



Long Agribusiness

PARTS BOOK



LANDTRAC TRACTOR

MODELS 330 HST/390 HST



COMMON SENSE SOLUTION

Long Agribusiness, LLC
PO BOX 1139 • TARBORO, NC 27886 • (252) 823-4151

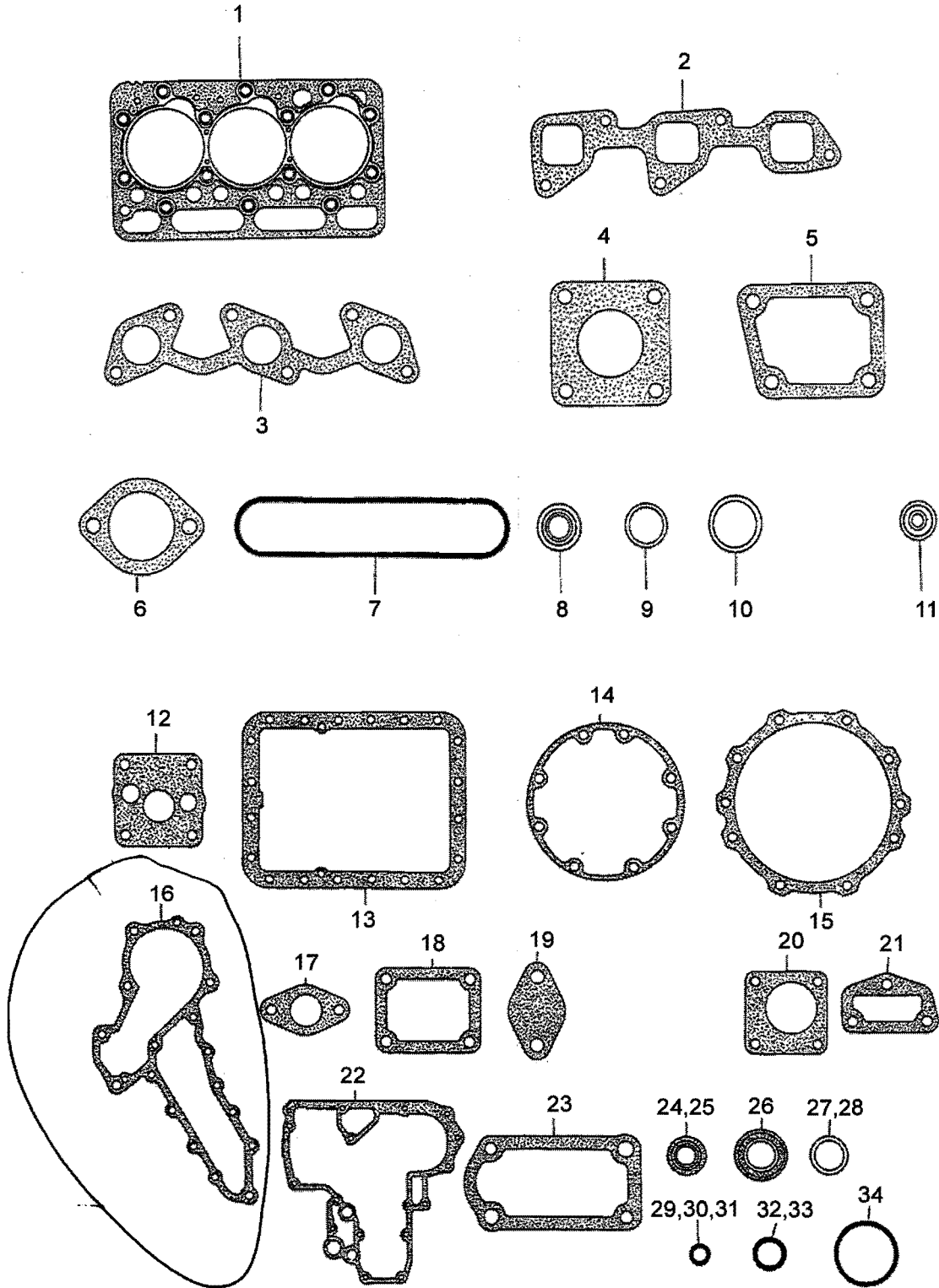
330 HST/390 HST

SECTION 1

GASKETS

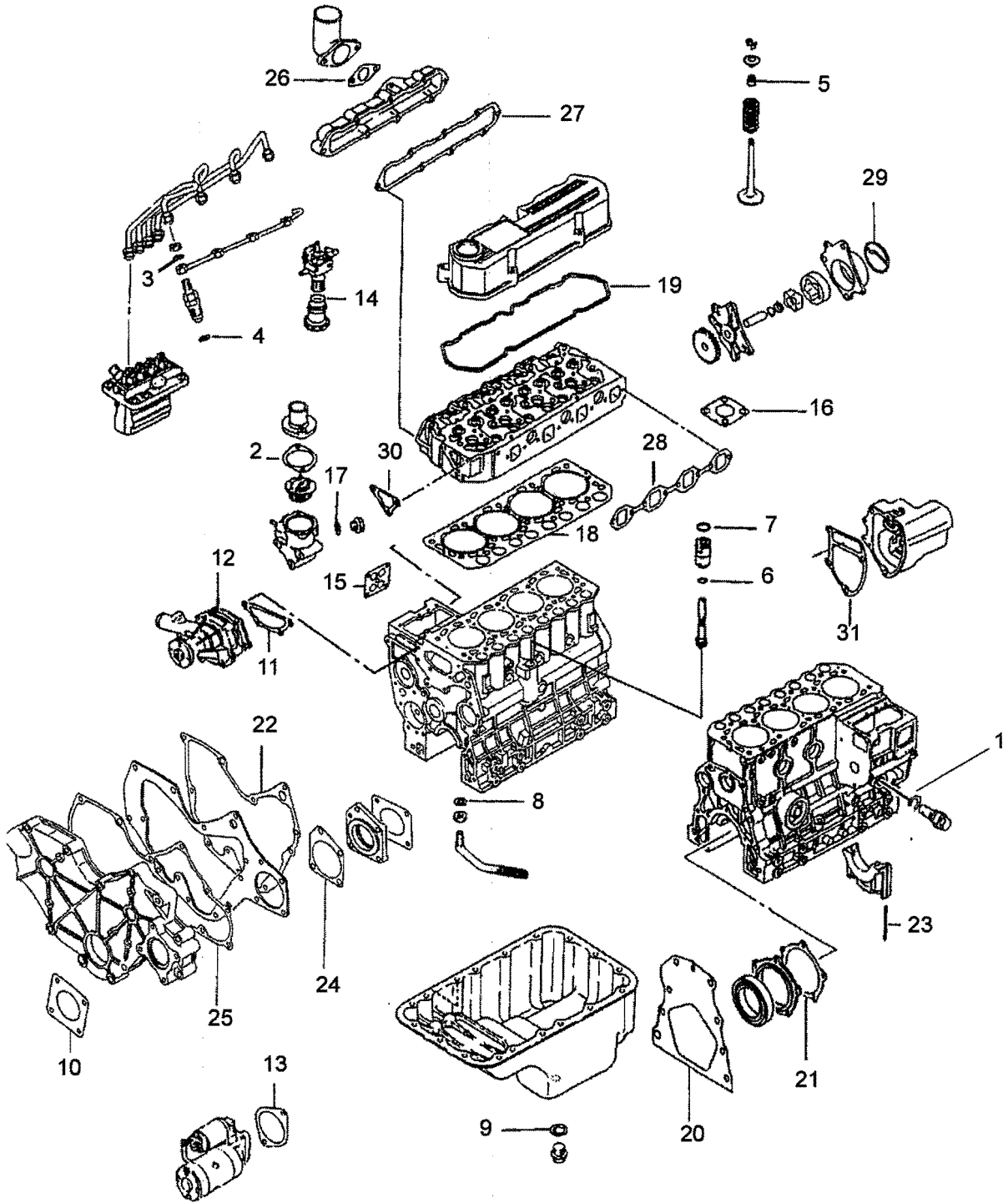
 **Long Agribusiness**

COMMON SENSE SOLUTIONS



330 HST

ITEM	LONG No.	VENDOR No.	DESCRIPTION	QTY.
				330 HST
1-34	906386		Gasket Kit	1
1	LG4705	E5600-03315	Gasket, Cylinder Head	1
2	LG4475	E5800-11821	Gasket, Intake Manifold	1
3	LG4910	E6520-12351	Gasket, Exhaust Manifold	1
4	LG4214	A1151125	Gasket, Muffler	1
5	LG4853	15521-7292-1	Gasket, Water Flange	1
6	LG4856	15321-7327-1	Gasket, Thermostat	1
7	LG4768	15521-1452-2	Gasket, Head Cover	1
8	LG4490	E6301-13151	Seal, Valve Stem	6
9	LG4680	15021-3366-1	Gasket	2
10	LG4825	E6300-53621	Gasket, Nozzles	3
11	LG4488	E6300-53651	Seal, Nozzles	3
12	LG4471	E5500-35152	Gasket, Oil Pump	1
13	LG4468	E5500-01622	Gasket, Oil Pan	1
14	LG4484	E6300-04362	Gasket, Bearing Case	1
15	LG4485	E6300-04821	Gasket, Bearing Case Cover	1
16	LG4849	15521-7343-1	Gasket, Water Pump	1
17	LG4569	15241-5214-1	Gasket, Fuel Pump	1
18	LG4632	15221-5166-1	Gasket, Pump Cover	1
19	LG4818	15521-0479-2	Gasket, Cover Fluewheel Housing	1
20	LG4728	15521-8813-1	Gasket, Hour Meter Unit	1
21	LG4727	15521-7333-1	Gasket, Water Flange	1
22	LG4715	E6300-01434	Gasket, Gear Case	1
23	LG4608	15221-5721-1	Gasket, Control Plate	1
24	LG4470	E5500-11302	Oil Seal Crankshaft	1
25	LG4628	15471-5798-1	Oil Seal	1
26	LG4469	E5500-04463	Oil Seal	1
27	LG4690	04717-01200	Sealing Washer, Drain Plug Oil Pan	1
28	LG4598	15601-9665-1	Gasket	1
29	LG4603	04811-00120	O-Ring, Control Plate	1
30	LG4711	04811-00150	O-Ring	2
31	LG4693	04811-00160	O-Ring, Oil Pan Filter	1
32	LG4805	04811-10300	O-Ring	1
33	LG4712	04811-00200	O-Ring	1
34	LG4713	04811-00360	O-Ring	1



**390 HST**

ITEM	LONG No.	VENDOR No.	DESCRIPTION	QTY. 390 HST
1-32	LG2822	31A94-30011	Gasket Kit	1
1	LG1585	F4202-22000	Gasket	1
2	LG2823	MD000551	Gasket	1
3	LG2693	MD068355	Gasket, Fuel Return	4
4	LG2692	MD070717	Gasket, Holder	4
5	LG2538	MD115472	Seal, Valve Stem	8
6	LG2662	MD701788	O-Ring	1
7	LG2664	MF520012	O-Ring	1
8	LG2658	MF660036	Gasket	1
9	LG2611	MF660065	Gasket, Oil Drain	2
10	LG2605	MM401-20601	Gasket, O/Pump Cover	2
11	LG2674	MM407-42202	Gasket, Water Pump	1
12	LG2672	MM409326	Gasket, Water Pump	1
13	LG2783	MM409-41901	Gasket, Starter	1
14	LG2731	MM409869	O-Ring, Filter Cup	1
15	LG2767	MM435249	Protector, Oil Inlet	1
16	LG3298	A1151101	Gasket, Muffler	1
17	LG1581	3063625901	Gasket	1
18	LG2529	31A01-33300	Gasket, Cylinder Head	1
19	LG2556	31A04-33202	Gasket, Rocker Cover	1
20	LG2594	31A07-02401	Gasket, Rear	1
21	LG2586	31A07-11701	Gasket, Oil Seal Case	1
22	LG2598	31A07-11901	Gasket, Front Plate	1
23	LG2579	31A07-12200	Seal, Side	4
24	LG2604	31A11-05201	Gasket, Housing	1
25	LG2600	31A11-11101	Gasket, Gear	1
26	LG2647	31A30-00801	Gasket, Inlet Pipe	1
27	LG2645	31A30-10902	Gasket, Inlet Cover	1
28	LG2650	31A32-01200	Gasket Exhaust	1
29	LG2654	31A35-02300	Packing, Body	1
30	LG2688	31A46-10101	Gasket, Thermo Case	1
31	LG2758	31A63-12201	Gasket, Governor Case	1
32	LG2825	32A91-05100	Gasket, Liquid (Not Shown)	1

Notes

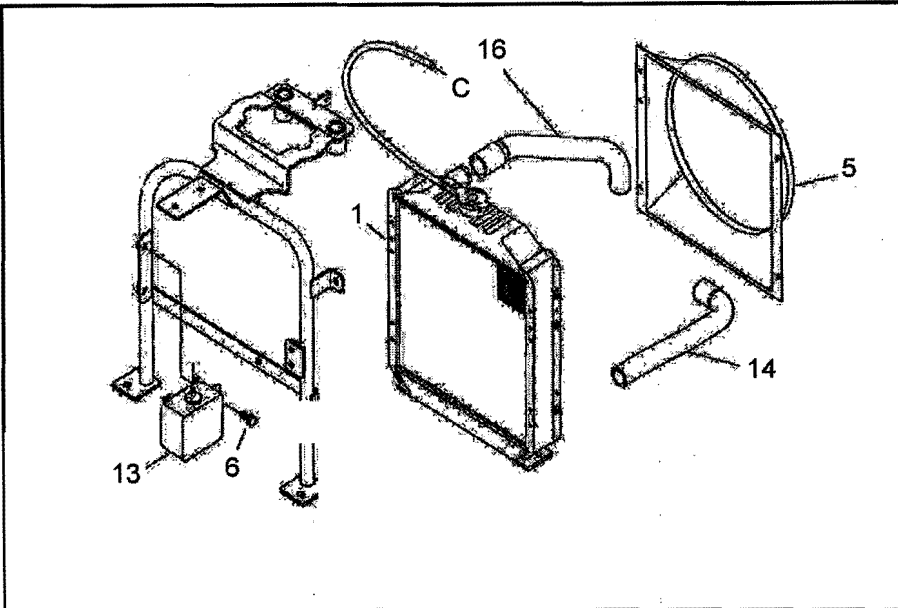
330 HST/390 HST

SECTION 2

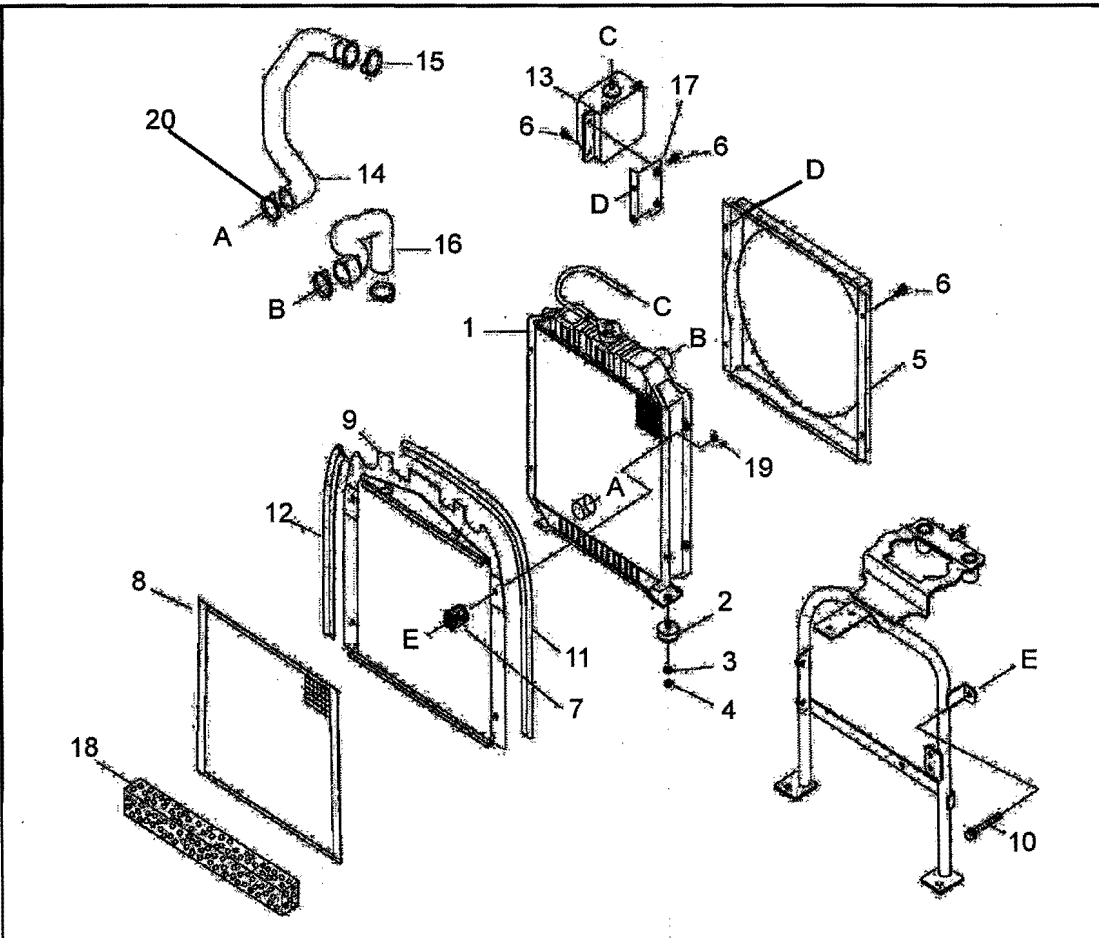
COOLING SYSTEM

 **Long Agribusiness**

COMMON SENSE SOLUTIONS



330 HST



390 HST

330HST / 390HST

ITEM	LONG No.	VENDOR No.	DESCRIPTION	QTY.	
				330HST	390HST
1	LG2076	A1170076	Radiator	-	1
-	LG4869	A1170223	Radiator	1	-
2	LG4870	A1970360	Rubber, Damp Mount	2	2
3	N630174S8	S361100013	Washer, Spring (10.2x18.4x2.5)	2	2
4	LG3827	S302100013	Nut, Hex (M10x1.25)	2	2
5	LG4218	A1170192	Shroud, Fan	-	1
-	LG4219	A1170196	Shroud, Fan	1	-
6	LG1897	S155082033	Bolt, Hex w/Washer (M8x1.25x20L)	6	9
7	LG2466	A1970258	Rubber, Cushion	1	1
8	LG4220	A1170221	Net Screen, Radiator	1	1
9	LG4374	A1170224	Plate	1	1
10	LG4871	S151086533	Bolt, Hex	1	1
11	LG2083	A1170101	Strip, Weather	1	1
12	LG2081	A1170095	Strip, Weather	1	1
13	LG1522	A1170031	Tank, Reservoir	1	1
14	LG2078	A1170082	Hose, Outlet	-	1
-	LG4222	A1170191	Hose, Outlet	1	-
15	LG1046	A1970201G	Clamp, Hose	4	4
16	LG3302	A1170083	Hose, Inlet	-	1
-	LG4223	A1170195	Hose, Inlet	1	-
17	LG2082	A1170099	Plate	-	1
18	LG2084	A1170102	Seal, Radiator w/Washer (M10x1.5x65L)	1	1
19	LG1867	S311080013	Nut	1	1
20	LG4940	A1970201F	Clamp Hose	1	1

Notes



330 HST/390 HST

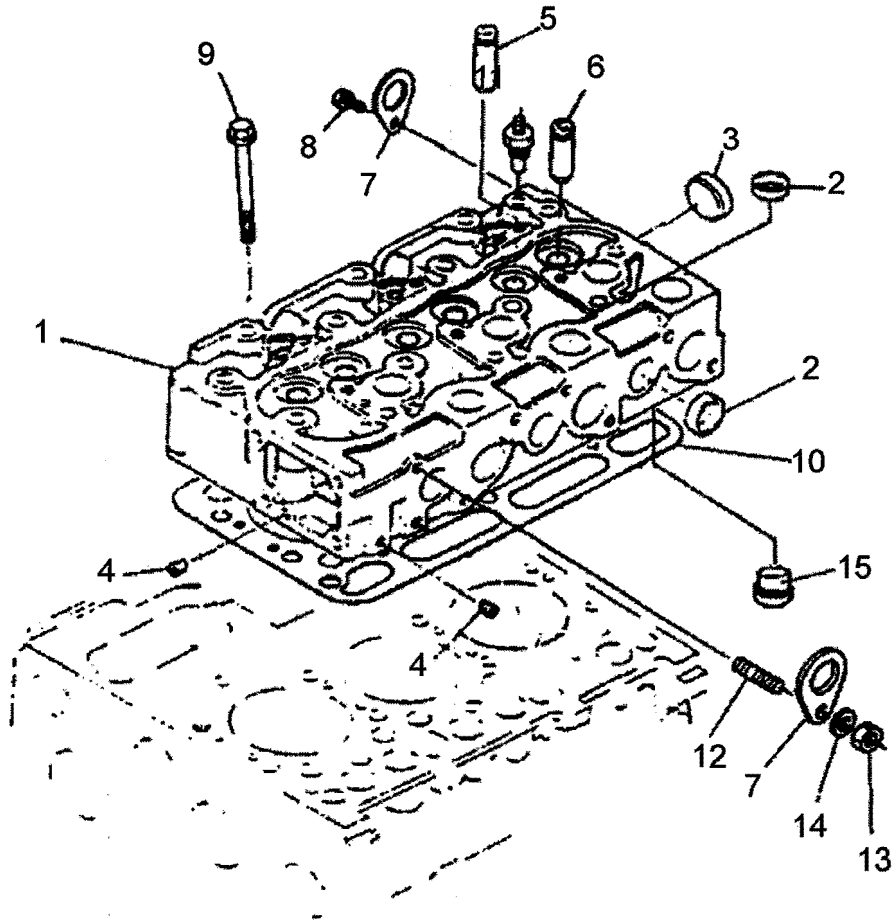
SECTION 3

ENGINE
330HST
3A1 - 3A-13

390HST
3B1 - 3B14

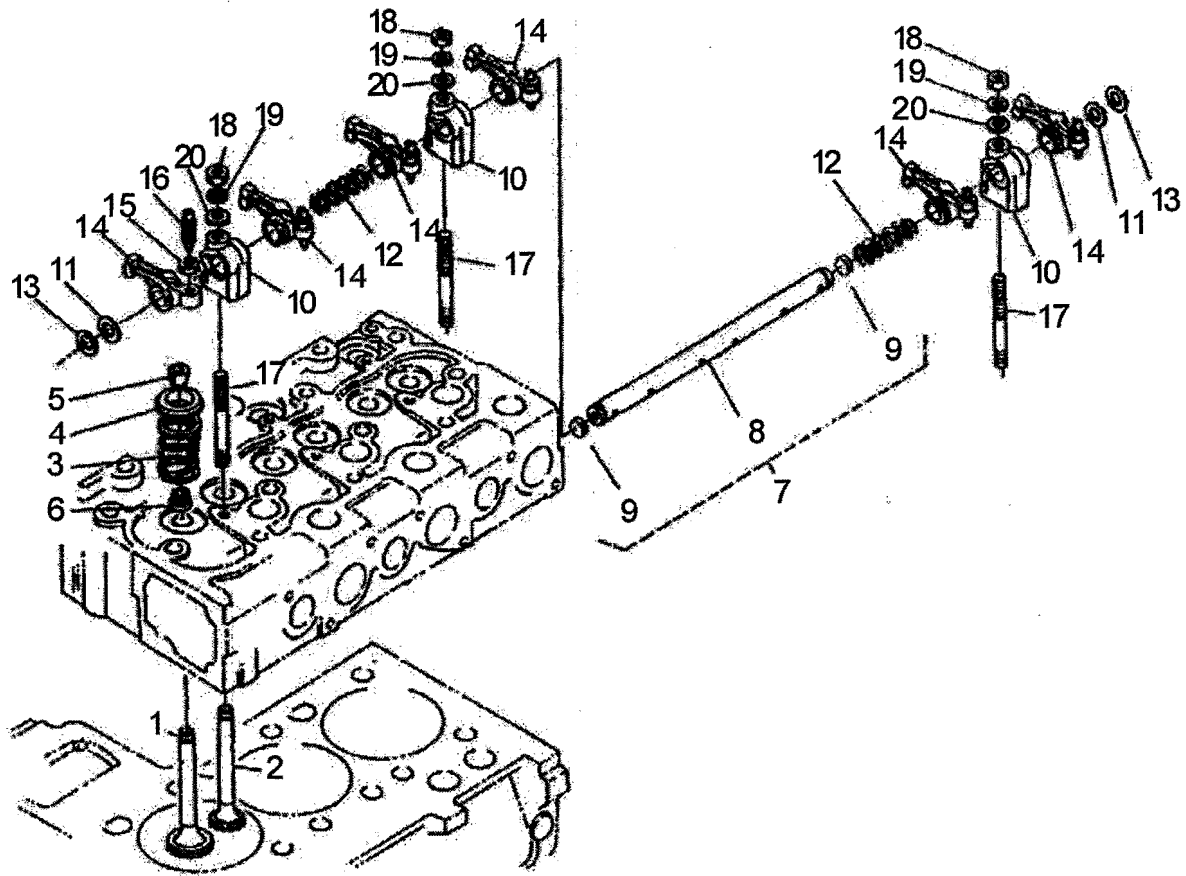
 **Long Agribusiness**

COMMON SENSE SOLUTIONS



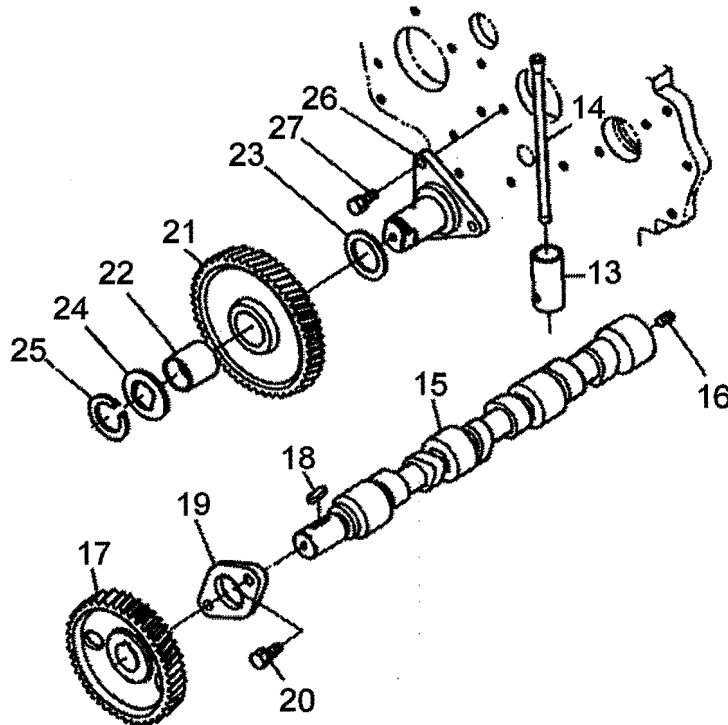
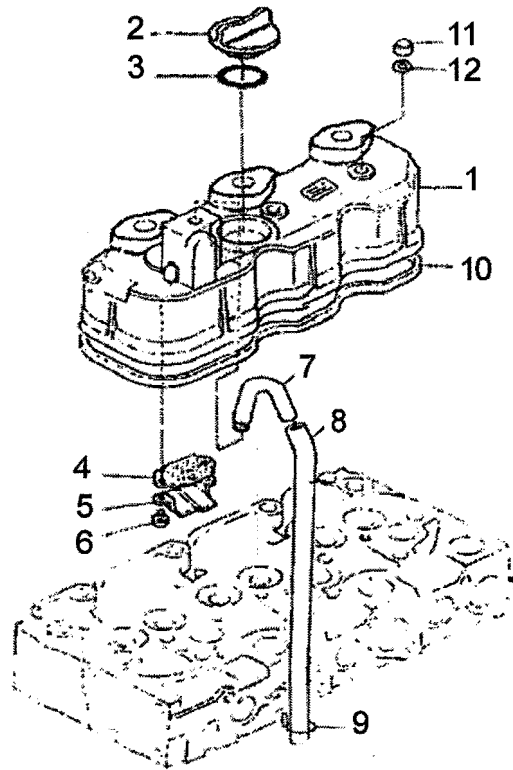
**330 HST**

ITEM	LONG No.	VENDOR No.	DESCRIPTION	QTY.
				330 HST
1-6	LG4695	E5600-03045	Assembly, Cylinder Head	1
1	LG4696	E5600-03115	Cylinder Head	1
2	LG4697	15221-0337-3	Cap, Sealing	9
3	LG4698	15221-0349-3	Cap, Sealing	1
4	LG4699	15221-9602-2	Plug	2
5	LG4700	E6301-13581	Guide, Inlet Valve	3
6	LG4701	E6301-13561	Guide, Exhaust Valve	3
7	LG4702	15221-0175-1	Hook, Engine	2
8	LG4703	01123-50816	Bolt, w/Washer	1
9	LG4704	E6300-03453	Bolt, Cylinder Head	14
10	LG4705	E5600-03315	Gasket, Cylinder Head	1
11	LG4706	E6300-32831	Temperature Switch	1
12	LG4707	01513-50816	Stud	1
13	LG4564	02156-50080	Nut	1
14	LG4565	04512-50080	Washer, Spring	1
15	LG4708	E6301-03147	Hot Plug	3



**330 HST**

ITEM	LONG No.	VENDOR No.	DESCRIPTION	QTY.
				330 HST
1	LG4738	E6301-13111	Valve, Inlet	3
2	LG4739	E6301-13121	Valve, Exhaust	3
3	LG740	15521-1324-2	Spring, Valve	6
4	LG4741	E5500-13332	Retainer, Valve Spring	6
5	LG4742	E5500-13362	Cotter, Valve Spring	12
6	LG4490	E6301-13151	Seal, Valve Stem	6
7-16	LG4743	E5800-14001	Rocker Arm Shaft Assembly	1
7	LG4744	E5800-14051	Shaft Assembly, Rocker Arm	1
8	LG4745	E5800-14261	Shaft, Rocker	1
9	LG4746	E6301-14331	Cap, Sealing	2
10	LG4747	E6301-14351	Bracket, Rocker Arm	3
11	LG4748	E6301-14431	Washer, Plain	2
12	LG4749	E6301-14311	Spring, Rocker Arm	2
13	LG4750	04612-00191	Circlip	2
14	LG4751	E6301-14111	Rocker Arm	6
15	LG4752	15021-1424-1	Nut, Adjusting	6
16	LG4753	E5500-14232	Screw, Adjusting	6
17	LG4754	E6301-91501	Stud, Rocker Arm	3
18	LG4755	02176-50100	Nut	3
19	LG4756	04512-50100	Washer, Spring	3
20	LG4757	04012-50100	Washer, Plate	3

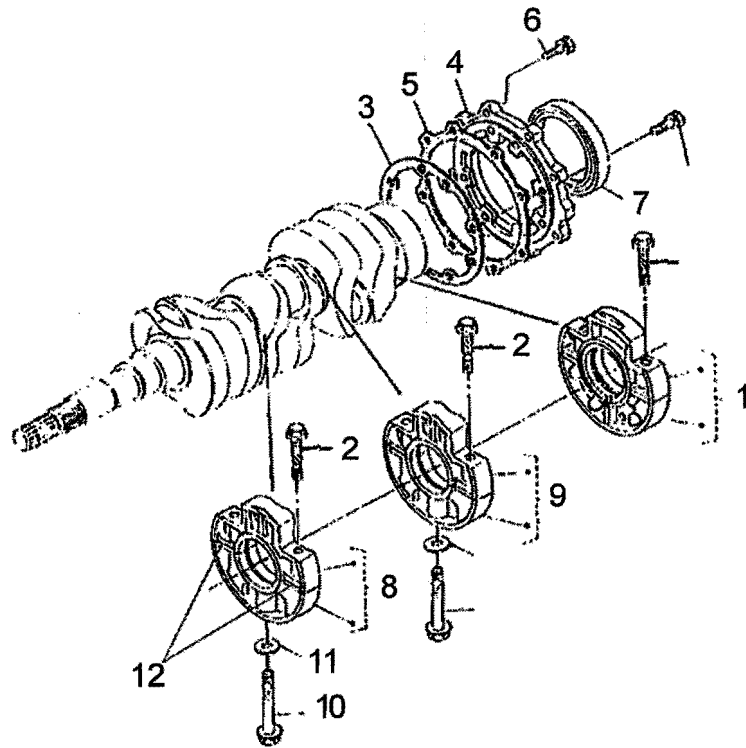


**330 HST**

ITEM	LONG No.	VENDOR No.	DESCRIPTION	QTY. 330 HST
1-7	LG4758	E5800-14502	Cover Assembly, Rocker	1
1	LG4759	E5800-14512	Cover, Cylinder	1
2	LG4760	15221-3314-2	Plug, Oil Filter	1
3	LG4761	04811-50300	O-Ring	1
4	LG4762	15521-0514-1	Plate Element 1	1
5	LG4763	15521-0537-1	Oil Shield, Breather	1
6	LG4764	15521-9331-1	Screw W/Washer	2
7	LG4765	E5205-05552	Joint, Breather Pipe	1
8	LG4766	15521-0551-1	Pipe, Breather	1
9	LG4767	15341-0559-1	Clamp, Pipe	1
10	LG4768	15521-1452-2	Gasket, Head Cover	1
11	LG4769	E6301-92331	Nut, Cap	3
12	LG4770	E6301-3361	Gasket	3
13	LG4771	E5500-15553	Tappet	6
14	LG4773	E6300-15113	Push Rod	6
15-19	LG4774	E5800-16014	Camshaft Assembly	1
15	LG4775	E5800-16154	Camshaft	1
16	LG4776	06350-00607	Plug	2
17	LG4777	15521-1651-1	Gear, Camshaft	1
18	LG4778	05712-00720	Key	1
19	LG4779	E5500-16272	Stopper, Camshaft	1
20	LG4780	01123-50818	Bolt W/Washer	2
21-22	LG4781	E6300-24012	Gear Assembly, Idle	1
21	LG4782	E6300-24212	Idle Gear	1
22	LG4783	E6300-24281	Bush, Idle Gear	1
23	LG4784	E6300-24361	Collar 1	1
24	LG4785	E6300-24371	Collar 2	1
25	LG4786	E6300-24321	Circlip	1
26	LG4787	E6300-24251	Shaft, Idle Gear	1
27	LG4692	01654-50820	Flange Bolt	3

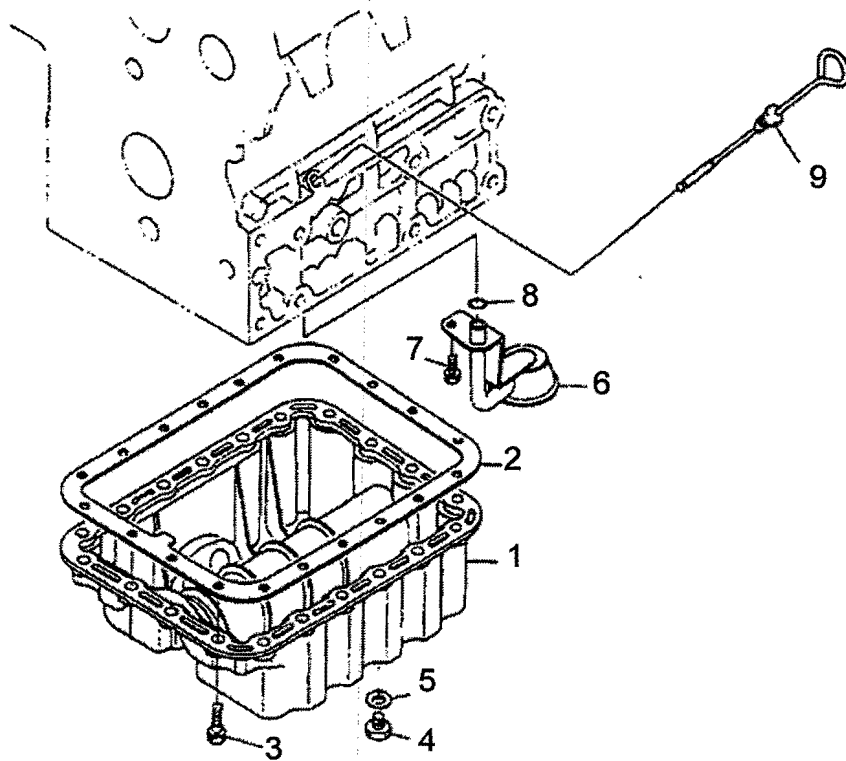
330 HST

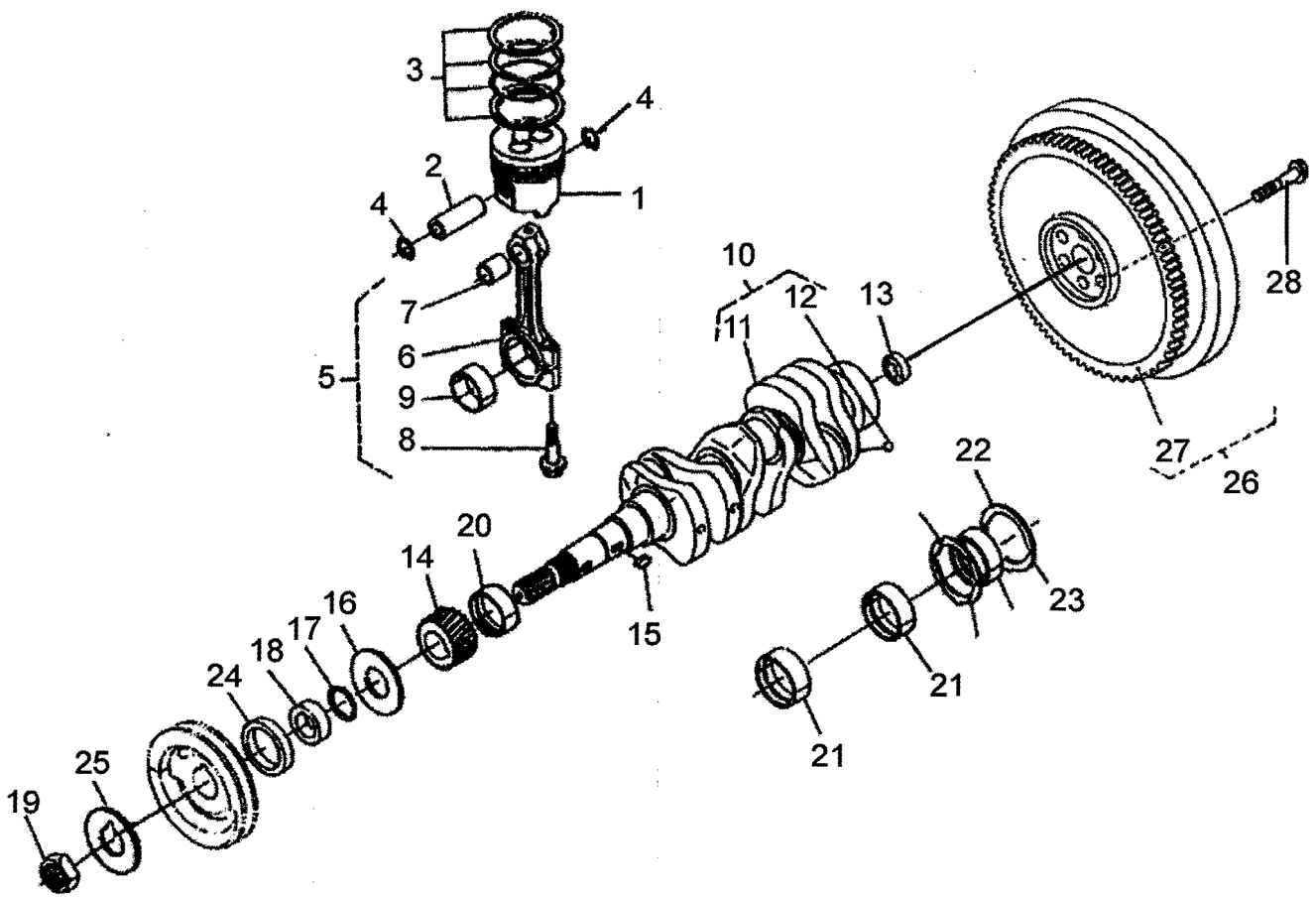
ITEM	LONG No.	VENDOR No.	DESCRIPTION	QTY.
				330 HST
1	LG4730	E6300-04044	Case Main Bearing Assembly	1
2	LG4731	E6300-04542	Bolt1, Bearing Case	6
3	LG4484	E6300-04362	Gasket, Bearing Case	1
4	LG4732	E6300-04812	Cover, Main Bearing Case	1
5	LG4485	E6300-04821	Gasket, Case Cover	1
6	LG4733	01654-50830	Flange Bolt W/Pin	16
7	LG4469	E5500-04463	Seal, Oil	1
8	LG4734	E6300-04054	Case Main Bearing Assembly	1
9	LG4735	E6300-04064	Case Main Bearing Assembly	1
10	LG4736	15291-0456-2	Bolt 2, Bearing Case	2
11	LG4737	15521-9402-1	Washer	2
12	LG4673	05012-00408	Pin, Straight	6



330 HST

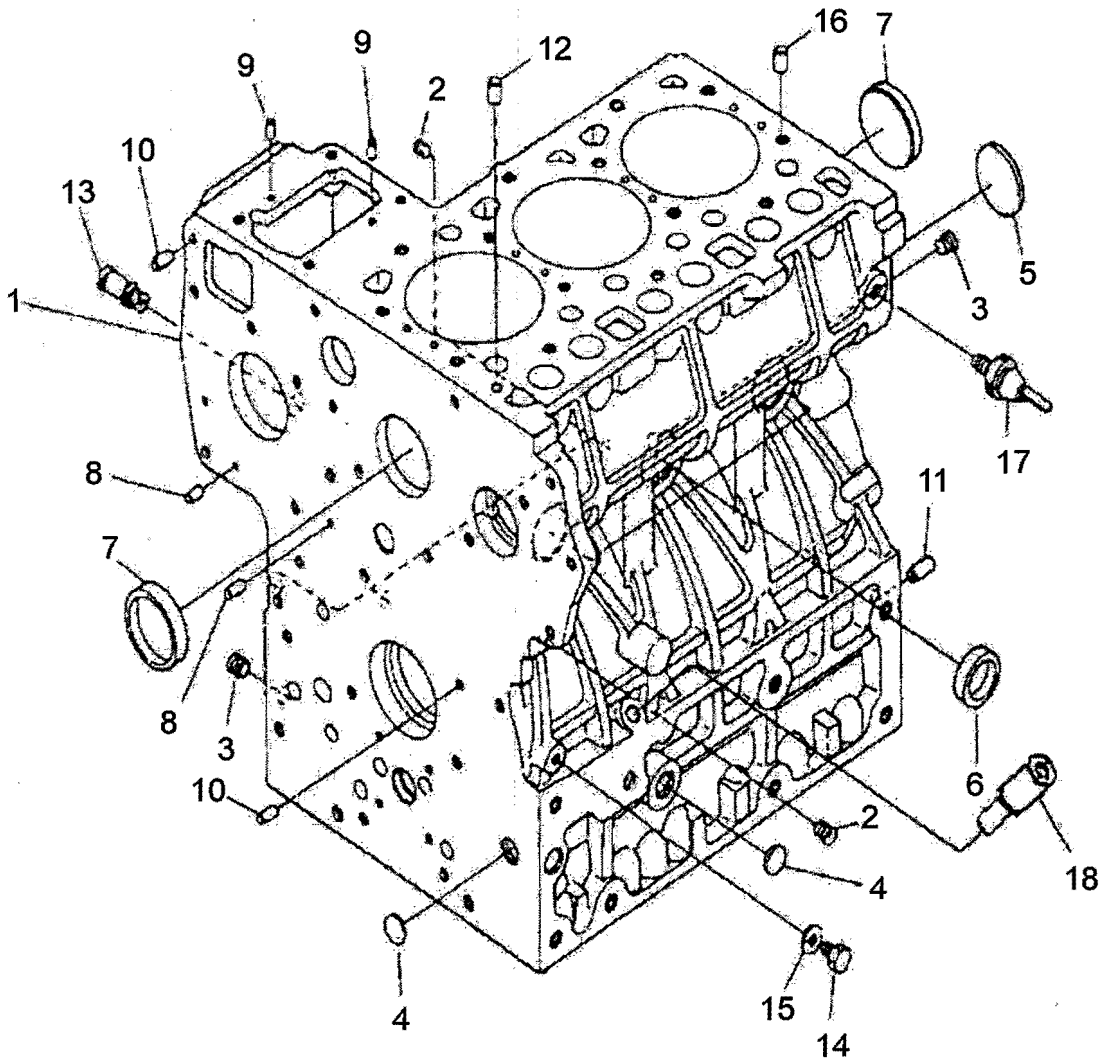
ITEM	LONG No.	VENDOR No.	DESCRIPTION	QTY.
				330 HST
1	LG4687	E5900-01613	Oil Pan	1
2	LG4468	E5500-01622	Gasket, Oil Pan	1
3	LG4688	01674-51032	Flange Bolt	20
4	LG4689	15221-3375-2	Drain Plug	2
5	LG4690	04717-01200	Washer, Seal	2
6	LG4691	E6200-32112	Filter 1, Oil	1
7	LG4692	01654-50820	Flange Bolt	1
8	LG4693	04811-00160	O-Ring	1
9	LG4694	E5900-36413	Gauge, Oil	1





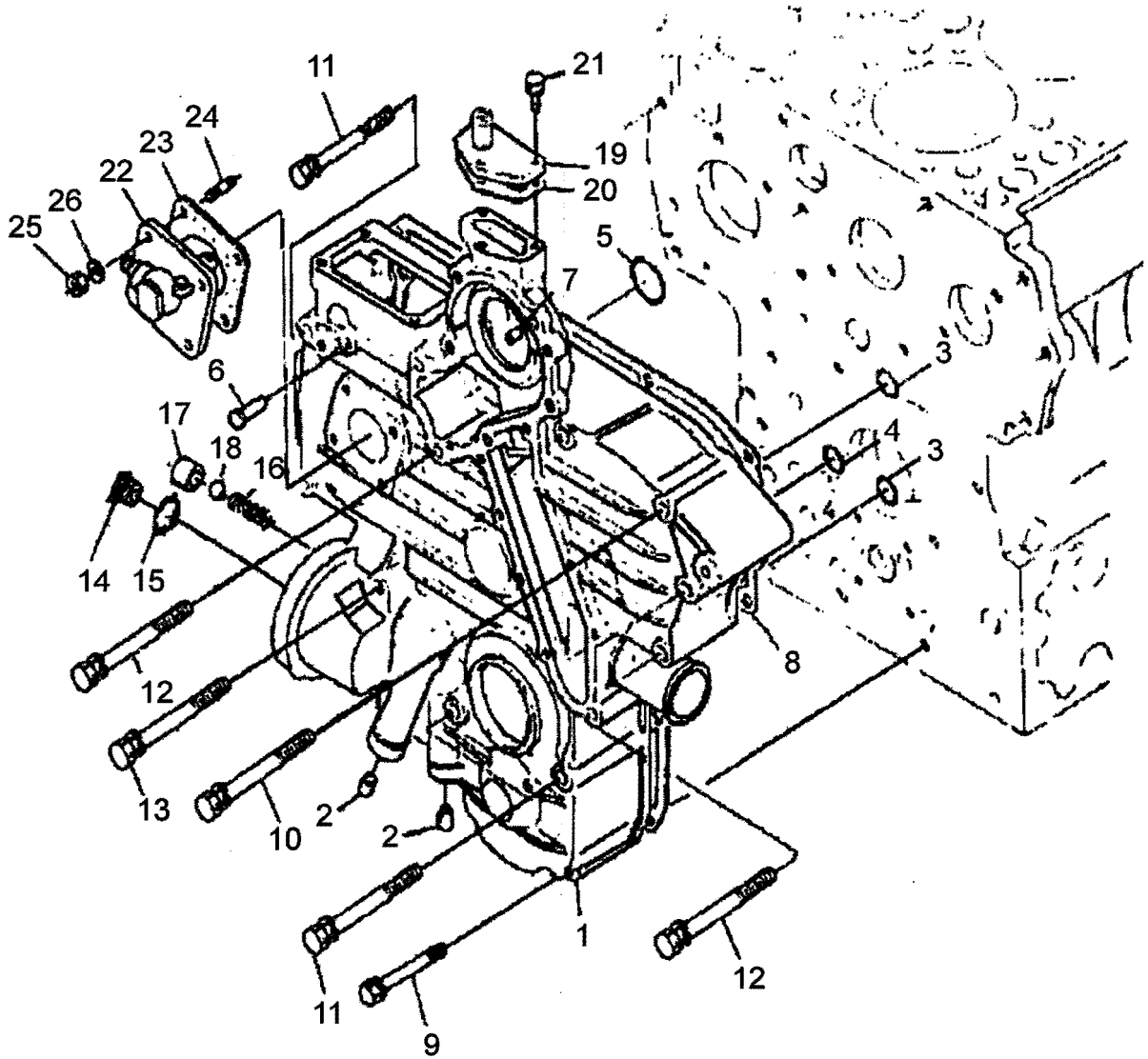
330 HST

<i>ITEM</i>	<i>LONG No.</i>	<i>VENDOR No.</i>	<i>DESCRIPTION</i>	<i>QTY.</i>
				330 HST
1-2	LG4788	E6301-21015	Piston Assembly	3
1	LG4789	E6301-21114	Piston	3
2	LG4790	E6300-21312	Piston Pin	3
3	LG4492	E6300-21053	Ring Set, Piston	3
4	LG4794	E6300-21332	Circlip	6
5	LG4795	E6300-22015	Rod Assembly, Connecting	3
6	LG4796	E6300-22113	Connecting Rod	3
7	LG4797	E6300-21353	Bush, Piston Pin	3
8	LG4798	E5500-22142	Bolt, Connectin Rod	6
9	LG4486	E6300-22312	Metal, Crank Pin	6
10	LG4799	E5610-23015	Crankshaft Assembly	1
11	LG4800	E5610-23115	Crankshaft	1
12	LG4801	07715-00401	Ball	3
13	LG4802	08121-06002	Bearing, Ball	1
14	LG4803	E6200-24112	Gear, Crankshaft	1
15	LG4778	05712-00720	Key	1
16	LG4804	15471-2331-1	Oil Slinger	1
17	LG4805	04811-10300	O-Ring	1
18	LG4806	19202-2325-1	Collar, Crankshaft	1
19	LG4807	15221-2336-1	Nut, Crankshaft	1
20	LG4478	E6200-23472	Metal 1, Crankshaft	1
21	LG4479	E6200-23482	Metal 2, Crankshaft	6
22	LG4499	15521-2353-1	Metal, Side	1
23	LG4501	19202-2354-1	Metal, Side 2	2
24	LG4470	E5500-11302	Seal, Oil	1
25	LG4808	15221-+2338-1	Washer, Crankshaft	1
26	LG4809	E5615-25012	Flywheel Assembly	1
27	LG4811	15221-6382-4	Gear, Ring	1
28	LG4812	E5500-25164	Bolt, Flywheel	6



330 HST

<i>ITEM</i>	<i>LONG No.</i>	<i>VENDOR No.</i>	<i>DESCRIPTION</i>	<i>QTY.</i>
				330 HST
1-13	LG4665	E5600-01018	Block Assembly, Cylinder	1
1	LG4666	E5600-01117	Cylinder Block	1
2	LG4667	15521-9602-2	Plug	5
3	LG4668	15521-9603-2	Plug	2
4	LG4669	06311-75018	Plug	3
5	LG4670	06311-75045	Plug	1
6	LG4671	15221-0338-3	Cap Sealing	5
7	LG4672	15221-0339-2	Cap, Sealing	2
8	LG4673	05012-00408	Pin, Straight	2
9	LG4674	05012-00609	Pin, Straight	2
10	LG4675	05012-00612	Pin, Straight	2
11	LG4676	05012-01018	Pin, Straight	1
12	LG4677	15221-3365-1	Pin, Pipe	1
13	LG4678	E5500-73342	Pipe	1
14	LG4679	15221-3361-1	Plug	1
15	LG4680	15021-3366-1	Gasket	1
16	LG4681	E6301-33812	Pin, Pipe	1
17	LG4472	E5500-39013	Oil Pressure Switch	1
18	LG4686	E6300-35692	Guide, Oil Gauge	1

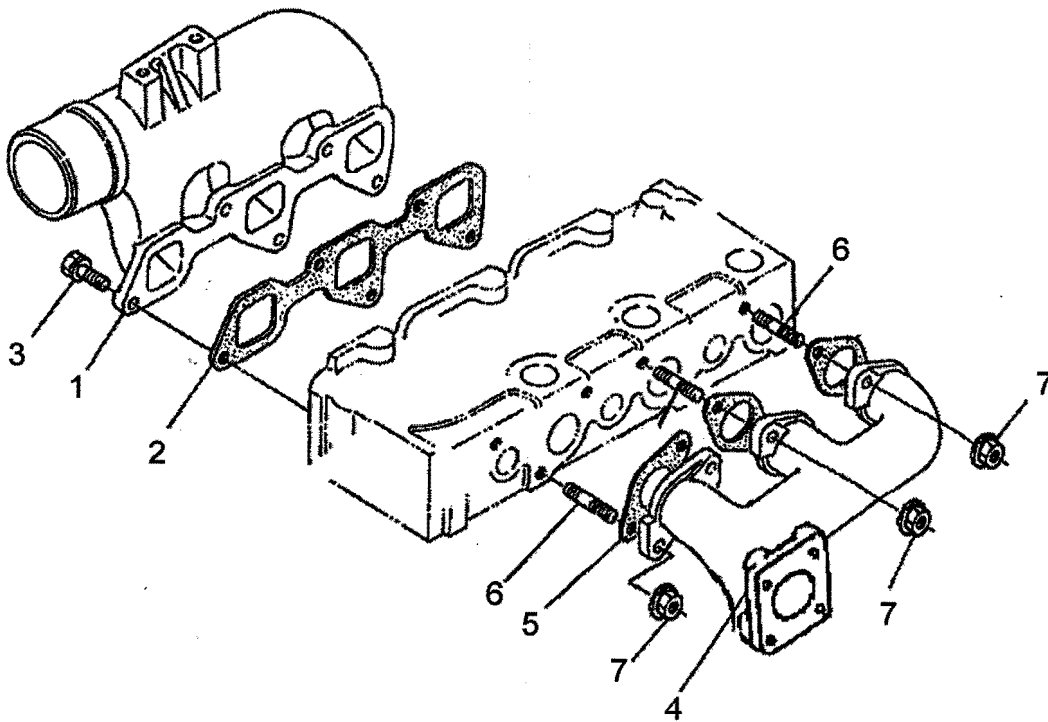


330 HST

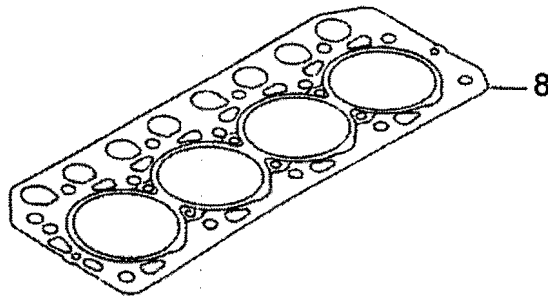
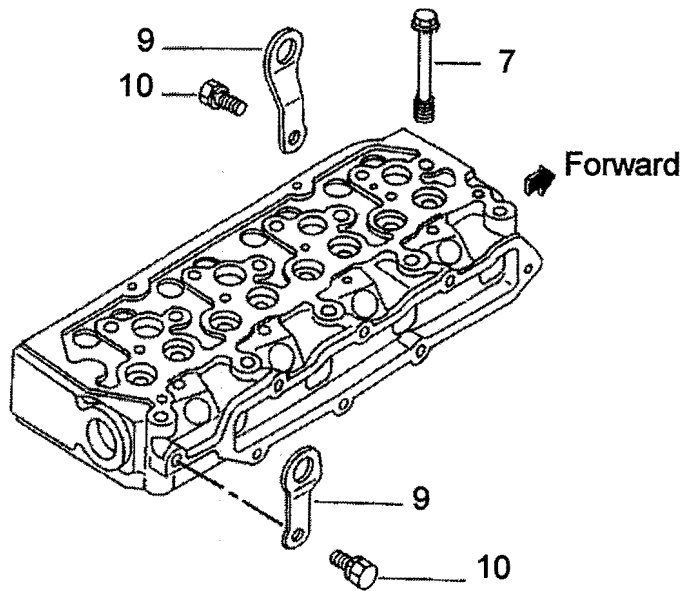
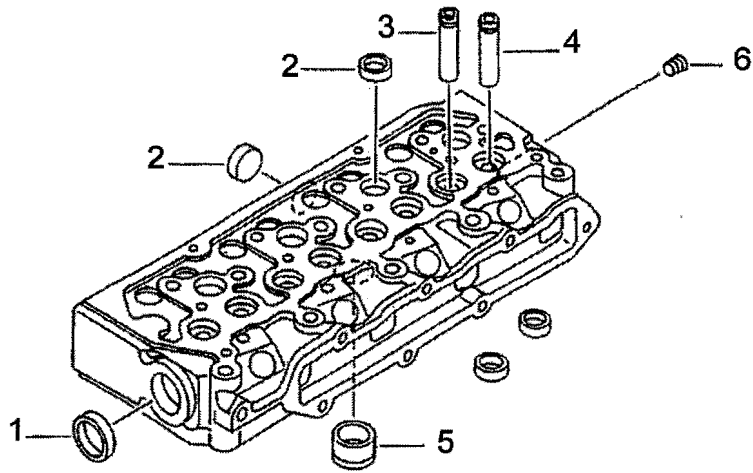
<i>ITEM</i>	<i>LONG No.</i>	<i>VENDOR No.</i>	<i>DESCRIPTION</i>	<i>QTY.</i> 330 HST
1-7	LG4709	E6313-04012	Assembly, Gear Case	1
1	LG4710	E6313-04112	Case, Gear	1
2	LG4668	15521-9603-2	Plug	2
3	LG4711	04811-00150	O-Ring	2
4	LG4712	04811-00200	O-Ring	1
5	LG4713	04811-00360	O-Ring	1
6	LG4714	15221-5628-2	Pin, Start Spring	1
7	LG4675	05012-00612	Pin, Straight	2
8	LG4715	E6300-04134	Gasket, Gear Case	1
9	LG4716	01123-50860	Bolt W/Washer	2
10	LG4717	01123-50870	Bolt W/Washer	5
11	LG4718	01123-50880	Bolt W/Washer	3
12	LG4719	01123-50885	Bolt W/Washer	3
13	LG4720	01123-50895	Bolt W/Washer	2
14	LG4721	15221-3229-1	Pipe, Joint	1
15	LG4722	04011-50180	Washer, Plain	1
16	LG4723	15241-6395-2	Spring	1
17	LG4724	E5500-36932	Seat, Valve	1
18	LG4725	07715-03213	Ball	1
19	LG4726	15521-7332-1	Flange, Water Return	1
20	LG4727	15521-7333-1	Gasket	1
21	LG4609	01023-50620	Bolt W/Washer	3
22	LG4466	E5205-58812	Assembly, Hour Meter	1
23	LG4728	15221-8813-1	Gasket	1
24	LG4729	15221-8821-1	Stud	4
25	LG4571	02056-50060	Nut	4
26	LG4572	04512-50060	Washer, Spring	4

330 HST

<i>ITEM</i>	<i>LONG No.</i>	<i>VENDOR No.</i>	<i>DESCRIPTION</i>	<i>QTY.</i>
				330 HST
1	LG4865	E5800-11765	Manifold, Inlet	1
2	LG4475	55800-11821	Gasket, Inlet Manifold	1
3	LG4562	01123-50822	Bolt W/Washer	5
4	LG4866	E5900-12312	Manifold, Exhaust	1
5	LG4910	E6520-12351	Gasket, Exhaust Manifold	1
6	LG4563	01513-50822	Stud	6
7	LG4868	02751-50080	Nut, Flange	6

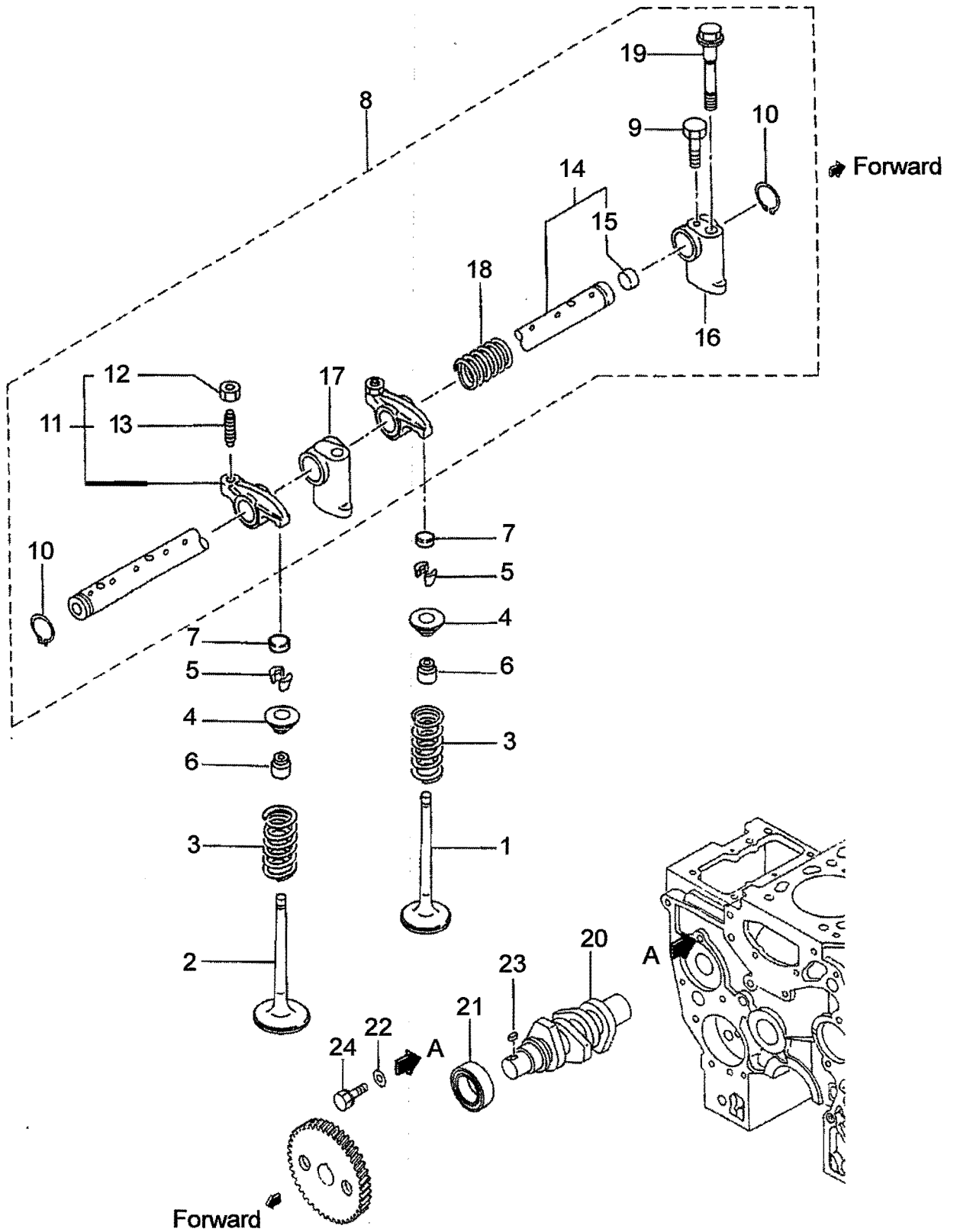


INTENTIONALLY LEFT BLANK



390 HST

<i>ITEM</i>	<i>LONG No.</i>	<i>VENDOR No.</i>	<i>DESCRIPTION</i>	<i>QTY.</i>
				390 HST
1-6	LG2531	31A01-51040	Head Assembly, Cylinder	1
1	LG2523	MD000245	Cap, Sealing	1
2	LG2524	MF665538	Cap, Sealing	7
3	LG2525	31A01-02500	Guide, Exhaust Valve	4
4	LG2526	31A01-02600	Guide, Inlet Valve	4
5	LG2532	31A03-01500	Jet, Combustion	4
6	LG2528	MS661140	Plug, Taper	1
7	LG2521	31A01-11100	Bolt, Cylinder Head	14
8	LG2529	31A01-33300	Gasket, Cylinder Head	1
9	LG2530	MM408470	Hanger, Engine	2
10	LG1827	F1805-10020	Bolt, W/Washer	2

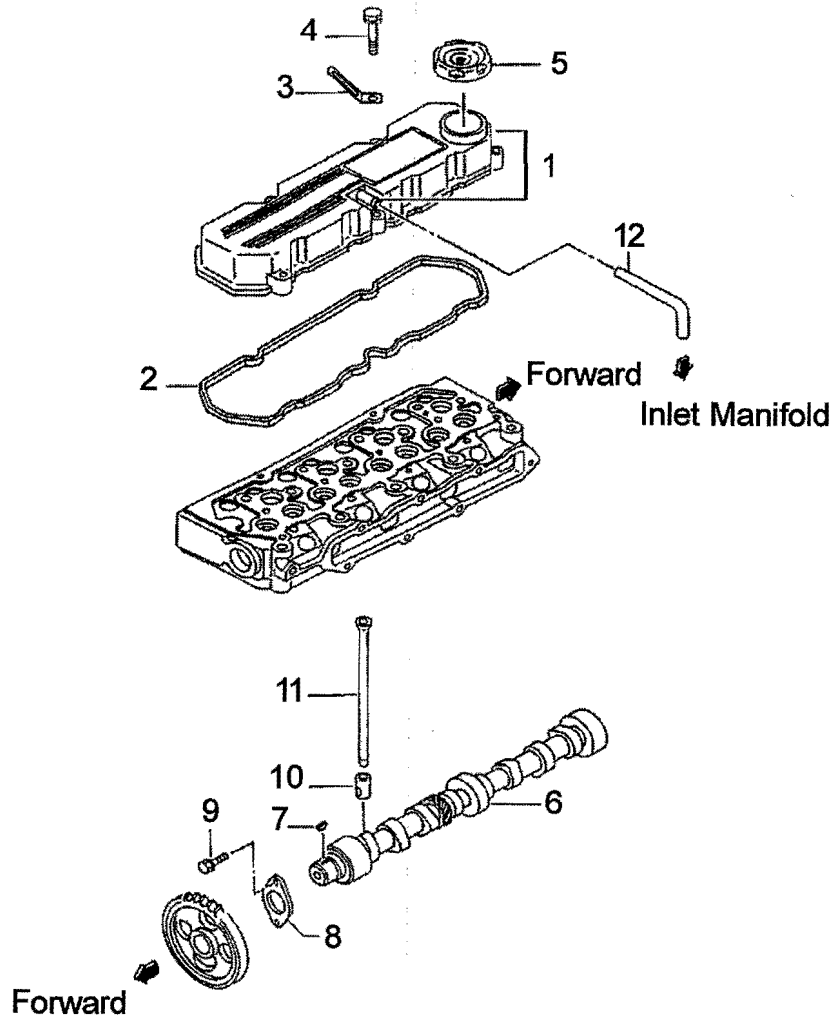


**390 HST**

<i>ITEM</i>	<i>LONG No.</i>	<i>VENDOR No.</i>	<i>DESCRIPTION</i>	<i>QTY.</i> 390 HST
1	LG2533	31A04-30100	Valve, Inlet	4
2	LG2534	31A04-20200	Valve, Exhaust	4
3	LG2535	31A04-01301	Spring, Valve	8
4	LG2536	MM433306	Retainer, Valve Stem	8
5	LG2537	MD016483	Valve, Lock	16
6	LG2538	MD115472	Seal, Valve Stem	8
7	LG2539	31A04-00700	Cap, Valve	1
8	LG2540	31A04-30042	Rocker & Shaft Assembly	1
9	LG2541	F1035-05010	Bolt	1
10	LG2542	MF522010	Ring, Snap	2
11	LG2543	31A04-11023	Rocker Assembly	8
12	LG2544	F2325-08000	Nut, Jam	8
13	LG1663	32A04-02400	Screw, Rocker	8
14	LG2545	31A04-21010	Shaft Assembly, Rocker	1
15	LG2546	MD021204	Cap, Sealing	2
16	LG2547	31A04-34100	Bracket, Rocker Shaft	1
17	LG2548	31A04-34300	Bracket, Rocker Shaft	3
18	LG2549	32C04-04500	Spring, Rocker	3
19	LG2550	32C04-06100	Bolt, Rocker Bracket	4
20	LG2551	31A65-11200	Shaft, Fuel Injection Pump	1
21	LG2552	MD703856	Bearing, Radial Ball	1
22	LG2553	MD000425	Washer	1
23	LG2554	MF476018	Key, Sunk	1
24	LG1818	F1805-08016	BoIt, W/Washer	1

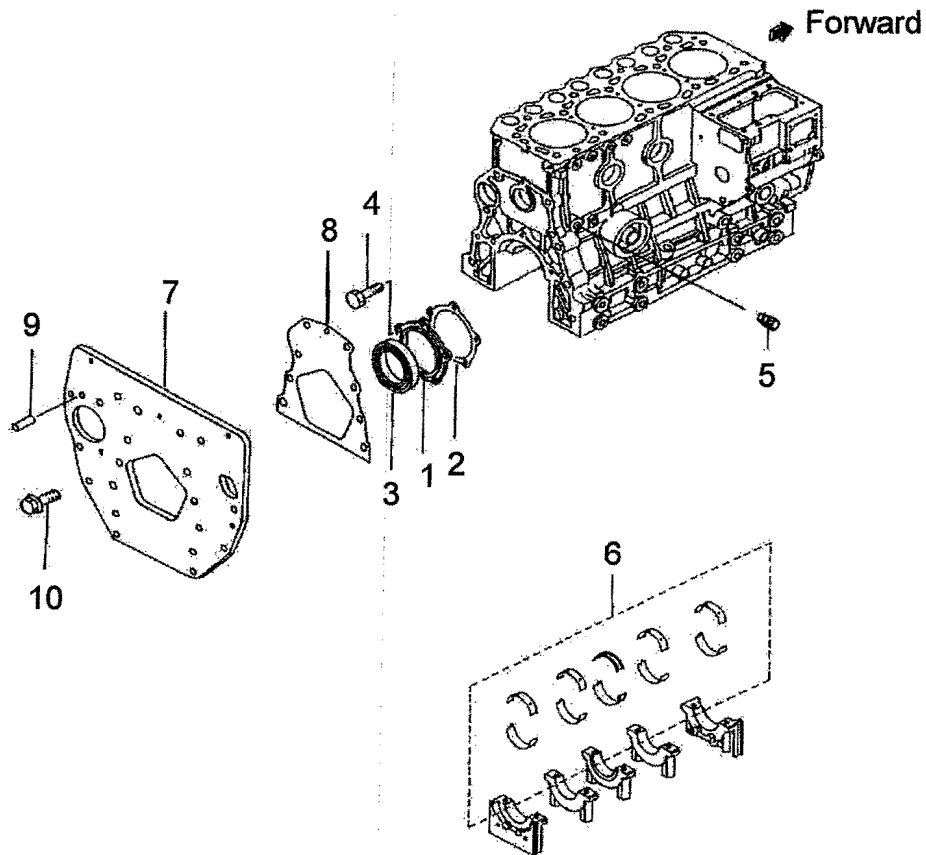
390 HST

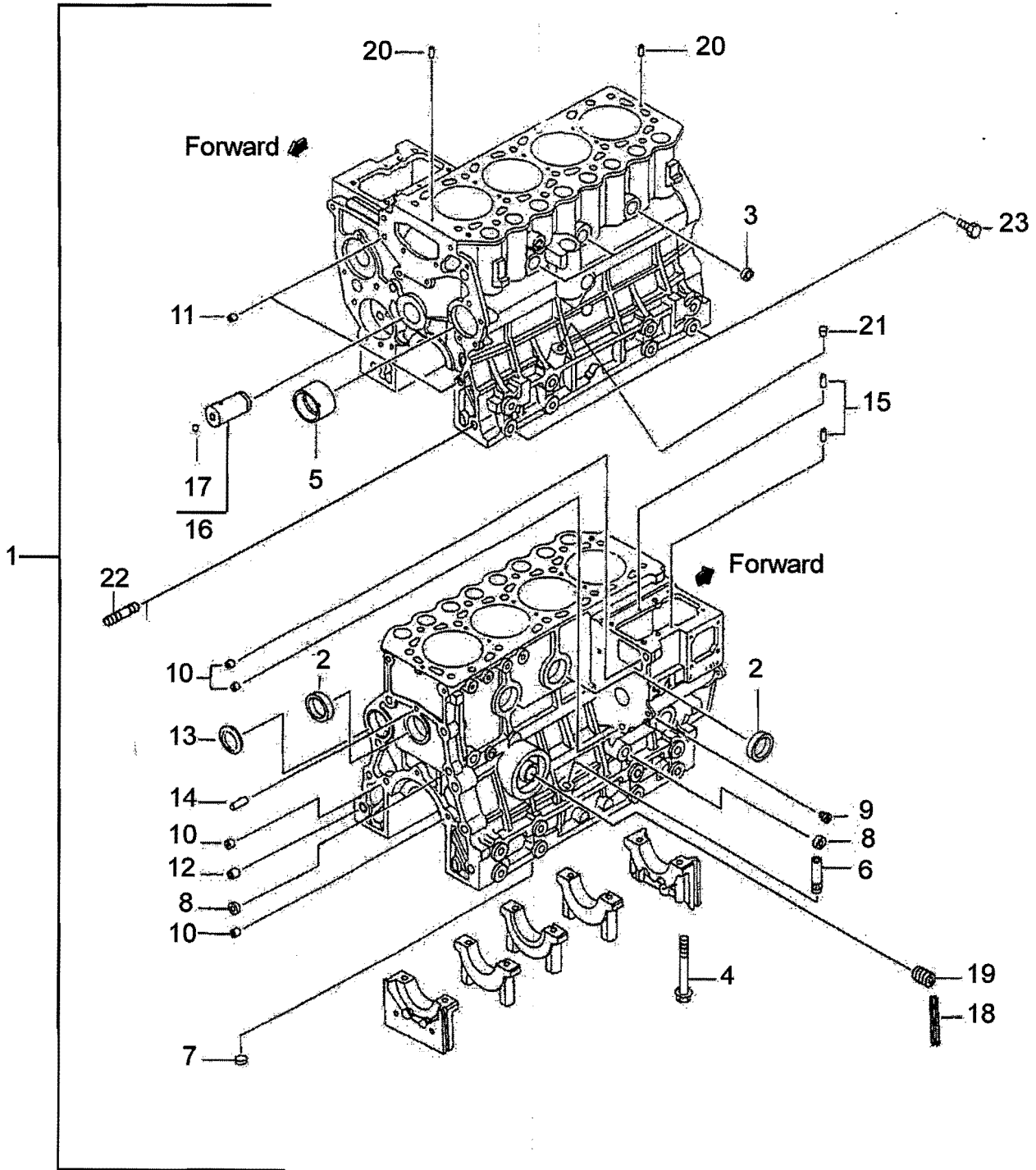
ITEM	LONG No.	VENDOR No.	DESCRIPTION	QTY.
				330 HST
1	LG2555	31A01-20031	Cover Assembly, Rocker	1
2	LG2556	31A04-33202	Gasket, Rocker Cover	1
3	LG2557	MS470059	Clip	1
4	LG1821	F1805-08040	Bolt, W/Washer	5
5	LG2558	MD008784	Cap, Oil Filter	1
6	LG2559	31A05-00201	Camshaft	1
7	LG2560	MF476215	Key, Woodruff	1
8	LG1647	30405-31402	Plate, Thrust	2
9	LG1818	F1805-08016	Bolt, W/Washer	2
10	LG2561	MM402737	Tappet	8
11	LG2562	31A05-01300	Rod, Push	8
12	LG2563	MM400380	Breather, Pipe	1



390 HST

ITEM	LONG No.	VENDOR No.	DESCRIPTION	QTY. 390 HST
1	LG2585	31A07-11601	Case, Oil Seal	1
2	LG2586	31A07-11701	Gasket, Oil Seal Case	1
3	LG2587	31A07-02300	Seal, Oil	1
4	LG1810	F1035-08020	Bolt	5
5	LG2588	MD000269	Plug, Taper	1
6	LG2589	MM437313	Metal Set - (Std.)	1
-	LG2590	MM437884	Metal Set - (.25)	1
-	LG2591	MM437885	Metal Set - (.50)	1
-	LG2592	MM437886	Metal Set - (.75)	1
7	LG2593	31A07-04500	Plate, Rear	1
8	LG2594	31A07-02401	Gasket, Rear	1
9	LG2595	MM408245	Pin, Knock	2
10	LG2596	31A08-04101	Bolt, Flange	10



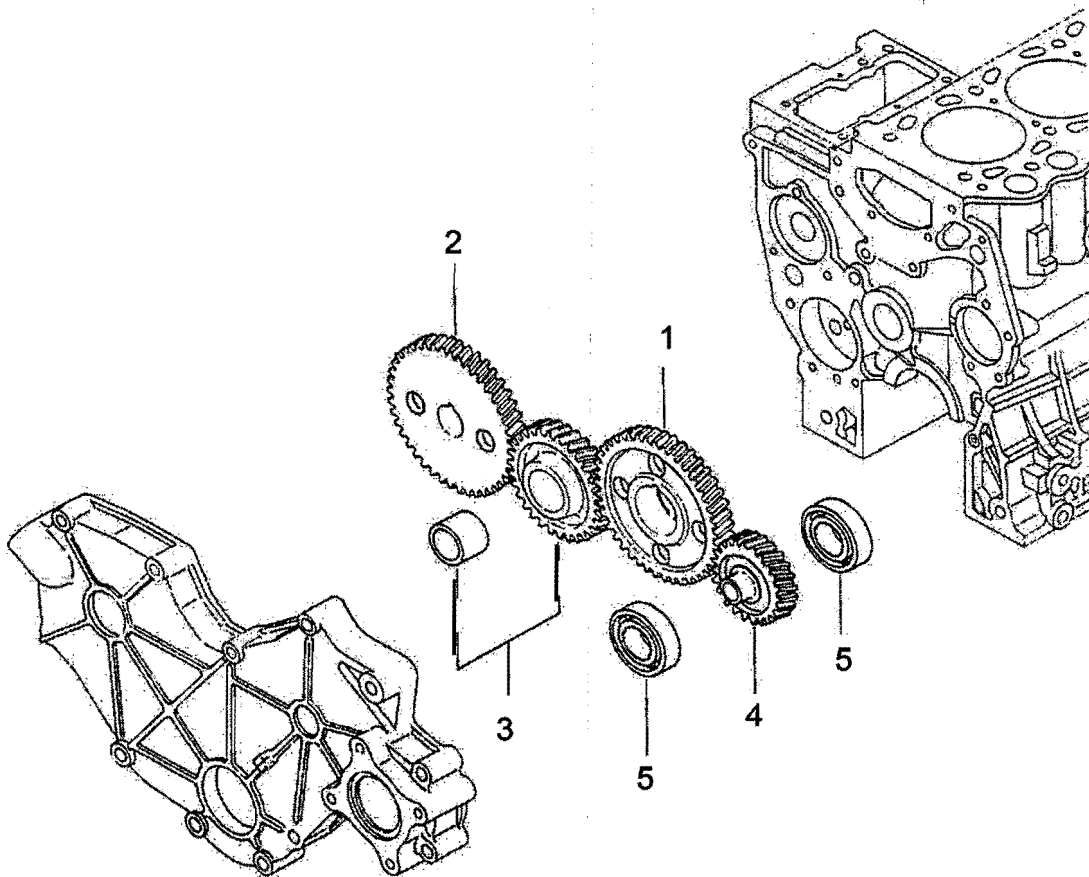


**390 HST**

ITEM	LONG No.	VENDOR No.	DESCRIPTION	QTY. 390 HST
1-23	LG2564	31A07-42010	Block Assembly, Cylinder	1
2	LG2565	04826-22000	Cap, Sealing	3
3	LG1549	04826-23500	Cap, Sealing	3
4	LG2566	31A07-00800	Bolt, Bearing Cap	10
5	LG2567	31A07-03100	Bush, Camshaft	1
6	LG2568	MM430613	Guide, Oil Level	1
7	LG2569	MF665532	Cap, Sealing	1
8	LG2570	MF665533	Cap, Sealing	1
9	LG2528	MS661140	Plug, Taper	1
10	LG2571	MS471104	Bushing, Knock	4
11	LG2572	MS471105	Bushing, Knock	2
12	LG2573	MS471110	Bushing, Knock	1
13	LG2574	MS5665511	Expansion Plug	1
14	LG2575	MF4724	Pin, Dowel	1
15	LG2576	MM409645	Pin, Dowel	2
16	LG2577	31A23-00051	Shaft Assembly, Idler	1
17	LG2578	F8000-08000	Ball, Steel	1
18	LG2579	31A07-12200	Seal, Side	4
19	LG2580	30L08-00700	Shaft, Oil Filter	1
20	LG2581	F2846-05000	Pin, Dowel	1
21	LG2582	MD024256	Plug, Taper	1
22	LG2583	31A07-02500	Stud	2
23	LG2584	F1035-12025	Bolt	4

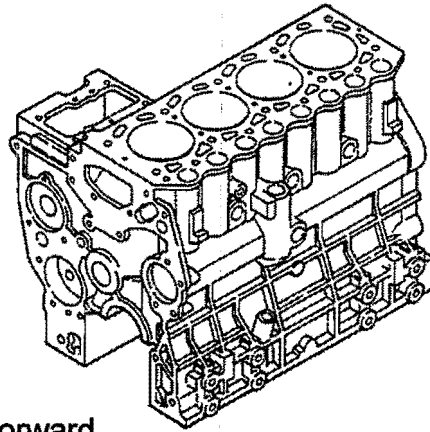
390 HST

<i>ITEM</i>	<i>LONG No.</i>	<i>VENDOR No.</i>	<i>DESCRIPTION</i>	<i>QTY.</i>
				330 HST
1	LG2639	31A23-01404	Gear, Camshaft	1
2	LG2640	31A23-10101	Gear, Injection Pump	1
3	LG2641	31A23-01023	Gear Assembly, Idler	1
4	LG2642	31A23-01502	Gear, Press Oil Pump	1
5	LG2643	MD712517	Bearing, Rear	2

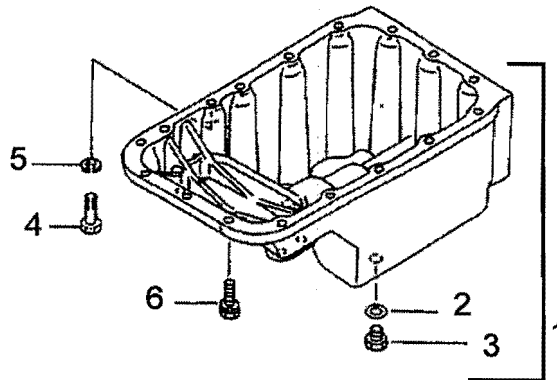


390 HST

ITEM	LONG No.	VENDOR No.	DESCRIPTION	QTY.
				330 HST
1-3	LG2610	31A13-02020	Pan Assembly, Oil	1
2	LG2611	MF660065	Gasket, Oil Drain	2
3	LG2612	MF665004	Plug, Drain	2
4	LG1811	F1035-08040	Bolt	1
5	LG1835	F2515-08000	Washer, Spring	1
6	LG4055	31A13-04101	Bolt, W/Washer	16

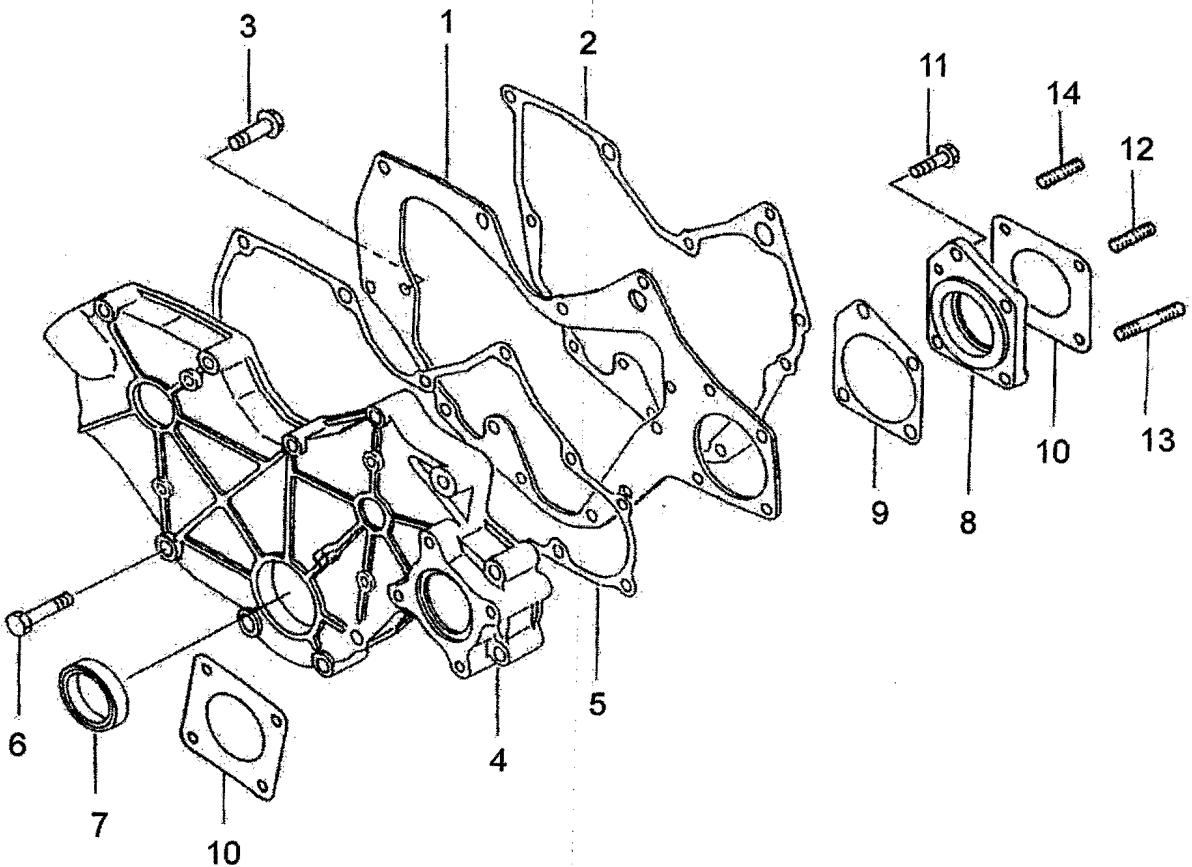


Forward



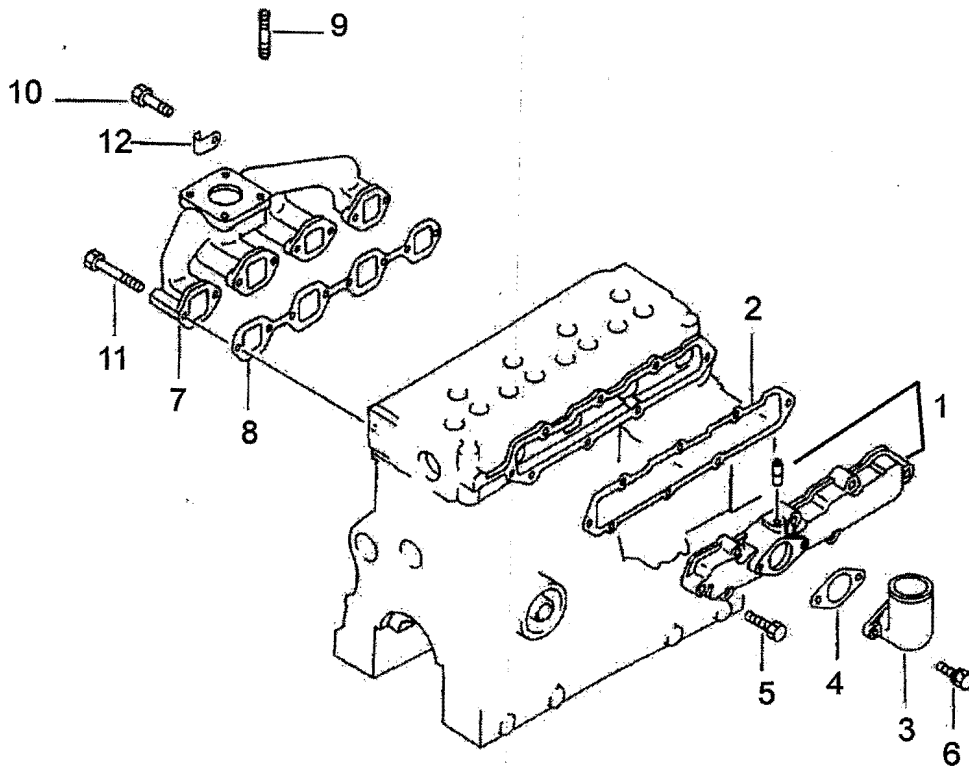
390 HST

ITEM	LONG No.	VENDOR No.	DESCRIPTION	QTY. 390 HST
1	LG2597	31A11-02100	Plate, Front	1
2	LG2598	31A07-11301	Gasket, Front Plate	1
3	LG1818	F1805-08016	Bolt, W/Washer	5
4	LG2599	31A11-00800	Case, Gear PTO	1
5	LG2600	31A11-11101	Gasket, Rear	1
6	LG2601	F1035-08045	Bolt	8
7	LG2602	MD008762	Seal, Oil	1
8	LG2603	31A11-05101	Housing, Gear	1
9	LG2604	31A11-05201	Gasket, Housing	1
10	LG2605	MM401-20601	Gasket, W/O Pump Cover	2
11	LG2606	F1805-08030	Bolt, W/Washer	1
12	LG2607	MF401936	Stud (M8x25)	1
13	LG2608	MS401335	Stud (M8x45)	1
14	LG2609	MF401935	Stud (M8x22)	2

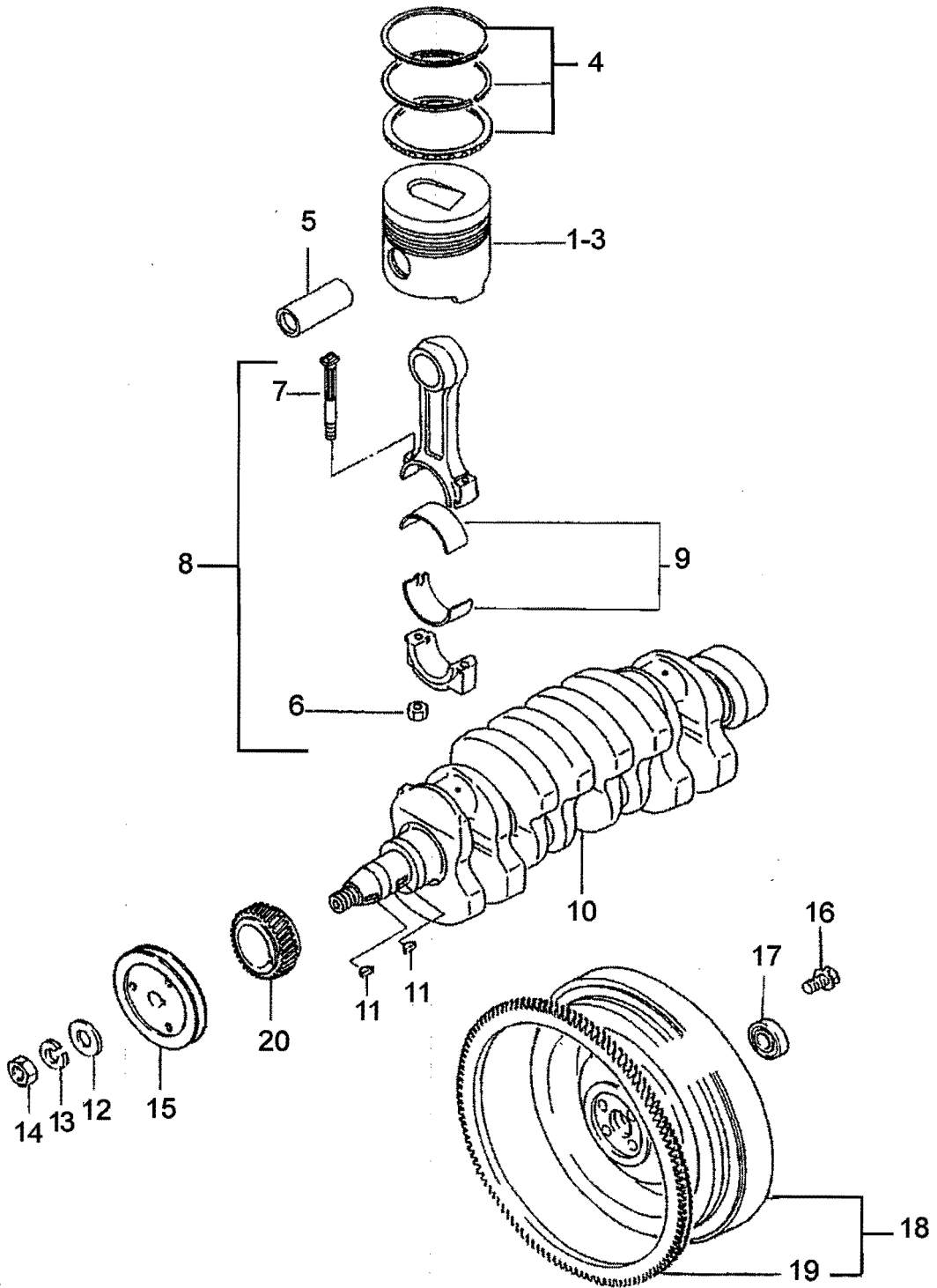


390 HST

ITEM	LONG No.	VENDOR No.	DESCRIPTION	QTY. 390 HST
1	LG2644	31A30-20010	Cover Assembly, Inlet	1
2	LG2645	31A30-10902	Gasket, Inlet Cover	1
3	LG2646	31A30-00300	Pipe, Inlet	1
4	LG2647	31A30-00801	Gasket, Inlet Pipe	1
5	LG2648	F1805-08035	Bolt, W/Washer	8
6	LG1819	F1805-08020	Bolt, W/Washer	2
7	LG2649	31A32-00402	Manifold Assembly, Exhaust	1
8	LG2650	31A32-01200	Gasket, Exhaust	1
9	LG2607	MF401936	Stud (M8x25)	4
10	LG1810	F1035-0820	Bolt	6
11	LG2651	F1035-08055	Bolt	2
12	LG2652	31A32-02100	Clamp	1



INLET & EXHAUST MANIFOLD



**390 HST**

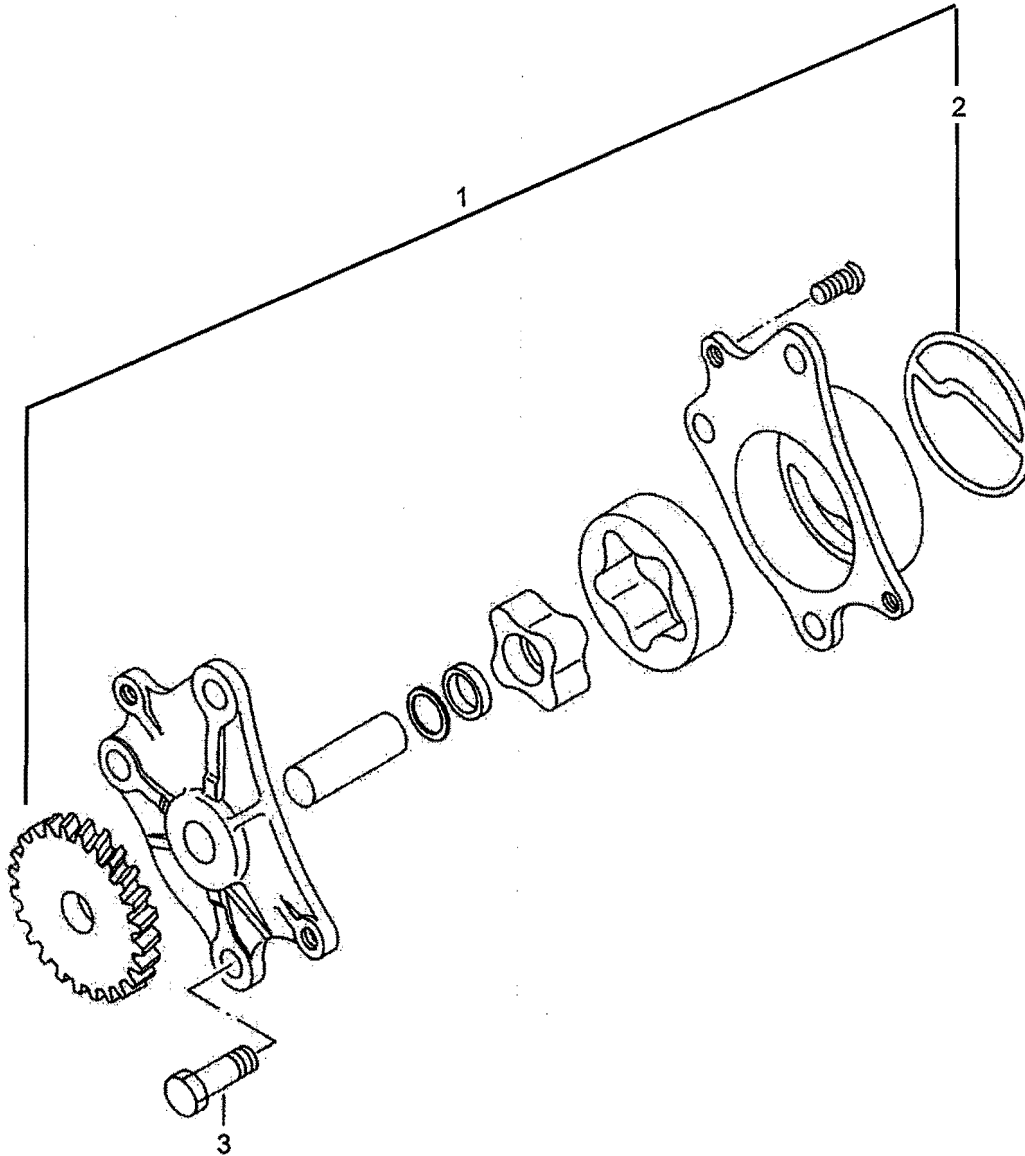
ITEM	LONG No.	VENDOR No.	DESCRIPTION	QTY. 390 HST
1	LG2613	31A17-11100	Piston - (Std.)	4
2	LG2614	31A17-11200	Piston - (.25)	4
3	LG2615	31A17-11300	Piston - (.50)	4
4	LG2616	MM433921	Ring Set, Piston - (Std)	4
-	LG2617	MM433922	Ring Set, Piston - (.25)	4
-	LG2618	MM433923	Ring Set, Piston - (.50)	4
5	LG2619	31A17-10600	Pin, Piston	4
6	LG2621	MD006704	Nut, Connecting Rod	8
7	LG2622	MD021105	Bolt, Connecting Rod	8
8	LG2623	31A19-01021	Rod Assembly, Connecting	4
9	LG2624	MM437305	Metal Set, Connecting Rod - (Std.)	4
-	LG2625	30A19-00010	Metal Set, Connecting Rod - (.25)	4
-	LG2626	30A19-00020	Metal Set, Connecting Rod - (.50)	4
-	LG2627	30A19-00030	Metal Set, Connecting Rod - (.75)	4
10	LG2629	31A20-00200	Crankshaft	1
11	LG2560	MF476215	Key, Woodruff	2
12	LG2630	MF450010	Washer, Plain	1
13	500215	MF450410	Washer, Spring (M18)	1
14	LG2632	MF430126	Nut (M18-1.5)	1
15	LG2633	31A20-22100	Pulley, Crankshaft	1
16	LG2634	MD952231	Bolt, Drive Plate	4
17	LG2635	MD002613	Bearing, Ball	1
18	LG2636	31A21-01070	Flywheel Sub Assembly	1
19	LG2637	MD024812	Gear, Ring	1
20	LG2638	31A23-01302	Gear, Crankshaft	1

NOTES

OIL SYSTEM

390 HST

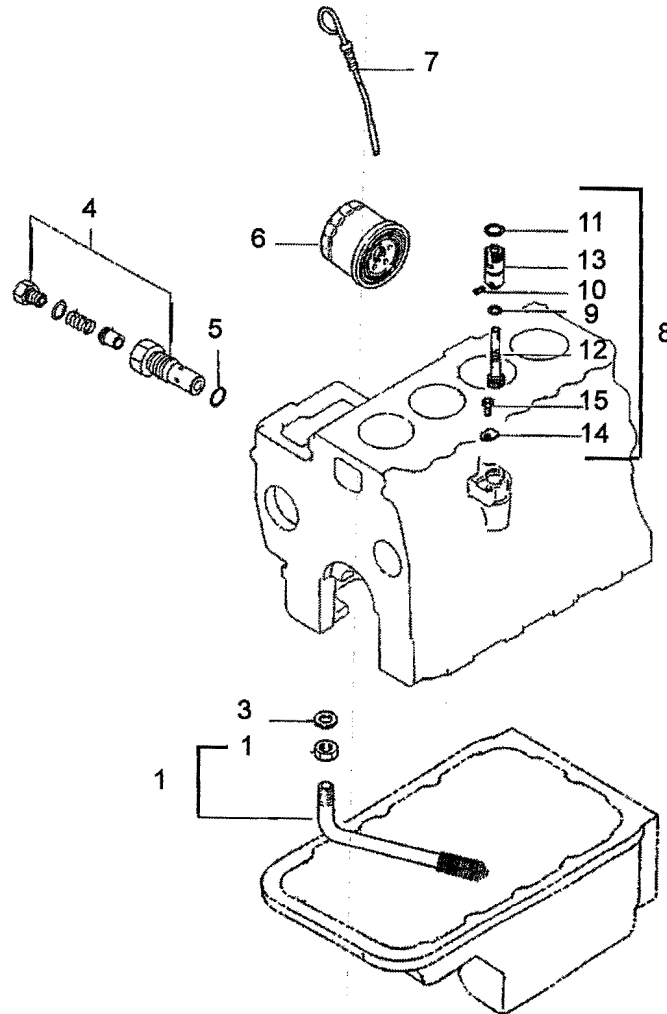
<i>ITEM</i>	<i>LONG No.</i>	<i>VENDOR No.</i>	<i>DESCRIPTION</i>	<i>QTY.</i> 390 HST
1-3	LG2653	31A35-30010	Pump Assy, Oil	1
2	LG2654	31A35-02300	Packing, Body	1
3	LG2655	F1035-08022	Bolt	3



Note: The shaft, inner rotor and gear which are force fitted to each other are not to be supplied individually.

390 HST

ITEM	LONG No.	VENDOR No.	DESCRIPTION	QTY. 390 HST
1	LG2656	31A35-05050	Strainer Assy	1
2	LG2657	MF430729	Nut, Jam	1
3	LG2658	MF660036	Gasket	1
4	LG1679	32A36-05011	Valve Assy, Relief	1
5	LG1585	F4202-22000	Gasket	1
6	LG2659	MD134953	Filter Assy, Oil	1
7	LG2660	31A42-10100	Gauge, Oil Level	1
8	LG2661	MM430598	Driven Unit, Meter	1
9	LG2662	MD701788	O-Ring	1
10	LG2663	MF472535	Pin, Spring	1
11	LG2664	MF520012	O-Ring	1
12	LG2665	MM407171	Gear	1
13	LG2666	MM430419	Sleeve	1
14	LG2667	MD0701789	Plate	1
15	LG2668	F1805-06012	Bolt, W/Washer	1



NOTES

330 HST/390 HST

SECTION 5

FUEL SYSTEM

**330 HST
5A-1 - 5A-13**

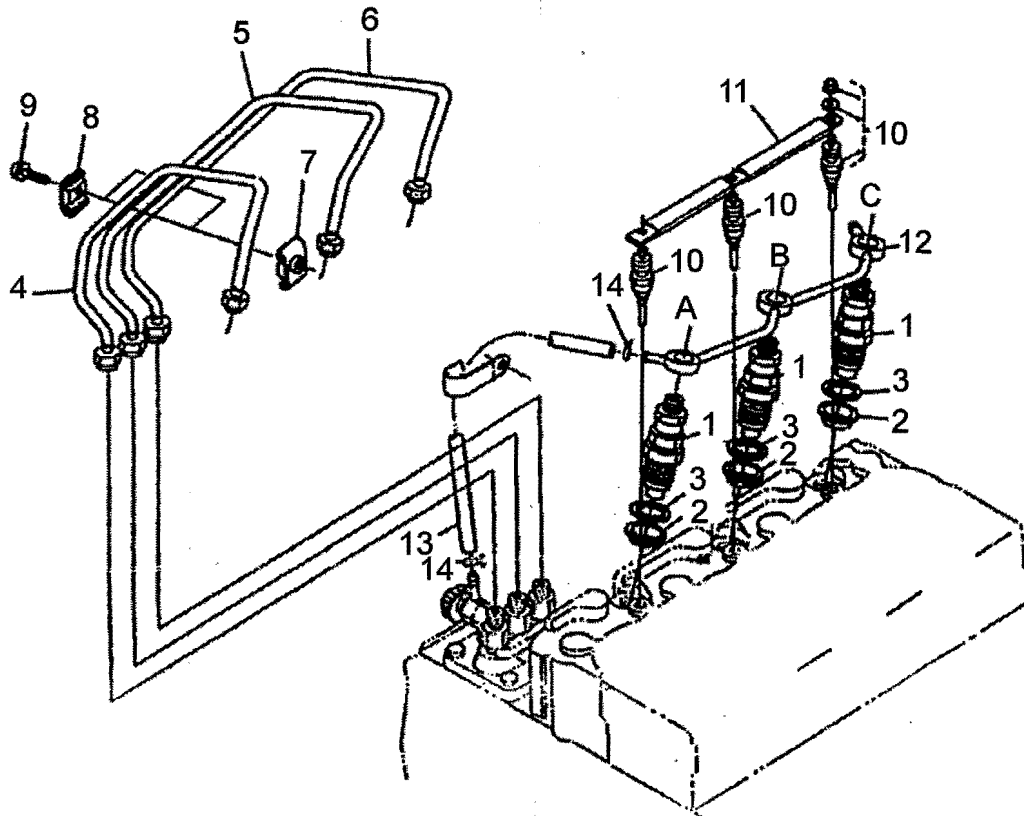
**390 HST
5B-1 - 5B-13**

 **LongAgribusiness**

COMMON SENSE SOLUTIONS

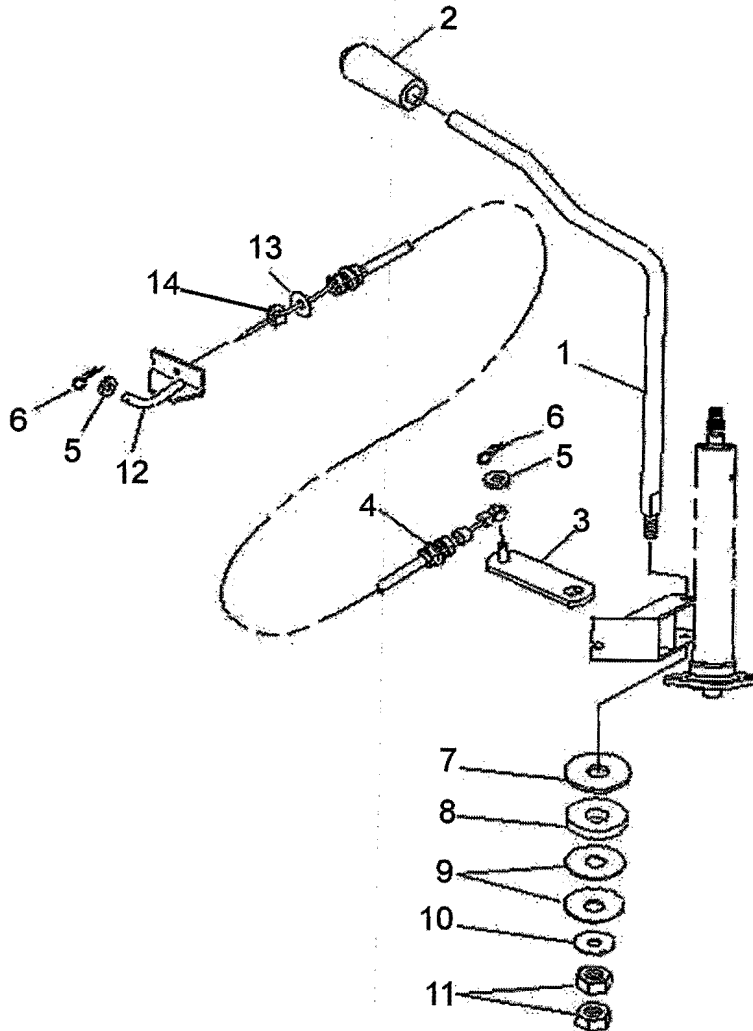
330 HST

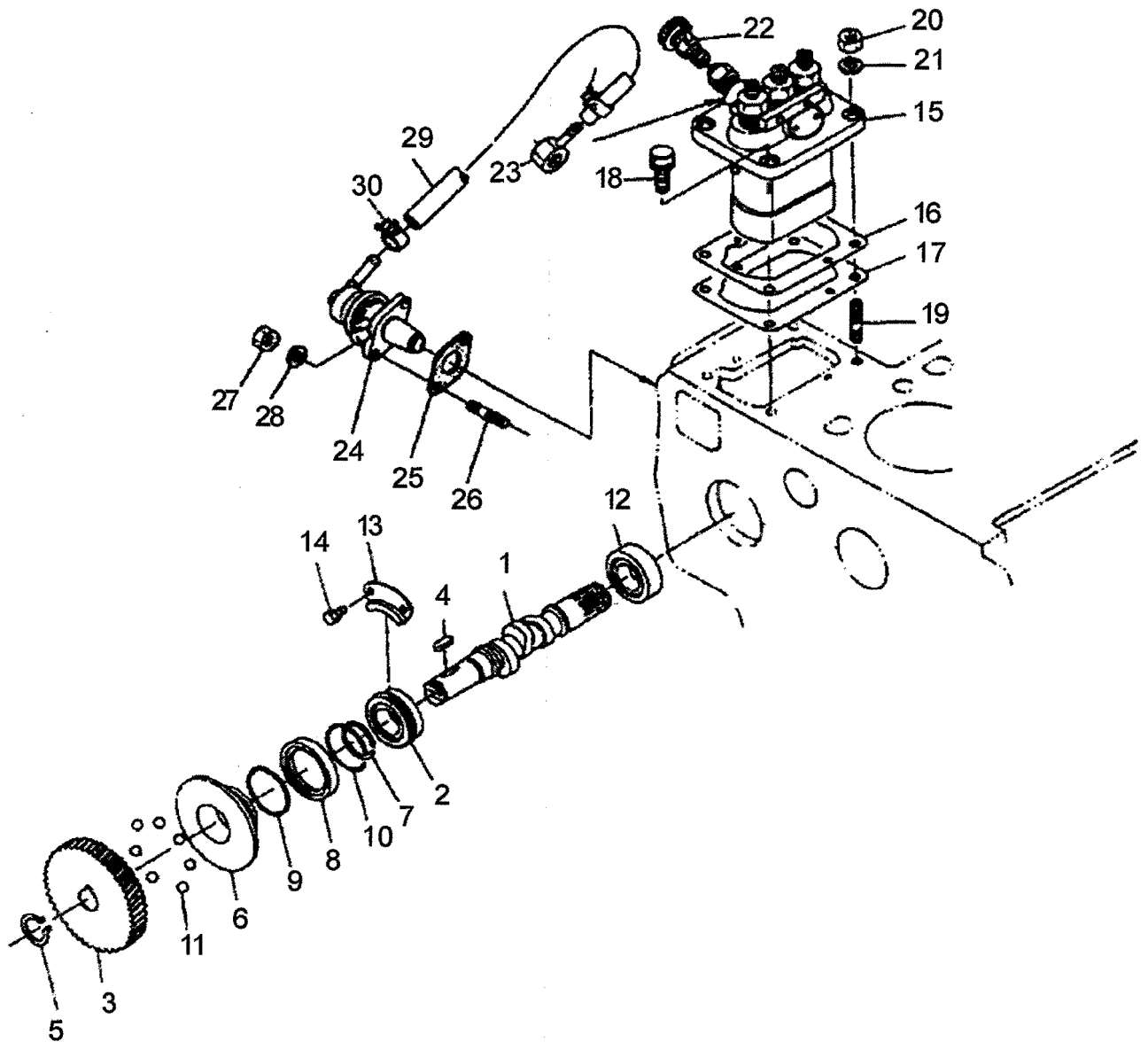
ITEM	LONG No.	VENDOR No.	DESCRIPTION	QTY.
				330 HST
1	LG4824	E6300-53002	Injector Nozzle Assembly	3
2	LG4488	E6300-53651	Seal	3
3	LG4825	E6300-53621	Gasket	3
4	LG4826	E5610-53714	Injection Pipe 1	1
5	LG4827	E5610-53723	Injection Pipe 2	1
6	LG4828	E5611-53733	Injection Pipe 3	1
7	LG4829	15121-5385-2	Pipe Clamp 1	2
8	LG4830	T4815-67371	Pipe Clamp 2	2
9	LG4831	03024-50520	Screw W/Washer	2
10	LG4493	E6301-65512	Glow Plug	3
11	LG4832	E5800-65562	Cord, Glow Plug	1
12	LG4476	E5800-42501	Overflow Pipe Assembly	1
13	LG4833	09661-40300	Hose, Fuel	1
14	LG4834	14971-4275-1	Pipe Clamp	2



330 HST

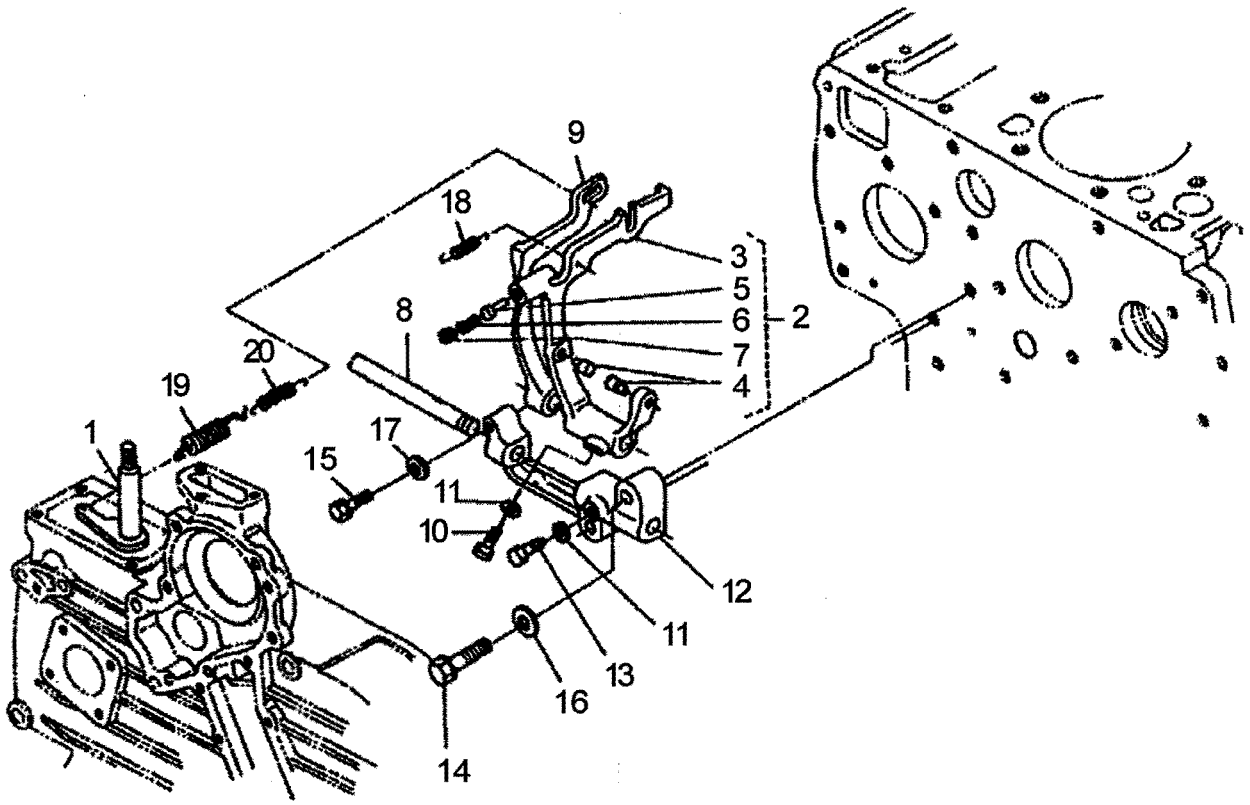
ITEM	LONG No.	VENDOR No.	DESCRIPTION	QTY. 330 HST
1	LG2070	A1100052	Lever Engine, Accelerator	1
2	LG2042	A0710037	Grip	1
3	LG4213	A1100076	Arm, Engine Control	1
4	LG2072	A1100054	Wire, Accelerator Lever	1
5	LG1891	A1970286	Washer, Plastic	2
6	LG1870	S443060013	Pin, Hair	2
7	LG2075	A1100058	Plate, Friction	1
8	N630070-S8		Washer, Plain	1
9	LG1894	S373120023	Spring, Plate	2
10	N630068-S8		Washer, Plain	1
11	N620013-S8		Nut, Hex (M8-1.25)	2
12	LG3297	A1100059	Rod, E/G Control	1
13	LG4030	S365051613	Washer	1
14	905146		Push Pull Cable Clamp	1





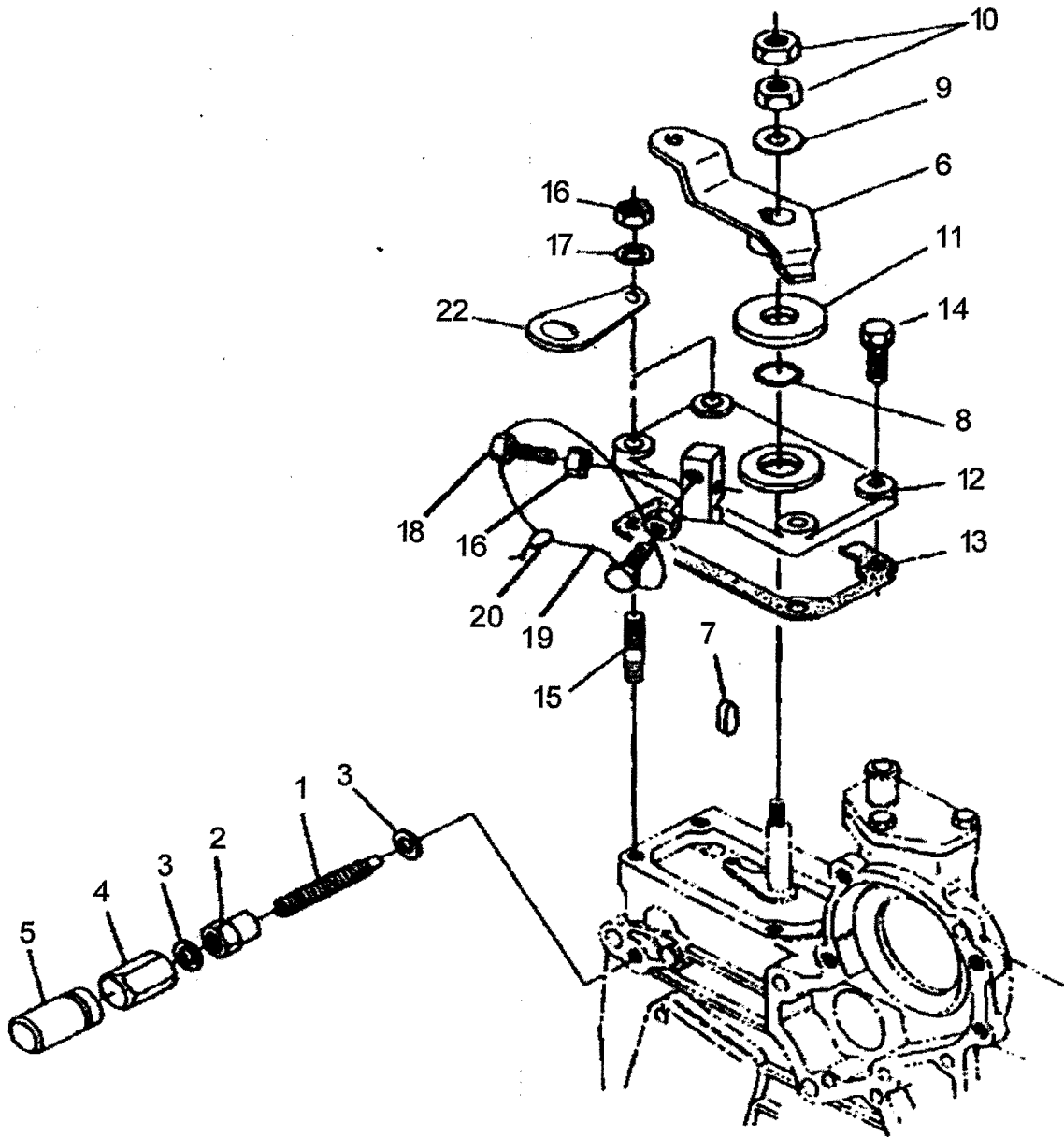
330 HST

<i>ITEM</i>	<i>LONG No.</i>	<i>VENDOR No.</i>	<i>DESCRIPTION</i>	<i>QTY.</i>
				330 HST
1-11	LG4544	E5800-16027	Camshaft Assembly, Fuel	1
1	LG4545	E5800-16178	Camshaft, Fuel	1
2	LG4546	08153-06205	Ball, Bearing	1
3	LG4547	E6300-51151	Gear, Injection Pump	1
4	LG4548	05712-00525	Key	1
5	LG4549	04612-00240	Circlip	1
6	LG4550	E6300-55451	Sleeve, Governor	1
7	LG4551	15221-5547-1	Circlip, Sleeve	1
8	LG4552	15221-5569-2	Case, Governor Ball	1
9	LG4553	07715-03205	Ball	39
10	LG4554	15221-5574-1	Circlip, Ball Case	1
11	LG4555	07715-00403	Ball	7
12	LG4556	08240-00001	Ball Bearing	1
13	LG4557	15221-1632-1	Stop, Fuel Camshaft	1
14	LG4558	01123-50814	Bolt W/Washer	2
15	LG4559	E5800-51011	Injection Pump Assembly	1
16	LG4560	E5500-52112	Shim, Injection Pump	A/R
17	LG4561	E5500-52122	Shim, Injection Pump	A/R
18	LG4562	01123-50822	Bolt, W/Washer	2
19	LG4563	01513-50822	Stud	2
20	LG4564	02156-50080	Nut	2
21	LG4565	04512-50080	Washer, Spring	2
22	LG4566	84612-6050-0	Assembly Cock, Jet Start	1
23	LG4567	14111-4241-4	Joint, Fuel Pipe	1
24	LG4568	15381-5203-0	Fuel Pump Assembly	1
25	LG4569	15241-5214-1	Gasket, Fuel Pump	1
26	LG4570	01513-50616	Stud	2
27	LG4571	02056-50060	Nut	2
28	LG4572	04512-50060	Washer, Spring	2
29	LG4573	15471-4211-1	Hose, Fuel	1
30	LG4574	14301-4275-3	Clip	2



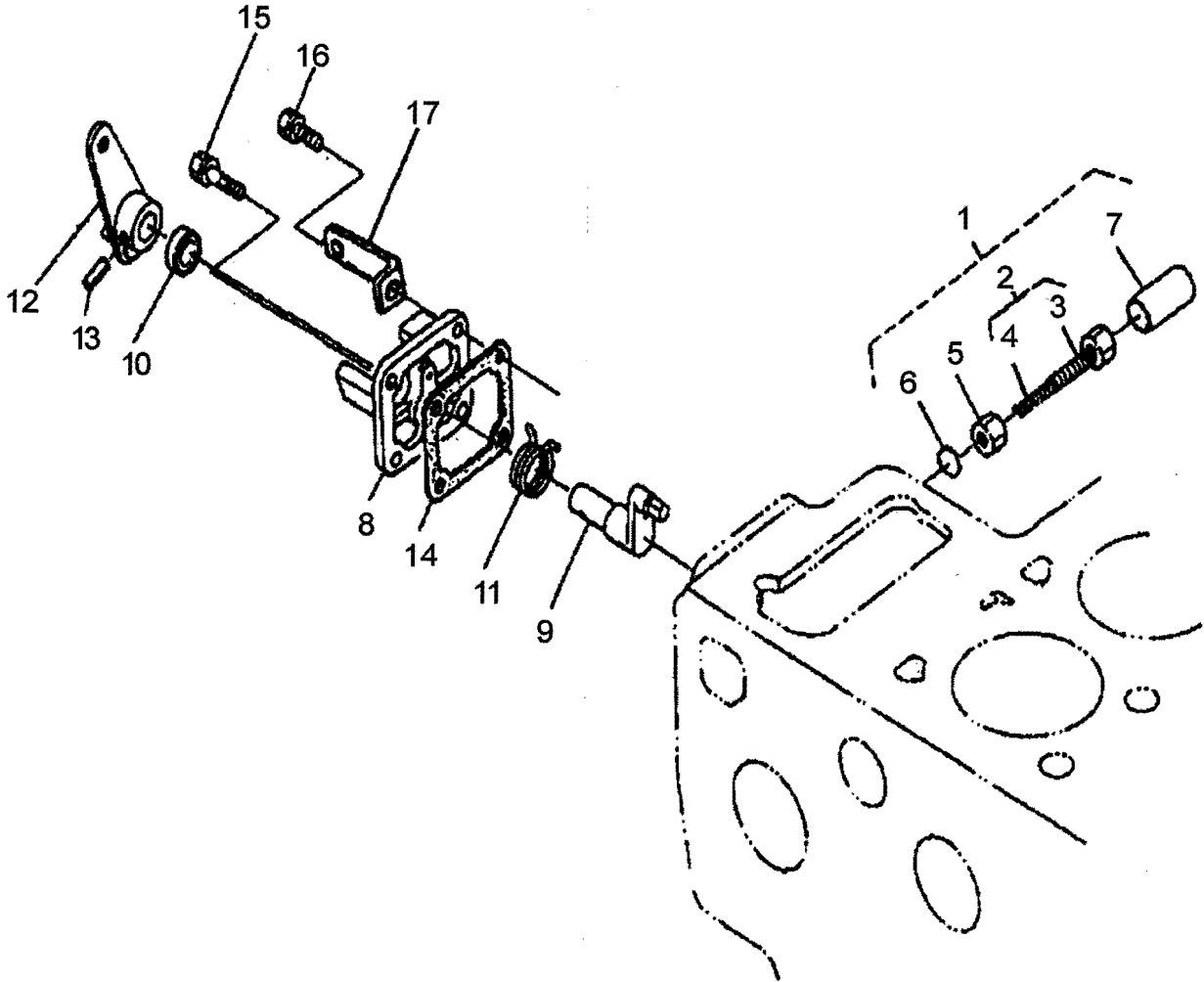
**330 HST**

ITEM	LONG No.	VENDOR No.	DESCRIPTION	QTY. 330 HST
1	LG4575	15601-5602-1	Lever Assembly, Governor	1
2-13	LG4576	E6300-56052	Lever Assembly, Fork	1
2	LG4577	E6300-56041	Lever Assembly, Fork 1	1
3	LG4578	E6300-56121	Lever, Fork 1	1
4	LG4579	15021-5616-4	Pin, Fork Lever	2
5	LG4580	15411-5417-1	Pin, Fuel Restriction	1
6	LG4581	E6300-54231	Spring	1
7	LG4582	15601-5443-1	Set Screw	1
8	LG4583	15221-5615-1	Shaft, Fork Lever	1
9	LG4584	E6300-56131	Lever, Fork 2	1
10	LG4585	15021-5624-3	Bolt	1
11	LG4586	04512-50060	Washer, Spring	2
12	LG4587	15221-5623-5	Holder, Fork Lever	1
13	LG4588	15221-6641-1	Bolt	1
14	LG4589	01123-50832	Bolt	2
15	LG4590	01023-50628	Bolt	1
16	LG4591	0412-50080	Washer, Plain	2
17	LG4592	04012-50060	Washer, Plain	1
18	LG4593	E6300-56481	Spring, Start	1
19	LG4594	E6300-56414	Spring, Governor 1	1
20	LG4595	E6313-56421	Spring, Governor 2	1



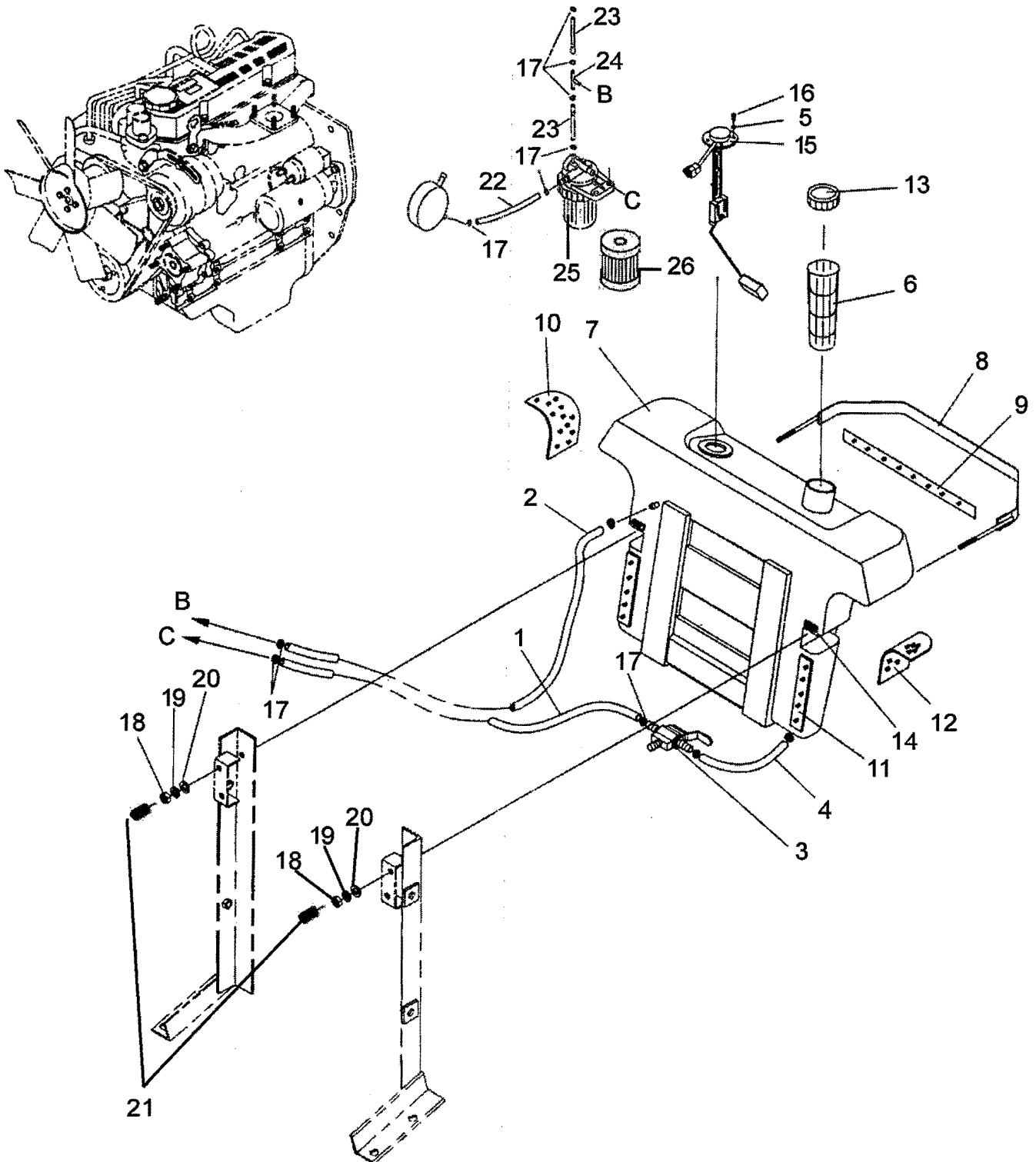
**330 HST**

ITEM	LONG No.	VENDOR No.	DESCRIPTION	QTY. 330 HST
1	LG4596	15601-5412-1	Bolt, Adjusting	1
2	LG4597	15601-9201-1	Nut	1
3	LG4598	15601-9665-1	Gasket	2
4	LG4599	15601-5422-1	Nut, Cap	1
5	LG4600	15601-5442-2	Cap	1
6	LG4601	E5500-57151	Lever, Speed Control	1
7	LG4602	05712-00408	Key	1
8	LG4603	04811-00120	O-Ring	1
9	LG4604	04013-50080	Washer, Plain	1
10	LG4605	02112-50080	Nut	2
11	LG4606	17011-5738-3	Plate, Friction	1
12	LG4607	15521-5711-3	Plate, Speed Control	1
13	LG4608	15221-5721-1	Gasket, Control Plate	1
14	LG4609	01023-50620	Bolt, W/Washer	2
15	LG4610	01518-50622	Stud	2
16	LG4611	02056-50062	Nut	4
17	LG4572	04512-50060	Washer, Spring	2
18	LG4613	15108-5728-4	Stopper	2
19	LG4615	07811-11210	Wire	1
20	LG4616	07918-00001	Lead, Sealing	1
21	LG4617	E5900-72732	Clamp, Pipe	1



330 HST

<i>ITEM</i>	<i>LONG No.</i>	<i>VENDOR No.</i>	<i>DESCRIPTION</i>	<i>QTY.</i> 330 HST
1	LG4618	E6200-54092	Idle Adjustment Assembly	1
2	LG4619	E6200-54102	Bolt Assembly, Adjusting	1
3	LG4620	E6200-54252	Bolt, Adjusting	1
4	LG4621	15521-5426-1	Spring	1
5	LG4622	15471-9201-1	Nut	1
6	LG4623	04811-00060	O-Ring	1
7	LG4624	15521-5427-1	Cap	1
8-13	LG4525	15471-5770-2	Lever Assembly, Engine Stop	1
8	LG4626	15471-5613-2	Cover, Injection Pump	1
9	LG4627	E6300-57741	Shaft, Lever	1
10	LG4628	15471-5798-1	Seal, Oil	1
11	LG4629	15471-5792-1	Spring	1
12	LG4630	E6200-57731	Lever, Engine Stop	1
13	LG4631	05411-00420	Pin, Spring	1
14	LG4632	15221-5166-1	Gasket	1
15	LG4633	01023-50618	Bolt, W/Washer	3
16	LG4334	01023-50622	Bolt, W/Washer	1
17	LG4635	E5205-57482	Wire Holder	1



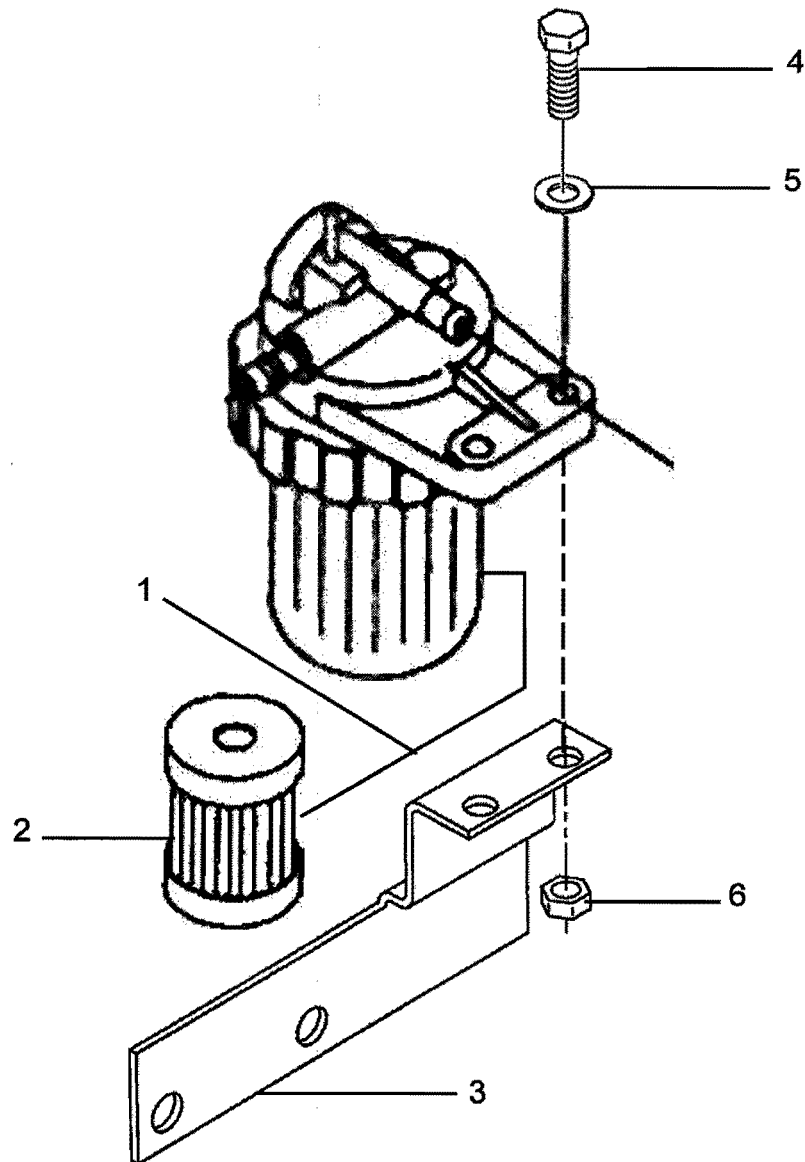
FUEL TANK ASSEMBLY (PLASTIC)

**330 HST**

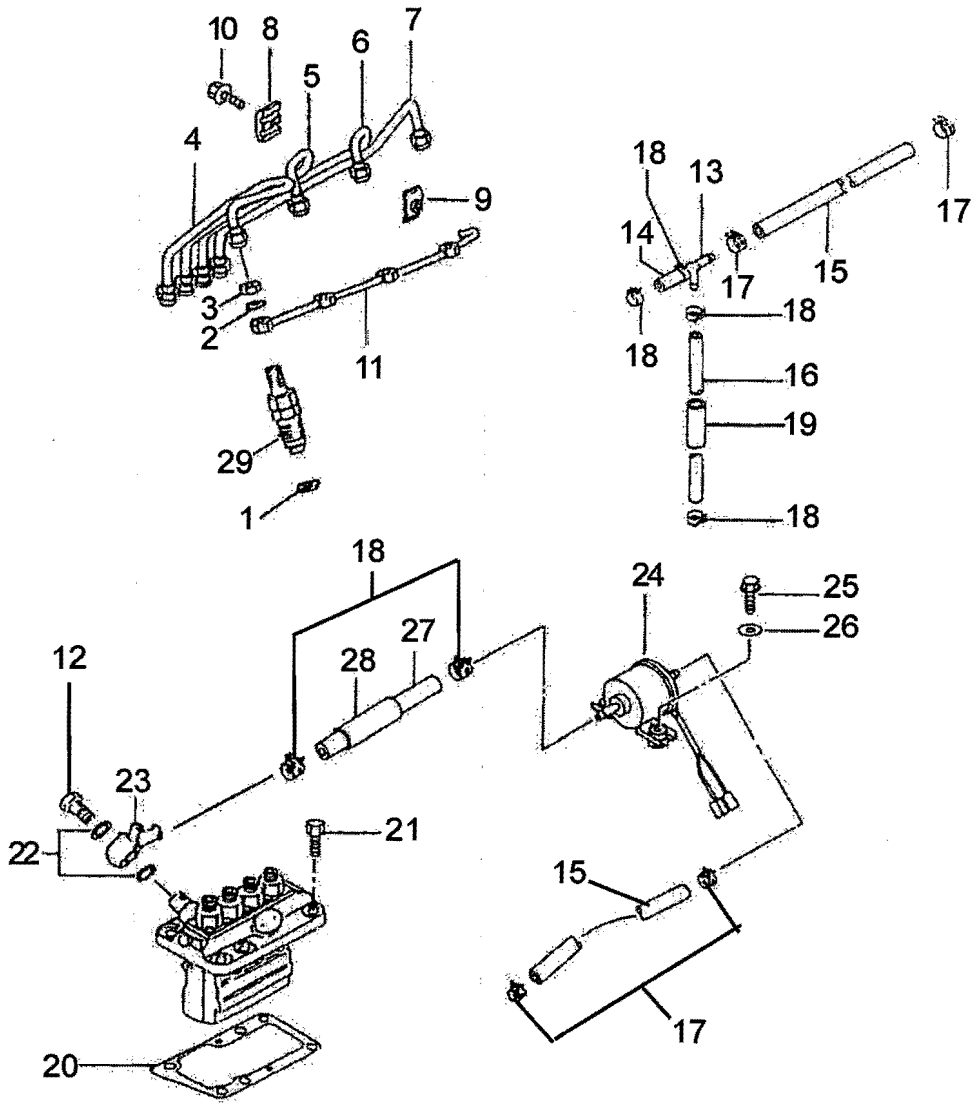
<i>ITEM</i>	<i>LONG No.</i>	<i>VENDOR No.</i>	<i>DESCRIPTION</i>	<i>QTY.</i> 330 HST
1	LG4206	A1040104	Hose, Fuel	1
2	LG4541	A1040097	Hose, Fuel Return	1
3	LG3511	A1040127	Cock, Fuel Tank	1
4	LG4207	A1040205	Hose, Fuel Filter	1
5-16	LG3953	A1040139	Fuel Tank Assembly (Plastic)	1
5	LG2496	S361050013	Washer, Spring	5
6	LG1506	A1040052	Strainer, Fuel Tank	1
7	LG3628	A1040085	Tank, Fuel (Plastic)	1
8	LG3625	A1040086	Band, Fuel Tank (Plastic)	1
9	LG3629	A1040088	Sponge	1
10	LG3630	A1040089	Sponge (RH)	1
11	LG3631	A1040090	Sponge	2
12	LG3632	A1040093	Sponge (LH)	1
13	LG3612	A1040111	Cap Assembly, Fuel (Plastic)	1
14	LG3633	A1040133	Sponge	2
15	LG1263	A1750176	Guage, Fuel	1
16	LG4192	S222501011	Screw (M5x0.8x10)	5
17	LG4205	A1970310	Clamp, Hose	12
18	N620013-S8		Nut, Hex (M8-1.25)	2
19	N630173-S8		Washer, Spring	2
20	LG3636	S365082013	Washer, Plain	3
21	905481		Cap, Fuel Tank Bolt	2
22	60321000		Hose, Filter (12" LG)	1
23	LG4209	A1040207	Hose, Fuel	2
24	LG4210	A5001561	Nipple	1
25	LG4211	A1040208	Fuel Filter Assembly	1
26	LG4212	A1040209	Fuel Filter Element	1

330 HST

ITEM	LONG No.	VENDOR No.	DESCRIPTION	QTY.
				330 HST
1	LG4211	A1040208	Fuel Filter Assembly	1
2	LG4212	A1040209	Element, Fuel Filter	1
3	906071		Bracket, Fuel Filter	1
4	304682S8		Bolt, Hex (5/16-18x1)	2
5	44724S8		Washer, Flat (5/16)	2
6	9-92202		Nut, Elastic Stop (5/16-18)	2

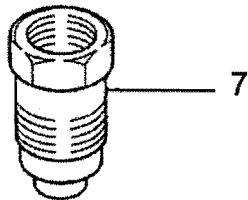
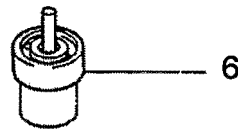
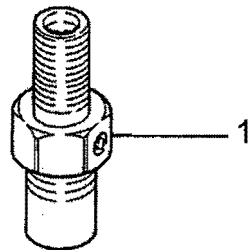


INTENTIONALLY LEFT BLANK



390 HST

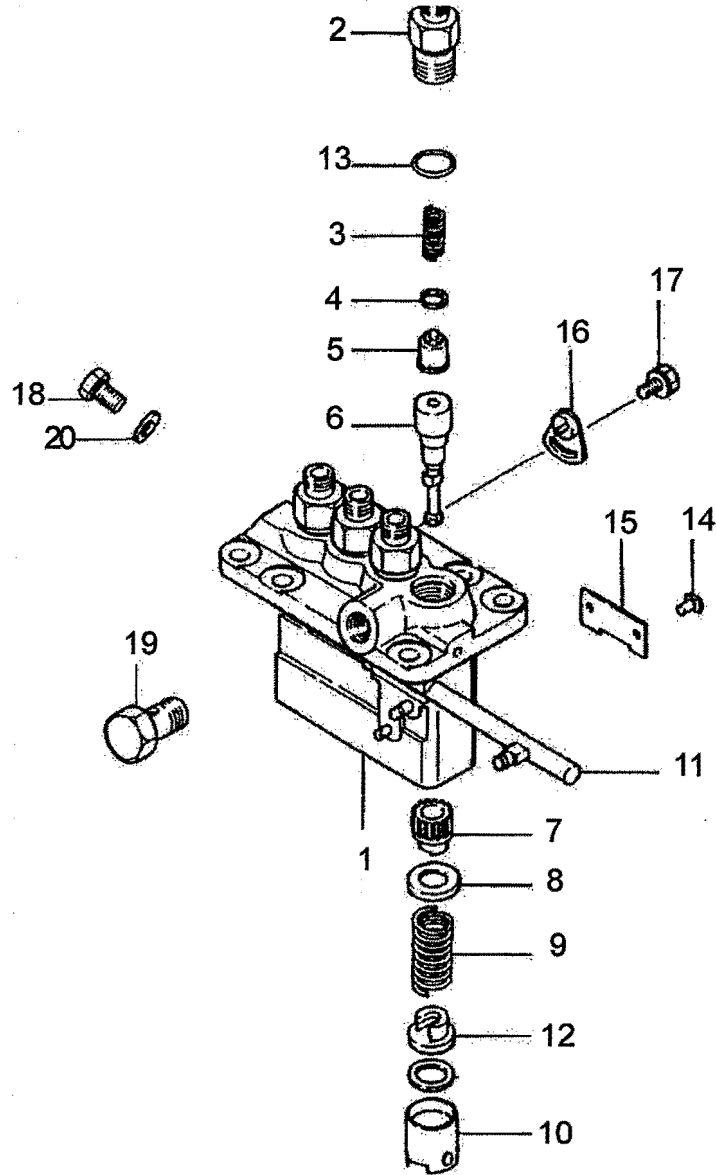
<i>ITEM</i>	<i>LONG No.</i>	<i>VENDOR No.</i>	<i>DESCRIPTION</i>	<i>QTY.</i> 390 HST
1	LG2692	MD070717	Gasket, Holder	4
2	LG2693	MD068355	Gasket, Fuel Return	4
3	LG2694	MD068353	Nut	4
4	LG2695	31A61-04100	Pipe, Injection No.1	1
5	LG2696	31A31-04200	Pipe, Injection No.2	1
6	LG2697	31A61-04300	Pipe, Injection No.3	1
7	LG2698	31A61-04400	Pipe, Injection No. 4	1
8	LG1561	MM430703	Clamp (A)	3
9	LG1562	MM430614	Clamp (B)	3
10	LG1829	F1825-06025	Bolt, W/Washer	3
11	LG2699	31A61-12600	Pipe, Fuel Leak Off	1
12	LG3135	MM500100	Screw, Hollow	1
13	LG2701	MM400886	Joint	1
14	LG2702	MM430130	Hose, Fuel	1
15	LG2703	MS602063	Hose, Fuel	1
16	LG2704	MS604043	Hose, Fuel	1
17	LG2705	MS660163	Clip	4
18	LG2706	MS660169	Clip	4
19	LG2707	31A61-01200	Hose, Rubber	6
20	LG2708	MM409036	Shim (0.7)	1
-	LG2709	MM409037	Shim (0.8)	1
-	LG2710	MM409038	Shim (0.9)	1
-	LG2711	MM409039	Shim (1.0)	1
-	LG2712	MM409031	Shim (0.2)	1
21	LG1810	F1035-08020	Bolt	6
22	LG2713	MK661-14000	Washer, Seal	2
23	LG2714	MM437140	Color, Union	1
24	LG2715	MM436739	Pump Assembly, Fuel	1
25	LG2716	F1805-06025	Bolt, W/Washer	2
26	LG2717	MD107589	Washer	2
27	LG2719	MS602035	Hose, Fuel	2
28	LG2720	31A61-01300	Hose, Rubber	1
29	LG1621	MM435-94101	Nozzle & Holder Assembly	4





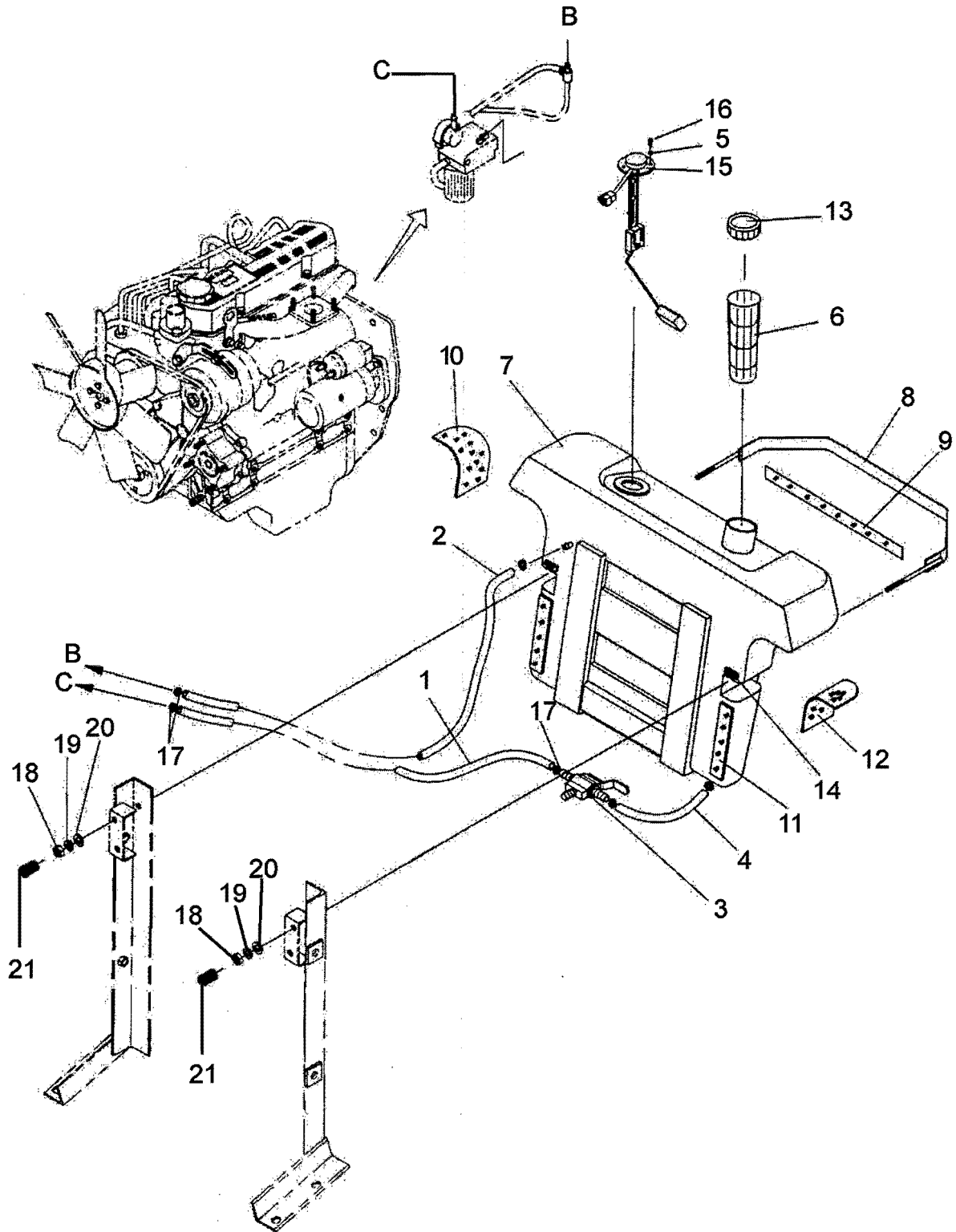
390 HST

ITEM	LONG No.	VENDOR No.	DESCRIPTION	QTY. 390 HST
1-7	LG1621	MM435-94101	Nozzle & Holder Assembly	4
1	LG3105	MM514048	Body Sub Assembly	4
2	LG3107	MD603490	Washer (1.25)	AR
-	LG3108	MD603491	Washer (1.3)	AR
-	LG3109	MD603492	Washer (1.35)	AR
-	LG3110	MD603493	Washer (1.4)	AR
-	LG3111	MD603494	Washer (1.45)	AR
-	LG3112	MD603495	Washer (1.5)	AR
-	LG3113	MD603496	Washer (1.55)	AR
-	LG3114	MD603497	Washer (1.6)	AR
-	LG3115	MD603498	Washer (1.65)	AR
-	LG3116	MD603499	Washer (1.7)	AR
3	LG3106	MM514047	Spring, Pressure	4
4	LG2981	09312-10380	Pin, Pressure	4
5	LG2984	MM501841	Piece, Distance	4
6	LG3057	MD603660	Nozzle Assembly	4
7	LG2983	MM514380	Nut, Nozzle Retaining	4



390 HST

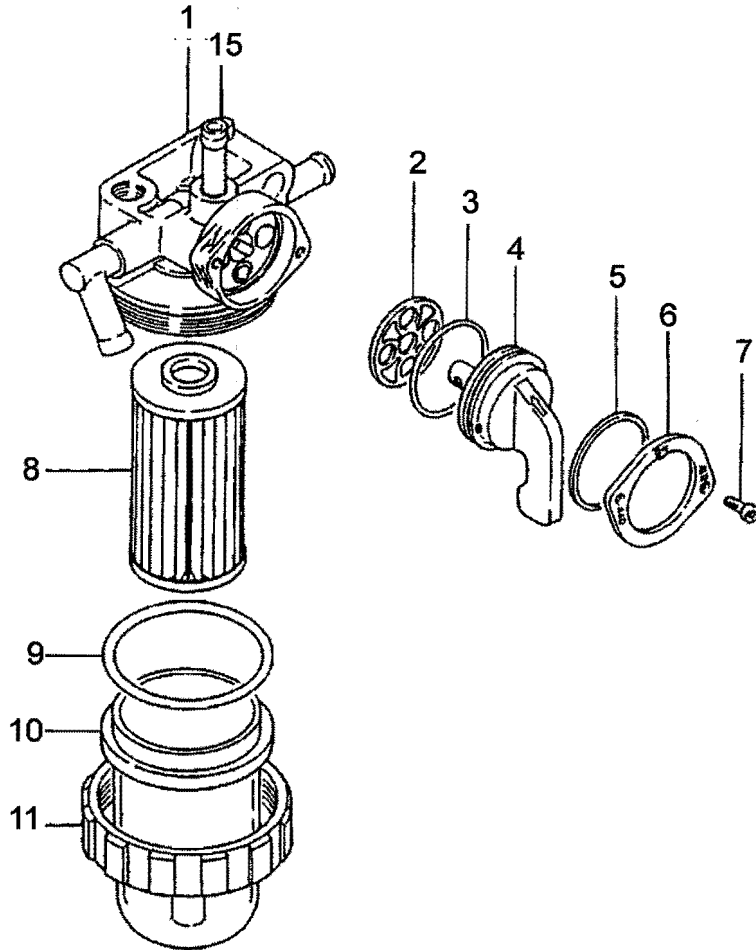
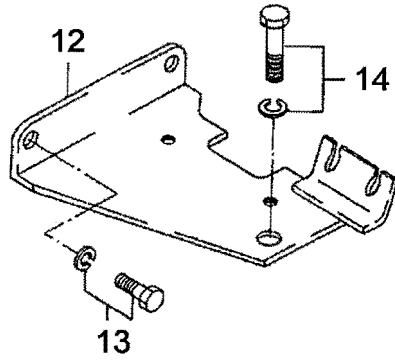
<i>ITEM</i>	<i>LONG No.</i>	<i>VENDOR No.</i>	<i>DESCRIPTION</i>	<i>QTY.</i> 390 HST
1-22	LG3089	31A65-21040	Pump Assembly, Fuel Injection	1
1	LG3117	47X01-04200	Housing Sub Assembly	1
2	LG3118	MM501507	Holder, Delivery	4
3	LG3119	MM501385	Spring, Delivery	4
4	LG3120	MM5011856	Gasket, Delivery	4
5	LG3139	47X01-07700	Valve Sub Assembly	4
6	LG3122	47X01-04400	Element Sub Assembly	4
7	LG3123	MM500229	Sleeve, Control	4
8	LG3124	MM501098	Seat, Spring Upper	4
9	LG3125	MM500360	Spring, Plunger	4
10	LG3126	MM500230	Tappet Sub Assembly	4
11	LG3127	MM501255	Rack Assembly, Control	4
12	LG3128	MM500316	Seat, Spring Lower	4
13	LG3129	MM500438	O-Ring	4
14	LG3130	MM500231	Pin, Tappet Guide	4
15	LG3131	MM500232	Plate	2
16	LG3132	MM514109	Plate, Adjusting	3
17	LG3133	MM514195	Bolt, Washer Head	3
18	LG3134	MM501152	Screw, Air Bleeder	1
19	LG3135	MM500100	Screw, Hollow	1
20	LG3136	MM500578	Washer, Plate	1



FUEL TANK ASSEMBLY (PLASTIC)

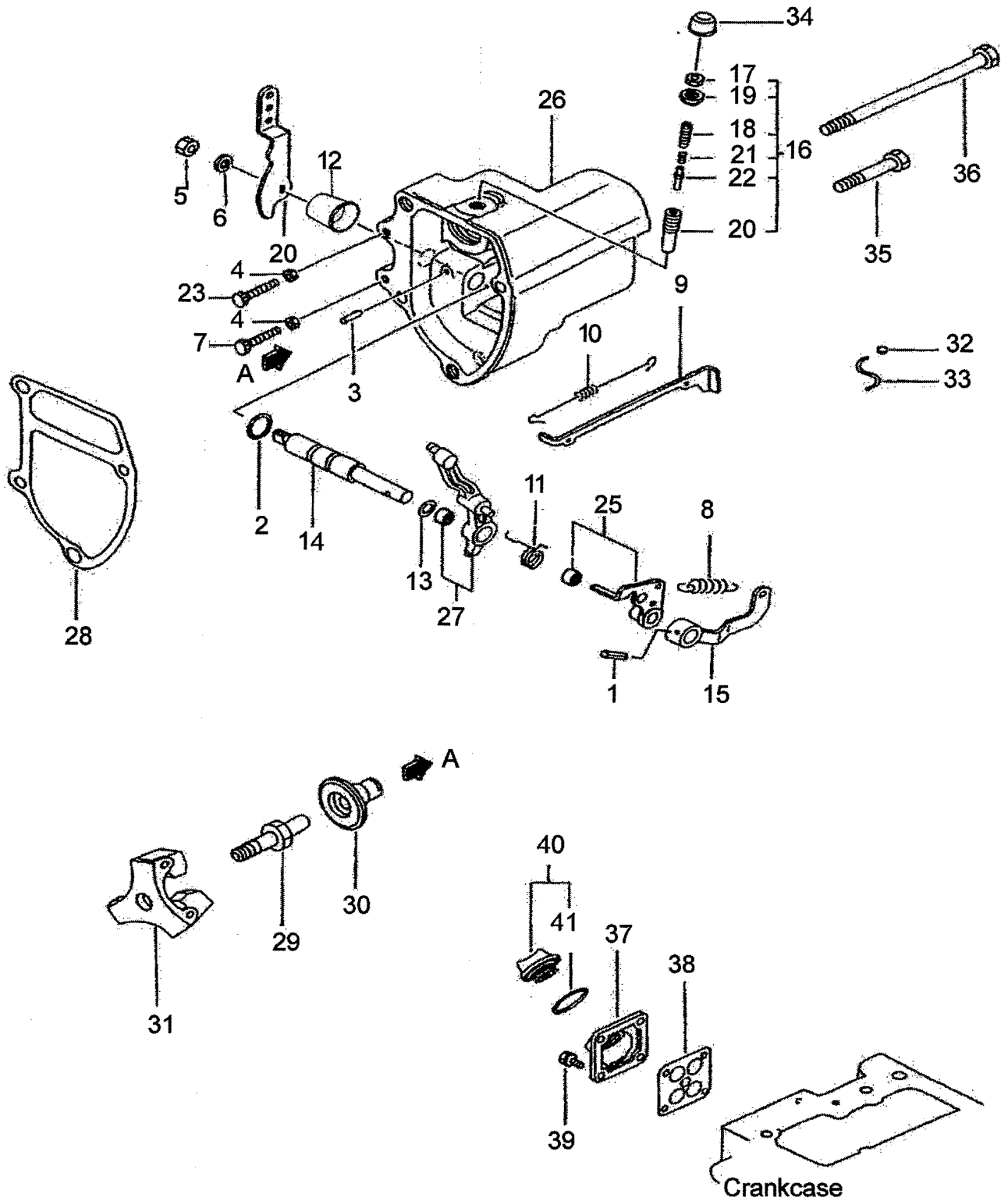
**390 HST**

ITEM	LONG No.	VENDOR No.	DESCRIPTION	QTY. 390 HST
1	LG4206	A1040104	Hose, Fuel	1
2	LG3294	A1040075	Hose, Fuel Return	1
3	LG3511	A1040127	Cock, Fuel Filter	1
4	LG4207	A1040205	Hose, Fuel Filter	1
5-16	LG3953	A1040139	Fuel Tank Assembly (Plastic)	5
5	LG2496	S361050013	Washer, Spring	5
6	LG1506	A1040052	Strainer, Fuel Tank	1
7	LG3628	A1040085	Tank, Fuel (Plastic)	1
8	LG3625	A1040086	Band, Fuel Tank (Plastic)	1
9	LG3629	A1040088	Sponge	1
10	LG3630	A1040089	Sponge (RH)	1
11	LG3631	A1040090	Sponge	2
12	LG3632	A1040093	Sponge (LH)	1
13	LG3612	A1040111	Cap Assembly, Fuel (Plastic)	1
14	LG3633	A1040133	Sponge	2
15	LG1263	A1750176	Guage, Fuel	1
16	LG4192	S222501011	Screw (M5x0.8x10)	5
17	LG4205	A1970310	Clamp, Hose	3
18	N620013-S8		Nut, Hex (M8-1.25)	3
19	N630173-S8		Washer, Spring	2
20	LG3636	S365082013	Washer, Plain	3
21	905481		Cap, Fuel Tank Bolt	2



**390 HST**

ITEM	LONG No.	VENDOR No.	DESCRIPTION	QTY. 390 HST
1-11	LG2722	MM438739	Filter Assembly, Fuel	1
1	LG2723	MM438743	Body	1
2	LG2724	MM438748	Packing, Valve	1
3	LG2725	MM409866	O-Ring, Valve	1
4	LG2726	MM438747	Lever	1
5	LG2727	MM409864	Washer, Wave	1
6	LG2728	MM409865	Plate, Lever	1
7	LG2729	MF200003	Screw	2
8	LG2730	MM320886	Element	1
9	LG2731	MM409869	O-Ring, Filter Cup	1
10	LG2732	MM320881	Cup, Filter	1
11	LG2733	MM409868	Nut, Ring	1
12	LG2734	31A62-21100	Bracket, Fuel Filter	1
13	LG1818	F1805-08016	Bolt, W/Washer	2
14	LG1827	F1805-10020	Bolt, W/Washer	1
15	902385		Rubber Cap, Air Bleed Pipe	1

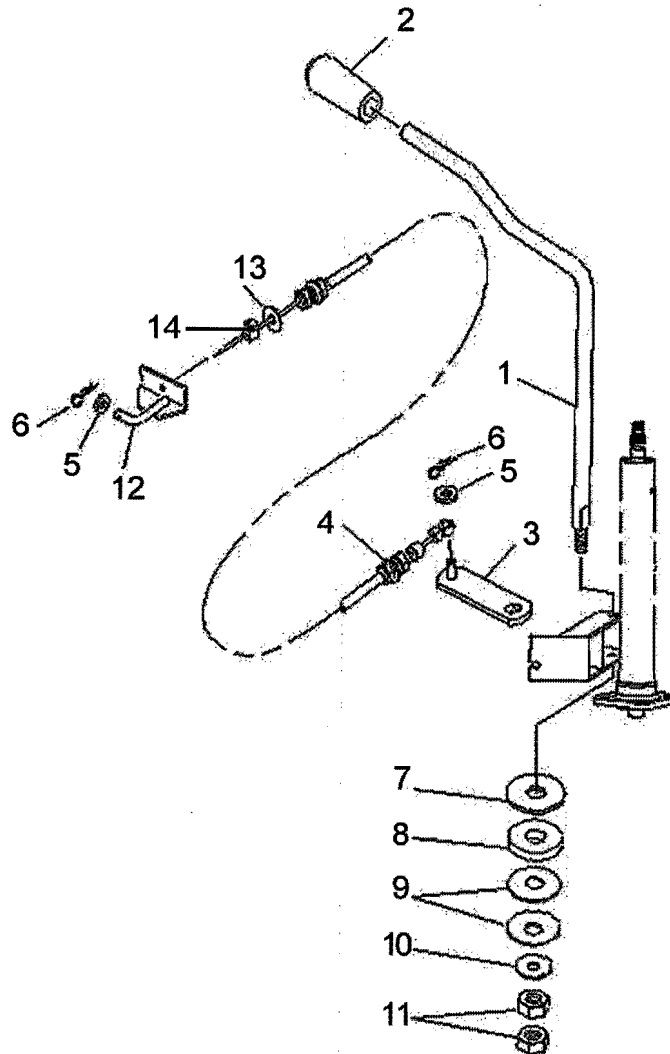


390 HST

ITEM	LONG No.	VENDOR No.	DESCRIPTION	QTY. 390 HST
1-27	LG2771	31A63-09010	Case Assembly, Governor	1
1	LG2735	F2850-03020	Pin, Ring	1
2	LG2736	F3150-01010	O-Ring	1
3	LG2737	K8712630	Pin, Grooved	1
4	LG2738	MF430004	Nut	2
5	LG2739	MF430725	Nut, Jam	1
6	LG2740	MF450405	Washer, Spring	1
7	LG2741	MM331-31701	Bolt, Speed Set	1
8	LG2772	MM433673	Spring	1
9	LG2745	31A63-00400	Tie-Rod	1
10	LG2746	31A63-00500	Spring, Tie-Rod	1
11	LG2747	31A63-01400	Spring, Start	1
12	LG2748	31A63-01800	Cover, Governor	1
13	LG2749	31A63-02400	Shim, Governor Shaft	1
14	LG2750	31A63-02600	Shaft, Governor	1
15	LG2751	31A63-02700	Lever, Governor Spring	1
16	LG2773	31A63-04040	Spring Set, Torque	1
17	LG2774	MD000961	Nut	1
18	LG2775	MD019845	Screw, Adjusting	1
19	LG2776	MM433233	Nut, Special	1
20	LG2778	MM434542	Case, Torque Spring	1
21	LG2779	MM435203	Spring, Torque	1
22	LG2780	31A63-04200	Stopper, Spring	1
23	LG2753	31A63-07900	Bolt, Low Idle Set	1
24	LG2754	31A63-11301	Lever, Speed Control	1
25	LG2755	31A63-00071	Lever Assembly, Tension	1
26	LG2756	31A63-22100	Case, Governor	1
27	LG2757	31A63-10090	Lever Assembly, Governor	1
28	LG2758	31A63-12201	Gasket, Governor Case	1
29	LG2759	31A63-10305	Shaft, Sliding Sleeve	1
30	LG2760	31A63-20201	Sleeve Sliding	1
31	LG2761	31A63-11061	Weight Assembly, Governor	1
32	LG2762	MK992-00001	Metal	1
33	LG2763	MK993-00240	Wire	1
34	LG2764	MM433614	Cap, Torque Set	1
35	LG2601	FI035-08045	Bolt	3
36	LG2765	31A63-02300	Bolt	1
37	LG2766	MM435288	Oil, Inlet	1
38	LG2767	MM435249	Protector, Oil Inlet	1
39	LG2768	FI805-06018	Bolt, W/Washer	4
40	LG2769	MM300540	Cap Assembly, Oil Filler	1
41	LG2770	MF520402	O-Ring	1

390 HST

ITEM	LONG No.	VENDOR No.	DESCRIPTION	QTY.
				390 HST
1	LG2070	A1100052	Lever Engine, Accelerator	1
2	LG2042	A0710037	Grip	1
3	LG4213	A1100076	Arm, Engine Control	1
4	LG2072	A1970286	Washer, Plastic	1
5	LG1891	A1970286	Washer, Plastic	2
6	LG1870	S443060013	Pin, Hair	3
7	LG2075	A1100058	Plate, Friction	1
8	N630070-S8		Washer, Plain	1
9	LG1894	S373120023	Spring, Plate	2
10	N630068-S8		Washer, Plain	1
11	N620013-S8		Nut, Hex (M8-1.25)	2
12	LG3297	A1100059	Rod, E/G Control	1
13	LG4030	S365051613	Washer	1
14	905146		Push-Pull Cable Clamp	1



330 HST / 390 HST

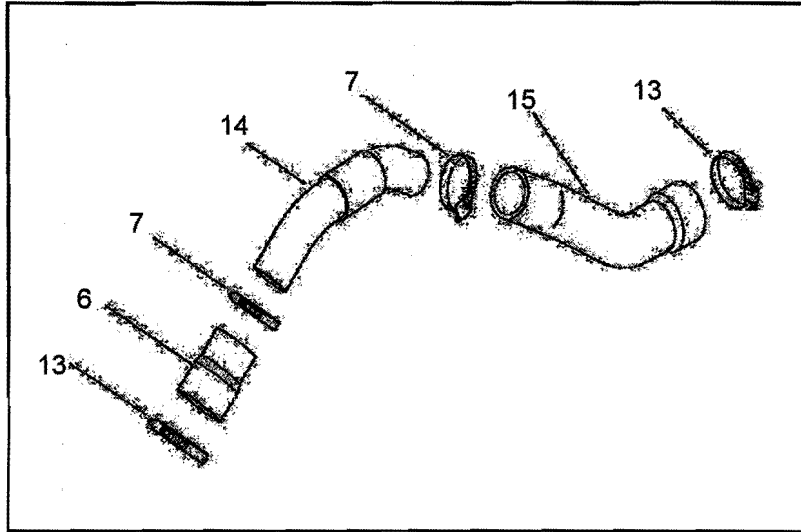
SECTION 6



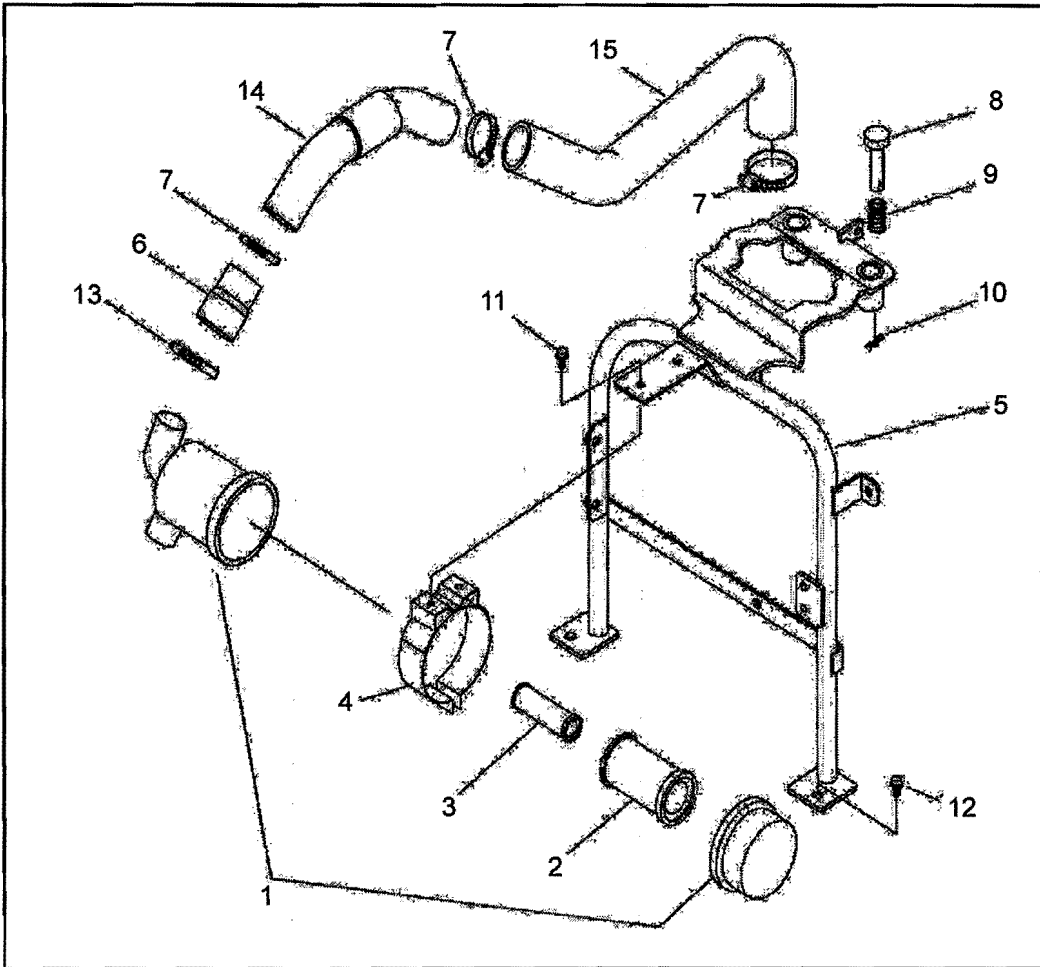
AIR CLEANER

 **LongAgribusiness**

COMMON SENSE SOLUTIONS



330HST



390HST

**330HST / 390HST**

ITEM	LONG No.	VENDOR No.	DESCRIPTION	QTY.	
				330HST	390HST
1-3	LG2086	A1190110	Air Cleaner Assembly	1	1
1	LG3303	A1190117	Body Assembly	1	1
2	LG3304	A1190111	Filter Cartridge, Primary	1	1
3	LG3305	A1190112	Filter Cartridge, Safe	1	1
4	LG1043	A1190113	Band, Air Cleaner	1	1
5	LG4224	A1190146	Support, Air Cleaner	1	1
6	LG4872	A1190151	Hose, Air Intake	1	1
7	LG3301	A1970201H	Clamp, Hose	2	3
8	LG1898	A1830261	Damper	2	2
9	LG2040	A0690127	Spring	2	2
10	LG1872	S443120013	Pin, Hair	2	2
11	LG1897	S155082033	Bolt, Hex W/Washer (M8x1.25x20L)	2	2
12	LG1899	S154103533	Bolt, Hex (M10x1.25x35L)	2	2
13	LG3307	A1970201K	Clamp, Hose	2	1
14	LG4874	A1190152	Hose Joint	1	-
-	LG4873	A1190154	Hose Joint	-	1
15	LG4876	A1190150	Air Intake Hose	1	-
-	LG4875	A1190153	Air Intake Hose	-	1

Notes

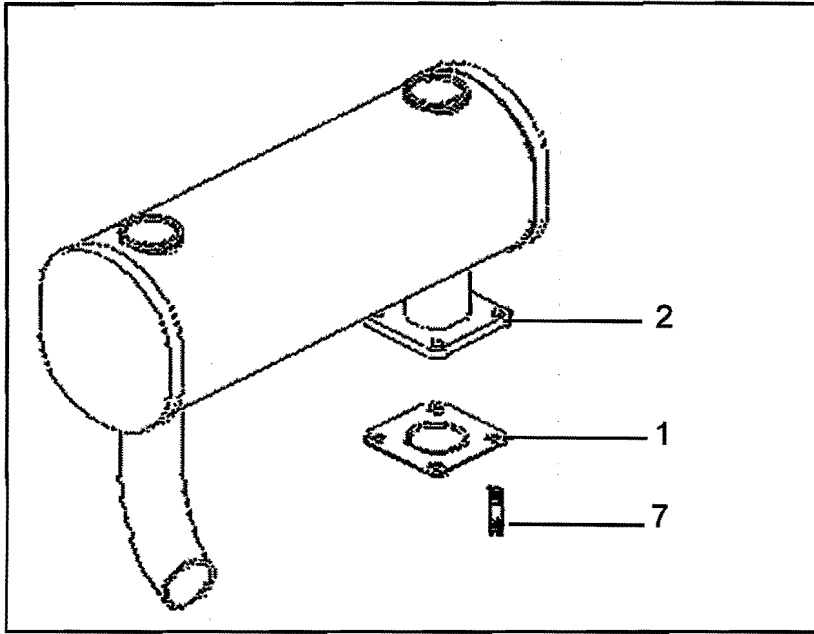
330 HST / 390 HST

SECTION 7

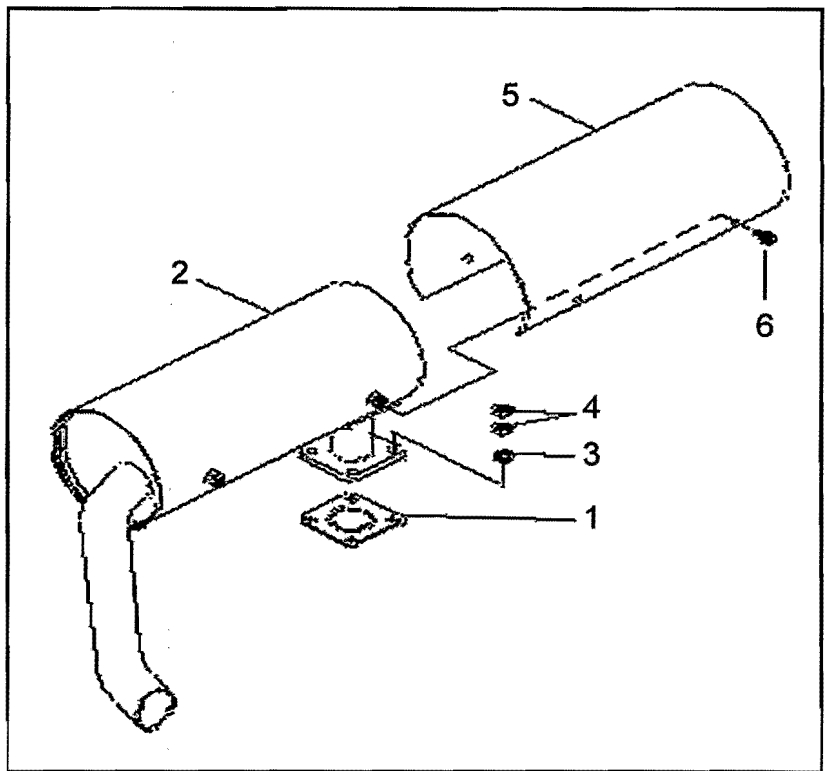
EXHAUST SYSTEM

 **LongAgribusiness**

COMMON SENSE SOLUTIONS



330 HST



390 HST

**330HST / 390HST**

<i>ITEM</i>	<i>LONG No.</i>	<i>VENDOR No.</i>	<i>DESCRIPTION</i>	<i>QTY.</i>	
				<i>330HST</i>	<i>390HST</i>
1	LG3298	A1151101	Gasket, Muffler	-	1
-	LG4214	A1151125	Gasket, Muffler	1	-
2	LG3299	A1151102	Muffler	-	1
-	LG4215	A1151124	Muffler	1	-
3	N630173S8	361080013	Washer, Spring	4	4
4	N620013S8	S313080013	Nut, Hex (M8x1.25)	8	8
5	LG3300	A1151103	Cover, Muffler	-	1
6	LG1895	S159061233	Bolt, Hex, W/Washer (M6x1.0x12L)	-	4
7	LG2501	S139082523	Bolt, Stud (M8x1.25)	4	-

Notes

330 HST / 390 HST

SECTION 8

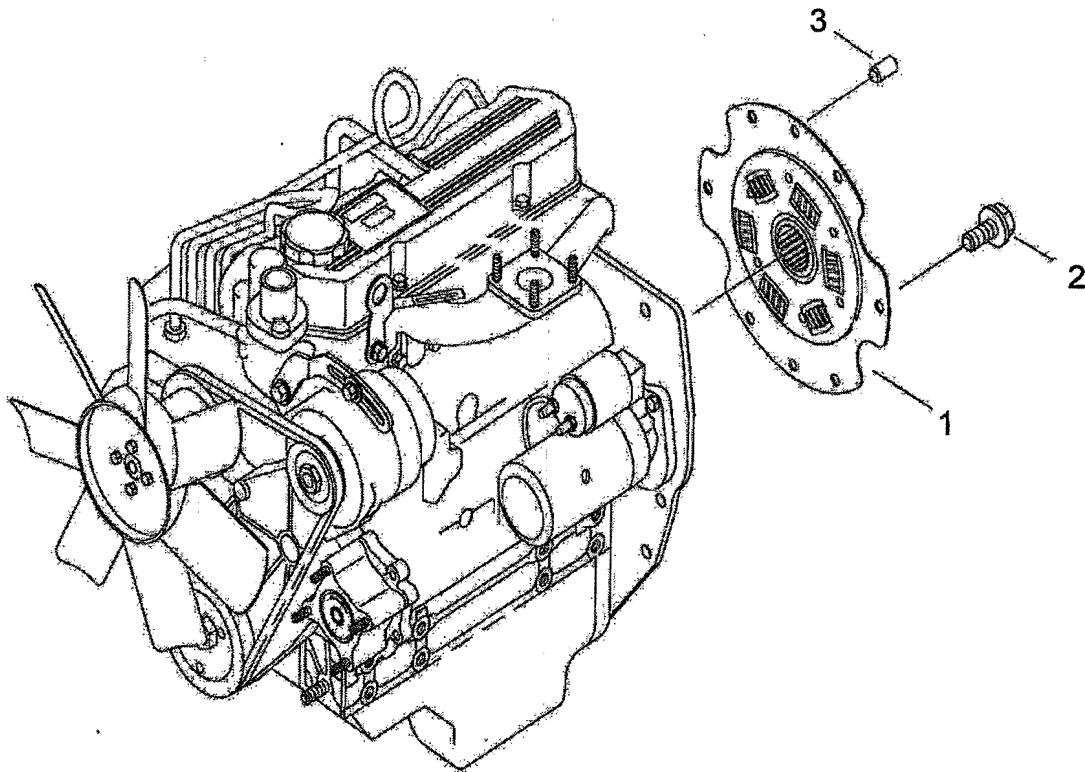
ENGINE DAMPER PLATE

 **Long Agribusiness**

COMMON SENSE SOLUTIONS

330HST / 390HST

ITEM	LONG No.	VENDOR No.	DESCRIPTION	QTY.	
				330HST	390HST
1	LG4229	A1250122	Damper Assembly	1	1
2	LG1904	S153082533	Bolt, Hex (M8x1.25x25L)	6	6
3	LG1903	S423081610	Pin, Dowel (D8x16L)	2	2



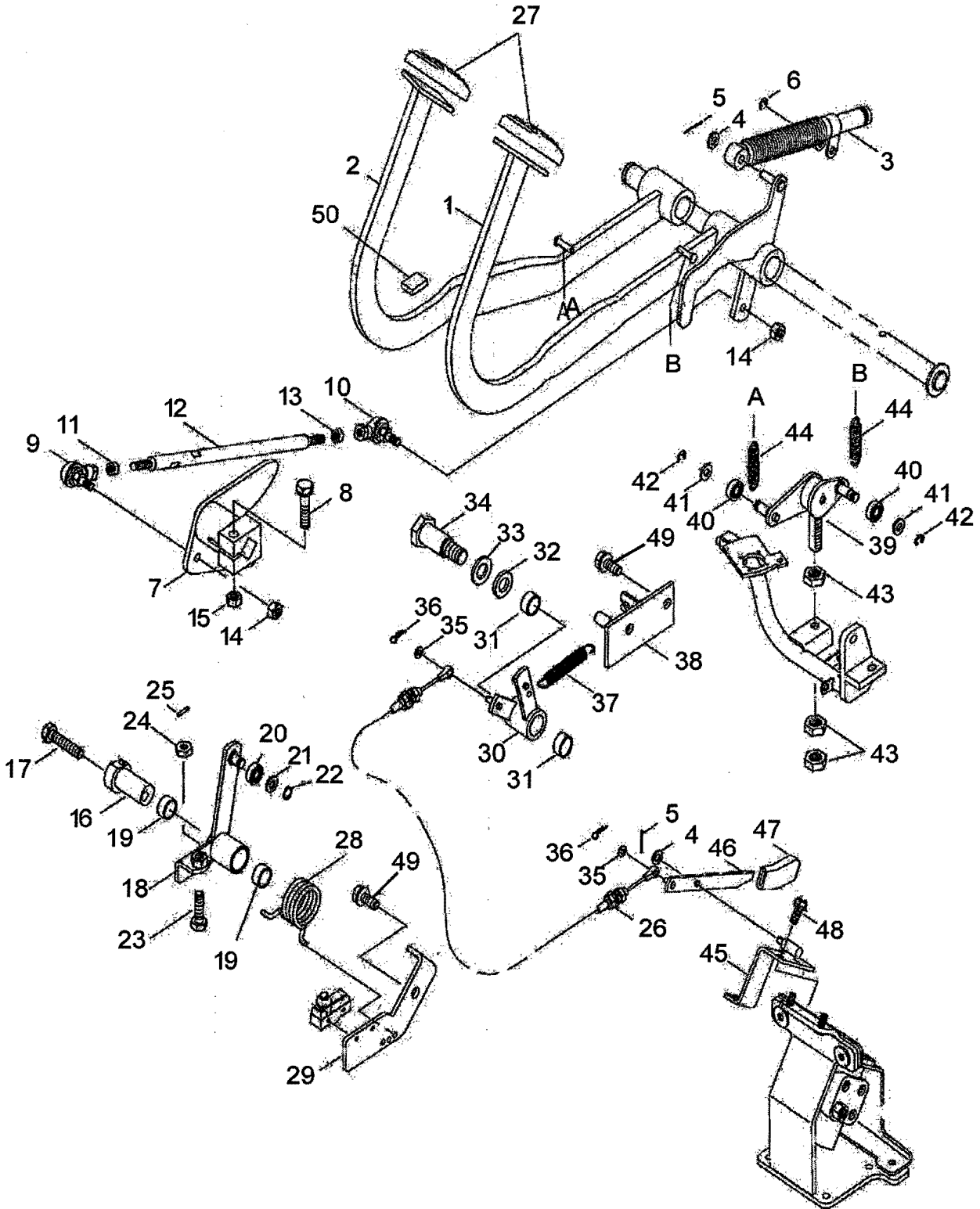
330 HST / 390 HST

SECTION 9

BRAKE AND HST CONTROLS

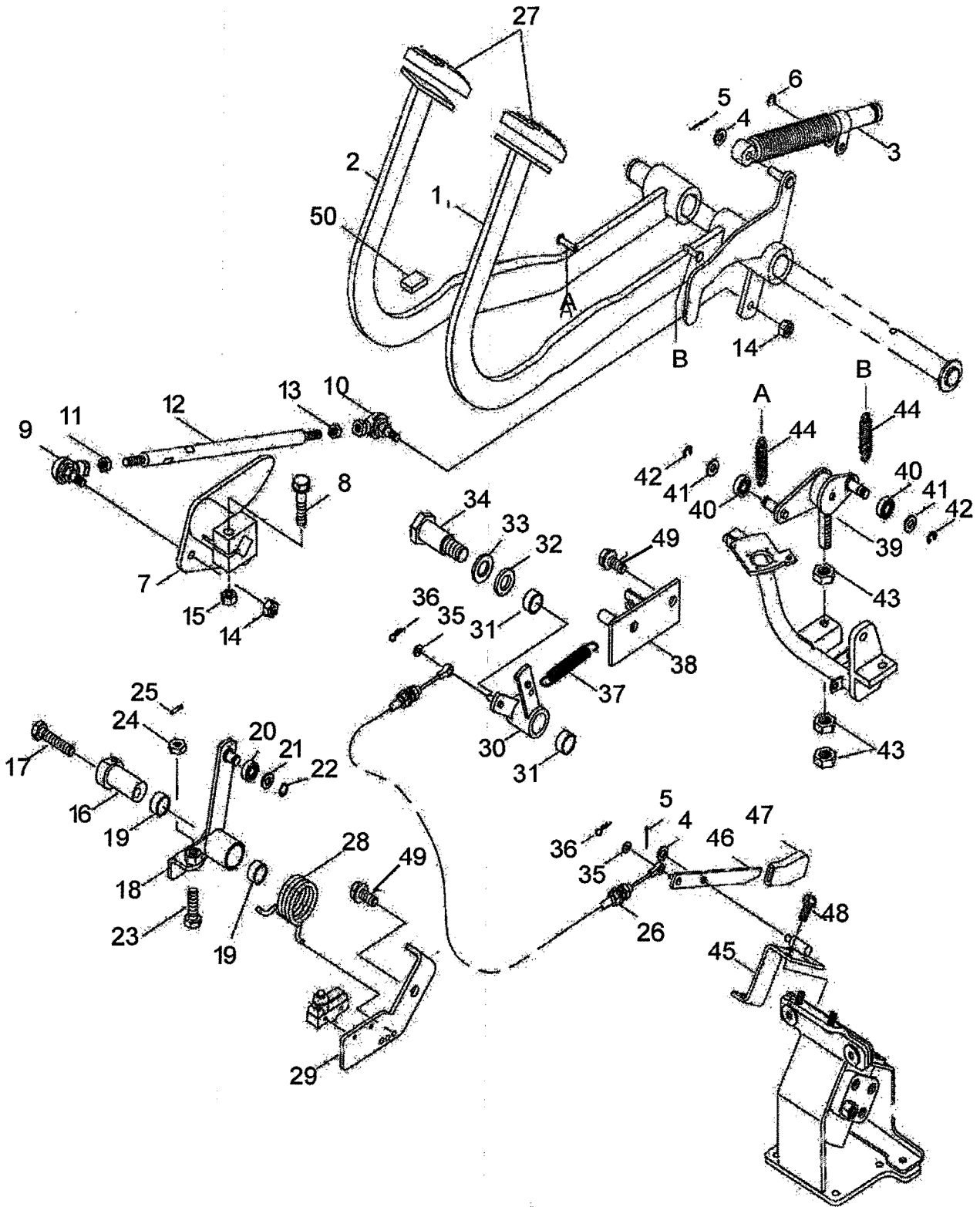
 **Long Agribusiness**

COMMON SENSE SOLUTIONS



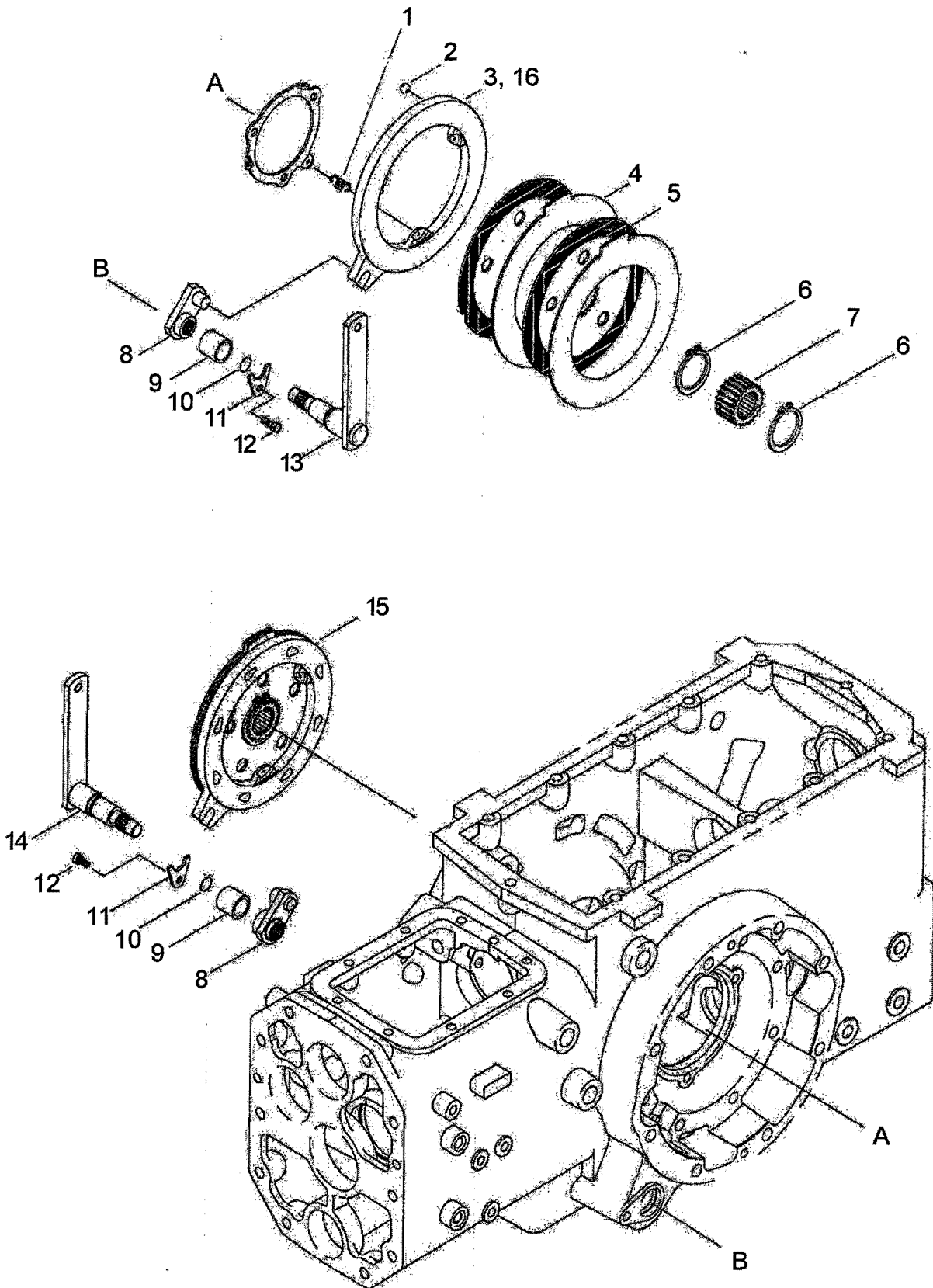
330HST / 390HST

ITEM	LONG No.	VENDOR No.	DESCRIPTION	QTY.	
				330HST	390HST
1	LG4645	A1291215	Pedal, Forward	1	1
2	LG4274	A1291216	Pedal, Backward	1	1
3	LG4275	A1291238	Damper	1	1
4	N630068-S8	S363080013	Washer, Plate (8.4x15.5x1.6)	2	2
5	LG4646	S441202013	Pin, Split	2	2
6	LG1873	S814006003	E-Ring (0.8)	1	1
7	LG4276	S154105533	Plate, Cam	1	1
8	LG1961	S154105533	Bolt, Hex W/Washer (M10x1.25x55)	1	1
9-13	LG4277	A1291220	Forward Rod Assembly	1	1
9	LG4278	A0731033R	End Rod (M8x1.25)	1	1
10	LG4279	A0731033L	End, Rod (M8x1.25)	1	1
11	N620013-S8	S313080013	Nut, Hex (M8x1.25)	1	1
12	LG4280	A1291219	Rod, HST Control	1	1
13	LG4647	A0610059	Nut, Hex (M8x1.25)	1	1
14	LG3623	A1877079	Nut, Lock (M8x1.25)	2	2
15	LG4649	A0610277	Nut, Lock (M10x1.25)	1	1
16	LG4281	A1291224	Shaft, Control	1	1
17	LG4656	S154107033	Bolt, Hex W/Washer (M10x1.25x60)	1	1
18-25	LG4282	A1291213	Neutral Arm Assembly	1	1
18	LG4283	A1291206	Arm, Neutral	1	1
19	LG4284	A0672320	Bushing	2	2
20	LG4285	A0860002	Bearing, Ball (6000ZZ)	1	1
21	N630069-S8	S363100013	Washer, Plate (1.8x20)	1	1
22	LG1302	S810010001	Rin, Snap (10x1.0)	1	1
23	LG4657	A1291257	Bolt, Hex W/Washer (M10x1.25x30)	1	1
24	LG4651	S310100013	Nut, Hex (M10x1.25)	1	1
25	LG4658	S446041812	Pin, Split	1	1
26	LG4287	A1291212	Wire, Cruise	1	1
27	LG4289	A1291214	Pad, Pedal	2	2
28	LG4290	A291239	Spring	1	1
29	LG4286	A1291210	Bracket, Wire	1	1
30-31	LG4291	A1291240	Arm, Cruise Control	1	1
31	LG4292	A0677615	Bushing	2	2
32	LG4659	S361160013	Washer, Spring (M24)	1	1
33	LG4660	S364160013	Washer (17x30x3.0)	1	1
34	LG4295	A1291225	Shaft, Cruise	1	1
35	N630067-S8	S363060013	Washer, Plate (6.4x11.5x1.6)	2	2
36	LG4334	S441162013	Pin, Split (1.4x20)	2	2
37	LG4296	A0691099	Spring	1	1



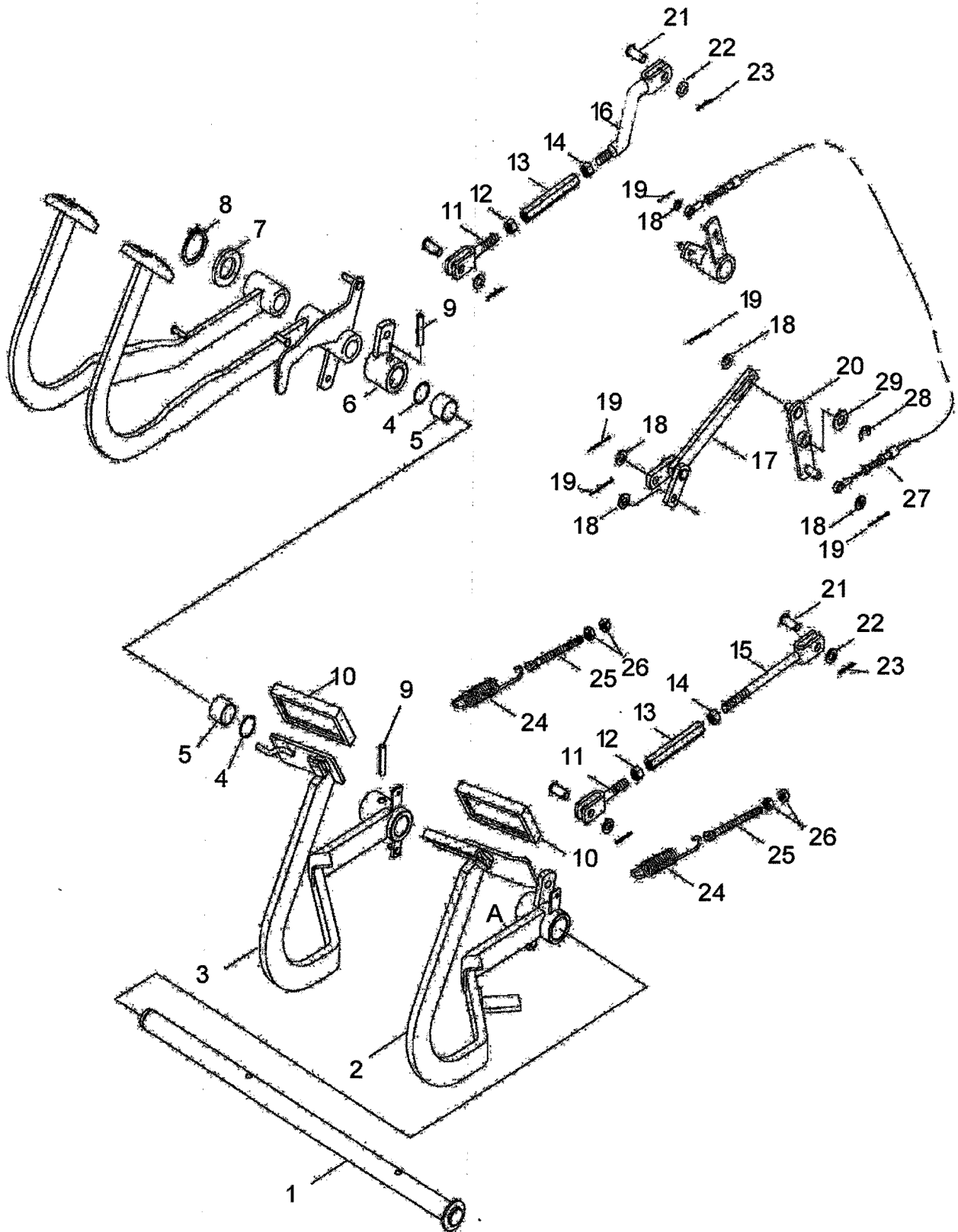
**330HST / 390HST**

ITEM	LONG No.	VENDOR No.	DESCRIPTION	QTY.	
				330HST	390HST
38	LG4297	A1291226	Stopper, Arm	1	1
39-42	LG4298	A1291251	F/R Interlock Link Assembly	1	1
39	N/A	N/A	Link, F/R Interlock	1	1
40	LG4285	A0860002	Bearing, Ball (6000ZZ)	2	2
41	N630069-S8	S363100013	Washer, Plate (1.8x20)	2	2
42	LG1875	S814009003	Ring, Snap (9x0.8)	2	2
43	LG4653	S312140013	Nut, Hex (M14)	3	3
44	LG4299	A1291252	Spring	2	2
45	LG4300	A1291209	Bracket, Cruise	1	1
46	LG4301	A1291211	Lever, Cruise	1	1
47	LG4302	A5002309	Grip	1	1
48	LG1951	S153082033	Bolt, Hex W/Washer (M8x1.25x20)	2	2
49	LG4652	S154102033	Bolt, Hex W/Washer (M10x1.25x20)	3	3
50	LG4663	A1291256	Rubber	1	1



**330HST / 390HST**

ITEM	LONG No.	VENDOR No.	DESCRIPTION	QTY.	
				330HST	390HST
1-7	LG2297	A1650072	Brake Assembly (LH)	1	1
1	LG2010	3A1653010	Spring (2)	6	6
2	LG2009	3A1653007	Ball (1/2)	16	16
3	LG2301	A1650077	Plate, Cam (LH)	1	1
4	LG1361	A1653065	Plate, Pressure	4	4
5	LG1090	A1653063	Plate, Friction	4	4
6	N661242-S	S810058001	Ring, Snap (58x2)	4	4
7	LG2302	A1650078	Boss, Spline	2	2
8	LG2303	A1650079	Inner Arm, Brake	2	2
9	LG4166	A0677815	Bushing, DU (22x25x21)	2	2
10	LG1276	S801022010	O-Ring (22x2.4)	2	2
11	LG4320	A1650091	Plate, Brake Lever	2	2
12	LG1862	S154102033	Bolt, Hex (M10x1.25x20)	2	2
13	LG4321	A1650094	Lever, Brake (LH)	1	1
14	LG4322	A1650095	Lever, Brake (RH)	1	1
15	LG2296	A1650071	Brake Assembly (RH)	1	1
16	LG3368	A1650076	Plate, Cam	1	1

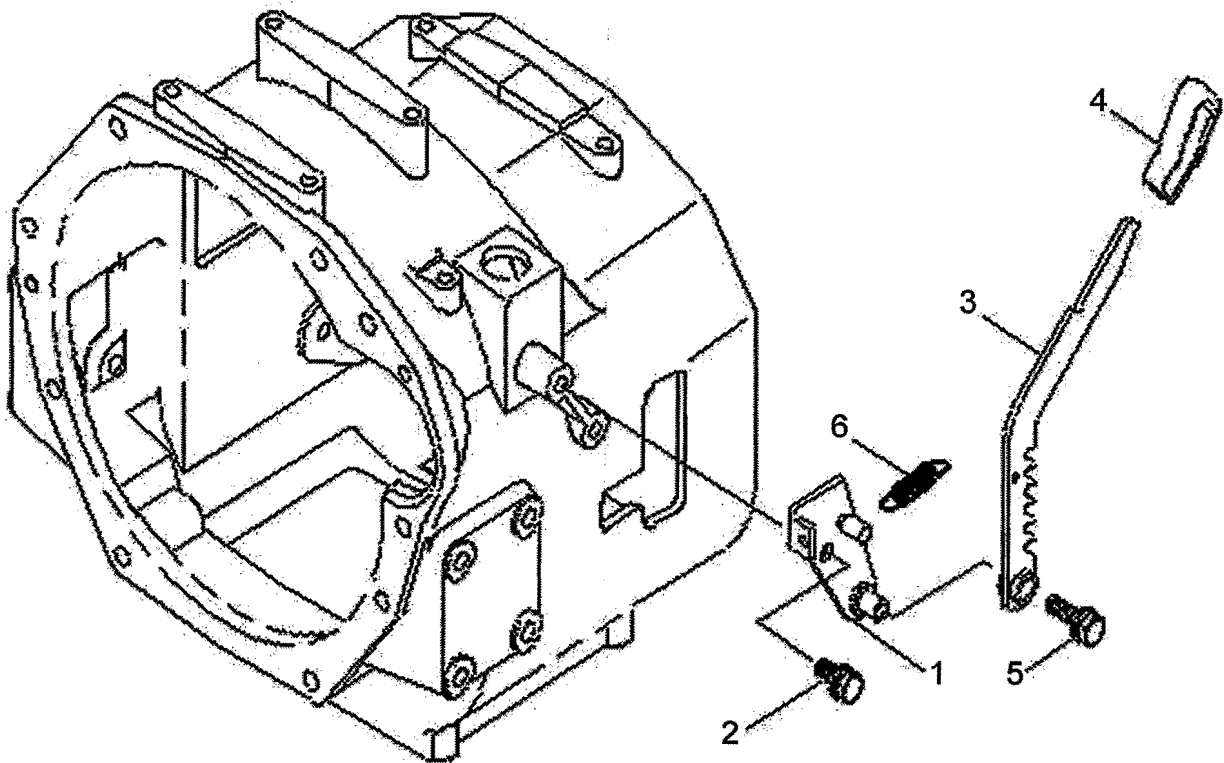


**330HST / 390HST**

ITEM	LONG No.	VENDOR No.	DESCRIPTION	QTY.	
				330HST	390HST
1	LG4323	A1670249	Shaft, Brake Pedal	1	1
2	LG4324	A1670247	Pedal, Brake (LH)	1	1
3	LG4325	A1670248	Pedal, Brake (RH)	1	1
4	LG1297	S801025010	O-Ring (25x3.5)	2	2
5	LG2464	A1870203	Bushing (25x28x20)	2	2
6	LG4326	A1670240	Arm, Brake	1	1
7	LG4294	S364240013	Washer, Plain (25x44x4.0)	1	1
8	N661221-S8	S810025001	Ring, Snap (25x1.2)	2	2
9	N64668-S8	S446084012	Pin, Spring (8x40)	2	2
10	LG1304	A1670084	Pad, Pedal	2	2
11-15	LG4327	A1670245	Brake Rod Assembly (LH)	1	1
11	LG4328	A1670243	Rod B, Brake	2	2
12	LG4354	S312100013	Nut, Hex (M10x1.25)	2	2
13	LG4329	A1260078	Adjust	2	2
14	LG4655	A0610072	Nut, Hex (M10x1.25)	2	2
15	LG4330	A1670242	Rod A, Brake	1	1
11-14,16	LG4331	A1670246	Brake Rod Assembly (RH)	1	1
16	LG4332	A1670244	Rod C, Brake	1	1
17	LG4333	A1670259	Link 2, Cruise	1	1
18	N630067-S8	S363060013	Washer, Plain (6.4x11.5x1.6)	5	5
19	LG4334	S441162013	Pin, Clip	5	5
20	LG4335	A1670258	Link 1, Cruise	1	1
21	LG1911	A1670118	Pin, Clevis (10x26)	4	4
22	N630069-S8	S363100013	Washer, Plain (10.5x18x2.0)	4	4
23	N642565-S8	S441302013	Pin, Cotter (3.0x20)	4	4
24	LG2314	A1670158	Spring	2	2
25	LG4336	A1260073	Adjuster (M8x1.25)	2	2
26	N620013-S8	S301080043	Nut, Hex (M8x1.25)	4	4
27	LG4337	A1670260	Wire, Cruise	1	1
28	LG1873	S814006003	Ring, Snap (6x0.8)	1	1
29	N630068-S8	S363080013	Washer, Plain (8.4x15.5x1.6)	1	1

330HST / 390HST

ITEM	LONG No.	VENDOR No.	DESCRIPTION	QTY.	
				330HST	390HST
1	LG4338	A1670241	Bracket	1	1
2	LG1916	S156102533	Bolt, Hex W/Washer (M10x1.25x25)	1	1
3	LG4339	A1670239	Ratchet, Parking	1	1
4	LG1199	A1970241	Grip	1	1
5	LG1913	S156103533	Bolt, Hex W/Washer (M10x1.25x35)	1	1
6	LG4340	A0691095	Spring	1	1



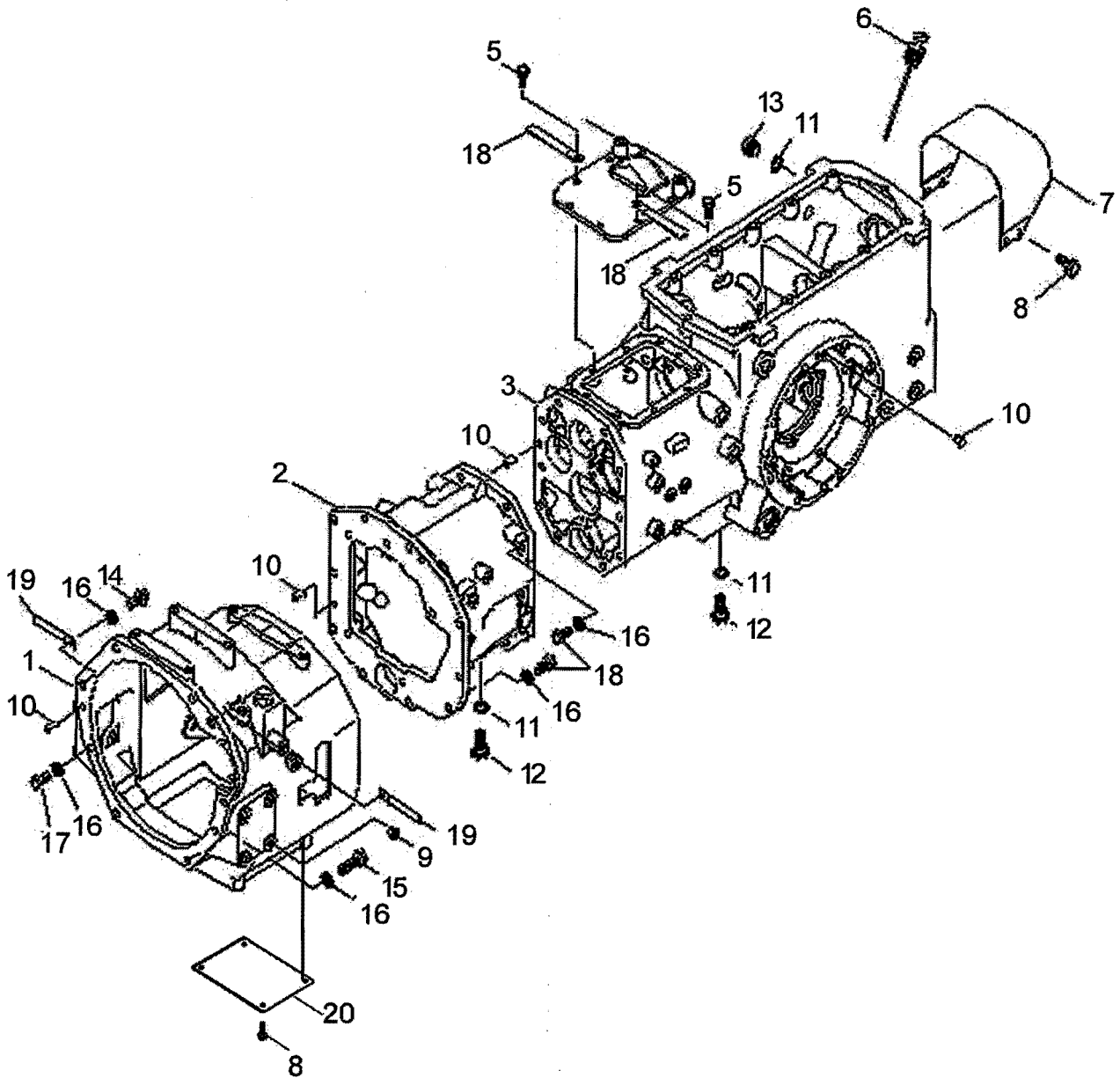
330 HST / 390 HST

SECTION 10

GEAR BOX

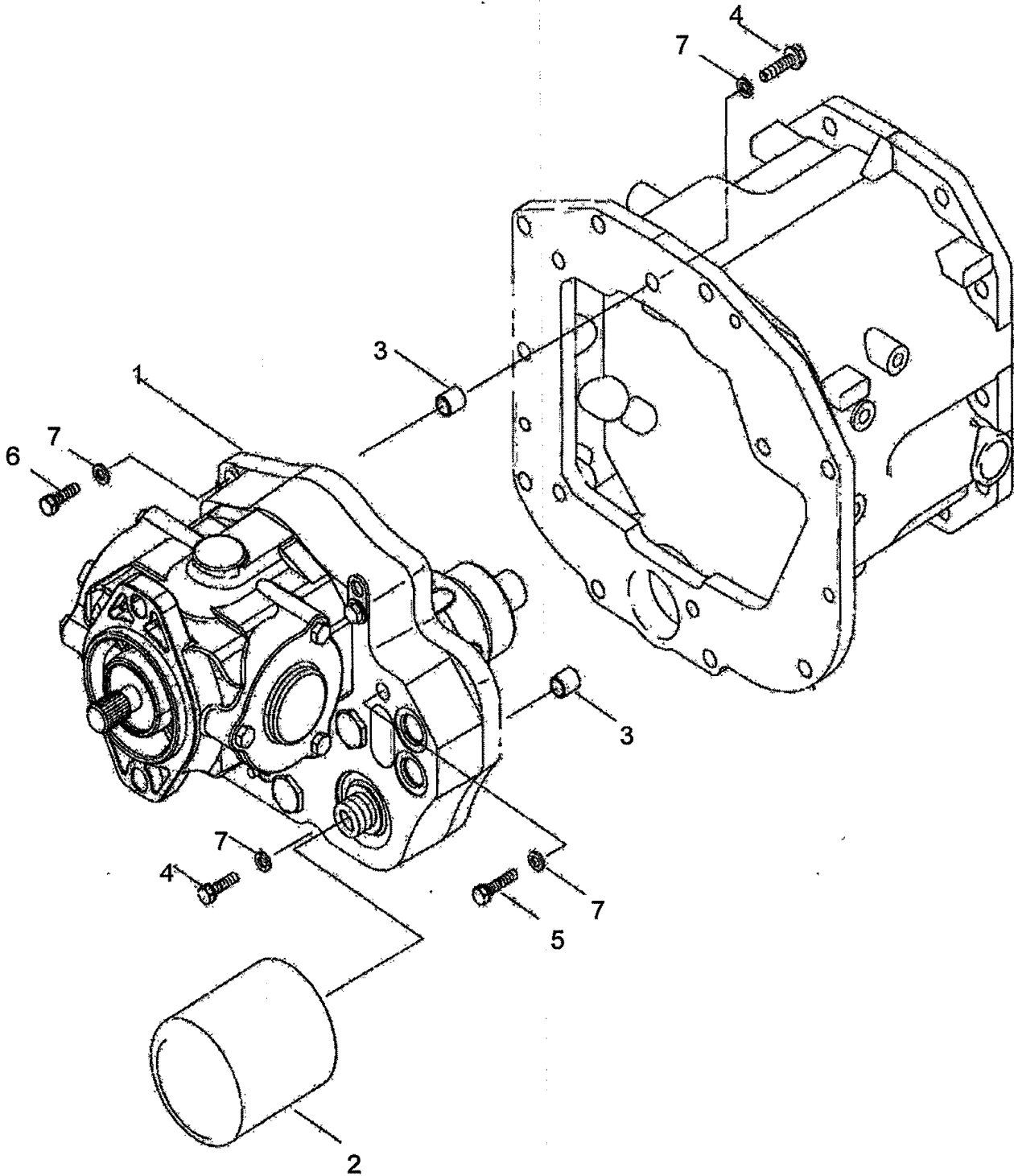
 **Long Agribusiness**

COMMON SENSE SOLUTIONS



**330HST / 390HST**

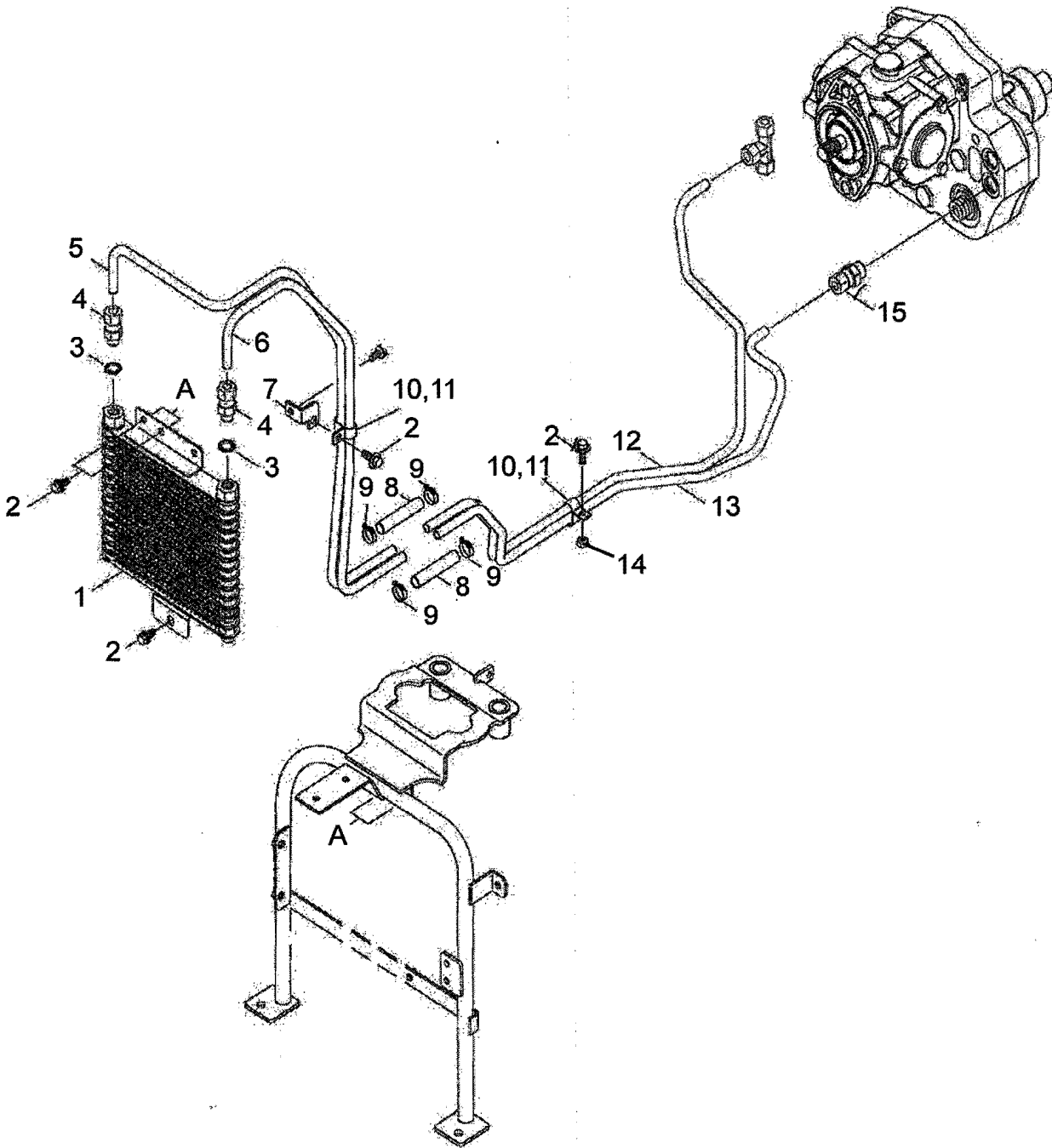
ITEM	LONG No.	VENDOR No.	DESCRIPTION	QTY.	
				330HST	390HST
1	LG4230	A1280158	Housing, HST	1	1
2	LG4231	A1280156	Case, Center	1	1
3	LG4242	A1280182	Case, Axle	1	1
4	LG4233	A1280160	Cover, Axle Case	1	1
5	LG1863	S154102533	Bolt, Hex (M10x1.25x25L)	8	8
6	LG4234	A1280161	Guage, Oil Level	1	1
7	LG3313	A1280102	Cover, PTO	1	1
8	LG1909	S156102033	Bolt, Hex (M10x1.25x20L)	4	4
9	LG1777	3A1970068	Plug	8	8
10	LG1325	S423102010	Pin, Dowel (D10x20L)	10	10
11	LG1395	A10263360	Seal (20x26x1.0)	3	3
12	LG1771	3A1250013	Plug, Magnetic	2	2
13	LG1871	A0610281	Plug, Drain	1	1
14	LG4877	S10212304	Bolt, Hex (M12x1.75x80)	3	2
15	LG1939	S105128543	Bolt, Hex (M12x1.75x85)	2	2
16	N630175S8	S361120013	Washer, Spring (12.2x21.5x3.0)	26	25
17	500235	A105123543	Bolt, Hex (M12x1.75x35)	23	23
18	LG4878	A0640103	Clamp Ring	2	2
19	LG4372	A0641020	Clamp Ring	2	2
20	LG4943	A1280183	Cover, HST Housing	1	1





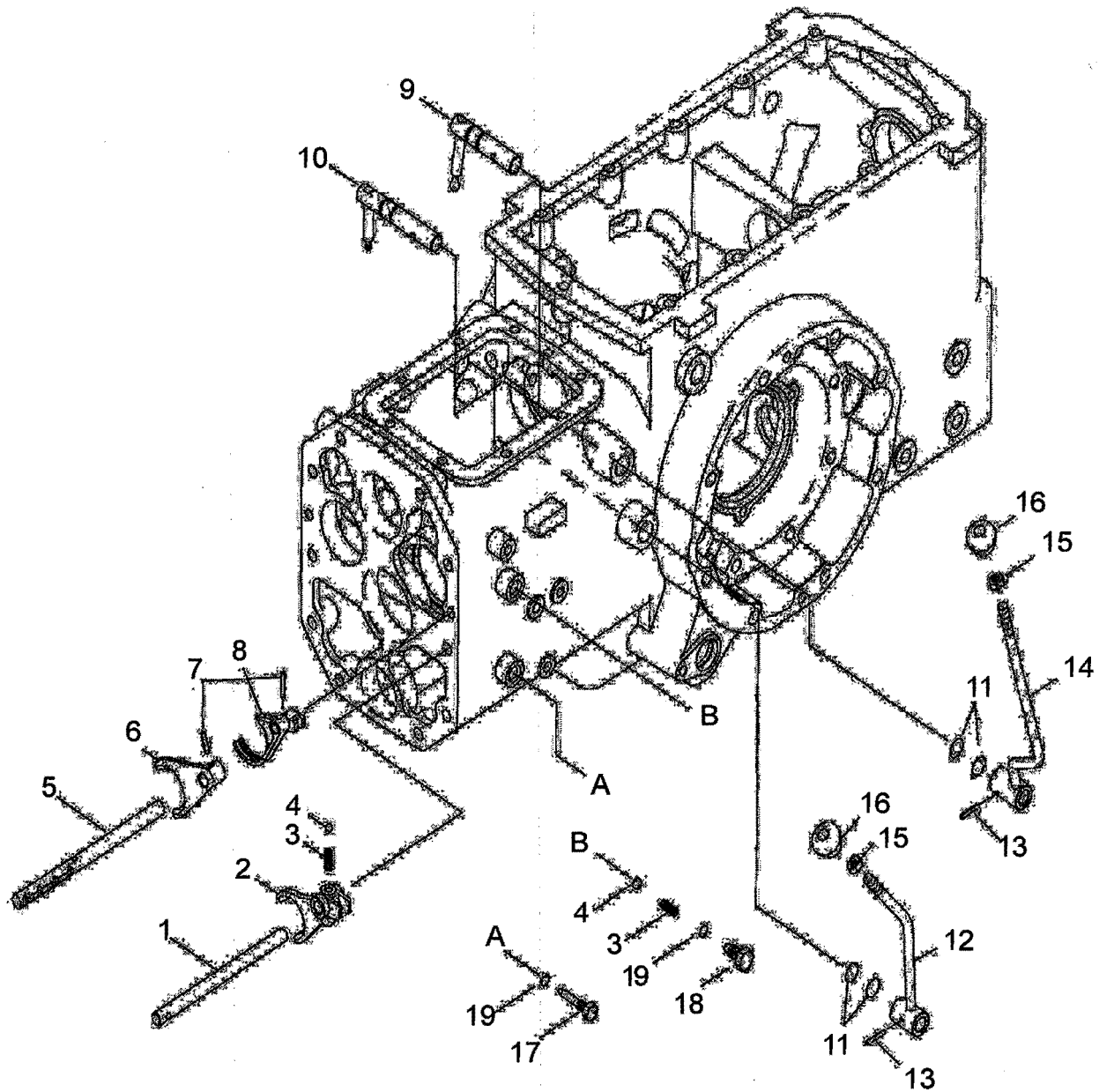
330HST / 390HST

ITEM	LONG No.	VENDOR No.	DESCRIPTION	QTY.	
				330HST	390HST
1	LG4236	A1270001	HST Unit	1	1
2	LG4235	A1270003	Filter, HST	1	1
3	LG4237	A1270002	Dowel Pin	2	2
4	LG4879	S102124033	Bolt, Hex (M12x1.75x40)	2	2
5	LG4880	S102128533	Bolt, Hex (12x1.75x85)	1	1
6	LG4881	S105123533	Bolt, Hex (M12x1.75x35)	2	2
7	N630175S8	S361120013	Washer, Spring (21.5x12.2x3.0)	5	5



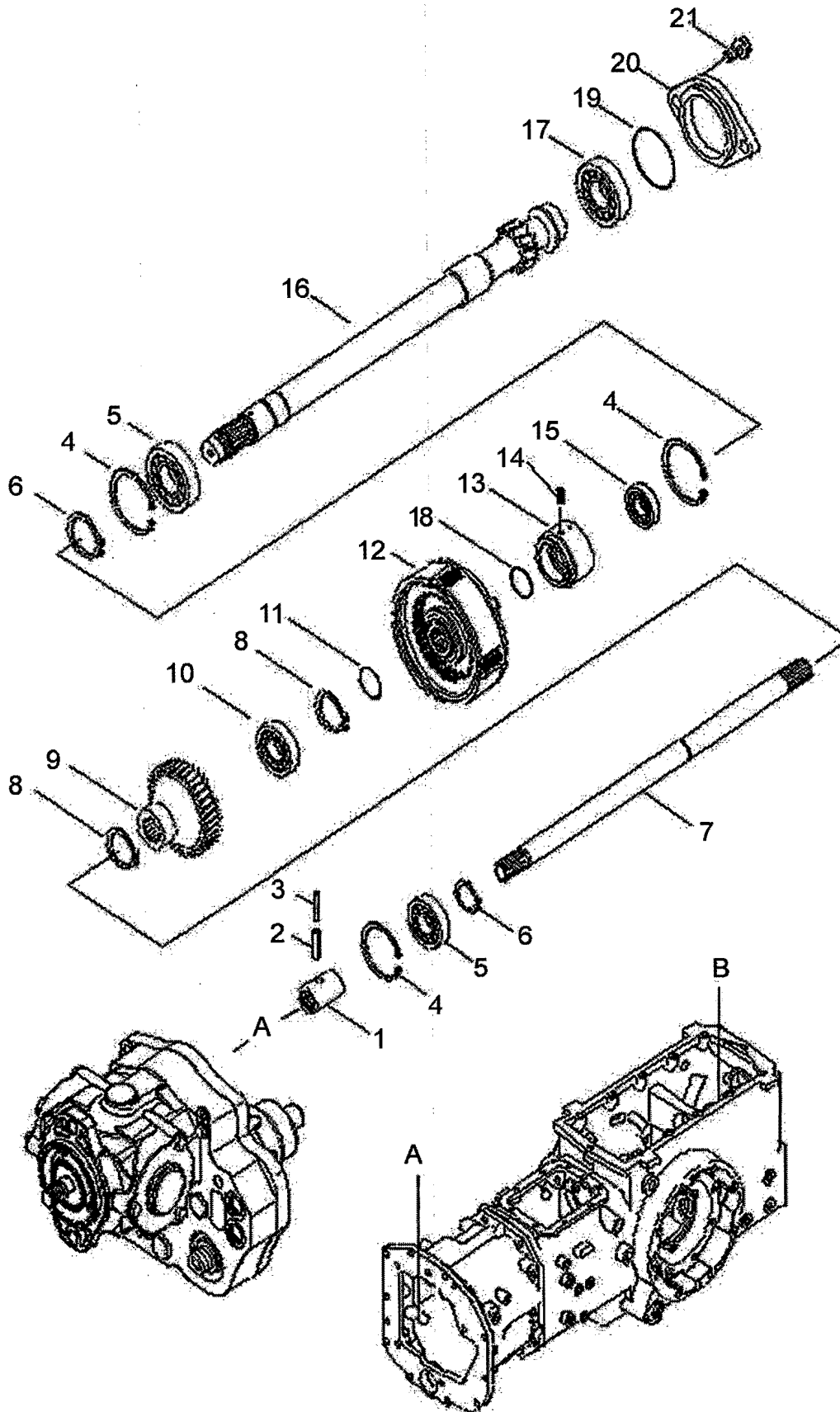
330HST / 390HST

ITEM	LONG No.	VENDOR No.	DESCRIPTION	QTY.	
				330HST	390HST
1	LG4358	A3180673	Cooler, Oil	1	1
2	LG1897	S155082033	Bolt, Hex (M8x1.25x20)	5	5
3	LG3367	A183245	Seal, Bonded	2	2
4	LG4359	A1640008	Joint (M16)	2	2
5	LG4362	A1640004	Pipe, Cooler, In (12)	1	1
6	LG4361	A1640001	Pipe, Cooler Return (12)	1	1
7	LG2513	A1630167	Bracket, Clamp	1	1
8	LG4350	A1640005	Hose, Cooler Joint	2	2
9	LG3615	A1970201B	Clamp	4	4
10	LG4152	A1630165	Clamp	2	2
11	LG2276	A1630166	Rubber	2	2
12	LG4360	A1640003	Pipe A, Cooler In (12)	1	1
13	LG4363	A1640002	Pipe B, Cooler Return (12)	1	1
14	LG1867	S311080013	Nut, Hex (M8x1.25)	1	1
15	LG4355	A1640007	Joint (M22)	1	1



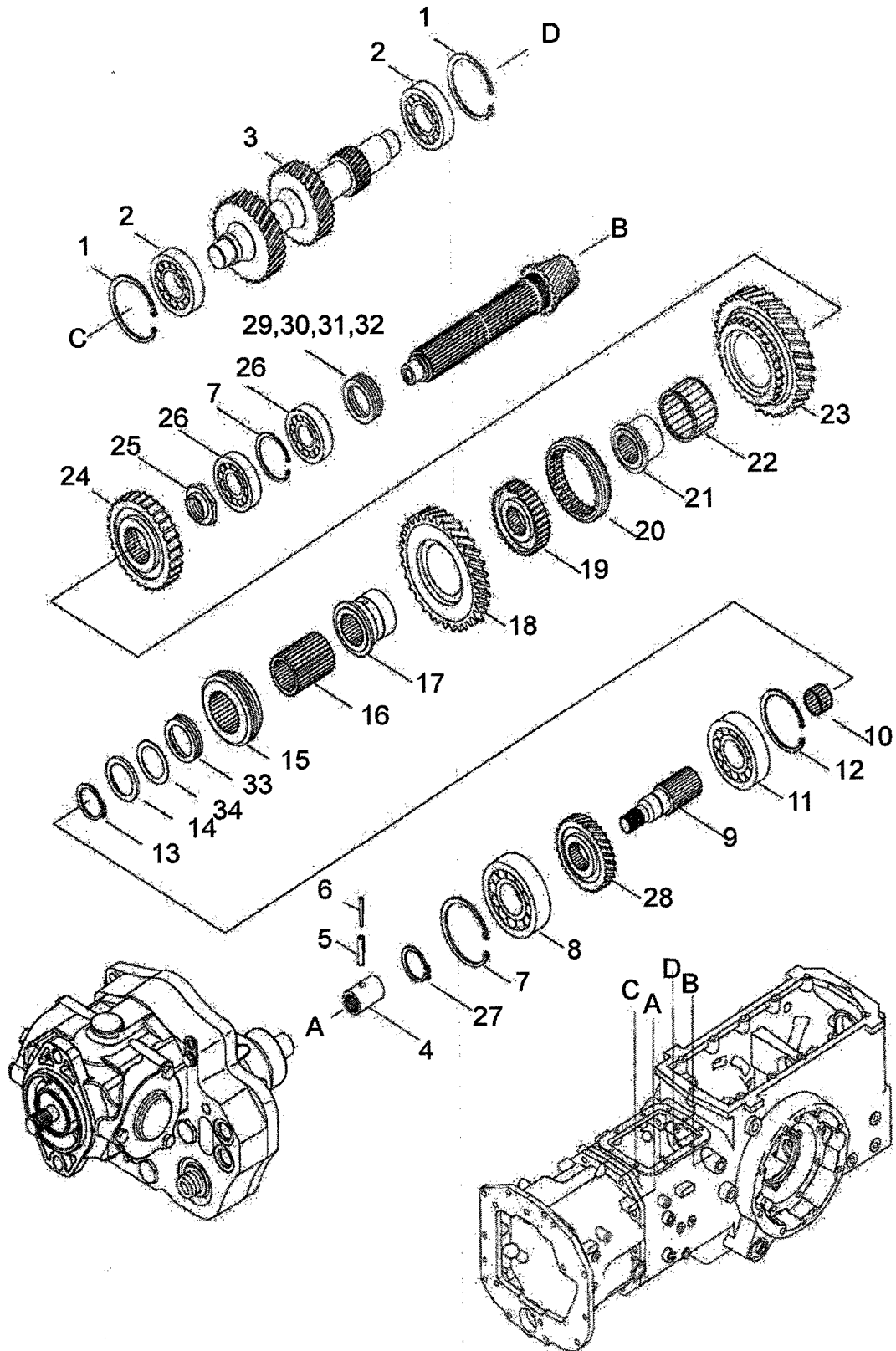
330HST / 390HST

ITEM	LONG No.	VENDOR No.	DESCRIPTION	QTY.	
				330HST	390HST
1	LG4261	A1291234	Rail, 4WD	1	1
2	LG4262	A1291231	Fork, 4WD	1	1
3	LG1489	3A1290011	Spring	2	2
4	LG1707	A20063390	Ball, Shifter Fork (11/32)	2	2
5	LG4263	A1291233	Rail, Range	1	1
6	LG4264	A1291229	Fork, Range Gear (H)	1	1
7	LG4265	S446062512	Pin, Spring (6x25)	2	2
8	LG4266	A1291230	Fork, Range Gear (M,L)	1	1
9	LG4267	A1291237	Lever, 4WD	1	1
10	LG4268	A1291236	Lever, Range	1	1
11	LG1293	S801016010	O-Ring (16x2.4)	4	4
12	LG4269	A1293151	Hand Lever, 4WD	1	1
13	LG4270	S446063512	Pin, Spring (6x35)	2	2
14	LG4271	A1293150	Hand Lever, Range	1	1
15	LG1868	S314100013	Nut (M10x1.25)	2	2
16	LG3641	A1970300	Grip	2	2
17	LG4272	A1291195	Bolt, Self Lock	1	1
18	LG4273	A1291145	Bolt, Rail (M12x1.75x23)	1	1
19	LG1382	S801010A10	O-Ring (9.8x2.4)	2	2



330HST / 390HST

ITEM	LONG No.	VENDOR No.	DESCRIPTION	QTY.	
				330HST	390HST
1-3	LG4238	A1287271	Coupling Assembly	1	1
1	LG4239	A1287270	Coupling	1	1
2	LG4244	S446053610	Pin, Spring (5x36)	1	1
3	500359	S446033210	Pin, Spring (3x32)	1	1
4	B660250-S	S811062001	Ring, Snap (62x2.0)	2	2
5	LG1723	A0863050	Bearing, Ball (6305)	2	2
6	N661221-S	S810025001	Ring, Snap (25x1.2)	2	2
7	LG4240	A1287264	Shaft, PTO Drive	1	1
8	N661218-S	S810022001	Ring, Snap (22x1.2)	2	2
9	LG2152	A1283191	Hub, PTO Clutch	1	1
10	LG2046	A0860040	Bearing, Ball (6004)	1	1
11	LG1050	S804020010	O-Ring (S20x1.5)	1	1
12	LG2175	A1287185	Clutch, PTO	1	1
13	LG2153	A1283192	Sleeve, Hydraulic Circuit	1	1
14	LG1915	S202082021	Screw, Set, Socket (M8x1.25x20)	1	1
15	LG2047	A0860050	Bearing, Ball (6005)	1	1
16	LG4084	A1287217	Shaft, PTO Drive	1	1
17	LG1724	A0863060	Bearing, Ball (6306)	1	1
18	LG3321	A1281229	Ring, Piston	1	1
19	LG1301	S804070010	O-Ring (S70x2.0)	1	1
20	LG3315	A1280090	Cover, PTO Drive Shaft	1	1
21	LG1863	S154102533	Bolt, Hex (M10x1.25x25)	2	2



330HST / 390HST

ITEM	LONG No.	VENDOR No.	DESCRIPTION	QTY.	
				330HST	390HST
1	N660250-S	S811062001	Ring, Snap (62x2)	2	2
2	LG1723	A0863050	Bearing, Ball (6305)	2	2
3	LG4241	A1285203	Shaft, Sub Drive	1	1
4-6	LG4242	A1285211	Coupling Assembly	1	1
4	LG4243	A1285212	Coupling (68x2.5)	1	1
5	LG4244	S446053610	Pin, Spring (5.4x36)	1	1
6	500359	S446033210	Pin, Spring (3.3x32)	1	1
7	N660257-S	S811072001	Ring, Snap (72x2.5)	2	2
8	LG1720	A0862070	Bearing, Ball	1	1
9	LG4245	A1285200	Shaft, Range 1ST	1	1
10	LG2471	A1970274	Bearing, Needle (20x26x20)	1	1
11	LG2049	A0860080	Bearing, Ball (6008)	1	1
12	N660255-S	S811068001	Ring, Snap (68x2.5)	1	1
13	N661221-S	S810025001	Ring, Snap (25x1.5)	1	1
14	LG4246	A1285213	Spacer, Range	1	1
15	LG4247	A1285209	Sleeve, Range H	1	1
16	LG4248	A1285208	Spacer, Spline	1	1
17	LG4249	A1285210	Sleeve, Gear	1	1
18	LG4250	A1285204	Gear, Range Driven (39)	1	1
19	LG4251	A1285206	Hub, Range L/M	1	1
20	LG4252	A1285202	Sleeve, Range L/M	1	1
21	LG2117	A1281303	Sleeve, FR	1	1
22	LG1711	3A1970157	Bearing, Needle (40x45x27)	1	1
23	LG4253	A1285205	Gear, Range Driven (47)	1	1
24	LG4254	A1288098	Gear, 4WD Driven (44)	1	1
25	LG1914	A1287079	Nut, Lock (M35x1.5)	1	1
26	LG2227	A1326032	Bearing, Taper (32207C)	2	2
27	N661228-S	S810035001	Ring, Snap (35x1.5)	1	1
28	LG4255	A1285201	Gear, Range Driven (30)	1	1
29	LG2058	A0870451	Shim (36x46x0.15)	AR	AR
30	LG2059	A0870452	Shim (36x46x0.2)	AR	AR
32	LG2060	A0870455	Shim (36x46x0.5)	AR	AR
33	LG2061	A0870458	Shim (36x46x1.0)	AR	AR
34	LG4882	A1285235	Shim, Range (25x35x0.6)	AR	AR

Notes

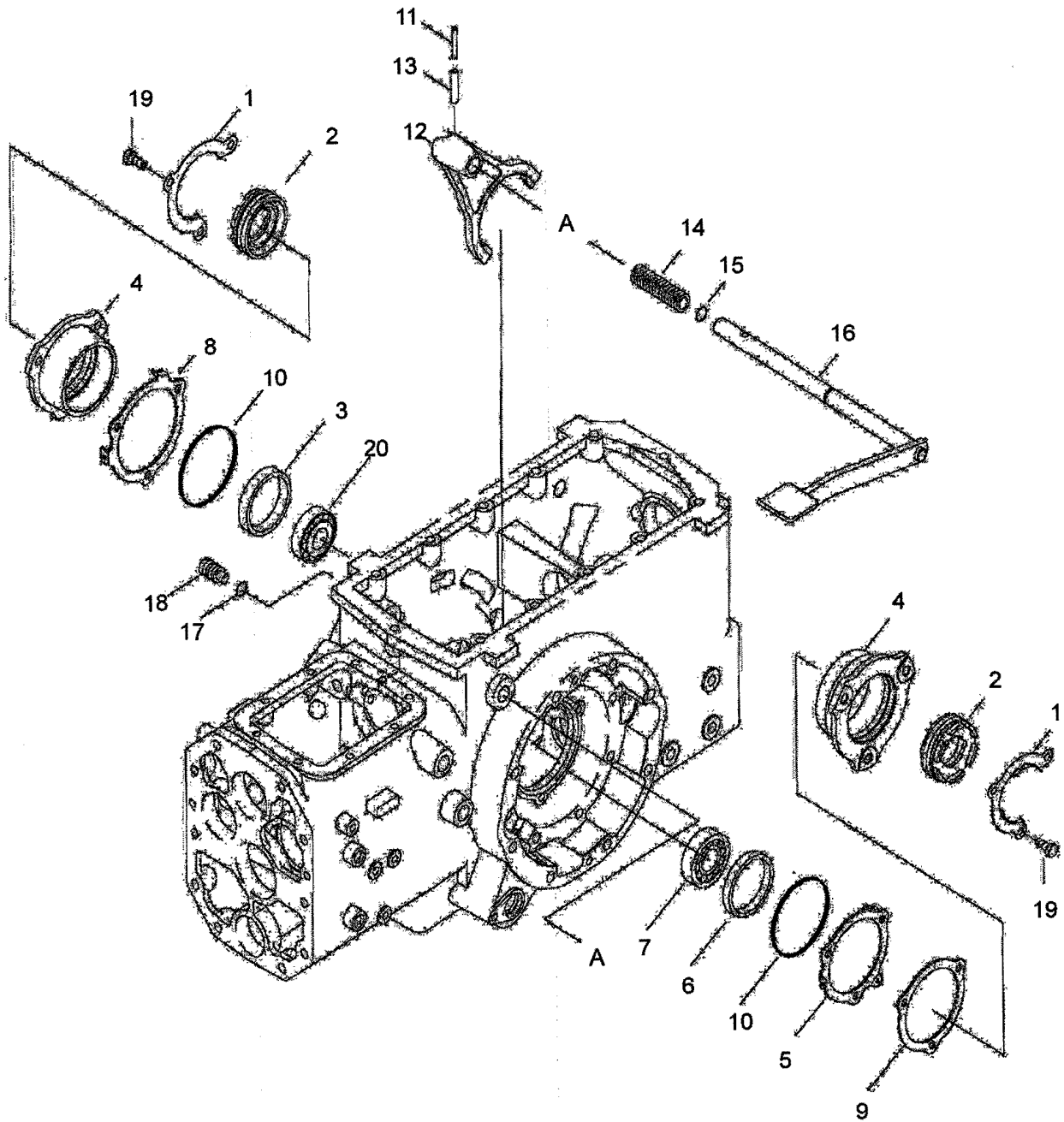
330 HST / 390 HST

SECTION 11

REAR AXLE HOUSING AND DIFFERENTIAL

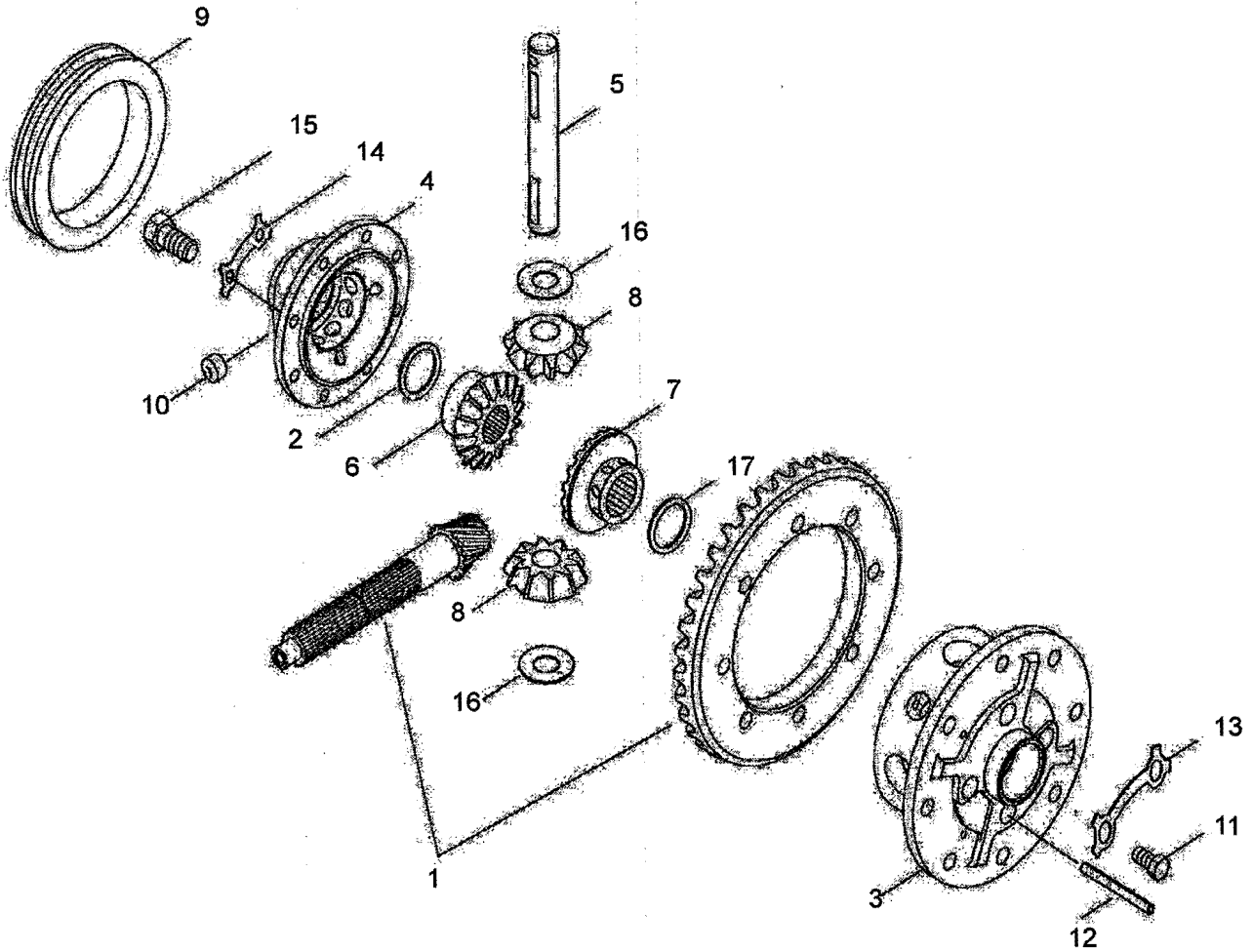
 **Long Agribusiness**

COMMON SENSE SOLUTIONS



**330HST / 390HST**

ITEM	LONG No.	VENDOR No.	DESCRIPTION	QTY.	
				330HST	390HST
1	LG2231	A1326050	Plate, Lock	2	2
2	LG1772	3A1326005	Grand Nut (M85x1.5)	2	2
3	LG4303	A1326066	Spacer (77x89.1x8)	1	1
4	LG2229	A1326048	Support, Differential	2	2
5	LG2299	A1650074	Holder, Spring (LH)	1	1
6	LG4304	A1326065	Spacer (77x89.1x141)	1	1
7	LG1722	A0862100	Bearing, Ball (6210)	1	1
8	LG4305	A1650096	Holder, Spring (RH)	1	1
9	LG4306	A1326064	Spacer, Differential	1	1
10	LG1283	S802110010	O-Ring (110x3.1)	2	2
11	LG4307	S446054012	Pin, Spring	1	1
12	LG4308	A1326063	Fork, Differential	1	1
13	N646684-S8	S446084012	Pin, Spring (8x40)	1	1
14	LG1493	A1326047	Spring	1	1
15	LG1293	S801016010	O-Ring (16x2.4)	1	1
16	LG4309	A1326062	Pedal, Differential	1	1
17	LG1294	S801021010	O-Ring (21x2.4)	1	1
18	LG1689	A1326046	Screw, Adjust (M22x1.5)	1	1
19	500198	S165102543	Bolt, Hex (M10x1.25x25)	6	6
20	LG1736	A26799980	Bearing, Taper Roller (30210)	1	1



**330HST / 390HST**

ITEM	LONG No.	VENDOR No.	DESCRIPTION	QTY.	
				330HST	390HST
1-18	LG4310	A1324111	Differential Assembly	1	1
1	LG4311	A1324112	Ring & Pinion Gear Set	1	1
2	LG1929	3A1324003	Washer, Thrust (55x74x0.8)	1	1
3	LG3328	A1324091	Case, Differential 1	1	1
4	LG3329	A1324074	Case, Differential 2	1	1
5	LG3330	A1324075	Shaft	1	1
6	LG3331	A1324061	Gear, Differential Side (LH) (15)	1	1
7	LG3332	A1324062	Gear, Differential Side (RH)	1	1
8	LG3333	A1324060	Gear, Pinion Mate (10)	2	2
9	LG3334	3A1324007	Hub, Differential Lock	1	1
10	LG3335	3A1324014	Roller (12x1.5)	10	10
11	LG1924	A1324090	Bolt, Hex (M12x1.25x23)	8	8
12	N646661S8	S446065010	Pin, Spring (6x50)	1	1
13	LG3336	3A1324012	Plate, Locking (1.0)	4	4
14	LG1925	A1324079	Washer, Lock (2) (1.0)	4	4
15	LG1926	S105082043	Bolt, Hex (M8x1.25x20)	8	8
16	LG1927	3A1970123	Washer, Thrust (0.8)	2	2
17	LG1928	3A1970122	Washer, Thrust (0.8)	1	1

Notes

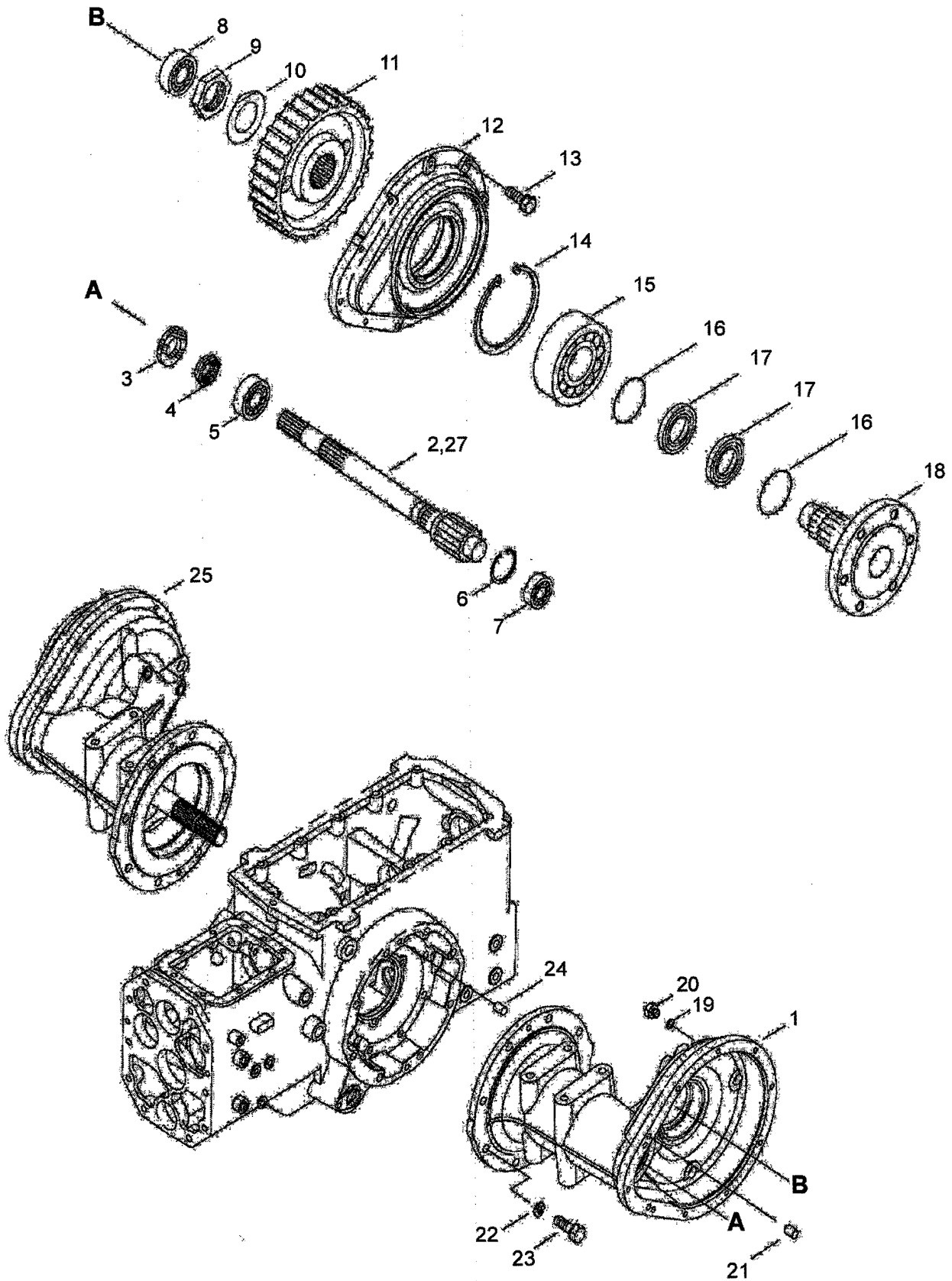
330 HST / 390 HST

SECTION 12

FINAL DRIVE HOUSING

 **LongAgribusiness**

COMMON SENSE SOLUTIONS



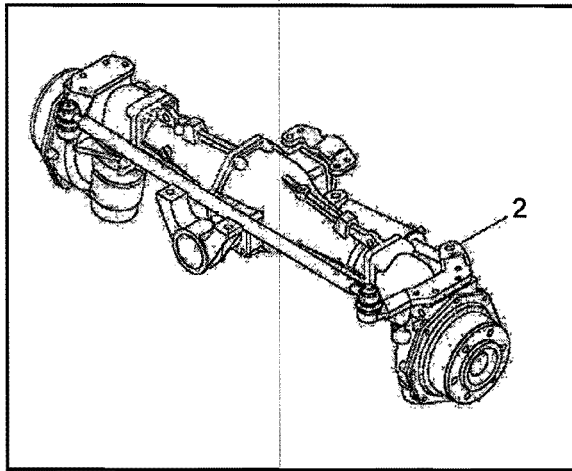
330HST / 390HST

ITEM	LONG No.	VENDOR No.	DESCRIPTION	QTY.	
				330HST	390HST
1-21	LG4312	A1480095	Front Drive Assembly (LH)	1	1
1	LG4313	A1480097	Case, Final Drive (LH)	1	1
2	LG4314	A1481061	Pinion, Final Drive (18T,R)	2	2
3	LG4883	A1480102	Seal, Oil (TB38558)	2	2
4	LG1938	A1481040	Nut, Lock (M40x1.0)	2	2
5	LG1726	A0863080	Bearing, Ball (6308)	2	2
6	N660264S	S811090001	Ring, Snap (90x3)	2	2
7	LG2050	A0863070	Bearing, Ball (6307)	2	2
8	LG2051	A0863090	Bearing, Ball (6309)	2	2
9	LG1940	A1481041	Nut, Lock (M55x1.5)	2	2
10	LG2268	A1481042	Plate, Lock (56x96x1.5)	2	2
11	LG4315	A1481060	Gear, Front Drive (65 T,L)	2	2
12	LG2260	A1480067	Cover, Front Drive	2	2
13	LG1941	S154104033	Bolt, Hex (M10x1.25x40)	20	20
14	LG1942	S811140001	Ring, Snap (14x4)	2	2
15	LG2052	A0863130	Bearing, Ball (6313)	2	2
16	LG2259	A1480058	O-Ring (117x7)	4	4
17	LG2258	A1480057	Retainer	4	4
18	LG2267	A1481039	Shaft, Rear Axle	2	2
19	LG4316	A1026360	Seal, Oil (20x26x1.5)	2	2
20	LG1781	A0610281	Plug, Drain (M20x105)	2	2
21	LG1943	S421102010	Pin, Dowel (15x20)	2	2
22	N630187S8	S361140013	Washer, Spring (14.2x24.5x3.5)	16	16
23	LG1937	S101144043	Bolt, Hex(M14x2.0x40)	16	16
24	LG1325	S423102010	Pin, Dowel (10x20)	4	4
25	LG4317	A1480096	Front Drive Assembly (RH)	1	1
26	LG4318	A1480098	Case, Final Drive (RH)	1	1
27	LG4319	A1481062	Pinion, Front Drive (18T,R)	1	1

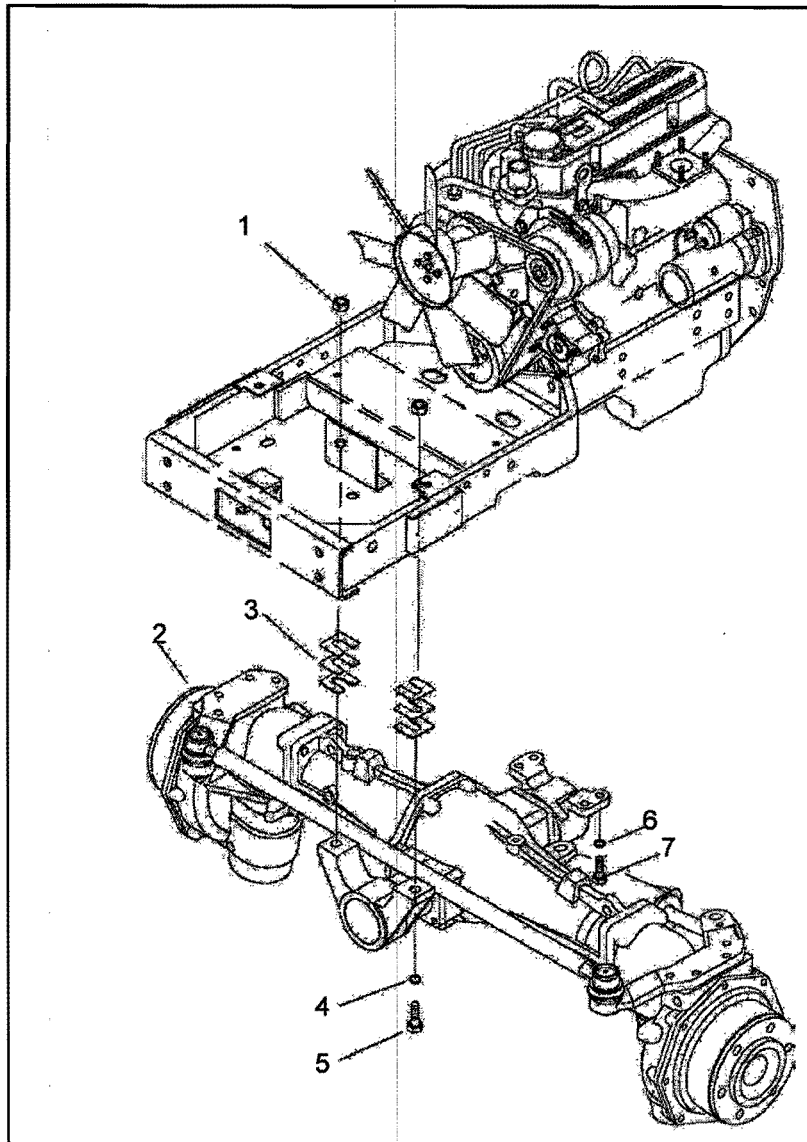
Notes



FRONT AXLES



330HST



390HST

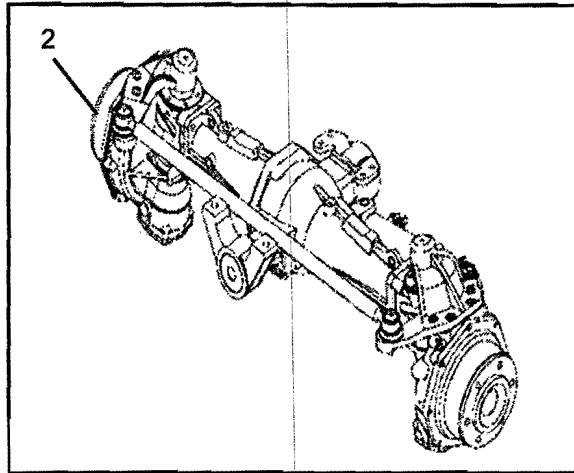
FRONT AXLE ASSEMBLY (OLD STYLE)

330HST / 390HST

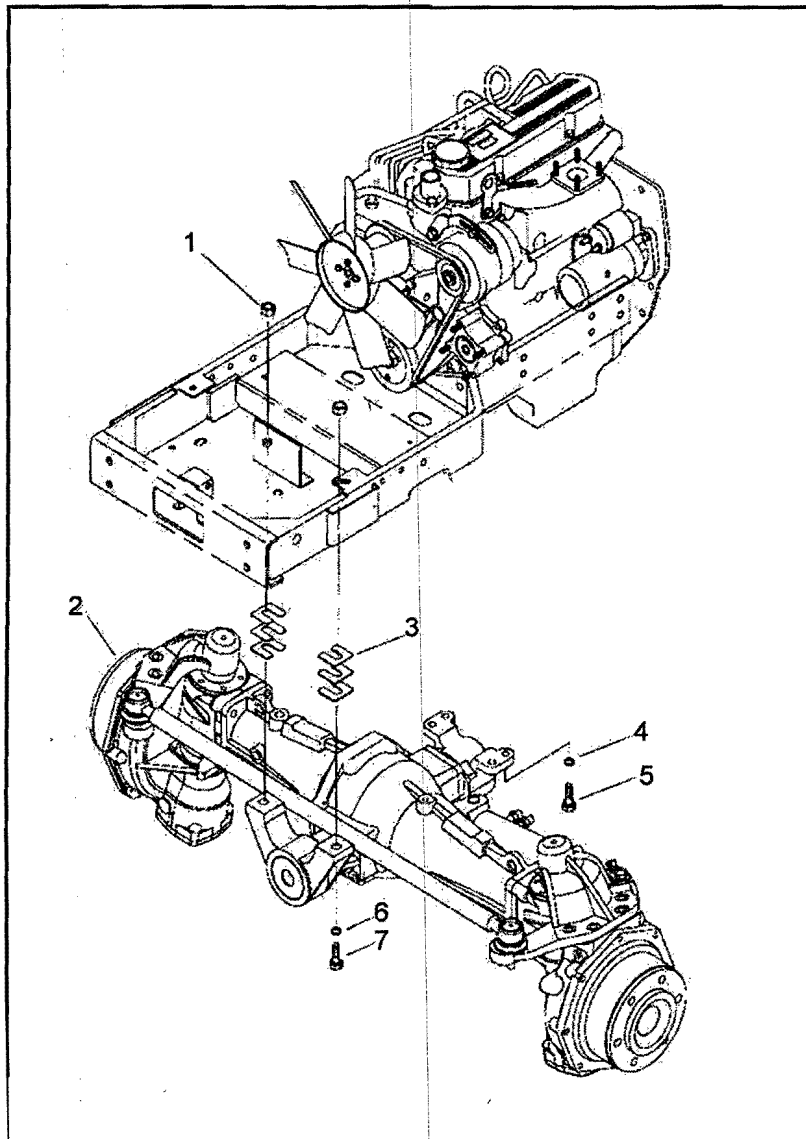
ITEM	LONG No.	VENDOR No.	DESCRIPTION	QTY.	
				330HST	390HST
1	(S) LG1930	A1400129	Nut, Lock (M16x1.5)	2	2
2	(S) LG3337	A1400165	Front Axle Assembly	-	1
-	(S) LG4341	A1400256	Front Axle Assembly	1	-
3	(S) LG2250	A1400130	Shim (0.4)	AR	AR
-	(S) LG2251	A1400131	Shim (1.2)	AR	AR
-	(S) LG2252	A1400132	Shim (2.3)	AR	AR
4	(S) N630176S8	S861160013	Washer, Spring (16.2x28x4.0)	2	2
5	(S) LG1931	S103164543	Bolt, Hex (M16x1.5x45)	2	2
6	(S) N630175S8	S361120013	Washer, Spring (12.2x12.5x3.0)	4	4
7	(S) LG1932	S107123543	Bolt, Hex (M12x1.25)	4	4

Service Serial Number Breaks:

1-7 This front Axle Assembly is effective up to and including Serial Number : 330 HST - 33HC00168
 390 HST - 39HC00192



330HST



390HST

FRONT AXLE ASSEMBLY (NEW STYLE)



330HST / 390HST

ITEM	LONG No.	VENDOR No.	DESCRIPTION	QTY.	
				330HST	390HST
1	(S) LG1930	A1400129	Nut, Lock (M16x1.5)	2	2
2	(S) LG4932	A1400287	Front Axle Assembly	-	1
-	(S) LG4933	A1400301	Front Axle Assembly	1	-
3	(S) LG2250	A1400130	Shim (0.4)	AR	AR
-	(S) LG2251	A1400131	Shim (1.2)	AR	AR
-	(S) LG2252	A1400132	Shim (2.3)	AR	AR
4	(S) N630176S8	S861160013	Washer, Spring (16.2x28x4.0)	2	2
5	(S) LG1931	S103164543	Bolt, Hex (M16x1.5x45)	2	2
6	(S) N630175S8	S361120013	Washer, Spring (12.2x12.5x3.0)	4	4
7	(S) LG1932	S107123543	Bolt, Hex (M12x1.25)	4	4

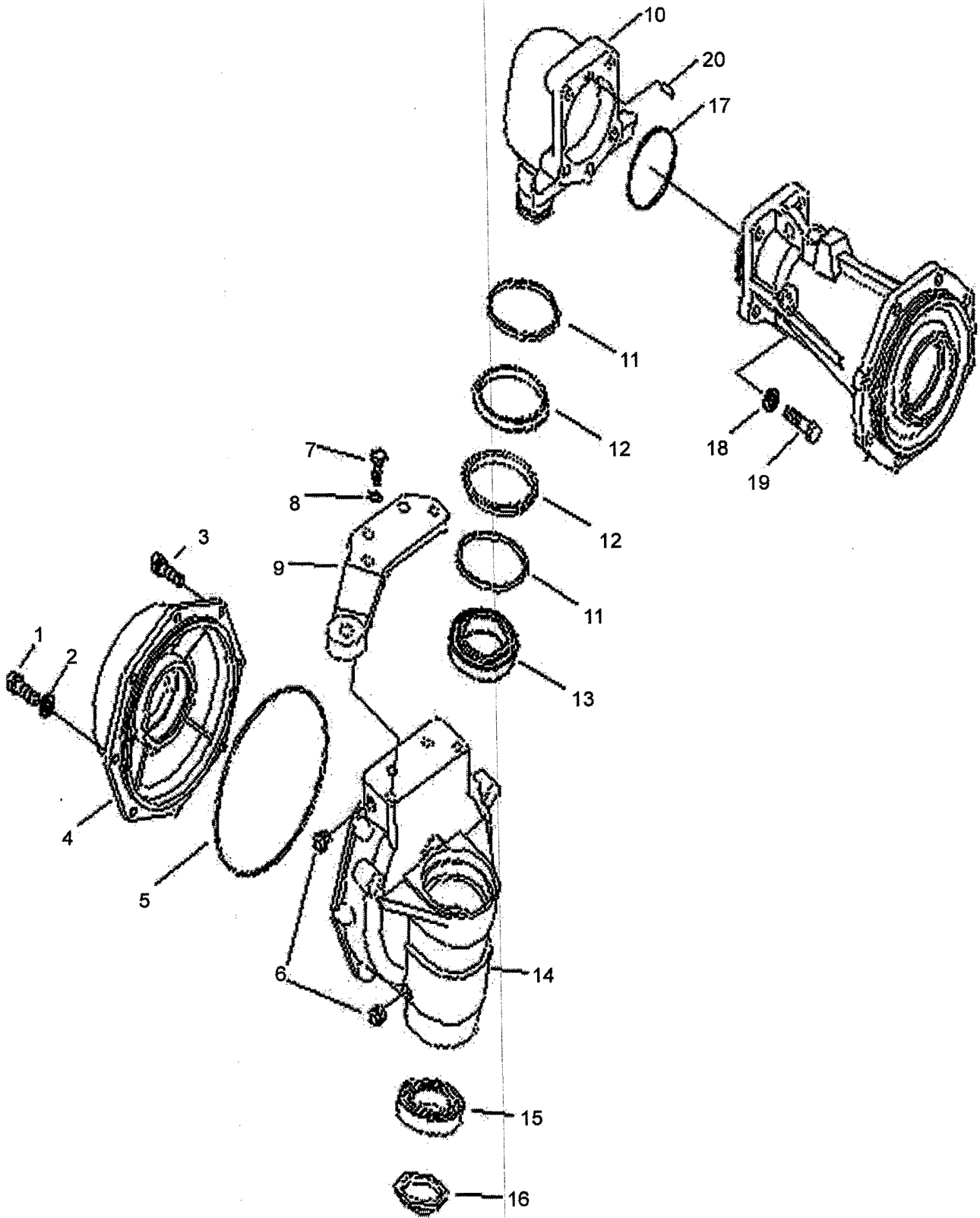
Service Serial Number Breaks:

1-7 This Front Axle Assembly is effective from and above :

330 HST - 33HC00169

390 HST - 39HC00193

FRONT AXLE ASSEMBLY (NEW STYLE)



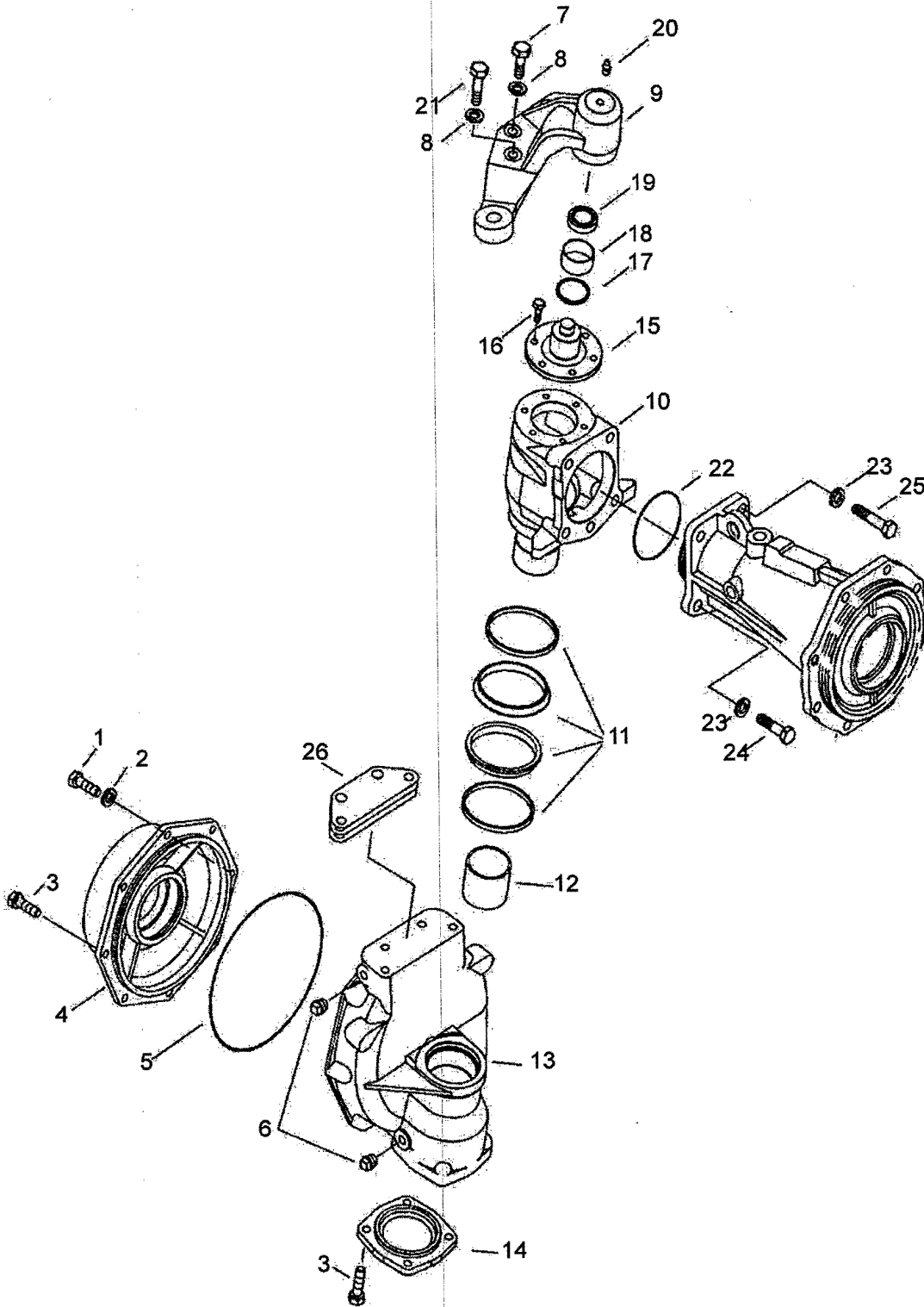
FRONT AXLE CASE (OLD STYLE)

330HST / 390HST

ITEM	LONG No.	VENDOR No.	DESCRIPTION	QTY.	
				330HST	390HST
1	(S) LG1935	3A1970055	Bolt, Reamer (M10x1.25)	1	1
2	(S) N630174S8	S361100013	Washer, Spring (10.2x18.4x2.5)	1	1
3	(S) LG1864	S154103033	Bolt, Hex W/Washer (M10x1.25x30)	7	7
4	(S) LG1056	A1402067	Cover, Gear Case	1	1
5	(S) LG2023	3A1970056	O-Ring (231x3)	1	1
6	(S) LG1775	3A1970052	Plug, Taper (PT 3/8)	2	2
7	(S) 500283	S101123043	Bolt, Hex (M12x1.75x30)	4	4
8	(S) N630175S8	S361120013	Washer, Spring (12.2x12.5x3.0)	4	4
9	(S) LG2241	A1400116	Arm (R)	1	1
10	(S) LG3343	A1400162	Case, Kingpin	1	1
11-12	(S) LG2255	A1400167	Group Seal	1	1
11	(S) LG3344	A1400158	Seal O-Ring (84x6.5)	2	2
12	(S) LG3345	A1400157	Retainer, Group Seal	2	2
13	(S) LG2469	A1970267	Bearing, Taper (32012XJ)	1	1
14	(S) LG2253	A1400155	Case, Gear (R)	1	1
15	(S) LG2470	A1970268	Bearing, Taper (30210J)	1	1
16	(S) LG1936	A1400128	Nut, Lock (M50x1.5)	1	1
17	(S) LG3346	S802090010	O-Ring (89.4x3.1)	1	1
18	(S) N630187S8	S361140013	Washer, Spring (14.2x24.5x3.5)	5	5
19	(S) LG1937	S101144043	Bolt, Hex (M14x2x40)	4	4
20	(S) LG4343	A1970307	Bolt, Reamer (M14x2x50)	1	1

Service Serial Number Breaks:

1-20 This Front Axle Case is effective up to and including Serial Number : 330 HST - 33HC00168
 390 HST - 39HC00192



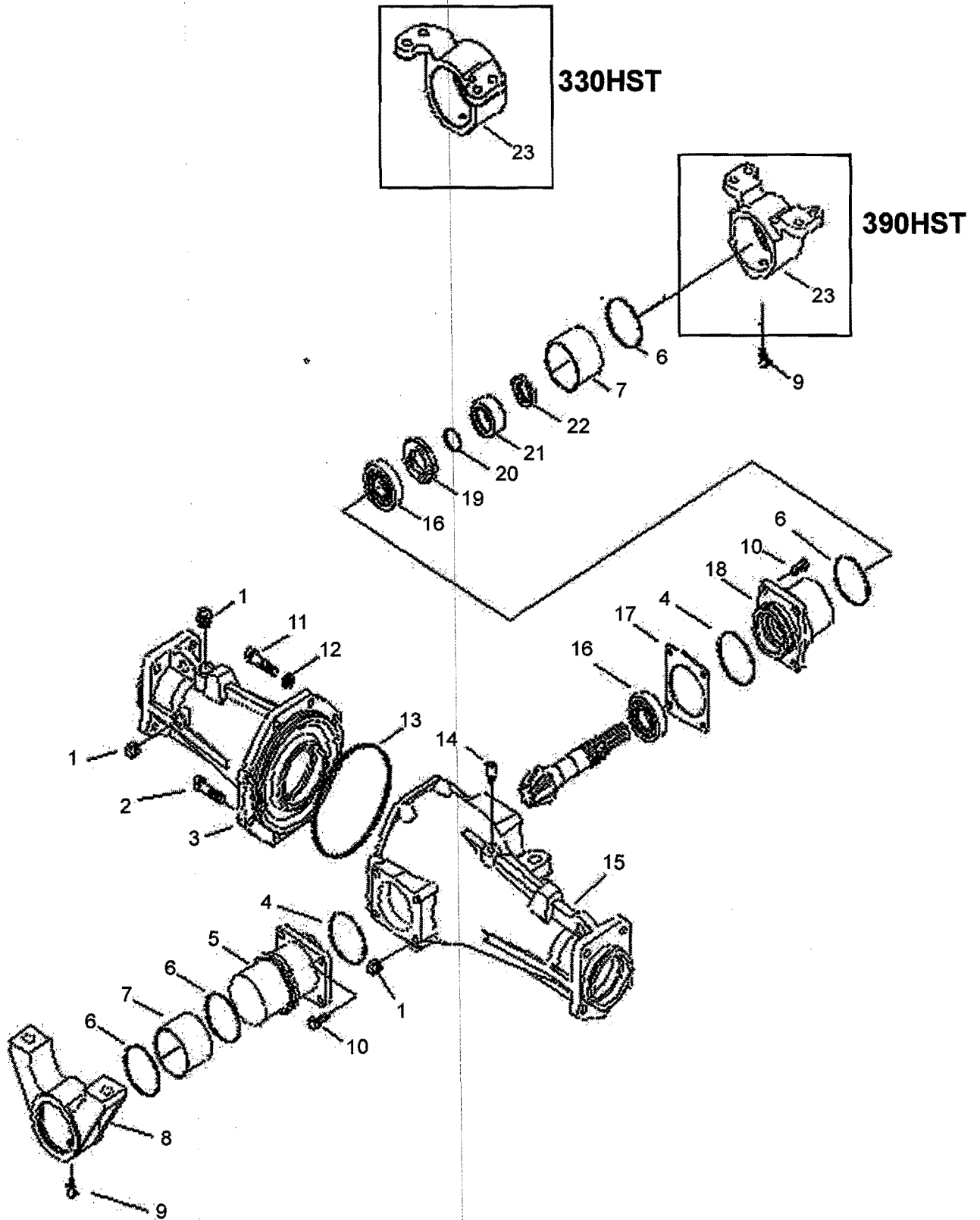
FRONT AXLE CASE (NEW STYLE)

330HST / 390HST

ITEM	LONG No.	VENDOR No.	DESCRIPTION	QTY.	
				330HST	390HST
1	(S) LG1935	3A1970055	Bolt, Reamer (M10x1.25)	1	1
2	(S) N630174S8	S361100013	Washer, Spring (10.2x18.4x2.5)	1	1
3	(S) LG1864	S154103033	Bolt, Hex W/Washer (M10x1.25x30)	7	7
4	(S) LG1056	A1402067	Cover, Gear Case	1	1
5	(S) LG2023	3A1970056	O-Ring (231x3)	1	1
6	(S) LG1775	3A1970052	Plug, Taper (PT 3/8)	2	2
7	(S) 500283	S101123043	Bolt, Hex (M12x1.75x30)	4	4
8	(S) N630175S8	S361120013	Washer, Spring (21.5x12.2x3t)	4	4
9	(S) LG4915	A1400289	Arm (RH)	1	1
10	(S) LG4916	A1400293	Case, Kingpin	1	1
11	(S) LG3348	A1400168	Group Seal	1	1
12	(S) LG1012	A1400077	Bushing, DU (MB6030DU)	1	1
13	(S) LG4917	A1400292	Case Gear (RH)	1	1
14	(S) LG4918	A1400288	Cover w/Bearing Case	1	1
15	(S) LG4919	A1400286	Holder, Arm	1	1
16	(S) LG1904	S1530822533	Bolt, Hex w/Washer (M8x1.25x25)	6	6
17	(S) LG1397	A0652582	Seal Dust (40x48x6.5)	1	1
18	(S) LG4920	A0678120	Bushing (MB4020DU)	1	1
19	(S) LG1740	A1400076	Bearing, T/Roller (320004XJ)	1	1
20	(S) LG4138	A0730048	Nipple, grease (PT 1/8)	1	1
21	(S) LG3673	3A1970057	Bolt, Reamer (M12x1.75x35)	1	1
22	(S) LG3346	S802090010	O-Ring (D89.4x3.1)	1	1
23	(S) N630187S8	S361140013	Washer, Spring (24.5x15.2x3.5)	5	5
24	(S) LG1937	S101144043	Bolt, Hex (M14x2x40)	4	4
25	(S) LG4343	A1970307	Bolt, Reamer (M14x2x50)	1	1
26	(S) LG1448	A1402048	Shim (0.15)	1	1
-	(S) LG1444	A1402046	Shim (0.30)	1	1
-	(S) LG1449	A1402050	Shim (0.40)	1	1

Service Serial Number Breaks:

1-26 This Front Axle Case is effective from and above Serial Number : 330 HST - 33HC00169
 390 HST - 39HC00193



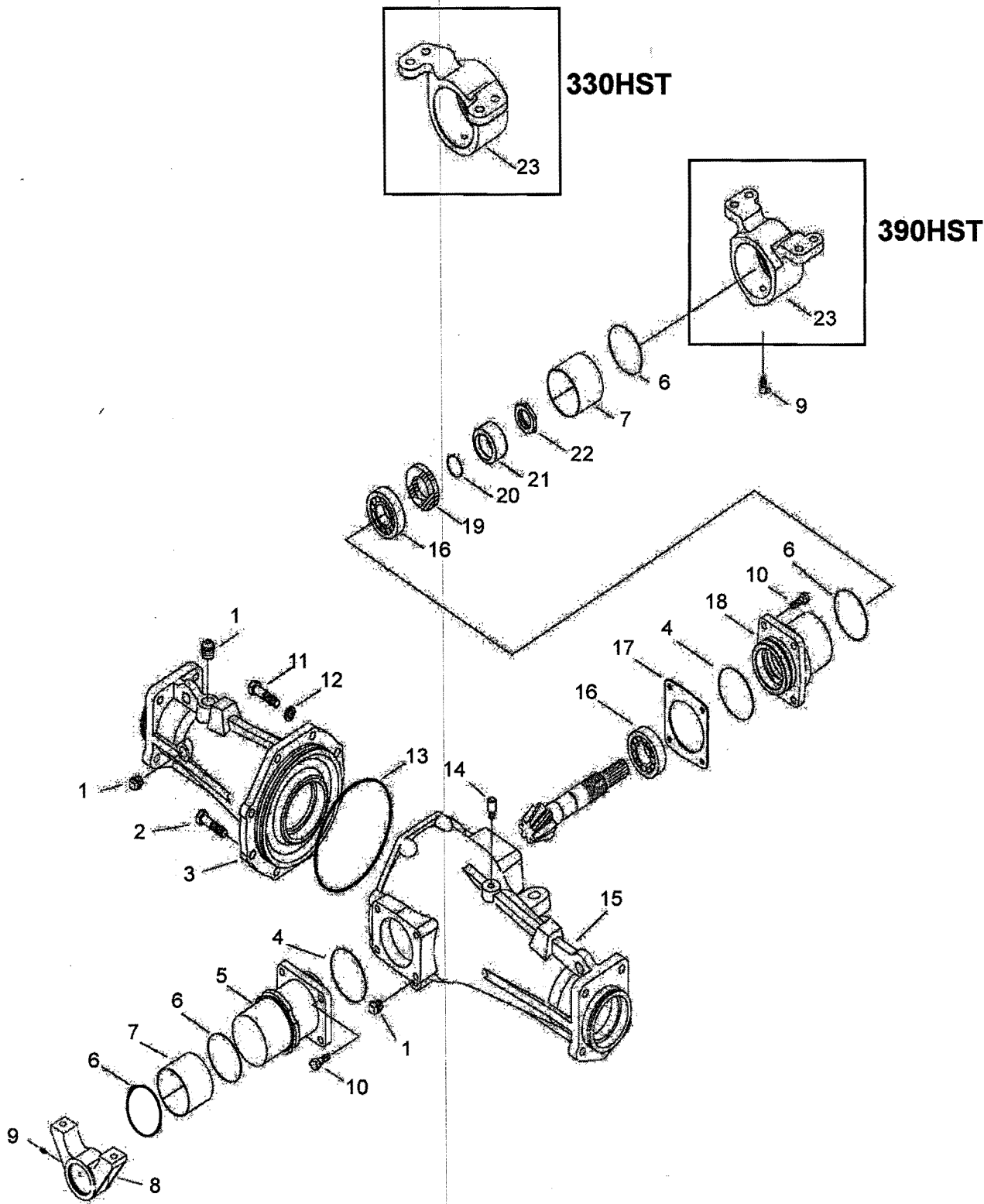
FRONT AXLE CASE (OLD STYLE)

330HST / 390HST

ITEM	LONG No.	VENDOR No.	DESCRIPTION	QTY.	
				330HST	390HST
1	(S) LG1775	3A1970052	Plug, Taper (3/8)	3	3
2	(S) LG1933	S153123533	Bolt, Hex W/Washer (M12x1.75x35)	7	7
3	(S) LG3338	A1400163	Center (R) Axle	1	1
4	(S) LG1280	S802075010	O-Ring (74.4x3.1)	4	4
5	(S) LG1174	A1400100	Holder, Front Pivot	1	1
6	(S) LG1281	S802080010	O-Ring (79.4x3.1)	4	4
7	(S) LG1011	3A1970006	Bushing (80x40)	2	2
8	(S) LG2243	A1400118	Bracket, Front	1	1
9	(S) LG4138	A0730048	Nipple, Grease (1/8)	2	2
10	(S) LG1864	S154103033	Bolt, Hex W/Washer (M10x1.25x30)	8	8
11	(S) LG1934	3A1970050	Bolt, Reamer (M12x1.75)	1	1
12	(S) N630175S8	S361120013	Washer, Spring (12.2x21.5x3.0)	1	1
13	(S) LG1284	S8012175010	O-Ring (174.3x5.7)	1	1
14	(S) LG1001	3A1400004	Breather, Air	1	1
15	(S) LG3339	A1400164	Center, Axle (L)	1	1
16	(S) LG1737	A1400093	Bearing, Taper (32206C)	2	2
17	(S) LG2025	3A1970100	Shim (0.07)	AR	AR
-	(S) LG2026	3A1970101	Shim (0.2)	AR	AR
18	(S) LG2006	3A1400010	Case, Bearing	1	1
19	(S) LG1398	3A1970012	Seal (45x62x9.0)	1	1
20	(S) LG1277	S801030010	O-Ring (29.7x3.5)	1	1
21	(S) LG1016	3A1411004	Bushing, Seal (45x15)	1	1
22	(S) LG1776	3A1970065	Nut, Lock (30x1.5)	1	1
23	(S) LG2244	A1400119	Bracket, Rear	-	1
-	(S) LG4884	A1410042	Bracket, Rear	1	-

Service Serial Number Breaks:

1-23 This Front Axle Case is effective up to and including Serial Number : 330 HST - 33HC00168
 390 HST - 39HC00192



FRONT AXLE CASE (NEW STYLE)

330HST / 390HST

ITEM	LONG No.	VENDOR No.	DESCRIPTION	QTY.	
				330HST	390HST
1	(S) LG1775	3A1970052	Plug, Taper (3/8)	3	3
2	(S) LG1933	S153123533	Bolt, Hex W/Washer (M12x1.75x35)	7	7
3	(S) LG3338	A1400163	Center (R) Axle	1	1
4	(S) LG1280	S802075010	O-Ring (74.4x3.1)	4	4
5	(S) LG1174	A1400100	Holder, Front Pivot	1	1
6	(S) LG1281	S802080010	O-Ring (79.4x3.1)	4	4
7	(S) LG1011	3A1970006	Bushing (80x40)	2	2
8	(S) LG2243	A1400118	Bracket, Front	1	1
9	(S) LG4138	A0730048	Nipple, Grease (1/8)	2	2
10	(S) LG1864	S154103033	Bolt, Hex W/Washer (M10x1.25x30)	8	8
11	(S) LG1934	3A1970050	Bolt, Reamer (M12x1.75)	1	1
12	(S) N630175S8	S361120013	Washer, Spring (12.2x21.5x3.0)	1	1
13	(S) LG1284	S8012175010	O-Ring (174.3x5.7)	1	1
14	(S) LG1001	3A1400004	Breather, Air	1	1
15	(S) LG3339	A1400164	Center, Axle (L)	1	1
16	(S) LG1737	A1400093	Bearing, Taper (32206C)	2	2
17	(S) LG2025	3A1970100	Shim (0.07)	AR	AR
-	(S) LG2026	3A1970101	Shim (0.2)	AR	AR
18	(S) LG2006	3A1400010	Case, Bearing	1	1
19	(S) LG1398	3A1970012	Seal (45x62x9.0)	1	1
20	(S) LG1277	S801030010	O-Ring (29.7x3.5)	1	1
21	(S) LG1016	3A1411004	Bushing, Seal (45x15)	1	1
22	(S) LG1776	3A1970065	Nut, Lock (30x1.5)	1	1
23	(S) LG2244	A1400119	Bracket, Rear	-	1
-	(S) LG4884	A1410042	Bracket, Rear	1	-

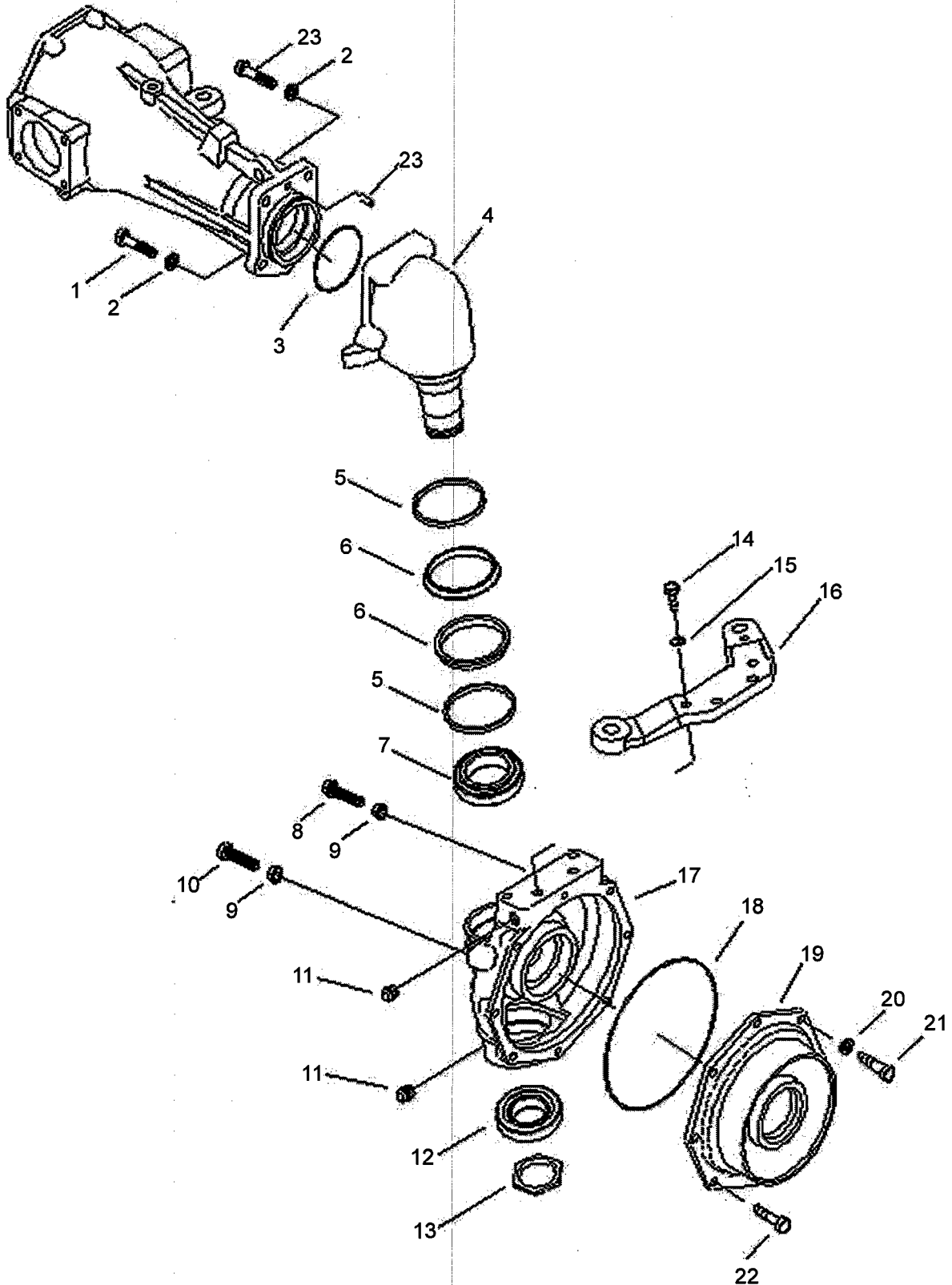
Service Serial Number Breaks:

1-23 This Front Axle Case is effective from and above Serial Number :

 330 HST - 33HC00169

 390 HST - 39HC00193

FRONT AXLE CASE (NEW STYLE)



FRONT AXLE CASE

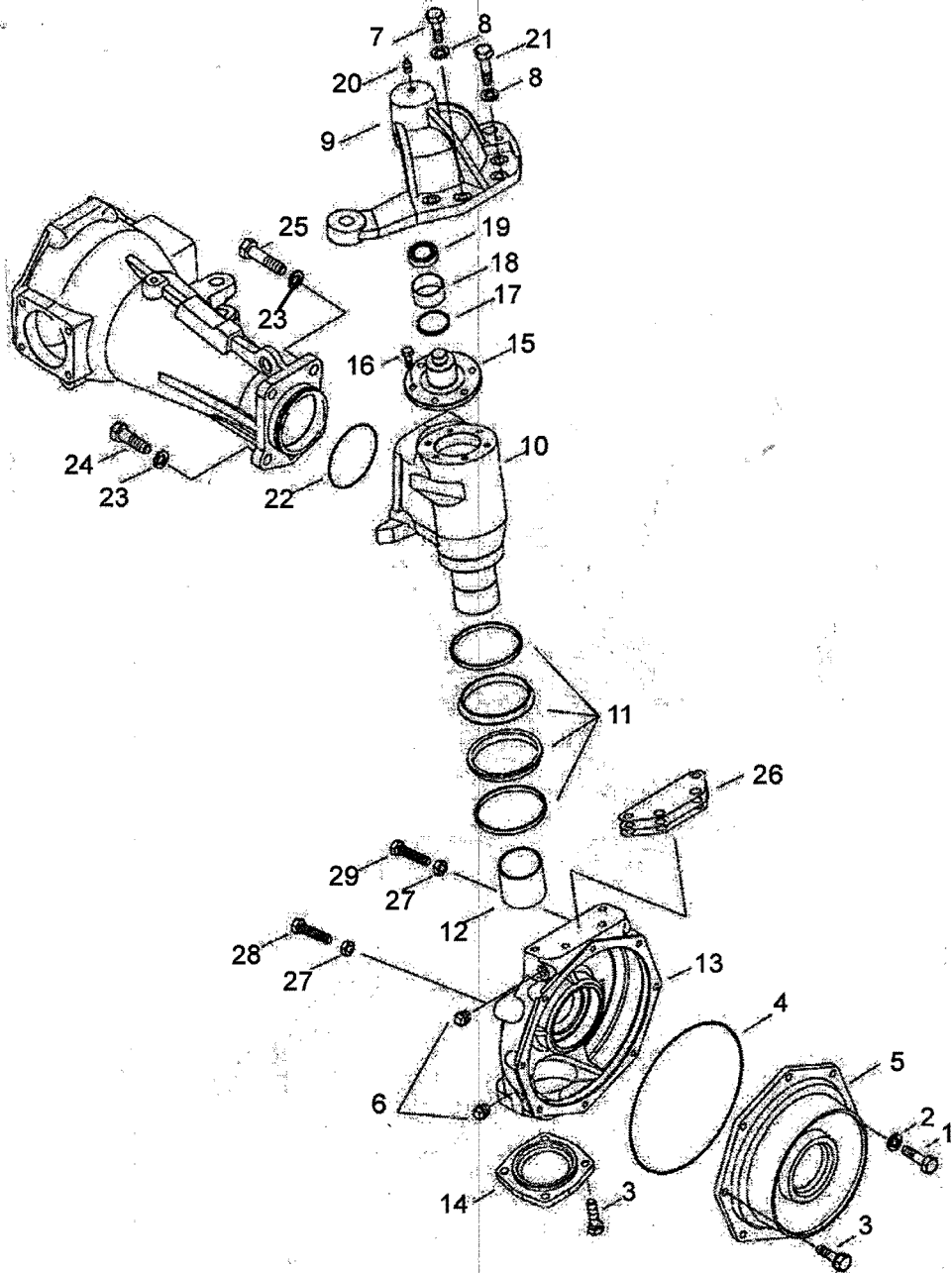
330HST / 390HST

ITEM	LONG No.	VENDOR No.	DESCRIPTION	QTY.	
				330HST	390HST
1	(S) LG1937	S101144043	Bolt, Hex (M14x2.0x40)	4	4
2	(S) N630187S8	S361140013	Washer, Spring (14.2x24.5x3.5)	5	5
3	(S) LG3346	S802090010	O-Ring (89.4x3.1)	1	1
4	(S) LG3343	A1400162	Case, Kingpin	1	1
5-6	(S) LG2255	A1400167	Group Seal	1	1
5	(S) LG3344	A1400158	Seal O-Ring (84x6.5)	2	2
6	(S) LG3345	A1400157	Retainer, Group Seal	2	2
7	(S) LG2469	A1970267	Bearing, Taper (32012XJ)	1	1
8	(S) 500235	S163123543	Bolt, Hex (M12x1.75x35)	1	1
9	(S) N620015S8	S301120043	Nut, Hex (1TY) (M12x1.75)	2	2
10	(S) N600416S8	S101125543	Bolt, Hex (M12x1.75x55)	1	1
11	(S) LG1775	3A1970052	Plug, Taper (PT 3/8)	2	2
12	(S) LG2470	A1970268	Bearing, Taper (30210J)	1	1
13	(S) LG1936	A1400128	Nut, Lock (M50x1.75x30)	1	1
14	(S) 500283	S101123043	Bolt, Hex (M12x1.75x30)	4	4
15	(S) N630175S8	S361120013	Washer, Spring (12.2x21.5x3)	4	4
16	(S) LG2242	A1400117	Arm (L)	1	1
17	(S) LG2254	A1400156	Case, Gear (L)	1	1
18	(S) LG2023	3A1970056	O-Ring (231x3)	1	1
19	(S) LG1056	A1402067	Cover, Gear Case	1	1
20	(S) N630174S8	S361100013	Washer, Spring (10.2x18.4x2.5)	1	1
21	(S) LG1935	3A1970055	Bolt, Reamer (M10x1.25)	1	1
22	(S) LG1864	S154103033	Bolt, Hex W/Washer (M10x1.25x30)	7	7
23	(S) LG4343	A1970307	Bolt, Reamer (M14x2.0x50)	1	1

Service Serial Number Breaks:

1-23 This Front Axle Case is effective up to and including Serial Number :

- 330 HST - 33HC00168
- 390 HST - 39HC00192



FRONT AXLE CASE (NEW STYLE)

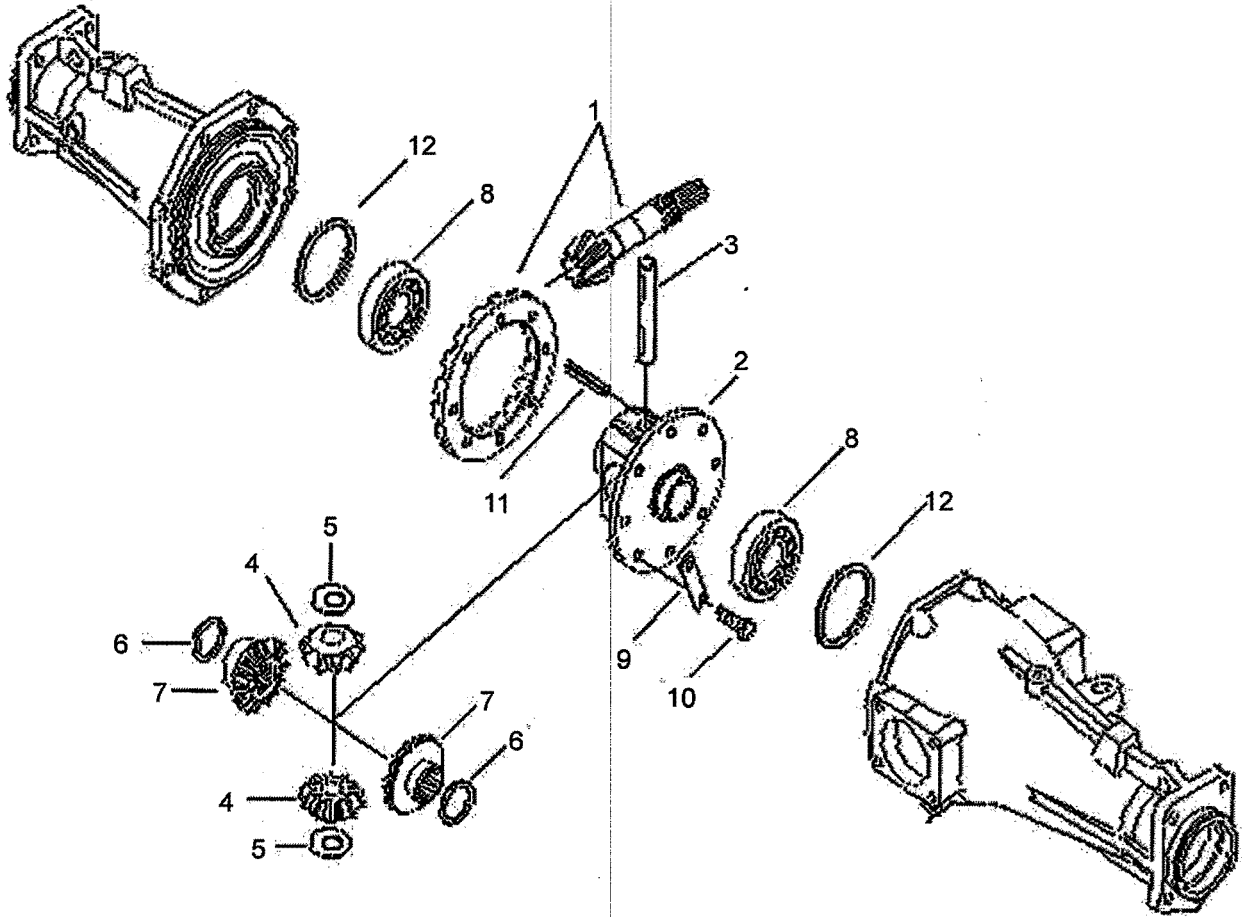
330HST / 390HST

ITEM	LONG No.	VENDOR No.	DESCRIPTION	QTY.	
				330HST	390HST
1	(S) LG1935	3A1970055	Bolt, Reamer (M10x1.25)	1	1
2	(S) N630174-S8	S361100013	Washer, Spring (18.4x10.2x2.5)	1	1
3	(S) LG1864	S154103033	Bolt, Hex w/Washer(M10x1.25x30)	11	11
4	(S) LG1056	A1402067	Cover Gear Case	1	1
5	(S) LG2023	3A1970056	O-Ring (D231x3)	1	1
6	(S) LG1775	3A1970052	Plug, Taper (PT3/8)	2	2
7	(S) 500283	S101123043	Bolt, Hex (M12x1.75x30)	2	2
8	(S) N630175S8	S361120013	Washer, Spring (21.5x12.2x3)	4	4
9	(S) LG4921	A1400290	Arm (LH)	1	1
10	(S) LG4916	A1400293	Case, Kingpin	1	1
11	(S) LG3348	A1400168	Group Seal	1	1
12	(S) LG1012	A1400077	Bushing DU (MB6030DU)	1	1
13	(S) LG4922	A1400291	Case, Gear (LH)	1	1
14	(S) LG4918	A1400288	Cover, w/Bearing Case	1	1
15	(S) LG4919	A1400286	Holder, Arm	1	1
16	(S) LG1904	S153082533	Bolt, Hex w/Washer (M8x1.25x25)	6	6
17	(S) LG1397	A0652582	Seal Dust (40x48x6.5)	1	1
18	(S) LG4920	A0678120	Bushing (MB4020)	1	1
19	(S) LG1740	A1400076	Bearing, T/Roller (32004XJ)	1	1
20	(S) LG4138	A0730048	Nipple, Grease (PT 1/8)	1	1
21	(S) LG1937	3A1970057	Bolt, Reamer (M12x1.75x35)	2	2
22	(S) LG3346	S802090010	O-Ring (89.4x3.1)	1	1
23	(S) N630187S8	S361140013	Washer, Spring (24.5x14.2x3.5)	5	5
24	(S) LG1937	S101144043	Bolt, Hex (M14x2x40)	4	4
25	(S) LG4343	A1970307	Bolt, Reamer (M14x2x50)	1	1
26	(S) LG1448	A1402048	Shim (.015t)	1	1
-	(S) LG1444	A1402049	Shim (0.30t)	1	1
-	(S) LG1449	A1402050	Shim (0.40t)	1	1
27	(S) N620015S8	S301120043	Nut, Hex 1-TY (12x1.75)	2	2
28	(S) N600416S8	S101125543	Bolt, Hex (M12x1.75x55)	1	1
29	(S) 500235	S163123543	Bolt, Hex, F-Threaded (M12x1.75x35)	1	1

Service Serial Number Breaks:

1-29 This Front Axle Case is effective from and above Serial Number : 330 HST - 33HC00169
 390 HST - 39HC00193

FRONT AXLE CASE (NEW STYLE)



FRONT DIFFERENTIAL (OLD STYLE)

330HST / 390HST

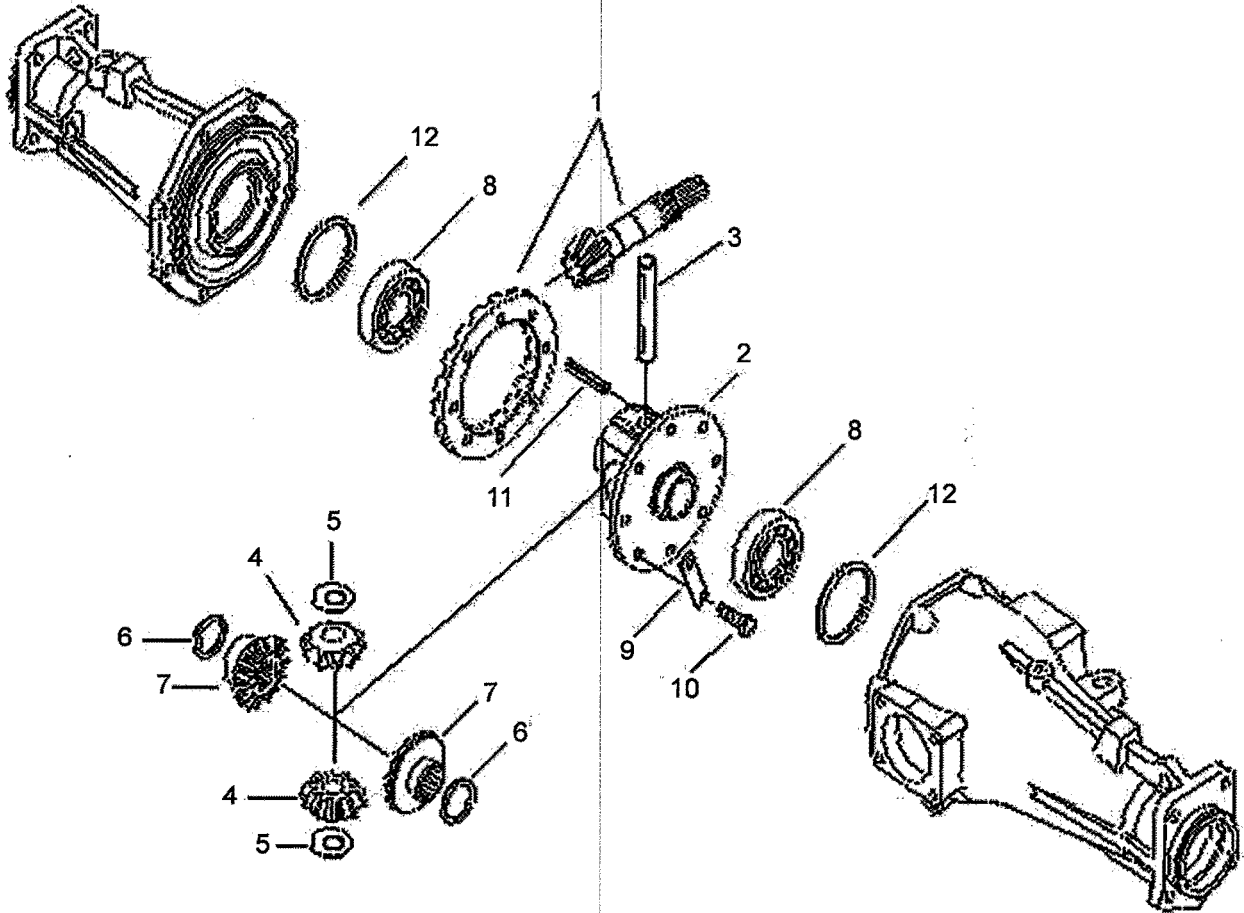
ITEM	LONG No.	VENDOR No.	DESCRIPTION	QTY.	
				330HST	390HST
1-11	(S) LG1086	2A1415001	Differential, Gear Assembly	1	1
1	(S) LG3340	A1400172	Pinion & Ring Gear Set (6/37)	1	1
2	(S) LG2001	1A1414001	Case, Differential	1	1
3	(S) LG3341	3A1415004	Shaft	1	1
4	(S) LG3333	A1324060	Pinion, Mate (10)	2	2
5	(S) LG1927	3A1970123	Washer, Thrust (0.8)	2	2
6	(S) LG1928	3A1970122	Washer, Thrust (0.8)	2	2
7	(S) LG3332	A1324062	Gear, Side (16)	2	2
8	(S) LG1714	3A1970033	Bearing, Ball (6210)	2	2
9	(S) LG3342	3A1411003	Plate, Lock	4	4
10	(S) 500306	S165102043	Bolt, Hex (M10x1.25x20)	8	8
11	(S) N646661S8	S446065012	Pin, Spring (6x50)	1	1
12	(S) LG2027	3A1970119	Shim (0.7)	AR	AR
-	(S) LG2028	3A1970120	Shim (0.2)	AR	AR
-	(S) LG2029	3A1970121	Shim (1.0)	AR	AR

Service Serial Number Breaks:

1-23 This Front Differential is effective up to and including Serial Number :

 330 HST - 33HC00168

 390 HST - 39HC00192



FRONT DIFFERENTIAL (NEW STYLE)

330HST / 390HST

ITEM	LONG No.	VENDOR No.	DESCRIPTION	QTY.	
				330HST	390HST
1-11	(S) LG1086	2A1415001	Differential, Gear Assembly	1	1
1	(S) LG3340	A1400172	Pinion & Ring Gear Set (6/37)	1	1
2	(S) LG2001	1A1414001	Case, Differential	1	1
3	(S) LG3341	3A1415004	Shaft	1	1
4	(S) LG3333	A1324060	Pinion, Mate (10)	2	2
5	(S) LG1927	3A1970123	Washer, Thrust (0.8)	2	2
6	(S) LG1928	3A1970122	Washer, Thrust (0.8)	2	2
7	(S) LG3332	A1324062	Gear, Side (16)	2	2
8	(S) LG1714	3A1970033	Bearing, Ball (6210)	2	2
9	(S) LG3342	3A1411003	Plate, Lock	4	4
10	(S) 500306	S165102043	Bolt, Hex (M10x1.25x20)	8	8
11	(S) N646661S8	S446065012	Pin, Spring (6x50)	1	1
12	(S) LG2027	3A1970119	Shim (0.7)	AR	AR
-	(S) LG2028	3A1970120	Shim (0.2)	AR	AR
-	(S) LG2029	3A1970121	Shim (1.0)	AR	AR

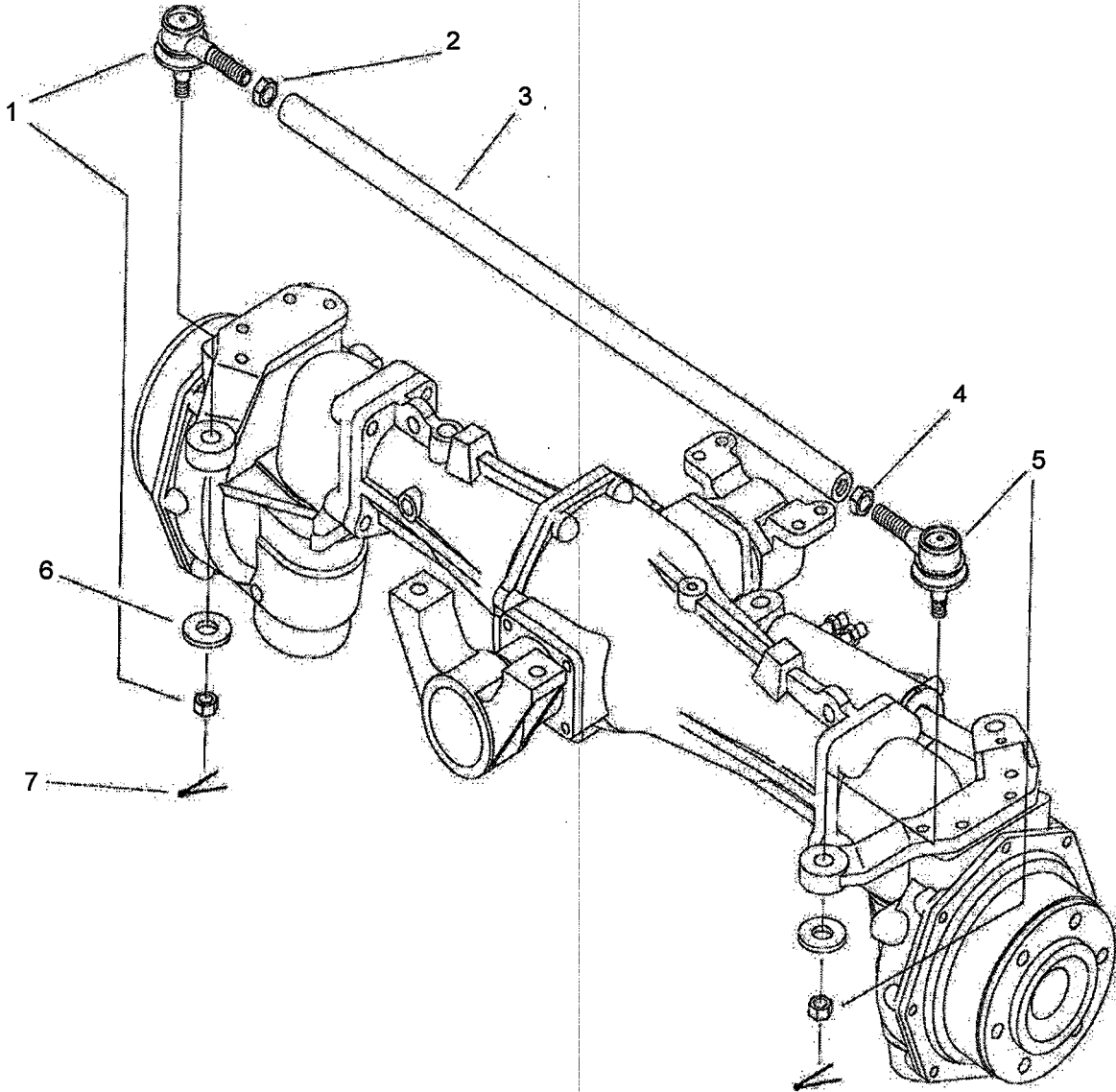
Service Serial Number Breaks:

1-23 This Front Differential is effective from and above Serial Number :

 330 HST - 33HC00169

 390 HST - 39HC00193

FRONT DIFFERENTIAL (NEW STYLE)



TIE ROD

330HST / 390HST

ITEM	LONG No.	VENDOR No.	DESCRIPTION	QTY.	
				330HST	390HST
1-5	(S) LG2274	A1610031	Tie Rod Assembly (930)	1	1
1	(S) LG3987	A1610036	End Assembly (R)	1	1
2	(S) LG1945	S306180043	Nut, Hex (R) (M18x1.5)	1	1
3	(S) LG2275	A1610034	Pipe, Tie Rod (784)	1	1
4	(S) LG1946	A1610023	Nut, Hex (M18x1.5)	1	1
5	(S) LG3991	A1610035	End Assembly (L)	1	1
6	(S) LG1947	A1402060	Washer, Plain (3)	2	2
7	(S) N642590S8	S441403613	Pin, Cotter (4x36)	2	2

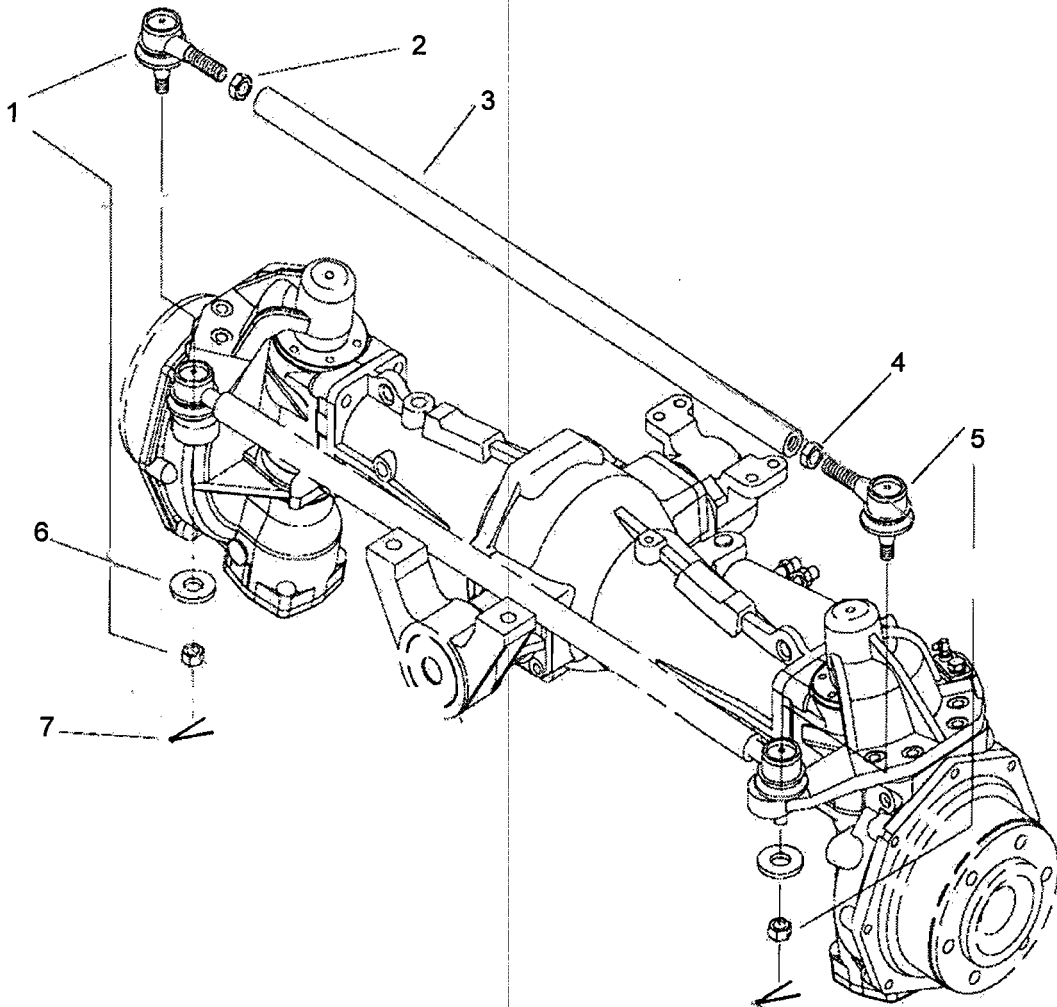
Service Serial Number Breaks:

1-7 This Tie Rod is effective from and including Serial Number :

330 HST - 33HC00168

390 HST - 39HC00192

TIE ROD (OLD STYLE)



330HST / 390HST

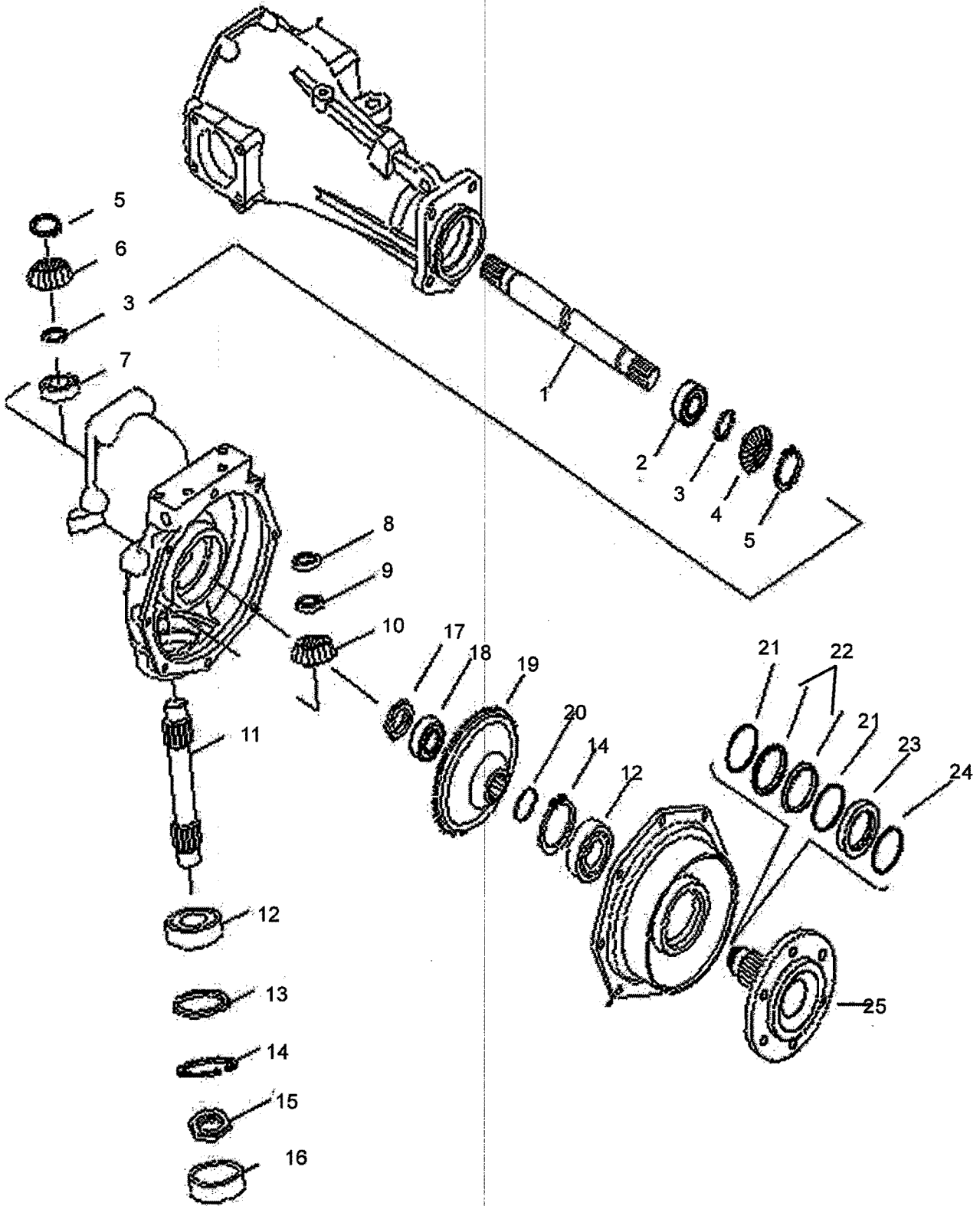
ITEM	LONG No.	VENDOR No.	DESCRIPTION	QTY.	
				330HST	390HST
1-5	Ⓢ LG2274	A1610031	Tie Rod Assembly (930)	1	1
1	Ⓢ LG3987	A1610036	End Assembly (R)	1	1
2	Ⓢ LG1945	S306180043	Nut, Hex (R) (M18x1.5)	1	1
3	Ⓢ LG2275	A1610034	Pipe, Tie Rod (784)	1	1
4	Ⓢ LG1946	A1610023	Nut, Hex (M18x1.5)	1	1
5	Ⓢ LG3991	A1610035	End Assembly (L)	1	1
6	Ⓢ LG1947	A1402060	Washer, Plain (3)	2	2
7	Ⓢ N642590S8	S441403613	Pin, Cotter (4x36)	2	2

Service Serial Number Breaks:

1-7 This Tie Rod is effective from and above Serial Number :

☑ 330 HST - 33HC00169

☑ 390 HST - 39HC00193

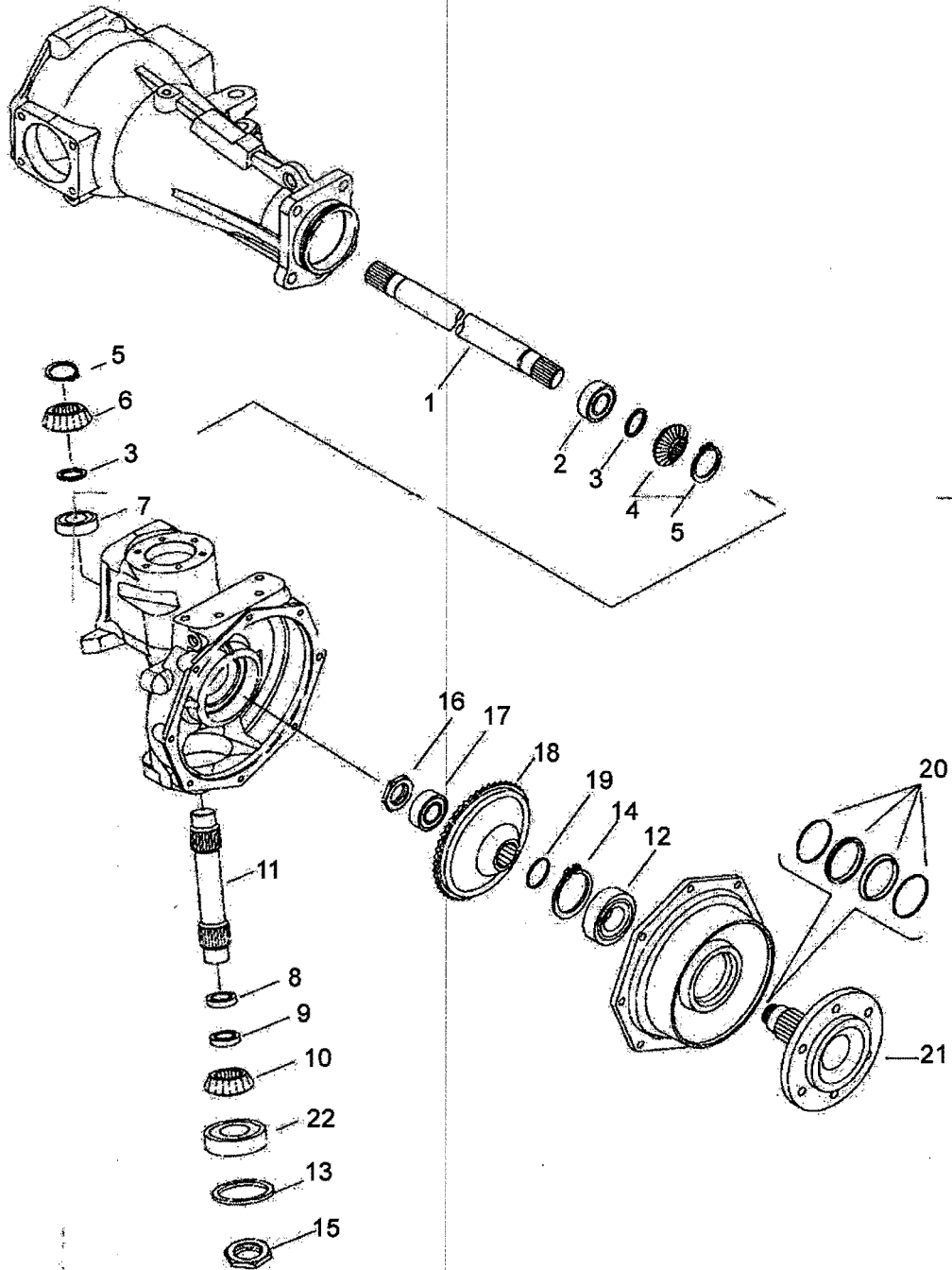


330HST / 390HST

ITEM	LONG NO.	VENDOR NO.	DESCRIPTION	QTY.	
				330HST	390HST
1	(S) LG2245	A1400120	Shaft, Front Differential	2	2
2	(S) LG1712	3A1970031	Bearing, Ball (6307)	2	2
3	(S) LG2055	A0870108	Liner (0.15)	AR	AR
-	(S) LG2056	A0870109	Liner (0.4)	AR	AR
-	(S) LG2057	A0870110	Liner (0.5)	AR	AR
4	(S) LG2246	A1400121	Gear (14)	2	2
5	(S) N661225S	S810030001	Snap, Ring	4	4
6	(S) LG3347	A1400153	Gear (15)	2	2
7	(S) LG1737	A1400093	Bearing, Taper (32206C)	2	2
8	(S) LG1742	3A1970034	Bearing, Thrust (NSK51107)	2	2
9	(S) LG2249	A1400127	Spacer	2	2
10	(S) LG2248	A1400124	Gear (14)	2	2
11	(S) LG2247	A1400123	Shaft, Kingpin	2	2
12	(S) LG1714	3A1970033	Bearing, Ball (6210)	4	4
13	(S) LG2027	3A1970119	Liner (.07)	AR	AR
-	(S) LG2028	3A1970120	Liner (0.2)	AR	AR
-	(S) LG2029	3A1970121	Liner (1.0)	AR	AR
14	(S) N660264S	S811090001	Ring, Snap	4	4
15	(S) LG1785	A1281034	Nut, Lock (M25x1.5)	2	2
16	(S) LG2306	A1653044	Cover, Rubber (90x10)	2	2
17	(S) LG1797	A1402047	Nut, Lock (M30x1.5)	2	2
18	(S) LG1713	3A1970032	Bearing, Ball (6308)	2	2
19	(S) LG1121	A1402044	Gear (38)	2	2
20	(S) LG1227	3A1970112	Liner (0.4)	AR	AR
-	(S) LG1228	3A1970113	Liner (0.6)	AR	AR
-	(S) LG1229	3A1970114	Liner (.8)	AR	AR
-	(S) LG1230	3A1970115	Liner (1.0)	AR	AR
21-22	(S) LG3348	A1400168	Group Seal	2	2
21	(S) LG1403	A1400066	Seal (64.5x4.8)	4	4
22	(S) LG1380	A1400094	Retainer	4	4
23	(S) LG1186	A1400074	Housing, G-Seal	2	2
24	(S) LG1288	S804055010	O-Ring	2	2
25	(S) LG3349	A1402068	Shaft, Axle	2	2

Service Serial Number Breaks:

1-25 This Front Drive is effective up to and including Serial Number : 330 HST - 33HC00168
 390 HST - 39HC00192



330HST / 390HST

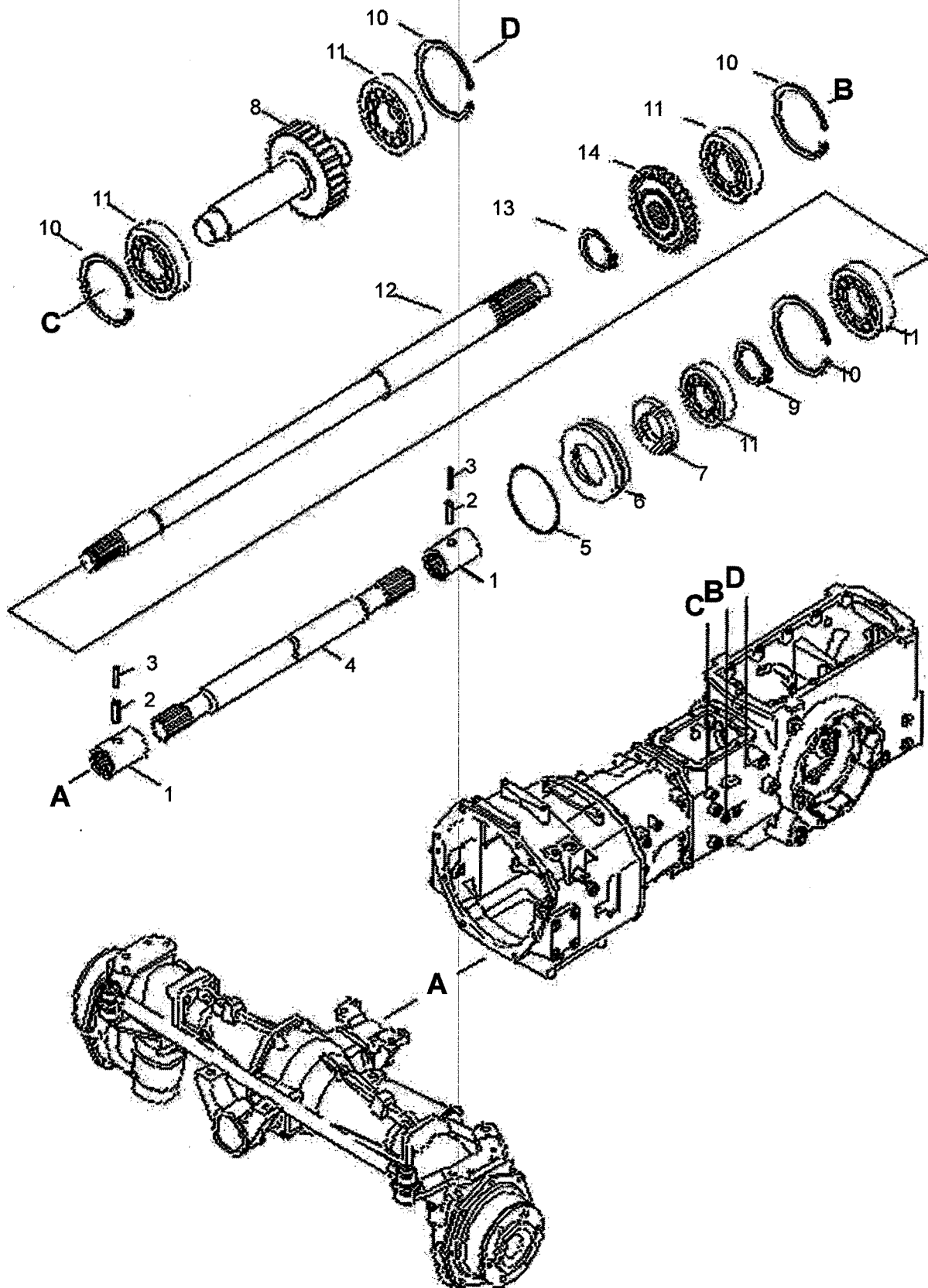
ITEM	LONG No.	VENDOR No.	DESCRIPTION	QTY.	
				330HST	390HST
1	(S) LG2245	A1400120	Shaft, Front Differential	2	2
2	(S) LG2050	A0863070	Bearing, Ball (6307)	2	2
3	(S) LG2055	A0870108	Liner (0.15)	AR	AR
-	(S) LG2056	A0870109	Liner (0.4)	AR	AR
-	(S) LG2057	A0870110	Liner (0.5)	AR	AR
4	(S) LG2256	A1400121	Gear (14)	2	2
5	(S) N661225S	S810030001	Snap, Ring	4	4
6	(S) LG3347	A1400153	Gear (15)	2	2
7	(S) LG1737	A1400093	Bearing, Taper (32206C)	2	2
8	(S) LG1742	3A1970034	Bearing, Thrust (NSK51107)	2	2
9	(S) LG2249	A1400127	Spacer	2	2
10	(S) LG2248	A1400124	Gear (14)	2	2
11	(S) LG2247	A1400123	Shaft, Kingpin	2	2
12	(S) LG1714	3A1970033	Bearing, Ball (6210)	4	4
13	(S) LG2027	3A1970119	Liner (.07)	AR	AR
-	(S) LG2028	3A1970120	Liner (0.2)	AR	AR
14	(S) N660264S	S811090001	Ring, Snap	4	4
15	(S) LG1785	A1281034	Nut, Lock (M25x1.5)	2	2
16	(S) LG1797	A1402047	Nut, Lock (M30x1.5)	2	2
17	(S) LG1713	3A1970032	Bearing, Ball (6308)	2	2
18	(S) LG1121	A1402044	Gear (38)	2	2
19	(S) LG1227	3A1970112	Liner (0.4)	AR	AR
-	(S) LG1228	3A1970113	Liner (0.6)	AR	AR
-	(S) LG1229	3A1970114	Liner (.8)	AR	AR
-	(S) LG1230	3A1970115	Liner (1.0)	AR	AR
20	(S) LG3348	A1400168	Group Seal	2	2
21	(S) LG3349	A1400068	Shaft Axle	2	2
22	(S) LG2470	A1970268	Bearing T/Roller (#30210)	2	2

Service Serial Number Breaks:

1-22 This Front Drive is effective from and above Serial Number :

 330 HST - 33HC00169

 390 HST - 39HC00193



330HST / 390HST

ITEM	LONG No.	VENDOR No.	DESCRIPTION	QTY.	
				330HST	390HST
1-3	(S) LG3980	A1288044	Joint Assembly	2	2
1	(S) LG1198	A1288028	Joint, 4 WD	2	2
2	(S) LG1920	S446053210	Pin, Spring (5x32)	2	2
3	(S) 500359	S446033210	Pin, Spring (3x32)	2	2
4	(S) LG4257	A1288101	Shaft, 4WD Front	1	1
5	(S) LG1295	S801046010	O-Ring (46x3.5)	1	1
6	(S) LG2178	A1288043	Housing, Seal (52)	1	1
7	(S) LG1400	A0651253	Seal, Oil (TC25408)	1	1
8	(S) LG4258	A1288104	Gear, 4WD Idler (31)	1	1
9	(S) N661221S	S810025001	Ring, Snap (25x1.2)	1	1
10	(S) N662455	S811052001	Ring, Snap (52x2)	4	4
11	(S) LG1717	A0862050	Bearing, Ball (6205)	5	5
12	(S) LG4259	A1288100	Shaft, 4WD	1	1
13	(S) N661225S	S810030001	Ring, Snap (30x1.5)	1	1
14	(S) LG4260	A1288099	Gear, 4WD Drvn (31)	1	1

Service Serial Number Breaks:

1-14 This Four Wheel Drive is effective up to and including Serial Number : 330 HST - 33HC00168
 390 HST - 39HC00192

Notes

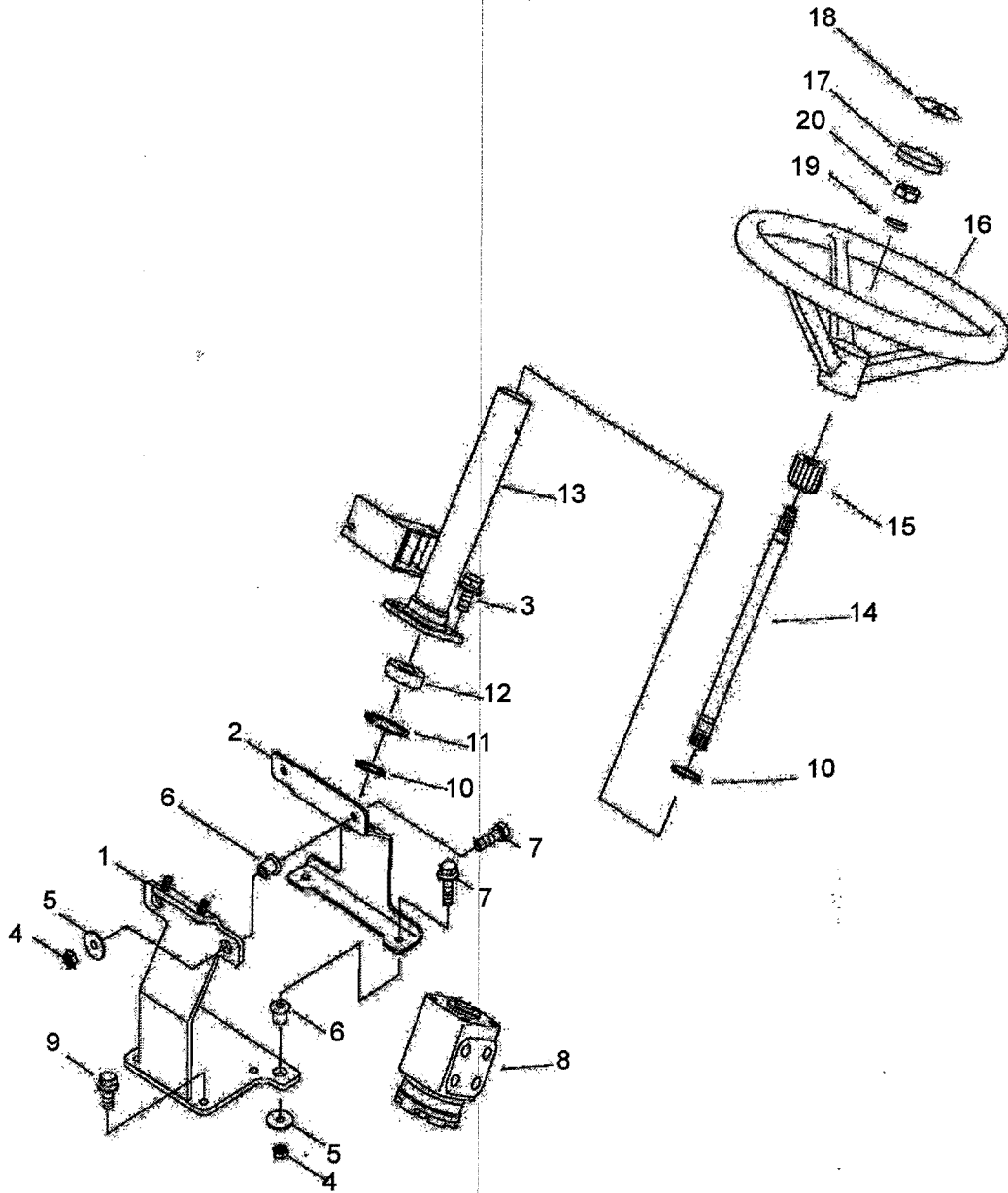
330 HST / 390 HST

SECTION 14

STEERING SYSTEM

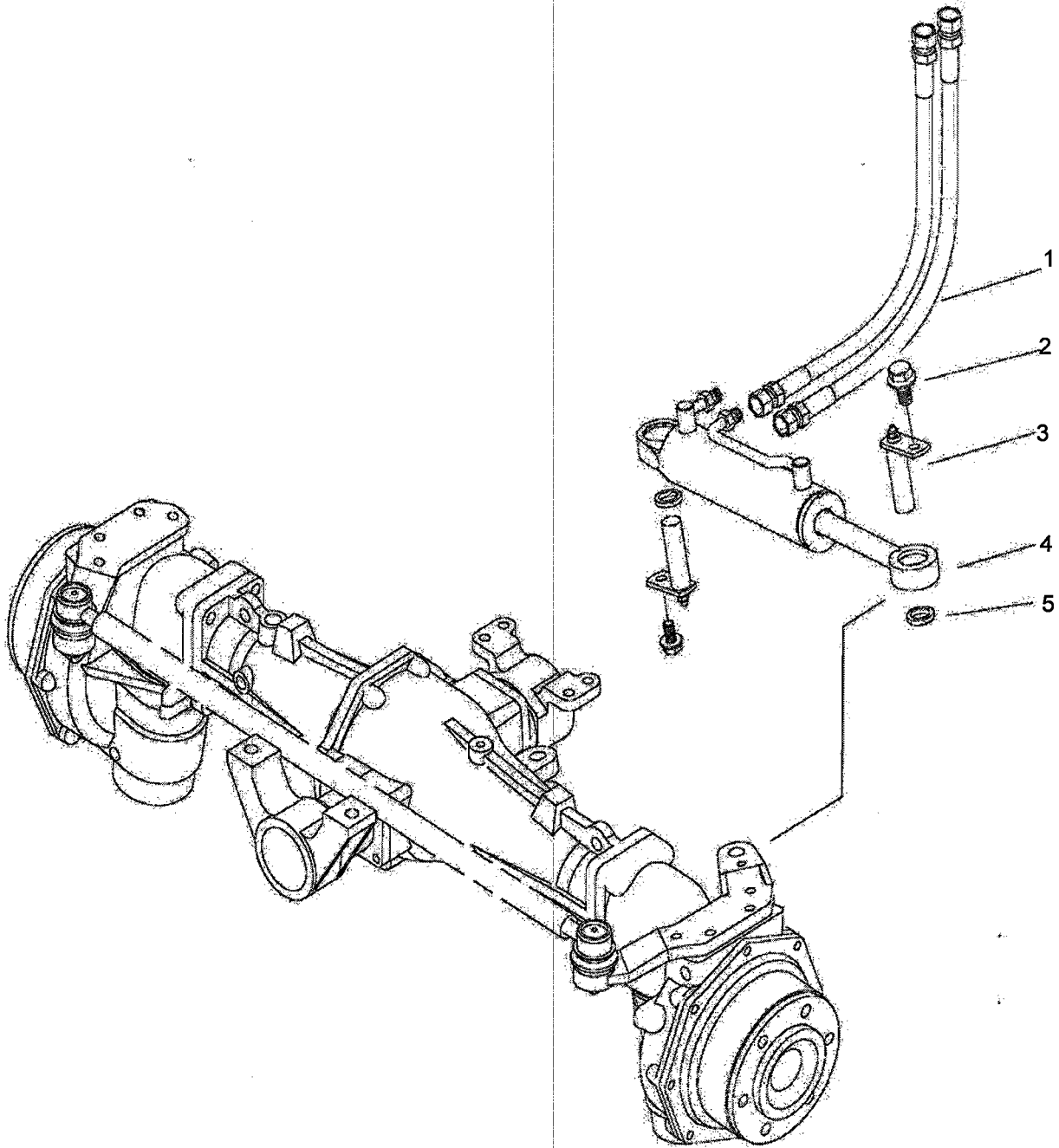
 **Long Agribusiness**

COMMON SENSE SOLUTIONS



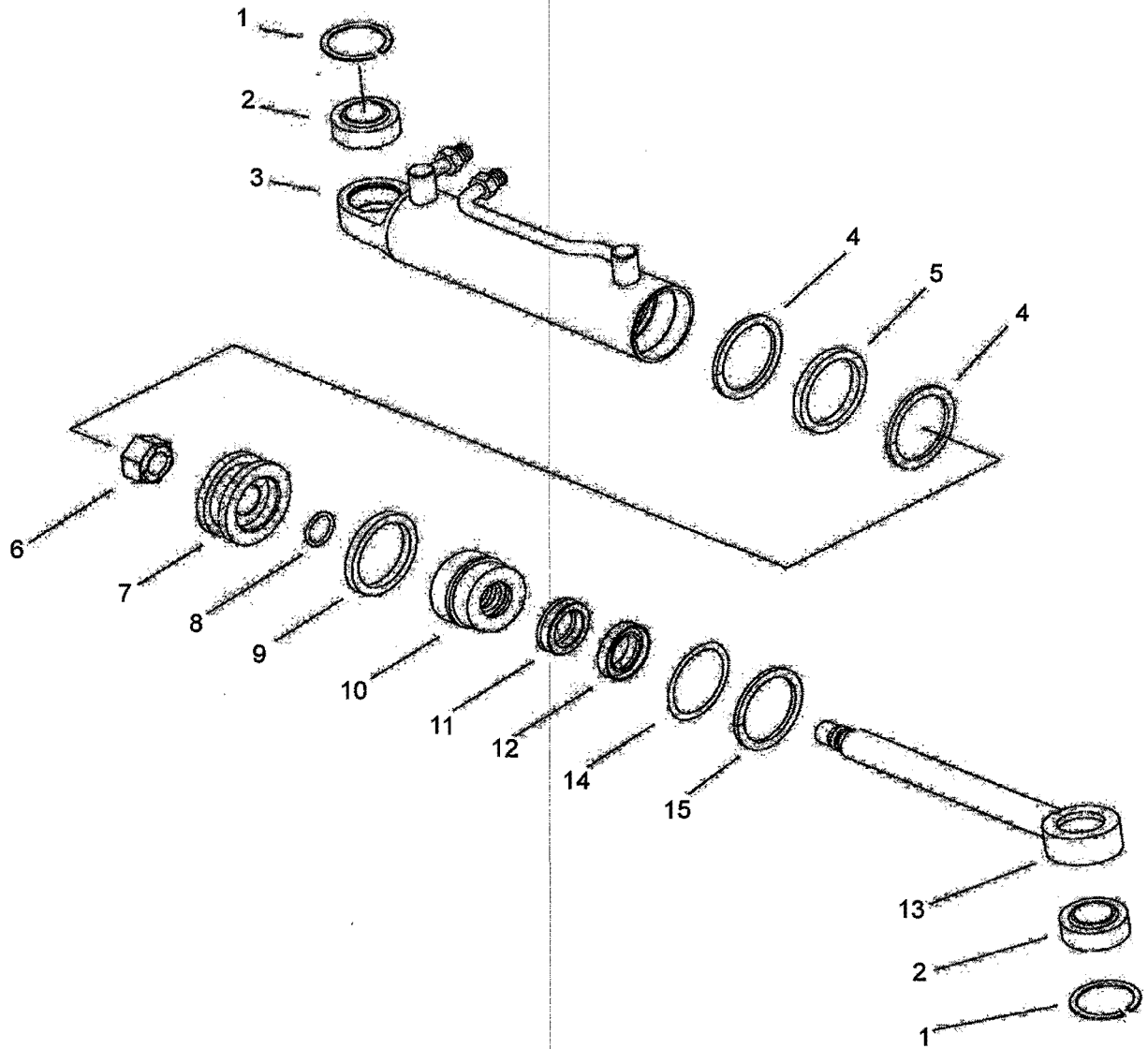
330HST / 390HST

ITEM	LONG No.	VENDOR No.	DESCRIPTION	QTY.	
				330HST	390HST
1	LG4344	A1630453	Support, Steering Lower	1	1
2	LG4345	A1830452	Support, Steering Uppor	1	1
3	LG1863	S154102533	Bolt, Hex (M10x1.25x25)	4	4
4	LG3682	S306100043	Nut, Hex (M10x1.25x25)	4	4
5	N630188S8	S365103213	Washer, Plain (10.5x32x3.0)	4	4
6	LG4346	A1970366	Mount, Silent	4	4
7	N600419S8	S154105033	Bolt, Hex (M10x1.25x50)	4	4
8	LG4944	A1630222	Steering Unit (80cc/rev)	1	1
9	LG1916	S156102533	Bolt, Hex (M10x1.25x25)	4	4
10-15	LG2281	A1630230	Steering Column Assembly	1	1
10	N661216S	S810020001	Ring, Snap (20)	2	2
11	LG3363	S811042001	Ring, Snap (C)H (42)	1	1
12	LG3364	A1970233	Bearing (6004DD)	1	1
13	LG3365	A1630231	Column, Steering	1	1
14	LG3366	A1630232	Shaft, Steering (20)	1	1
15	LG1405	A1630153	Seal, Steering	1	1
16-18	LG4162	A5002130	Steering Wheel Assembly	1	1
16	LG4160	A5001458	Wheel, Steering	1	1
17	LG4161	A5000583	Cap, Wheel	1	1
18	LG3518	A1980437	Decal, LG Mark	1	1
19	N630187S8	S361140013	Washer, Spring (14.2x25.5x3.5)	1	1
20	500327	S314140013	Nut, Hex (M14x1.5)	1	1



330HST / 390HST

<i>ITEM</i>	<i>LONG No.</i>	<i>VENDOR No.</i>	<i>DESCRIPTION</i>	<i>QTY.</i>	
				330HST	390HST
1	LG2287	A1630245	Hose, Steering Cylinder (410)	2	2
2	LG1862	S154102033	Bolt, Hex (M10x1.25x20)	2	2
3	LG1314	A1630327	Pin, Cylinder	2	2
4	LG3351	A1630293	Steering Cylinder Assembly	1	1
5	LG1475	A1630135	Spacer (20x5)	2	2

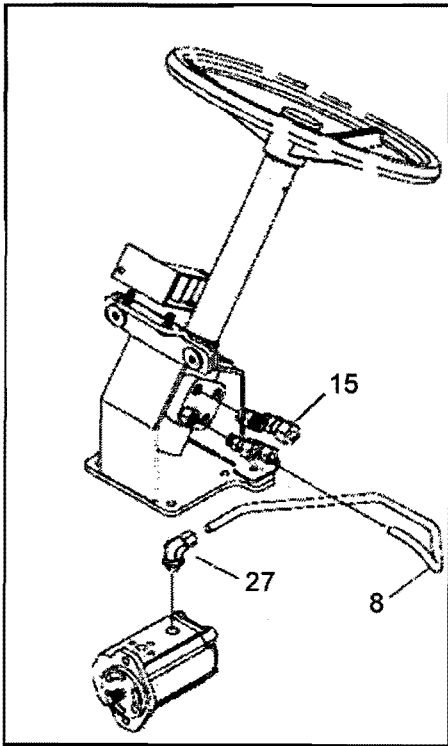




330HST / 390HST

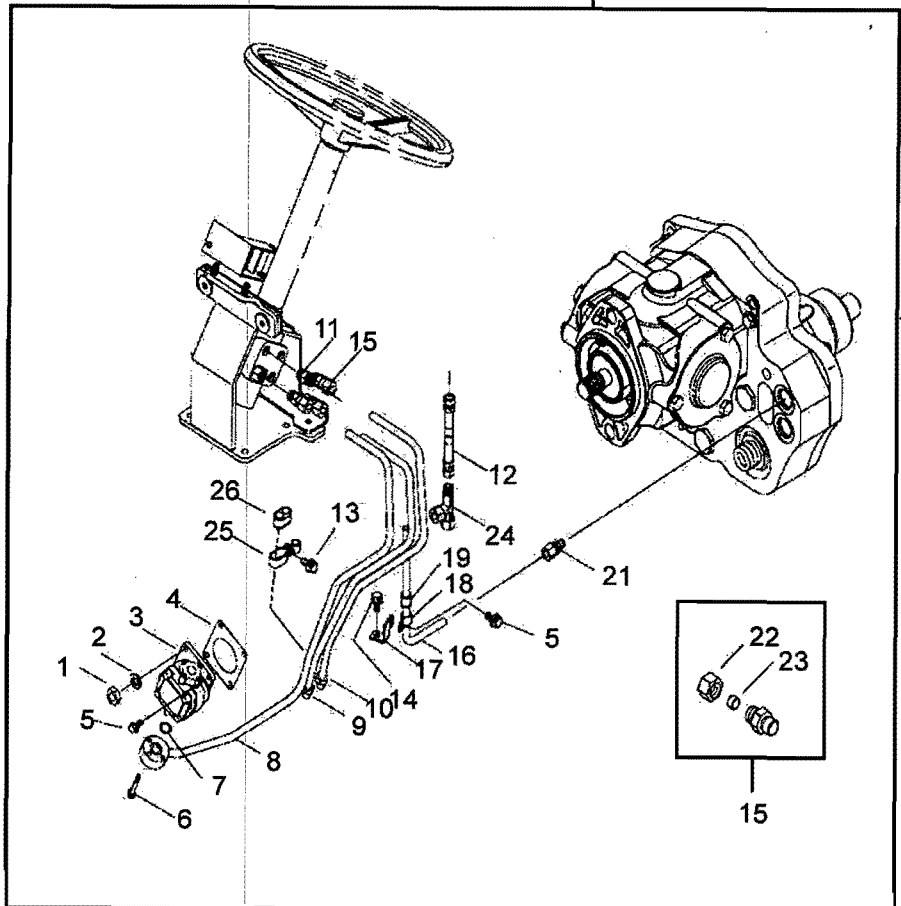
ITEM	LONG No.	VENDOR No.	DESCRIPTION	QTY.	
				330HST	390HST
1-15	LG3351	A1630293	Steering Cylinder Assembly (293-446)	1	1
1	LG1948	S813035001	Ring, Snap (35)	2	2
2	LG3352	A1630159	Bushing, Ball	2	2
3	LG3353	A1630319	Cylinder Assembly	1	1
4	LG3354	A1630161	Ring, Backup (50)	2	2
5	LG3355	A1630162	O-Ring (43.7x3.5)	1	1
6	LG1949	A1630160	Nut, Lock (M16x2)	1	1
7	LG3356	A1630321	Piston (50)	1	1
8	LG1272	S80104010	O-Ring (45.7x3.5)	1	1
9	LG1295	S801046010	O-Ring (45.7x3.5)	1	1
10	LG3357	A1630322	Sleeve	1	1
11	LG3358	A1630163	U-Packing (22.4)	1	1
12	LG3359	A1630164	Seal, Dust (22.4)	1	1
13	LG3360	A1630320	Rod, Piston (22.4)	1	1
14	LG3361	A1630323	Ring, Wire (2)	1	1
15	LG3362	A1630324	Ring, Stop	1	1

330HST / 390HST



330 HST

390 HST



**330HST / 390HST**

ITEM	LONG No.	VENDOR No.	DESCRIPTION	QTY.	
				330HST	390HST
1	N620013S8	S313080013	Nut, Hex (M8x1.25)	-	2
2	N630173S8	S361080013	Washer, Spring (8.2x15.4x2.2)	-	2
3	LG2278	A1630221	Pump, Steering (6.99)	-	1
4	LG2015	3A1823010	Packing, Pump (0.6)	-	1
5	LG1897	S155082033	Bolt, Hex (M8x1.25x20)	1	2
6	LG1952	S153063533	Bolt, Hex (M6x1.0x35)	-	3
7	LG1275	S801018010	O-Ring (17.8x2.4)	-	1
8	LG2283	A1630241	Pipe, P/S Pressure (12)	-	1
-	LG4348	A1630429	Pipe, P/S Pressure (12)	1	-
9	LG2284	A1630242	Pipe, P/S RH (12)	1	1
10	LG2285	A1630243	Pipe, P/S LH (12)	1	1
11	LG4945	A1630498	Joint, Bite Pipe	1	1
12	LG4946	A1640017	Hose, Steering Drain	1	1
13	LG1953	S155062033	Bolt, Hex (M6x1.0x20L)	1	1
14	N600421S8	S153102033	Bolt, Hex (10x1.25x20L)	1	1
15	LG1195	A1630144	Joint	4	4
16	LG4353	A1630432	Pipe, Bypass	1	1
17	LG4354	A1630454	Bracket, Clamp	1	1
18	LG3698	A1630238	Clamp	1	1
19	LG3697	A1630239	Rubber, Clamp	1	1
20	N600420S8	S155102533	Bolt, Hex (M10x1.25x25)	1	1
21	LG4355	A1640007	Joint	1	1
22	LG1458	A1823033	Sleeve	2	2
23	LG1801	A1823034	Nut, Hex	2	2
24	LG4947	A1630499	Tee, Union	1	1
25	LG2289	A1630247	Clamp	1	1
26	LG2276	A1630166	Rubber	1	1
27	LG4357	A1630436	Elbow	1	1

Notes

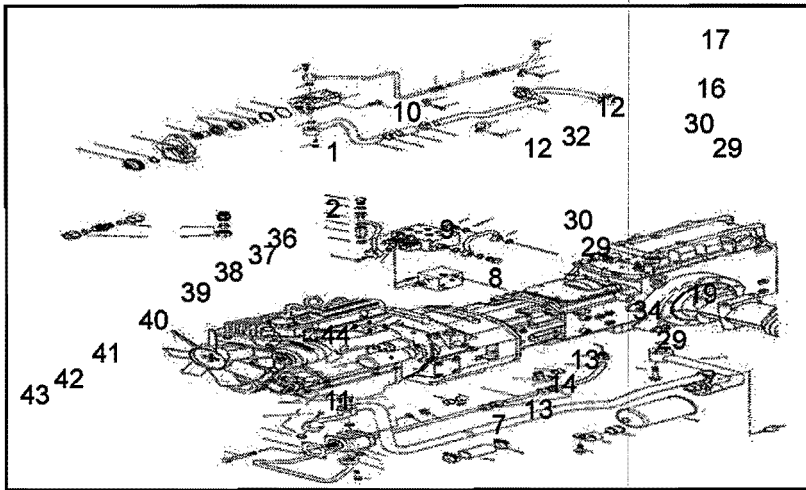
330 HST / 390 HST

SECTION 15

HYDRAULICS SYSTEM

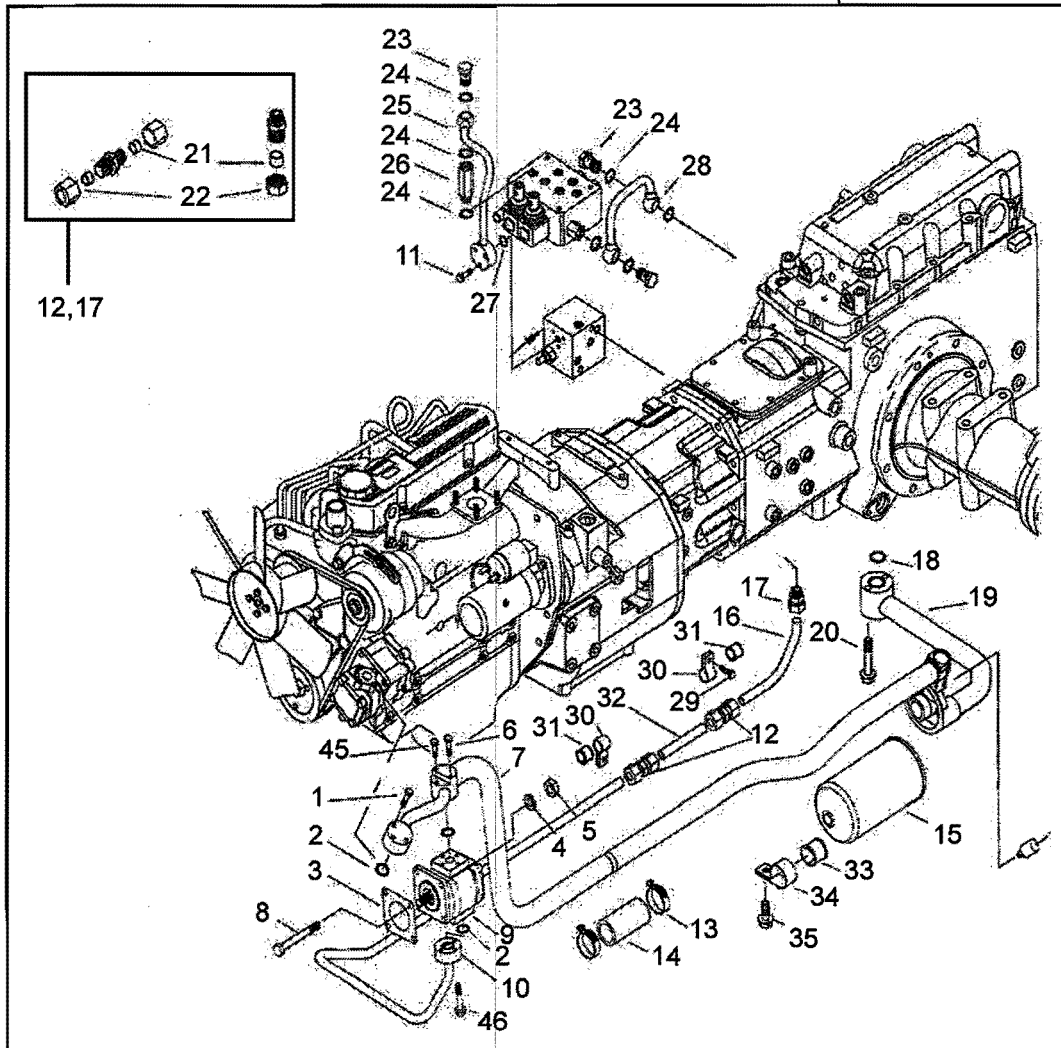
 **Long Agribusiness**

COMMON SENSE SOLUTIONS



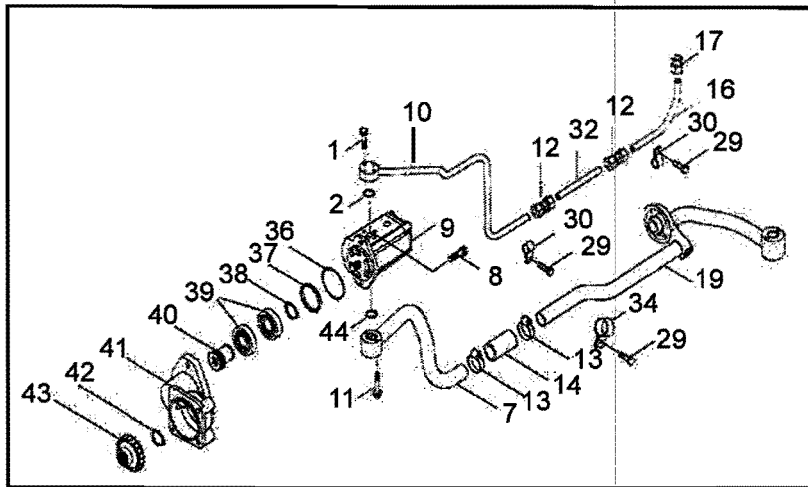
330 HST

390 HST

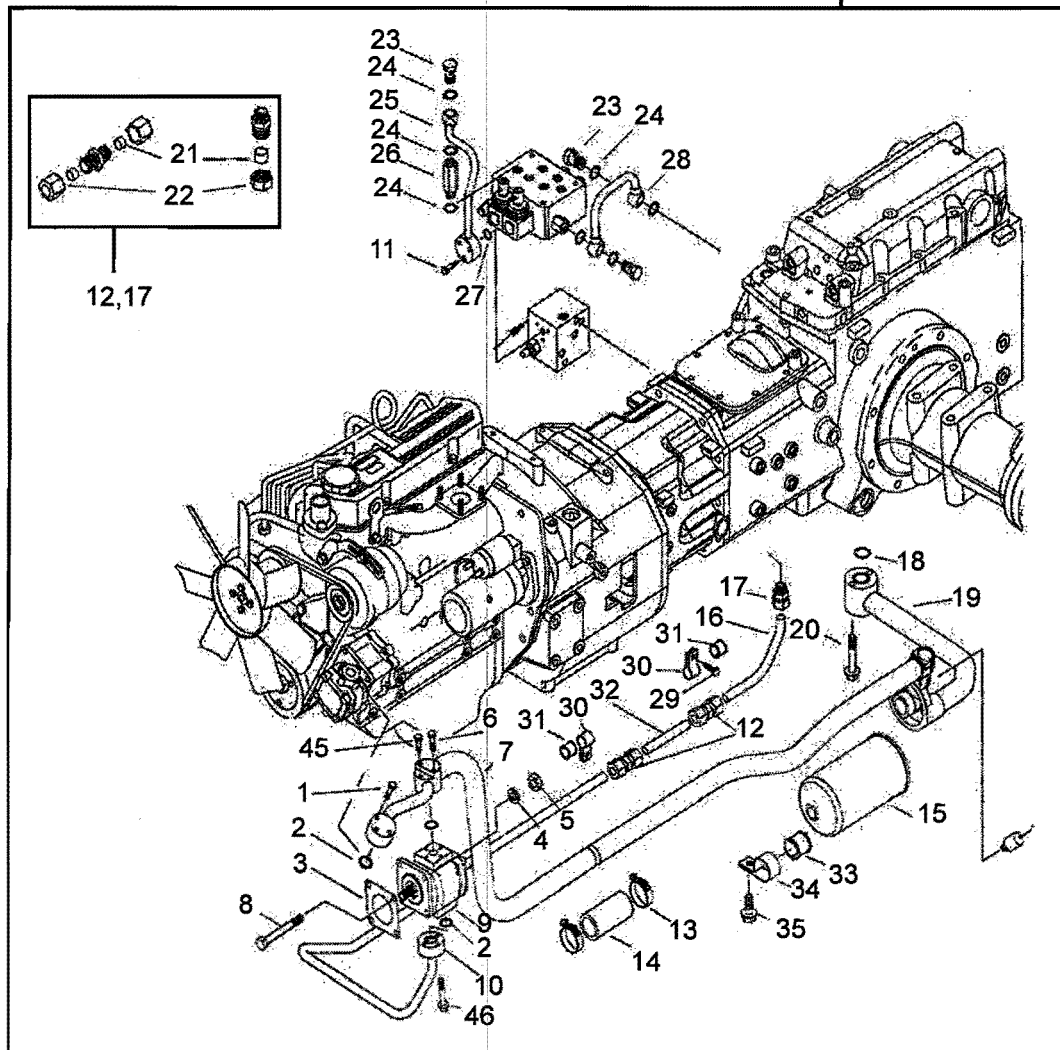


**330HST / 390HST**

ITEM	LONG No.	VENDOR No.	DESCRIPTION	QTY.	
				330HST	390HST
1	LG1959	S153064533	Bolt, Hex (M6x1.0x45)	-	3
-	N600422S8	S153083533	Bolt, Hex, (M8x1.25x35)	4	-
2	LG1275	S801018010	O-Ring (17.8x2.4)	1	3
3	LG2015	3A1823010	Gasket, Pump (0.5)	-	1
4	N630173S8	S361080013	Washer, Spring (8.2x15.4x2.0)	-	4
5	N620013S8	S313080043	Nut, Hex S2-TY (M8x1.25)	-	2
6	LG1960	S153065533	Bolt, Hex (M6x1.0x55)	-	2
7	LG4393	A1823342	Pipe, Frt/Suction (35)	-	1
-	LG4394	A1823344	Pipe, Frt/Suction (35)	1	-
8	LG4111	A1970325	Bolt, Hex (M8x1.25x150)	-	2
-	LG1864	S154103033	Bolt, Hex (M10x1.25x30)	2	-
9	LG4104	A1823279	Pump, Hydraulic Lift (12cc/rev)	-	1
-	LG4395	A1823351	Pump, Hydraulic Lift (7.2/12 cc/rev)	1	-
10	LG4396	A1823347	Pipe, F/Pressure (15)	-	1
-	LG4397	A1823348	Pipe, F/Pressure (15)	1	-
11	LG1952	S153063533	Bolt, Hex (M6x1.0x35)	3	3
-	N600423S8	S153085533	Bolt, Hex (M8x1.25x55)	2	-
12	LG2353	A1823076	Straight Union (BU-15)	2	2
13	LG1046	A1970201G	Clamp, Hose (27-50)	2	2
14	LG4398	A5000401	Hose, Suction	1	1
15	LG4399	A1823315	Filter, Hydraulic	1	1
16	LG4400	A1823349	Pipe, Mid/Pressure (15)	1	1
17	LG2365	A1823189	Joint (BOM15-03G)	1	1
18	LG4401	S804030010	O-Ring (29.5x2.0)	1	1
19	LG4402	A1823343	Pipe, R/Suction (35)	-	1
-	LG4403	A1823345	Pipe, R/Suction (35)	1	-
20	N600424S8	S154107533	Bolt, Hex (M10x1.25x75)	2	2
21	LG1458	A1823033	Sleeve (15)	3	3
22	LG1801	A1823034	Nut, Hex	3	3
23	LG1708	A1630201	Bolt, Union (PF3/8)	3	3
24	LG3367	A1823245	Seal, Bonded (16.8x24x1.5)	7	7
25	LG2363	A1823181	Pipe, Aux. Pressure (12)	1	1
26	LG2396	A1827157	Connector (PF3/8)	1	1
27	LG1293	S801016010	O-Ring (15.8x2.4)	1	1
28	LG2364	A1823182	Pipe, R/ Pressure (12)	1	1
29	LG1962	S155082533	Bolt, Hex (M8x1.25x25)	3	2
30	LG2354	A1823121	Clamp, Pipe	2	2
31	LG2016	3A1823029	Cushion, Clamp	2	2
32	LG3516	A1823256	Pipe, Mid/Connection (15)	1	1
33	LG4404	A1823313	Cushion, Clamp	1	1



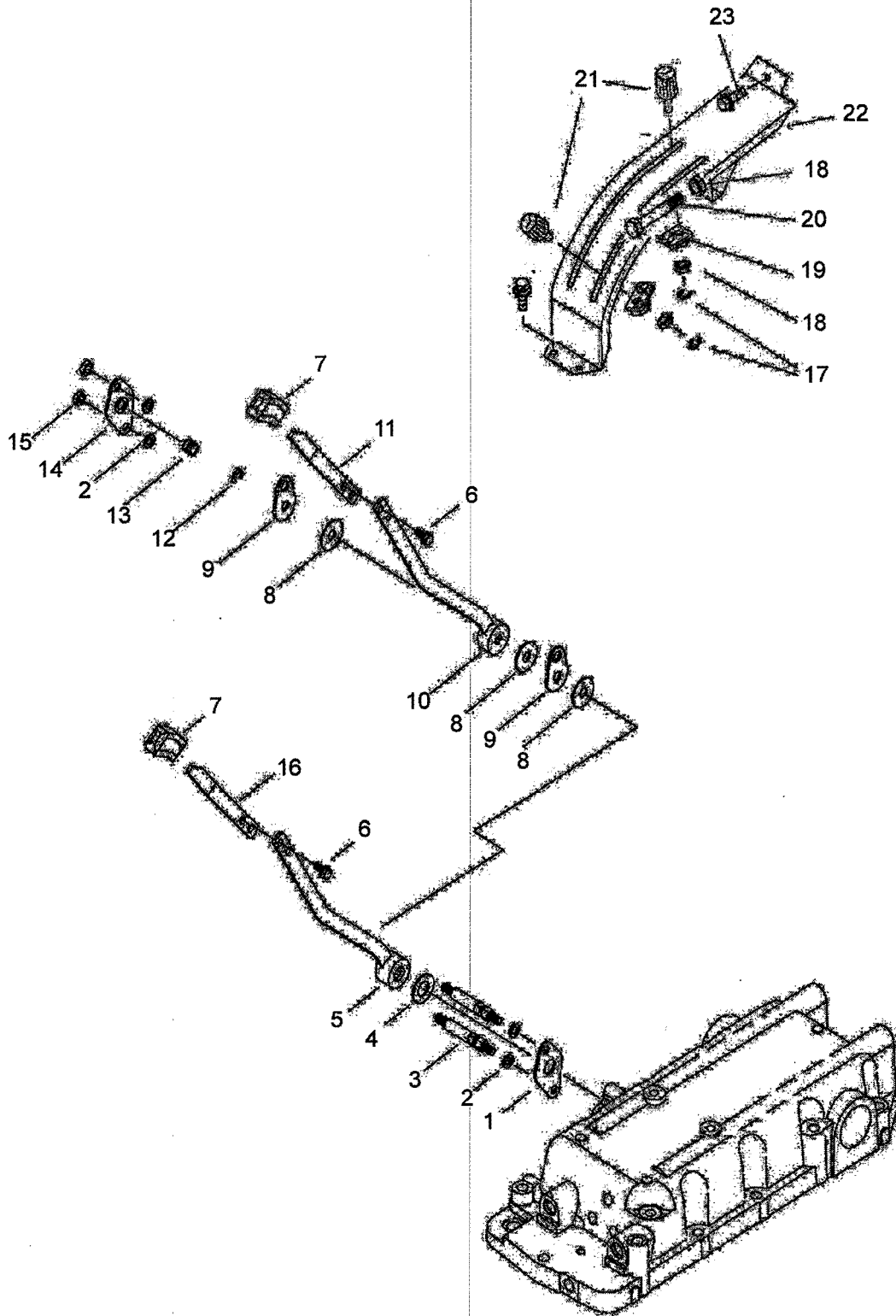
330 HST



390 HST

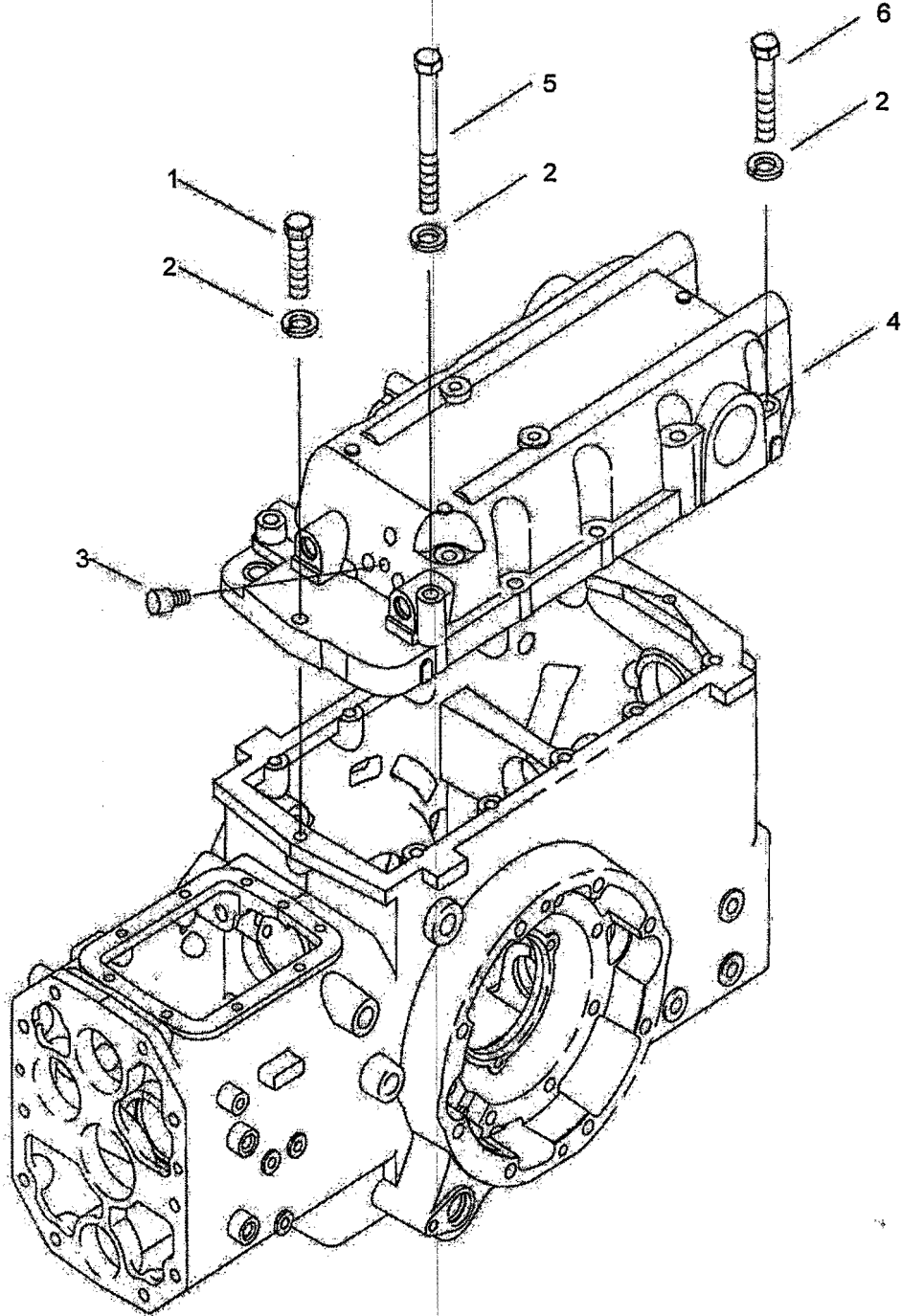


ITEM	LONG No.	VENDOR No.	DESCRIPTION	QTY.	
				330HST	390HST
34	LG4405	A1823350	Clamp	-	1
-	LG4406	A1823312	Clamp	1	-
35	LG1862	S154102033	Bolt, Hex (M10x1.25x20)	-	1
36	LG1289	S804080010	O-Ring (79.5x2.0)	1	-
37	LG4407	A1823335	Space, Holder (0.5)	1	-
38	N661255	S810030001	Ring, Snap (30)	1	-
39	LG4408	A0860060	Bearing, Ball (6006zz)	2	-
40	LG4409	A1823334	Gear, Pump Drvn	1	-
41	LG4410	A1823336	Holder, Gear Pump	1	-
42	N661221S	S810025001	Ring, Snap (25)	1	-
43	LG4411	A1823333	Gear, Pump Drn	1	-
44	LG4412	S804024010	O-Ring (23.5x2.0)	1	-
45	LG4175	S153064033	Bolt, Hex	-	1
46	LG4174	S153063033	Bolt, Hex	-	3



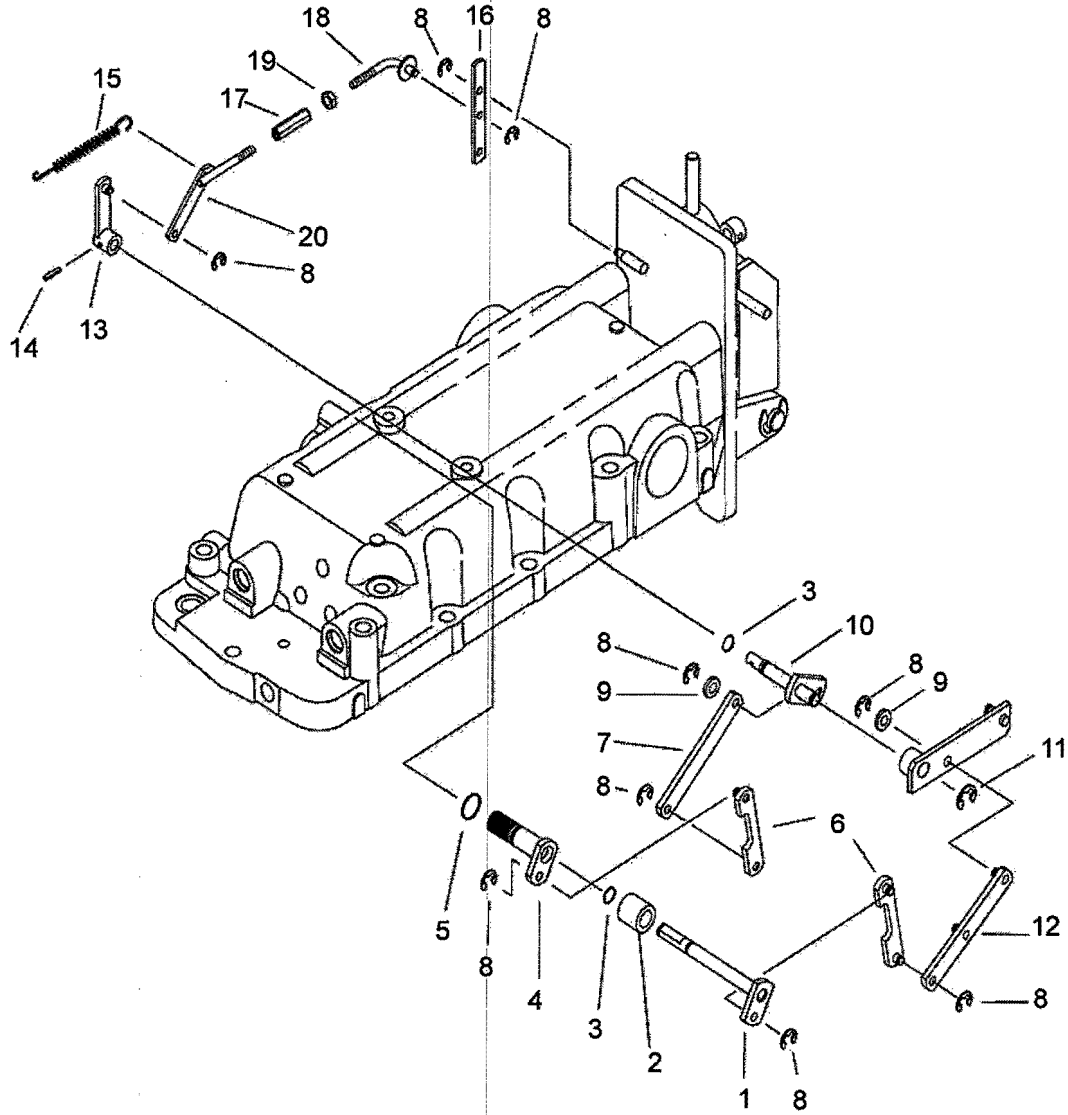
330HST / 390HST

ITEM	LONG No.	VENDOR No.	DESCRIPTION	QTY.	
				330HST	390HST
1	LG1057	A1825033	Cover	1	1
2	N630174S8	S361100013	Washer, Spring (10.2x18.4x2.5)	4	4
3	LG4007	A1825085	Support, Lever	2	2
4	LG2371	A1825023	Plate Friction (L)	1	1
5	LG2375	A1825059	Lever, Draft Control	1	1
6	LG1897	S155082033	Bolt, Hex (M8-1.25x20)	4	4
7	LG1199	A1970241	Grip, Handle	2	2
8	LG2372	A1825024	Plate, Friction (S) (13x2)	3	3
9	LG1360	A1825024	Plate, Locking	2	2
10	LG2374	A1825058	Lever, Position	1	1
11	LG2376	A1825061	Extension, Lever	1	1
12	N6601208	S810012001	Ring, Snap (12)	1	1
13	LG3957	A1825034	Spring	1	1
14	LG2373	A1825034	Cover	1	1
15	500307	S302100043	Nut, Hex (M10x1.25)	2	2
16	LG3396	A1825060	Extension Lever	1	1
17	LG1873	S814006003	Ring, Snap	4	4
18	N620013S8	S305080043	Nut, Hex	4	4
19	LG1502	A1825057	Stop, Plate	4	4
20	500347	S163085043	Bolt, Hex	2	2
21	LG1153	A1825056	Knob	4	4
22	LG4949	A1825159	Guide, Hydraulic Lever	1	1
23	LG1971	S159081633	Bolt, Hex	3	3



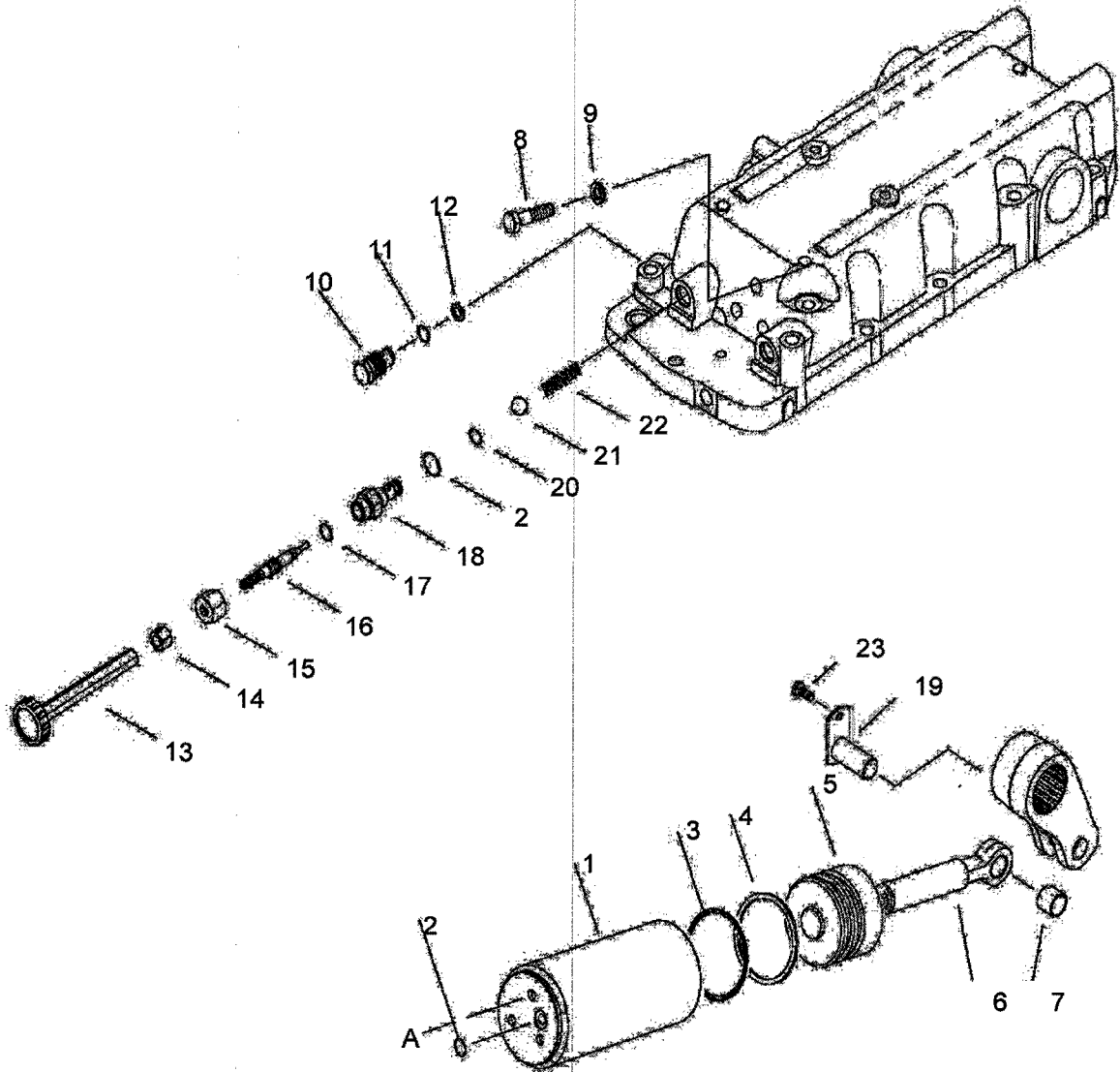
330HST / 390HST

<i>ITEM</i>	<i>LONG No.</i>	<i>VENDOR No.</i>	<i>DESCRIPTION</i>	<i>QTY.</i>	
				330HST	390HST
1	N600414S8	S105124543	Bolt, Hex-Small (M12x1.75x45)	5	5
2	N630175S8	S361120013	Washer, Spring (12.2x21.5x3.0)	12	12
3	LG1002	A1250049	Plug, Airvent	1	1
4	LG2350	A1820032	Housing, Hydraulic Lift	1	1
5	LG1939	S105128543	Bolt, Hex-Small (M12x1.75x85)	3	3
6	N600417S8	S105126043	Bolt, Hex-Small (M12x1.75x60)	4	4



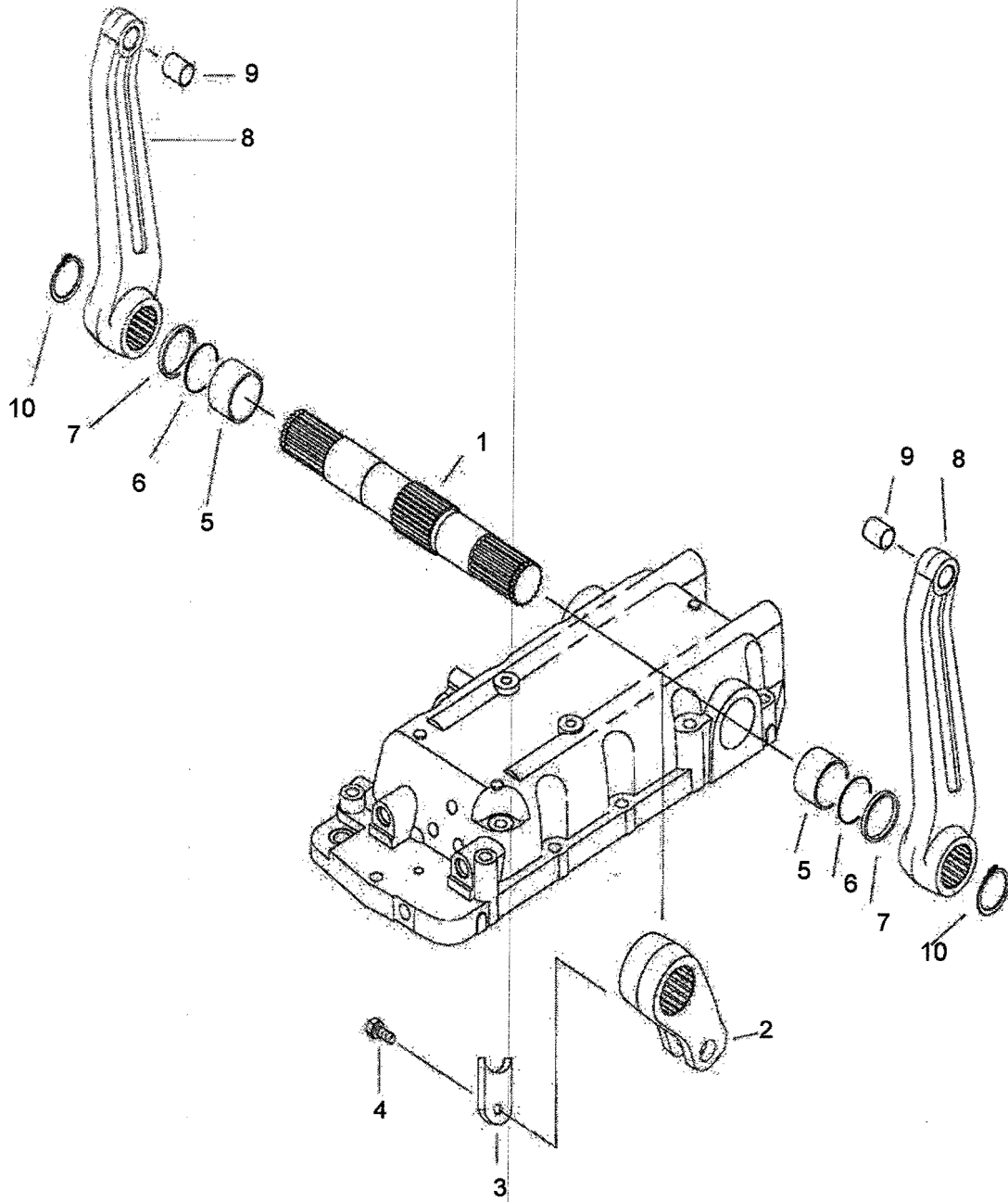
330HST / 390HST

ITEM	LONG No.	VENDOR No.	DESCRIPTION	QTY.	
				330HST	390HST
1	LG1433	A1824020	Shaft, Position	1	1
2	LG2370	A1824029	Spacer (12x20x23.5)	1	1
3	LG1270	S801009010	O-Ring (8.8x19)	2	2
4	LG1422	A1824021	Shaft, Draft	1	1
5	LG1293	S801016010	O-Ring (15.8x2.4)	1	1
6	LG1252	3A1824003	Link (B)	2	2
7	LG2368	A1824027	Link, Draft	1	1
8	LG1873	S814006003	Ring, Snap (6)	9	9
9	N630068S8	S364080013	Washer, Flat (8.4x17x1.6)	2	2
10	LG1414	A1824022	Shaft	1	1
11	LG1875	S814009003	Ring, Snap(9)	1	1
12	LG2367	A1824026	Link, Position	1	1
13	LG1691	A1824019	Arm	1	1
14	N646569S8	S446042012	Pin, Spring (4x20)	1	1
15	LG3395	A1824035	Spring	1	1
16	LG1258	3A1824011	Link	1	1
17	LG1194	3A1824014	Joint	1	1
18	LG1387	3A1824010	Rod (A)	1	1
19	N620013S8	S313080043	Nut, Hex	1	1
20	LG1388	3A1824007	Rod (B)	1	1



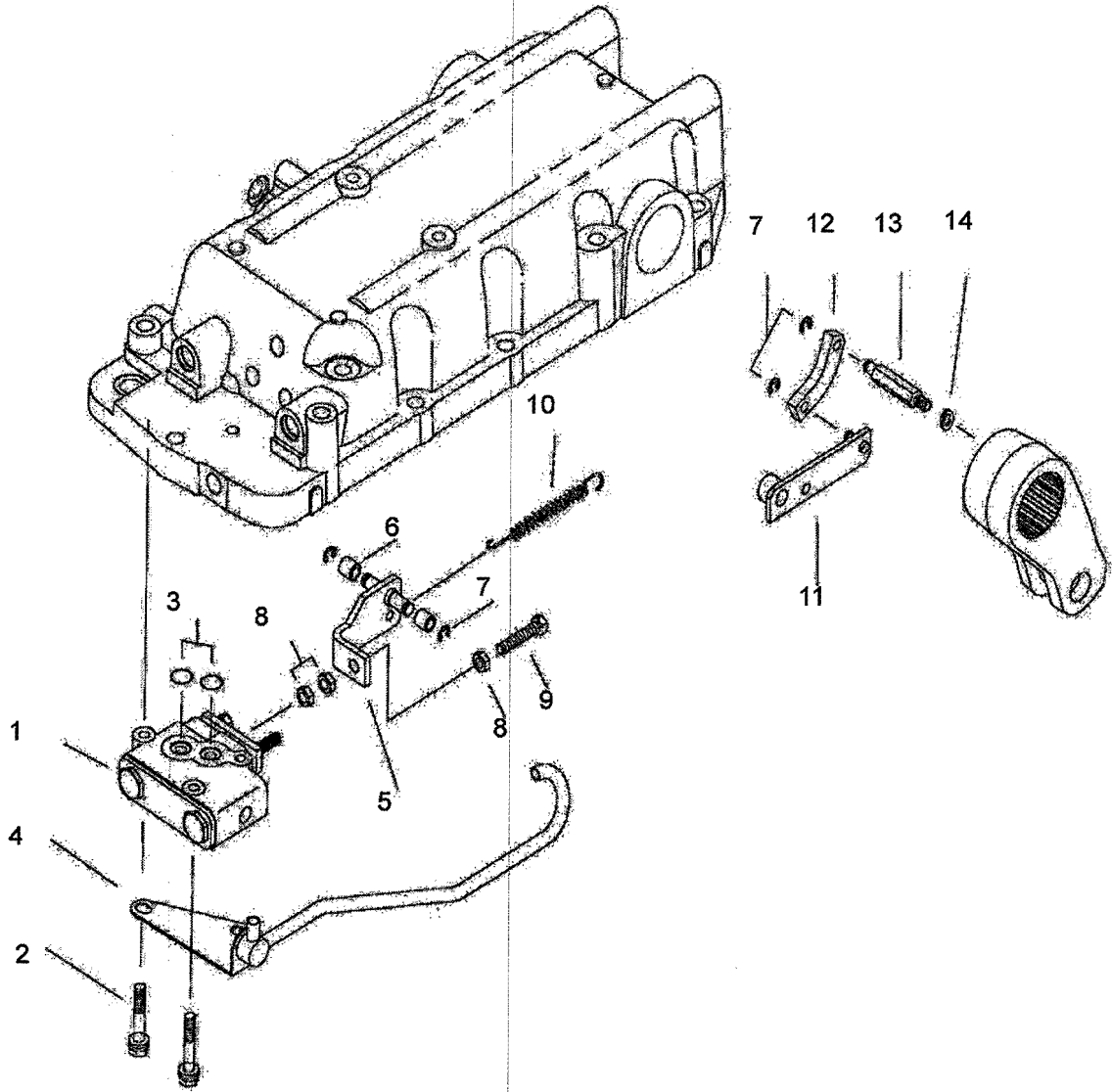
**330HST / 390HST**

ITEM	LONG No.	VENDOR No.	DESCRIPTION	QTY.	
				330HST	390HST
1	LG2378	A1826032	Cylinder, Hydraulic (80)	1	1
2	LG1273	S801014020	O-Ring (13.8x2.4)	2	2
3	LG2384	A1826085	O-Ring (69.6x5.7)	2	2
4	LG2380	A1826048	Ring, Backup (70x80x3.0)	2	2
5	LG2021	3A1826003	Piston, Hydraulic (80)	1	1
6	LG1390	A1826033	Rod, Piston	1	1
7	LG1010	3A1970002	Bushing (22x25x20)	1	1
8	LG1965	S103125043	Bolt, Hex (M12x1.25x50)	3	3
9	N630175S8	S361120013	Washer, Spring (12.2x21.5x3.0)	3	3
10	LG2379	A1826037	Valve, Safety	1	1
11	LG1275	S801018010	O-Ring (17.8x2.4)	1	1
12	LG1404	A1826036	Seal (10.5x18x1.0)	1	1
13	LG2467	A1970259	Knob	1	1
14	LG1890	S845080013	Nut, Flange B-TY (M8x1.25)	1	1
15-20	LG2382	A1826078	Flow, Regulator	1	1
15	LG1966	A1826081	Nut, Hex (M18x1.25)	1	1
16	LG1967	A1826080	Screw, Adjust	1	1
17	LG2499	S801006020	O-Ring (5.8x1.9)	1	1
18	LG2383	A1826079	Body, Regulator	1	1
19	LG1318	3A1826001	Pin (22)	1	1
20	LG1728	S801010020	O-Ring (9.8x1.9)	1	1
21	LG2476	A20063480	Ball, Steel (3/8)	1	1
22	LG2381	A1826058	Spring (8.6x1.4)	1	1
23	LG1968	S153101633	Bolt, Hex (M8x1.25x16)	1	1



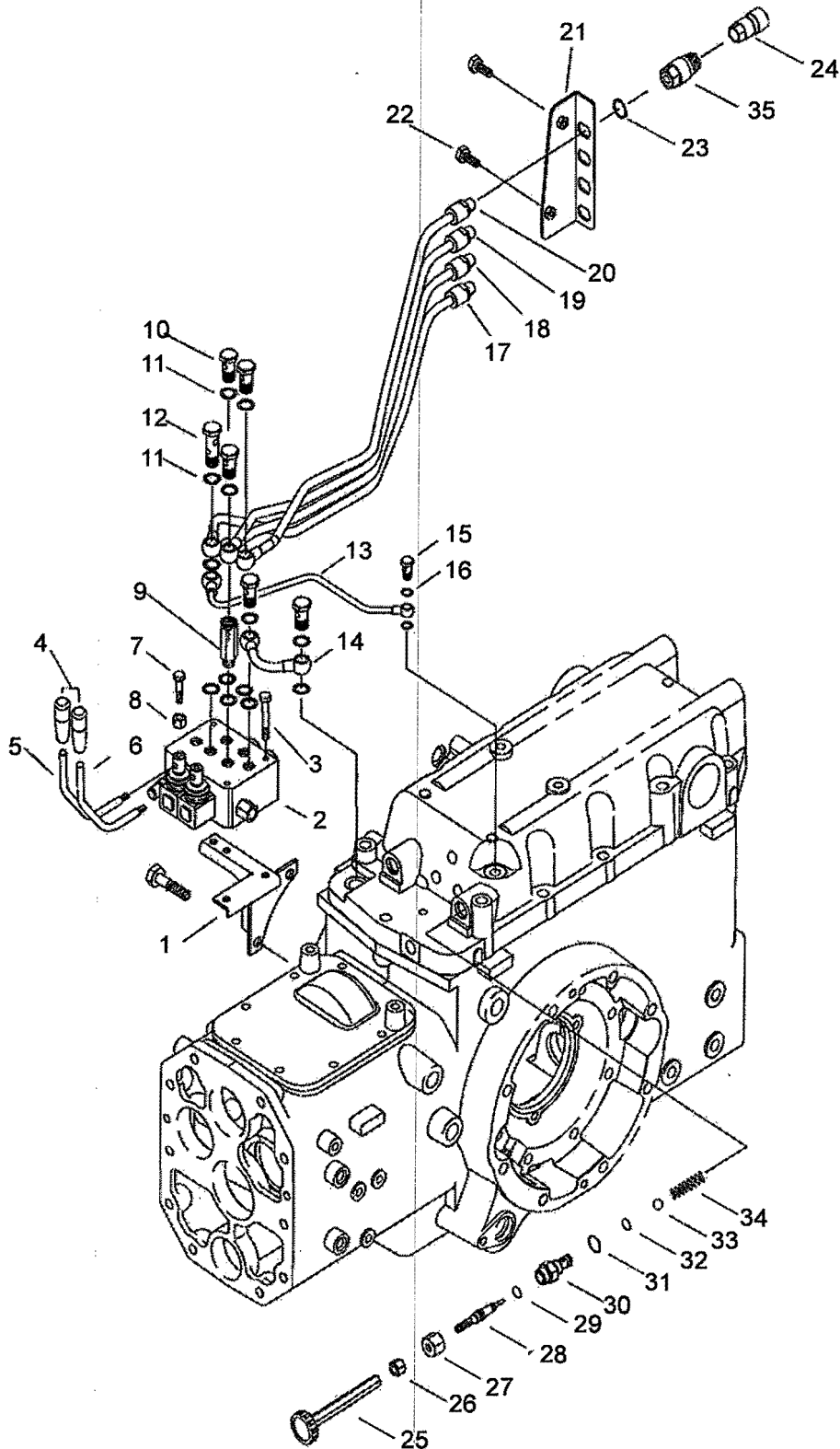
**330HST / 390HST**

<i>ITEM</i>	<i>LONG No.</i>	<i>VENDOR No.</i>	<i>DESCRIPTION</i>	<i>QTY.</i>	
				330HST	390HST
1	LG1426	A1821030	Shaft, Hydraulic	1	1
2	LG1704	A1821029	Arm, Power	1	1
3	LG1359	A1826094	Plate, Lock	1	1
4	LG1860	S153081633	Bolt, Hex (M8x1.25x16)	1	1
5	LG1009	3A1821005	Bushing (45x50x30)	2	2
6	LG1279	S802045010	O-Ring (44.4x3.1)	2	2
7	LG1052	3A1821004	Collar (45x50x5.0)	2	2
8	LG2002	2A1821006	Arm, Lift	2	2
9	LG2012	3A1821007	Bushing (19x22x25)	2	2
10	N661232S	S810042001	Ring, Snap (38.5)	2	2



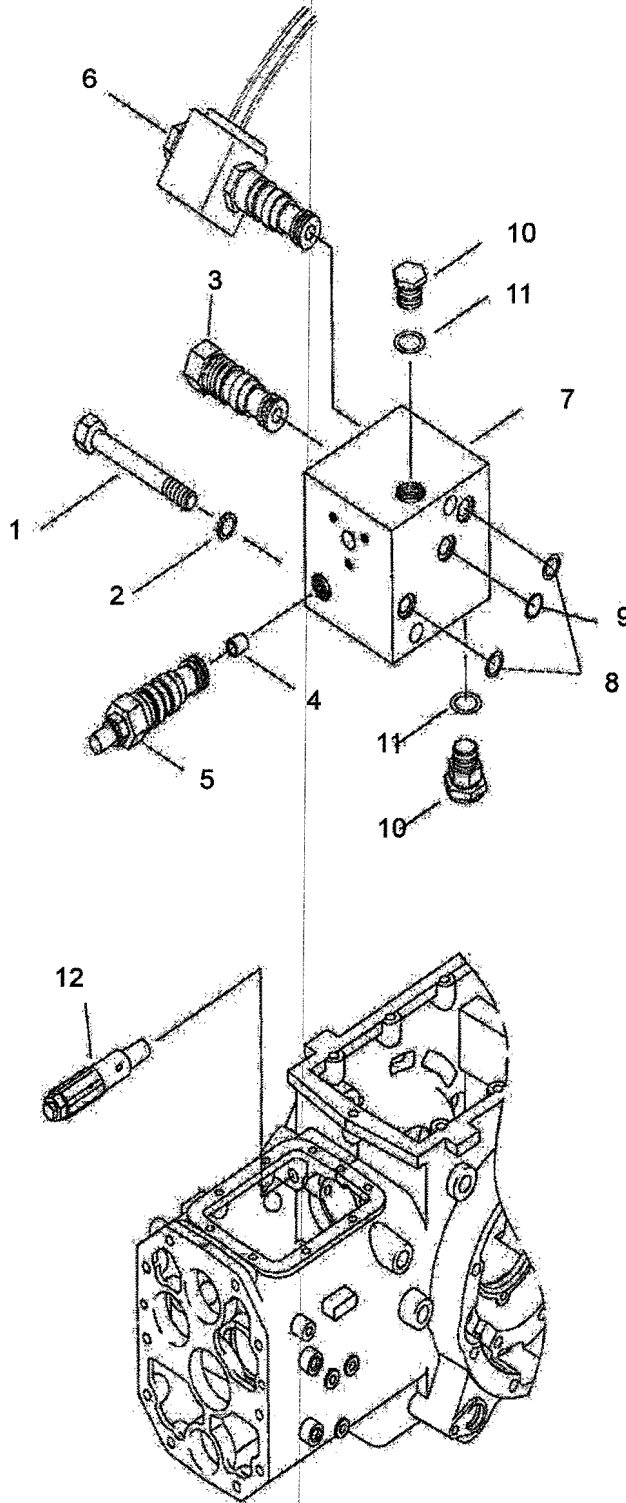
330HST / 390HST

ITEM	LONG No.	VENDOR No.	DESCRIPTION	QTY.	
				330HST	390HST
1	LG1528	A1822027	Valve Control	1	1
2	LG1954	S155085033	Bolt, Hex (M8x1.25x50)	3	3
3	LG1271	S801012020	O-Ring (11.8x2.4)	2	2
4	LG1337	2A1822012	Pipe, Lubrication	1	1
5-7	LG2366	A1824025	Clevis Assembly	1	1
5	LG1955	A1824030	Clevis	1	1
6	LG3386	3A1822006	Roller (8x12x12.5)	2	2
7	LG1873	S814006003	Ring, Snap (E) (6)	4	4
8	N620013S8	S313080043	Nut, Hex (M8x1.25)	3	3
9	500347	S163085043	Bolt, Hex (M8x1.25x50)	1	1
10	LG4165	A1822086	Spring	1	1
11	LG2369	A1824028	Link	1	1
12	LG2013	3A1822010	Link (E)	1	1
13	LG1956	A1822031	Pin (H12)	1	1
14	N630173S8	S361080013	Washer, Spring (8.2x15.4x2.0)	1	1



330HST / 390HST

ITEM	LONG No.	VENDOR No.	DESCRIPTION	QTY.	
				330HST	390HST
1	LG4413	A1827219	Bracket, Valve	1	1
2	LG4053	A1827178	Valve, Remote Control (SD5-2)	1	1
3	LG1969	S153086033	Bolt, Hex (M8x1.25x60)	3	3
4	LG1155	A1970242	Grip, Valve Lever	2	2
5	LG4054	A1827145	Lever (2), Valve	1	1
6	LG3397	A1827144	Lever (1), Valve	1	1
7	500236	S101103043	Bolt, Hex, Small (M10x1.5x30)	2	2
8	N620014S8	S305100013	Nut, Hex (M10x1.5)	2	2
9	LG2393	A1827152	Connector (PF 3/8)	1	1
10	LG1708	A1630201	Bolt, Union (PF 3/8)	5	5
11	LG3367	A1823245	Seal, Bonded (16.8x24x1)	14	14
12	LG1970	A1827121	Bolt, Union (PF 3/8)	1	1
13	LG2395	A1827154	Pipe, Aux. S/D	1	1
14	LG2392	A1827150	Pipe, Aux. Drain	1	1
15	LG1802	A1823157	Bolt, Union (M12x1.75)	1	1
16	LG1803	A1823158	Washer, Copper (12.2x18x1)	2	2
17	LG2391	A1827149	Pipe, Remote Control 2nd (D)	1	1
18	LG2390	A1827148	Pipe, Remote Control 2nd (U)	1	1
19	LG2389	A1827147	Pipe, Remote Control 1st (D)	1	1
20	LG2388	A1827146	Pipe, Remote Control 1st (U)	1	1
21	LG4950	A1827237	Bracket, Pipe	1	1
22	LG1971	S159081633	Bolt, Hex W/Washer (M8x1.25x16)	2	2
23	LG4894	A1877218	Ring Snap (25)	4	4
24	LG3399	A1827177	Quick Coupler (PS 1/2)	4	4
25	LG2467	A1970259	Knob	1	1
26	LG1890	S345080013	Nut, Flange B-TY (M8x1.25)	1	1
27-32	LG2382	A1826078	Flow, Regulator	1	1
27	LG1966	A1826081	Nut, Hex (M8x1.5)	1	1
28	LG1967	A1826080	Screw, Adjust	1	1
29	LG2499	S801006020	O-Ring (5.8x1.9)	1	1
30	LG2383	A1826079	Body, Regulator	1	1
31	LG1273	S801014020	O-Ring (13.8x2.4)	1	1
32	LG1728	S801010020	O-Ring (9.8x1.9)	1	1
33	LG2476	A20063480	Ball, Steel (3/8 Tab 16306)	1	1
34	LG2381	A1826058	Spring (8.6x1.4)	1	1
35	LG3400	A1827184	Reducer	4	4



330HST / 390HST

ITEM	LONG No.	VENDOR No.	DESCRIPTION	QTY.	
				330HST	390HST
1	LG1957	S107109043	Bolt, Hex (M10x1.25x90)	2	2
2	N630174S8	S361100013	Washer, Spring (10.2x18.4x2.5)	2	2
3-11	LG4386	A1822089	Independent PTO Valve Assembly	1	1
3	LG4387	A1822092	Valve, Sequence	1	1
4	LG4388	A1822095	Orifice	1	1
5	LG4389	A1822093	Valve, Reducing	1	1
6	LG4390	A1822091	Valve, Solenoid	1	1
7	LG4391	A1822090	Block, Independent PTO Valve	1	1
8	LG2500	A1822090	O-Ring (10.8x2.4)	2	2
9	LG1275	S801018010	O-Ring (17.8x2.4)	1	1
10	LG4392	A1822094	Plug (PF 1/4)	2	2
11	LG1486	S801011010	O-Ring (10.8x2.4)	2	2
12	LG3393	A1822066	Pressure Con. Valve	1	1

Notes

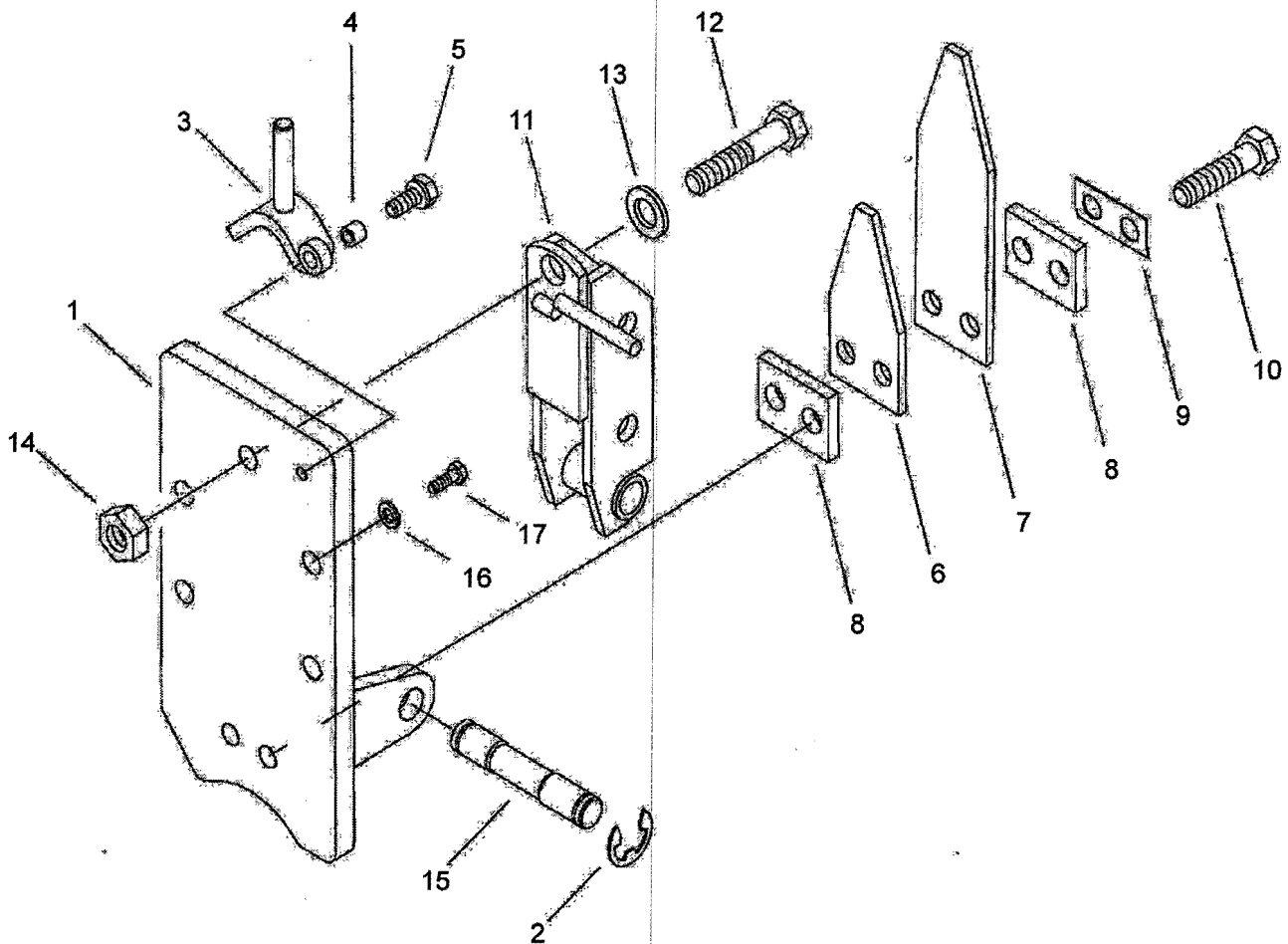
330 HST / 390 HST

SECTION 16

THREE POINT HITCH

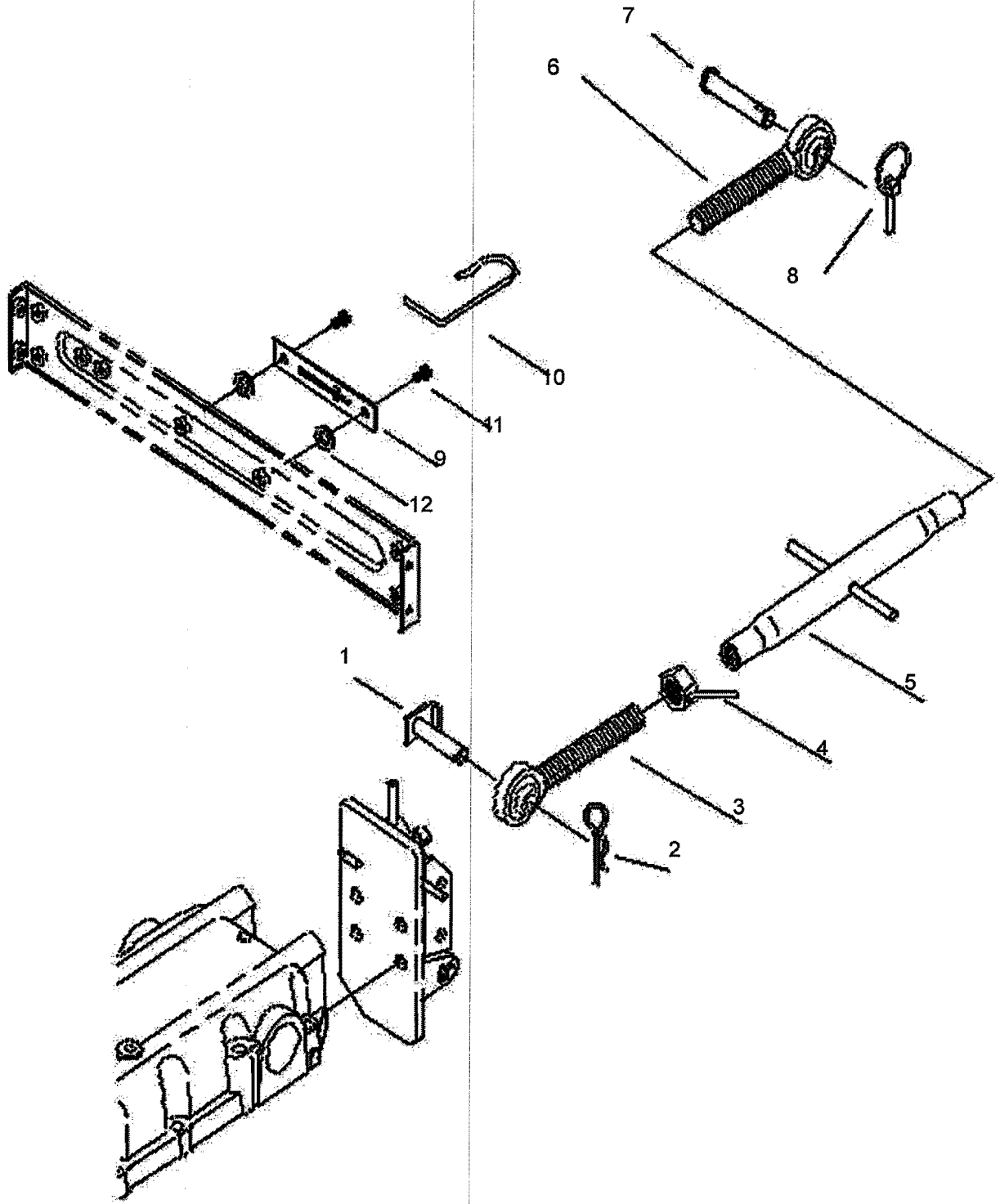
 **Long Agribusiness**

COMMON SENSE SOLUTIONS



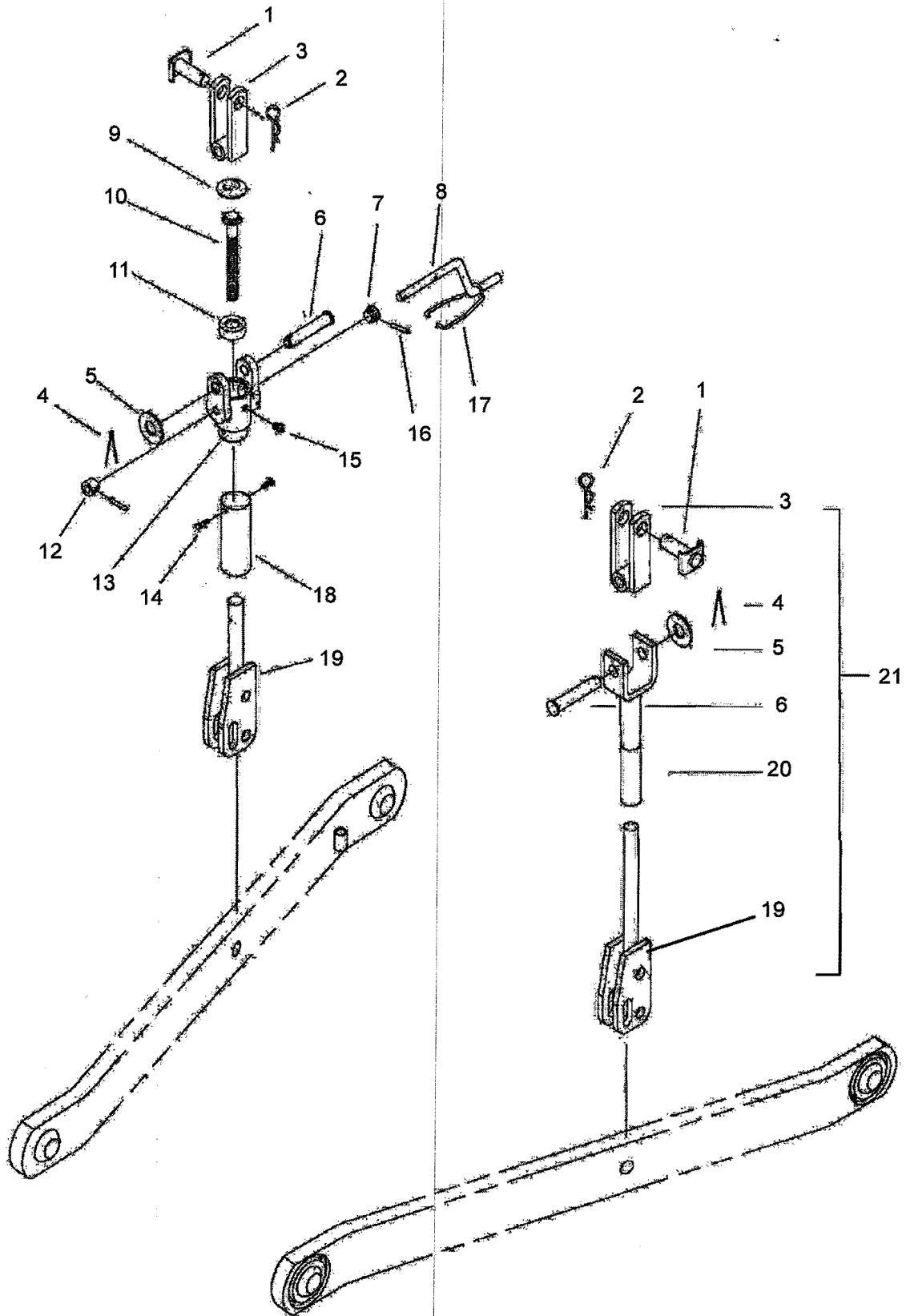


ITEM	LONG No.	VENDOR No.	DESCRIPTION	QTY.	
				330HST	390HST
1-15	LG3401	A1828033	Bracket, Top Link	1	1
1	LG3402	A1828034	Bracket	1	1
2	LG1972	S814015003	Ring, Snap	2	2
3	LG3784	3A1828010	Stop	1	1
4	LG3404	3A1828014	Collar	1	1
5	LG1962	S155082533	Bolt, Hex (M8x10)	1	1
6	LG3405	3A1828021	Spring, Leaf	1	1
7	LG3406	3A1828022	Spring, Leaf	1	1
8	LG3407	3A1828023	Plate	2	2
9	LG3408	3A1828024	Plate, Lock	1	1
10	500351	S107144543	Bolt, Hex (M14x1.5x45)	2	2
11	LG3409	A1828035	Bracket	1	1
12	LG1973	S103167043	Bolt, Hex (M6x1.5x70)	1	1
13	N630072S8	S364160053	Washer (16)	1	1
14	500394	S314160013	Nut, Hex (M16x1.5)	1	1
15	LG1974	3A1828025	Pin (20)	1	1
16	N630187S8	S361140013	Washer, Spring	4	4
17	500179-S8	S101143543	Bolt, Hex (M14x2x35)	4	4



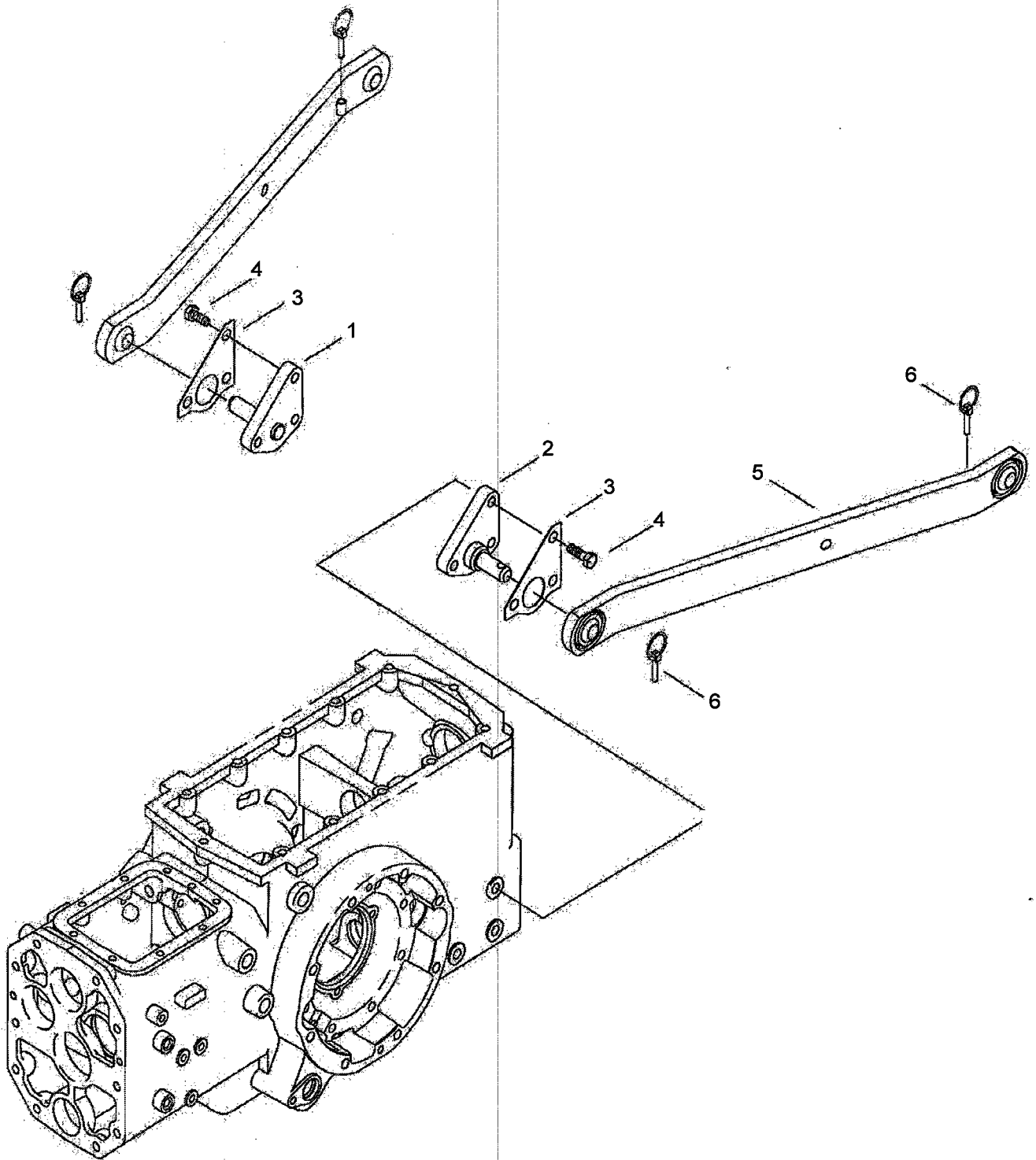
330HST / 390HST

ITEM	LONG No.	VENDOR No.	DESCRIPTION	QTY.	
				330HST	390HST
1	LG1326	A1896189	Pin, Top Link (19)	1	1
2	LG1991	3A1970091	Pin, Hair (19)	1	1
3-6	LG3444	3A1896002	Top Link Assembly (470-750)	1	1
3	LG3445	3A1986006	End, Top Link (M24x3)	1	1
4	LG1993	3A1970092	Nut, Lock (M24x3)	1	1
5	LG3446	2A1986003	Turn Buckle (M24x3)	1	1
6	LG3447	3A1896007	End, Top Link (R) (M24x3)(Cat1)	1	1
7	LG1994	3A1896013	Pin, Top Link (R) (19)	1	1
8	LG1320	3A1896081	Pin, Clevis	1	1
9	LG4951	A1896519	Bracket, Hook	1	1
10	LG3449	A1896336	Hook, Top Link	1	1
11	LG3965	S155081633	Bolt, Hex (M8x1.25x16)	2	2
12	LG3450	A1830277	Spacer, Grille	2	2



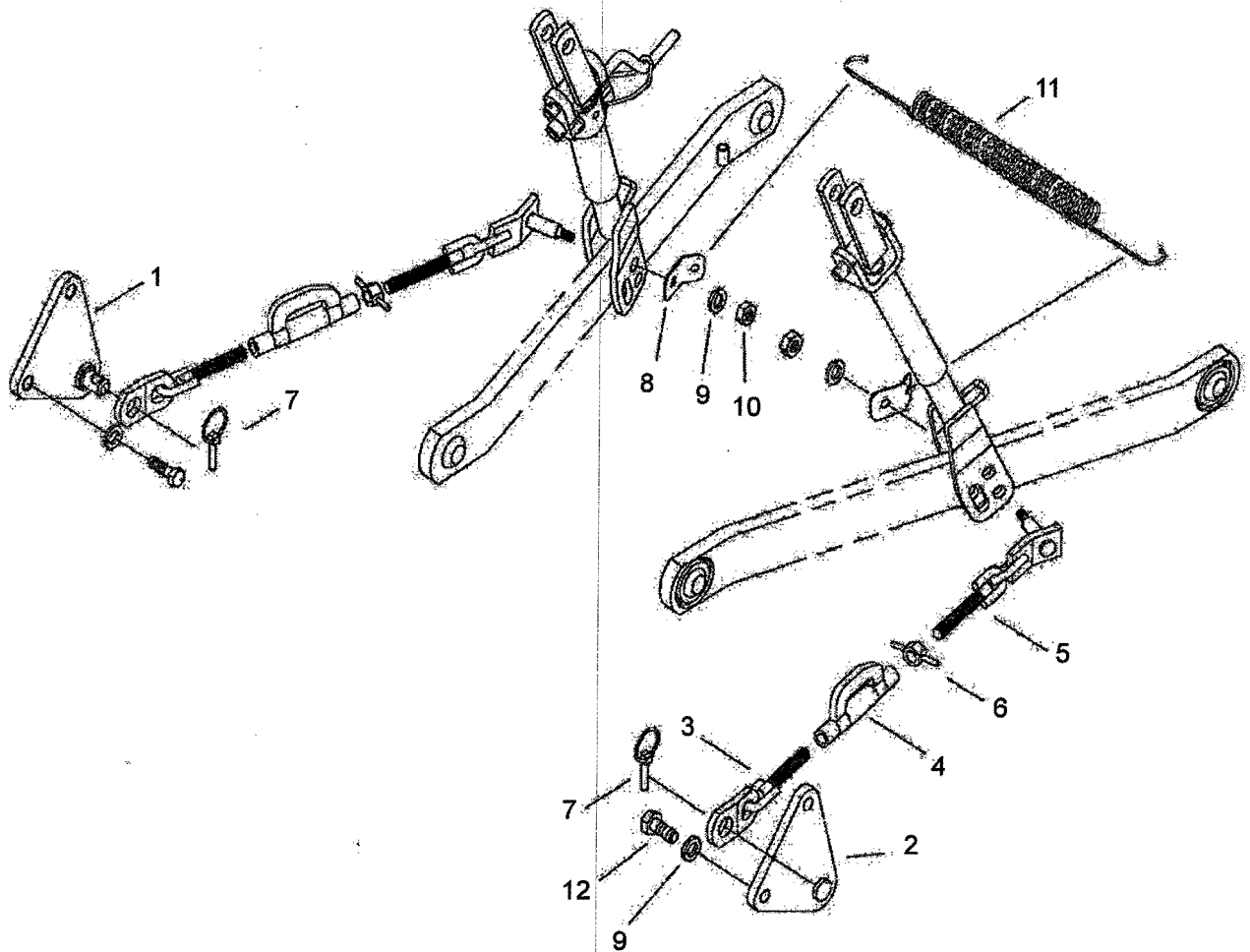
**330HST / 390HST**

ITEM	LONG No.	VENDOR No.	DESCRIPTION	QTY.	
				330HST	390HST
1	LG1995	3A1896058	Pin, Lift Rod (19)	2	2
2	LG1991	3A1970091	Pin, Hair	2	2
3-19	LG2455	A4896203	Lift Rod Assembly (RH) (430-540)	1	1
3	LG3451	3A1896035	Joint, Lift Rod	2	2
4	LG3453	S441403613	Pin, Cotter (3.7x36)	2	2
5	N630072S8	S363160013	Washer, Plain (17x3t)	2	2
6	LG1996	3A1896038	Pin, Clevis (16)	2	2
7	LG3452	3A1896049	Gear, Pinion	1	1
8	LG3453	3A1896048	Handle	1	1
9	LG3456	3A1970095	Plug, Expansion	1	1
10	LG3454	A1896206	Gear, Lift Rod	1	1
11	LG3455	A1896208	Bearing, Thrust (51204)	1	1
12	LG3456	3A1896050	Collar	1	1
13	LG3457	A1896207	Case, Gear	1	1
14	LG1998	S151061233	Bolt, Hex (M6x1.0)	2	2
15	LG1266	3A1970069	Nipple, Grease (PT 1/8")	1	1
16	500340	S446062212	Pin, Spring (6x22)	2	2
17	LG1999	3A1896051	Pin, Handle Stop	1	1
18	LG3458	A1896209	Cover	1	1
19	LG3459	A1896204	Rod, Lower Lift	2	2
20	LG3460	A1896205	Rod, Upper Lift	1	1
21	LG2454	A1896202	Lift Rod Assembly (LH)	1	1



330HST / 390HST

<i>ITEM</i>	<i>LONG No.</i>	<i>VENDOR No.</i>	<i>DESCRIPTION</i>	<i>QTY.</i>	
				<i>330HST</i>	<i>390HST</i>
1	LG1322	A1896188	Pin, Lower Link (RH) (22)	1	1
2	LG1321	A1896187	Pin, Low Link (LH) (22)	1	1
3	LG2452	A1891020	Plate Lock	2	2
4	LG4087	A1896473	Bolt, Hex (M14x2x40L)	6	6
5	LG2457	A1896320	Low Link Assembly	2	2
6	LG1320	3A1896081	Pin, Clevis	4	4



ITEM	LONG No.	VENDOR No.	DESCRIPTION	QTY.	
				330HST	390HST
1	LG2458	A1896321	Bracket, C/Chain (R)	1	1
2	LG2459	A1896322	Bracket, C/Chain (L)	1	1
3-6	LG2461	A1896345	Check Chain Assembly (370-476)	2	2
3	LG3461	A1896346	Chain (F)	2	2
4	LG3462	A1896348	Turn Buckle	2	2
5	LG3463	A1896347	Chain (R)	2	2
6	LG2000	A1896349	Nut, Lock (M14x1.5) (LH)	2	2
7	LG1320	3A1896081	Pin, Clevis	2	2
8	LG2460	A1896333	Bracket, Spring	2	2
9	N630187S8	S361140013	Washer, Spring (14.2x24.5x3.5)	6	6
10	500327	S314140013	Nut, Hex (M14x1.25)	2	2
11	LG2453	A1896067	Spring, Lower Link	1	1
12	500179S8	S101143543	Bolt (M14x2.0x35L)	4	4

Notes

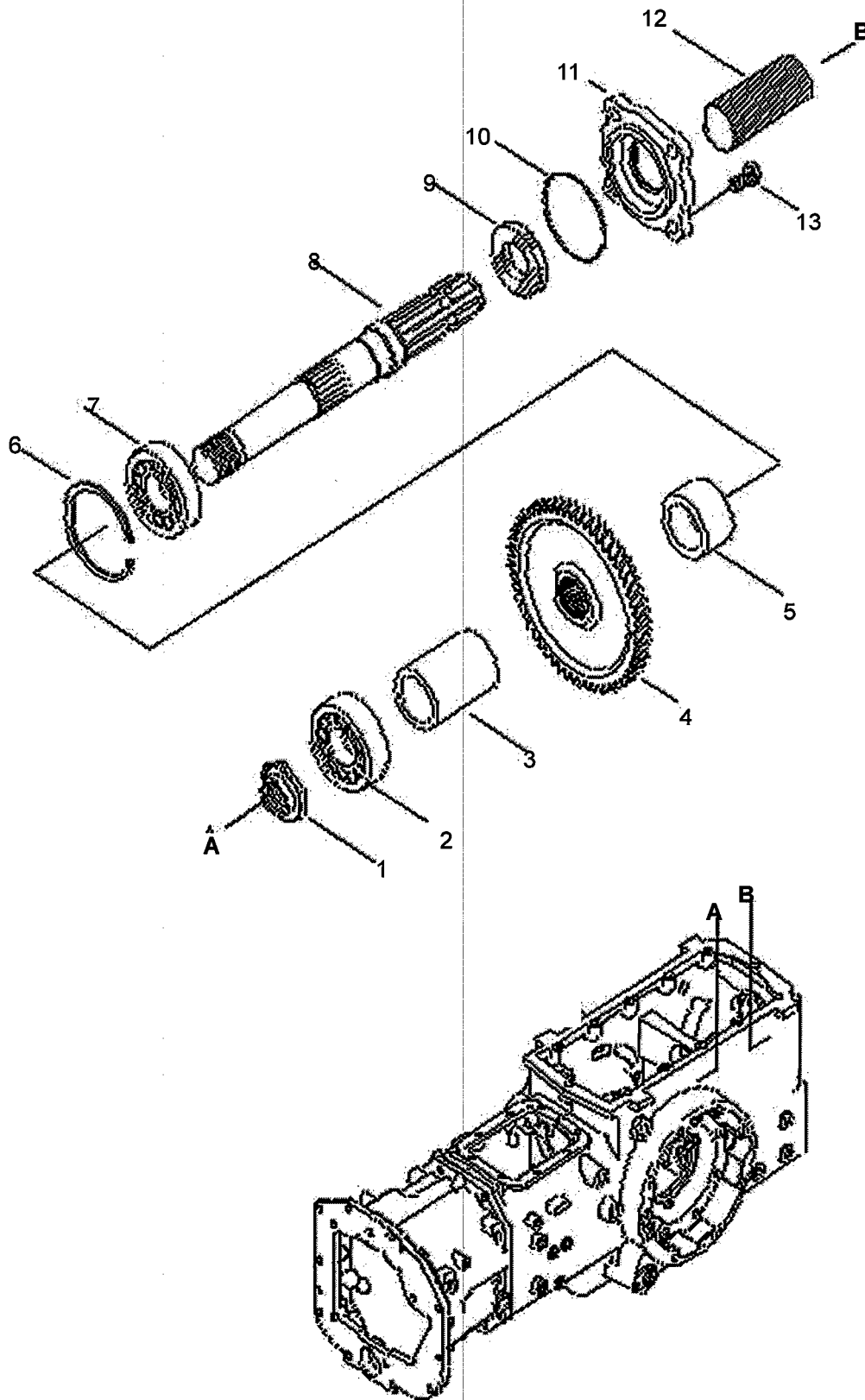
330 HST / 390 HST

SECTION 17

POWER TAKE-OFF

 **Long Agribusiness**

COMMON SENSE SOLUTIONS



330HST / 390HST

ITEM	LONG No.	VENDOR No.	DESCRIPTION	QTY.	
				330HST	390HST
1	LG1919	A1287179	Nut, Lock (M30x1.5)	1	1
2	LG1724	A0863060	Bearing, Ball (6306)	1	1
3	LG3513	A1287215	Spacer (33x42x87)	1	1
4	LG3514	A1287214	Gear, PTO 1ST Drn.	1	1
5	LG2112	A1281192	Spacer (33x50x44.5)	1	1
6	N660257S	S811072001	Ring, Snap (72x2.5)	1	1
7	LG1720	A0862070	Bearing, Ball (6207)	1	1
8	LG4057	A1287218	Shaft, PTO	1	1
9	LG3324	A1287211	Seal, Oil (40x62x11.5)	1	1
10	LG1301	S804070010	O-Ring (70x2.0)	1	1
11	LG3316	A1280115	Cover, PTO Shaft	1	1
12	LG1078	3A5102349	Cover, PTO	1	1
13	LG1863	S154102533	Bolt, Hex (M10x1.25x25)	4	4

Notes

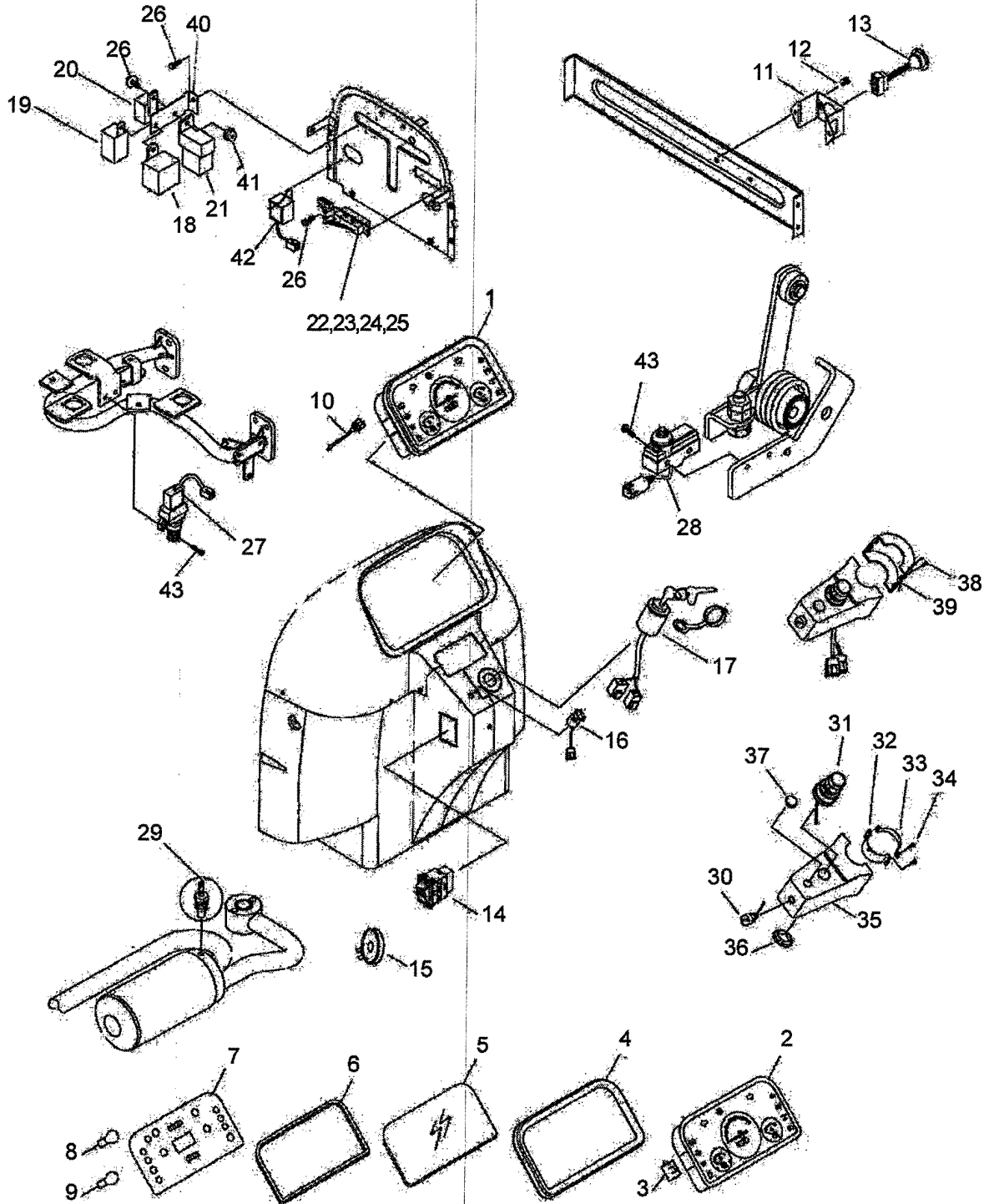
330 HST / 390 HST

SECTION 18

ELECTRICAL SYSTEM AND INSTRUMENTATION

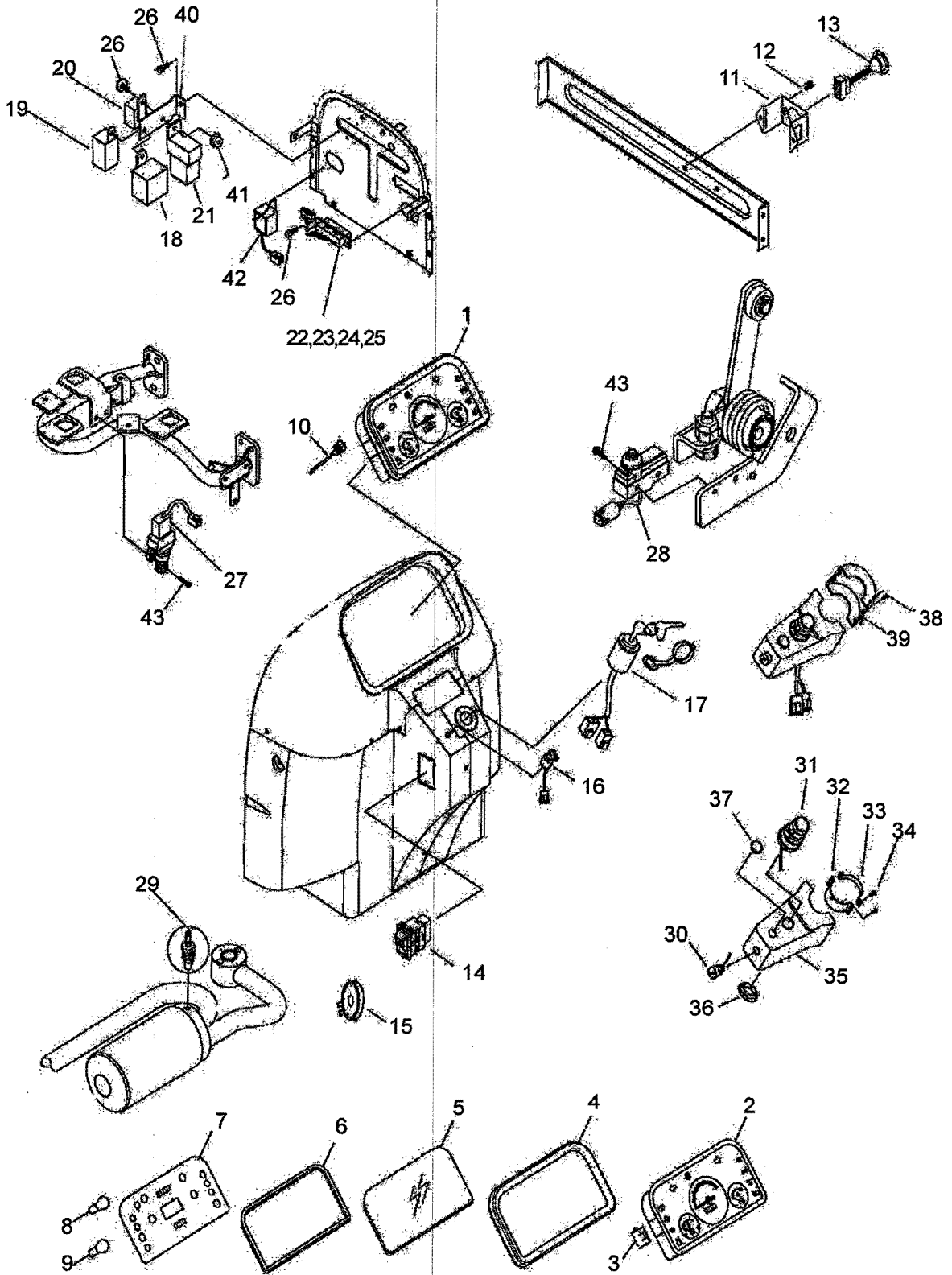
 **Long Agribusiness**

COMMON SENSE SOLUTIONS



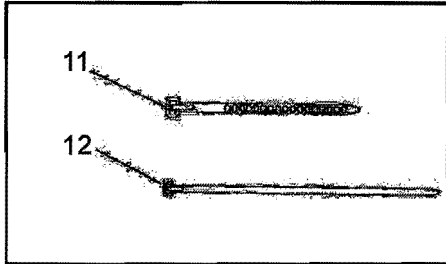
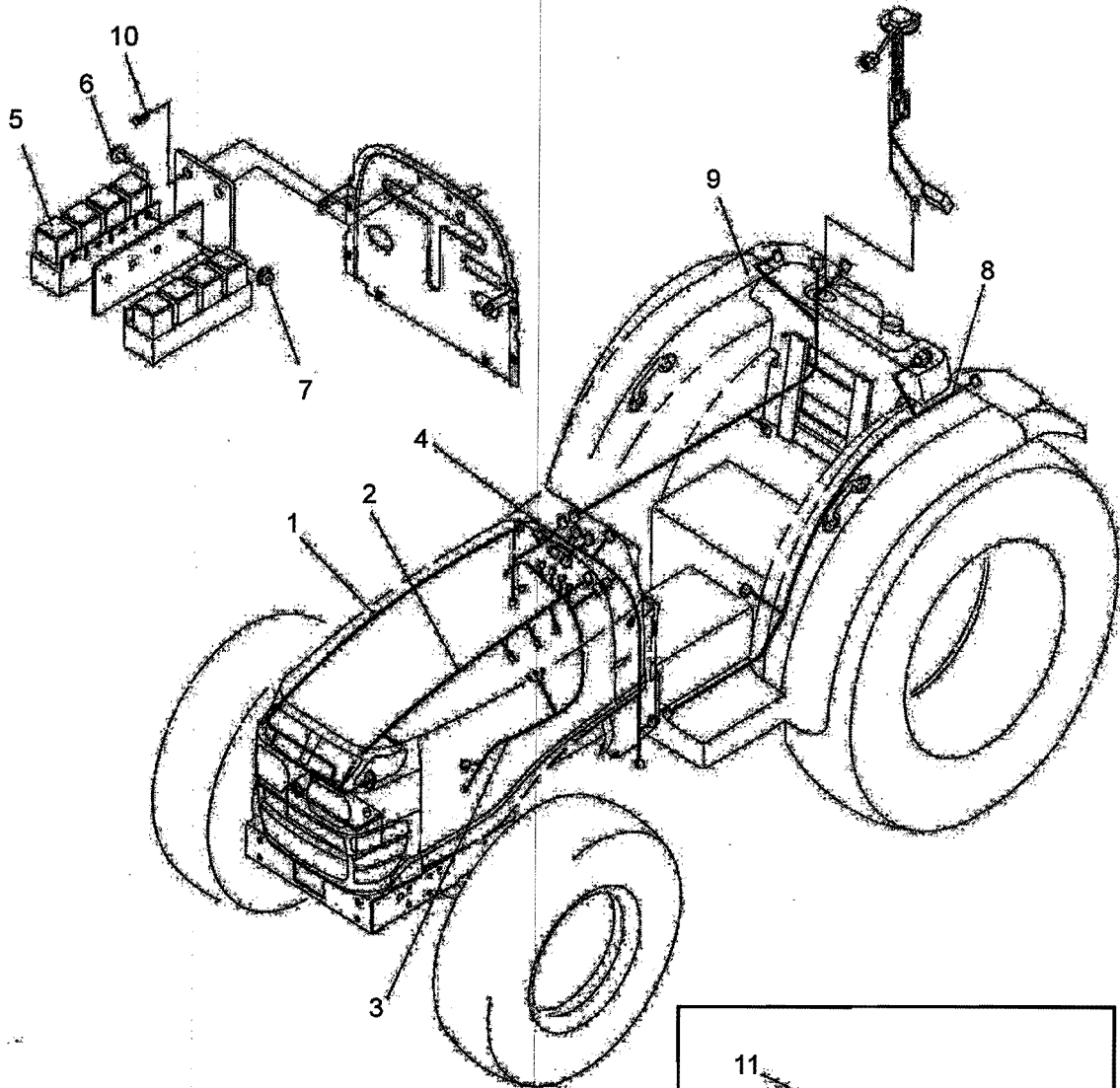
330HST / 390HST

ITEM	LONG No.	VENDOR No.	DESCRIPTION	QTY.	
				330HST	390HST
1	LG4461	A1750217	Instrument Panel Assembly	-	1
-	LG4375	A1750239	Instrument Panel Assembly	1	-
2	LG4097	A1750200	Meter Panel Assembly	-	1
-	LG4376	A1750240	Meter Panel Assembly	1	-
3	LG4098	A1750139	Bracket, Panel	2	2
4	LG4099	A1750127	Hood, Panel	1	1
5	LG4100	A1750128	Window Glass, Panel	1	1
6	LG4101	A1750137	Packing, Panel	1	1
7	LG4102	A1750193	PCB, Panel	1	1
8	LG3378	A1750140	Bulb (12v, 1.4W)	6	6
9	LG3379	A1750141	Bulb (12V, 3.4W)	6	6
10	LG2337	A1750166	Cable, Tachometer	-	1
-	LG4377	A1750222	Cable, Tachometer	1	-
11	LG4948	A1750267	Bracket, 7 Pole	1	1
12	LG3965	S155081633	Bolt, Hex (M8x1.25x16)	4	4
13	LG2339	A1750171	Connector, 7 Pole	1	1
14	LG3382	A1750161	Switch, Emergency	1	1
15	LG3954	A1730121	Horn Assembly	1	1
16	LG2335	A1750152	Switch, PTO Selector	1	1
17	LG1496	A5001132	Key Switch Assembly	1	1
18	LG1379	Q1800011	Glow Relay Assembly	1	1
19	LG4056	Q1800017	Timer, Glow	1	1
20	LG4378	Q1800018	Relay, Start	1	1
21	LG4462	A1750251	Flasher	1	1
22	LG4380	A1750225	Fuse Box Assembly	1	1
23	LG2043	A0721005	Fuse (10A)	6	6
24	LG2044	A0751006	Fuse (15A)	2	2
25	LG2045	A0751007	Fuse (20A)	3	3
26	LG1978	S159061633	Bolt, Hex W/Washer (M6x1.0x16)	6	5
27	LG4381	A1750209	Switch, Clutch	1	1
28	LG4382	A1750227	Switch, Neutral	1	1
29	LG3607	A1750175	Hydraulic, Sensor Assembly	1	1
30-37	LG4176	A1750177	Steering Column S/W Assembly	1	1
30	LG4177	A1750179	Switch, Horn	1	1
31	LG4178	A1750180	Switch, Combination	1	1
32	LG4179	A1750181	Clamp A	1	1
33	LG4180	A1750182	Clamp B	1	1
34	LG4181	S226401211	Screw (M4x0.7x12)	4	4
35	LG4885	A1750178	Cover, Combination S.W	1	1
36	LG4886	A1750187	Cap, Rubber	1	1



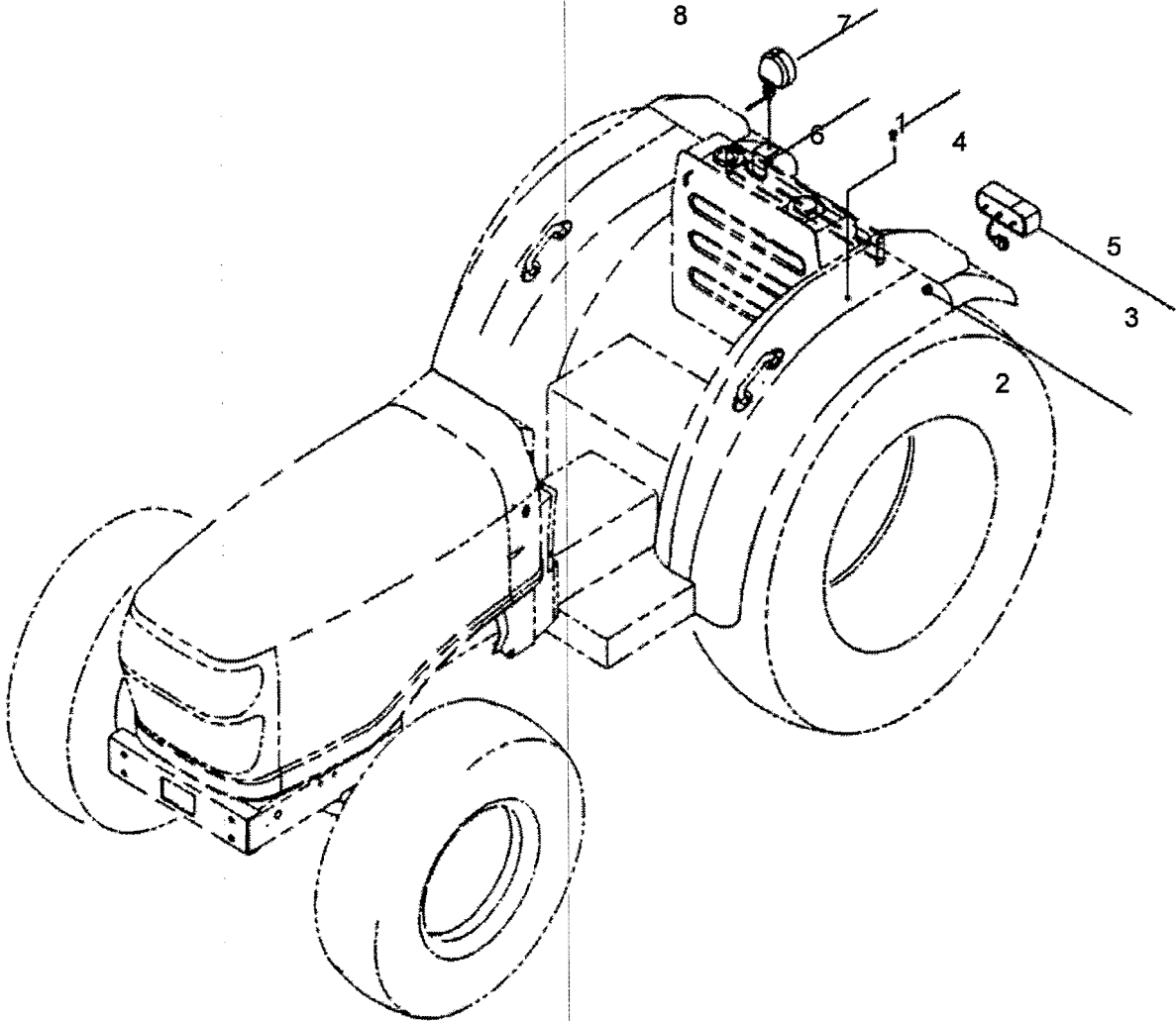
330HST / 390HST

<i>ITEM</i>	<i>LONG No.</i>	<i>VENDOR No.</i>	<i>DESCRIPTION</i>	<i>QTY.</i>	
				330HST	390HST
37	LG4887	A1750230	Cap, Rubber	1	1
38	LG4204	S224402511	Screw (M4X0.7X25)	2	2
39	LG2336	A1750153	Cover, Switch	1	1
40	LG4888	A1750226	Bracket, Relay	1	1
41	LG1982	S345060013	Nut, Flange B-TY	2	2
42	LG4383	A1750243	Timer, Engine Stop	1	*
43	LG4889	S227402511	Screw	4	4



330HST / 390HST

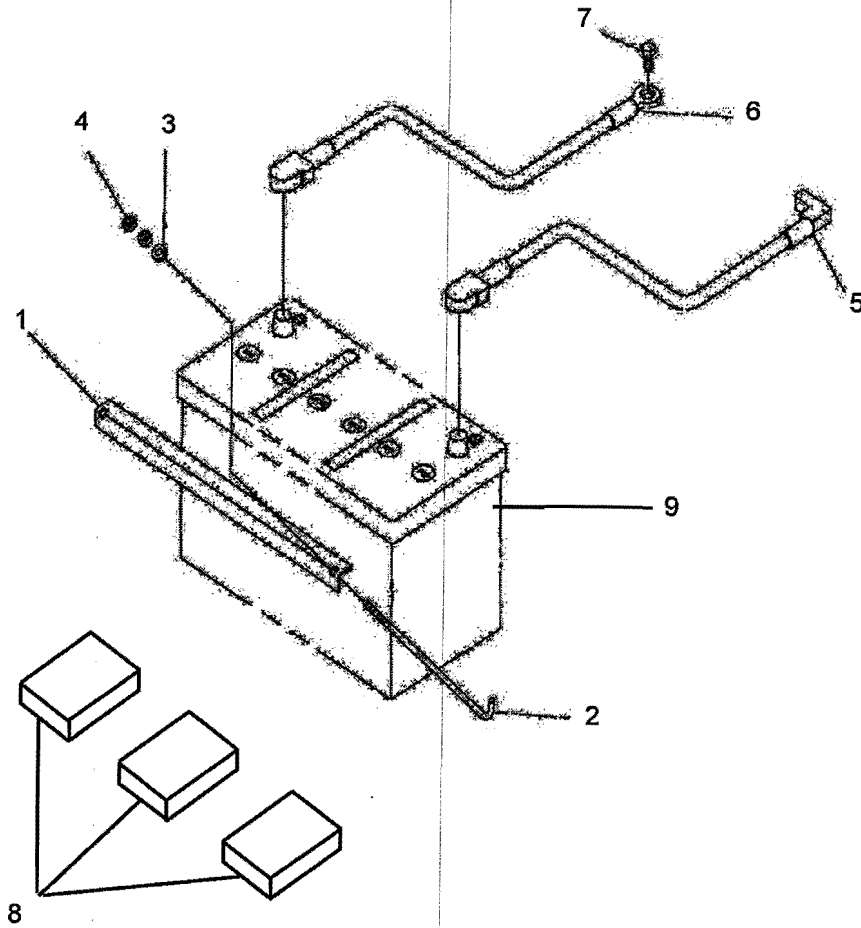
ITEM	LONG No.	VENDOR No.	DESCRIPTION	QTY.	
				330HST	390HST
1	LG4366	A1730152	Harness, Front Light	1	1
2	LG3373	A1730108	Harness, Front Sensor	-	1
3	LG3374	A1730111	Harness, Engine Unit	-	1
-	LG4367	A1730180	Harness, Engine Unit	1	-
4	LG4368	A1730181	Harness, Panel	1	1
5	LG4369	A1750242	Relay, Micro	8	8
6	LG4652	S157051633	Bolt, Hex W/Washer	4	4
7	LG4659	S309050013	Nut, Hex	4	4
8	LG4370	A1730183	Harness, Rear (LH)	1	1
9	LG4371	A1730182	Harness, Middle	1	1
10	LG4662	S159062033	Bolt, Hex W/Washer (M6x1.0x20)	3	3
11	LG2035	A0640028	Tie	14	14
12	LG3727	A0640009	Tie	15	15





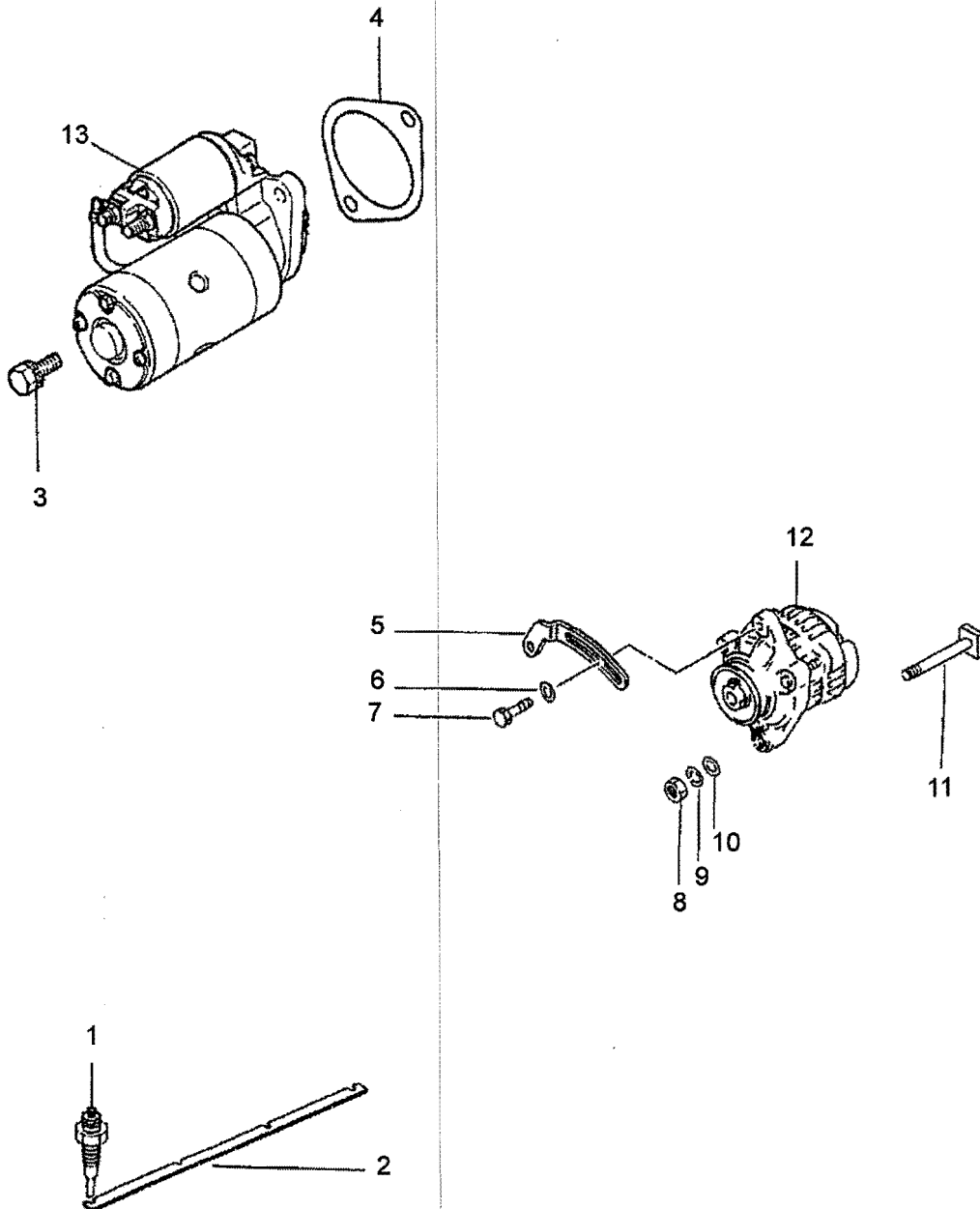
330HST / 390HST

ITEM	LONG No.	VENDOR No.	DESCRIPTION	QTY.	
				330HST	390HST
1	LG3385	A0610083	Plug	2	2
2	LG1981	S345050013	Nut, Flange B-TY (M5x1.0)	4	4
3	LG4384	A1860047	Combination Lamp Assembly	2	2
4	LG1006	A1760016	Bulb, Combination Lamp Assembly (12V, 21/5W)	2	2
5	LG1007	A1760017	Bulb, Combination Tail (12V,12W)	2	2
6	N620013S8	S313080013	Nut, Hex (M8x1.2)	3	3
7-8	LG3604	A1760037	Working, Assembly	1	1
7	LG4060	A1760043	Bulb, Work Lamp (12V/23W)	1	1



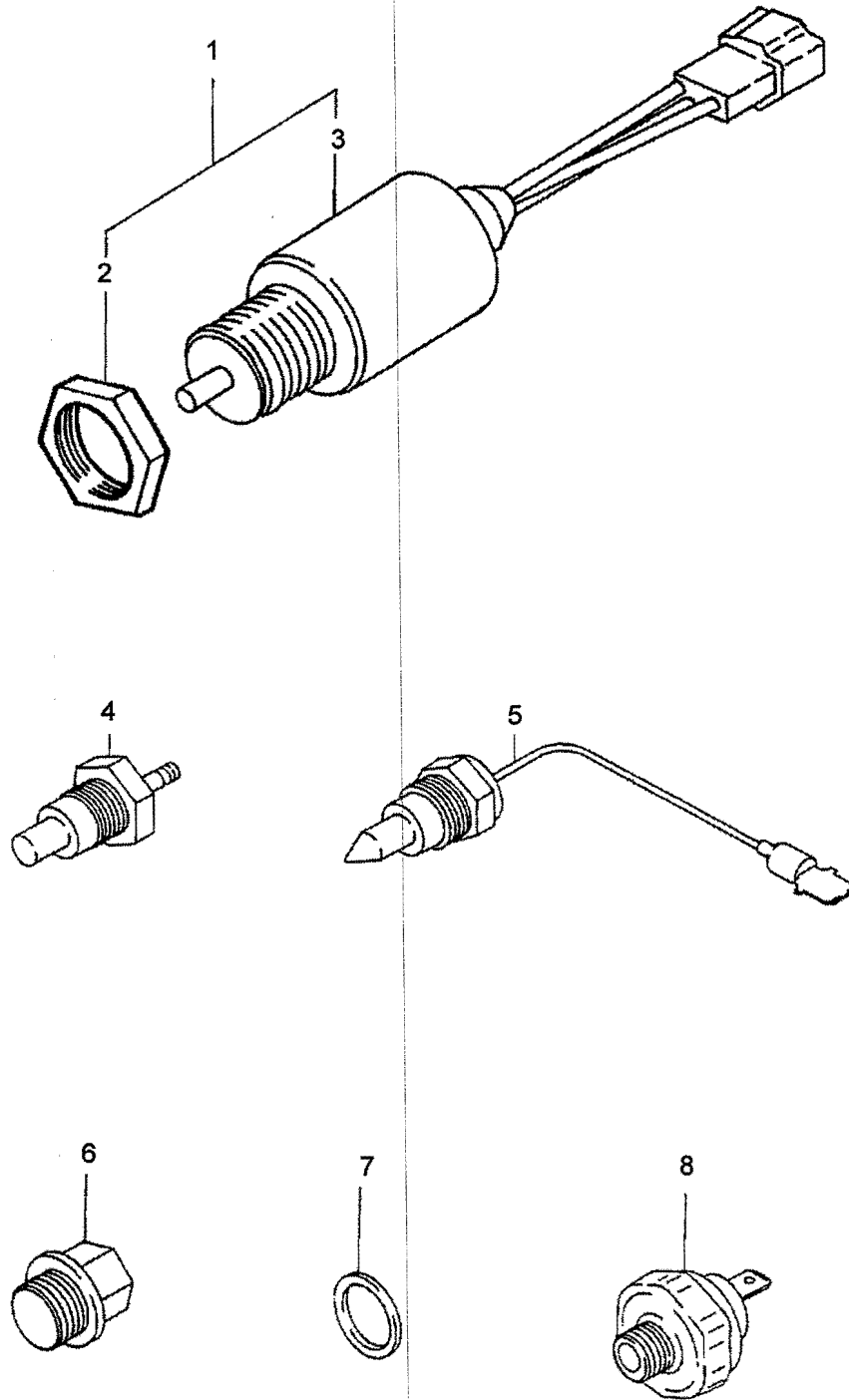
**330HST / 390HST**

<i>ITEM</i>	<i>LONG No.</i>	<i>VENDOR No.</i>	<i>DESCRIPTION</i>	<i>QTY.</i>	
				330HST	390HST
1	LG2321	A17400003	Clamp, Battery	1	1
2	LG2340	A1741021	Rod, Battery Clamp	2	2
3	N630067S8	S363060013	Washer, Plain	2	2
4	N620012S8	S305060013	Nut, Hex (M6x10)	4	4
5	LG2323	A1740020	Cable, Battery (+) Positive	1	1
6	LG2325	A1740021	Cable, Battery (-) Negative	1	1
7	LG1897	S155082033	Bolt, Hex W/Washer (M8x1.25x20)	1	1
8	900576		Rubber Pad	3	3
9	783183		Battery	1	1



330HST / 390HST

ITEM	LONG No.	VENDOR No.	DESCRIPTION	QTY.	
				330HST	390HST
1	LG1652	32A6603100	Plug, Glow	-	4
-	LG4493	E6301-65512	Plug, Glow	3	-
2	LG2781	31A6604101	Plate, Connection	-	1
-	LG4832	E5800-65562	Plate, Connection	1	-
3	LG2782	F180510025	Bolt w/Washer	-	2
-	LG4821	01133-51030	Bolt WWasher	1	-
4	LG2783	MM40941901	Starter Gasket	-	1
-	LG4477	E6200-04622	Starter Gasket	1	-
5	LG2784	31A6802100	Adjusting Plate	-	1
-	LG4862	E6313-64421	Adjusting Plate	1	-
6	LG2785	MD001521	Washer	-	1
-	LG4861	04015-50080	Washer	1	-
7	LG2786	MF140026	Bolt, Flange	-	1
-	LG4860	01123-50830	Bolt, Flange	1	-
8	LG2787	MF430006	Nut	-	1
-	LG4755	02176-50100	Nut	1	-
9	LG2788	MF450406	Spring Washer	-	1
-	LG4576	04512-50100	Spring Washer	1	-
10	LG2789	MF450006	Plain Washer	-	1
-	LG4757	04012-50100	Plain Washer	1	-
11	LG2790	31A6820300	Bolt, Alternator	-	1
-	LG4859	01173-5100	Alternator Bolt	1	-
12	LG2791	31A6800402	Alternator Assembly	-	1
-	LG4482	E6213-64011	Alternator Assembly	1	-
13	LG4173	31A66-00101	Starter Assy.	-	1
-	LG4820	E5500-63014	Starter Assembly	1	-



330HST / 390HST

ITEM	LONG No.	VENDOR No.	DESCRIPTION	QTY.	
				330HST	390HST
1	LG2816	30A8710040	Injection Pump Solenoid & Nut Set	-	1
-	LG4474	E5753-60013	Injection Pump Solenoid	1	-
2	LG2817	MM409671	Nut	-	1
3	LG2818	30A8720400	Injection Pump Solenoid	-	1
4	LG2819	MM43513302	Water Temperature Unit	-	1
-	LG4706	E6300-32831	Water Temperature Unit	1	-
5	LG2820	30L4602700	Thermoswitch	-	1
6	LG2827	MM316248	Drain Plug	-	1
-	LG4689	15221-3375-2	Drain Plug	1	-
7	LG1581	3063625901	Gasket	-	1
-	LG4690	04717-01200	Gasket	1	-
8	LG2821	31A9000300	Oil Switch Assembly	-	1
-	LG4472	E5500-39013	Oil Switch Assembly	1	-

Notes

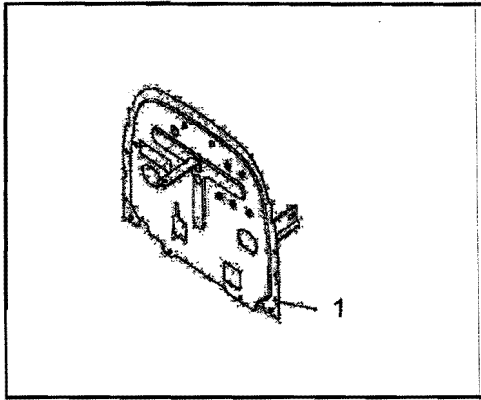
330 HST / 390 HST

SECTION 19

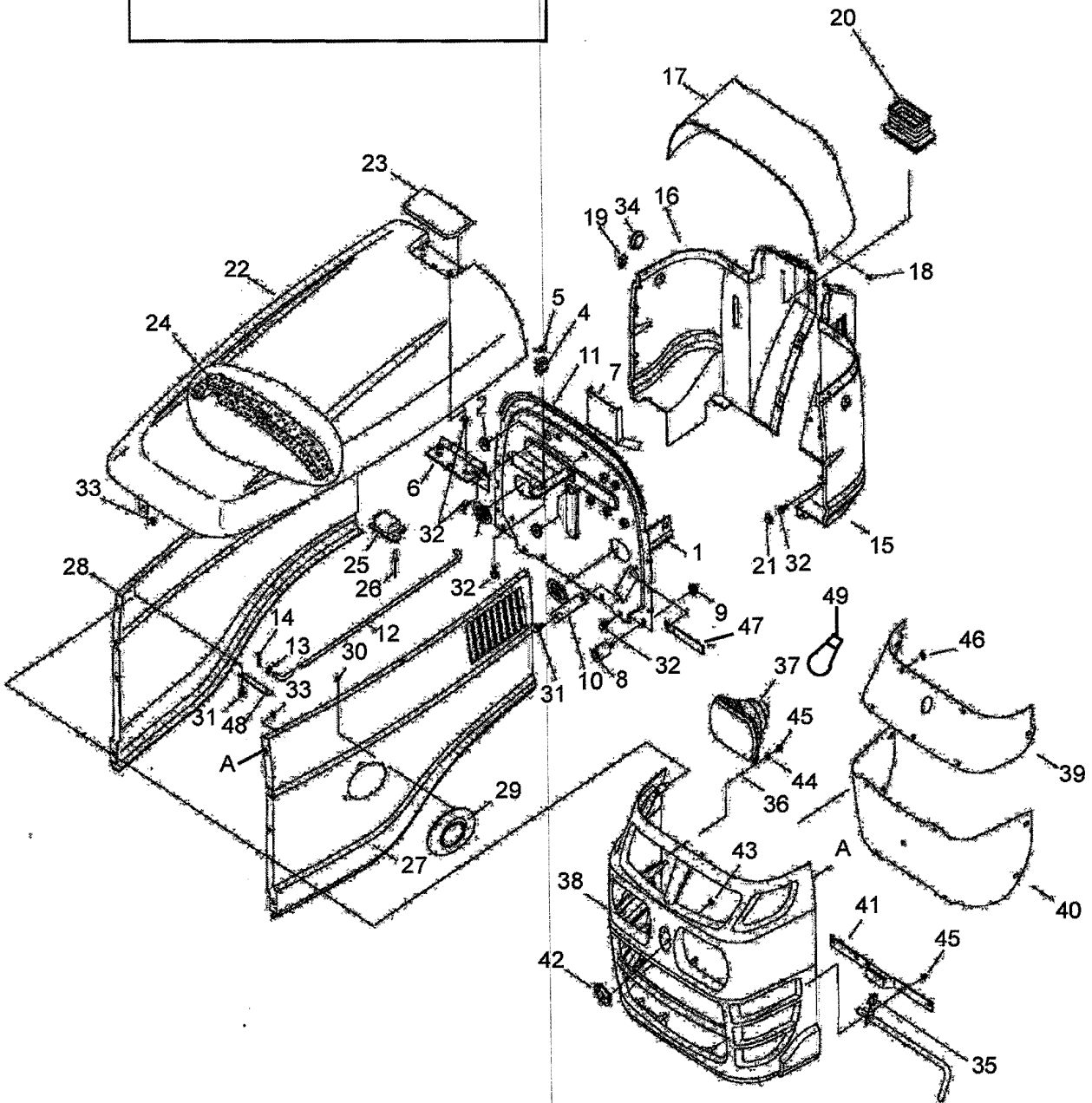
SHEET METAL

 **Long Agribusiness**

COMMON SENSE SOLUTIONS



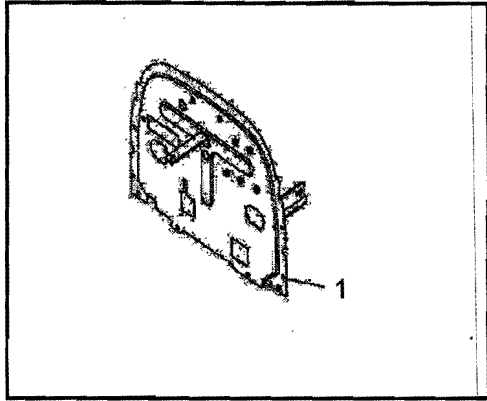
330 HST



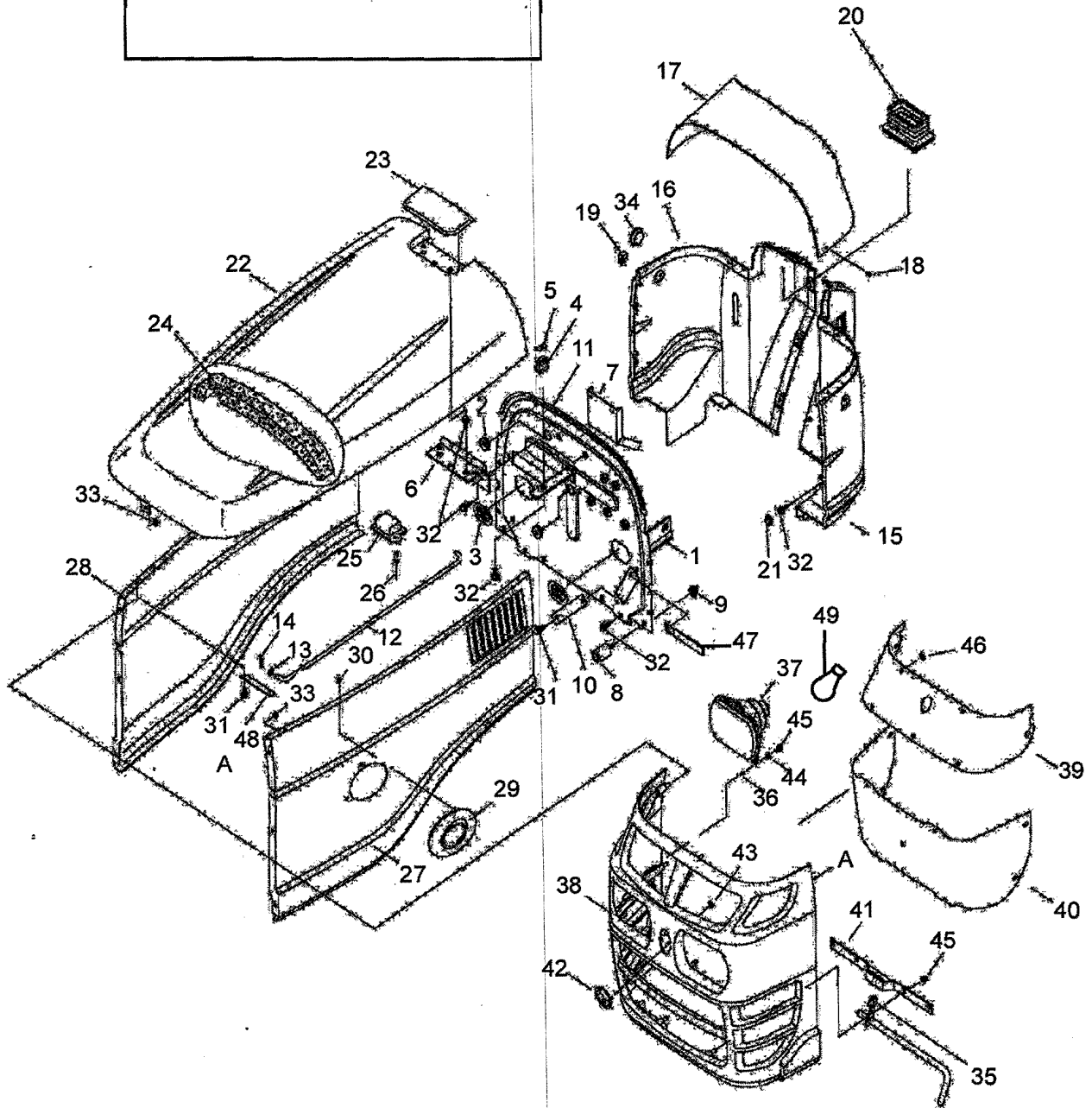
Hood

330HST / 390HST

ITEM	LONG No.	VENDOR No.	DESCRIPTION	QTY.	
				330HST	390HST
1	LG3412	A1830306	Plate, Heat Intercept	-	1
-	LG4415	A1830451	Plate, Heat Intercept	1	-
2	LG3958	A0720034	Grommet	2	2
3	LG1159	A1970210	Grommet	2	2
4	LG2041	A0690218	Spring	1	1
5	LG2481	A7200107	Bracket, Spring	1	1
6	LG2414	A1830258	Hinge	1	1
7	LG4416	A1830484	Bracket, Hinge	1	1
8	LG2419	A1830288	Stopper, Rubber	2	2
9	LG1890	S345080013	Nut, Flange B-TY (M8x1.25)	2	2
10	LG3413	A1830307	Cover	-	1
11	LG3422	A1970269	Weather Strip	1	1
12	LG2417	A1830284	Rod, Upper Cover	1	1
13	N630068S8	S363080013	Washer, Plain Standard (8.4x15.5x1.6)	1	1
14	LG1984	S443080013	Pin, Snap A-TY (8x27.7)	1	1
15	LG4417	A1830440	Panel, Body (LH)	1	1
16	LG4418	A1830441	Panel, Body (RH)	1	1
17	LG2402	A1830220	Panel, Body (Upper)	1	1
18	LG4895	A1830417	Screw, TP, CRS, CSNK	9	9
19	LG2473	A1970279	Plate. Lock	7	7
20	LG2411	A1830252	Cover, Steering	1	1
21	LG1975	A1830283	Cap, Bolt	4	4
22	LG4952	A1830513	Hood, Bonnet	1	1
23	LG2413	A1830257	Cover, Hinge	1	1
24	LG2420	A1830289	Seal, Radiator Air	1	1
25	LG2418	A1830286	Stopper, H/Support	1	1
26	LG1985	S466321010	Rivet, Blind (3.2x10)	2	2
27	LG4953	A1830518	Cover, Side (LH)	1	1
28	LG4954	A1830519	Cover, Side (RH)	1	1
29	LG2421	A1830292	Cover, Exhaust	1	1
30	LG1981	S345050013	Nut, Flange B-TY (M5x0.8)	3	3
31	LG1978	S159061633	Bolt, Hex W/Washer (M6x1.0x16)	6	8
32	LG1979	S159082033	Bolt, Hex W/Washer (M8x1.25x20)	11	11
33	LG1982	S345060013	Nut, Flange B-TY (M6-1.0)	7	7
34	LG4107	A1970303	Cap, Rubber	2	2
35	LG3959	A1970304	Band, Rubber	1	1
36-45	LG4421	A1830448	Grille Assembly - 40124337	1	1
36	LG3743	A1760003	Spring	6	6
37	LG4422	A1760044	Head Lamp Assembly	2	2
38	LG4955	A1830524	Grille	1	1



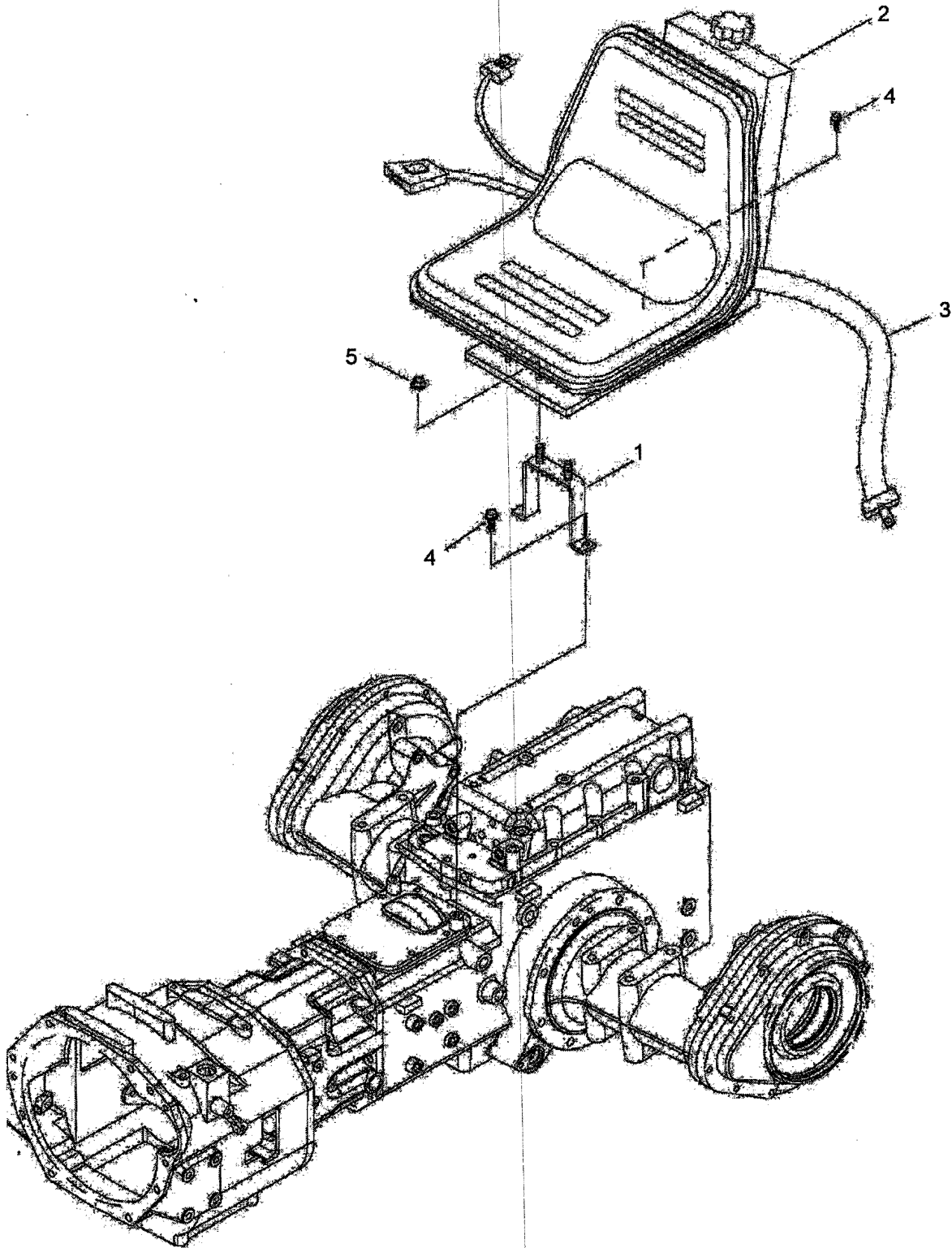
330 HST



Hood

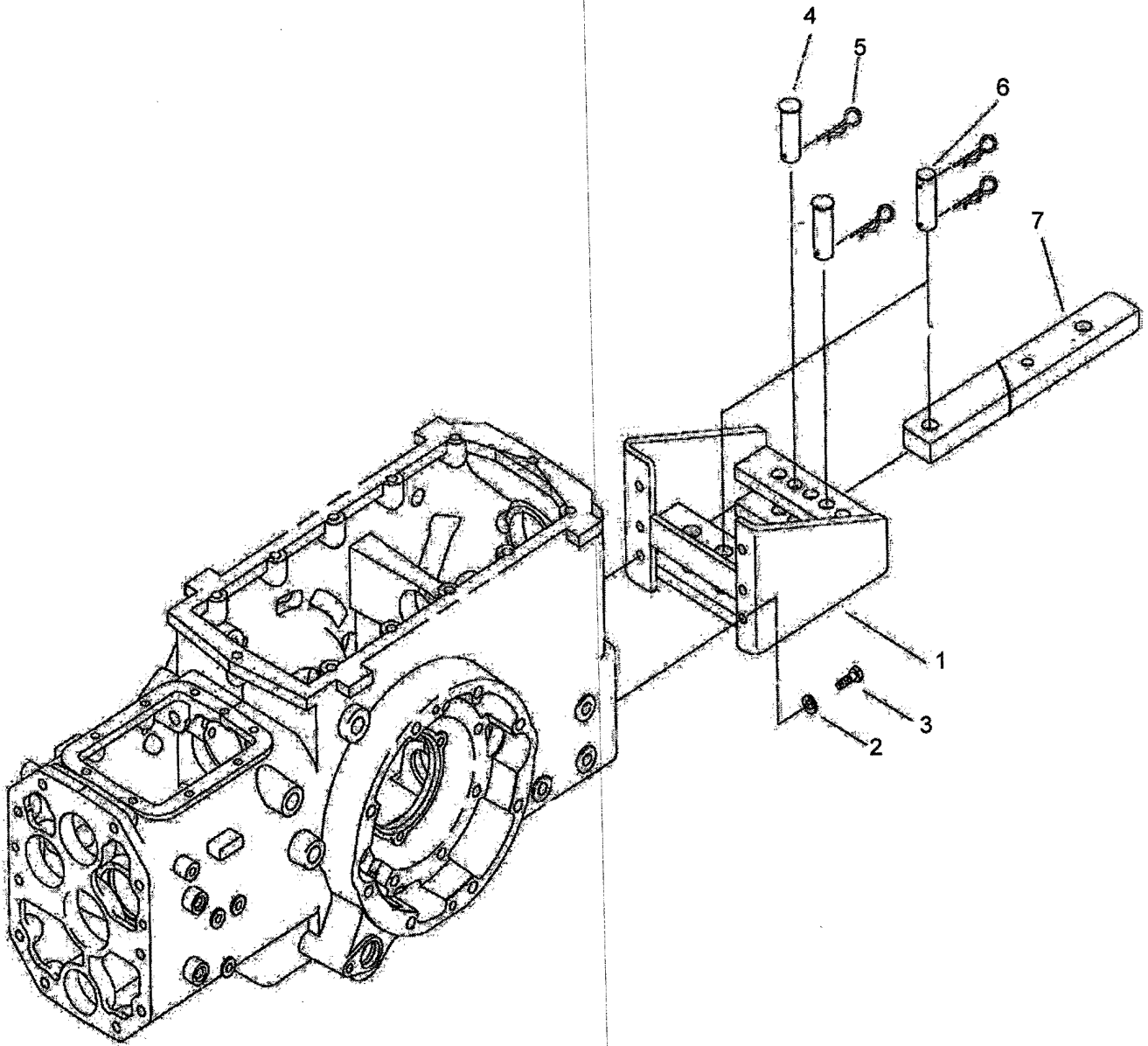
330HST / 390HST

<i>ITEM</i>	<i>LONG No.</i>	<i>VENDOR No.</i>	<i>DESCRIPTION</i>	<i>QTY.</i>	
				330HST	390HST
39	LG1982	S345060013	Net, Grill (Upper)	1	1
40	LG4424	A1830408	Net, Grill (Lower)	1	1
41	LG4425	A1830421	Hanger	1	1
42	LG4426	A5002129	Mark, Symbol	1	1
43	LG1976	A0760137	Nut, Speed	2	2
44	LG3804	S364060013	Washer, Plain (12.5x6.4x1.6)	6	6
45	LG4878	A1970309	Nut, Lock (M6x1.0)	10	10
46	LG4897	A1970340	Nut, Speed	16	16
47	LG4878	A0640103	Clamp Ring	1	1
48	LG4898	A0640015	Clamp Ring	3	3
49	LG4640	A1760048	Head Light Bulb	2	2



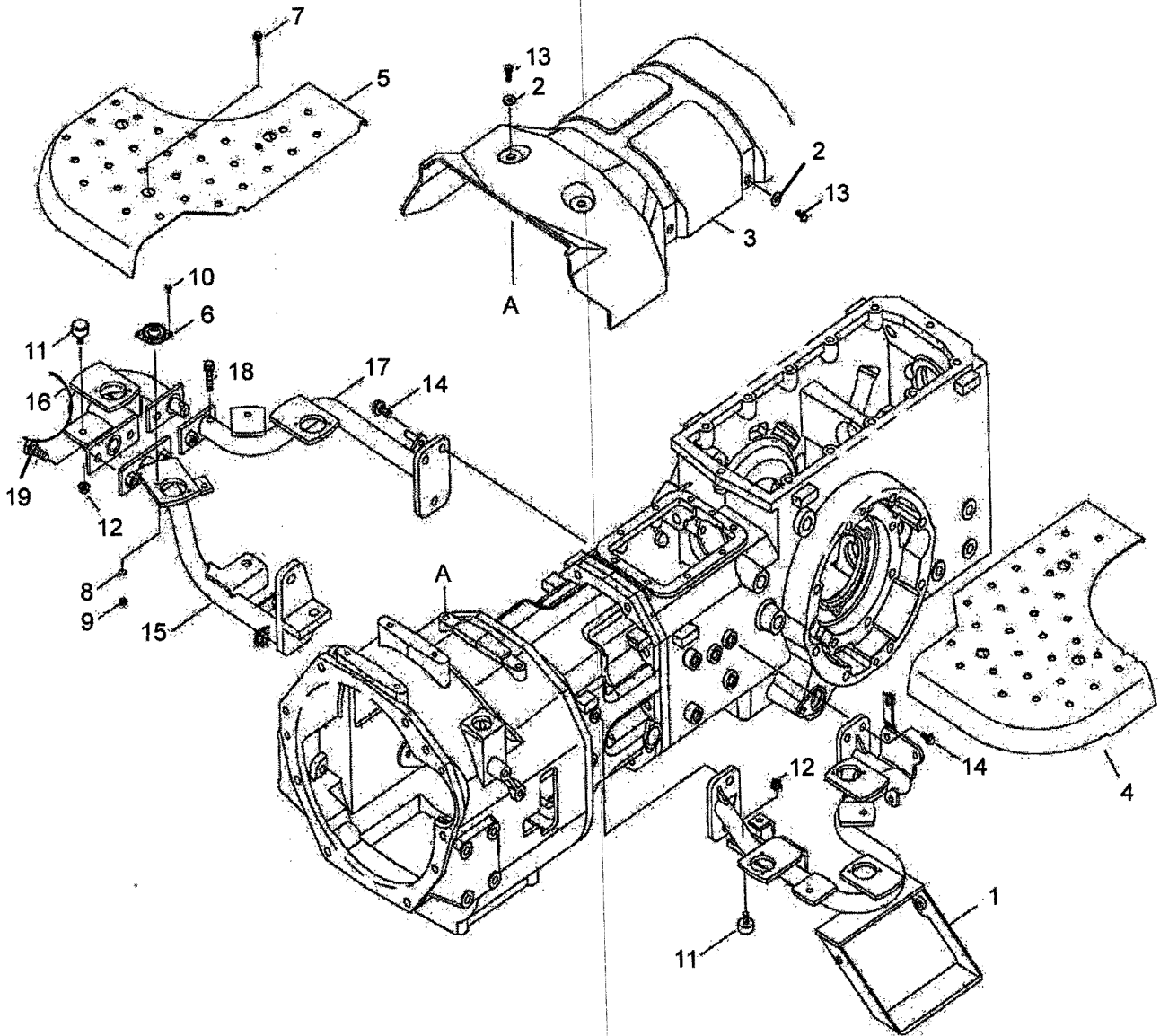
330HST / 390HST

<i>ITEM</i>	<i>LONG No.</i>	<i>VENDOR No.</i>	<i>DESCRIPTION</i>	<i>QTY.</i>	
				330HST	390HST
1	LG2437	A1850078	Bracket, Seat	1	1
2-3	LG4433	A1850223	Seat Assembly, w/Belt & S/W	1	1
2	LG3429	A1850093	Seat Assembly	1	1
3	LG3430	A1850094	Seat Belt Assembly	1	1
4	LG1916	S156102533	Bolt, Hex W/Washer (M10x1.25x25)	4	4
5	LG1983	S346100013	Nut, Flange B-TY (M10x1.25)	2	2

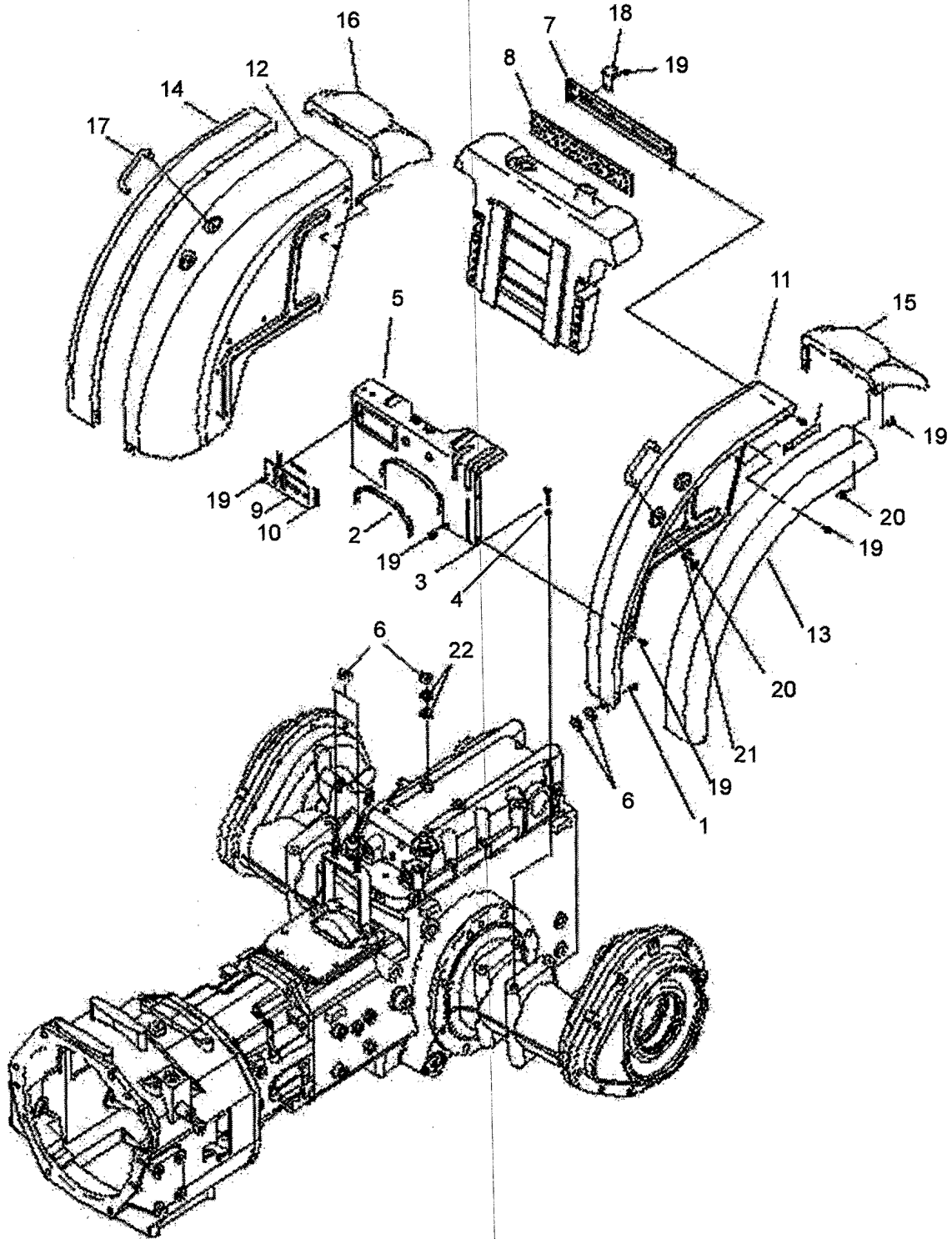


330HST / 390HST

<i>ITEM</i>	<i>LONG No.</i>	<i>VENDOR No.</i>	<i>DESCRIPTION</i>	<i>QTY.</i>	
				330HST	390HST
1	LG3442	A1891026	Support, Hitch	1	1
2	N630187S8	S361140013	Washer, Spring (14.2x24.5x3.5)	6	6
3	LG3507	S101144043	Bolt, Hex (M14x2x40)	6	6
4	LG1990	A1891030	Pin, Clevis (25x72)	2	2
5	LG1991	3A1970091	Pin, Hair (28)	4	4
6	LG1992	A1891029	Pin (25x72)	1	1
7	LG3443	A1891027	Drawbar (ASAE)	1	1

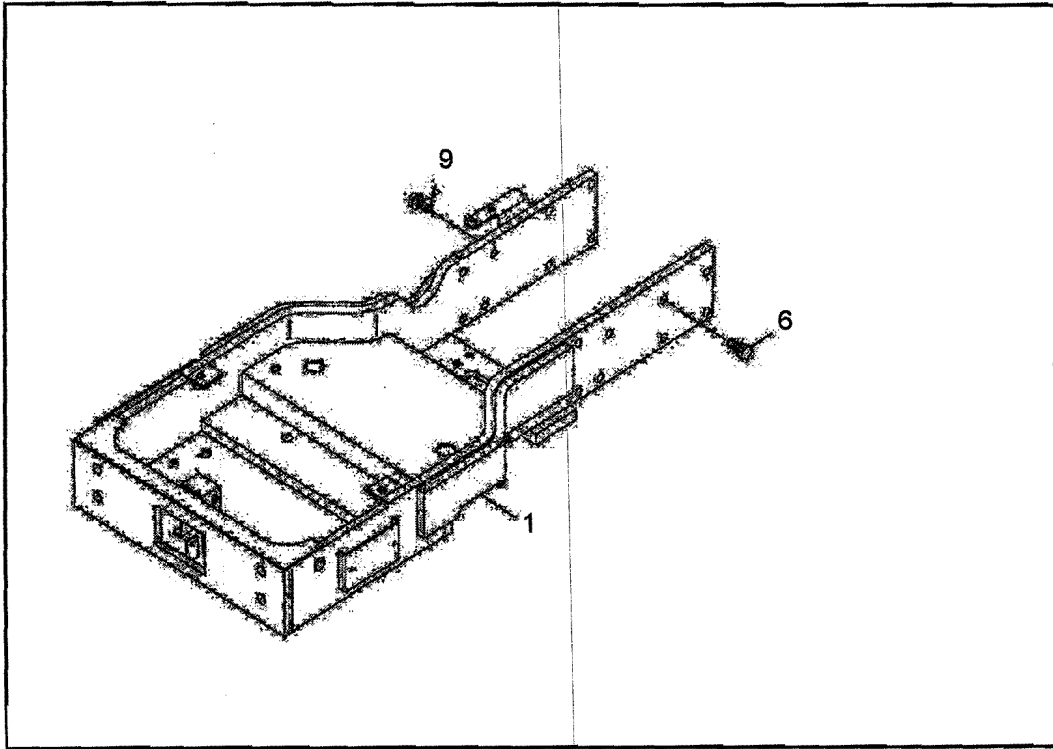


ITEM	LONG No.	VENDOR No.	DESCRIPTION	QTY.	
				330HST	390HST
1	LG4427	A1840159	Support, Step (LH)	1	1
2	LG4899	S365102613	Washer, Plain (10.5x26x2)	6	6
3	LG4956	A1840218	Cover, HST Housing	1	1
4	LG4957	A1840219	Step, LH	1	1
5	LG4958	A1840220	Step, RH	1	1
6	LG4432	A1970367	Mount, Silent (LORD 150DP-10)	6	6
7	LG4900	S159063033	Bolt, Hex W/Washer (M6x1.0x30)	6	6
8	LG4901	S365062213	Washer, Plain (6.4x22x2.0)	6	6
9	LG4902	S301060013	Nut, Hex 2-TY (M6x1.0)	6	6
10	LG4903	S227401611	Screw, W/Spacer & Plain Washer (M4x0.7)	12	12
11	LG2478	A3260012	Rubber	8	8
12	LG1890	S345080013	Nut, Flange (M8x1.25)	8	8
13	LG1862	S154102033	Bolt, Hex W/Washer (M10x1.25x20)	6	6
14	LG1863	S154102533	Bolt, Hex W/Washer (M10x1..25)	10	10
15-19	LG4904	A1840182	Support Step (RH)	1	1
15	LG4905	A1840183	Pipe 1, Step Support	1	1
16	LG4906	A1840184	Pipe 2, Step Support	1	1
17	LG4907	A1840185	Pipe 3, Step Support	1	1
18	LG4908	S153083543	Bolt, Hex (M8x1.25x35)	1	1
19	LG1864	S154103033	Bolt, Hex (M10-1.25x30)	3	3

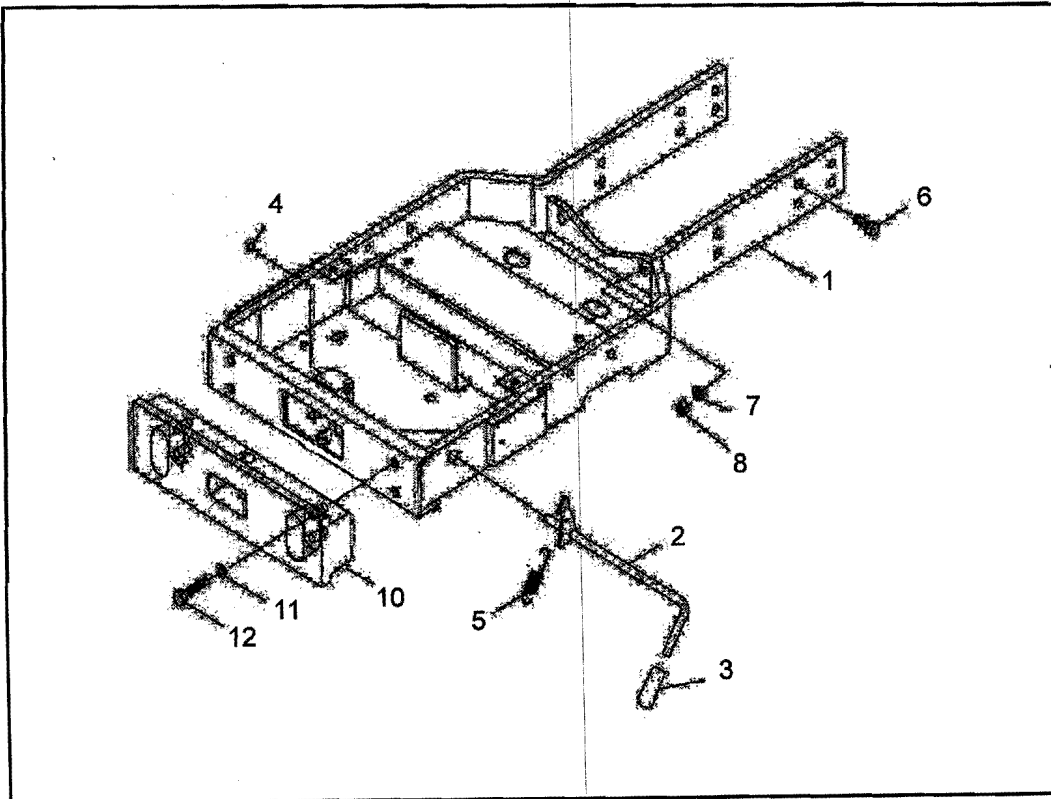


330HST / 390HST

ITEM	LONG No.	VENDOR No.	DESCRIPTION	QTY.	
				330HST	390HST
1	LG1896	S159082533	Bolt, Hex (M8x1.25x25)	2	2
2	LG4435	A1970368	Sponge, Cover	1	1
3	LG1937	S101144043	Bolt, Hex (M14x2.0x40))	4	4
4	LG4898	A0640015	Clamp Ring	2	2
5	LG4959	A1870381	Cover, Center	1	1
6	LG4909	A1840074	Rubber, Cushion	8	8
7	LG4960	A1870374	Cover, Rear	1	1
8	LG2450	A1870233	Sponge	1	1
9	LG4961	A1870376	Cover Assembly	1	1
10	LG2451	A1870234	Sponge	4	4
11	LG4962	A1870371	Fender, LH	1	1
12	LG4963	A1870372	Fender, RH	1	1
13	LG3431	A1870211	Extention, Fender (L)	1	1
14	LG3432	A1870212	Extention, Fender (R)	1	1
15	LG3433	A1870213	Extention, Rear (LH)	1	1
16	LG3434	A1870214	Extention, Rear (RH)	1	1
17	LG2022	3A1870006	Rail, Hand	2	2
18	LG4964	A1870375	Bracket, Light	1	1
19	LG1979	S159082033	Bolt, Hex W/Washer (M8x1.25)	39	39
20	LG1890	S345080013	Nut, Flange B-TY (M8x1.25)	6	6
21	LG1989	S365082613	Washer, Plain L-RD (8.4x26x2.5)	4	4
22	LG1896	S365103213	Washer, Plain, L-RD (10.5x32x3.0)	4	4



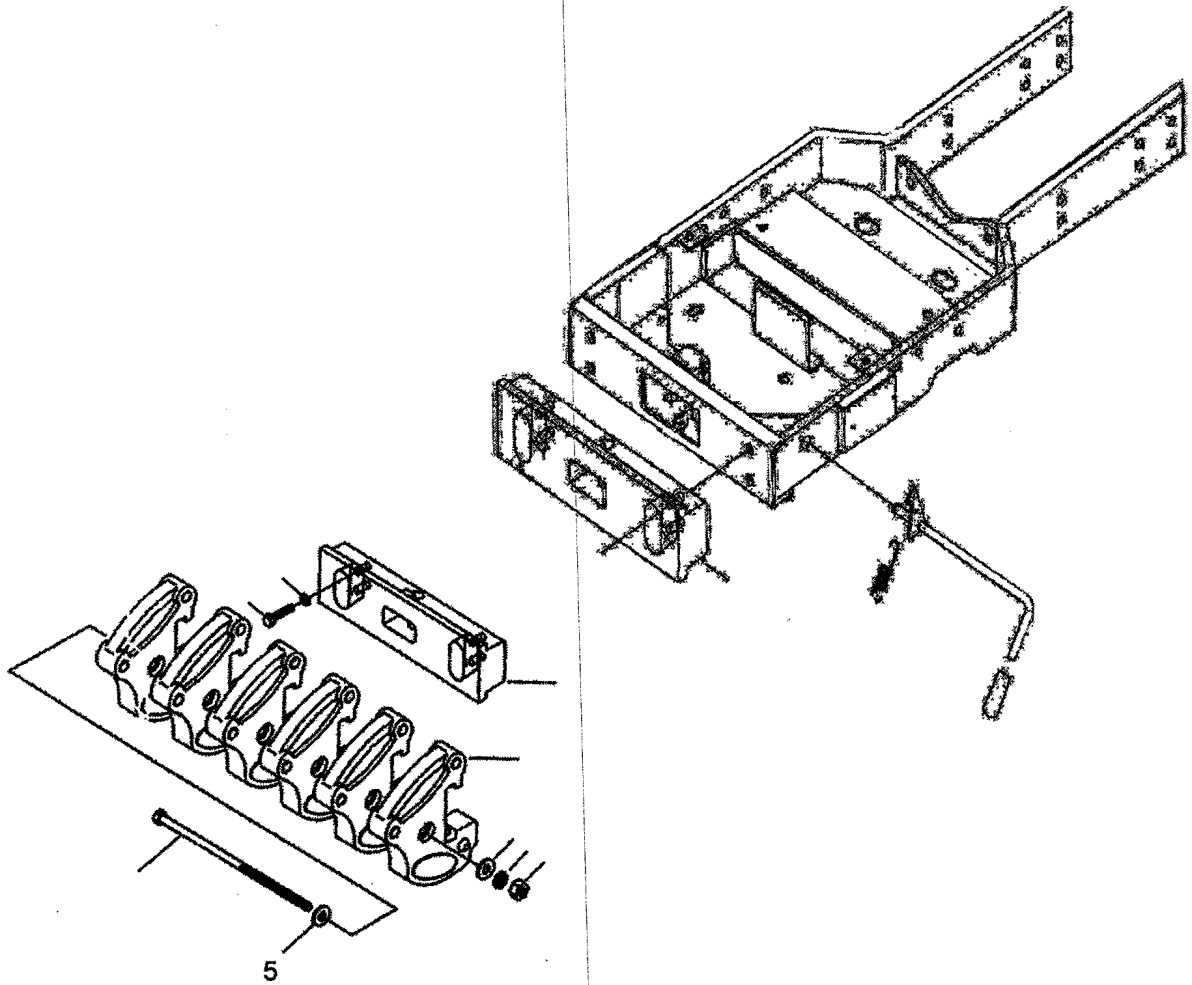
330 HST



390 HST

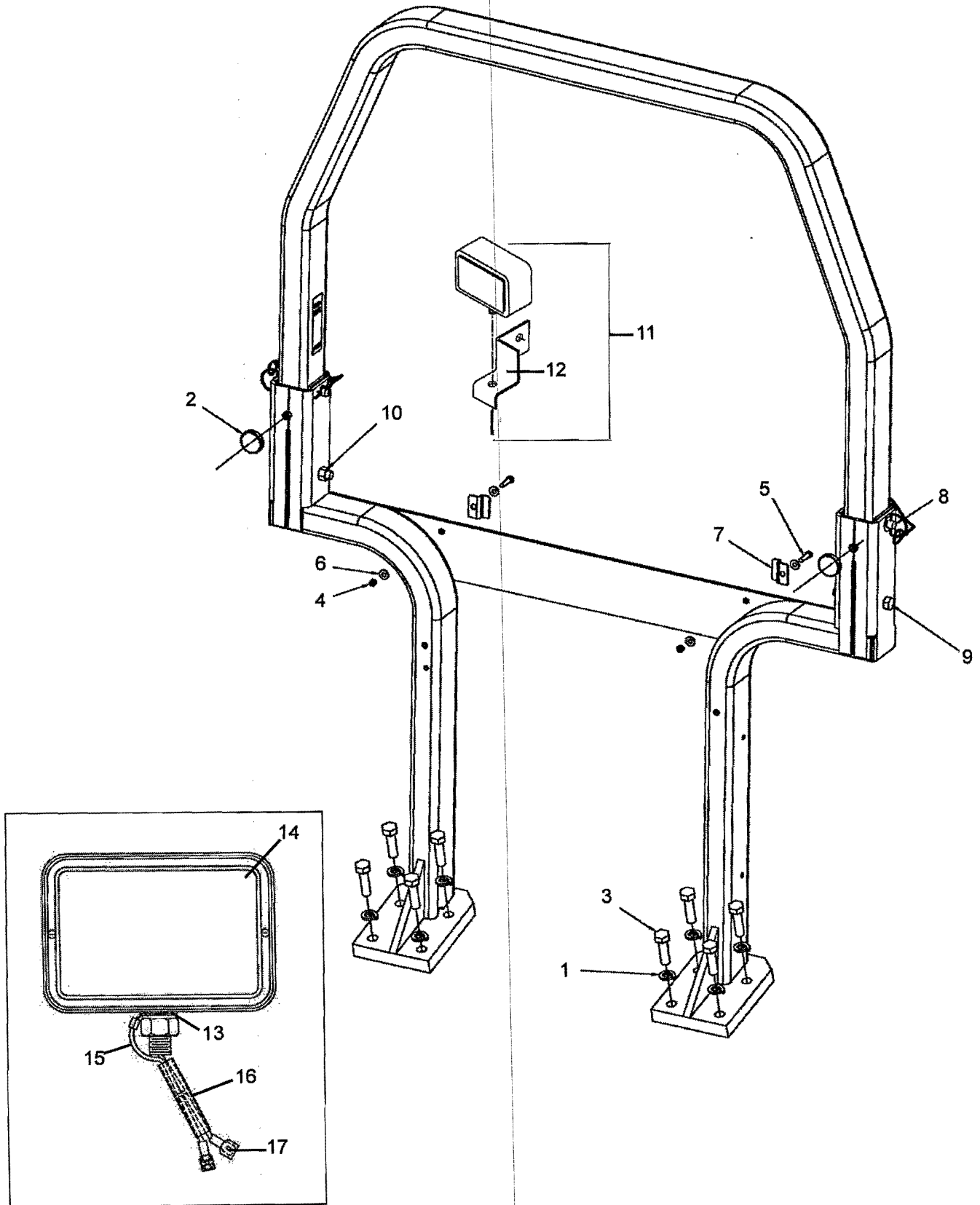
330HST / 390HST

ITEM	LONG No.	VENDOR No.	DESCRIPTION	QTY.	
				330HST	390HST
1	LG4227	A1210108	Frame, Engine	-	1
-	LG4228	A1210103	Frame, Engine	1	-
2	LG4207	A1830229	Hook, Grill	1	1
3	LG2042	A0710037	Grip	1	1
4	LG1902	S810120001	Ring, Snap (12x1.0)	1	1
5	LG2410	A1830248	Spring	1	1
6	LG1900	S154123533	Bolt, Hex (M12x1.25x35)	15	12
7	N630175S8	S361120013	Washer, Spring (M12x21.5x3.0)	-	2
8	500197	S314120013	Nut, Hex (M12x1.25)	-	2
9	LG1863	S154102533	Bolt, Hex (M10x1.25x25)	1	-
10	LG2090	A1215012	Bumper	1	1
11	N630187S8	S361140013	Washer, Spring (14.2x24.5x3.5)	4	4
12	LG1901	S103149043	Bolt, Hex (M14x1.5x90)	-	4
13	LG4941	5104141043	Bolt, Hex (M14x1.5x100)	4	-



330HST / 390HST

<i>ITEM</i>	<i>LONG No.</i>	<i>VENDOR No.</i>	<i>DESCRIPTION</i>	<i>QTY.</i>	
				330HST	390HST
1	N630187-S8		Washer, Lock	1	1
2	LG1901	S103149043	Bolt, Hex (M14-1.5x90)	4	4
3	LG2090	A1215012	Bumper	1	1
4	LG4088	A1215015	Front Weight, Tractor	6	6
5	LG4090	3A0010847	Washer, Flat	2	2
6	N630176-S8		Washer, Lock (16mm)	1	1
7	500394		Nut, Reg (16mm-1.5)	1	1
8	LG4089	A1215007	Bolt, Hex (M16x1.5x355)	1	1



ROLLOVER PROTECTION STRUCTURE

330HST / 390HST

ITEM	LONG No.	VENDOR No.	DESCRIPTION	QTY.	
				330HST	390HST
1	34811-S8		Washer, Lock (5/8)	8	8
2	902479		Knob 3050 D	2	2
3	500178-S8		Bolt (M14-2.00x50)	8	8
4	55734-S8		Nut, Hex FL (1/4-20)	2	2
5	304680-S8		Bolt, Hex Head (1/4-20x1)	2	2
6	44728-S8		Washer, Flat (M3/8)	2	2
7	902481		Bracket, Fuel Tank	2	2
8	902480		Pin, Clevis (M1/2-3.5)	2	2
9	304951-S8		Bolt, Hex Head (M1/2-13x3 3/4)	2	2
10	55828-S8		Nut, Lock, Prevailing Torque (1/2-13)	2	2
11	905672		Light Assembly W/Bracket	2	2
12	905665		Bracket, Flashing Light	2	2
13	34909-S8		Washer, Star Lock	2	2
14	905669		Flasher Light	2	2
-	799903		Lens, Amber	4	4
-	799904		O-Ring	4	4
15	902224		Wire Assembly (16 Gauge, Black)	2	2
16	64000000		Loom, Split (M1/4)	2	2
17	789920		Male Spade Terminal (M1/4)	2	2

Notes

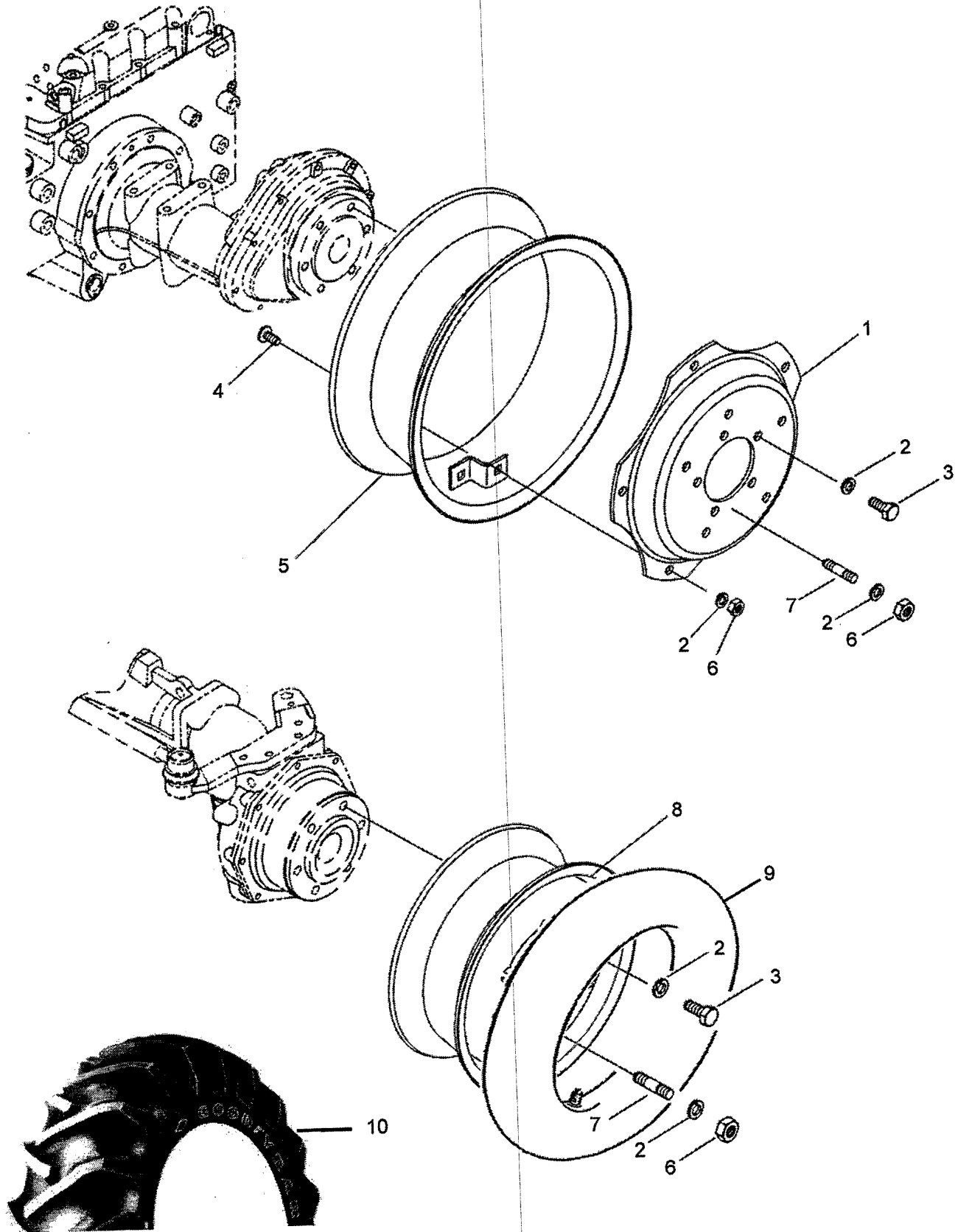
330 HST / 390 HST

SECTION 20

FRONT & REAR WHEELS

 **Long Agribusiness**

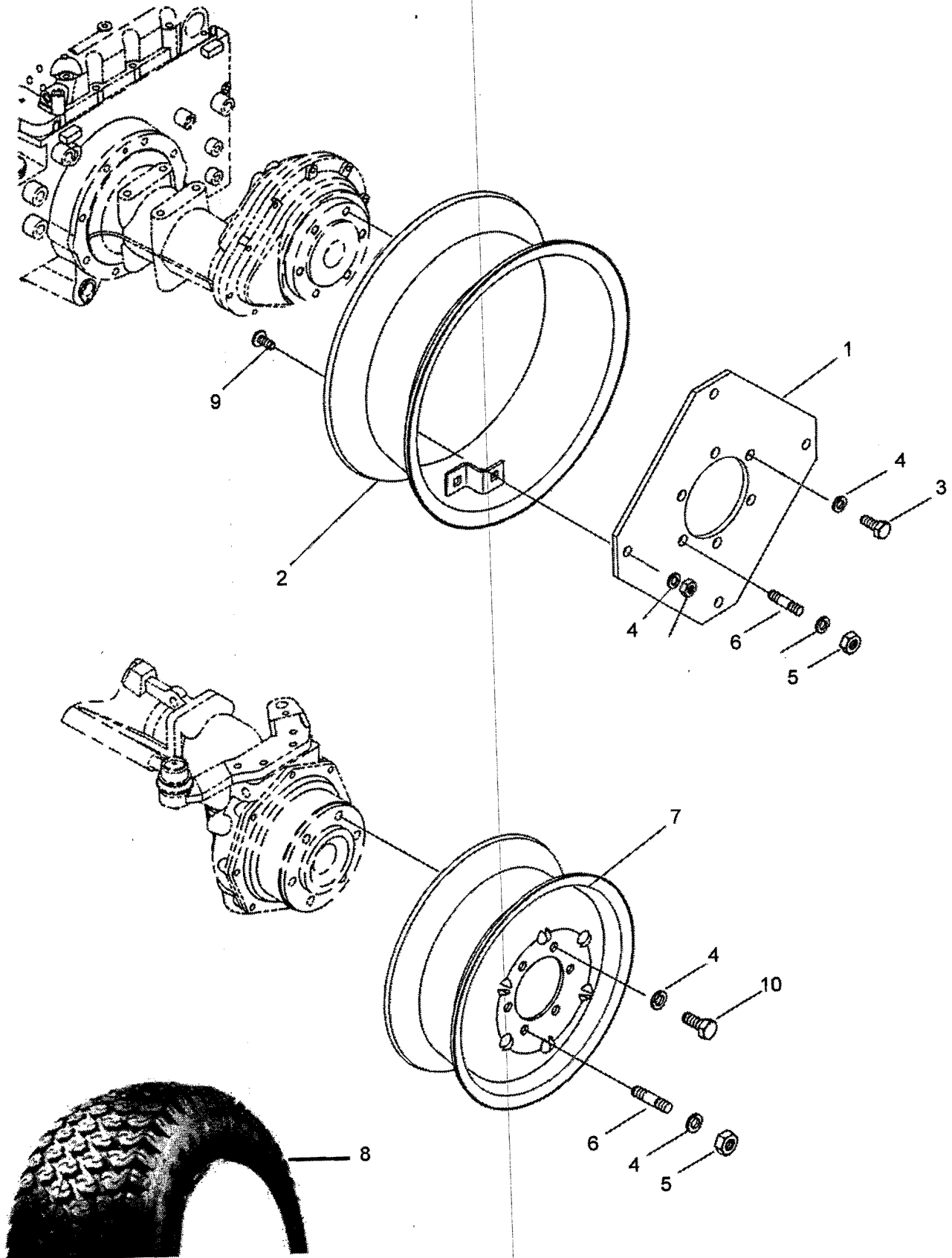
COMMON SENSE SOLUTIONS





330HST / 390HST

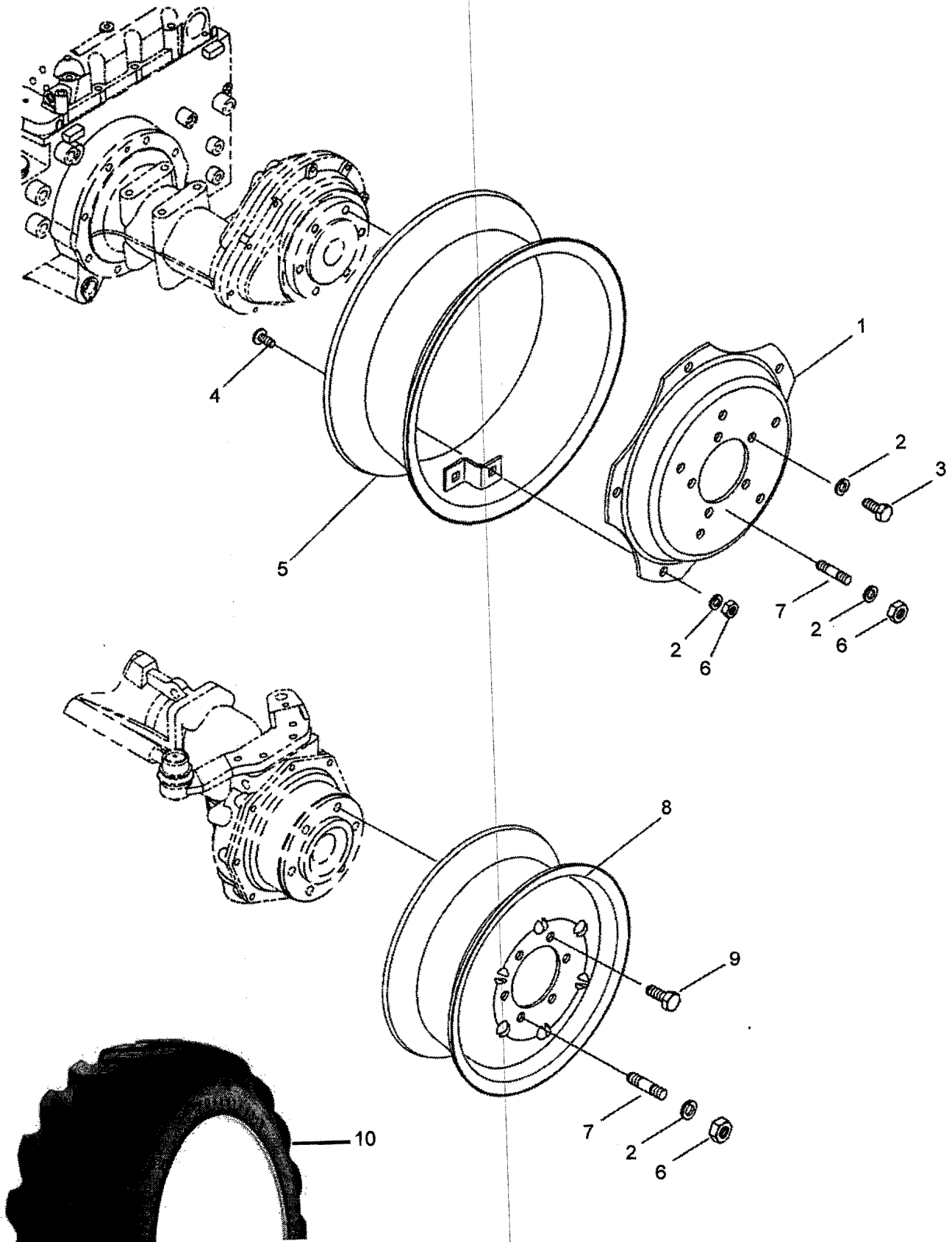
ITEM	LONG No.	VENDOR No.	DESCRIPTION	QTY.	
				330HST	390HST
1	LG2777	A1490060	Disc, Rear	2	2
2	N630176-S36		Washer, Lock (M16)	32	32
3	500354		Bolt, (M16 - 1.5 x 30)	16	16
4	LG1885	3A1970077	Bolt, Wheel	8	8
5	902041		Rear Rim Assy	2	2
6	500394-S36		Nut, Reg. (M16 - 1.5)	16	16
7	LG1944	S167162523	Bolt, Stud (M16 - 1.5 x 25)	8	8
8	LG1880	A1490059	Front Rim Assy	2	2
9	736281		Tube, Front (7.50 - 16)	2	2
-	737801		Tube, Rear (12.4 - 24)	2	2
10	902036		Tire, Front (8.3 - 16)	2	2
-	791969		Tire, Rear (12.4 - 24)	2	2



TURFTIRE & RIM ASSEMBLY

330HST / 390HST

ITEM	LONG No.	VENDOR No.	DESCRIPTION	QTY.	
				330HST	390HST
1	902245		Center Disc, Rear Turf Tire	2	2
2	902243		Rear Rim Assy, Turf Tire	2	2
3	500354		Bolt, (M16 - 1.5 x 30)	16	16
4	N630176-S36		Washer, Lock (M16)	32	32
5	500394-S36		Nut, Reg. (M16 - 1.5)	16	16
6	LG1944	S167162523	Bolt, Stud (M16 - 1.5 x 25)	8	8
7	902266		Wheel Assy, Mod.	2	2
8	901333		Tire, Front (25 x 10.5 - 15)	2	2
-	901480		Tire, Front (27 x 10.5 - 15)	2	2
-	902263		Tire, Rear (41 x 14 - 20)	2	2
9	LG1885	3A1970077	Bolt, Wheel	8	8
10	TX10863		Rear Lug Bolt	8	8



330HST / 390HST

ITEM	LONG No.	VENDOR No.	DESCRIPTION	QTY.	
				330HST	390HST
1	LG2777	A1490060	Disc, Rear	2	2
2	N630176-S36		Washer, Lock (M16)	24	24
3	500354		Bolt, (M16 - 1.5 x 30)	8	8
4	LG1885	3A1970077	Bolt, Wheel	8	8
5	902121		Rear Rim Assy	2	2
6	500394-S36		Nut, Reg. (M16 - 1.5)	16	16
7	LG1944	S167162523	Bolt, Stud (M16 - 1.5 x 25)	8	8
8	902147		Wheel Assy, Mod.	2	2
9	TX10863		Bolt, Lug Rear	8	8
10	902123		Tire, Industrial, Front (10 - 16.5)	2	2
-	902124		Tire, Industrial, Rear (70 - 24)	2	2

Notes