



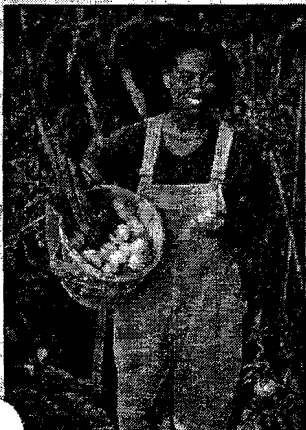
Long Agribusiness

PARTS MANUAL



FARMTRAC TRACTOR


MODELS: 270 DTC / 320 DTC




COMMON SENSE SOLUTIONS

Long Agribusiness, LLC

PO BOX 1120 • TARRORO, NC 27886 • (252) 823-4151

This **Safety**  **Alert Symbol** is intended to warn you of some potential hazard. You should look for this Symbol on your Farmtrac equipment and throughout this manual.

When the **Safety**  **Alert Symbol** is seen, you should carefully read the warning that is printed beside or under the Symbol and closely follow it!

The **Safety**  **Alert Symbol** is put on all LongAgribusiness equipment and in this and other manuals for your safety and protection. Be smart — AVOID ACCIDENTS!

To THE OWNER

Thank you for purchasing your Farmtrac product. Your investment is in a quality product, carefully designed and manufactured for easy use and minimal maintenance. Your product is constructed of premium components and is as durable as you'll find. Before using your product for the first time, we recommend that you read this entire manual and study the information contained herein carefully. This will aid you in planning the work and avoiding most human error.

To THE OPERATOR

This Farmtrac product is an investment which deserves the best in maintenance and service. Proper care will allow full return on this investment. Replace parts only with Farmtrac approved replacement parts. Use of non-approved parts will automatically void any warranty.

Record the serial number, and model numbers here when applicable. Any communication regarding equipment sold by Farmtrac or its dealers must include these reference numbers. In the event parts are needed for this product these reference numbers will help speed up your order.

SERIAL _____

MODEL _____

CALIFORNIA PROPOSITION 65 WARNING
Diesel engine exhaust and some of its constituents are known to the State of California to cause cancer, birth defects and other reproductive harm.

The information contained herein is from data available at the time of printing. Farmtrac North America, LLC. reserves the right to make changes in specifications shown herein or to add improvements without notice and without incurring obligation.

GASKET-ENGINES	1-1 - 1-4	CLUTCH	8-1 - 8-4
Overhaul Gasket Kit		Clutch	8-1 - 8-2
270 DTC	1-1 - 1-2	Clutch Housing	8-3 - 8-4
320 DTC	1-3 - 1-4		
COOLING SYSTEM	2-1 - 2-6	BRAKE AND CLUTCH CONTROLS	9-1 - 9-8
Cooling System	2-1 - 2-2	Parking Brake Lever	9-1 - 9-2
Radiator	2-3 - 2-4	Brake Pedal	9-3 - 9-4
Water Pump	2-5	Brake Assembly	9-5 - 9-6
Thermostat	2-6	Clutch Pedal	9-7 - 9-8
ENGINE SECTION	3-1 - 3-28	GEARBOX	10-1 - 10-10
Cylinder Block		Transmission Case	10-1 - 10-2
270 DTC	3-1 - 3-2	Shift Lever & Fork	10-3 - 10-6
320 DTC	3-3 - 3-4	Range Gear Shaft	10-7 - 10-8
Cylinder Head		Main Shaft	10-9 - 10-10
270 DTC	3-5 - 3-6	REAR AXLE HOUSING & DIFFERENTIAL	11-1 - 11-8
320 DTC	3-7 - 3-8	Rear Axle	11-1 - 11-2
Valve Mechanism	3-9 - 3-10	Rear Differential	11-3 - 11-4
Crankcase		Differential Lock	11-5 - 11-6
270 DTC	3-11 - 3-12	4 WD	11-7 - 11-8
320 DTC	3-13 - 3-14	FRONT AXLES	12-1 - 12-10
Timing Gear Case	3-15 - 3-16	Front Drive	12-1 - 12-2
Main Bearing Case	3-17	Front Axle Assembly	12-3 - 12-4
Inlet & Exhaust Manifold	3-12	Front Axle Case (1)	12-5 - 12-6
Cylinder Head Cover	3-18	Front Axle Case (2)	12-7 - 12-8
Camshaft	3-19	Front Differential	12-9 - 12-10
Flywheel (Single Clutch)	3-20	STEERING SYSTEM	13-1 - 13-8
Speed Control Lever	3-21 - 3-22	Steering Column	13-1 - 13-2
Engine Stop Lever	3-23 - 3-24	Steering Cylinder	13-3 - 13-4
Governor	3-25 - 3-26	Steering Cylinder Assembly	13-5 - 13-6
Nozzle Holder	3-27	Steering Pipe Line	13-7 - 13-8
Manifold	3-28	HYDRAULIC SYSTEM	14-1 - 14-11
OIL SYSTEM	4-1 - 4-5	Hydraulic Lines	14-1 - 14-2
Oil Filter	4-1	Hydraulic Lift Housing	14-3
Oil Pump	4-2	Hydraulic Linkage	14-4
Oil Pan	4-3	Hydraulic Cylinder	14-5 - 14-6
FUEL SYSTEM	5-1 - 5-14	Hydraulic Lift Arm	14-7
Fuel Camshaft	5-1 - 5-2	Remote Control Valve	14-8
Speed Control Lever	5-3 - 5-4	Hydraulic Control Lever	14-9 - 14-10
Engine Stop Lever	5-5 - 5-6	Relief Valve	14-11
Governor	5-7 - 5-8	THREE POINT HITCH	15-1 - 15-6
Nozzle Holder	5-9	Upper Link	15-1 - 15-2
Fuel Filter	5-10	Lift Rod	15-3 - 15-4
Hand & Foot Throttle	5-11 - 5-12	Lower Link	15-5
Fuel Tank & Lines	5-13 - 5-14	Check Chains	15-6
AIR CLEANER	6-1 - 6-2	POWER TAKE OFF	16-1 - 16-4
Air Cleaner	6-1 - 6-2	PTO Shaft	16-1 - 16-2
EXHAUST SYSTEM	7-1	PTO Drive Shaft	16-3 - 16-4
Muffler	7-1		

ELECTRICAL SYSTEM & INSTRUMENTS17-1 - 17-8
 Instrument Panel17-1 - 17-2
 Electrical Wiring 17-3
 Lamp 17-4
 Battery 17-5 - 17-6
 Starter 17-7 - 17-8

SHEET METAL18-1 - 18-16
 Hood 18-1 - 18-4
 Seat Assembly 18-5 - 18-6
 Drawbar Hitch 18-7 - 18-8
 Step 18-9 - 18-10
 Fender 18-11 - 18-12
 Frame Group 18-13 - 18-14
 Rollover Protection Structure18-15 - 18-16

FRONT & REAR WHEELS 20-1 - 20-6
 Agricultural Tire & Rim Assembly 20-1 - 20-2
 Turf Tire & Rim Assembly 20-3 - 20-4
 Industrial Tire & Rim Assembly 20-5 - 20-6

DECALS20-1 - 20-7
 Decals20-1 - 20-7

NUMERICAL INDEX iii-x
 Numerical Index iii-x

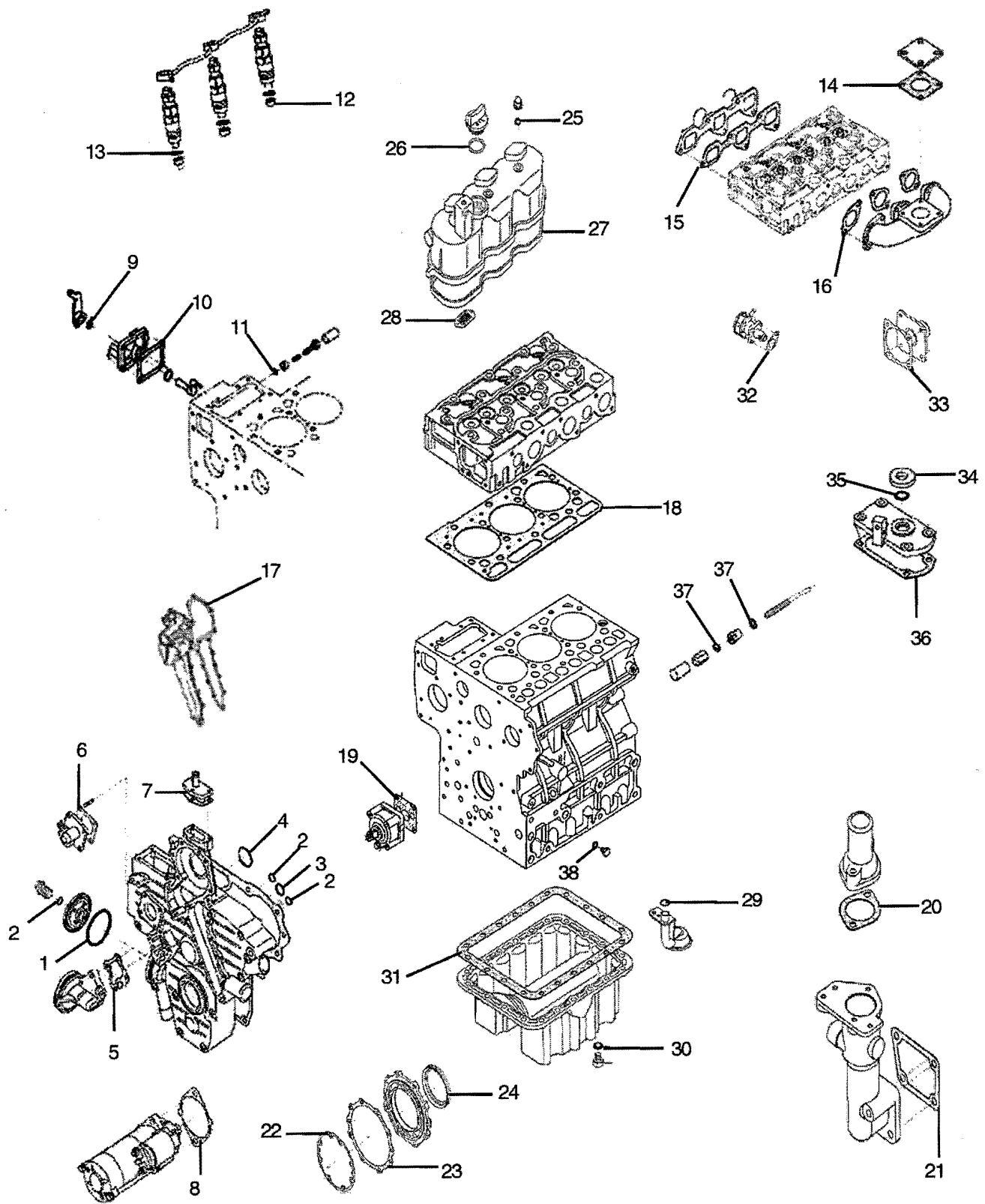
270 DTC / 320 DTC

SECTION 1

GASKETS - ENGINE



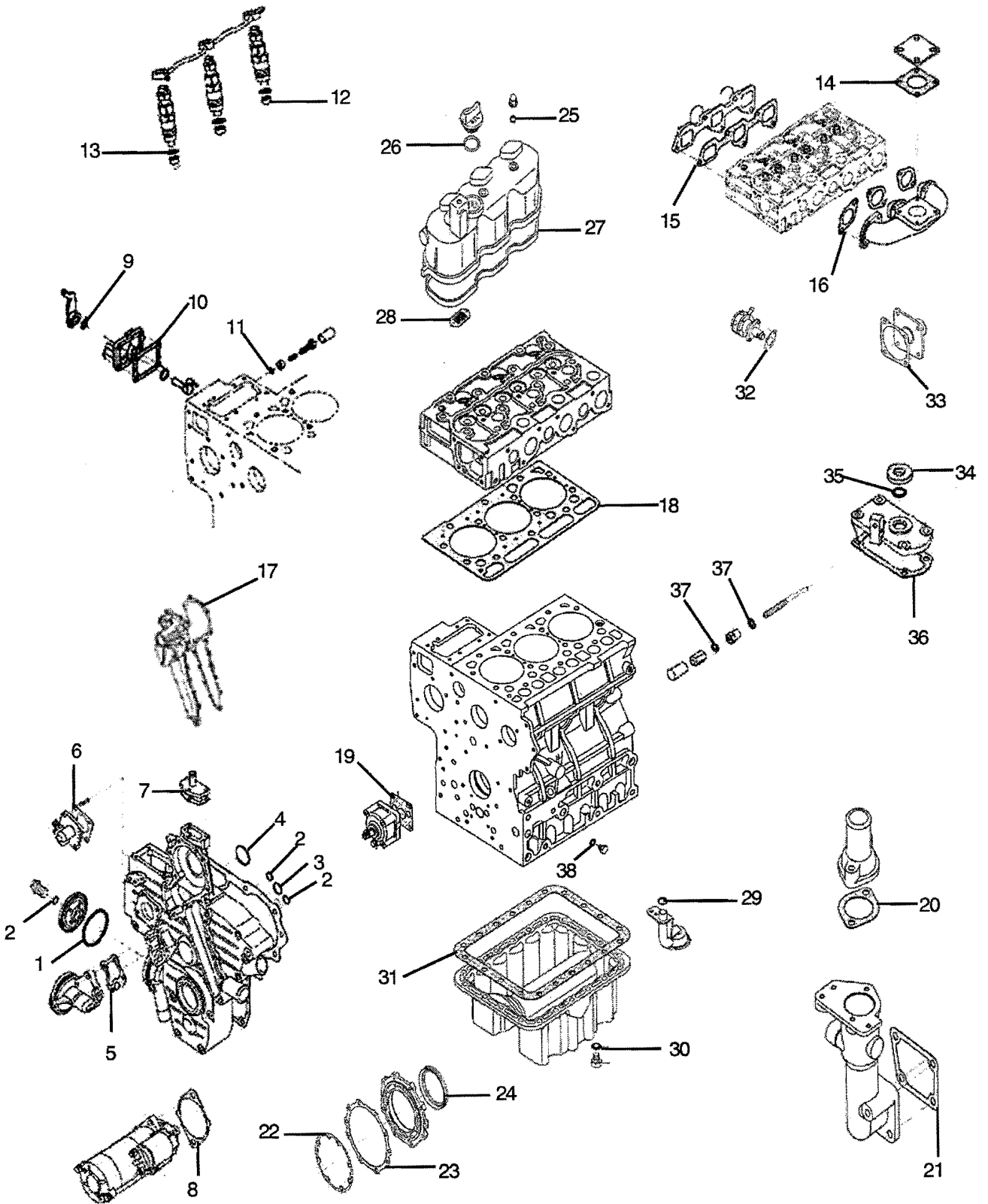
OVERHAUL GASKET KIT (270 DTC)



OVERHAUL GASKET KIT (270 DTC)

<i>ITEM No</i>	<i>PART No.</i>	<i>DESCRIPTION</i>	<i>QTY.</i>
			270 DTC
1-37	907631	Engine Gasket Set	1
1	LG5473	O-Ring	1
2	LG4711	O-Ring	3
3	LG4712	O-Ring	1
4	LG4713	O-Ring	1
5	LG5469	Gasket	1
6	LG4728	Gasket, Hour Meter Unit	1
7	LG4727	Gasket, Water Flange	1
8	LG4477	Gasket	1
9	LG4628	Seal, Oil	1
10	LG4632	Gasket, Pump Cover	1
11	LG4623	O-Ring	1
12	LG4488	Seal, Nozzle	3
13	LG4825	Gasket, Nozzle	3
14	LG5507	Muffler Gasket	1
15	LG4475	Intake Manifold Gasket	1
16	LG4489	Exhaust Manifold Gasket	3
17	LG5500	Water Pump Gasket	1
18	LG5562	Head Gasket	1
19	LG4471	Oil Pump Gasket	1
20	LG4856	Gasket, Thermostat	1
21	LG4853	Gasket, Water Flange	1
22	LG4484	Gasket, Bearing Case	1
23	LG4485	Case Cover Gasket, Main	1
24	LG4985	Seal, Oil	1
25	LG4470	Gasket	3
26	LG4761	O-Ring	1
27	LG4992	Gasket, Head Cover	1
28	LG4762	Element Plate	1
29	LG4693	O-Ring	1
30	LG4690	Seal Washer	2
31	LG4468	Oil Pan Gasket	1
32	LG4497	Fuel Pump Gasket	1
33	LG5011	Fuel Camshaft Cover Gasket	1
34	LG4606	Friction Plate	1
35	LG4603	O-Ring, Control Plate	1
36	LG5490	Gasket	1
37	LG5486	Gasket	2
38	LG4680	Gasket	1

OVERHAUL GASKET KIT (320 DTC)



**270DTC / 320DTC****GASKETS - ENGINE****OVERHAUL GASKET KIT (320 DTC)**

ITEM No	PART No.	DESCRIPTION	QTY. 320 DTC
1-37	907632	Engine Gasket Set	1
1	LG5473	O-Ring	1
2	LG4711	O-Ring	3
3	LG4712	O-Ring	1
4	LG4713	O-Ring	1
5	LG5469	Gasket	1
6	LG4728	Gasket, Hour Meter Unit	1
7	LG4727	Gasket, Water Flange	1
8	LG4477	Gasket	1
9	LG4628	Seal, Oil	1
10	LG4632	Gasket, Pump Cover	1
11	LG4623	O-Ring	1
12	LG4488	Seal, Nozzle	3
13	LG4825	Gasket, Nozzle	3
14	LG5507	Muffler Gasket	1
15	LG4475	Intake Manifold Gasket	1
16	LG4489	Exhaust Manifold Gasket	3
17	LG5500	Water Pump Gasket	1
18	LG4867	Head Gasket	1
19	LG4471	Oil Pump Gasket	1
20	LG4856	Gasket, Thermostat	1
21	LG4853	Gasket, Water Flange	1
22	LG4484	Gasket, Bearing Case	1
23	LG4485	Case Cover Gasket, Main	1
24	LG4985	Seal, Oil	1
25	LG4470	Gasket	3
26	LG4761	O-Ring	1
27	LG4992	Gasket, Head Cover	1
28	LG4762	Element Plate	1
29	LG4693	O-Ring	1
30	LG4690	Seal Washer	2
31	LG4468	Oil Pan Gasket	1
32	LG4497	Fuel Pump Gasket	1
33	LG5011	Fuel Camshaft Cover Gasket	1
34	LG4606	Friction Plate	1
35	LG4603	O-Ring, Control Plate	1
36	LG5490	Gasket	1
37	LG5486	Gasket	2
38	LG4680	Gasket	1

NOTES

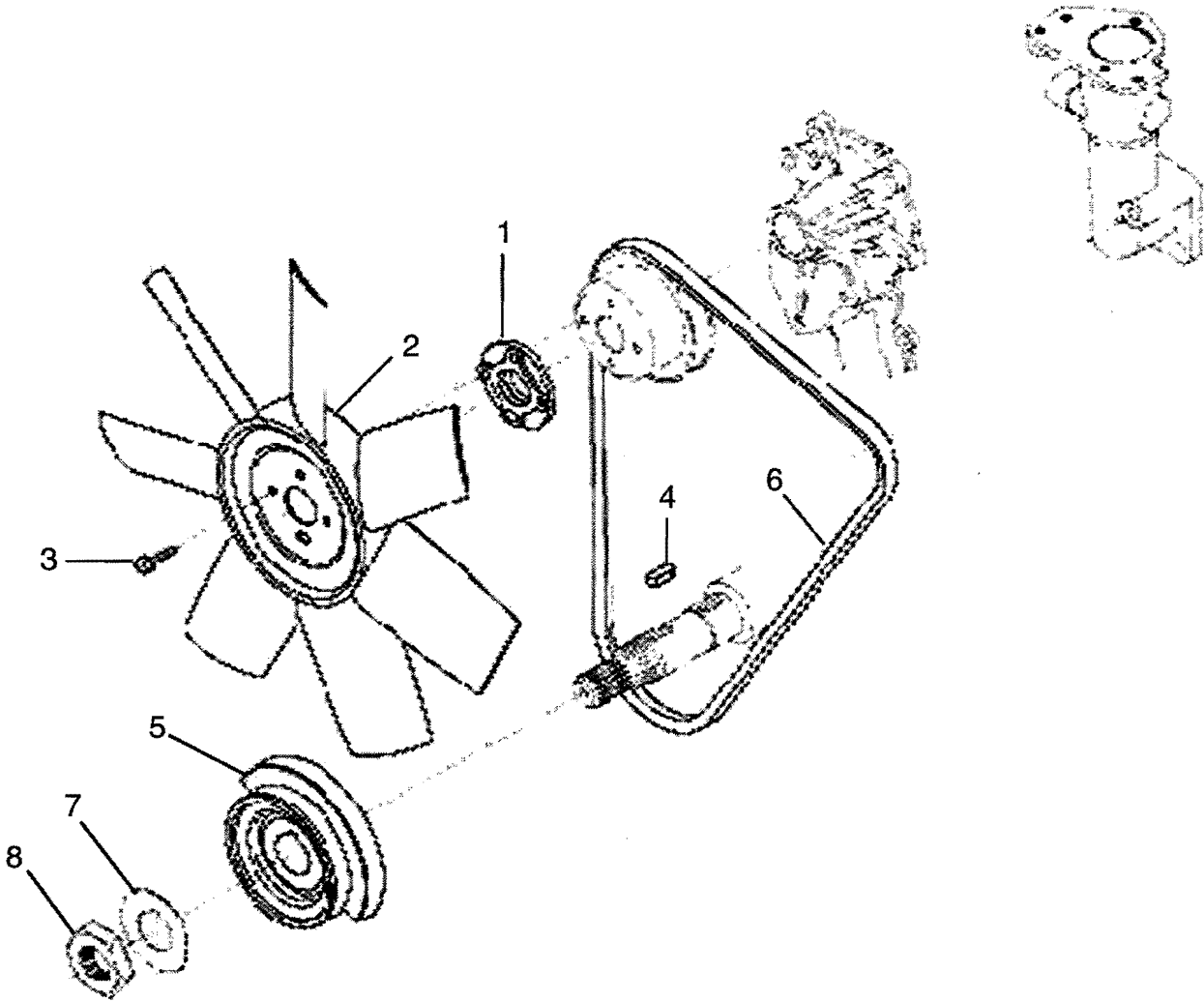
270 DTC / 320 DTC

SECTION 2

COOLING SYSTEM



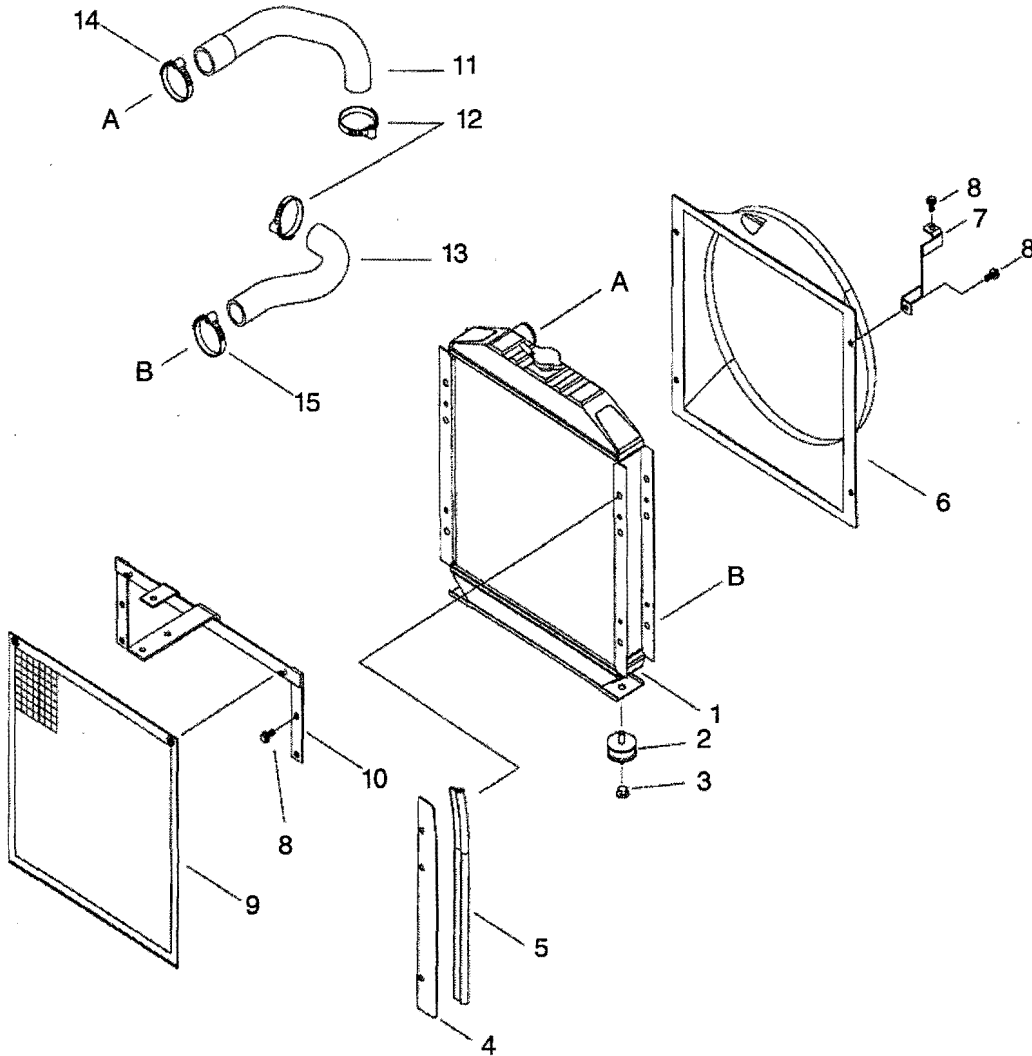
COOLING SYSTEM



COOLING SYSTEM

<i>ITEM No</i>	<i>PART No.</i>	<i>DESCRIPTION</i>	<i>QTY.</i>	
			<i>270 DTC</i>	<i>320 DTC</i>
1	LG5513	Fan Collar	1	1
2	LG4500	Cooling Fan	1	1
3	LG5514	Flange Bolt	4	4
4	LG4778	Key	1	1
5	LG5515	Fan Drive Pulley	1	1
6	LG5516	Fan Belt	1	1
7	LG4808	Crankshaft Washer	1	1
8	LG4807	Crankshaft Nut	1	1

RADIATOR

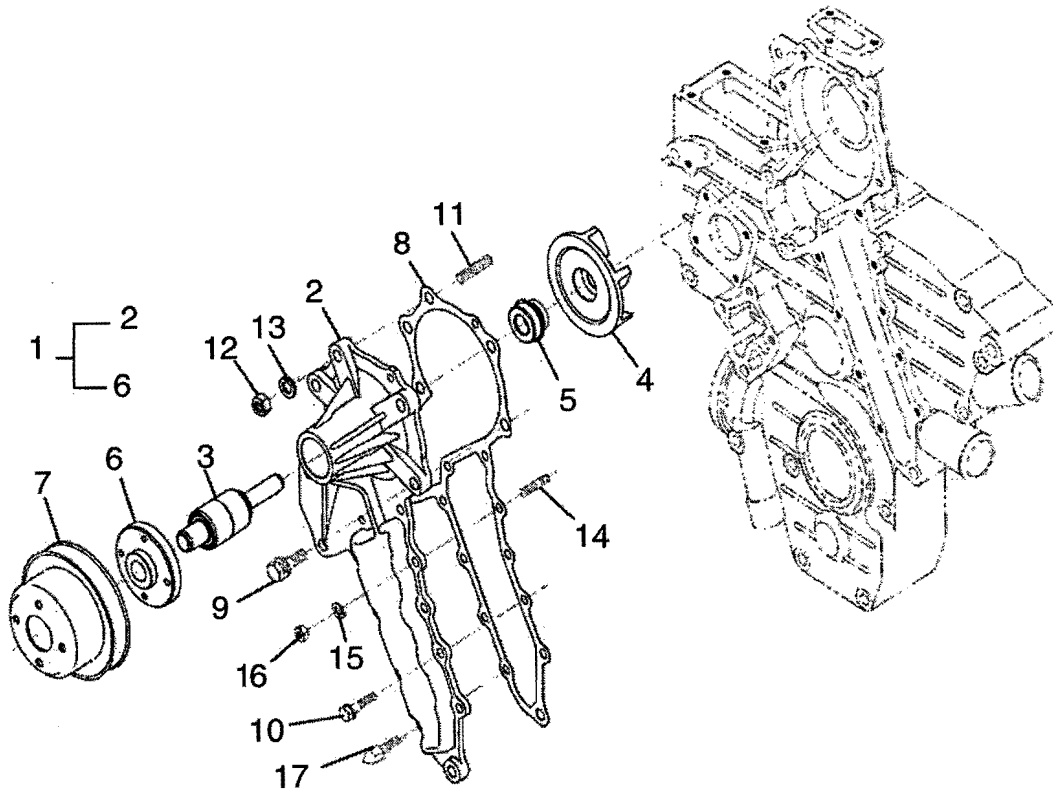


RADIATOR

ITEM No	PART No.	DESCRIPTION	QTY.	
			270 DTC	320 DTC
1	LG4869	Radiator	1	1
2	LG4870	Rubber, Damping	2	2
3	LG1983	Nut, Flange BTY (M10x1.25)	2	2
4	LG5106	Plate, Wing	2	2
5	LG5107	Weather Strip	2	2
6	LG4219	Shroud, Fan	1	1
7	LG5432	Bracket, Radiator	1	1
8	LG1892	Bolt, Hex w/Washer (M8x1.25x20)	11	11
9	LG5433	Net, Front	1	1
10	LG5434	Bracket, Air Cleaner	1	1
11	LG5108	Hose, Upper	1	1
12	LG4940	Clamp, Hose	1	1
13	LG5109	Hose, Lower	1	1
14	LG3301	Clamp, Hose	1	1
15	LG1046	Clamp, Hose	1	1

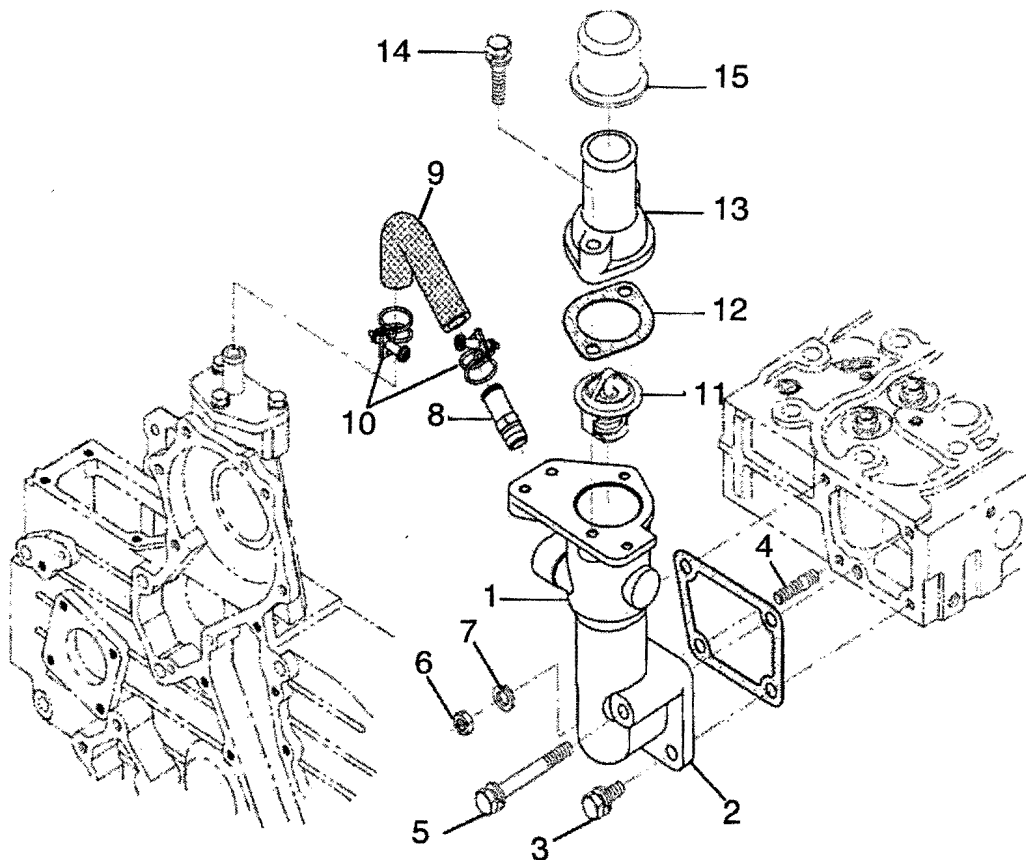
WATER PUMP

ITEM No	PART No.	DESCRIPTION	QTY.	
			270 DTC	320 DTC
1	LG5494	Water Pump Assembly	1	1
2	LG5495	Water Pump Body	1	1
3	LG5496	Water Pump Bearing	1	1
4	LG5497	Impeller	1	1
5	LG5022	Mecahnical Seal Assembly	1	1
6	LG5498	Flange	1	1
7	LG5499	Fan Pulley	1	1
8	LG5500	Water Pump Gasket	1	1
9	LG4850	Bolt w/Washer	1	1
10	LG4633	Bolt w/Washer	1	1
11	LG4851	Stud	1	1
12	LG4564	Nut	1	1
13	LG4565	Washer, Spring	1	1
14	LG4729	Stud	1	1
15	LG4572	Washer, Spring	1	1
16	LG4614	Nut	1	1
17	LG4571	Timing Bolt	1	1



THERMOSTAT

ITEM No	PART No.	DESCRIPTION	QTY.	
			270 DTC	320 DTC
1	LG5501	Water Flange	1	1
2	LG4853	Gasket, Water Flange	1	1
3	LG4562	Bolt w/Washer	2	2
4	LG4563	Stud	1	1
5	LG4717	Bolt w/Washer	1	1
6	LG4564	Nut	1	1
7	LG4565	Washer, Spring	1	1
8	LG4678	Pipe, Water Return	1	1
9	LG4586	Hose, Water Return	1	1
10	LG4612	Pipe Band	2	2
11	LG4854	Thermostat Assembly	1	1
12	LG4856	Gasket, Thermostat	1	1
13	LG5502	Thermostat Cover	1	1
14	LG4857	Bolt w/Washer	2	2
15	LG5478	Water Pipe Cover	1	1



NOTES

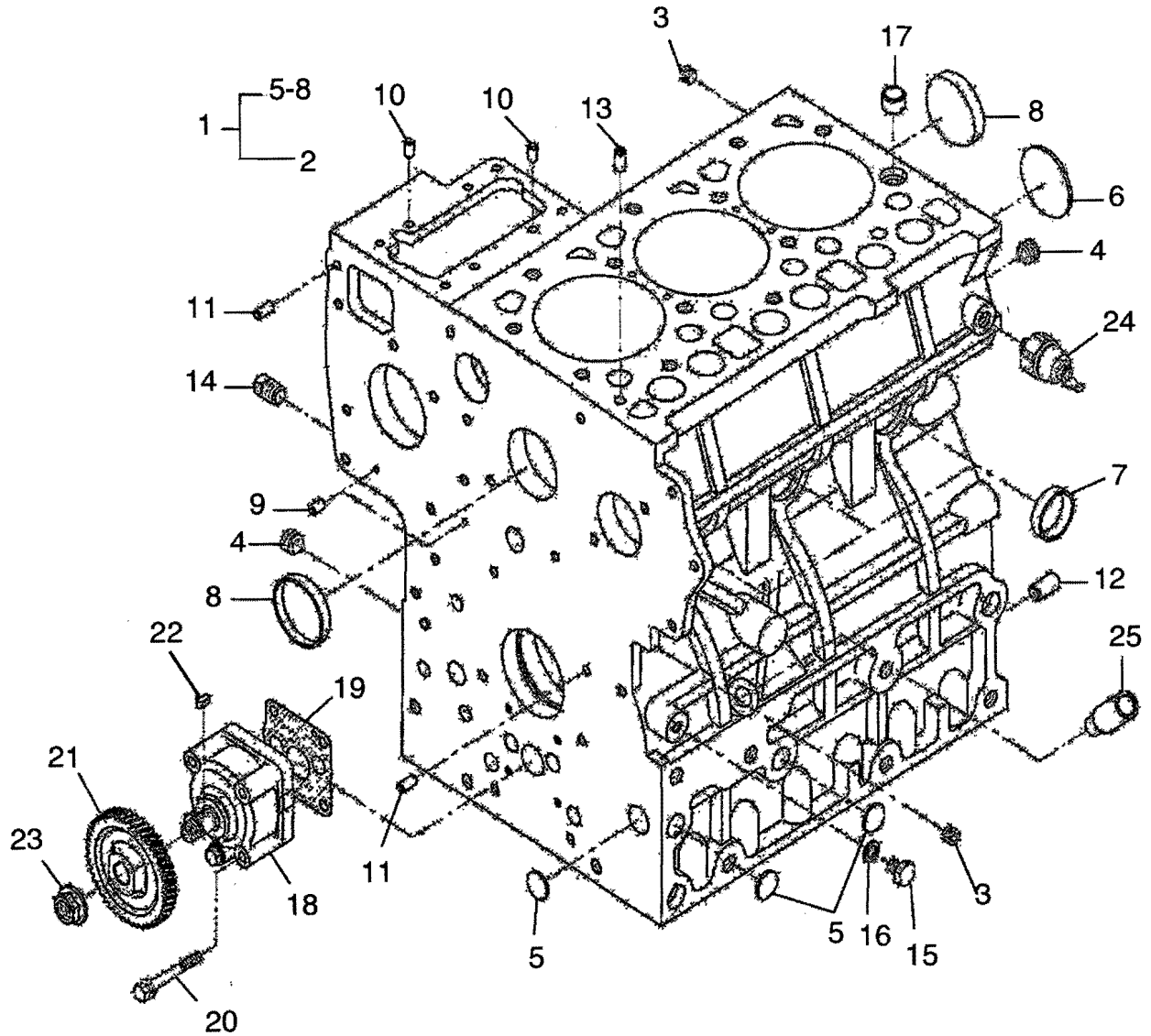
270 DTC / 320 DTC

SECTION 3

ENGINE



CYLINDER BLOCK (270 DTC)

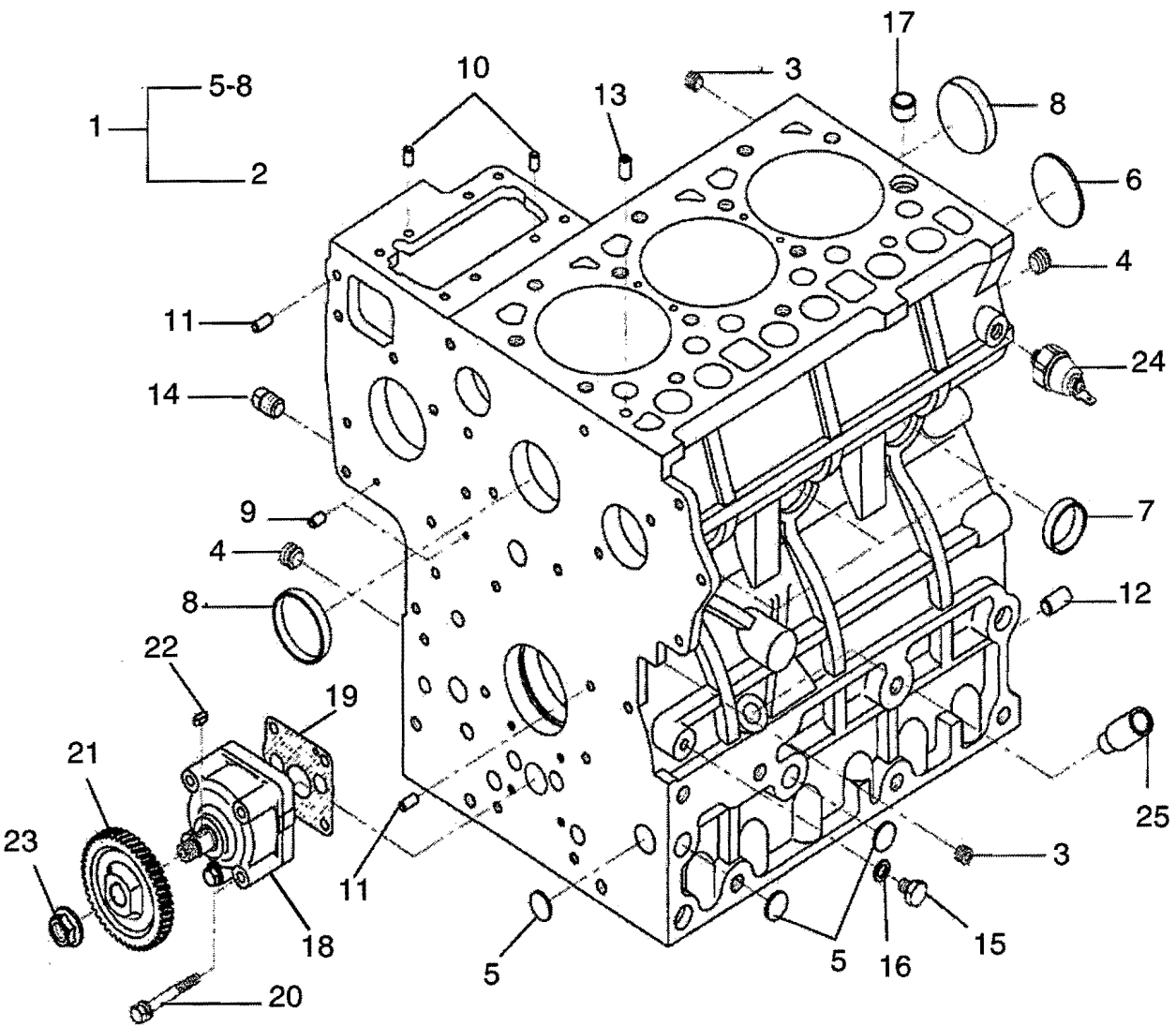




CYLINDER BLOCK (270 DTC)

ITEM No	PART No.	DESCRIPTION	QTY. 270 DTC
1	LG5447	Cylinder Block Assembly	1
2	LG5448	Cylinder Block	1
3	LG4667	Plug	5
4	LG4668	Plug	2
5	LG4669	Plug	3
6	LG4670	Plug	1
7	LG4671	Sealing Cap	5
8	LG4672	Sealing Cap	2
9	LG4673	Straight Pin	2
10	LG4674	Straight Pin	2
11	LG4675	Straight Pin	2
12	LG4676	Straight Pin	1
13	LG4677	Pipe Pin	1
14	LG5449	Plug	1
15	LG4679	Plug	1
16	LG4680	Gasket	1
17	LG4681	Pipe Pin	1
18	LG4480	Oil Pump Assembly	1
19	LG4471	Gasket, Oil Pump	1
20	LG4682	Bolt w/Washer	4
21	LG4683	Oil Pump Drive Gear	1
22	LG4684	Key	1
23	LG4685	Flange Nut	1
24	LG4472	Oil Switch	1
25	LG4686	Oil Gauge Guide	1

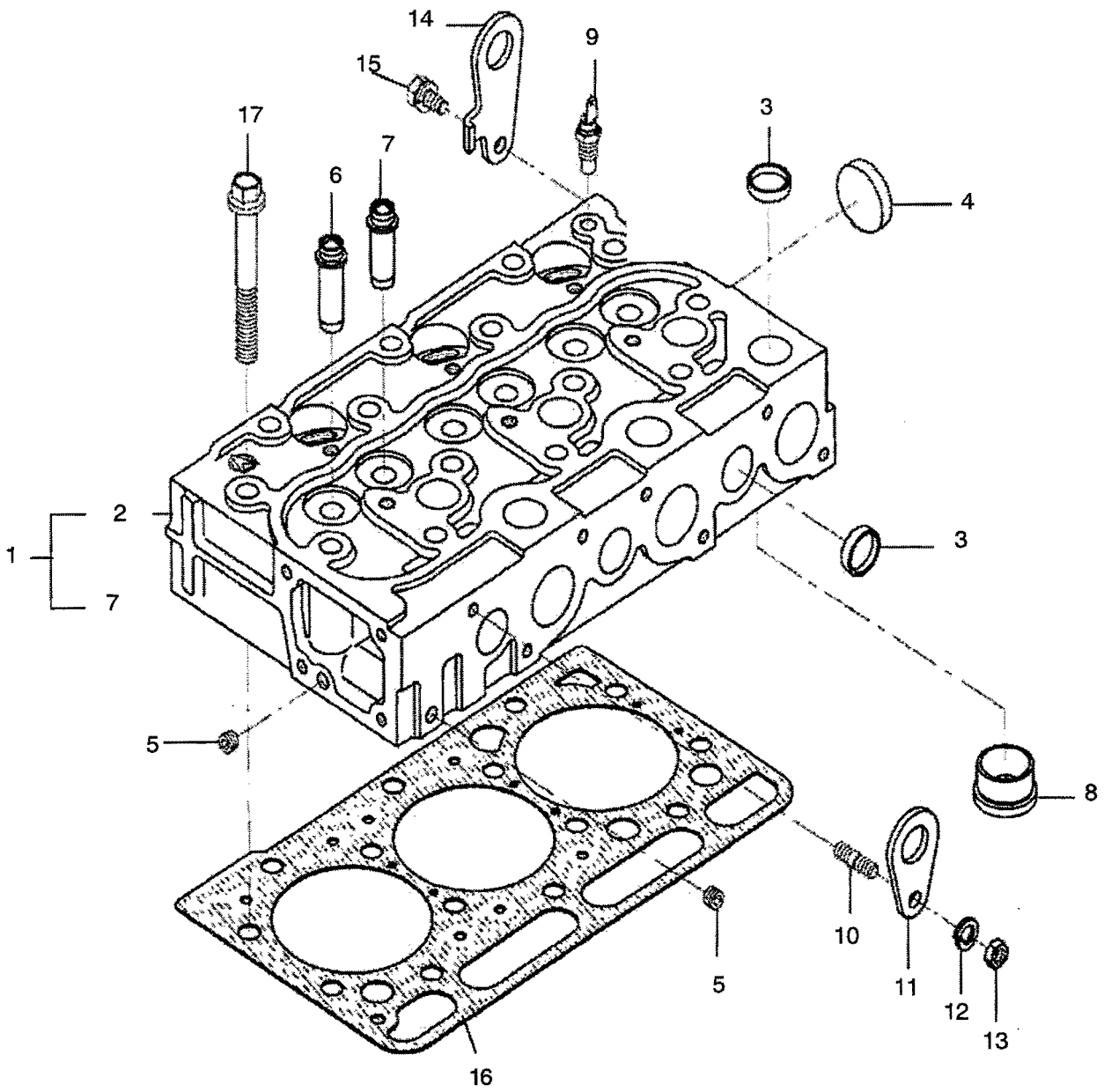
CYLINDER BLOCK (320 DTC)



CYLINDER BLOCK (320 DTC)

<i>ITEM No</i>	<i>PART No.</i>	<i>DESCRIPTION</i>	<i>QTY.</i>
			320 DTC
1	LG4977	Cylinder Block Assembly	1
2	LG4978	Cylinder Block	1
3	LG4667	Plug	5
4	LG4668	Plug	2
5	LG4669	Plug	3
6	LG4670	Plug	1
7	LG4671	Sealing Cap	5
8	LG4672	Sealing Cap	2
9	LG4673	Straight Pin	2
10	LG4674	Straight Pin	2
11	LG4675	Straight Pin	2
12	LG4676	Straight Pin	1
13	LG4677	Pipe Pin	1
14	LG5449	Plug	1
15	LG4679	Plug	1
16	LG4680	Gasket	1
17	LG4681	Pipe Pin	1
18	LG4480	Oil Pump Assembly	1
19	LG4471	Oil Pump Gasket	1
20	LG4682	Bolt w/Washer	4
21	LG4683	Oil Pump Drive Gear	1
22	LG4684	Key	1
23	LG4685	Flange Nut	1
24	LG4472	Oil Switch	1
25	LG4686	Oil Gauge Guide	1

CYLINDER HEAD (270DTC)



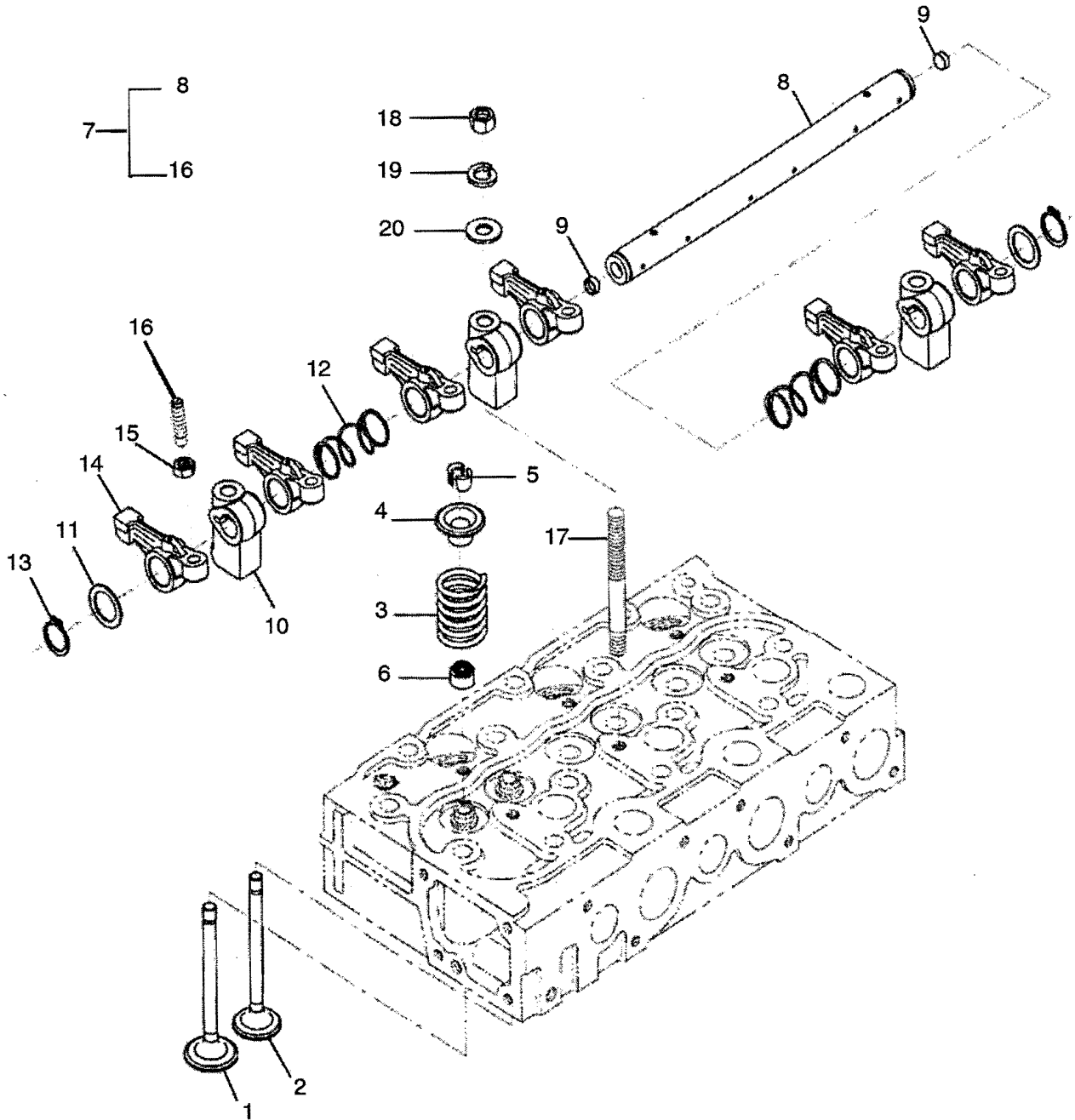
CYLINDER HEAD (270 DTC)

<i>ITEM No</i>	<i>PART No.</i>	<i>DESCRIPTION</i>	<i>QTY.</i> 270 DTC
1	LG5451	Cylinder Head Assembly	1
2	LG5452	Cylinder Head	1
3	LG4697	Sealing Cap	9
4	LG4698	Sealing Cap	1
5	LG4667	Plug	2
6	LG4700	Inlet Valve Guide	3
7	LG4701	Exhaust Valve Guide	3
8	LG4705	Hot Plug	3
9	LG4706	Thermometer Switch	1
10	LG4563	Stud	1
11	LG4702	Engine Hook	1
12	LG4565	Spring Washer	1
13	LG4564	Nut	1
14	LG4715	Engine Hook	1
15	LG4703	Bolt w/Washer	1
16	LG5562	Head Gasket	1
17	LG4704	Head Bolt	14

CYLINDER HEAD (320 DTC)

<i>ITEM No</i>	<i>PART No.</i>	<i>DESCRIPTION</i>	<i>QTY.</i> 320 DTC
1	LG5454	Cylinder Head Assembly	1
2	LG5455	Cylinder Head	1
3	LG4697	Sealing Cap	9
4	LG4698	Sealing Cap	1
5	LG4699	Plug	2
6	LG4700	Inlet Valve Guide	3
7	LG4701	Exhaust Valve Guide	3
8	LG4705	Hot Plug	3
9	LG4706	Thermometer Switch	1
10	LG4563	Stud	1
11	LG5702	Engine Hook	1
12	LG4565	Spring Washer	1
13	LG4564	Nut	1
14	LG4715	Engine Hook	1
15	LG4703	Bolt w/Washer	1
16	LG4867	Head Gasket	1
17	LG4704	Head Bolt	14

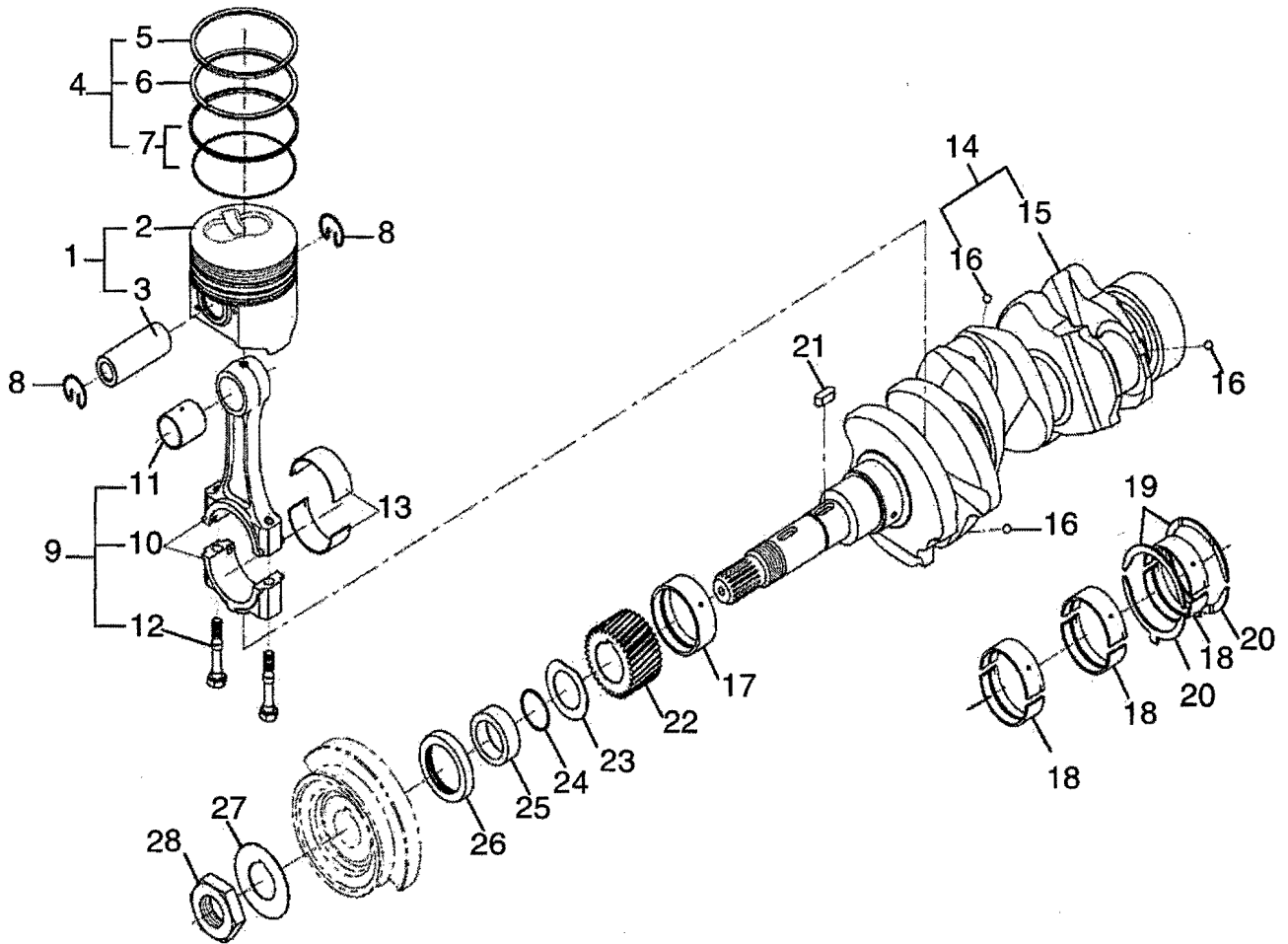
VALVE MECHANISM



VALVE MECHANISM

ITEM No	PART No.	DESCRIPTION	QTY.	
			270 DTC	320 DTC
1	LG4738	Inlet Valve	3	3
2	LG4739	Exhaust Valve	3	3
3	LG4988	Valve Spring	6	6
4	LG4741	Valve Spring Retainer	6	6
5	LG4742	Valve Spring Collet	12	12
6	LG4490	Seal, Valve Stem	6	6
7	LG4743	Rocker Arm Shaft Assembly	1	1
8	LG4745	Rocker Arm Shaft	1	1
9	LG4746	Sealing Cap	2	2
10	LG4747	Rocker Arm Bracket	3	3
11	LG4748	Plain Washer	2	2
12	LG4749	Rocker Arm Spring	2	2
13	LG4750	Circlip	2	2
14	LG4751	Rocker Arm	6	6
15	LG4752	Adjusting Nut	6	6
16	LG4753	Adjusting Screw	6	6
17	LG4754	Rocker Arm Stud	3	3
18	LG4755	Nut	3	3
19	LG4756	Spring Washer	3	3
20	LG4757	Plain Washer	3	3

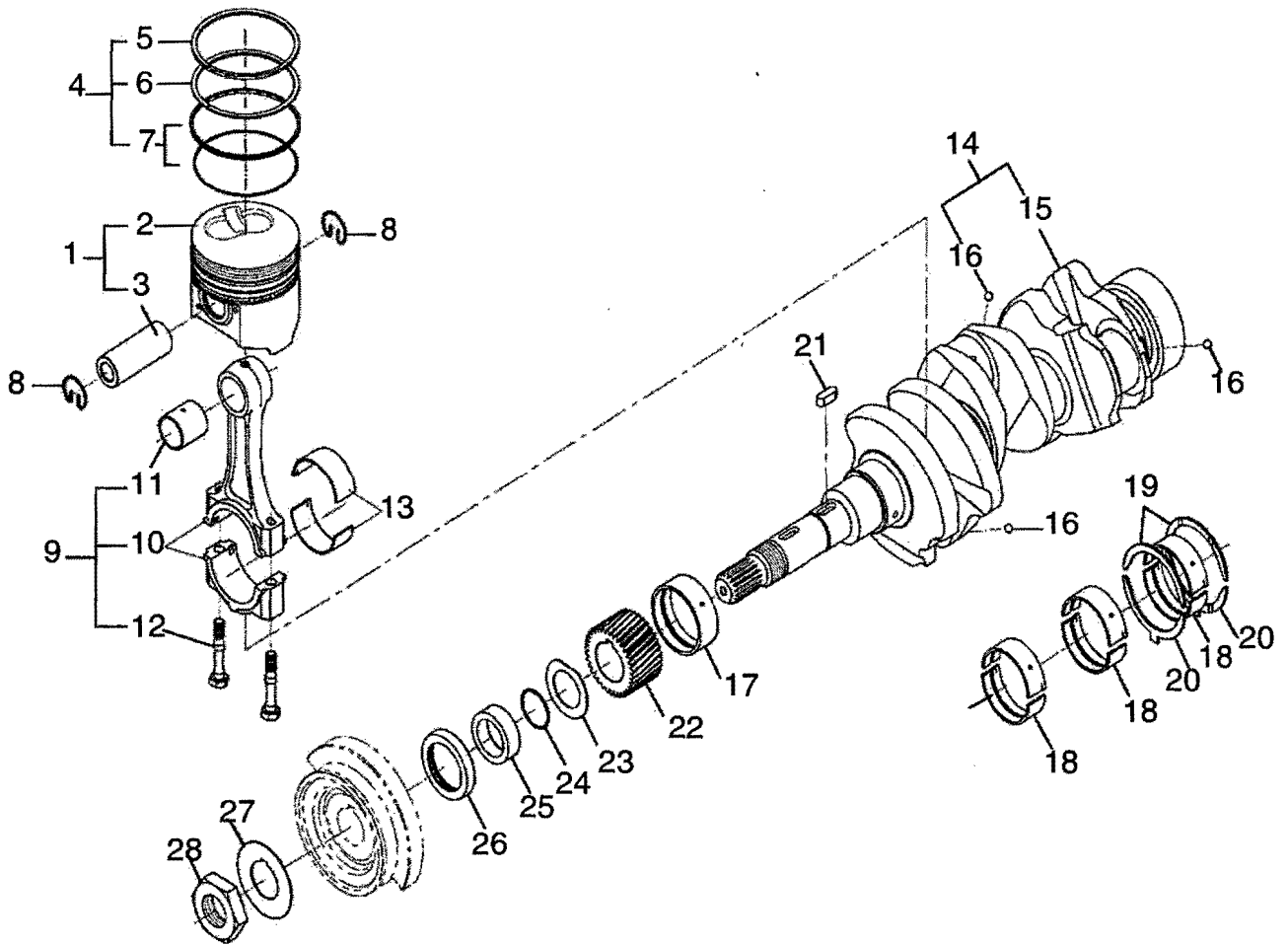
CRANKCASE (270 DTC)



CRANKCASE (270 DTC)

<i>ITEM No</i>	<i>PART No.</i>	<i>DESCRIPTION</i>	<i>QTY.</i> 270 DTC
1	LG5456	Piston Assembly	3
2	LG5457	Piston	3
3	LG4995	Piston Pin	3
4	LG5458	Piston Ring Assembly	3
5	LG5459	Piston Ring 1	3
6	LG5460	Piston Ring 2	3
7	LG5461	Oil Ring Assembly	3
8	LG4794	Cir-Clip	6
9	LG4795	Connecting Rod Assembly	3
10	LG4796	Connecting Rod	3
11	LG4797	Piston Pin Bushing	3
12	LG4798	Connecting Rod Bolt	6
13	LG4486	Crank Pin Metal	6
14	LG5462	Crank Shaft Assembly	1
15	LG5463	Crankshaft	1
16	LG4776	Plug	3
17	LG4478	Crankshaft Metal 1	1
18	LG4479	Crankshaft Metal 2	6
19	LG4499	Side Metal 1	2
20	LG4501	Side Metal 2	2
21	LG4778	Key	1
22	LG4803	Crankshaft Gear	1
23	LG4804	Oil Slinger	1
24	LG4805	O-Ring	1
25	LG5464	Crankshaft Collar	1
26	LG4470	Seal, Oil	1
27	LG4808	Crankshaft Washer	1
28	LG4807	Crankshaft Nut	1

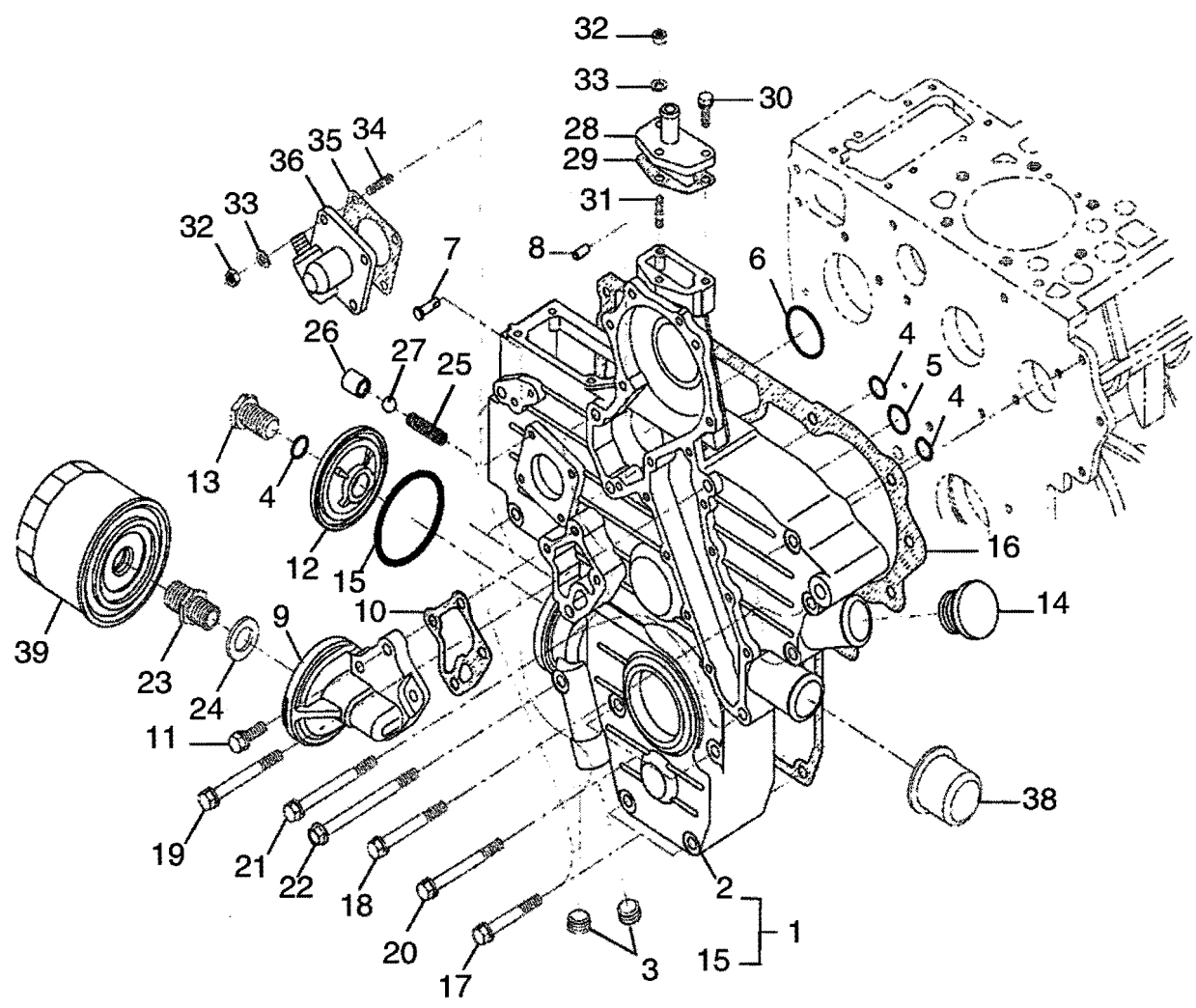
CRANKCASE (320 DTC)



CRANKCASE (320 DTC)

<i>ITEM No</i>	<i>PART No.</i>	<i>DESCRIPTION</i>	<i>QTY.</i> 320 DTC
1	LG4491	Piston Assembly	3
2	LG4789	Piston	3
3	LG4995	Piston Pin	3
4	LG4492	Piston Ring Assembly	3
5	LG4791	Piston Ring 1	3
6	LG4792	Piston Ring 2	3
7	LG4793	Oil Ring Assembly	3
8	LG4794	Cir-Clip	6
9	LG4795	Connecting Rod Assembly	3
10	LG4796	Connecting Rod	3
11	LG4797	Bush	3
12	LG4798	Connecting Rod Bolt	6
13	LG4486	Crank Pin Metal	6
14	LG5462	Crank Shaft Assembly	1
15	LG5463	Crankshaft	1
16	LG4801	Steel Ball	3
17	LG4478	Crankshaft Metal 1	1
18	LG4479	Crankshaft Metal 2	6
19	LG4499	Side Metal 1	2
20	LG4501	Side Metal 2	2
21	LG4778	Key	1
22	LG4803	Crankshaft Gear	1
23	LG4804	Oil Slinger	1
24	LG4805	O-Ring	1
25	LG5464	Crankshaft Collar	1
26	LG4470	Oil Seal	1
27	LG4808	Crankshaft Washer	1
28	LG4807	Crankshaft Nut	1

TIMING GEAR CASE

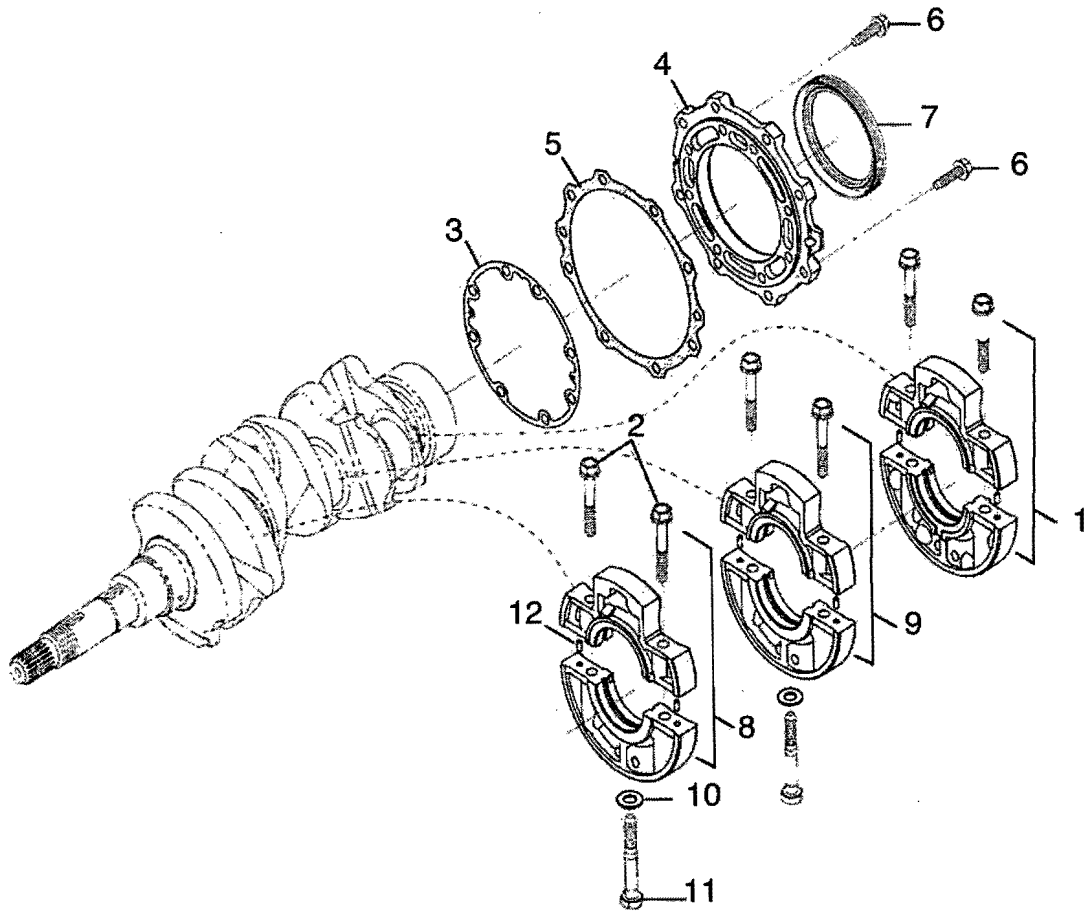


TIMING GEAR CASE

ITEM No	PART No.	DESCRIPTION	QTY.	
			270 DTC	320 DTC
1	LG5465	Gearcase Assembly	1	1
2	LG5466	Gearcase	1	1
3	LG5467	Plug	2	2
4	LG4711	O-Ring	3	3
5	LG4712	O-Ring	1	1
6	LG4713	O-Ring	1	1
7	LG4714	Start Spring Pin	1	1
8	LG4675	Straight Pin	2	2
9	LG5468	Oil Filter Support	1	1
10	LG5469	Gasket	1	1
11	LG5470	Bolt w/Washer	3	3
12	LG5471	Cover	1	1
13	LG5472	Cover Bolt	1	1
14	LG5477	Oil Plug	1	1
15	LG5473	O-Ring	1	1
16	LG5474	Gasket, Gearcase	1	1
17	LG4716	Bolt w/Washer	3	3
18	LG4717	Bolt w/Washer	3	3
19	LG5475	Bolt w/Washer	1	1
20	LG4718	Bolt w/Washer	3	3
21	LG4719	Bolt w/Washer	3	3
22	LG5476	Flange Bolt	2	2
23	LG4983	Pipe, Joint	1	1
24	LG4722	Washer, Plain	1	1
25	LG4723	Spring	1	1
26	LG4724	Valve Seat	1	1
27	LG4725	Steel Ball	1	1
28	LG4726	Water Return Flange	1	1
29	LG4727	Gasket, Water Flange	1	1
30	LG4609	Bolt w/Washer	2	2
31	LG4570	Stud	1	1
32	LG4614	Nut	5	5
33	LG4572	Washer, Spring	5	5
34	LG4729	Stud	4	4
35	LG4728	Gasket, Hour Meter Unit	1	1
36	LG4466	Assembly, Hour Meter	1	1
37	LG4572	Washer, Spring	4	4
38	LG5478	Water Pipe Cover	1	1
39	LG4481	Oil Filter	1	1

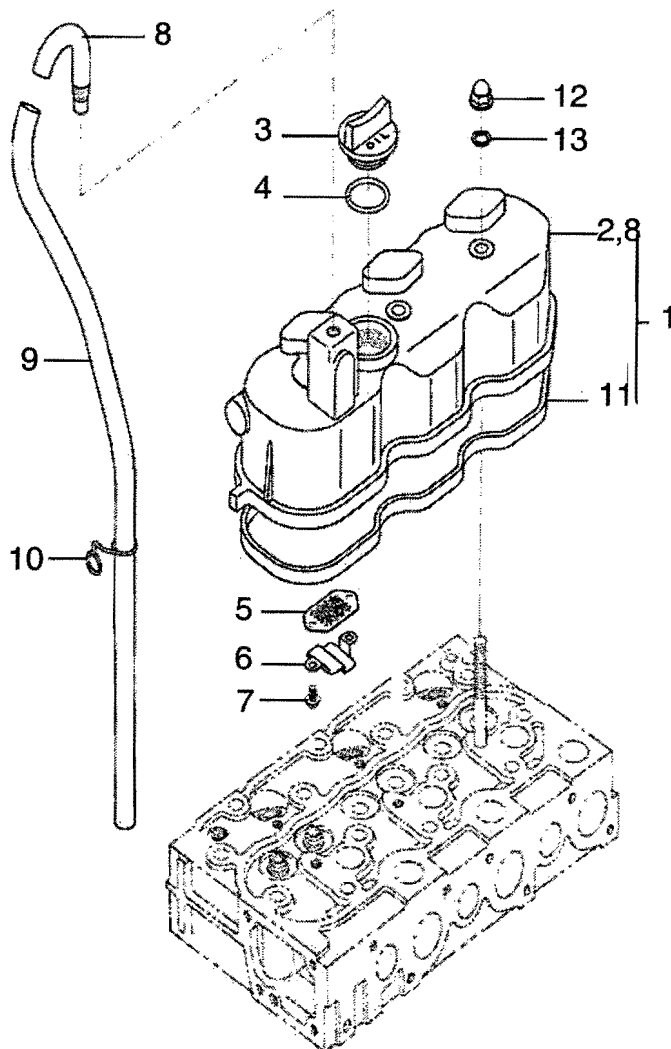
MAIN BEARING CASE

ITEM No	PART No.	DESCRIPTION	QTY.	
			270 DTC	320 DTC
1	LG4984	Main Bearing Case Assembly 3	1	1
2	LG4731	Bearing Case Bolt 1	6	6
3	LG4484	Gasket, Bearing Case	1	1
4	LG4732	Bearing Case Cover	1	1
5	LG4485	Bearing Case Cover Gasket, Main	1	1
6	LG4733	Flange Bolt w/Pin	16	16
7	LG4985	Seal, Oil	1	1
8	LG4986	Main Bearing Case Assembly 1	1	1
9	LG4987	Main Bearing Case Assembly 2	1	1
10	LG4737	Washer	2	2
11	LG4736	Bearing Case Bolt 2	2	2
12	LG4673	Straight Pin	6	6



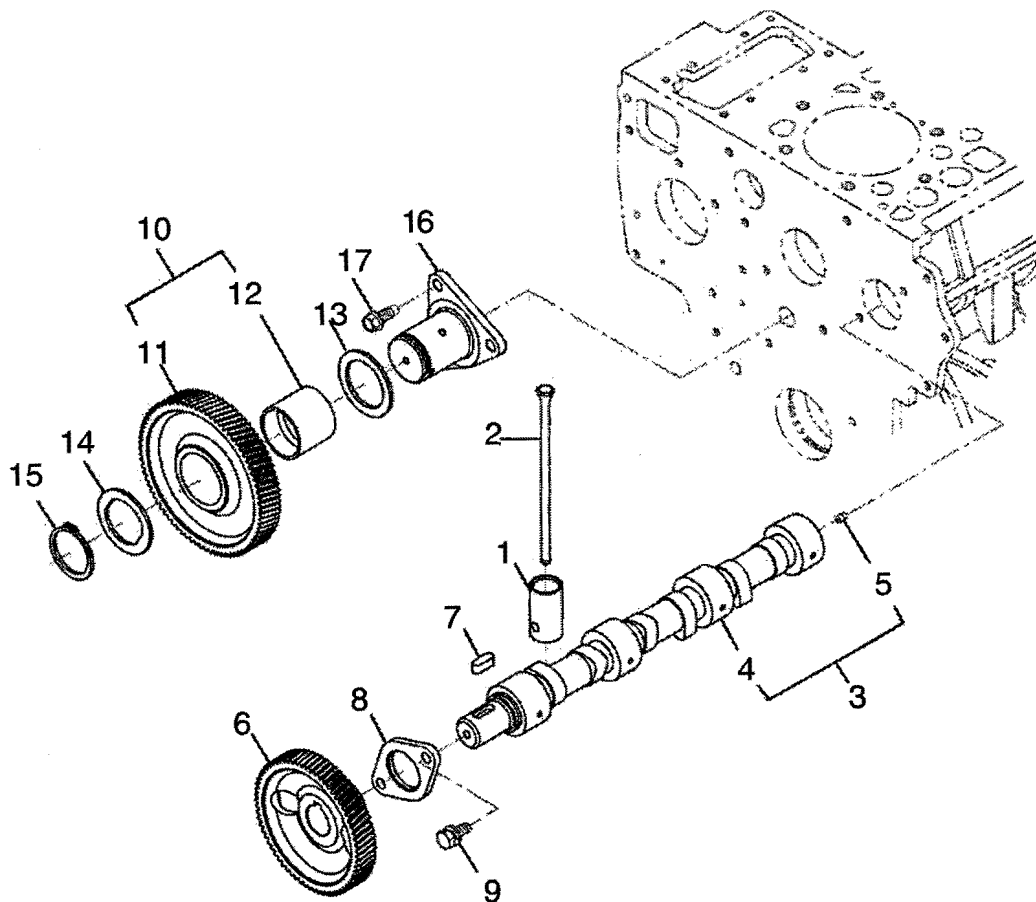
CYLINDER HEAD COVER

ITEM No	PART No.	DESCRIPTION	QTY.	
			270 DTC	320 DTC
1	LG4989	Cylinder Head Cover Assembly	1	1
2	LG4990	Cylinder Head Cover	1	1
3	LG4991	Oil Filler Plug	1	1
4	LG4761	O-Ring	1	1
5	LG4762	Element Plate	1	1
6	LG4763	Breather Oil Shield	1	1
7	LG4764	Screw,w/Washer	2	2
8	LG4765	Breather Pipe Joint	1	1
9	LG4766	Breather Pipe	1	1
10	LG4767	Pipe Clamp	1	1
11	LG4992	Gasket, Head Cover	1	1
12	LG4993	Cap Nut	3	3
13	LG4770	Gasket	3	3



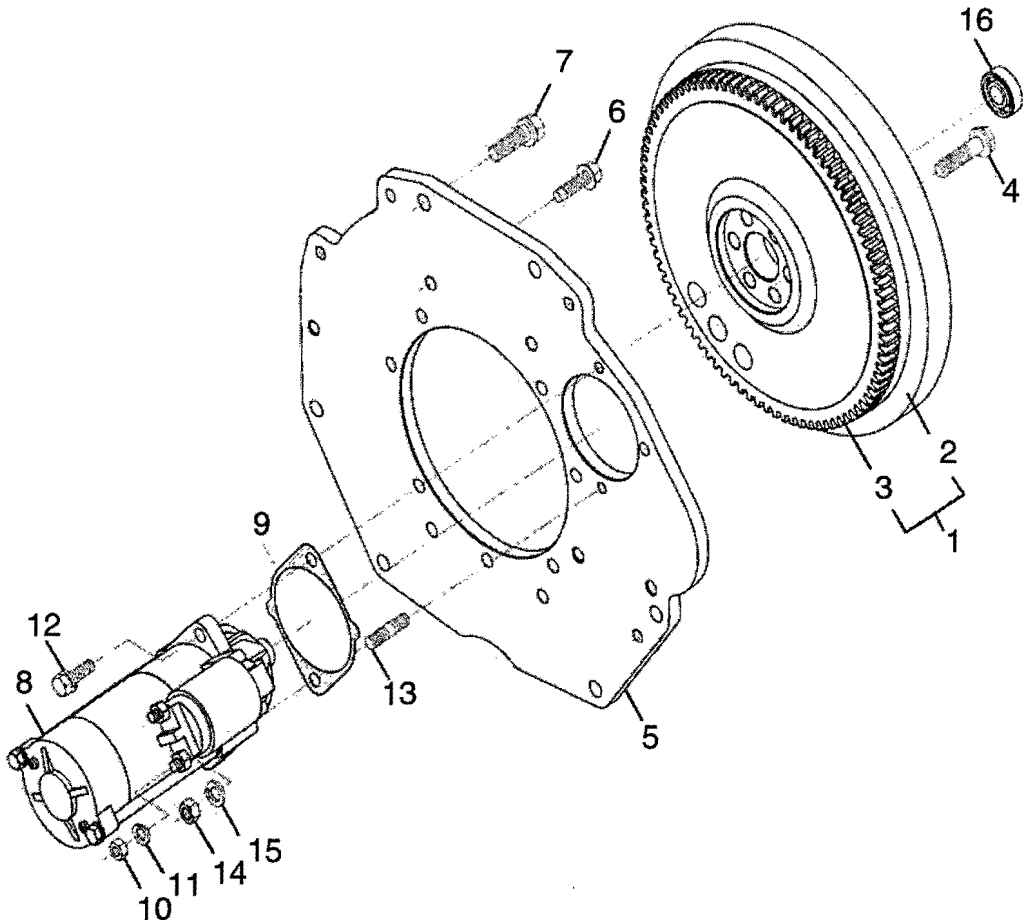
CAMSHAFT

ITEM No	PART No.	DESCRIPTION	QTY.	
			270 DTC	320 DTC
1	LG4772	Tappet	6	6
2	LG4773	Push Rod	6	6
3	LG4994	Camshaft Assembly	1	1
4	LG4775	Camshaft	1	1
5	LG4776	Plug	2	2
6	LG4777	Camshaft Gear	1	1
7	LG4778	Key	1	1
8	LG4779	Camshaft Stopper	1	1
9	LG4780	Bolt w/Washer	2	2
10	LG4781	Idle Gear Assembly	1	1
11	LG4782	Idle Gear	1	1
12	LG4783	Idle Gear Bushing	1	1
13	LG4784	Collar 1	1	1
14	LG4785	Collar 2	1	1
15	LG4786	Circlip	1	1
16	LG4787	Idle Gear Shaft	1	1
17	LG4692	Flange Bolt w/Pin	3	3

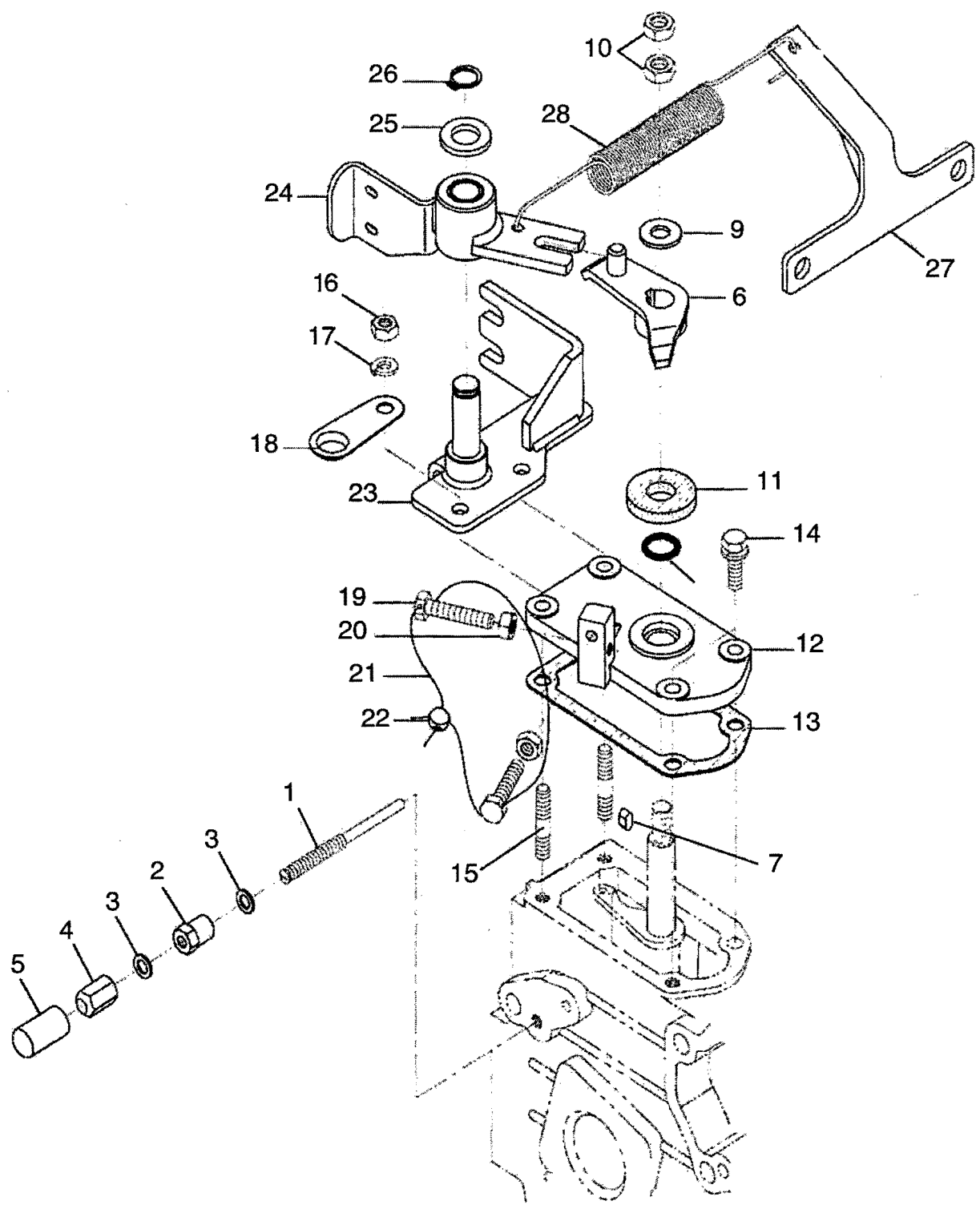


FLYWHEEL (SINGLE CLUTCH)

ITEM No	PART No.	DESCRIPTION	QTY.	
			270 DTC	320 DTC
1	LG5479	Flywheel Assembly	1	1
2	LG5480	Flywheel	1	1
3	LG4811	Ring Gear	1	1
4	LG4999	Flywheel Bolt	6	6
5	LG5481	Rear End Plate	1	1
6	LG4688	Flange Bolt w/Pin	11	11
7	LG5001	Bolt w/Washer	2	2
8	LG4494	Starter Assembly	1	1
9	LG4477	Gasket	1	1
10	LG4564	Nut	1	1
11	LG4565	Spring Washer	1	1
12	LG5002	Bolt w/Washer	1	1
13	LG4822	Stud	1	1
14	LG4755	Nut	1	1
15	LG4756	Spring Washer	1	1
16	LG4802	Ball Bearing	1	1



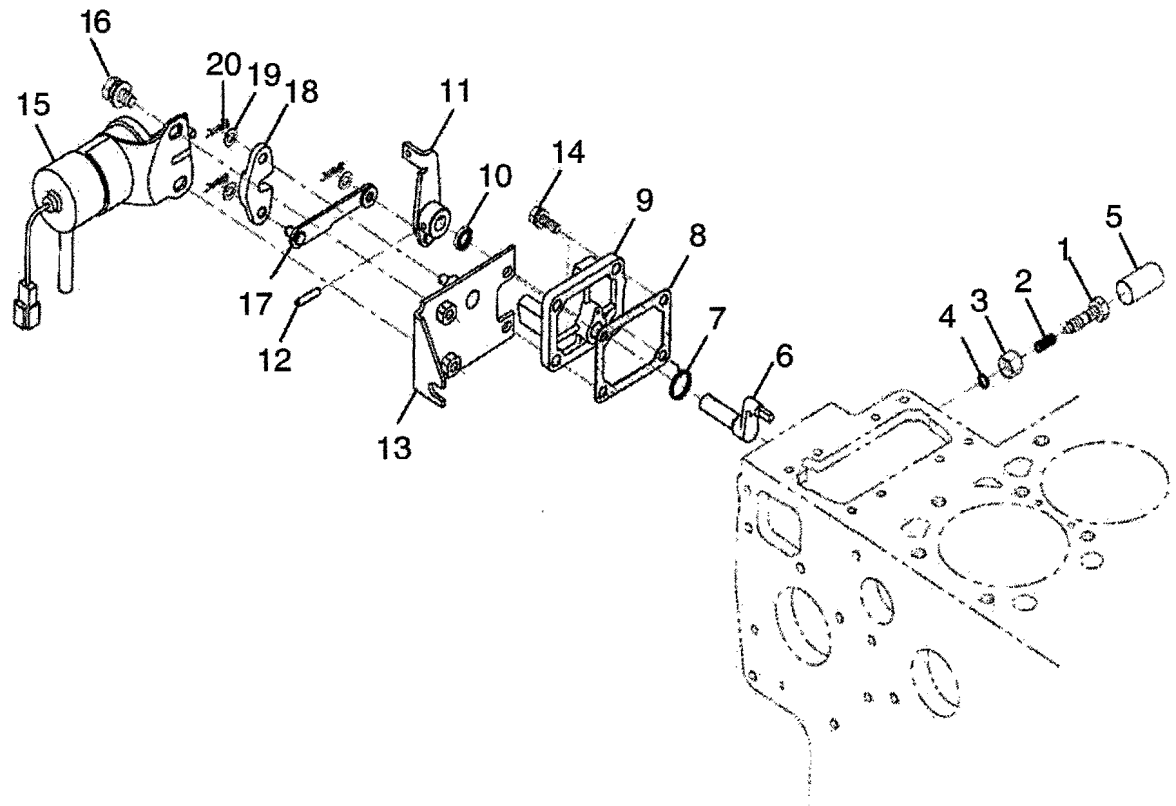
SPEED CONTROL LEVER



SPEED CONTROL LEVER

ITEM NO	PART NO.	DESCRIPTION	QTY.	
			270 DTC	320 DTC
1	LG4596	Adjusting Bolt	1	1
2	LG5485	Nut	1	1
3	LG5486	Gasket	2	2
4	LG5487	Cap Nut	1	1
5	LG5488	Cap	1	1
6	LG5013	Speed Control Lever	1	1
7	LG4602	Key	1	1
8	LG4603	O-Ring, Control Plate	1	1
9	LG4604	Washer, Plain	1	1
10	LG4605	Nut	2	2
11	LG4606	Friction Plate	1	1
12	LG5489	Speed Control Plate	1	1
13	LG5490	Gasket	1	1
14	LG4609	Bolt w/Washer	2	2
15	LG4610	Stud	2	2
16	LG4614	Nut	2	2
17	LG4572	Washer, Spring	2	2
18	LG4617	Clamp, Pipe	1	1
19	LG4613	Stopper	2	2
20	LG4614	Nut	2	2
21	LG4615	Wire	1	1
22	LG4616	Lead, Sealing	1	1
23	LG5491	Accelerator Bracket	1	1
24	LG5492	Accelerator Lever	1	1
25	LG5016	Washer, Plain	1	1
26	LG5017	Snap Ring	1	1
27	LG5018	Spring Bracket	1	1
28	LG5019	Spring		

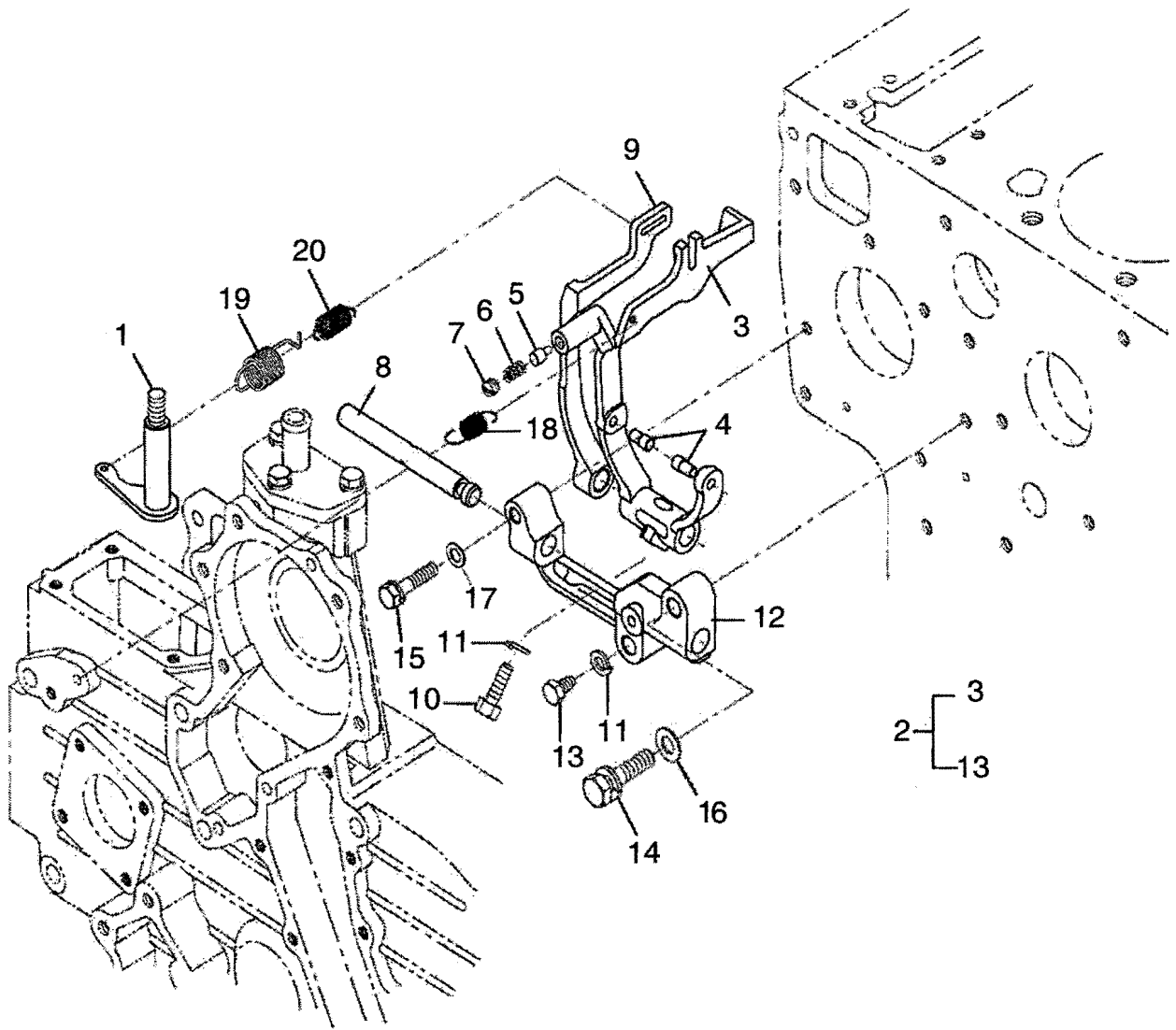
ENGINE STOP LEVER



ENGINE STOP LEVER

ITEM No	PART No.	DESCRIPTION	QTY.	
			270 DTC	320 DTC
1	LG4620	Adjusting Bolt	1	1
2	LG4621	Spring	1	1
3	LG4622	Nut	1	1
4	LG4623	O-Ring	1	1
5	LG4624	Cap	1	1
6	LG4969	Shaft, Lever	1	1
7	LG4970	Spring	1	1
8	LG4632	Gasket, Pump Cover	1	1
9	LG4971	Fuel Injection Pump Cover	1	1
10	LG4628	Seal, Oil	1	1
11	LG4630	Engine Stop Lever	1	1
12	LG4631	Spring Pin	1	1
13	LG4972	Solenoid Support	1	1
14	LG4609	Bot w/Washer	4	4
15	LG5493	Stop Solenoid Assembly	1	1
16	LG4973	Bolt w/Washer	2	2
17	LG4974	Stop Lever 1	1	1
18	LG4975	Stop Lever 2	1	1
19	LG4592	Washer, Plain	3	3
20	LG4976	Snap Pin	3	3

GOVERNOR

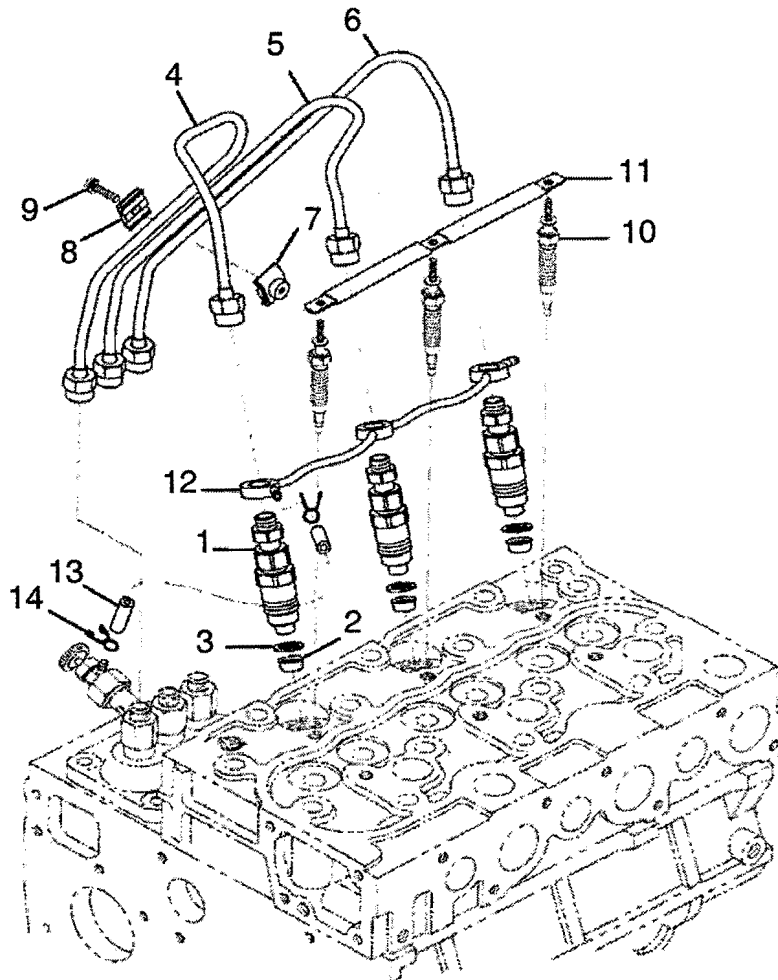


GOVERNOR

<i>ITEM No</i>	<i>PART No.</i>	<i>DESCRIPTION</i>	<i>QTY.</i>	
			<i>270 DTC</i>	<i>320 DTC</i>
1	LG4575	Lever Assembly, Governor	1	1
2	LG4576	Lever Assembly, Fork	1	1
3	LG4578	Lever, Fork 1	1	1
4	LG4579	Pin, Fork Lever	2	2
5	LG4580	Pin, Fuel Restruction	1	1
6	LG4581	Spring	1	1
7	LG4582	Set Screw	1	1
8	LG4583	Shaft, Fork Lever	1	1
9	LG4584	Lever, Fork 2	1	1
10	LG4585	Bolt	1	1
11	LG4572	Washer, Spring	2	2
12	LG4587	Holder, Fork Lever	1	1
13	LG4588	Bolt	1	1
14	LG4589	Bolt w/Washer	2	2
15	LG4590	Bolt w/Washer	1	1
16	LG4591	Washer, Plain	2	2
17	LG4592	Washer, Plain	1	1
18	LG4593	Spring, Start	1	1
19	LG4594	Spring, Governor 1	1	1
20	LG4595	Spring, Governor 2	1	1

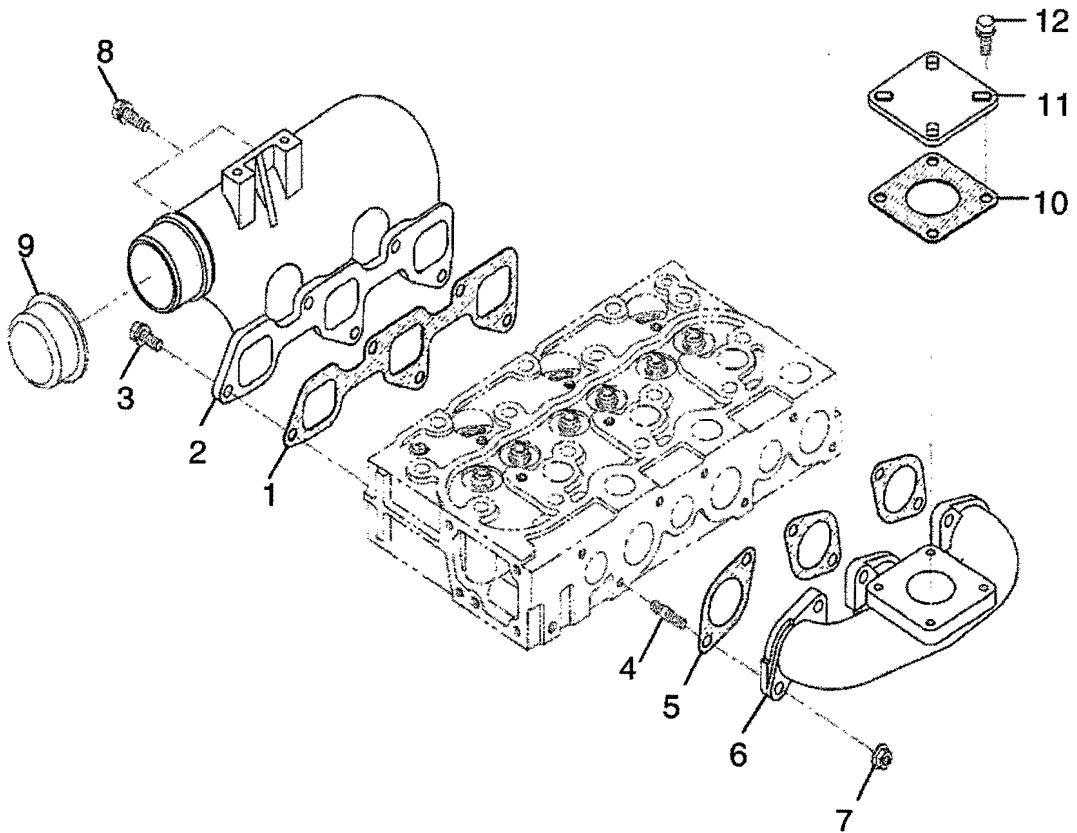
NOZZLE HOLDER

ITEM No	PART No.	DESCRIPTION	QTY.	
			270 DTC	320 DTC
1	LG5484	Nozzle Holder Assembly	3	3
2	LG4488	Seal, Nozzles	3	3
3	LG4825	Gasket, Nozzle	3	3
4	LG4826	Injection Pipe 1	1	1
5	LG4827	Injection Pipe 2	1	1
6	LG4828	Injection Pipe 3	1	1
7	LG4829	Pipe Clamp 1	2	2
8	LG4830	Pipe Clamp	2	2
9	LG4831	Screw w/Washer	2	2
10	LG4493	Glow Plug	3	3
11	LG4832	Glow Plug Cord	1	1
12	LG4476	Assembly, Overflow Pipe	1	1
13	LG4833	Fuel Tube	1	1
14	LG4834	Pipe Clamp	2	2



MANIFOLD

ITEM No	PART No.	DESCRIPTION	QTY.	
			270 DTC	320 DTC
1	LG4475	Intake Manifold Gasket	1	1
2	LG4865	Intake Manifold	1	1
3	LG4562	Bolt w/Washer	5	5
4	LG4563	Stud	6	6
5	LG4489	Exhaust Manifold Gasket	3	3
6	LG5506	Exhaust Manifold	1	1
7	LG4868	Nut, Flange	6	6
8	LG5470	Bolt w/Washer	2	2
9	LG5030	Intake Manifold Cover	1	1
10	LG5507	Muffler Gasket	1	1
11	LG5031	Exhaust Manifold Cover	1	1
12	LG5032	Bolt w/Washer	4	4



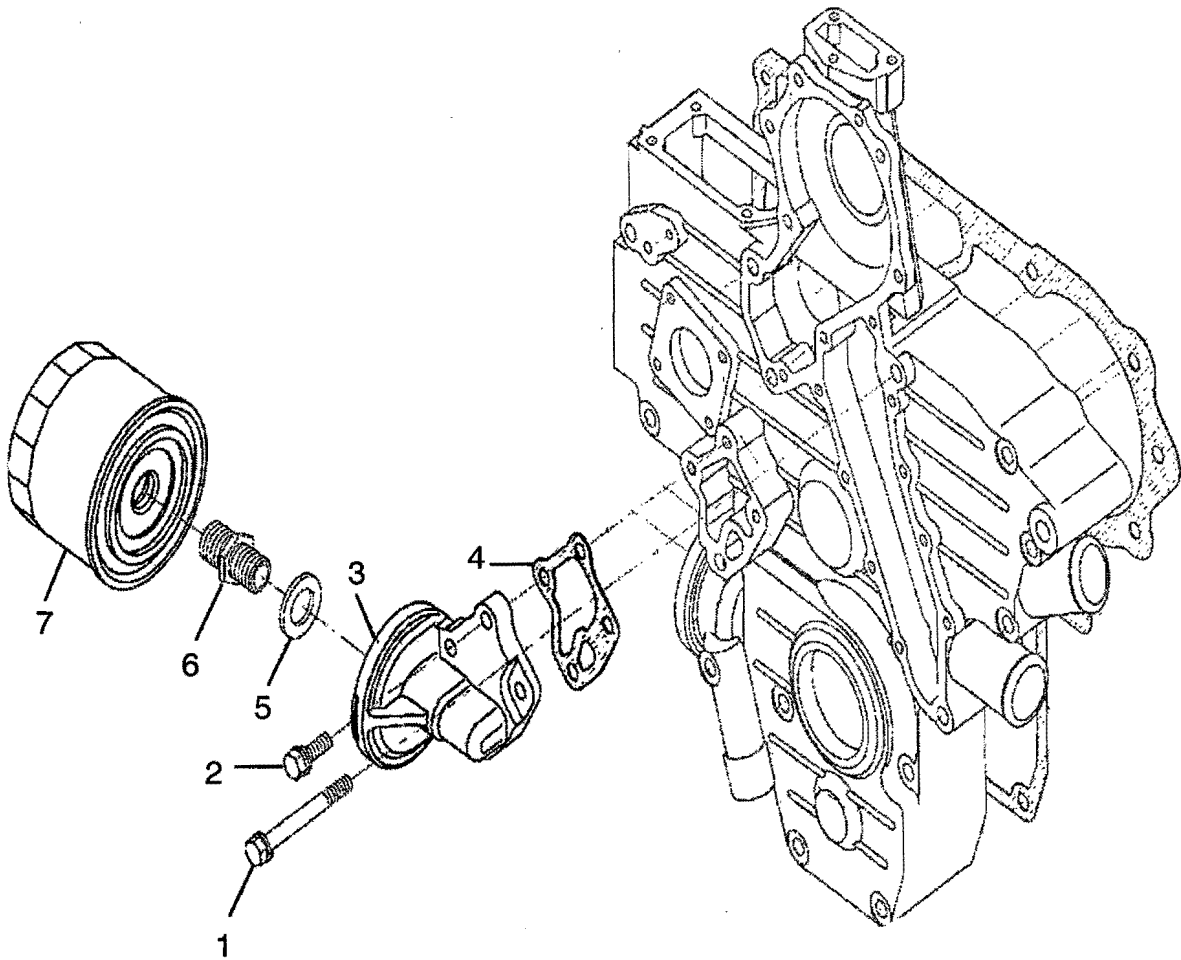
NOTES

OIL SYSTEM



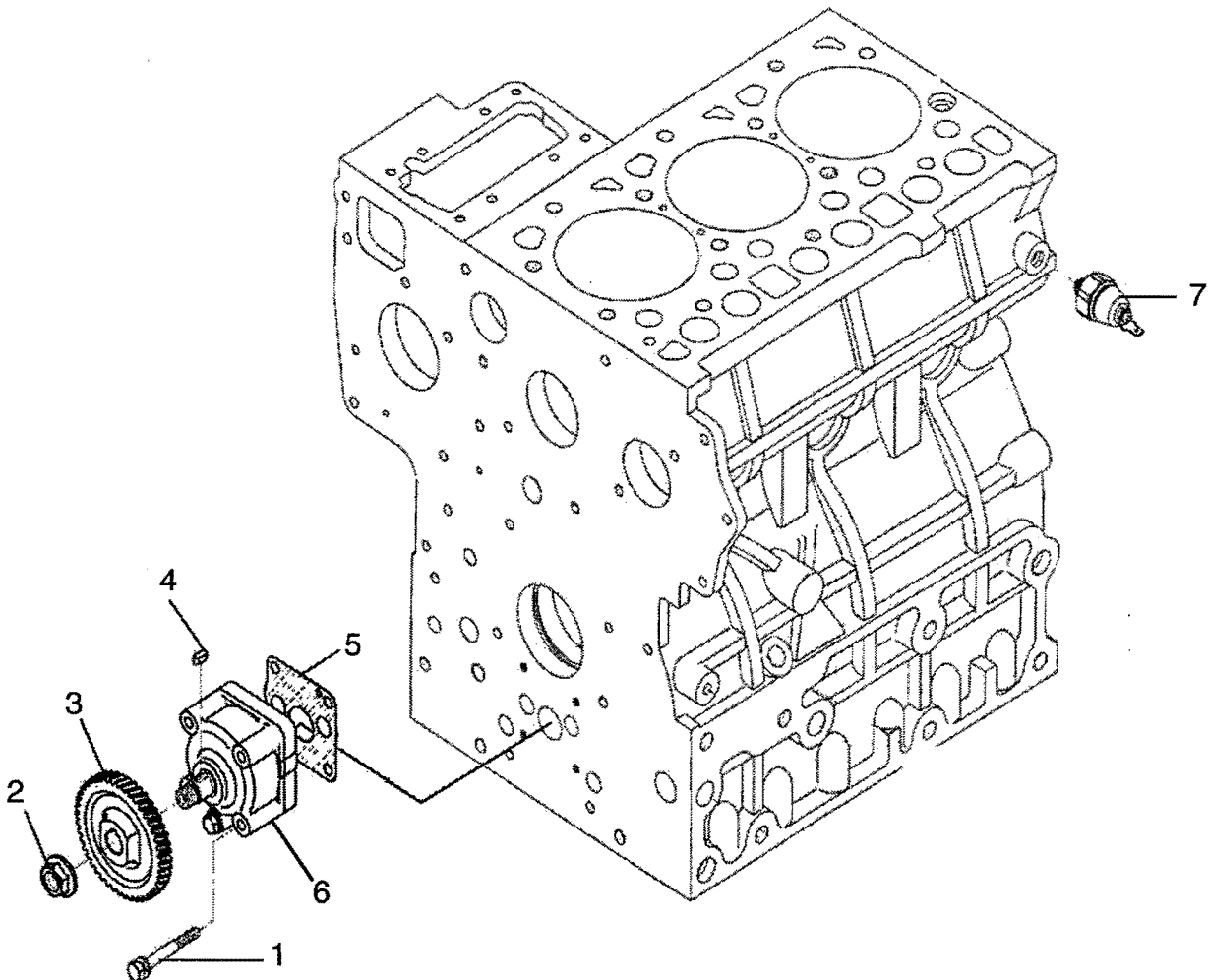
OIL FILTER

ITEM No	PART No.	DESCRIPTION	QTY.	
			270 DTC	320 DTC
1	LG5475	Bolt w/Washer	1	1
2	LG5470	Bolt w/Washer	3	3
3	LG5468	Oil Filter Support	1	1
4	LG5469	Gasket	1	1
5	LG4722	Washer, Plain	1	1
6	LG4983	Pipe, Joint	1	1
7	LG4481	Oil Filter	1	1



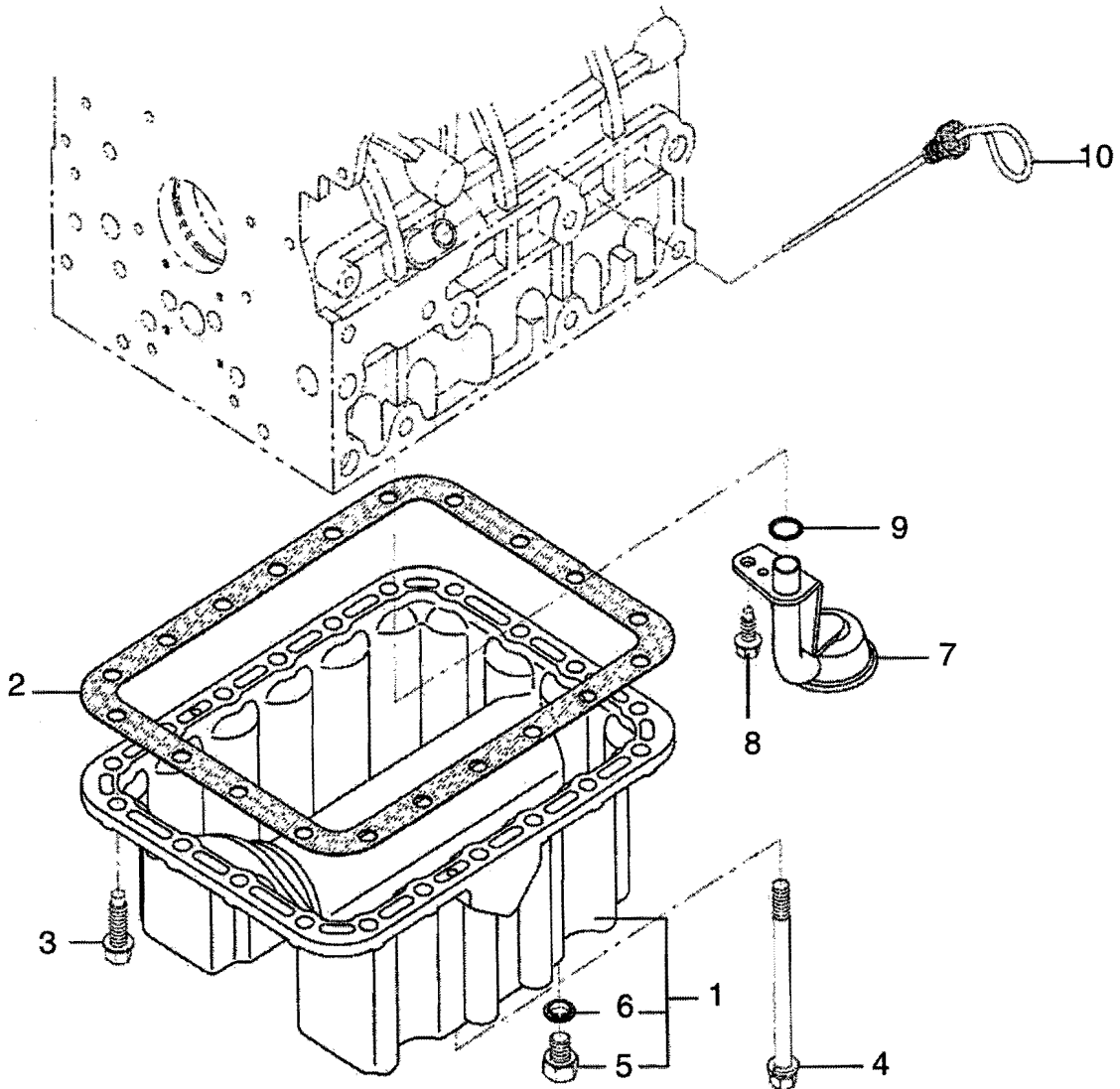
OIL PUMP

ITEM No	PART No.	DESCRIPTION	QTY.	
			270 DTC	320 DTC
1	LG4682	Bolt w/Washer	4	4
2	LG4685	Flange Nut	1	1
3	LG4683	Oil Pump Drive Gear	1	1
4	LG4684	Key	1	1
5	LG4471	Oil Pump Gasket	1	1
6	LG4480	Oil Pump Assembly	1	1
7	LG4472	Oil Switch	1	1



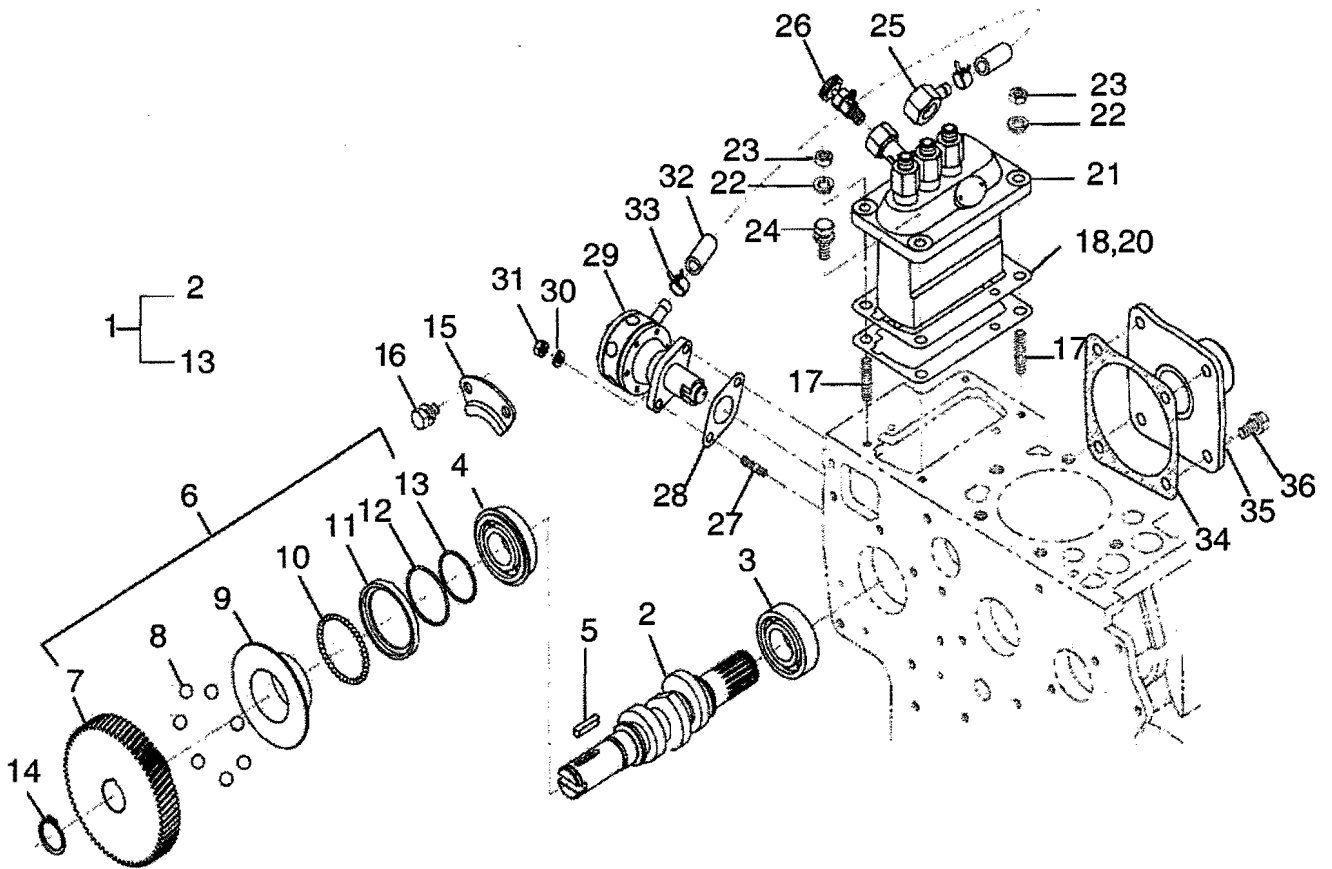
OIL PAN

ITEM No	PART No.	DESCRIPTION	QTY.	
			270 DTC	320 DTC
1	LG5503	Oil Pan Assembly	1	1
2	LG4468	Oil Pan Gasket	1	1
3	LG4688	Flange Bolt w/Pin	18	18
4	LG5504	Bolt w/Washer	2	2
5	LG4689	Plug	2	2
6	LG4690	Seal Washer	2	2
7	LG4691	Oil Filter 1	1	1
8	LG4692	Flange Bolt w/Pin	1	1
9	LG4693	O-Ring	1	1
10	LG5505	Oil Gauge	1	1



FUEL SYSTEM

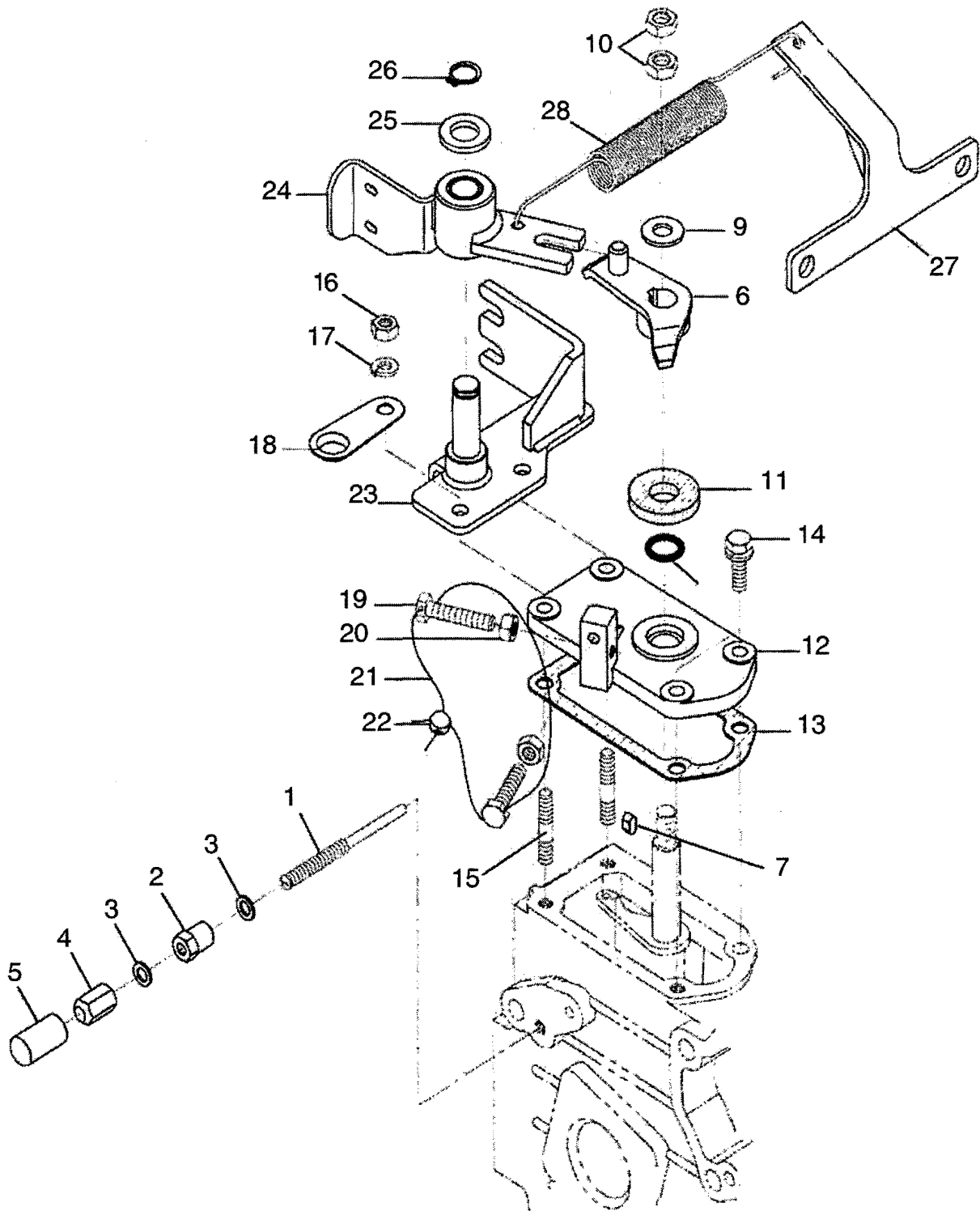
FUEL CAMSHAFT



FUEL CAMSHAFT

ITEM No	PART No.	DESCRIPTION	QTY.	
			270 DTC	320 DTC
1	LG5003	Fuel Camshaft Assembly	1	1
2	LG5004	Fuel Camshaft	1	1
3	LG4556	Ball Bearing	1	1
4	LG4546	Ball Bearing	1	1
5	LG4548	Key	1	1
6	LG5005	Governor Sleeve Assembly	1	1
7	LG4547	Gear, Injection Pump	1	1
8	LG4555	Steel Ball	7	7
9	LG5006	Governor Sleeve	1	1
10	LG4553	Steel Ball	39	39
11	LG4552	Governor Ball Case	1	1
12	LG4554	CirClip, Ball Case	1	1
13	LG4551	CirClip, Sleeve	1	1
14	LG4549	Circlip	1	1
15	LG5007	Fuel Camshaft Stopper	1	1
16	LG4558	Bolt w/Washer	2	2
17	LG4563	Stud	2	2
18	LG4561	Injection Pump Shim, Injection Pump (.3)	AR	AR
19	LG4560	Injection Pump Shim , Injection Pump (.15)	AR	AR
20	LG5008	Injection Pump Shim 3 (.1)	AR	AR
21	LG4559	Injection Pump Assembly	1	1
22	LG4565	Washer, Spring	2	2
23	LG4564	Nut	2	2
24	LG4562	Bolt w/Washer	2	2
25	LG5009	Fuel Pipe Joint	1	1
26	LG4566	Jet Start Cock Assembly	1	1
27	LG4570	Stud	2	2
28	LG4497	Fuel Pump Gasket	1	1
29	LG4498	Fuel Pump Assembly	1	1
30	LG4572	Washer, Spring	2	2
31	LG4614	Nut	2	2
32	LG4573	Hose, Fuel	1	1
33	LG5010	Clip	2	2
34	LG5011	Fuel Camshaft Cover Gasket	1	1
35	LG5012	Fuel Camshaft Cover	1	1
36	LG4780	Bolt w/Washer	4	4

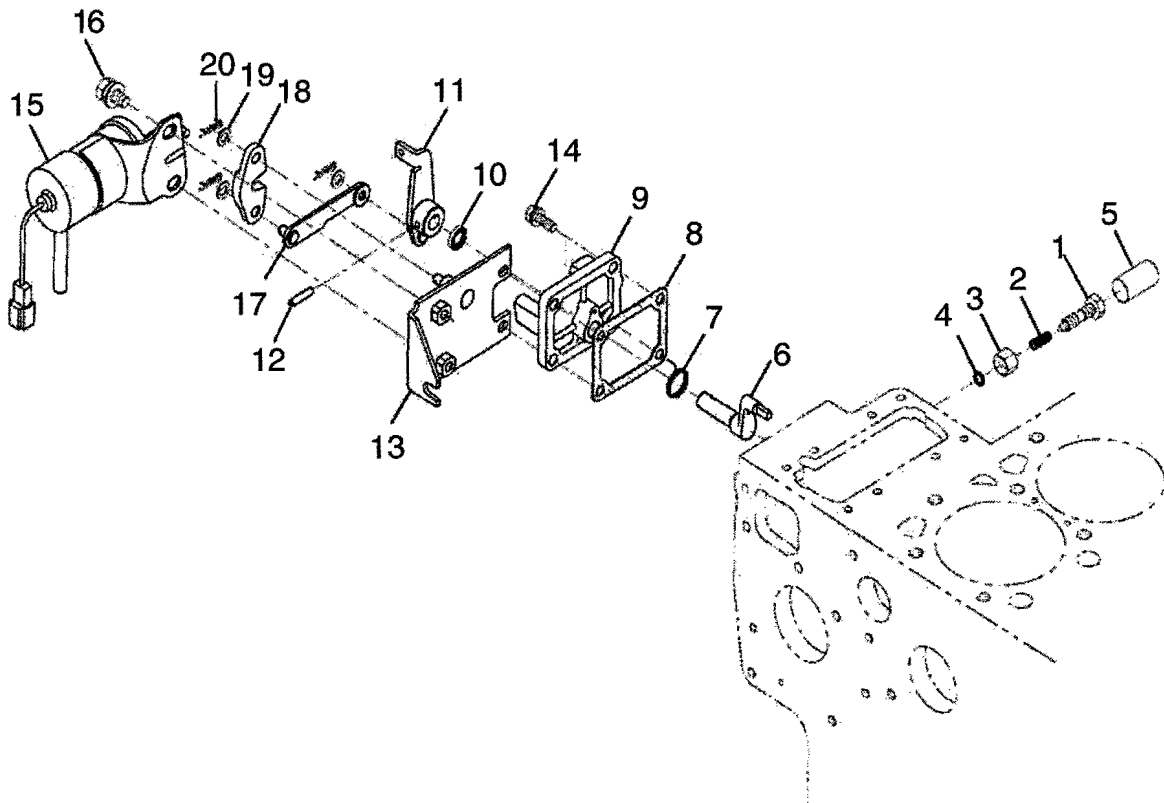
SPEED CONTROL LEVER



SPEED CONTROL LEVER

ITEM No	PART No.	DESCRIPTION	QTY.	
			270 DTC	320 DTC
1	LG4596	Adjusting Bolt	1	1
2	LG5485	Nut	1	1
3	LG5486	Gasket	2	2
4	LG5487	Cap Nut	1	1
5	LG5488	Cap	1	1
6	LG5013	Speed Control Lever	1	1
7	LG4602	Key	1	1
8	LG4603	O-Ring, Control Plate	1	1
9	LG4604	Washer, Plain	1	1
10	LG4605	Nut	2	2
11	LG4606	Friction Plate	1	1
12	LG5489	Speed Control Plate	1	1
13	LG5490	Gasket	1	1
14	LG4609	Bolt w/Washer	2	2
15	LG4610	Stud	2	2
16	LG4614	Nut	2	2
17	LG4572	Washer, Spring	2	2
18	LG4617	Clamp, Pipe	1	1
19	LG4613	Stopper	2	2
20	LG4614	Nut	2	2
21	LG4615	Wire	1	1
22	LG4616	Lead, Sealing	1	1
23	LG5491	Accelerator Bracket	1	1
24	LG5492	Accelerator Lever	1	1
25	LG5016	Washer, Plain	1	1
26	LG5017	Snap Ring	1	1
27	LG5018	Spring Bracket	1	1
28	LG5019	Spring		

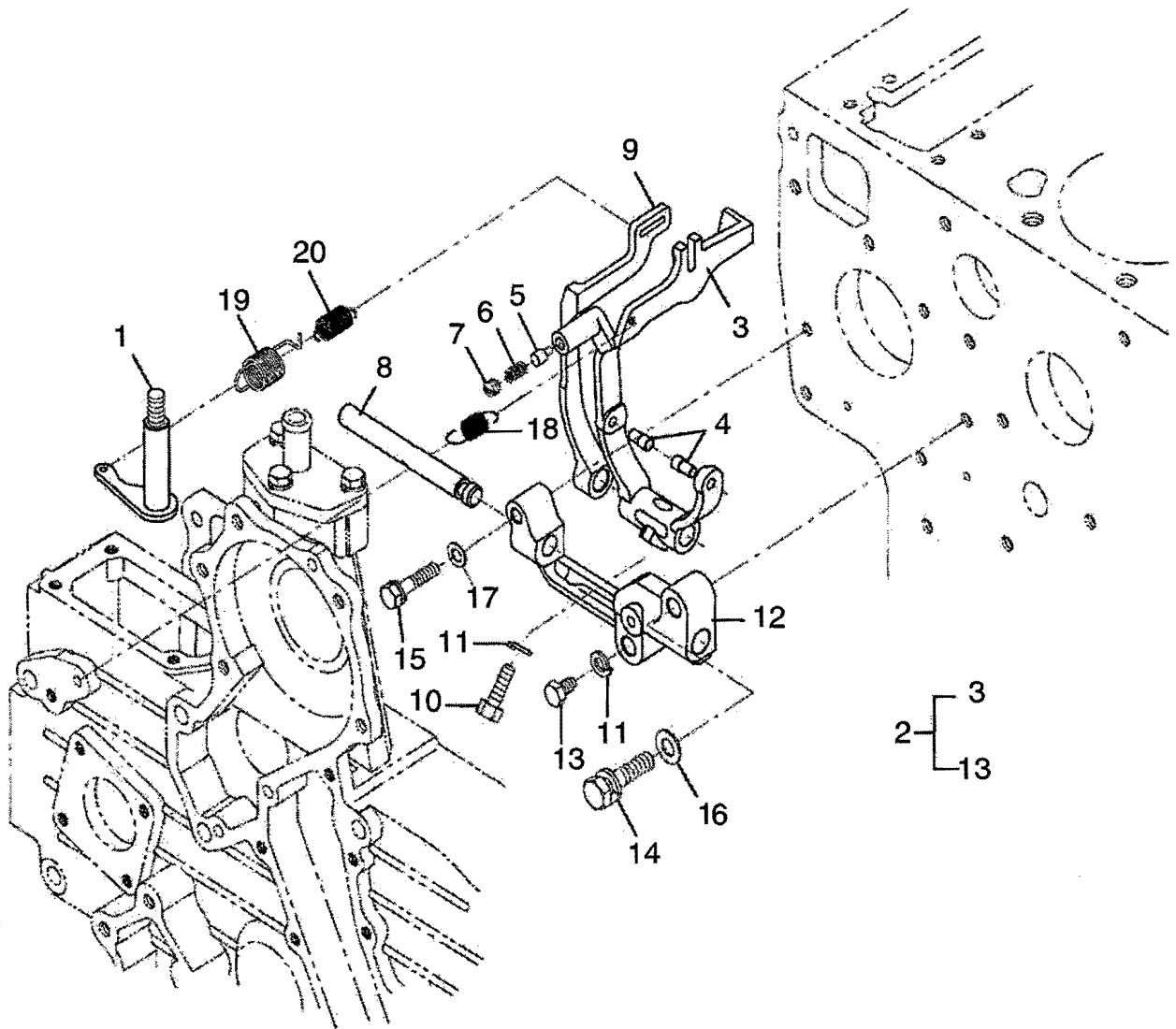
ENGINE STOP LEVER



ENGINE STOP LEVER

ITEM No	PART No.	DESCRIPTION	QTY.	
			270 DTC	320 DTC
1	LG4620	Adjusting Bolt	1	1
2	LG4621	Spring	1	1
3	LG4622	Nut	1	1
4	LG4623	O-Ring	1	1
5	LG4624	Cap	1	1
6	LG4969	Shaft, Lever	1	1
7	LG4970	Spring	1	1
8	LG4632	Gasket, Pump Cover	1	1
9	LG4971	Fuel Injection Pump Cover	1	1
10	LG4628	Seal, Oil	1	1
11	LG4630	Engine Stop Lever	1	1
12	LG4631	Spring Pin	1	1
13	LG4972	Solenoid Support	1	1
14	LG4609	Bot w/Washer	4	4
15	LG5493	Stop Solenoid Assembly	1	1
16	LG4973	Bolt w/Washer	2	2
17	LG4974	Stop Lever 1	1	1
18	LG4975	Stop Lever 2	1	1
19	LG4592	Washer, Plain	3	3
20	LG4976	Snap Pin	3	3

GOVERNOR

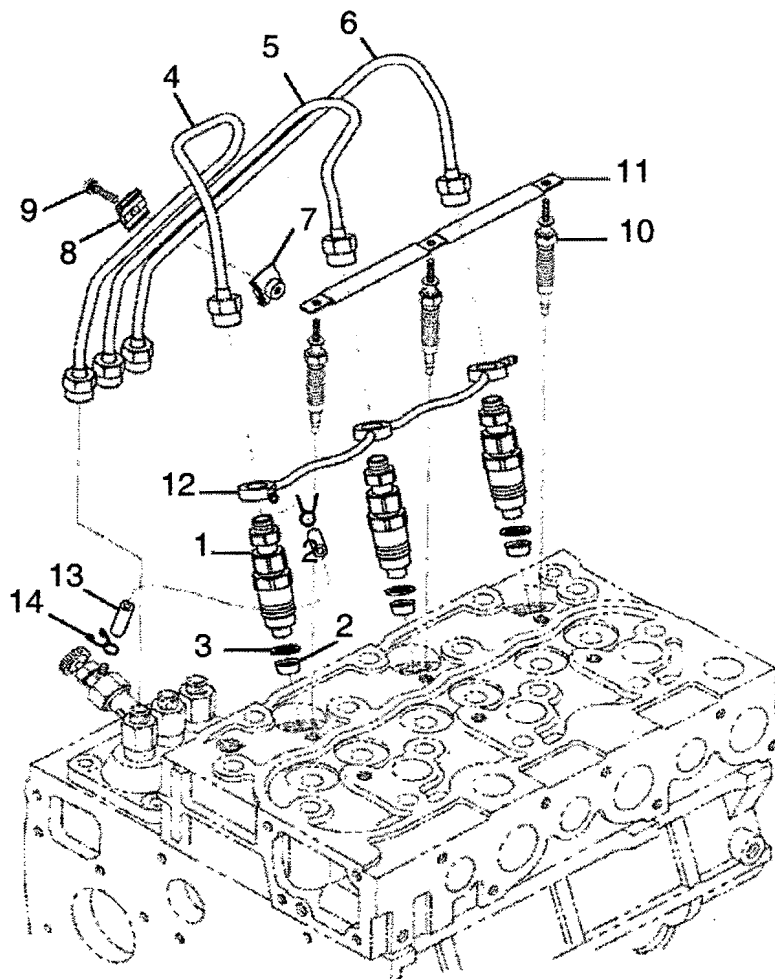


GOVERNOR

<i>ITEM No</i>	<i>PART No.</i>	<i>DESCRIPTION</i>	<i>QTY.</i>	
			<i>270 DTC</i>	<i>320 DTC</i>
1	LG4575	Lever Assembly, Governor	1	1
2	LG4576	Lever Assembly, Fork	1	1
3	LG4578	Lever, Fork 1	1	1
4	LG4579	Pin, Fork Lever	2	2
5	LG4580	Pin, Fuel Restruction	1	1
6	LG4581	Spring	1	1
7	LG4582	Set Screw	1	1
8	LG4583	Shaft, Fork Lever	1	1
9	LG4584	Lever, Fork 2	1	1
10	LG4585	Lever Shaft Bolt	1	1
11	LG4572	Washer, Spring	2	2
12	LG4587	Holder, Fork Lever	1	1
13	LG4588	Bolt	1	1
14	LG4589	Bolt w/Washer	2	2
15	LG4590	Bolt w/Washer	1	1
16	LG4591	Washer, Plain	2	2
17	LG4592	Washer, Plain	1	1
18	LG4593	Spring, Start	1	1
19	LG4594	Spring, Governor 1	1	1
20	LG4595	Spring, Governor 2	1	1

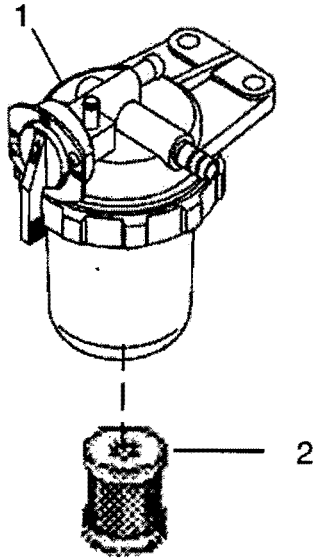
NOZZLE HOLDER

ITEM No	PART No.	DESCRIPTION	QTY.	
			270 DTC	320 DTC
1	LG5484	Nozzle Holder Assembly	3	3
2	LG4488	Heat Seal	3	3
3	LG4825	Gasket	3	3
4	LG4826	Injection Pipe 1	1	1
5	LG4827	Injection Pipe 2	1	1
6	LG4828	Injection Pipe 3	1	1
7	LG4829	Pipe Clamp 1	2	2
8	LG4830	Pipe Clamp	2	2
9	LG4831	Screw w/Washer	2	2
10	LG4493	Glow Plug	3	3
11	LG4832	Glow Plug Cord	1	1
12	LG4476	Overflow Pipe	1	1
13	LG4833	Fuel Tube	1	1
14	LG4834	Pipe Clamp	2	2

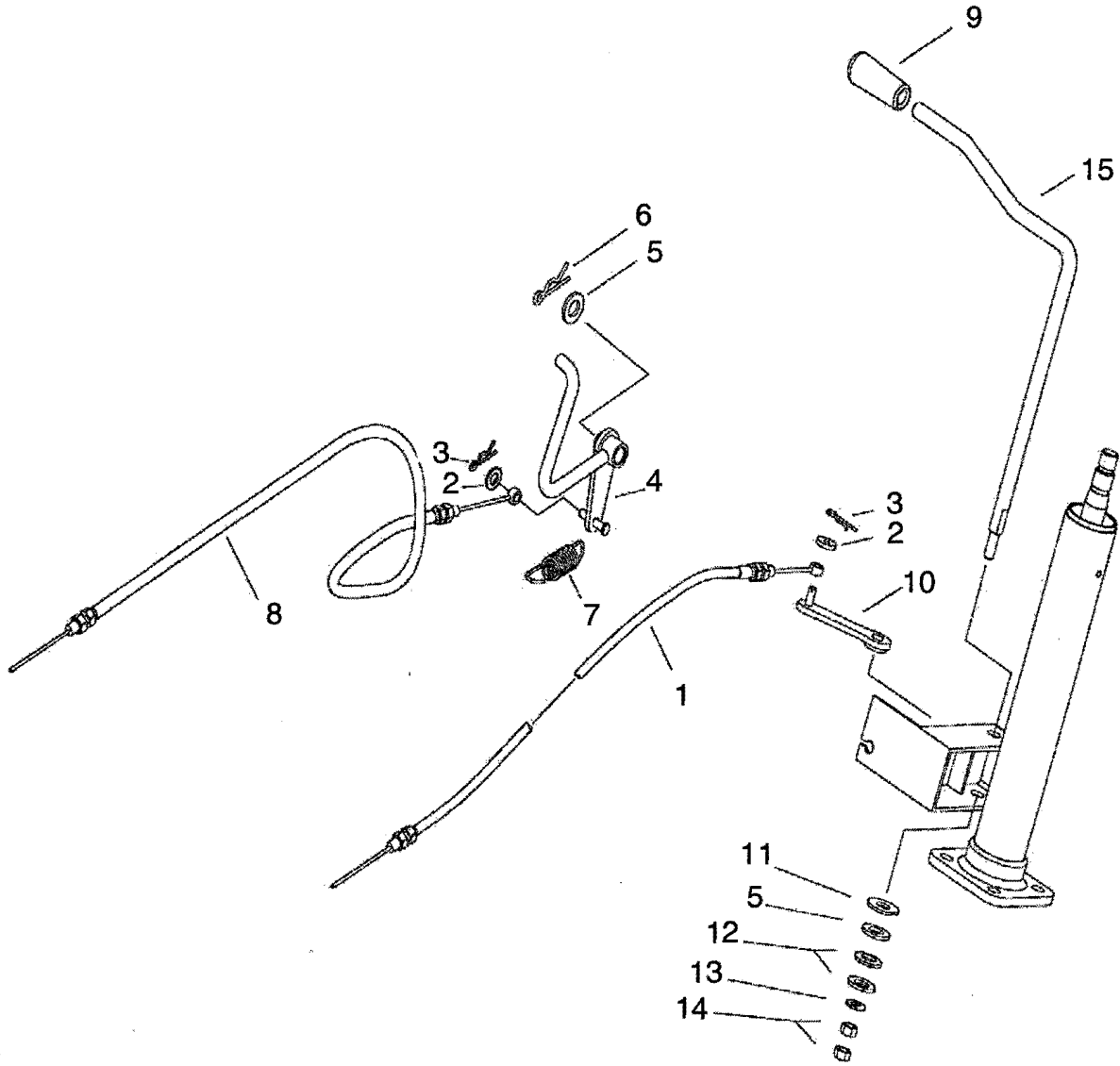


FUEL FILTER

ITEM No	PART No.	DESCRIPTION	QTY.	
			270 DTC	320 DTC
1	LG4495	Fuel Filter Assembly	1	1
2	LG5565	Element (Fuel Filter)	1	1



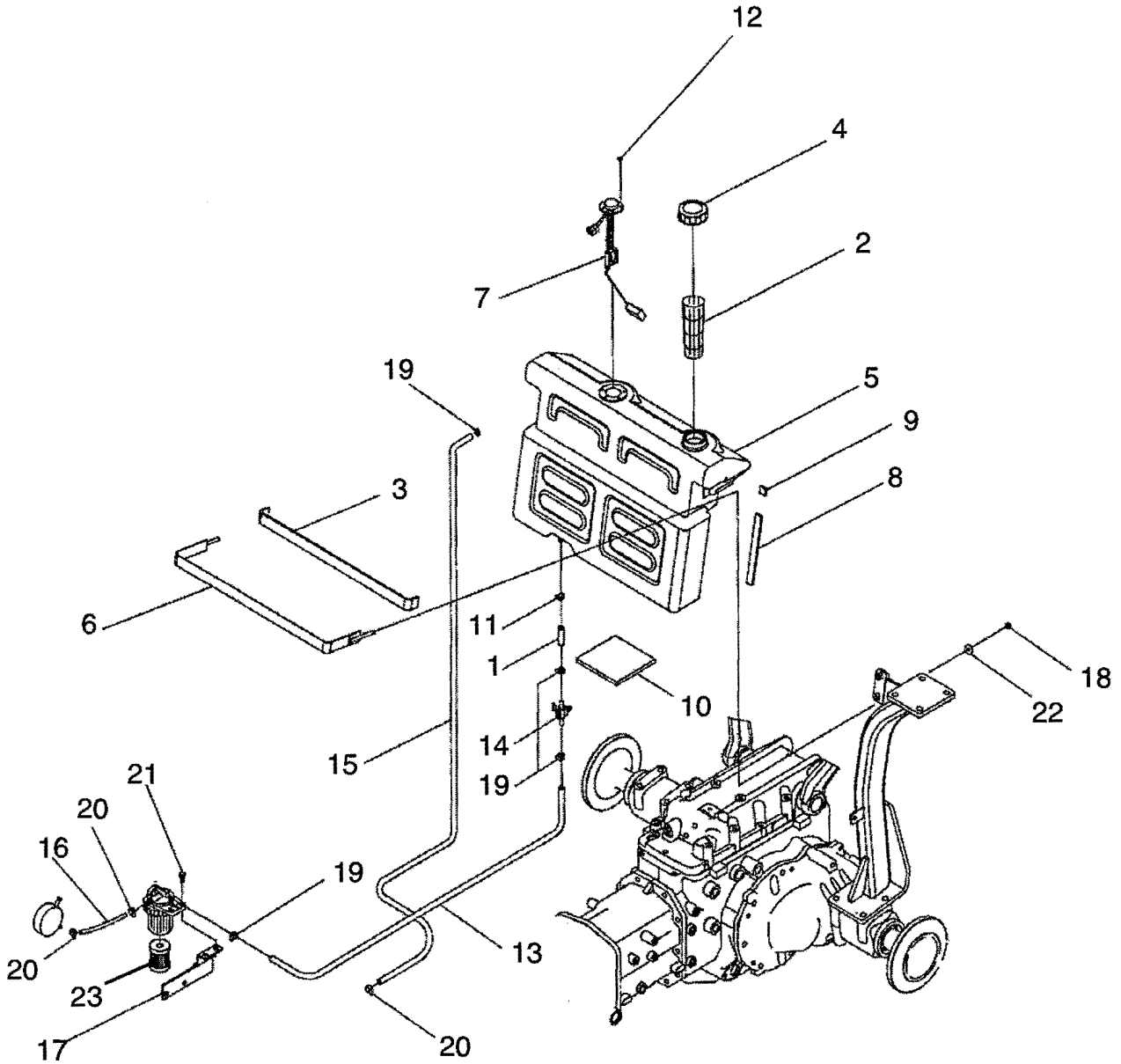
HAND & FOOT THROTTLE



HAND & FOOT THROTTLE

ITEM No	PART No.	DESCRIPTION	QTY.	
			270 DTC	320 DTC
1	LG2072	Wire, Accelerator Lever	1	1
2	LG1891	Washer, Plastic (6x17x3)	2	2
3	500300	Pin,, Cotter (2.5x16)	2	2
4	LG5103	Pedal, Accelerator	1	1
5	N630070S8	Washer, Flat (M12)	2	2
6	LG1872	Pin, Snap	1	1
7	LG1495	Spring, Return	1	1
8	LG5104	Wire, Accelerator Pedal	1	1
9	LG2042	Grip	1	1
10	LG2071	Arm E/G Control	1	1
11	LG2075	Plate, Friction	1	1
12	LG1894	Spring, Plate	2	2
13	N630068S8	Nut, Hex (M8)	1	1
14	N620013S8	Nut, Hex (M8x1.25)	2	2
15	LG2070	Lever, E/G Accelerator	1	1

FUEL TANK & LINES



FUEL TANK & LINES

ITEM No	PART No.	DESCRIPTION	QTY.	
			270 DTC	320 DTC
1-12	LG5431	Fuel Tank Assembly	1	1
1	LG5095	Hose, Fuel	1	1
2	LG1506	Strainer, Fuel Tank	1	1
3	LG3629	Sponge	1	1
4	LG3612	Cap, Fuel Tank	1	1
5	LG5097	Tank, Fuel	1	1
6	LG5098	Band, Fuel Tank	1	1
7	LG5099	Fuel Tank Gauge	1	1
8	LG5100	Sponge, Fuel Tank	2	2
9	LG5101	Sponge, Fuel Tank	2	2
10	LG5102	Sponge, Fuel Tank	1	1
11	LG4205	Clamp, Hose	1	1
12	LG3634	Screw (M5x12)	5	5
13	LG3293	Hose, Fuel	1	1
14	LG3294	Hose, Fuel	1	1
15	LG3511	Valve, Cock	1	1
16	LG5086	Hose, Fuel	1	1
17	LG5563	Bracket, Fuel Filter	1	1
18	LG3623	Hut, Lock (M8x1.25)	1	1
19	LG4205	Clamp, Hose	4	4
20	LG5564	Clamp, Hose	3	3
21	LG1962	Bolt, Hex w/Washer (M8x1.25x25)	2	2
22	LG3636	Washer, Plain	2	2
23	LG5565	Element (Fuel Filter)	1	1

NOTES

270 DTC / 320 DTC

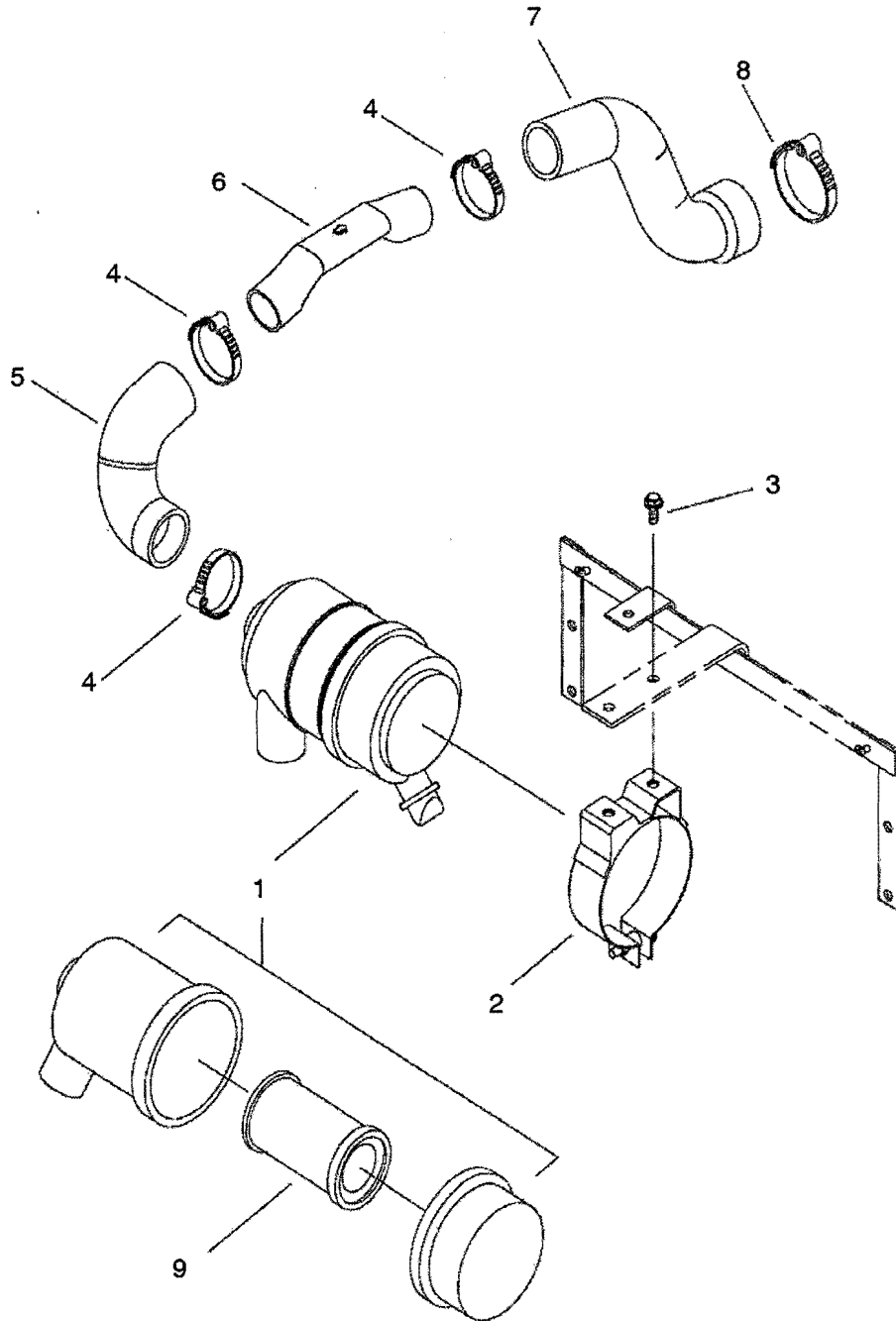
SECTION 6

AIR CLEANER

FARMTRAC

DRIVING TRADITIONS TOMORROW

AIR CLEANER



AIR CLEANER

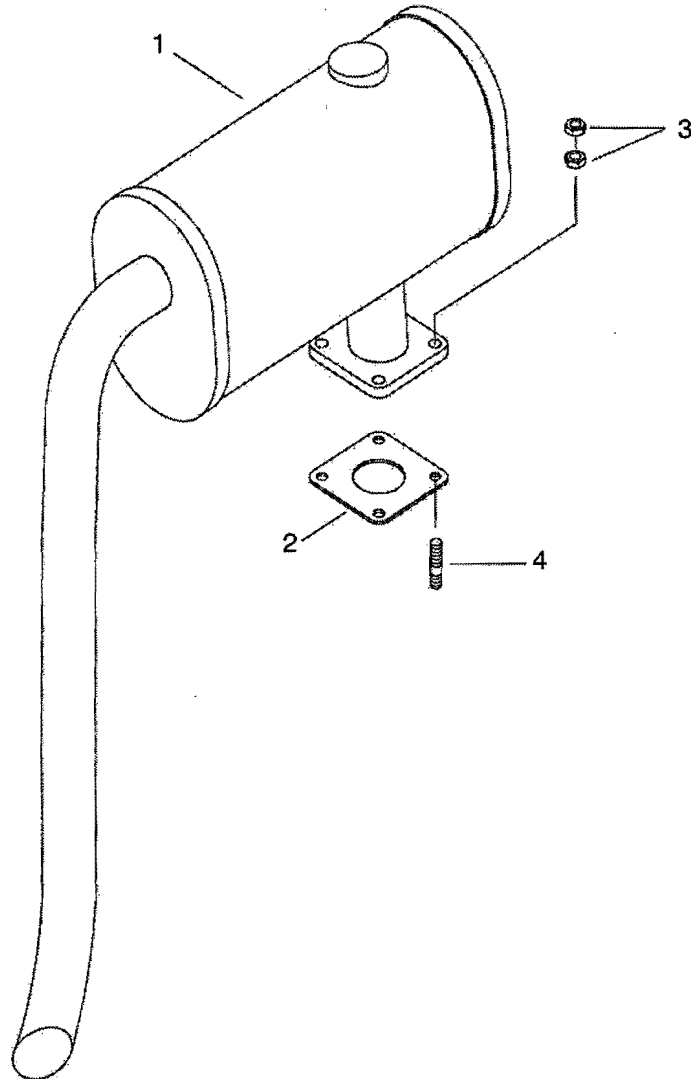
ITEM No	PART No.	DESCRIPTION	QTY.	
			270 DTC	320 DTC
1	LG5110	Air Cleaner Assembly	1	1
2	LG5111	Band, Air Cleaner	1	1
3	LG1897	Bolt, Hex w/Washer (M8x1.25x20)	2	2
4	LG3307	Band, Wire	3	3
5	LG5112	Hose, A Air Intake	1	1
6	LG5113	Pipe, Intermediate	1	1
7	LG5114	Hose, Air Intake	1	1
8	LG3301	Band, Wire	1	1
9	LG5567	Element, Air Filter	1	1

NOTES

EXHAUST SYSTEM

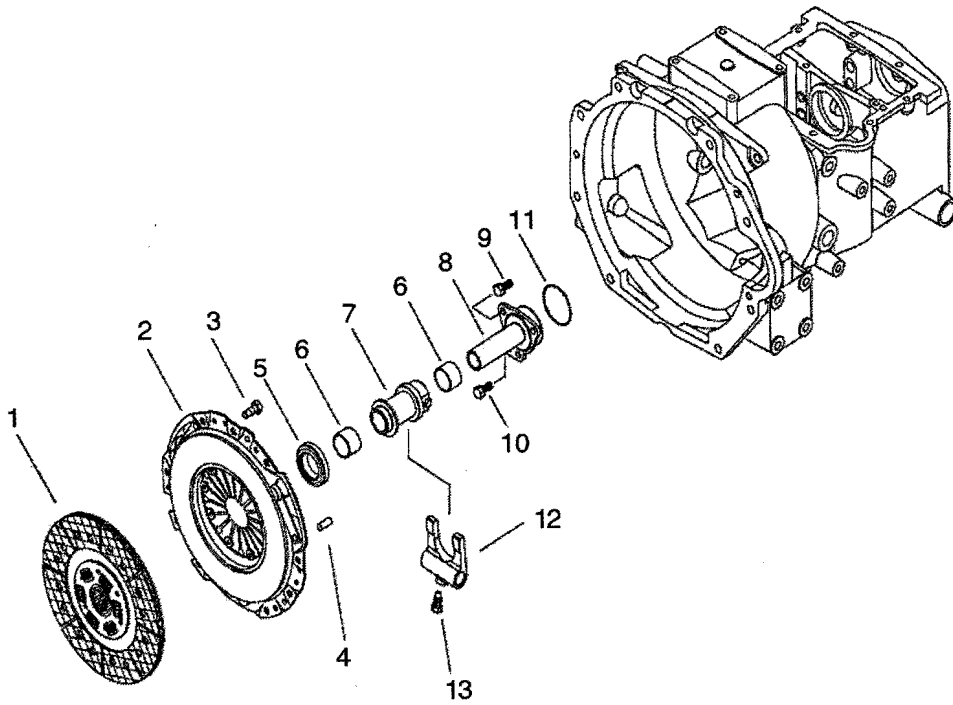
MUFFLER

ITEM No.	PART No.	DESCRIPTION	QTY.	
			270 DTC	320 DTC
1	LG5105	Muffler Assembly	1	1
2	LG4214	Gasket, Muffler	1	1
3	N620013S8	Nut, Hex (M8x1.25)	8	8
4	LG4216	Bolt, Stud (M8x1.25x25)	4	4



CLUTCH

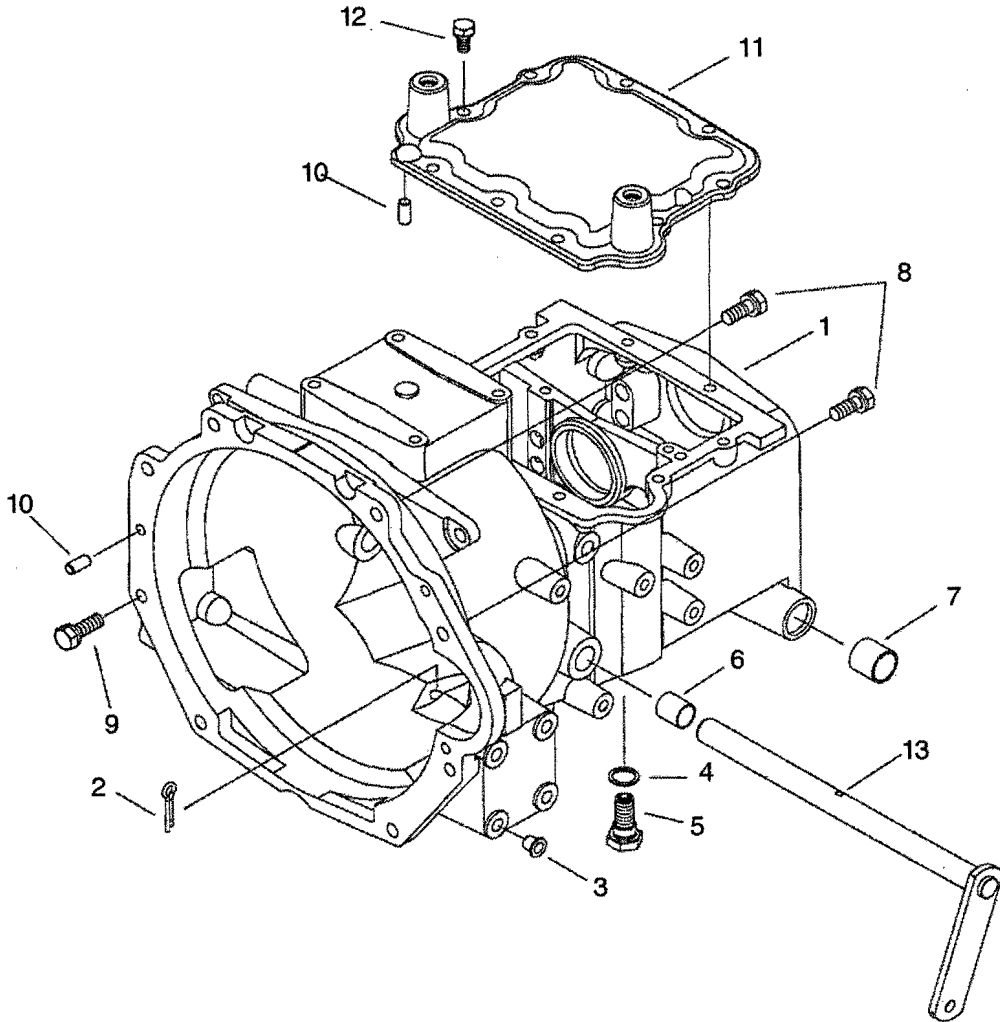
CLUTCH



CLUTCH

ITEM No	PART No.	DESCRIPTION	QTY.	
			270 DTC	320 DTC
1-2	LG5120	Clutch, Assembly	1	1
1	LG5121	Clutch Disk Assembly	1	1
2	LG5122	Clutch Cover Assembly	1	1
3	LG1951	Bolt, Hex w/Washer (M8x1.25x20)	6	6
4	LG5569	Pin, Dowel (8x14)	3	3
5	LG2092	Bearing, Release	1	1
6-7	LG5124	Hub Assembly, Release Bearing	1	1
6	LG5566	Bushing	2	2
7	LG5125	Hub, Release Bearing	1	1
8	LG5127	Cover, Main Shaft (Single)	1	1
9	LG1862	Bolt, Hex w/Washer (M10x1.25x20)	3	3
10	LG1863	Bolt, Hex w/Washer (M10x1.25x25)	1	1
11	LG1300	O-Ring (66.5x2.0)	1	1
12	LG2091	Lever, Clutch Shift	1	1
13	LG1782	Bolt, Locking (M12x1.25)	1	1

CLUTCH HOUSING



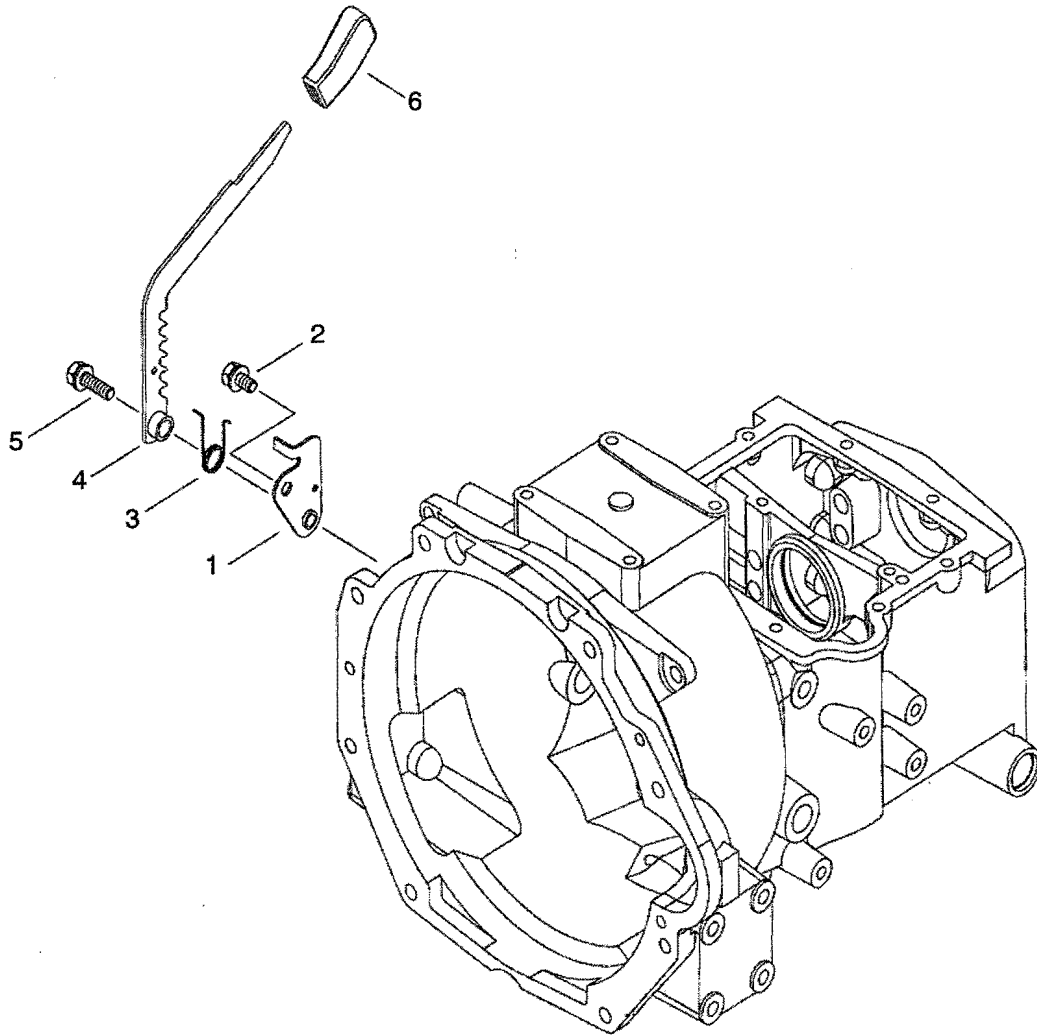
CLUTCH HOUSING

ITEM No	PART No.	DESCRIPTION	QTY.	
			270 DTC	320 DTC
1	LG5126	Housing, Clutch	1	1
2	LG5435	Pin, Split	1	1
3	LG1777	Plug	8	8
4	LG1395	Copper Washer (26x20x2)	8	8
5	LG1771	Plug, Drain	1	1
6	LG5128	Bushing (20x23x25)	2	2
7	LG2464	Bushing (28x25x20)	2	2
8	LG5436	Bolt, Hex w/Washer (M12x1.75x30)	2	2
9	LG1933	Bolt, Hex w/Washer (M12x1.75x35)	6	6
10	LG1325	Pin, (10x20)	4	4
11	LG5129	Cover, Clutch Housing	1	1
12	LG1862	Bolt, Hex w/Washer (M10x1.25x20)	9	9
13	LG5130	Shaft, Clutch Lever	1	1

NOTES

BRAKE AND CLUTCH CONTROLS

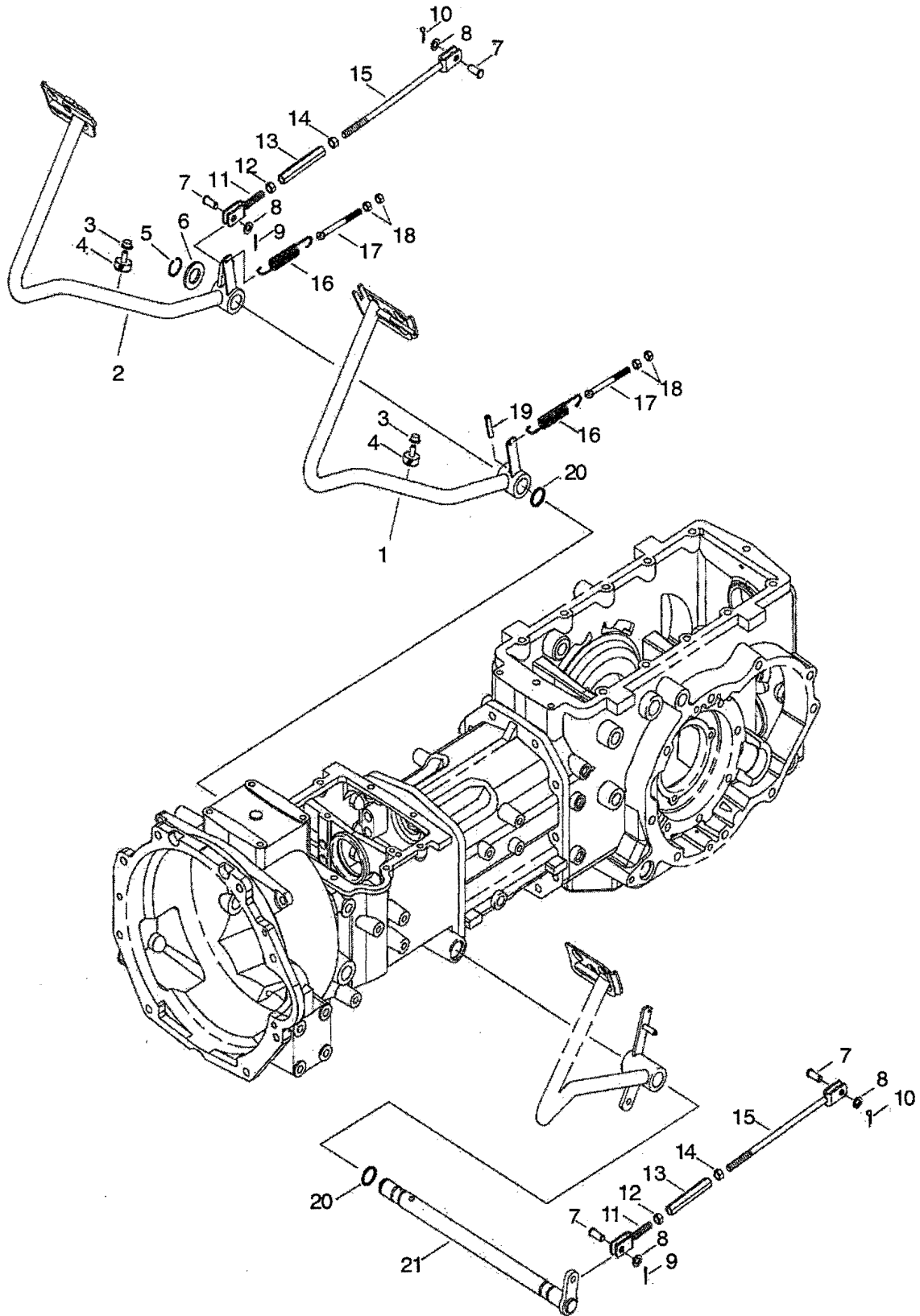
PARKING BRAKE LEVER



PARKING BRAKE LEVER

<i>ITEM No</i>	<i>PART No.</i>	<i>DESCRIPTION</i>	<i>QTY.</i>	
			<i>270 DTC</i>	<i>320 DTC</i>
1	LG2313	Bracket	1	1
2	LG1909	Bolt, Hex w/Washer (M10x1.25x20)	1	1
3	LG2312	Spring	1	1
4	LG2311	Ratchet, Parking	1	1
5	LG1913	Bolt	1	1
6	LG1199	Knob, Hydraulic Lift Lever	1	1

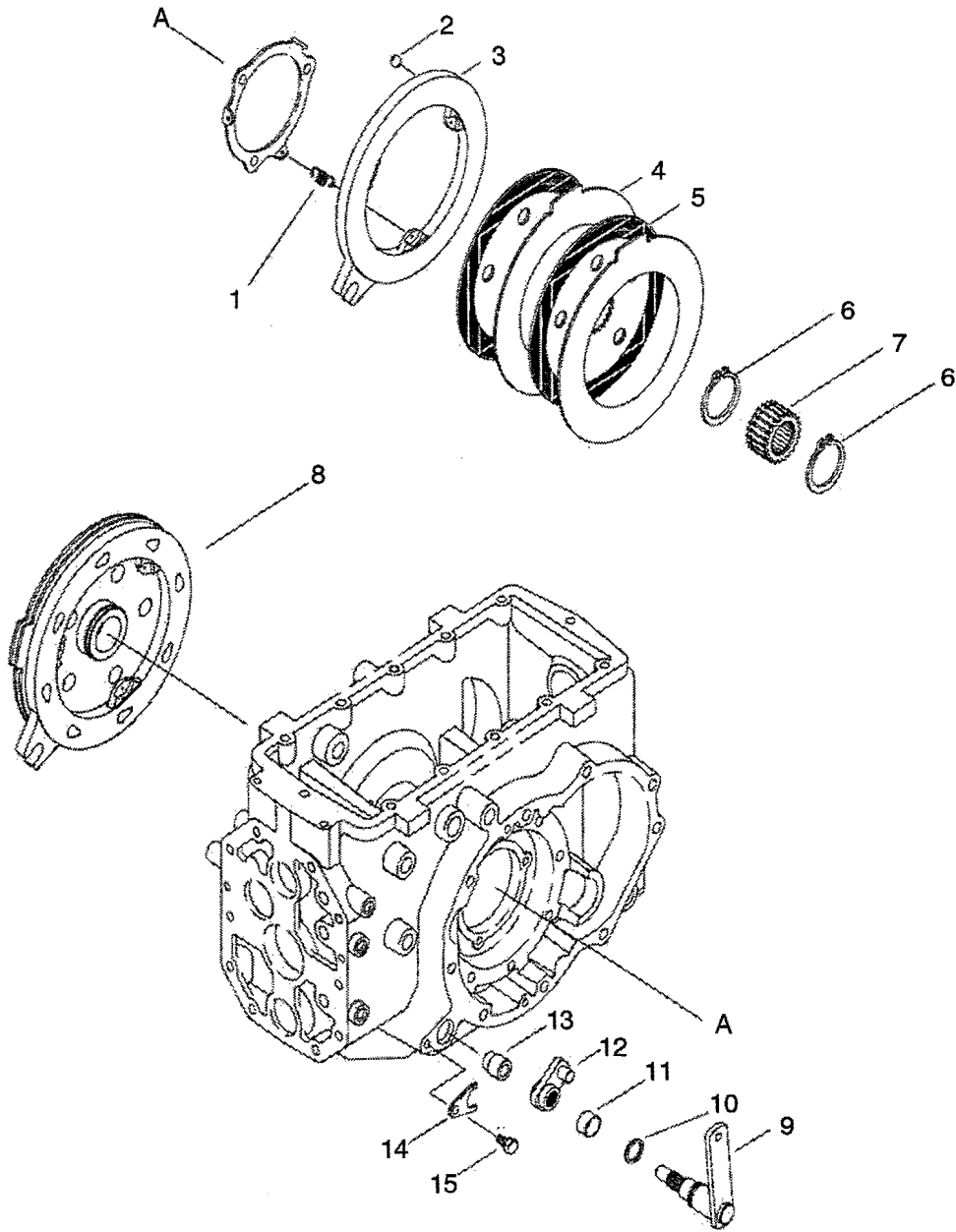
BRAKE PEDALS



BRAKE PEDALS

ITEM No	PART No.	DESCRIPTION	QTY.	
			270 DTC	320 DTC
1	LG5230	Pedal, Brake LH	1	1
2	LG5231	Pedal, Brake RH	1	1
3	LG1890	Nut, Flange (M8x1.25)	2	2
4	LG2478	Rubber	2	2
5	N661221S	Ring, Snap (25)	1	1
6	LG4294	Washer, Plain F-RD (44x25x4)	1	1
7	LG1911	Pin, Clevis	4	4
8	N630069S8	Washer, Plain S-RD (18x10.5x2)	4	4
9	N642565S8	Pin, Split	2	2
10	LG1871	Pin, Snap (1.8)	2	2
11-15	LG5232	Brake Rod Assembly	2	2
11	LG5233	Link, Clutch	1	1
12	LG1868	Nut, Hex (M10x1.25)	1	1
13	LG4329	Adjuster, Control	1	1
14	LG5234	Nut, Hex (M10x1.25)	2	2
15	LG5437	Rod, Brake	1	1
16	LG5438	Spring	2	2
17	LG4336	Adjuster	2	2
18	N620013S8	Nut, Hex (M8x1.25)	4	4
19	N646684S8	Pin, Spring (8.6x40)	1	1
20	LG1297	O-Ring (24.7x3.5)	2	2
21	LG5235	Shaft, Brake Pedal	1	1

BRAKE ASSEMBLY

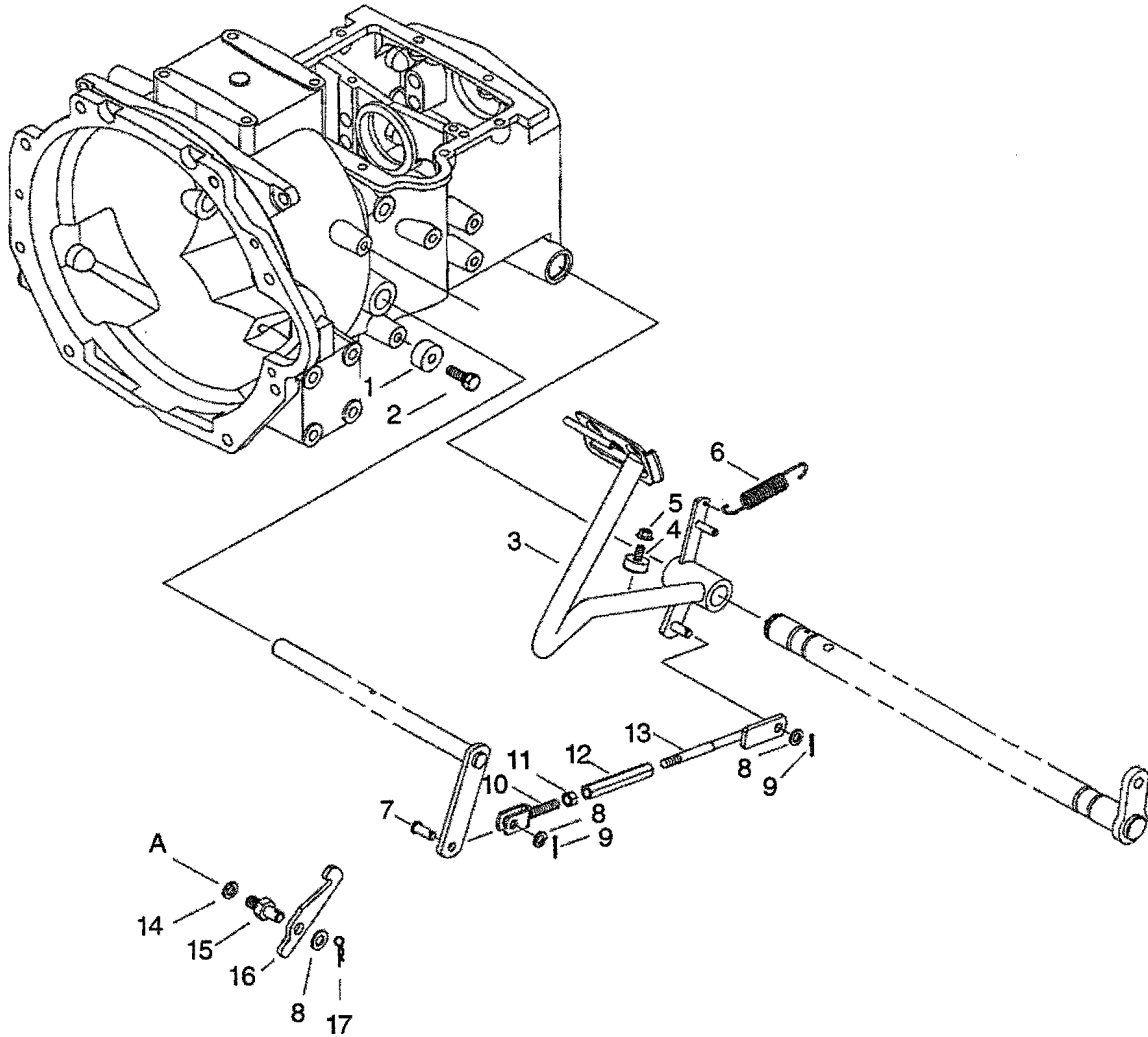




BRAKE ASSEMBLY

ITEM No	PART No.	DESCRIPTION	QTY.	
			270 DTC	320 DTC
1-7	LG2297	Brake Assy (LH)	1	1
1	LG2010	Spring	3	3
2	LG2009	Ball (1/2")	8	8
3	LG3368	Plate, Cam (LH)	1	1
4	LG1361	Plate, Pressure	2	2
5	LG1090	Plate, Friction	2	2
6	N661242S	Ring, Snap (M58 x 2)	2	2
7	LG2302	Boss, Spline	1	1
8	LG2296	Brake Assembly (RH)	1	1
9	LG5226	Lever, Brake	2	2
10	LG1297	O-Ring P (24.7x 3.5)	2	2
11	LG4166	Bushing (25x22x21)	2	2
12	LG2303	Arm, Brake Lever	2	2
13	LG5228	Bushing, Brake Lever	2	2
14	LG4320	Plate	2	2
15	LG1862	Bolt, Hex w/Washer (M10x1.25x20)	2	2

CLUTCH PEDAL



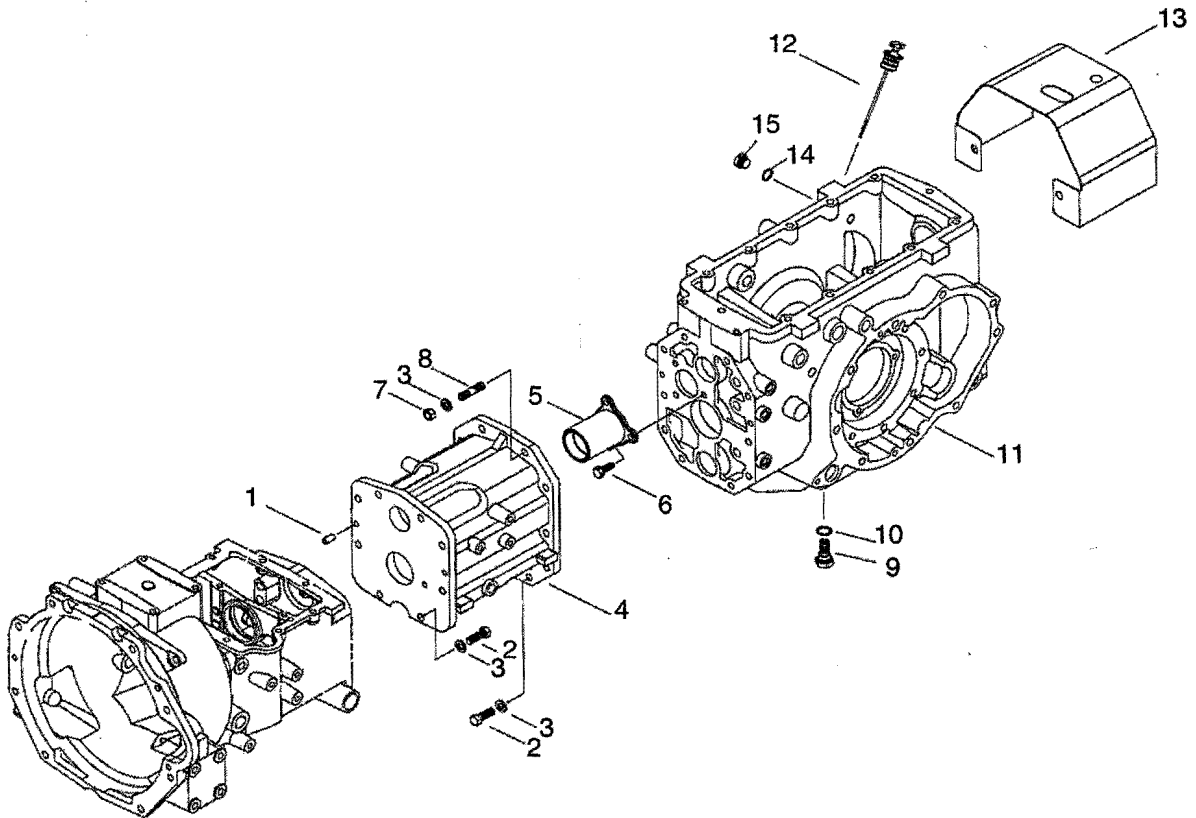
CLUTCH PEDAL

ITEM No	PART No.	DESCRIPTION	QTY.	
			270 DTC	320 DTC
1	LG5131	Stopper, Clutch Pedal	1	1
2	LG1862	Bolt, Hex (M10x1.25x30)	1	1
3	LG5132	Pedal, Clutch	1	1
4	LG2478	Bolt, Rubber	1	1
5	LG1890	Nut, Flange (M8x1.25)	1	1
6	LG5438	Spring	1	1
7	LG1911	Pin, Clevis	1	1
8	N630069S8	Washer, Plain S-RD (18x10.5x2)	3	3
9	N642565S8	Pin, Split	2	2
10-13	LG5133	Clutch Rod Assembly	1	1
10	LG5134	Link, Clutch	1	1
11	LG1868	Nut, Hex (10x1.25)	1	1
12	LG4329	Adjuster, Control	1	1
13	LG5135	Rod, Clutch	1	1
14	N630174S8	Washer, Spring (18.4x10.2x2.5)	1	1
15	LG5136	Hinge, Pedal	1	1
16	LG5137	Hook, Pedal	1	1
17	LG1871	Pin, Snap (1.8)	1	1

NOTES

GEARBOX

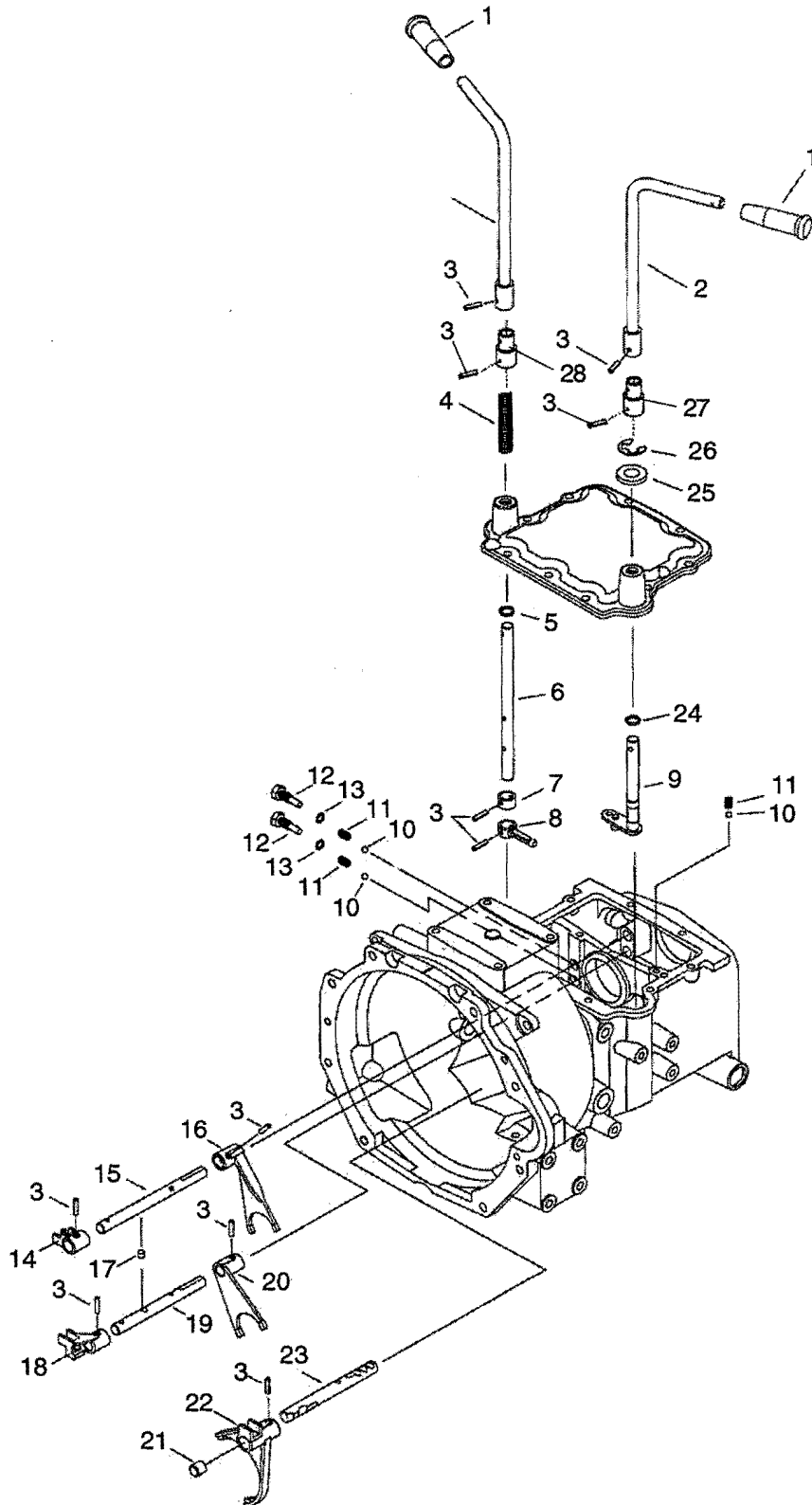
TRANSMISSION CASE



TRANSMISSION CASE

ITEM No	PART No.	DESCRIPTION	QTY.	
			270 DTC	320 DTC
1	LG1325	Pin, (10x20)	4	4
2	500235	Bolt, Hex Small (M12x1.75x35)	14	14
3	N630175S8	Washer, Spring 1TY (21.5x12.2x3)	18	18
4	LG5138	Case, Center	1	1
5	LG5139	Holder, Bearing	1	1
6	LG1864	Bolt, Hex w/Washer (M10x1.25x30)	3	3
7	LG5439	Nut, Hex (M12x1.75)	4	4
8	LG5440	Bolt, Stud (M12x1.75)	4	4
9	LG1771	Plug, Drain	1	1
10	LG1995	Seal (26x20x1)	1	1
11	LG5140	Case, Axle	1	1
12	LG4234	Gauge, Oil Level	1	1
13	LG5141	Shield, PTO	1	1
14	LG1395	Copper Washer(20x26x1)	1	1
15	LG1781	Plug, Drain	1	1

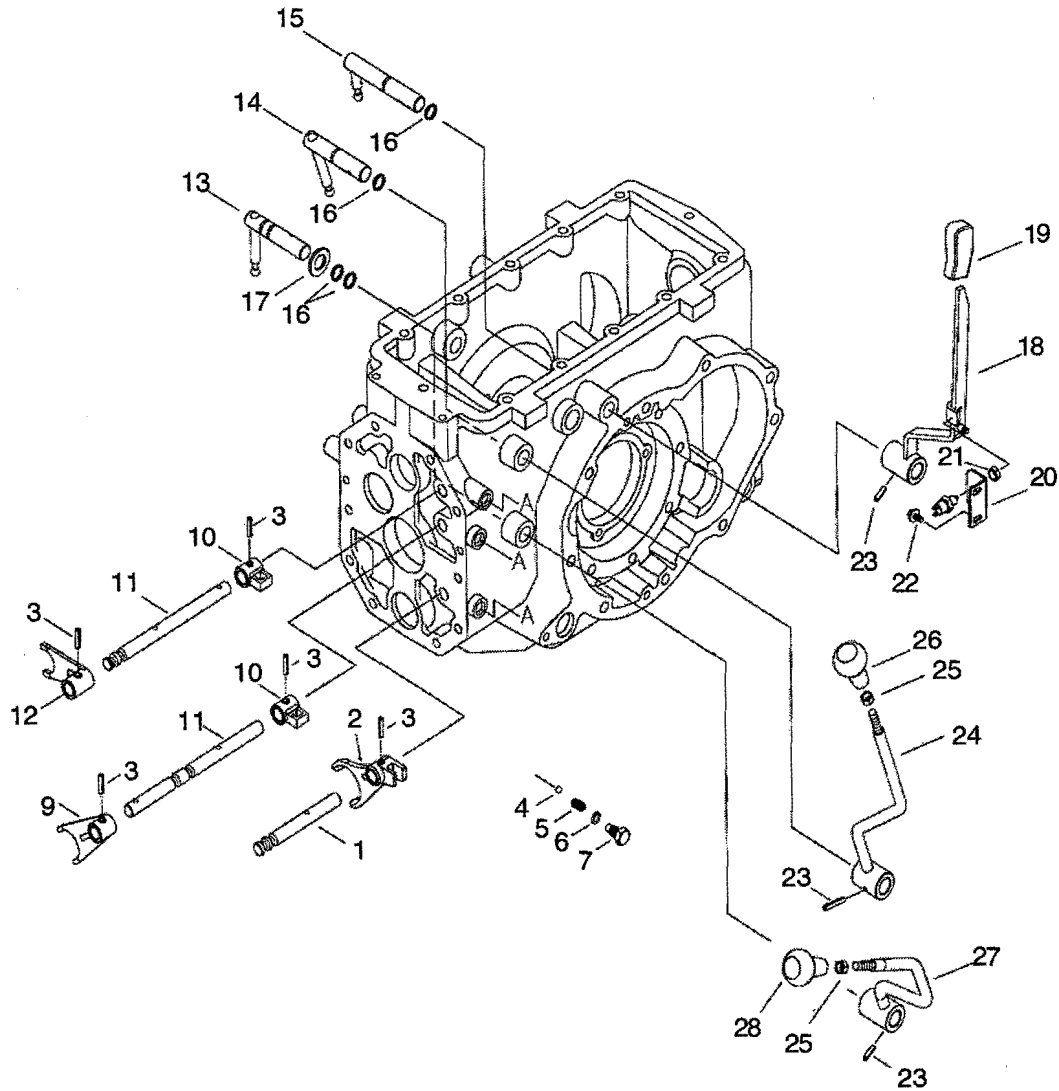
SHIFT LEVER AND FORK



SHIFT LEVER AND FORK

ITEM No	PART No.	DESCRIPTION	QTY.	
			270 DTC	320 DTC
1	LG2472	Grip	2	2
2	LG2216	Hand Lever Change	2	2
3	N64663-S8	Pin, Spring (6.4x25)	11	11
4	LG2218	Spring	1	1
5	LG1293	O-Ring (P) (15.8x2.4)	1	1
6	LG5181	Lever, Main Change	1	1
7	LG5182	Stopper	1	1
8	LG5183	Arm, Main Shift	1	1
9	LG5184	Lever, F-R Synchronized	1	1
10	LG1707	Ball, Shifter Fork	3	3
11	LG1489	Spring	3	3
12	LG1795	Bolt, 4WD Shift	2	2
13	LG1382	O-Ring (P) (9.8x2.4)	2	2
14	LG5185	Adapter, Main Shift (3,4)	1	1
15	LG5186	Rail, Main Shift (3,4)	1	1
16	LG5187	Fork, Main Shift (3,4)	1	1
17	LG1313	Pin	1	1
18	LG5188	Adapter, Main Shift (1,2)	1	1
19	LG5189	Rail, Main Shift (1,2)	1	1
20	LG5190	Fork, Main Shift (1,2)	1	1
21	LG1026	Cap, Rail	1	1
22	LG5419	Fork, F-R Synchronized	1	1
23	LG5541	Rail, F-R Synchronized	1	1
24	LG1292	O-Ring (P) (11.8x2.4)	1	1
25	N630072-S8	Washer, Flat (M16)	1	1
26	LG1923	Ring, Snap (15x1.5)	1	1
27	LG5570	Adapter, LH	1	1
28	LG5571	Adapter, RH	1	1

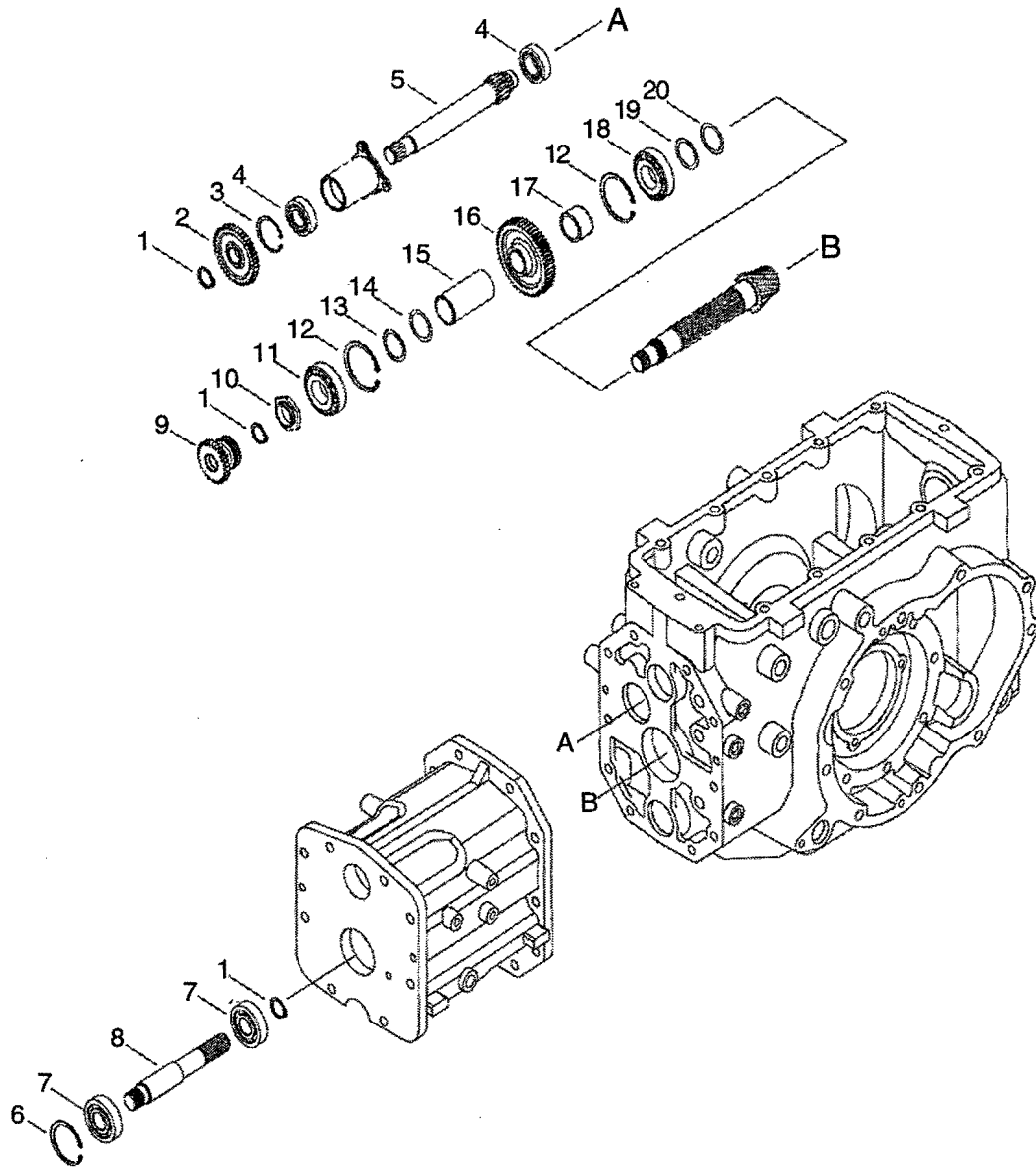
SHIFT LEVER AND FORK



SHIFT LEVER AND FORK

ITEM No	PART No.	DESCRIPTION	QTY.	
			270 DTC	320 DTC
1	LG5191	Rail, 4WD	1	1
2	LG2200	Fork, 4WD	1	1
3	N646663S8	Pin, Spring (6.4x25)	5	5
4	LG1707	Ball, Shifter Fork (11/32)	3	3
5	LG1489	Spring	3	3
6	LG1382	O-Ring (9.8x2.4)	3	3
7	LG1921	Bolt, Rail	3	3
8	LG5192	Rail, Range Shift	1	1
9	LG5193	Fork, Range Shift	1	1
10	LG5194	Adapter, Sub	2	2
11	LG5195	Rail, PTO	1	1
12	LG5196	Fork, PTO	1	1
13	LG5197	Lever, 4WD	1	1
14	LG5198	Lever, Range Shift	1	1
15	LG5199	Lever, PTO	1	1
16	LG1293	O-Ring (15.8x2.4)	4	4
17	N630073-S8	Washer, Flat (20MM)	1	1
18	LG5200	Hand Lever, PTO	1	1
19	LG1199	Knob, Hydraulic Lift Lever	1	1
20	LG5441	Bracket, Switch PTO	1	1
21	LG5443	Nut, Hex (M14x1.5)	1	1
22	LG1979	Bolt, Hex w/Washer (M8x1.25x20)	2	2
23	N646664-S8	Pin, Spring W-TY (6.4x25)	3	3
24	LG5539	Hand Lever, Range Shift	1	1
25	LG5442	Nut, Hex S 2-TY (M10x1.25)	2	2
26	LG5201	Knob, Range	1	1
27	LG5202	Hand Lever, 4WD	1	1
28	LG5203	Knob, 4WD	1	1

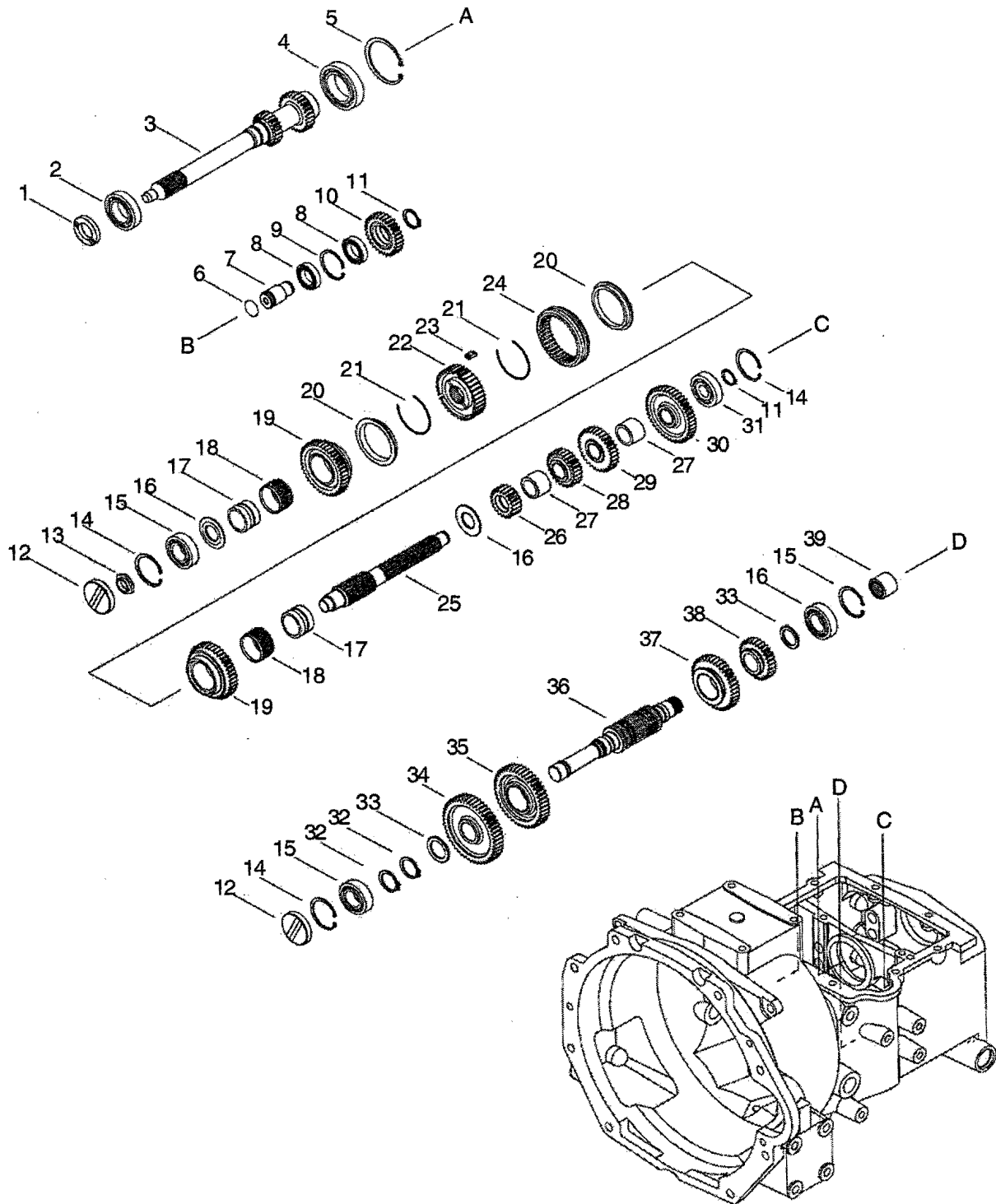
RANGE GEAR SHAFT



RANGE GEAR SHAFT

ITEM No	PART No.	DESCRIPTION	QTY.	
			270 DTC	320 DTC
1	N661221S	Ring, Snap (23.2)	3	3
2	LG5160	Gear, Range Driven (41)	1	1
3	N660245S	Ring, Snap (C) H (56.2)	1	1
4	LG1717	Bearing, Ball	2	2
5	LG5161	Shaft, Range Driven w/Gear	1	1
6	N660250S	Ring, Snap (C) H (66.2)	1	1
7	LG1723	Bearing, Ball	2	2
8	LG5162	Shaft, Range Driven	1	1
9	LG5163	Gear, Range Driven	1	1
10	LG1919	Nut, Lock	1	1
11	LG1741	Bearing, Taper Roller	1	1
12	N660257S	Ring, Snap (76.5)	2	2
13	LG1231	Shim	AR	AR
14	LG1232	Shim	AR	AR
15	LG3513	Spacer	1	1
16	LG5164	Gear, Range Driven	1	1
17	LG5540	Spacer	1	1
18	LG5165	Bearing, Taper Roller	1	1
19	LG4514	Liner	AR	AR
20	LG2059	Liner	AR	AR

MAIN SHAFT



MAIN SHAFT

ITEM No	PART No.	DESCRIPTION	QTY.	
			270 DTC	320 DTC
1	LG5142	Seal, Oil (28x47x7)	1	1
2	LG4408	Bearing, Ball	1	1
3	LG5143	Shaft, F-R Driven w/Gear	1	1
4	LG2049	Bearing, Ball	1	1
5	N660255S	Ring, Snap (C) H (72.5)	1	1
6	LG1294	O-Ring (20.8x2.4)	1	1
7	LG5144	Shaft, R/Idle	1	1
8	LG2053	Bearing, Ball	2	2
9	N660232S	Ring, Snap (C) H (34.4)	1	1
10	LG5145	Gear, Reverse Idle	1	1
11	N661216S	Ring, Snap (18.5)	1	1
12	LG4114	Cap, Rubber	2	2
13	LG5444	Nut, Lock	1	1
14	N660245S	Ring, Snap (C) H (56.2)	2	2
15	LG1717	Bearing, Ball	2	2
16	LG5572	Spacer	2	2
17	LG1460	Sleeve, Gear	2	2
18	LG1711	Bearing, Needle	2	2
19	LG5146	Gear, FR Driven	2	2
20	LG1386	Ring, Synchronized	2	2
21	LG1488	Spring	2	2
22	LG1189	Hub Shaft	1	1
23	LG1311	Synchronizer Insert	3	3
24	LG1455	Sleeve	1	1
25	LG5147	Shaft, Main Drive	1	1
26	LG5148	Gear, Main 2nd Driven 20T	1	1
27	LG2183	Spacer	2	2
28	LG5149	Gear, Main 2nd Driven 25T	1	1
29	LG5150	Gear, Main 2nd Driven 31T	1	1
30	LG5151	Gear, Main 2nd Driven 42T	1	1
31	LG5152	Bearing, Ball	1	1
32	N661221S	Ring, Snap (23.2)	2	2
33	LG5445	Spacer	2	2
34	LG5153	Gear, Main 1st Driven 49T	1	1
35	LG5154	Gear, Main 2nd Driven 44T	1	1
36	LG5155	Shaft, Main Driven	1	1
37	LG5156	Gear, Main 3rd Drive (38)	1	1
38	LG5157	Gear, Main 4th Drive (28)	1	1
38	LG5446	Joint	1	1

NOTES

270 DTC / 320 DTC

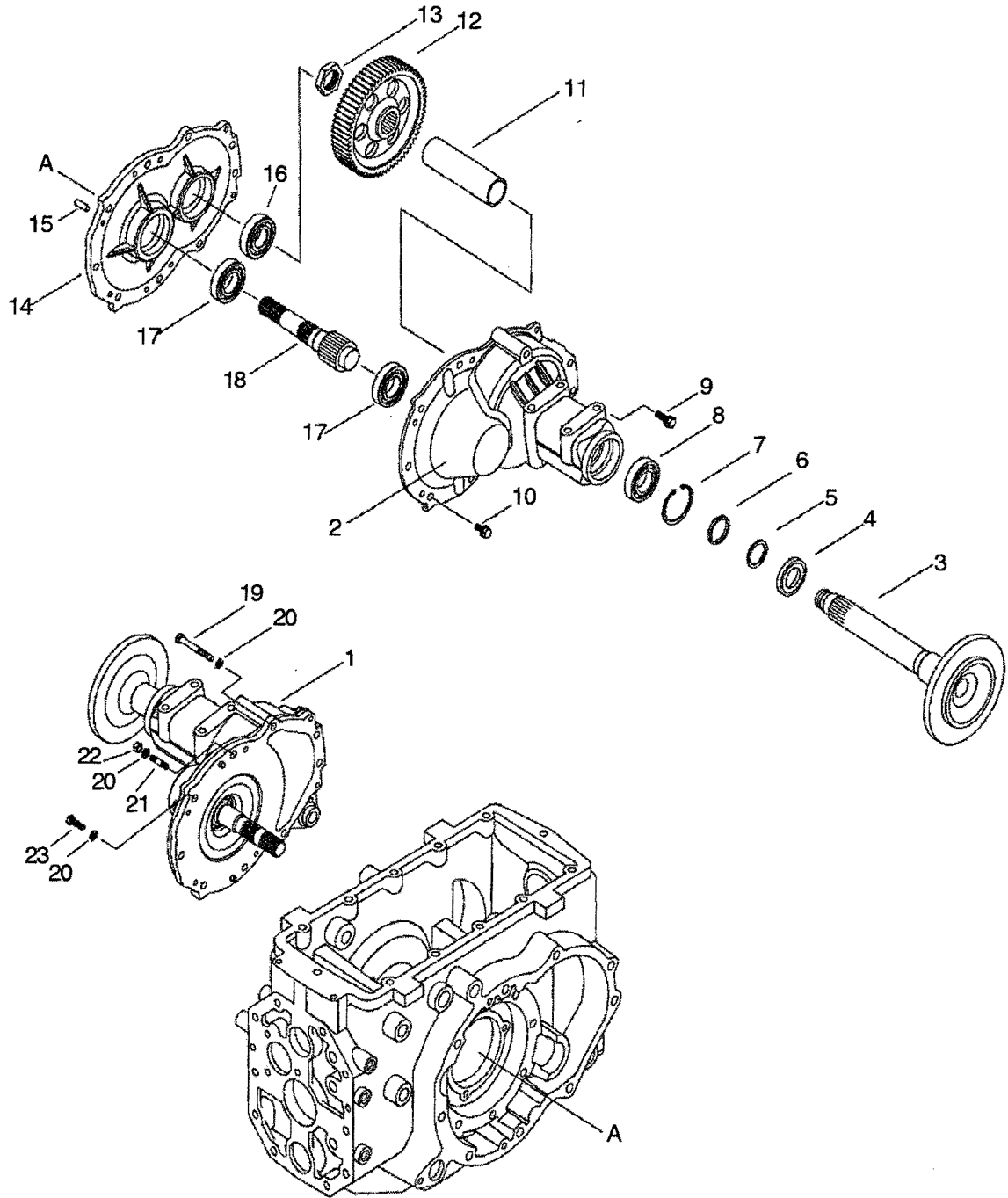
SECTION 11

REAR AXLE HOUSING AND DIFFERENTIAL

FARMTRAC

DRIVING TRADITIONS TOMORROW

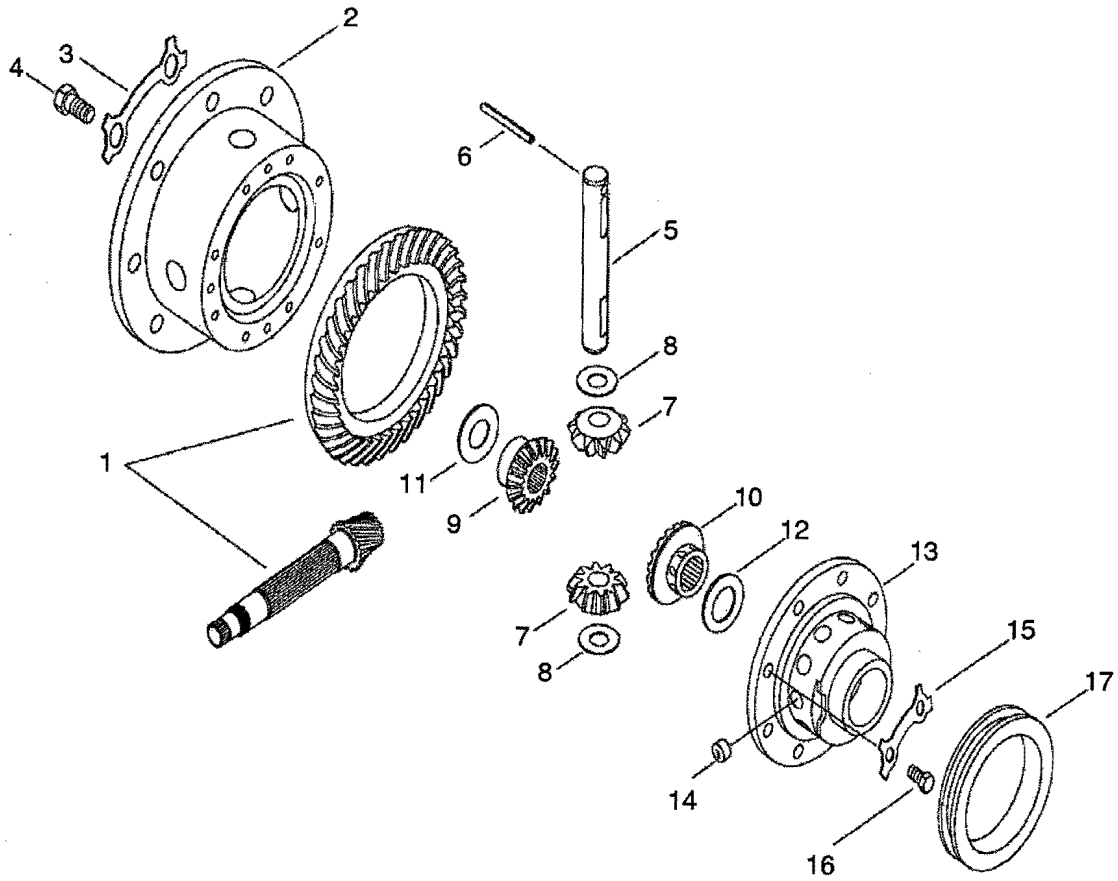
REAR AXLE



REAR AXLE

ITEM No	PART No.	DESCRIPTION	QTY.	
			270 DTC	320 DTC
1,3-18	LG5210	Final Drive Assembly (RH)	1	1
2-18	LG5211	Final Drive Assembly (LH)	1	1
1	LG5212	Housing, F-Drive (RH)	1	1
2	LG5213	Housing, F-Drive (LH)	1	1
3	LG5214	Shaft, Rear Axle	1	1
4	LG4127	Seal, Oil	1	1
5	LG5542	Ring, Snap (41.9)	1	1
6	LG5543	Spacer	1	1
7	LG5523	Ring, Snap (79.5)	1	1
8	LG5215	Bearing, Ball	1	1
9	LG1913	Bolt, Hex (M10x1.25x35)	1	1
10	LG1916	Bolt, Hex (M10x1.25x25)	5	5
11	LG5544	Spacer	1	1
12	LG5216	Gear, Final Driven	1	1
13	LG1938	Nut, Lock (M40x1)	1	1
14	LG5217	Housing, Brake	1	1
15	LG5560	Pin (10x32)	2	2
16	LG2050	Bearing, Ball	1	1
17	LG5219	Bearing, Ball	2	2
18	LG5220	Shaft, Final Drive w/ Gear (16T)	1	1
19	LG3679	Bolt, Hex (M14x2.0x120)	4	4
20	N630187S8	Washer, Spring 2-TY (24.7x14.2x4.2)	9	9
21	LG5517	Bolt, Stud (M14x2.0x45)	2	2
22	LG3681	Nut, Hex 1 TY (M14x2.0)	2	2
23	LG3507	Bolt, Hex (M14x2.0x45)	3	3

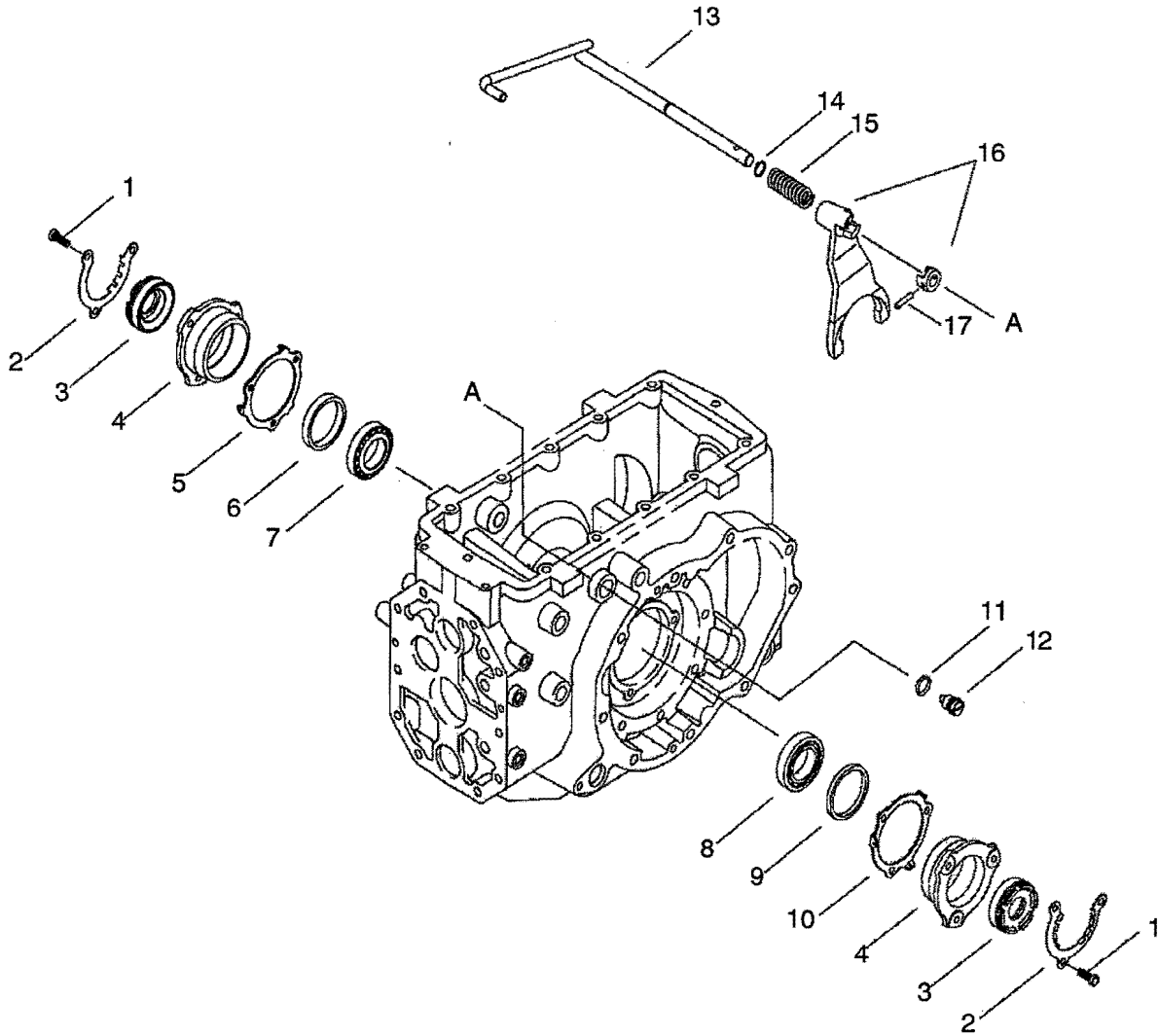
REAR DIFFERENTIAL



REAR DIFFERENTIAL

ITEM No	PART No.	DESCRIPTION	QTY.	
			270 DTC	320 DTC
1-17	LG5204	Differential Assembly	1	1
1	LG5205	Ring & Pinion Gear Set 6T, 37T	1	1
2	LG3328	Case, Differential (1)	1	1
3	LG3336	Washer, Lock (1.0)	4	4
4	LG1924	Bolt, Hex (M12x1.25x23)	8	8
5	LG3330	Shaft (1)	1	1
6	N646661S8	Pin, Spin W-TY (6x50)	1	1
7	LG5206	Pinion Mate	2	2
8	LG1927	Washer, Thrust (0.8)	2	2
9	LG5207	Gear, Side Differential (RH)	1	1
10	LG5208	Gear, Side Differential (LH)	1	1
11	LG1928	Washer, Thrust (0.8)	1	1
12	LG1929	Washer, Thrust (LH) (55x74x0.8)	1	1
13	LG3329	Case, Differential (2)	1	1
14	LG3335	Roller (12x1.5)	10	10
15	LG1925	Washer, Lock (2) (1.0)	4	4
16	LG1926	Bolt, Hex (M8x1.25x20)	8	8
17	LG3334	Hub, Differential Lock	1	1

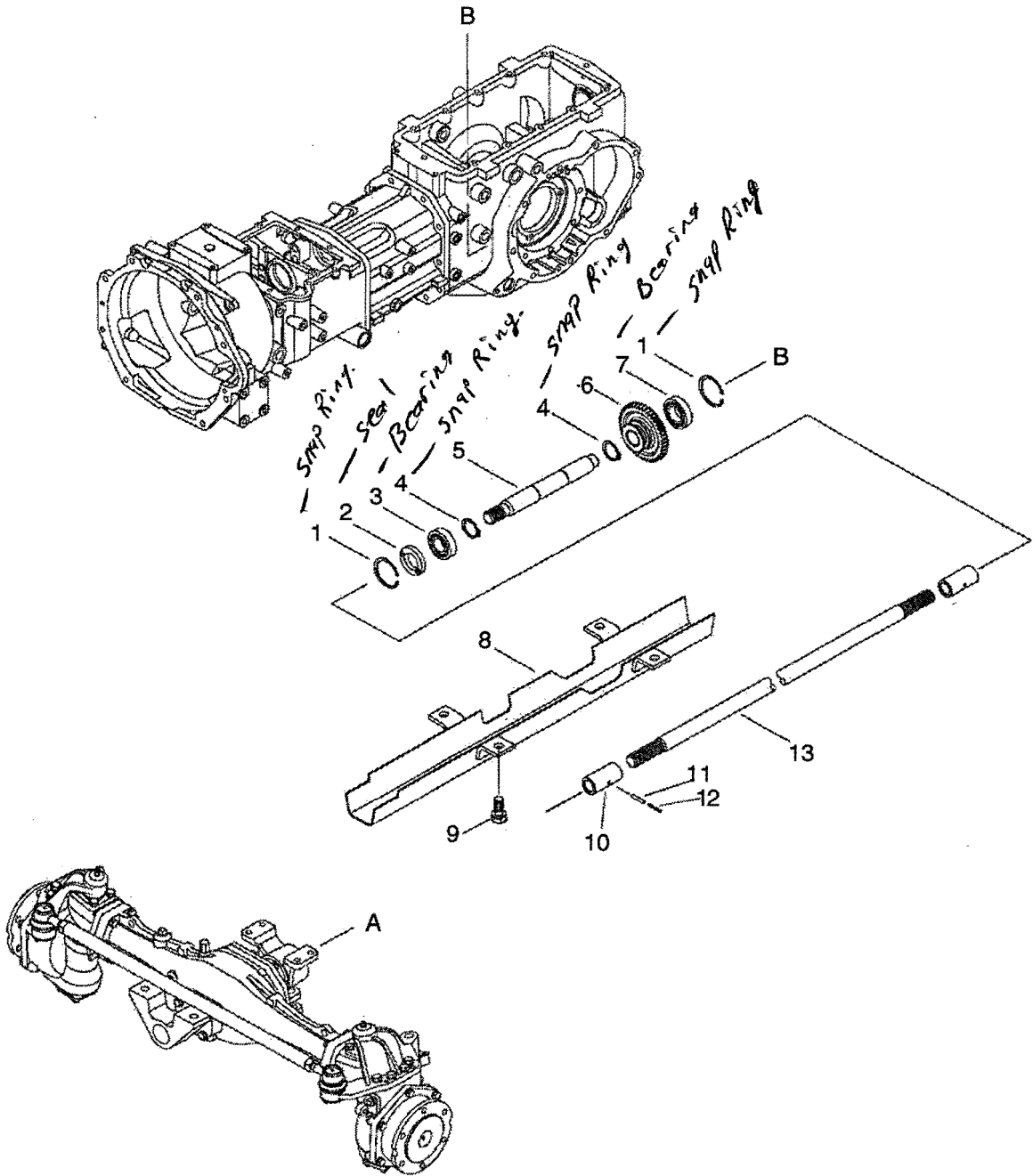
DIFFERENTIAL LOCK



DIFFERENTIAL LOCK

ITEM No	PART No.	DESCRIPTION	QTY.	
			270 DTC	320 DTC
1	500198	Bolt, Hex F-Thrd. (M10x1.25x25)	6	6
2	LG2231	Plate, Lock	2	2
3	LG1772	Gland Nut (M85x1.5)	2	2
4	LG2229	Support, Differential	2	2
5	LG2300	Holder, Spring (RH)	1	1
6	LG2232	Spacer	1	1
7	LG1736	Bearing, Taper	1	1
8	LG1722	Bearing, Ball	1	1
9	LG2233	Spacer	1	1
10	LG2299	Holder, Spring (LH)	1	1
11	LG1294	O-Ring (P) (20.8x2.4)	1	1
12	LG1689	Adjust Screw	1	1
13	LG5209	Pedal, Differential	1	1
14	LG1293	O-Ring (P) (15.8x2.4)	1	1
15	LG5518	Spring	1	1
16	LG2005	Differential Lock Fork Assembly	1	1
17	N646684S8	Pin, Spring W-TY (8.6 x 40)	1	1

4WD





270DTC / 320DTC REAR AXLE HOUSING & DIFFERENTIAL

4WD

ITEM No	PART No.	DESCRIPTION	QTY.	
			270 DTC	320 DTC
1	N660242S	Ring, Snap (50.5)	2	2
2	LG5175	Seal, Oil	1	1
3	LG2047	Bearing, Ball	1	1
4	N661221S	Ring, Snap (23.2)	2	2
5	LG5176	Shaft, 4WD Driven	1	1
6	LG5418	Gear, 4WD Driven 41T	1	1
7	LG1716	Bearing, Ball	1	1
8	LG5177	Cover, 4WD	1	1
9	LG5436	Bolt, Hex w/Washer (M12x1.75x30)	2	2
10-12	LG5178	4WD Joint Assembly	2	2
10	LG5179	Joint, 4WD	1	1
11	LG5519	Pin, Spring (5.4x28)	1	1
12	LG5520	Pin, Spring (3.3x28)	1	1
13	LG5180	Shaft, 4WD Front	1	1

NOTES

270 DTC / 320 DTC

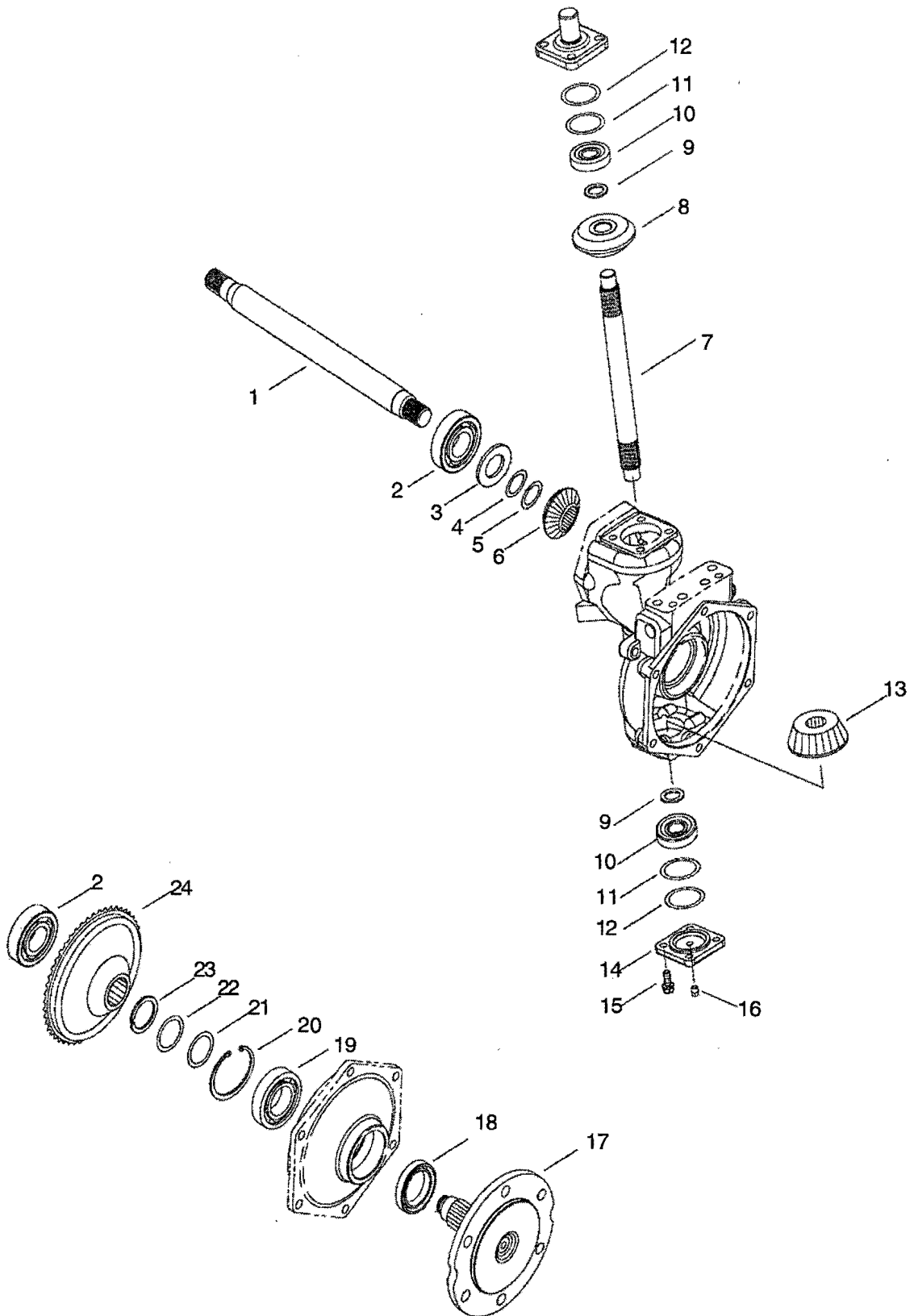
SECTION 12

FRONT AXLES

FARMTRAC

DRIVING TRADITIONS TOMORROW

FRONT DRIVE





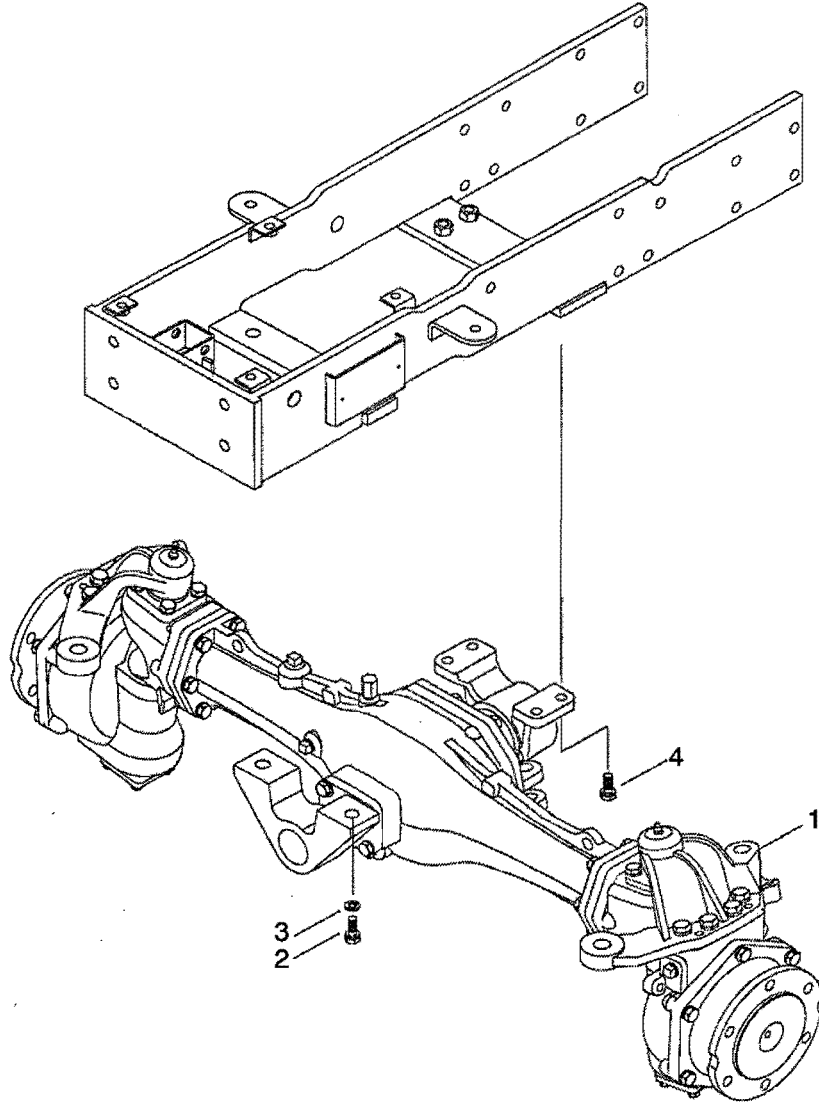
270DTC / 320DTC

FRONT AXLES

FRONT DRIVE

ITEM No	PART No.	DESCRIPTION	QTY.	
			270 DTC	320 DTC
1	LG5285	Shaft, Front Differential	2	2
2	LG3551	Bearing, Ball	4	4
3	LG5545	Washer, Thrust	2	2
4	LG5286	Liner	AR	AR
5	LG5287	Liner	AR	AR
6	LG5288	Bevel Gear 13T	2	2
7	LG5289	Shaft, Kingpin	2	2
8	LG5290	Bevel Gear 16T	2	2
9	LG5427	Spacer	4	4
10	LG5291	Bearing, Taper Roller	4	4
11	LG1235	Liner	AR	AR
12	LG1237	Liner	AR	AR
13	LG5292	Bevel Gear 13T	2	2
14	LG5293	Cover, Kingpin	2	2
15	LG1951	Bolt, Hex w/Washer (M8x1.25x20)	8	8
16	LG1775	Plug, Taper PT (3/8)	2	2
17	LG5294	Shaft, Front Axle	2	2
18	LG3324	Seal, Oil	2	2
19	LG3552	Bearing, Ball	2	2
20	N660257S	Ring, Snap (76.5)	2	2
21	LG2058	Liner	AR	AR
22	LG2060	Liner	AR	AR
23	LG5521	Ring, Snap (32.5)	2	2
24	LG5295	Ring Gear 35T	2	2

FRONT AXLE ASSEMBLY





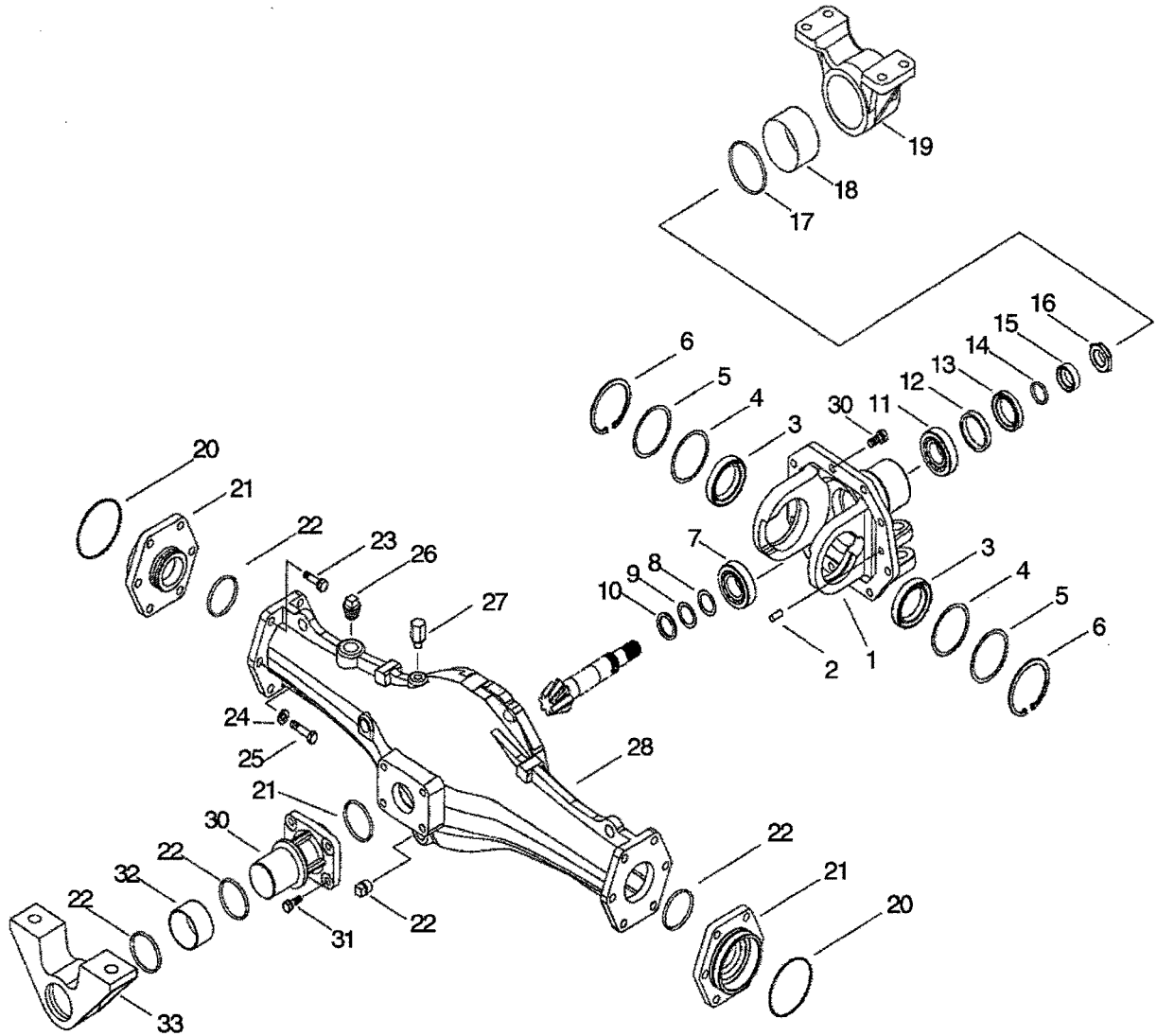
270DTC / 320DTC

FRONT AXLES

FRONT AXLE ASSEMBLY

ITEM No	PART No.	DESCRIPTION	QTY.	
			270 DTC	320 DTC
1	LG5236	Front Axle Assembly	1	1
2	LG5522	Bolt, Hex (M16x1.5x40)	2	2
3	N630176S8	Washer, Spring (28x16.2x4)	2	2
4	LG2422	Bolt, Hex (M12x1.25x45)	4	4

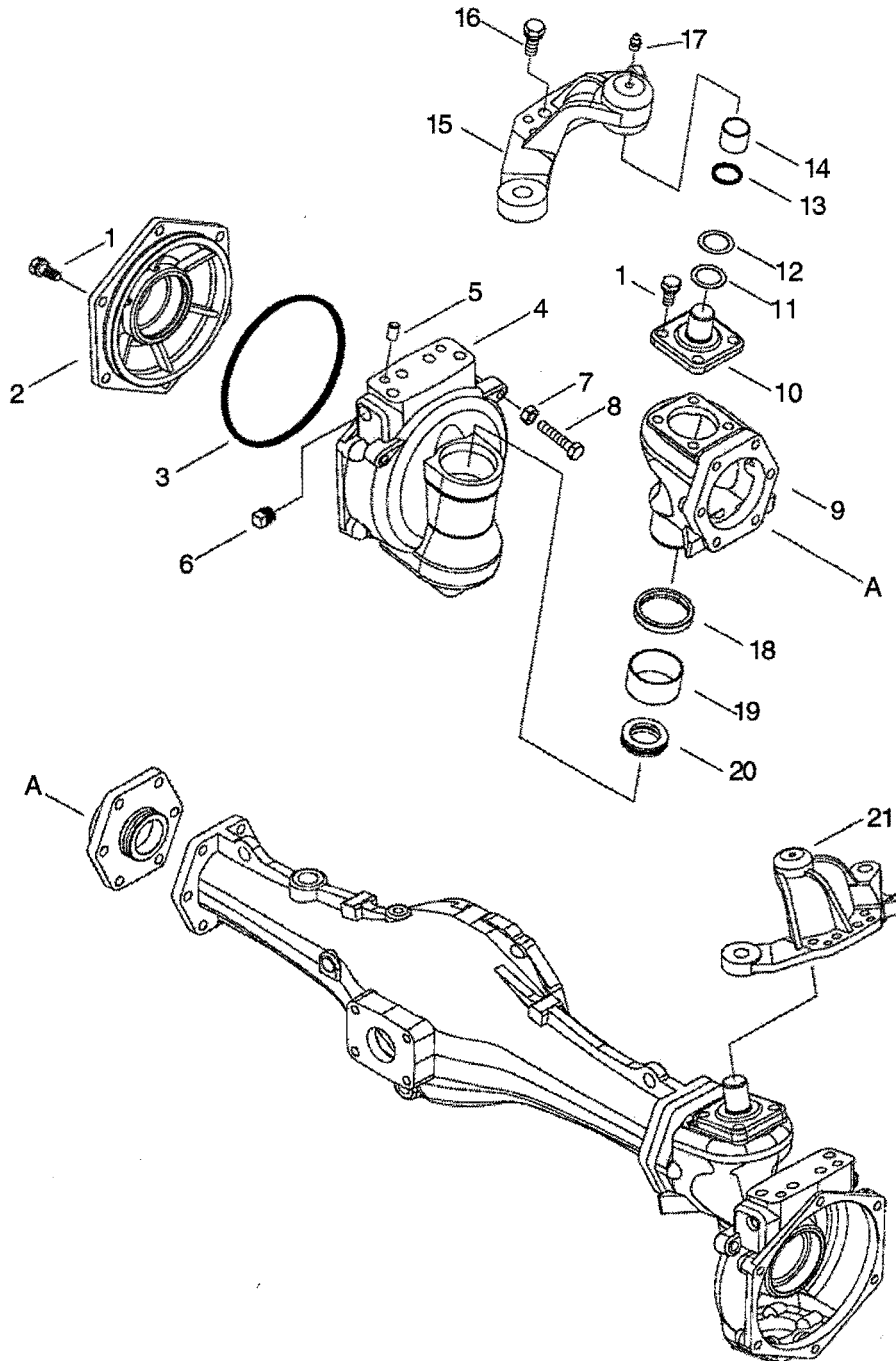
FRONT AXLE CASE (1)



FRONT AXLE CASE (1)

ITEM NO	PART No.	DESCRIPTION	QTY.	
			270 DTC	320 DTC
1	LG5237	Holder, Differential Assembly	1	1
2	LG1325	Pin, Par. A-TY (10x20)	2	2
3	LG5215	Bearing, Ball	2	2
4	LG5238	Liner	AR	AR
5	LG5239	Liner	AR	AR
6	LG5523	Ring, Snap (79.5)	2	2
7	LG5240	Bearing, Taper Roller	1	1
8	LG5241	Liner	AR	AR
9	LG5242	Liner	AR	AR
10	LG3526	Washer, Thrust	1	1
11	LG5243	Bearing, Taper Roller	1	1
12	LG5524	Spacer	1	1
13	LG5245	Seal, Oil (TC35x52x9)	1	1
14	LG5525	O-Ring (25)	1	1
15	LG5424	Collar	1	1
16	LG1785	Nut, Lock	1	1
17	LG5546	O-Ring (65)	1	1
18	LG5423	Bushing, DU	1	1
19	LG5426	Bracket, Front Axle Rear	1	1
20	LG1289	O-Ring (79.5x2.0)	2	2
21	LG5244	Spacer	2	2
22	LG5547	O-Ring (55)	5	5
23	LG5526	Bolt, Hex w/Washer (M10x1.25x40)	10	10
24	N630174S8	Washer, Spring 1-Type (18.4x10.2x2.5)	2	2
25	LG5527	Bolt, Reamer (M10x1.25x47)	2	2
26	LG1774	Plug, Taper (3/8)	1	1
27	LG1001	Breather, Air	1	1
28	LG5246	Case Front Axle	1	1
29	LG1775	Plug, Taper PT (3/8)	2	2
30	LG5247	Holder, Front Pivot	1	1
31	LG1864	Bolt, Hex w/Washer (M10x1.25x30)	12	12
32	LG5422	Bushing	1	1
33	LG5248	Bracket, Front Axle (Front)	1	1

FRONT AXLE CASE (2)

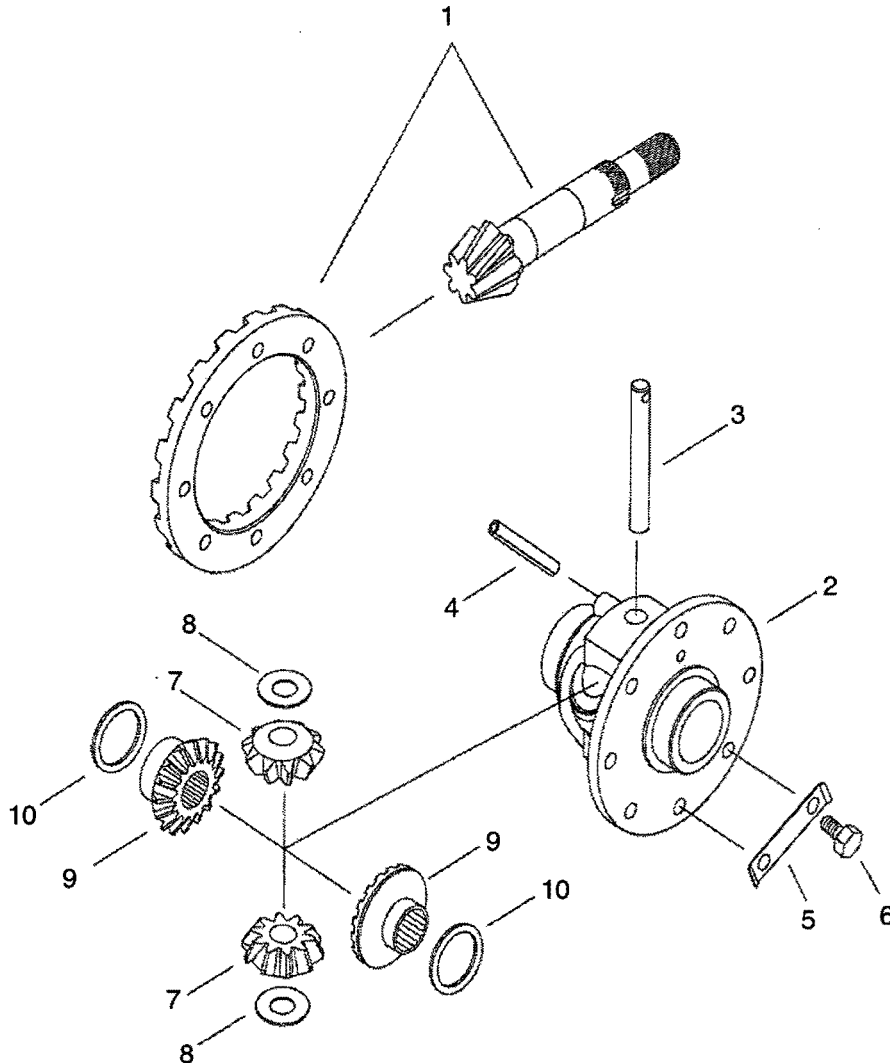


FRONT AXLE CASE (2)

ITEM No	PART No.	DESCRIPTION	QTY.	
			270 DTC	320 DTC
1	LG1863	Bolt, Hex w/Washer (M10x1.25x25)	20	20
2	LG5249	Cover, Gear Case	2	2
3	LG5548	O-Ring (164.3x5.7)	2	2
4	LG5250	Case, Gear	2	2
5	LG1325	Pin (10x20)	4	4
6	LG1775	Plug, Taper PT (3/8)	2	2
7	500307	Nut, Hex 1-TY (M10x1.25)	2	2
8	500463	Bolt, Hex (M10x1.25x50)	2	2
9	LG5251	Case, Kingpin	2	2
10	LG5252	Holder, Arm	2	2
11	LG5242	Liner	AR	AR
12	LG5254	Liner	AR	AR
13	LG1297	O-Ring (24.7x1.75x30)	2	2
14	LG5421	Bushing	2	2
15	LG5256	Arm, Knuckle (RH)	1	1
16	LG5436	Bolt, Hex w/Washer (M12x1.75x30)	8	8
17	LG1266	Nipple Grease	2	2
18	LG5257	Seal, Oil (40x60x12)	2	2
19	LG5422	Bushing	2	2
20	LG5258	Bearing, Thrust	2	2
21	LG5259	Arm, Knuckle (LH)	1	1

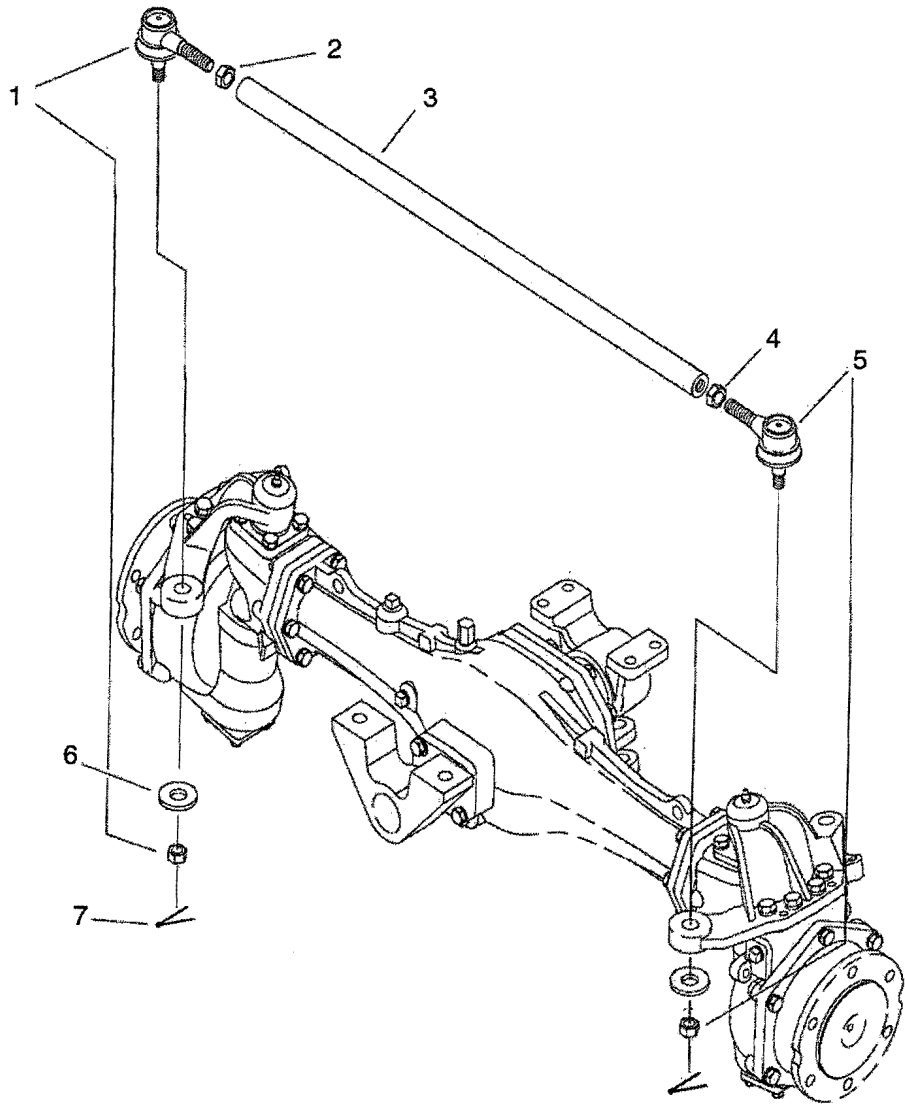
FRONT DIFFERENTIAL

ITEM No.	PART No.	DESCRIPTION	Qty.	
			270 DTC	320 DTC
1-10	LG5260	Differential Assembly F/Axle	1	1
1	LG5261	Ring & Pinion Gear Set	1	1
2	LG5262	Case, Differential	1	1
3	LG5263	Shaft, Pinion Gear	1	1
4	N646661S8	Pin, Spring (6.4x50)	1	1
5	LG5264	Plate Lock	4	4
6	LG5537	Bolt, Hex F-Thrd (M8x1.25x16)	8	8
7	LG5265	Pinion Gear 10T	2	2
8	LG5430	Washer, 1.2T	2	2
9	LG5266	SideGear, Differential 16T	2	2
10	LG5429	Washer 1.2T	2	2



TIE ROD

ITEM No	PART No.	DESCRIPTION	QTY.	
			270 DTC	320 DTC
1-5	LG5296	Tie Rod Assembly	1	1
1	LG3991	End, Tie Rod (LH)	1	1
2	LG3990	Nut, Hex LH (M18x1.5)	1	1
3	LG5297	Pipe, Tie Rod	1	1
4	LG1945	Nut, Hex RH (M18x1.5)	1	1
5	LG3987	End, Tie Rod (RH)	1	1
6	LG1947	Washer, Plain (3)	2	2
7	N642590S8	Pin, Split (4x36)	2	2



NOTES

270 DTC / 320 DTC

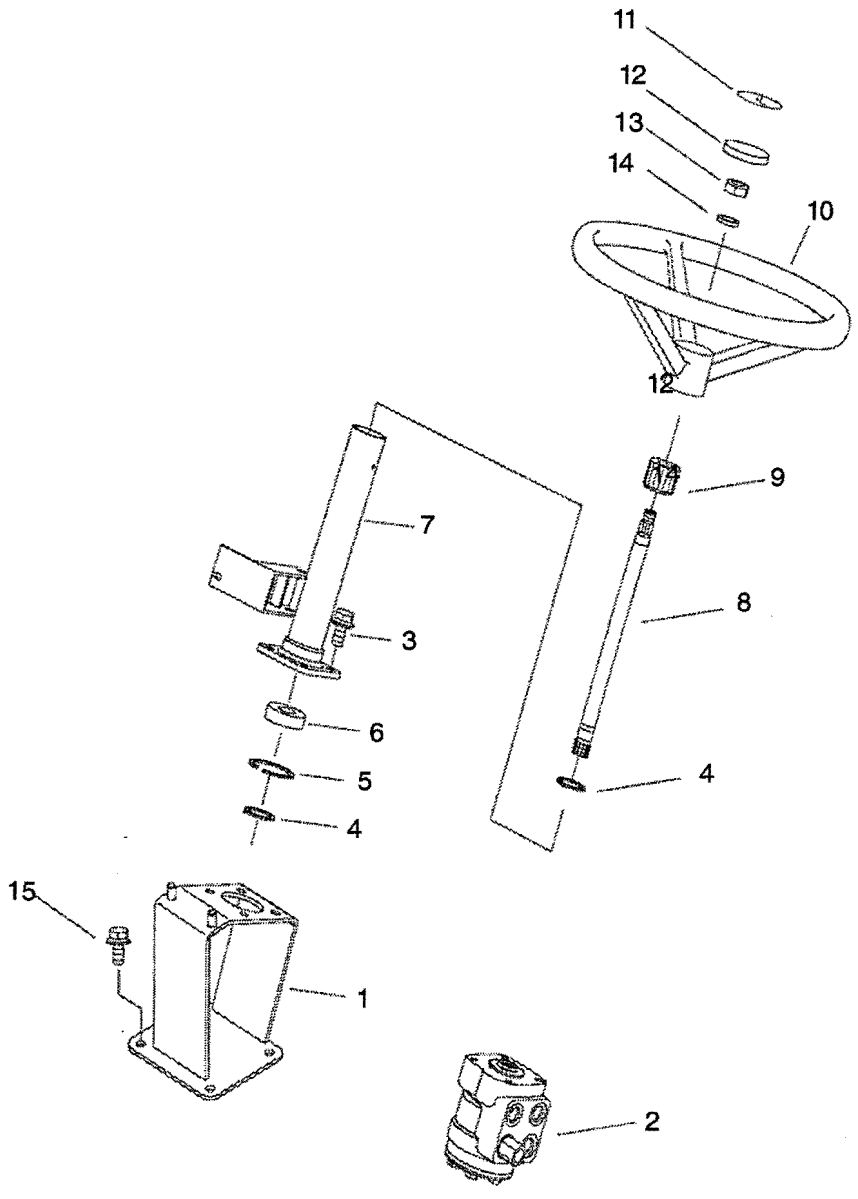
SECTION 13

STEERING SYSTEM

FARMTRAC

DRIVING TRADITIONS TOMORROW

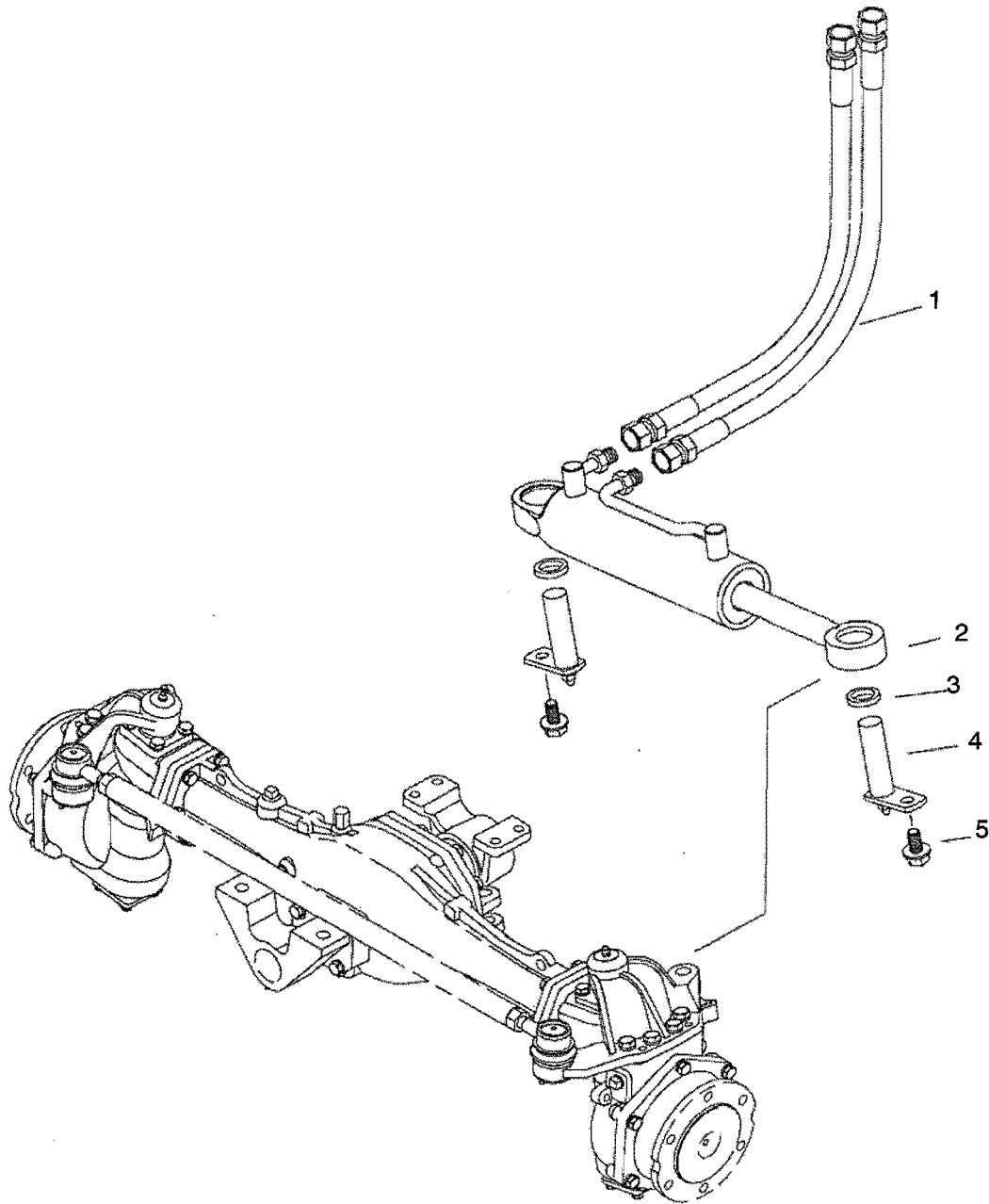
STEERING COLUMN



STEERING COLUMN

ITEM No	PART No.	DESCRIPTION	QTY.	
			270 DTC	320 DTC
1	LG5308	Support, Steering	1	1
2	LG5309	Steering Unit (62cc/rev)	1	1
3	LG1863	Bolt, Hex w/Washer (M10x1.25x25)	4	4
4-9	LG2281	Steering Column Assembly	1	1
4	N661216S	Ring, Snap (20)	2	2
5	LG3363	Ring, Snap (42)	1	1
6	LG3364	Bearing (6004DD)	1	1
7	LG3365	Column, Steering	1	1
8	LG3366	Shaft, Steering (20)	1	1
9	LG1405	Seal, Steering	1	1
10-12	LG4162	Padded Steering Wheel Assembly	1	1
10	LG4160	Steering Wheel-Padded	1	1
11	LG3518	Decal, LG Mark	1	1
12	LG4161	Cap, Padded Steering Wheel	1	1
13	500327	Nut, Hex (M14x1.5)	1	1
14	N630187S8	Washer, Spring (14.2x3.5)	1	1
15	LG1862	Bolt, Hex w/Washer (M10x1.25x20)	4	4

STEERING CYLINDER





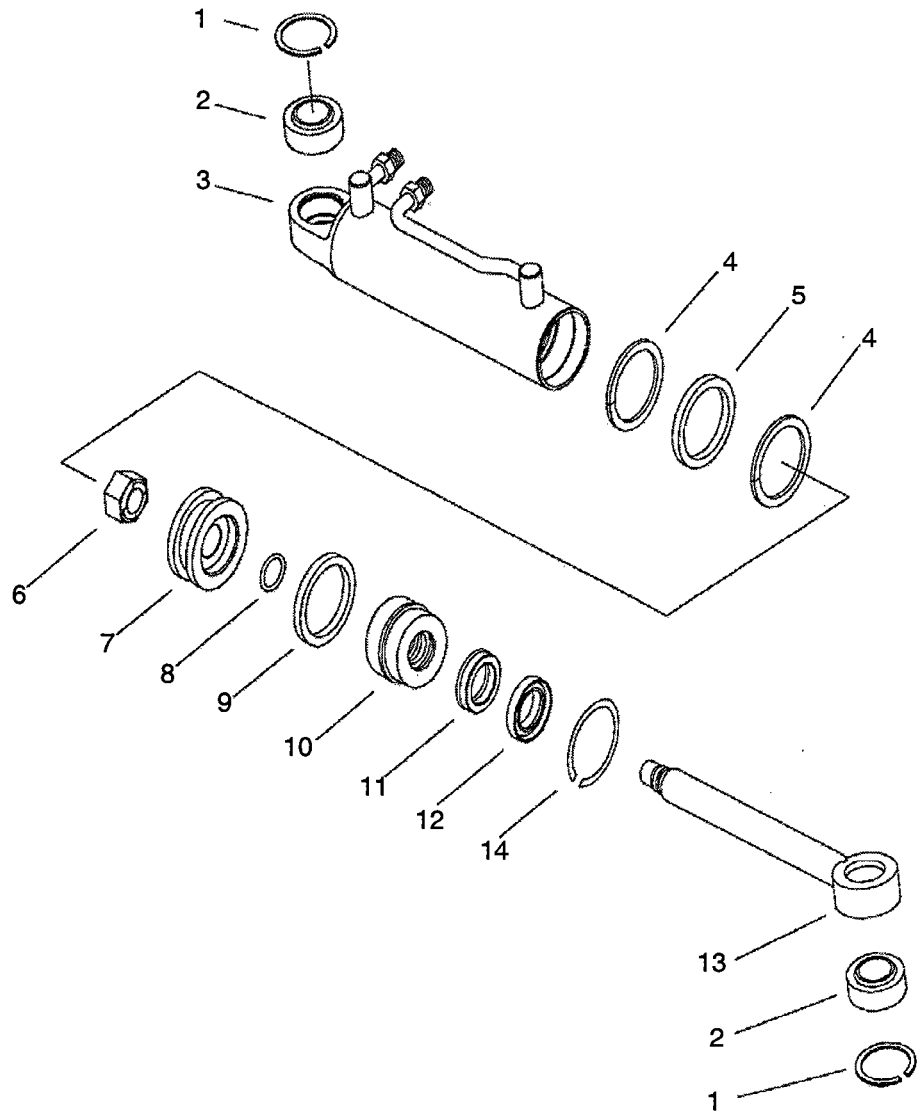
270DTC / 320DTC

STEERING SYSTEM

STEERING CYLINDER

ITEM No	PART No.	DESCRIPTION	QTY.	
			270 DTC	320 DTC
1	LG2287	Hose, Steering Cylinder	2	2
2	LG5298	Steering Cylinder	1	1
3	LG1475	Spacer, Cylinder Pin (10x5)	2	2
4	LG1314	Pin Assembly, Cylinder	2	2
5	LG1862	Bolt, Hex w/Washer (M10x1.25x20)	2	2

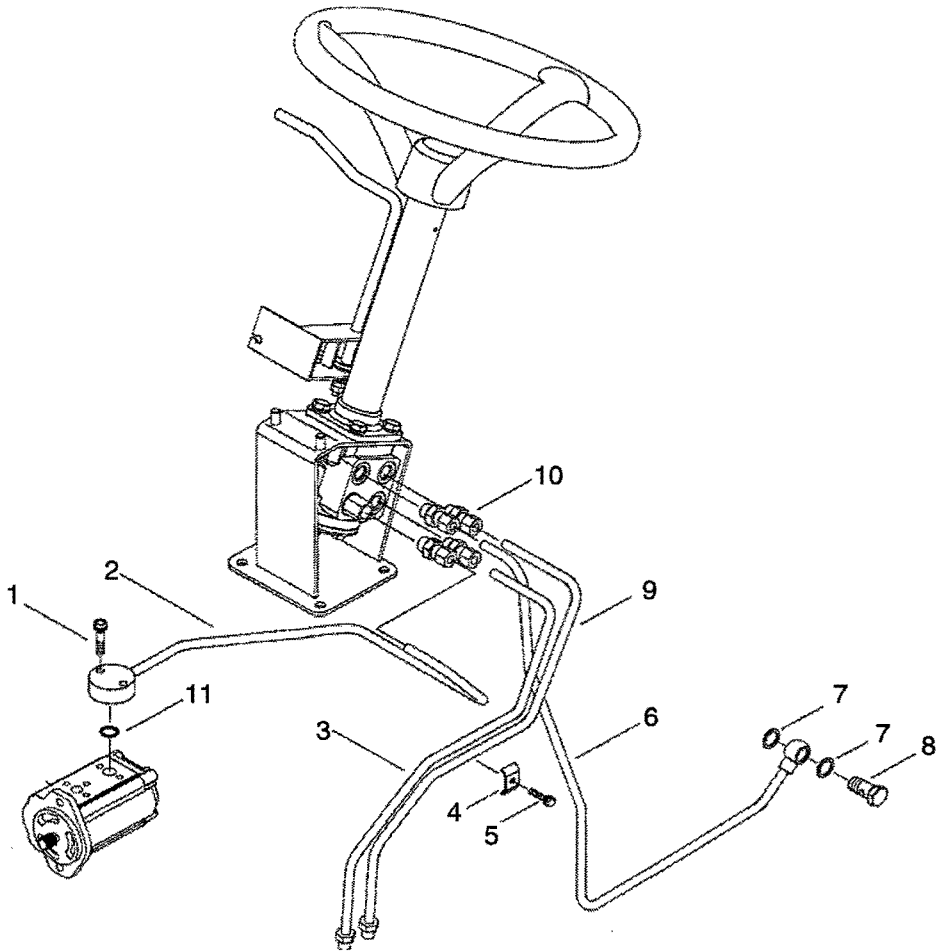
STEERING CYLINDER ASSEMBLY



STEERING CYLINDER ASSEMBLY

ITEM No	PART No.	DESCRIPTION	QTY.	
			270 DTC	320 DTC
1-14	LG5298	Steering Cylinder	1	1
1	LG1948	Ring, Snap	2	2
2	LG3352	Bushing, Ball	2	2
3	LG5300	Cylinder Assembly	1	1
4	LG5301	Ring, Backup	2	2
5	LG5528	O-Ring (38.7 x 3.5)	1	1
6	LG5529	Nut, Lock (M16 - 2.00)	1	1
7	LG5302	Piston	1	1
8	LG1272	O-Ring	1	1
9	LG4120	O-Ring	1	1
10	LG5303	Sleeve, Steering Cylinder	1	1
11	LG5304	U-Packing	1	1
12	LG5305	Seal, Dust	1	1
13	LG5306	Rod, Steering Cylinder	1	1
14	LG5307	Ring, Wire	1	1

STEERING PIPE LINE



STEERING PIPE LINE

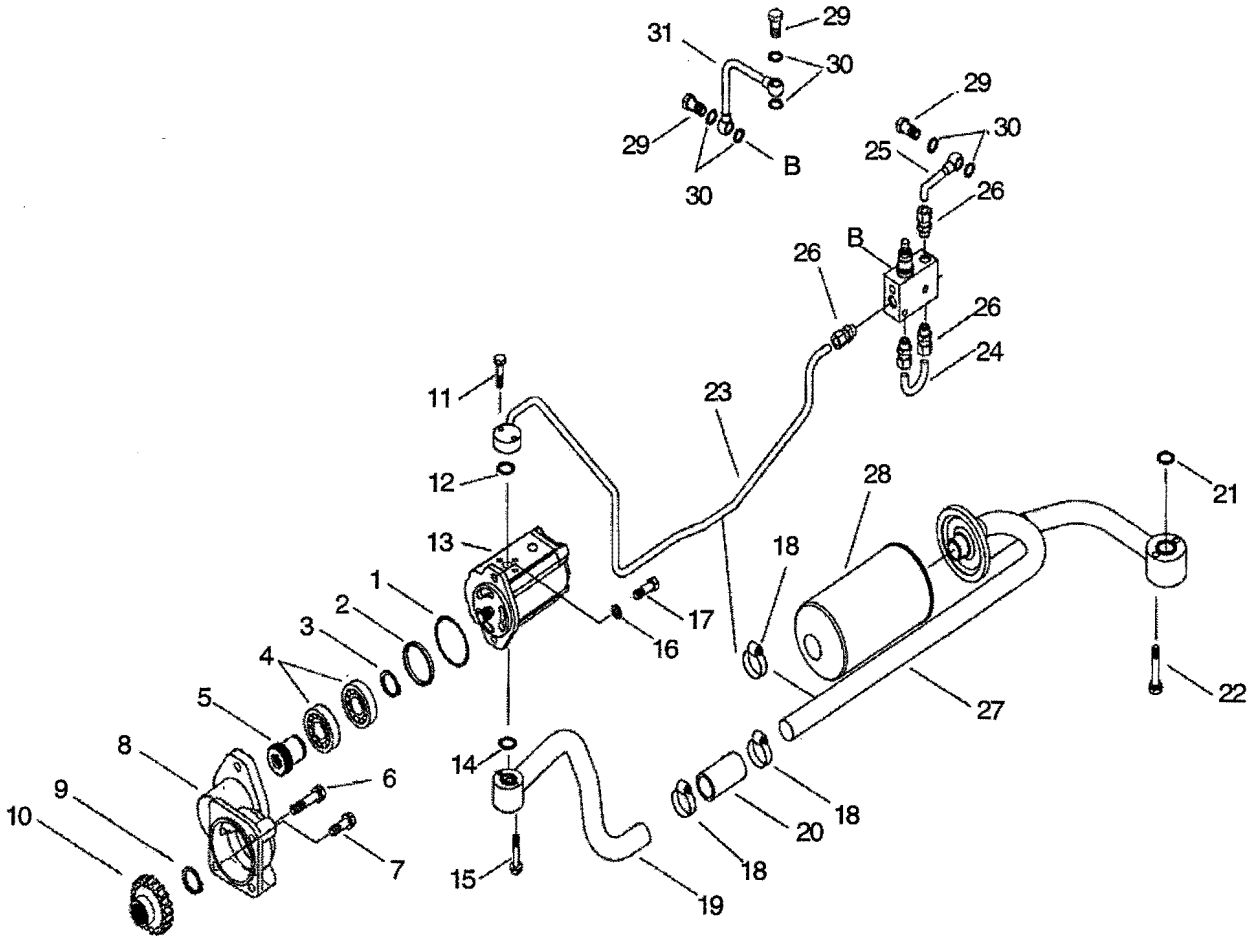
ITEM No	PART No.	DESCRIPTION	QTY.	
			270 DTC	320 DTC
1	N600422S8	Bolt, Hex (M8x1.25x35)	2	2
2,10	LG5310	Pressure Pipe Assembly-Steering	1	1
2	LG5311	Pipe, P/S Pressure	1	1
3,10	LG5312	Steering Pipe Assembly RH	1	1
3	LG5313	Pipe. P/S RH	1	1
4	LG5314	Clamp, Hydraulic Pipe	1	1
5	LG5530	Bolt, Hex w/Washer (M6x1.0x30)	1	1
6,10	LG5315	Steering Drain Pipe Assembly	1	1
6	LG5316	Pipe Steering Drain	1	1
7	LG3367	Seal, Bonded (24x16.8x1.5)	2	2
8	LG1708	Bolt, Union	1	1
9,10	LG5317	Steering Pipe Assembly LH	1	1
9	LG5318	Pipe, P/S LH	1	1
10	LG5531	Joint (10-03G)	4	4
11	LG1275	"O"-Ring (17.8x2.4)	1	1

NOTES

HYDRAULIC SYSTEM



HYDRAULIC LINES

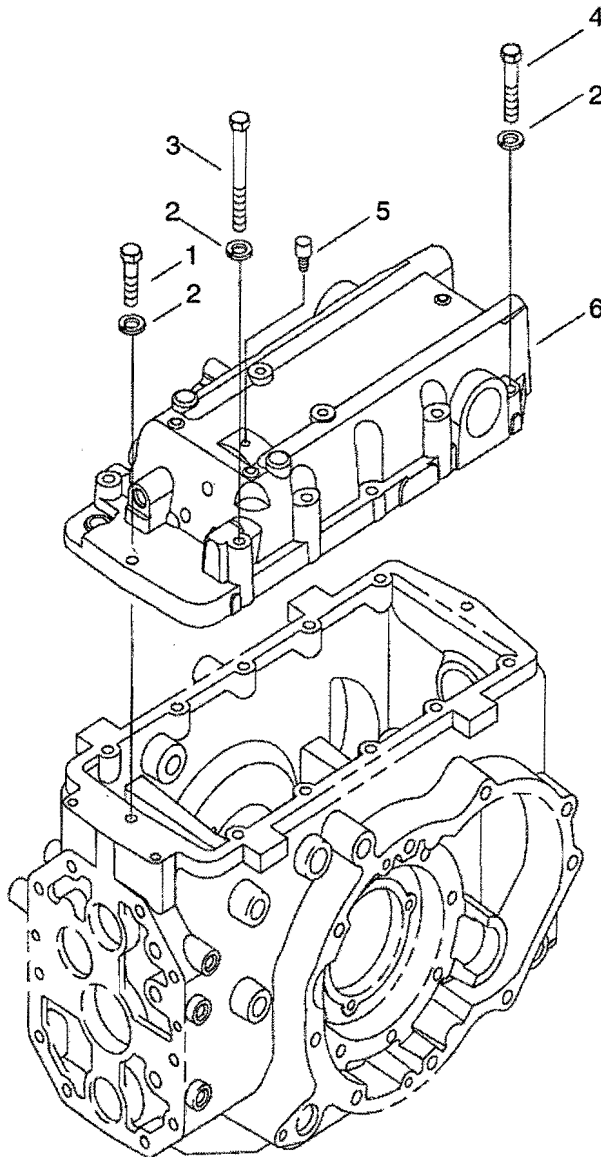


HYDRAULIC LINES

ITEM No	PART No.	DESCRIPTION	QTY.	
			270 DTC	320 DTC
1	LG1289	O-Ring (79.5x2.0)	1	1
2	LG4407	Spacer (60.5x5.5)	1	1
3	N661225S	Ring, Snap (30)	1	1
4	LG4408	Bearing, Ball	2	2
5	LG4409	Gear, Hyd. Pump Driven 22T	1	1
6	LG5549	Bolt, Hex w/Washer	2	2
7	LG1904	Bolt, Hex w/Washer	1	1
8	LG4410	Holder, Gear Pump	1	1
9	N661221S	Ring, Snap (25)	1	1
10	LG4411	Gear, Hyd. Pump Driven 45T	1	1
11	N600422S8	Bolt, Hex w/Washer (M8x1.25x35)	2	2
12	LG1275	O-Ring (17.8x2.4)	1	1
13	LG5338	Pump, Hydraulic	1	1
14	LG4412	O-Ring (23.5x2.0)	1	1
15	LG5550	Bolt, Hex w/Washer (M8x1.25x50)	2	2
16	N630174S8	Washer, Spring	2	2
17	LG3647	Bolt	2	2
18	LG4940	Clamp, Hose	3	3
19	LG5340	Pipe, Front (Suction)	1	1
20	LG5341	Hose, Pipe	1	1
21	LG5551	O-Ring (25.5x2.0)	1	1
22	LG3670	Bolt, Hex w/Washer (M10x1.25x60)	2	2
23,26	LG5342	Front Pressure Pipe Assembly	1	1
23	LG5343	Pipe, Front (Suction)	1	1
24,26	LG5344	Connection Pipe Assembly	1	1
24	LG5345	Pipe, Connection	1	1
25,26	LG5346	Rear Pressure Pipe Assembly	1	1
25	LG5347	Pipe, Rear (Pressure)	1	1
26	LG1195	Joint	4	4
27	LG5348	Pipe, Rear (Suction)	1	1
28	LG1097	Filter, Hydraulic	1	1
29	LG1708	Bolt, Union (3/8)	3	3
30	LG3367	Seal, Bonded (24x16.8x1.5)	6	6
31	LG5349	Pipe, Drain	1	1

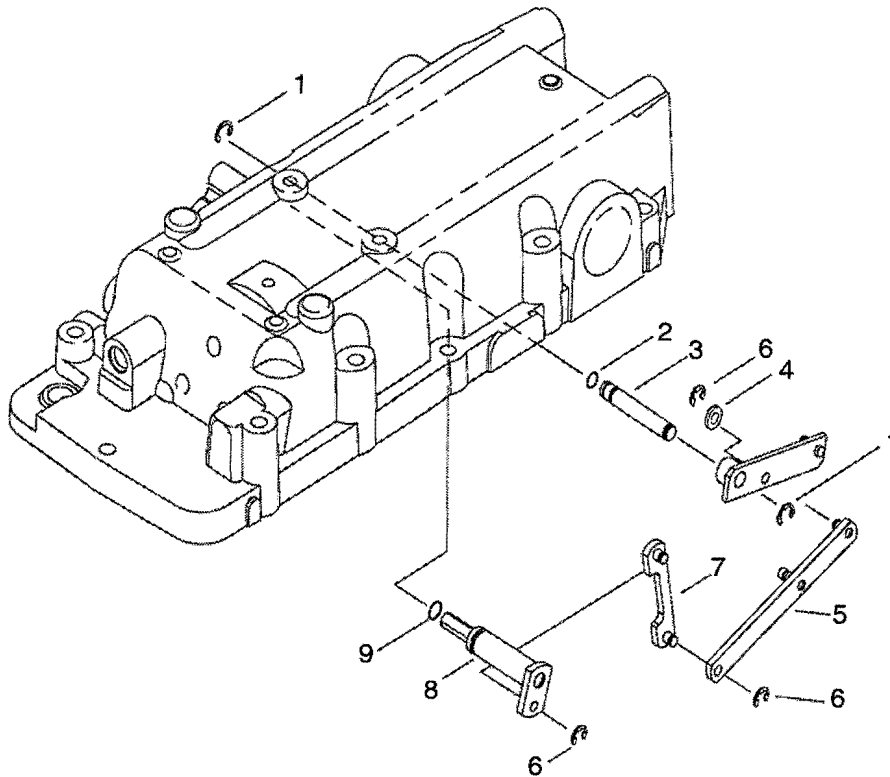
HYDRAULIC LIFT HOUSING

ITEM No.	PART No.	DESCRIPTION	QTY.	
			270 DTC	320 DTC
1	N600414S8	Bolt, Hex (M12.x1.75x45)	5	5
2	N630175S8	Washer, (M12x21.5x12.2x3)	12	12
3	LG1939	Bolt, Hex (M12x1.75x85)	3	3
4	N600417S8	Bolt, Hex (M12x1.75x60)	4	4
5	LG1002	Breather, Air	1	1
6	LG5330	Hydraulic Housing	1	1

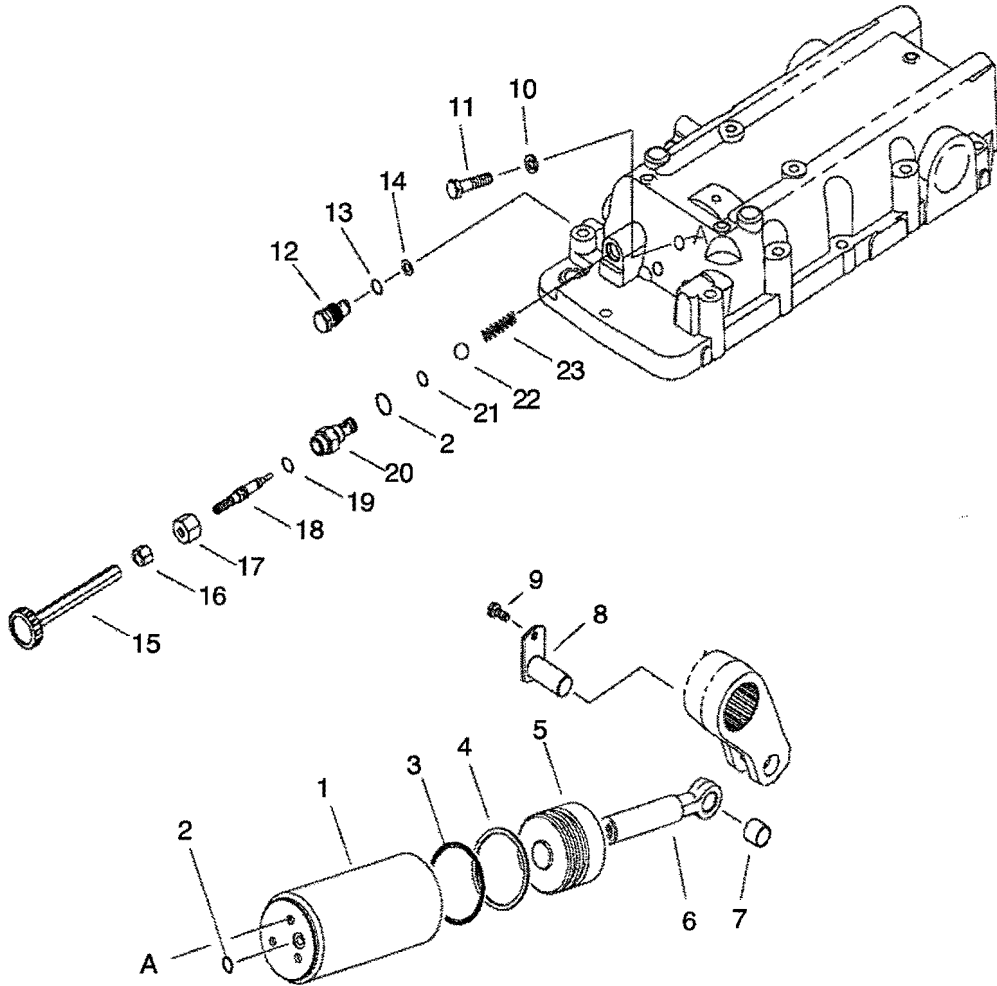


HYDRAULIC LINKAGE

ITEM No	PART No.	DESCRIPTION	QTY.	
			270 DTC	320 DTC
1	LG1875	Ring, Snap (9)	2	2
2	LG1270	O-Ring (8.8x1.9)	1	1
3	LG5350	Shaft, Link Support	1	1
4	N630068S8	Washer, Plain F-Rd. (17x8.4x1.6)	1	1
5	LG2367	Link, Position	1	1
6	LG1873	Ring, Snap (6)	3	3
7	LG1252	Link	1	1
8	LG5351	Shaft, Position	1	1
9	LG1293	O-Ring (15.8x2.4)	1	1



HYDRAULIC CYLINDER

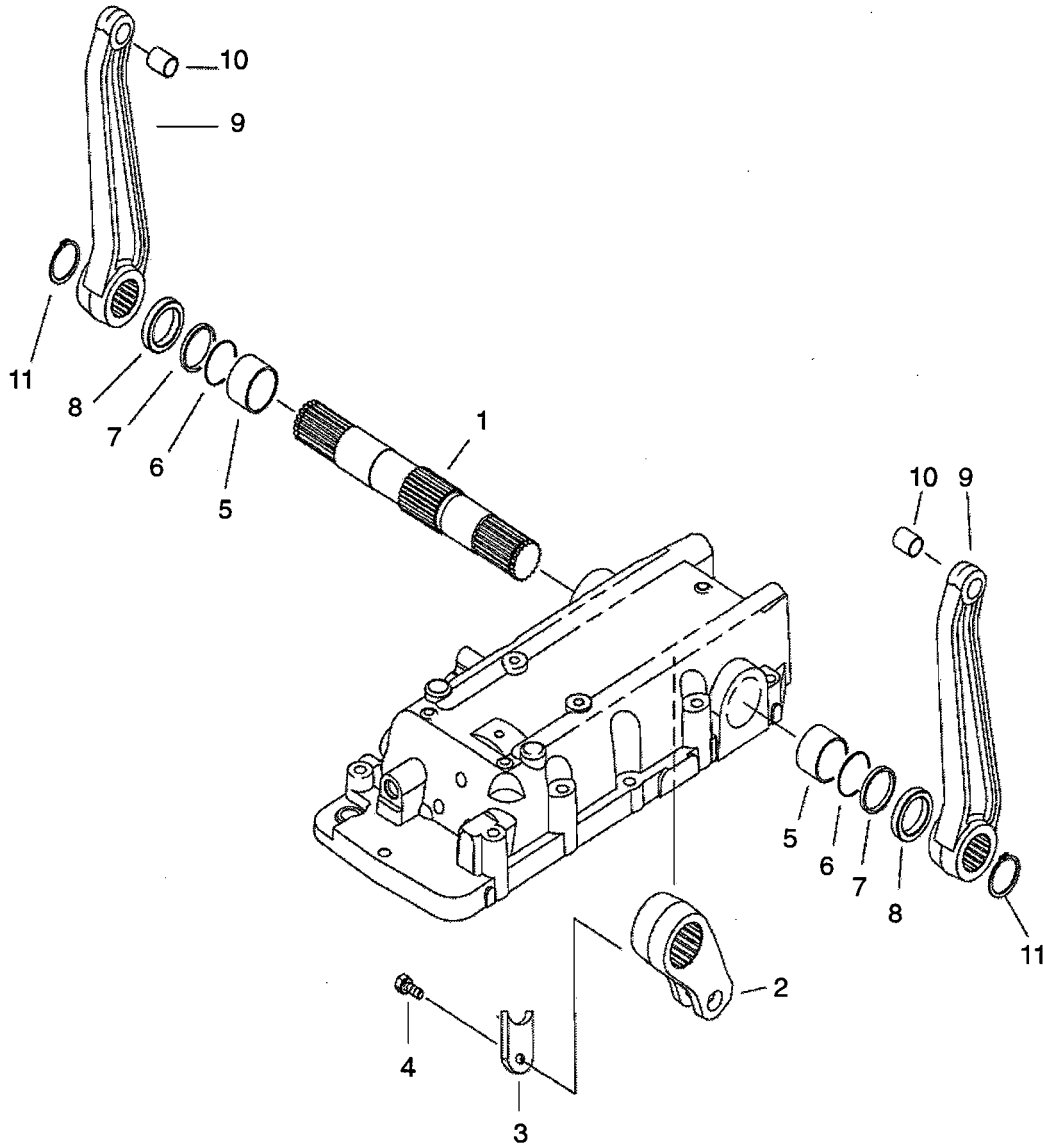


HYDRAULIC CYLINDER

ITEM No	PART No.	DESCRIPTION	QTY.	
			270 DTC	320 DTC
1	LG5357	Cylinder, Hydraulic	1	1
2	LG1273	O-Ring (13.8x2.4)	2	2
3	LG5552	O-Ring (71x5.7)	2	2
4	LG5358	Ring, Backup (70x60x3)	2	2
5	LG5359	Piston, Hydraulic	1	1
6	LG1390	Rod, Piston	1	1
7	LG1010	Bushing (22x25x20)	1	1
8	LG1318	Pin, Hydraulic	1	1
9	LG1968	Bolt, Hex (M8x1.25x16)	1	1
10	N630175S8	Washer, Lock (M12)	3	3
11	LG1965	Bolt, Hex (M12x1.25x50)	3	3
12	LG2379	Valve, Safety	1	1
13	LG1275	O-Ring (17.8x2.4)	1	1
14	LG1404	Seal (18x10.5x1)	1	1
15	LG5360	Knob	1	1
16	LG1890	Nut, Flange (M8x1.25)	1	1
17-22	LG2382	Flow Regulator	1	1
17	LG1966	Nut, Hex (M8x1.25)	1	1
18	LG1967	Screw, Adjusting	1	1
19	LG2499	O-Ring (5.8x1.9)	1	1
20	LG2383	Body, Regulator	1	1
21	LG1728	O-Ring (9.8x1.9)	1	1
22	LG2476	Ball, Steel (3/8)	1	1
23	LG2381	Spring	1	1

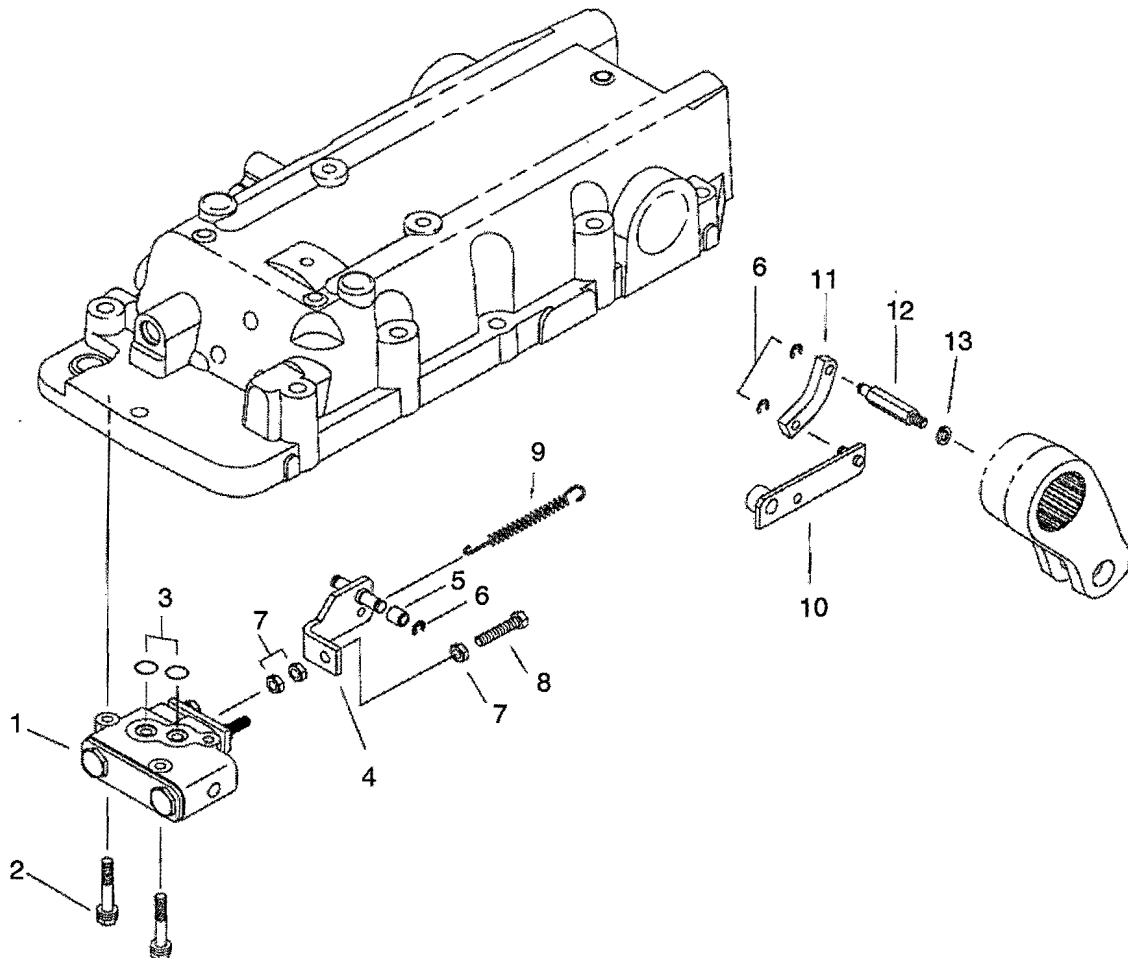
HYDRAULIC LIFT ARMS

ITEM No.	PART No.	DESCRIPTION	QTY.	
			270 DTC	320 DTC
1	LG1426	Shaft, Hydraulic Lift	1	1
2	LG1704	Arm, Power	1	1
3	LG1359	Plate, Lock	1	1
4	LG1860	Bolt, Hex w/Washer (M8x1.25x16)	1	1
5	LG1009	Bushing	2	2
6	LG1279	O-Ring (44.1x3.1)	2	2
7	LG1052	Collar (45x50x5)	2	2
8	LG5553	Spacer	2	2
9	LG5331	Arm, Lift	2	2
10	LG2012	Bushing	2	2
11	N66123S8	Ring, Snap (38.5)	2	2

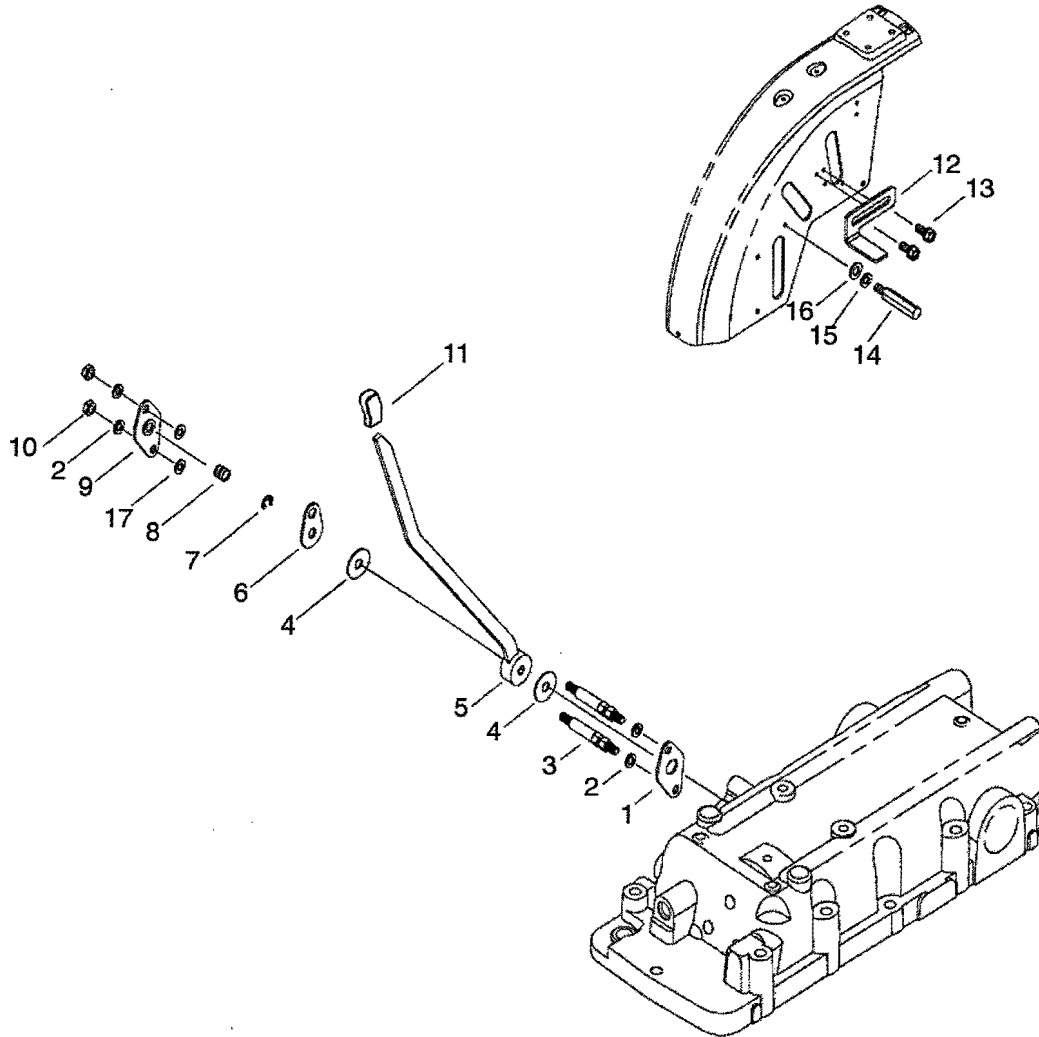


CONTROL VALVE AND LINK

ITEM No	PART No.	DESCRIPTION	QTY.	
			270 DTC	320 DTC
1	LG5332	Valve, Control	1	1
2	LG1954	Bolt, Hex w/Washer (M8x1.25x50)	3	3
3	LG1271	O-Ring (11.8x2.4)	2	2
4-6	LG5333	Clevis Assembly	1	1
4	LG1955	Clevis	1	1
5	LG5334	Roller (12x8x12.5)	1	1
6	LG1873	Ring, Snap (6)	3	3
7	N6200135S	Nut, Hex (M8x1.25)	3	3
8	500347	Bolt, Hex (M8x1.25x50)	1	1
9	LG4165	Spring	1	1
10	LG2369	Link	1	1
11	LG2013	Link	1	1
12	LG1956	Pin	1	1
13	N630173S8	Washer, Lock (M8)	1	1



HYDRAULIC CONTROL LEVER

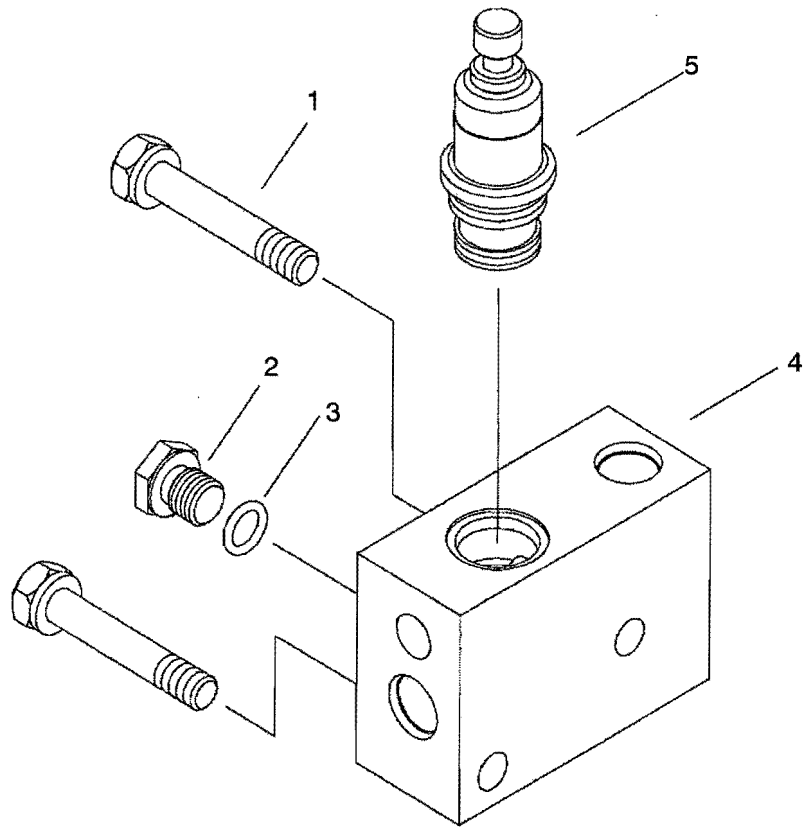


HYDRAULIC CONTROL LEVER

ITEM No	PART No.	DESCRIPTION	QTY.	
			270 DTC	320 DTC
1	LG1057	Cover	1	1
2	N630174S8	Washer, Lock (M10)	4	4
3	LG5352	Support, Lever	2	2
4	LG2372	Plate, Friction	1	1
5	LG5353	Lever, Position Control	1	1
6	LG5355	Plate, Locking	1	1
7	N661208S	Ring, Snap (12)	1	1
8	LG3957	Spring	1	1
9	LG2373	Cover, Spring	1	1
10	500307	Nut, Hex (M10x1.25)	2	2
11	LG3327	Knob	1	1
12	LG5354	Stopper, Lever (Upper)	1	1
13	LG1971	Bolt, Hex w/Washer (M8x1.25x16)	2	2
14	LG5356	Stopper, Lever (Lower)	1	1
15	N630173S8	Washer, Lock (M8)	1	1
16	N630068S8	Washer, Flat (M8)	1	1
17	LG5568	Shim	AR	AR

RELIEF VALVE

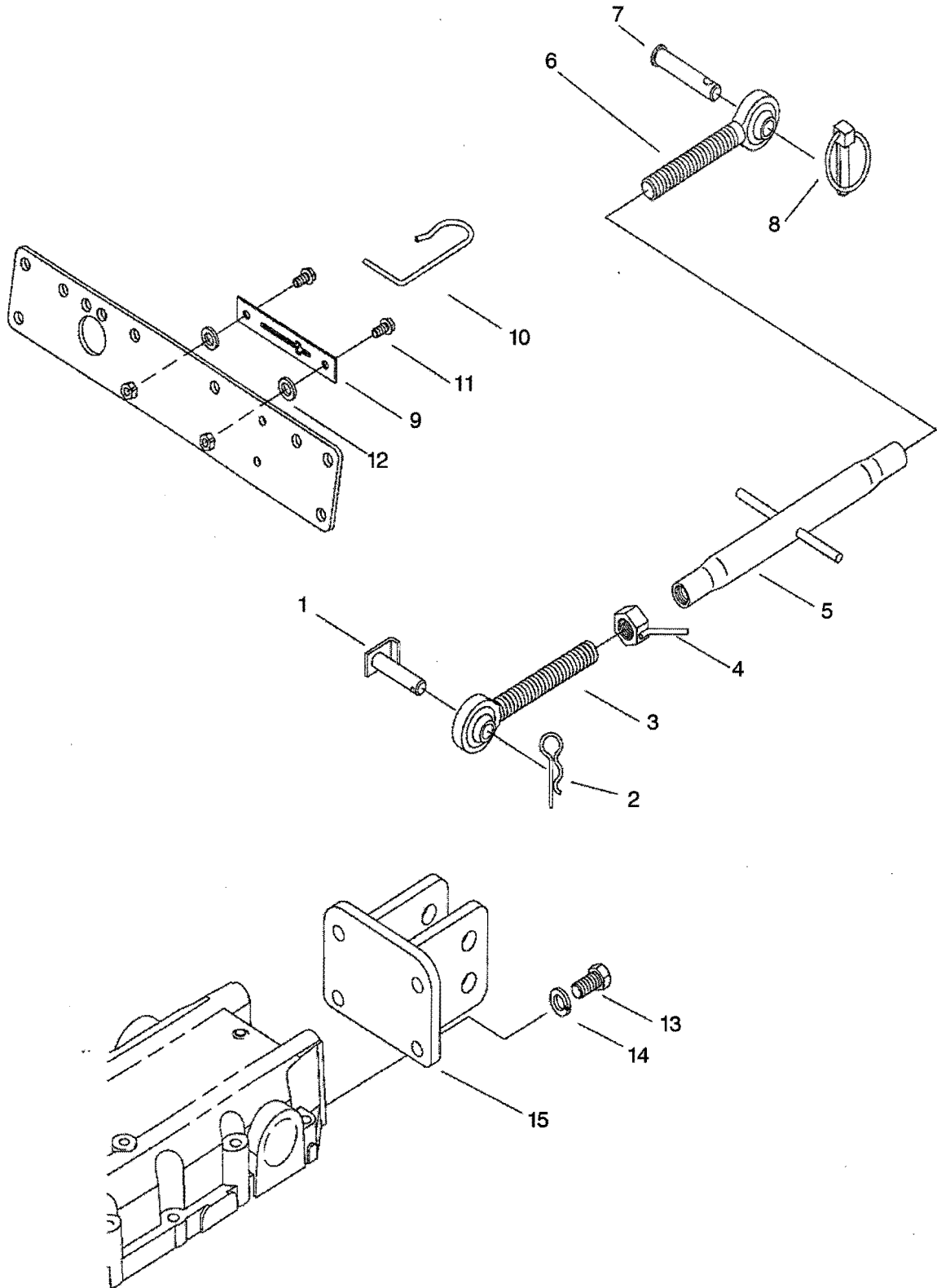
ITEM No.	PART No.	DESCRIPTION	QTY.	
			270 DTC	320 DTC
1	LG3670	Bolt, Hex w/Washer (M10x1.25x60)	2	2
2-5	LG5335	Relief Valve Assembly	1	1
2	LG4392	Plug (1/4)	1	1
3	LG1486	O-Ring (10.8x2.4)	1	1
4	LG5336	Block, Relief Valve	1	1
5	LG5337	Relief Valve	1	1



THREE POINT HITCH



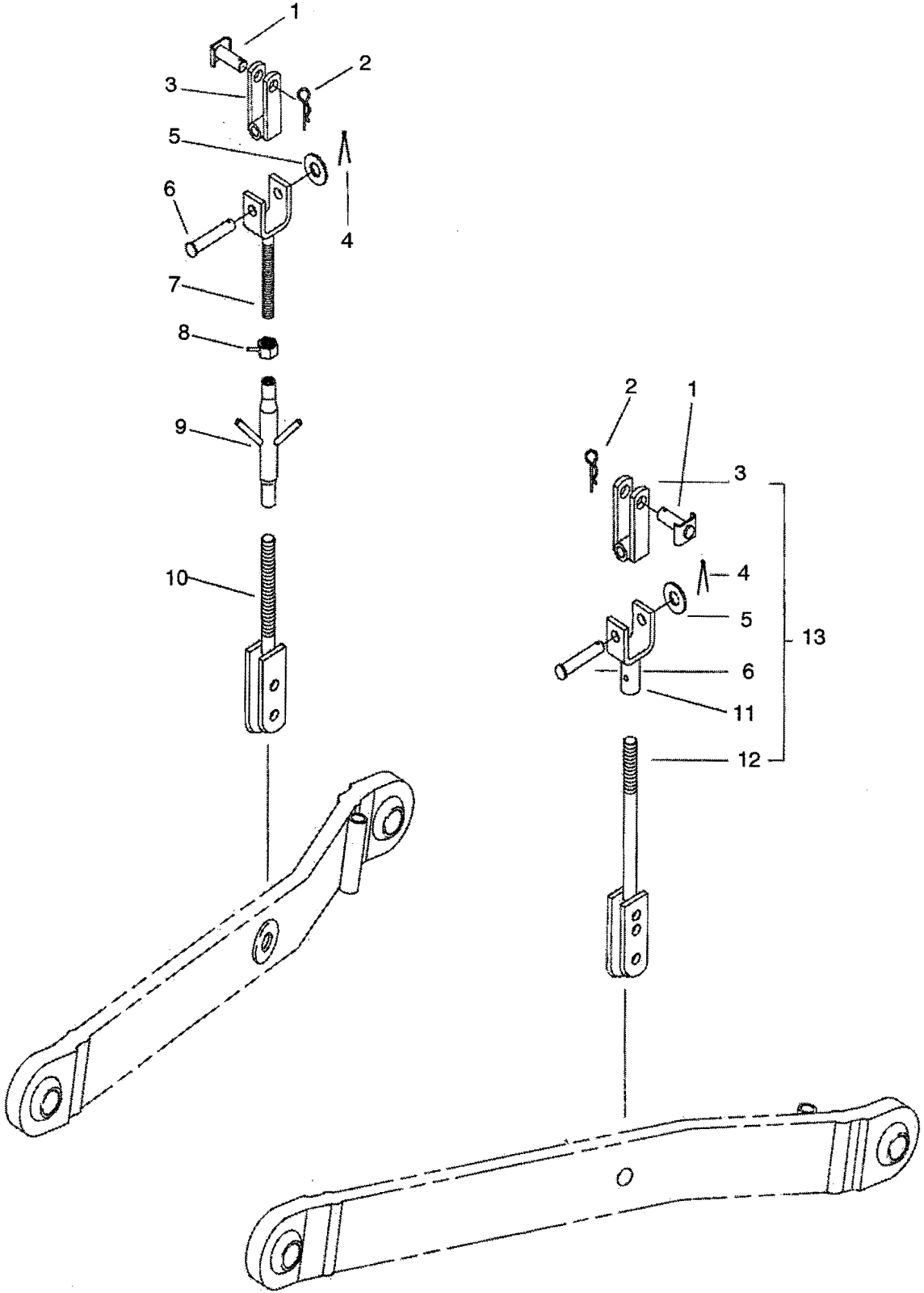
UPPER LINK



UPPER LINK

ITEM No	PART No.	DESCRIPTION	QTY.	
			270 DTC	320 DTC
1	LG1326	Pin, Top Link Front	1	1
2	LG1991	Pin, Hair	3	3
3-8	LG5363	Top Link w/Pin Assembly	1	1
3-6	LG3444	Link Assembly	1	1
3	LG3445	End, Top Link (Front)	1	1
4	LG1993	Nut, Lock	1	1
5	LG3446	Turn Buckle	1	1
6	LG3447	End, Top Link (Rear)	1	1
7	LG1994	Pin, Top Link	1	1
8	LG1320	Pin, Link	1	1
9	LG4951	Bracket, Hook	1	1
10	LG3449	Hook, Top Link	1	1
11	LG1896	Bolt, Hex w/Washer (M8x1.25x35)	2	2
12	LG3450	Spacer, Grill	2	2
13	500179S8	Bolt, Hex (M14x2.0x35)	4	4
14	N630187S8	Washer, Lock (M14)	4	4
15	LG5554	Bracket, Top Link	1	1

LIFT ROD

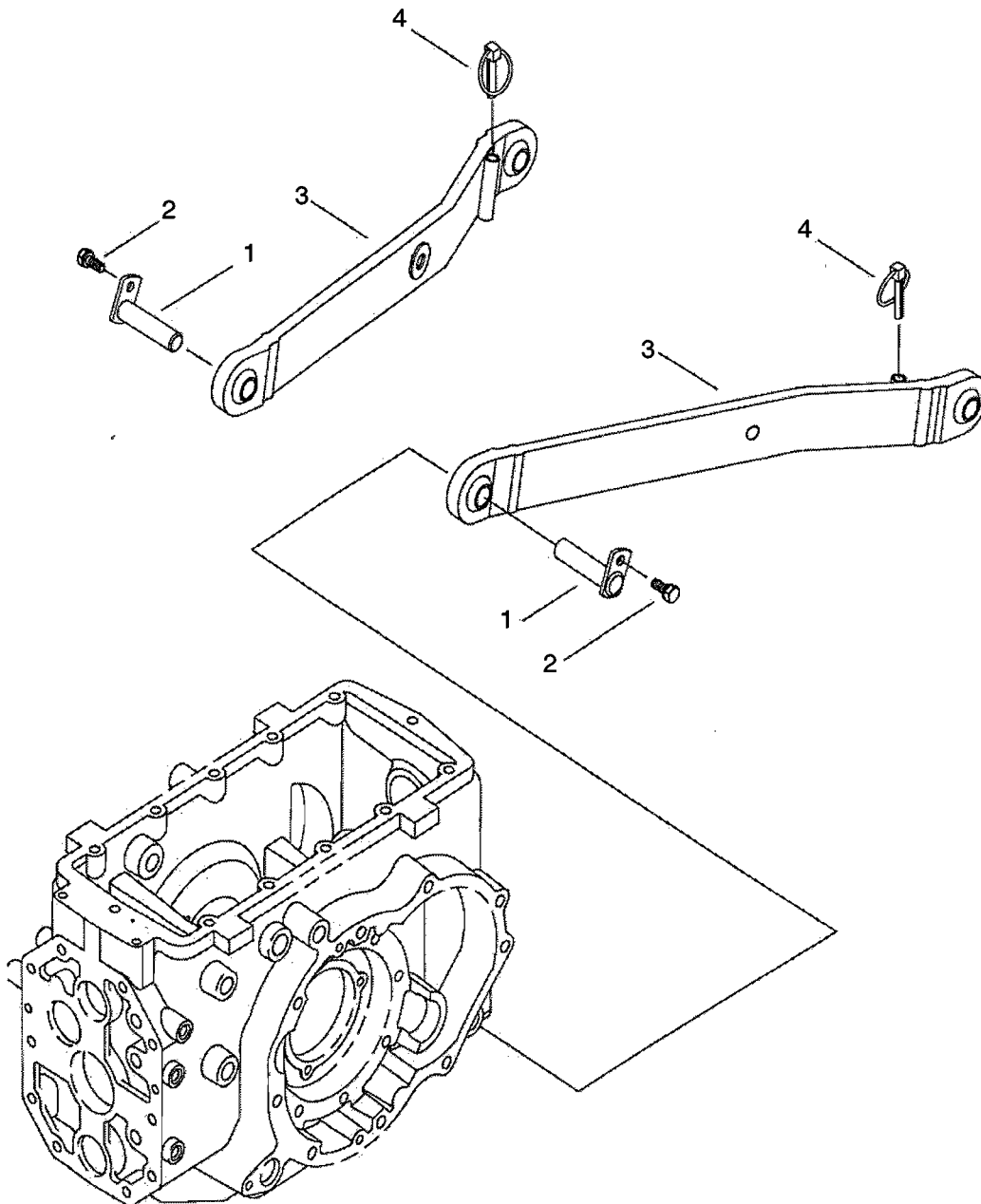


LIFT ROD

ITEM No	PART No.	DESCRIPTION	QTY.	
			270 DTC	320 DTC
1	LG1995	Pin, Lift Rod	2	2
2	LG1991	Pin, Hair	2	2
3-10	LG5366	Lift Rod Assembly (RH)	1	1
3	LG3567	Joint, Lift Rod	2	2
4	N642591S8	Pin, Split	2	2
5	N630072S8	Washer, Flat (M16)	2	2
6	LG5368	Pin, Lift Rod	2	2
7	LG5369	Rod, Upper Lift	1	1
8	LG5555	Nut	1	1
9	LG5370	Turn Buckle	1	1
10	LG5371	Rod, Lower Lift	1	1
11	LG5372	Rod, Upper Lift	1	1
12	LG5374	Rod, Lower Lift	1	1
13	LG5373	Lift Rod Assembly (LH)	1	1

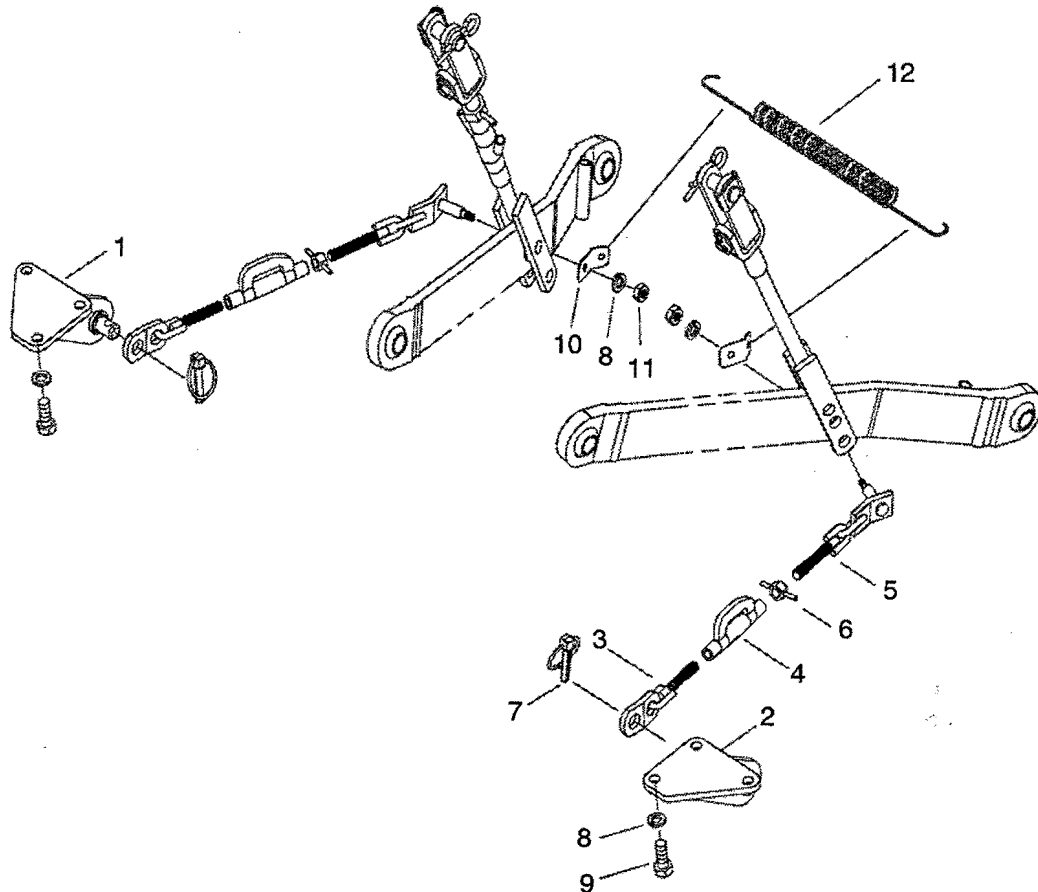
LOWER LINK

ITEM No.	PART No.	DESCRIPTION	QTY.	
			270 DTC	320 DTC
1	LG5364	Pin, Lower Link	2	2
2	LG1863	Bolt, Hex w/Washer (M10x1.25x25)	2	2
3	LG5365	Lower Link Assembly	2	2
4	LG1320	Pin, Link	2	2



CHECK CHAINS

ITEM No	PART No.	DESCRIPTION	QTY.	
			270 DTC	320 DTC
1	LG5532	Bracket, Check (RH)	1	1
2	LG5533	Bracket, Check (LH)	1	1
3-6	LG5375	Check Chain Assembly	2	2
3	LG3461	Chain, Front	2	2
4	LG5376	Turn Buckle	2	2
5	LG5377	Chain, Rear	2	2
6	LG2000	Nut, Lock (M14x1.5(LH))	2	2
7	LG1320	Pin, Link	2	2
8	N630189S8	Washer, Lock (M14)	8	8
9	500179S8	Bolt, Hex (M14x2.0x35)	6	6
10	LG2460	Bracket, Spring	2	2
11	500327	Nut, Hex (M14x1.25)	2	2
12	LG5378	Spring, Lower Link	1	1

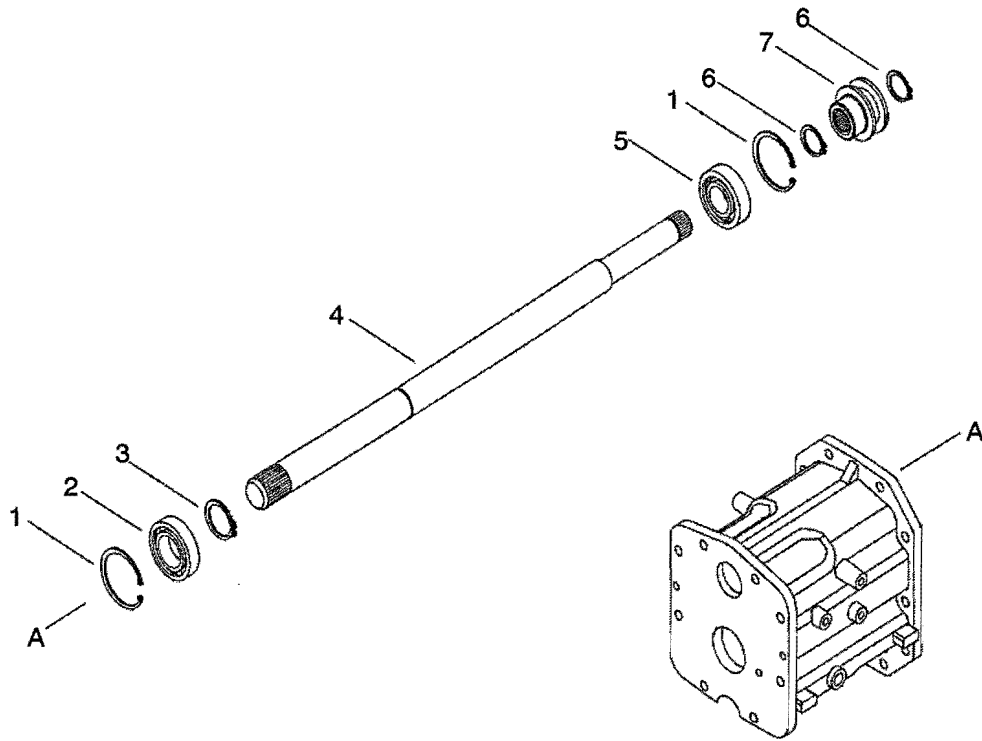


NOTES

POWER TAKE-OFF



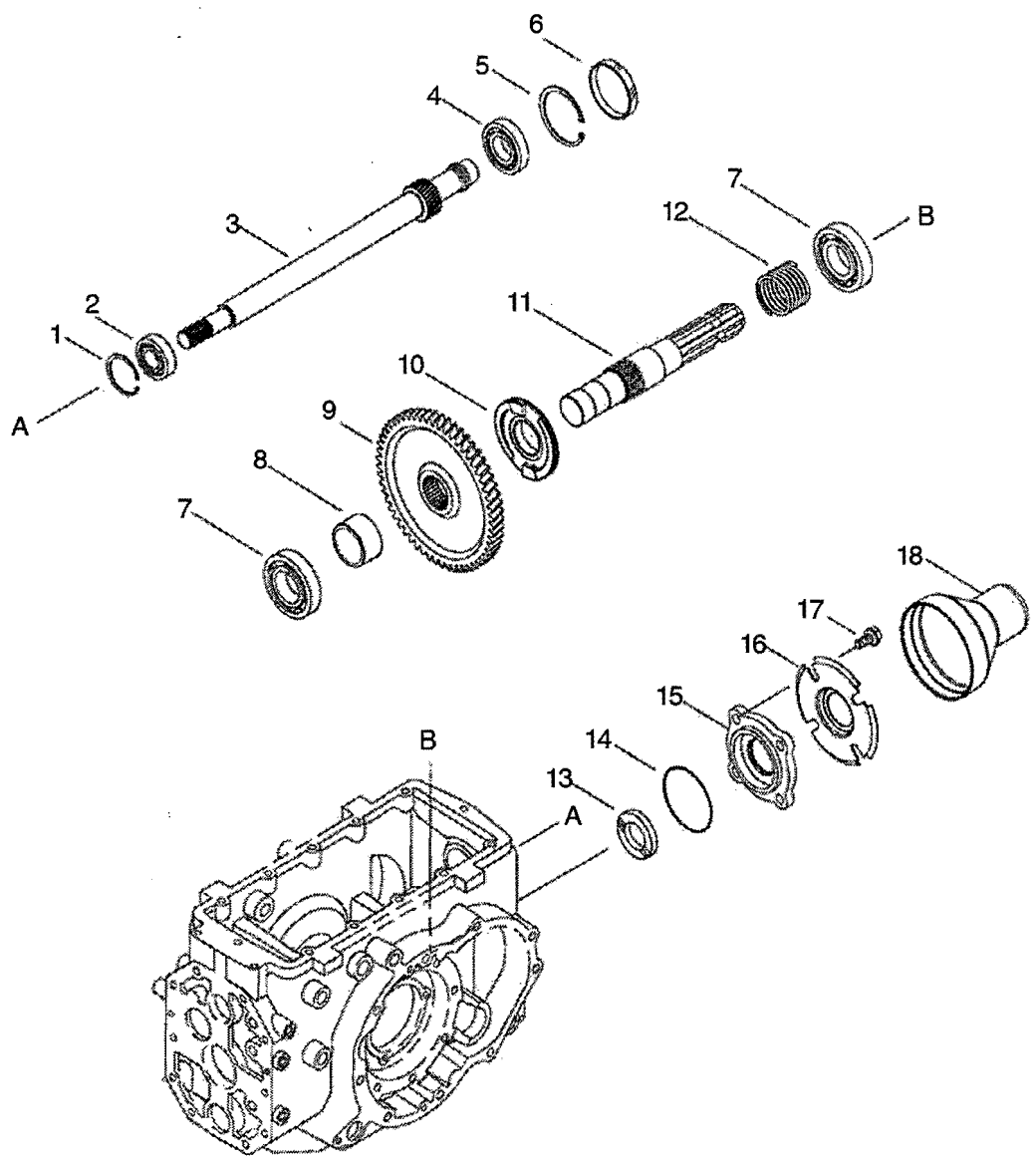
PTO SHAFT



PTO SHAFT

ITEM No	PART No.	DESCRIPTION	QTY.	
			270 DTC	320 DTC
1	N660242S	Ring, Snap (C) H. (50.5)	2	2
2	LG2047	Bearing, Ball	1	1
3	N661221S	Ring, Snap (23.2)	1	1
4	LG5158	Shaft, PTO Connect	1	1
5	LG1716	Bearing, Ball	1	1
6	N661216S	Ring, Snap (18.5)	2	2
7	LG5159	Selector, PTO	1	1

PTO DRIVE SHAFT



PTO DRIVE SHAFT

ITEM No	PART No.	DESCRIPTION	QTY.	
			270 DTC	320 DTC
1	N660242S	Ring, Snap (50.5)	1	1
2	LG1716	Bearing, Ball	1	1
3	LG5166	Shaft, PTO Drive w/Gear 17T.	1	1
4	LG5167	Bearing, Ball	1	1
5	N660250S	Ring, Snap (66.2)	1	1
6	LG1028	Cap, Rubber	1	1
7	LG1720	Bearing, Ball	2	2
8	LG5573	Spacer	1	1
9	LG5168	Gear, PTO Driven 79T	1	1
10	LG5169	Cam, ORC	1	1
11	LG5170	Shaft, PTO	1	1
12	LG5574	Spring	1	1
13	LG5171	Seal, Oil (35x52x9)	1	1
14	LG1301	O-Ring (69.5x2.0)	1	1
15	LG5172	Cover, PTO Shaft	1	1
16	LG5173	Guide	1	1
17	LG1863	Bolt, Hex w/Washer (10x1.25x25)	4	4
18	LG5174	Cover, Safety	1	1

NOTES

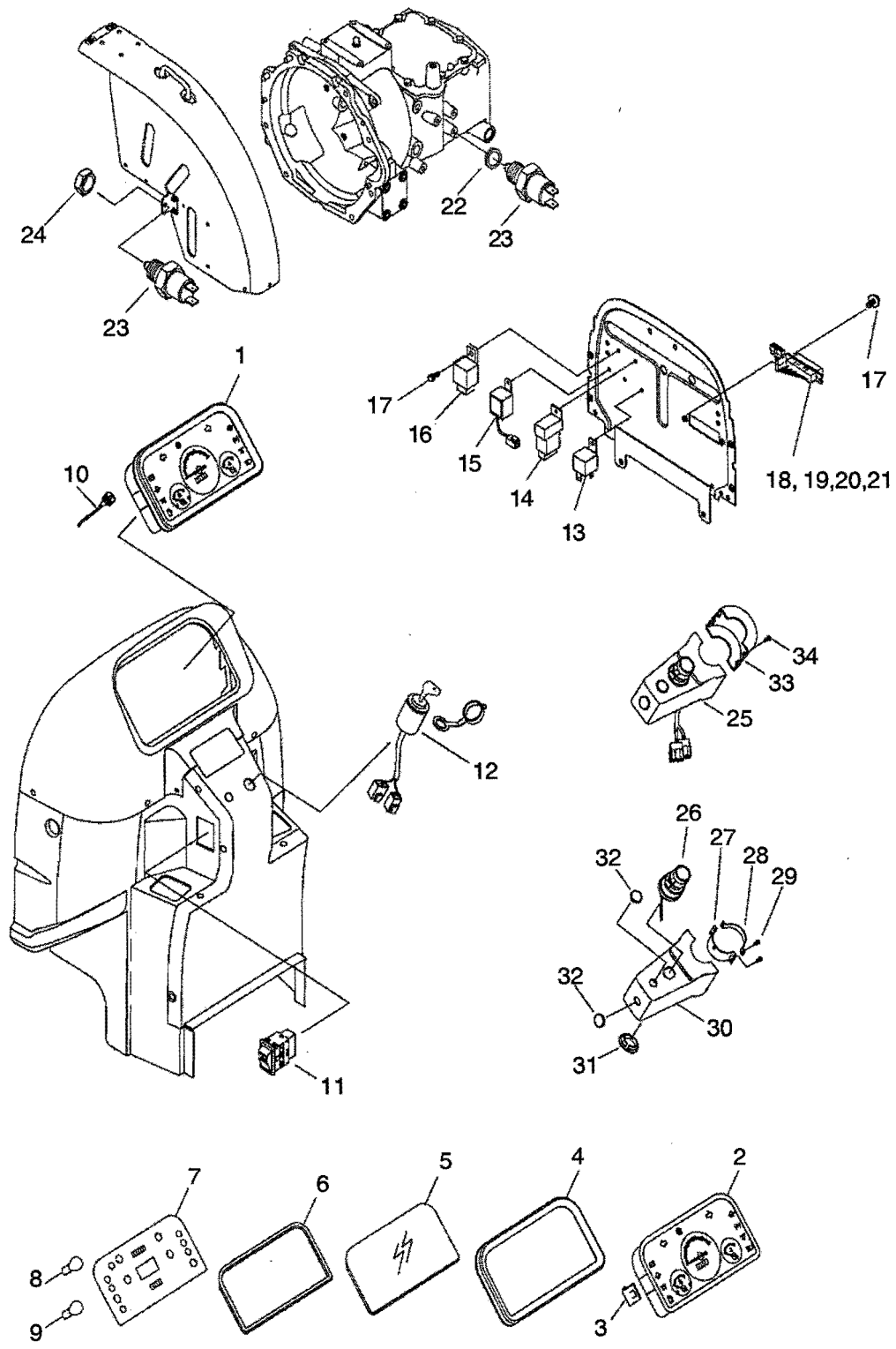
270 DTC / 320 DTC

SECTION 17

ELECTRICAL SYSTEM



INSTRUMENT PANEL

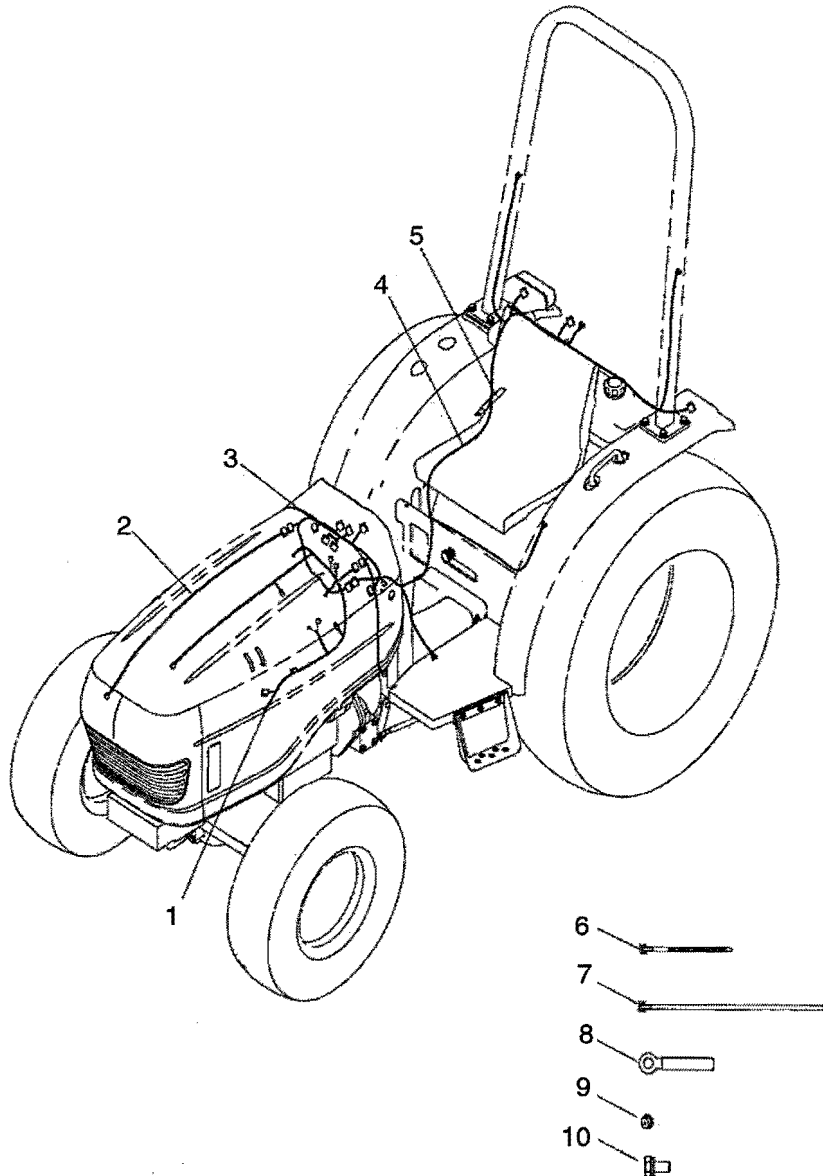


INSTRUMENT PANEL

ITEM No	PART No.	DESCRIPTION	QTY.	
			270 DTC	320 DTC
1	LG4375	Instrument Panel Assembly	1	1
2	LG4376	Meter Panel Assembly	1	1
3	LG4098	Bracket, Panel	2	2
4	LG4099	Hood, Panel	1	1
5	LG4100	Window ,Glass Panel	1	1
6	LG4101	Packing, Panel	1	1
7	LG4102	PCB, Circuit Plate	1	1
8	LG3378	Bulb (12V, 1.4W)	6	6
9	LG3379	Bolb (12V, 3.4W)	6	6
10	LG4377	Cable, Tachometer	1	1
11	LG3382	Switch, Emergency	1	1
12	LG5324	Key, Switch Assembly	1	1
13	LG5325	Relay, Glow	1	1
14	LG5326	Flasher	1	1
15	LG4383	Timer, Engine Stop	1	1
16	LG4378	Relay, Start	1	1
17	LG1978	Bolt, Hex w/Washer (M6x1.0x16)	5	5
18	LG4380	Fuse Box Assembly	1	1
19	LG2043	Fuse (10A)	6	6
20	LG2044	Fuse (15A)	2	2
21	LG2045	Fuse (20A)	3	3
22	LG5327	Seal, Plug	1	1
23	LG5328	Switch, Safety	2	2
24	LG5443	Nut, Hex (3T) (M14x1.5)	1	1
25	LG5329	Steering Column S/W Assembly	1	1
26	LG4178	Switch, Combination	1	1
27	LG4179	Clamp, Half Switch	1	1
28	LG4180	Clamp, Half Column	1	1
29	LG4181	Screw (M4x0.7x12)	4	4
30	LG4885	Cover, Combination Switch	1	1
31	LG4886	Rubber, Cap	1	1
32	LG4887	Rubber, Cap	2	2
33	LG4204	Screw (M4x0.7x25)	2	2
34	LG2336	Cover, Combination Switch	1	1

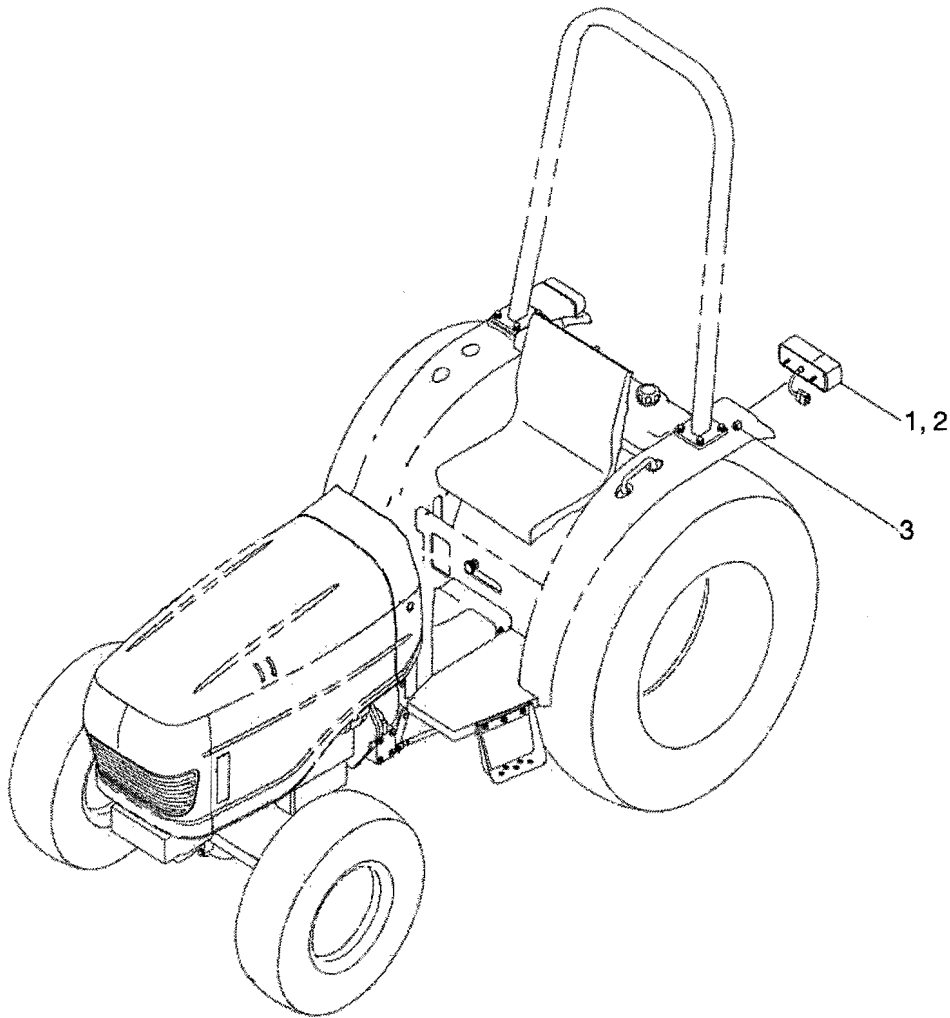
ELECTRICAL WIRING

ITEM No.	PART No.	DESCRIPTION	QTY.	
			270 DTC	320 DTC
1	LG5319	Harness, Engine	1	1
2	LG3372	Harness, Front Light	1	1
3	LG5320	Harness, Panel	1	1
4	LG5321	Harness, Middle	1	1
5	LG4878	Ring Clamp	3	3
6	LG2035	Tie, Wrap	5	5
7	LG3727	Tie, Wrap	5	5
8	LG4898	Ring Clamp	3	3
9	LG1981	Nut, Flange B-TY (M5x1.0)	1	1
10	LG1862	Bolt, Hex w/Washer (M10x1.25x20)	1	1

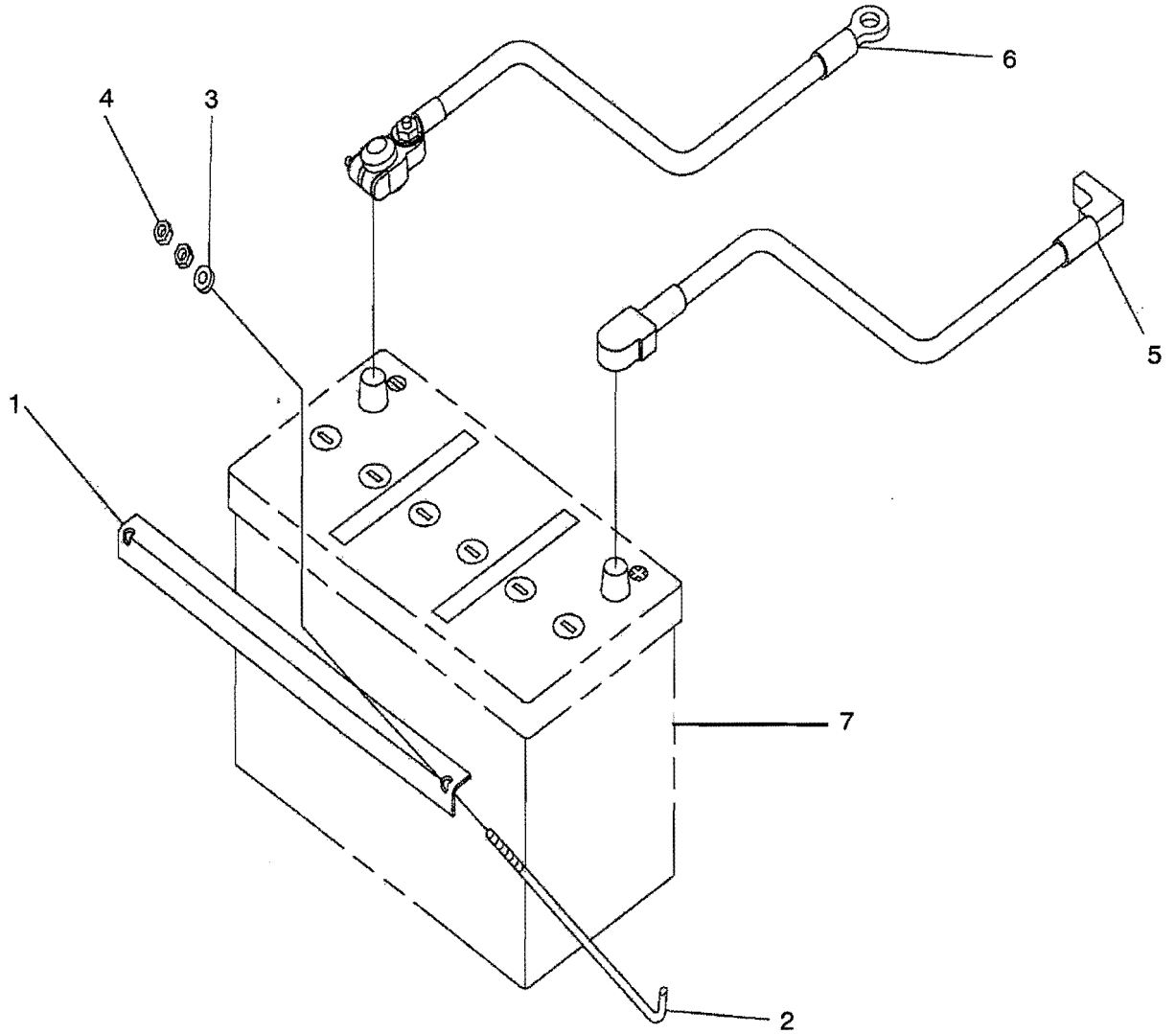


LAMP

ITEM No	PART No.	DESCRIPTION	QTY.	
			270 DTC	320 DTC
1	LG3602	Rear Clamp Assembly (RH)	1	1
2	LG3603	Rear Clamp Assembly (LH)	1	1
3	LG1982	Nut, Flange B-TY (M6x1.0)	4	4



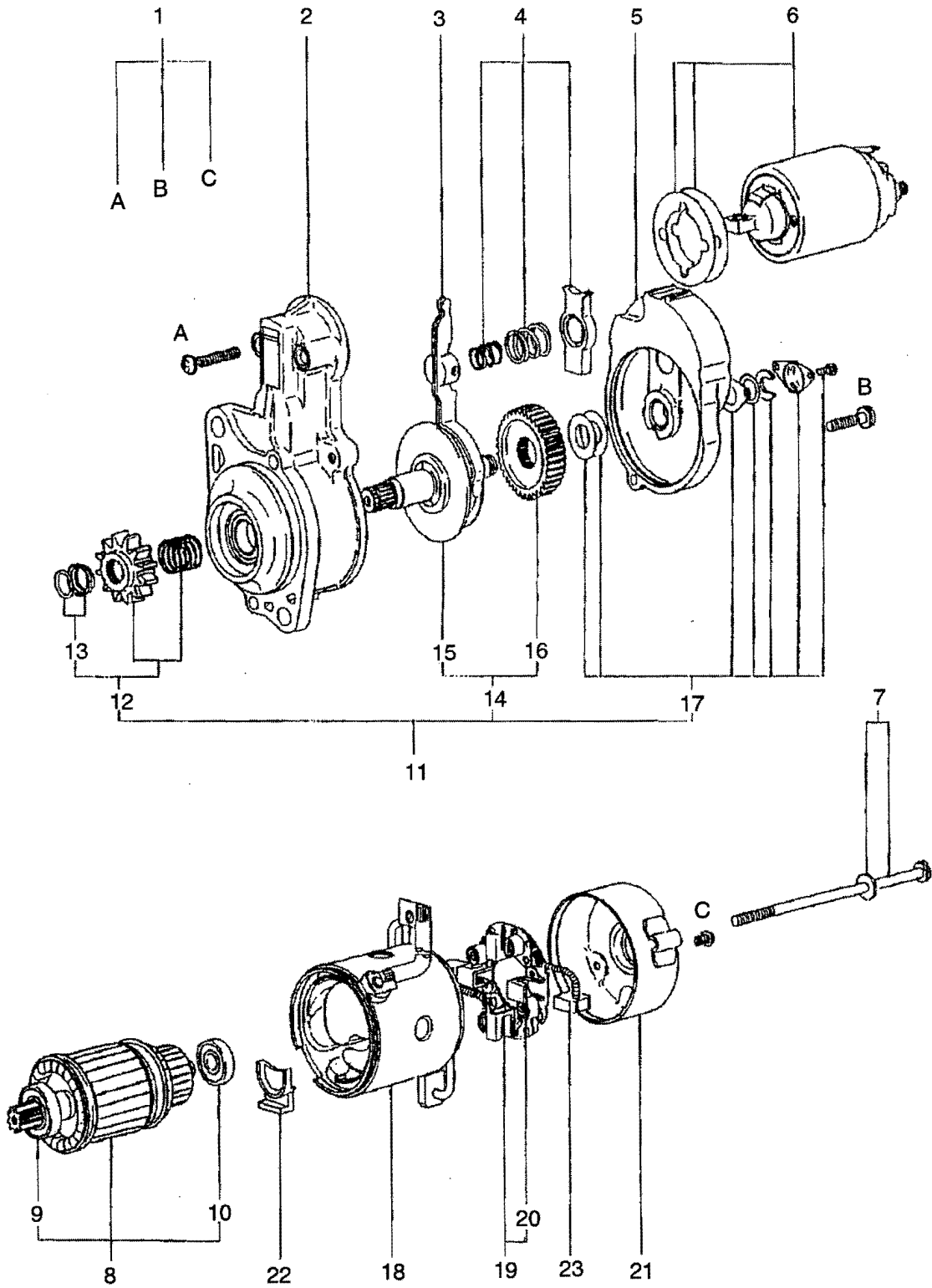
BATTERY



BATTERY

ITEM No	PART No.	DESCRIPTION	QTY.	
			270 DTC	320 DTC
1	LG2321	Clamp, Battery	1	1
2	LG2340	Rod, Battery Clamp	2	2
3	N630067S8	Washer, Plain S-RD.(11.5x6.4x1.6)	2	2
4	N620012S8	Nut, Hex 2TY (M6x1.0)	4	4
5	LG5322	Cable, Battery (+)	1	1
6	LG5323	Cable, Battery (-)	1	1
7	783183	Battery	1	1

STARTER

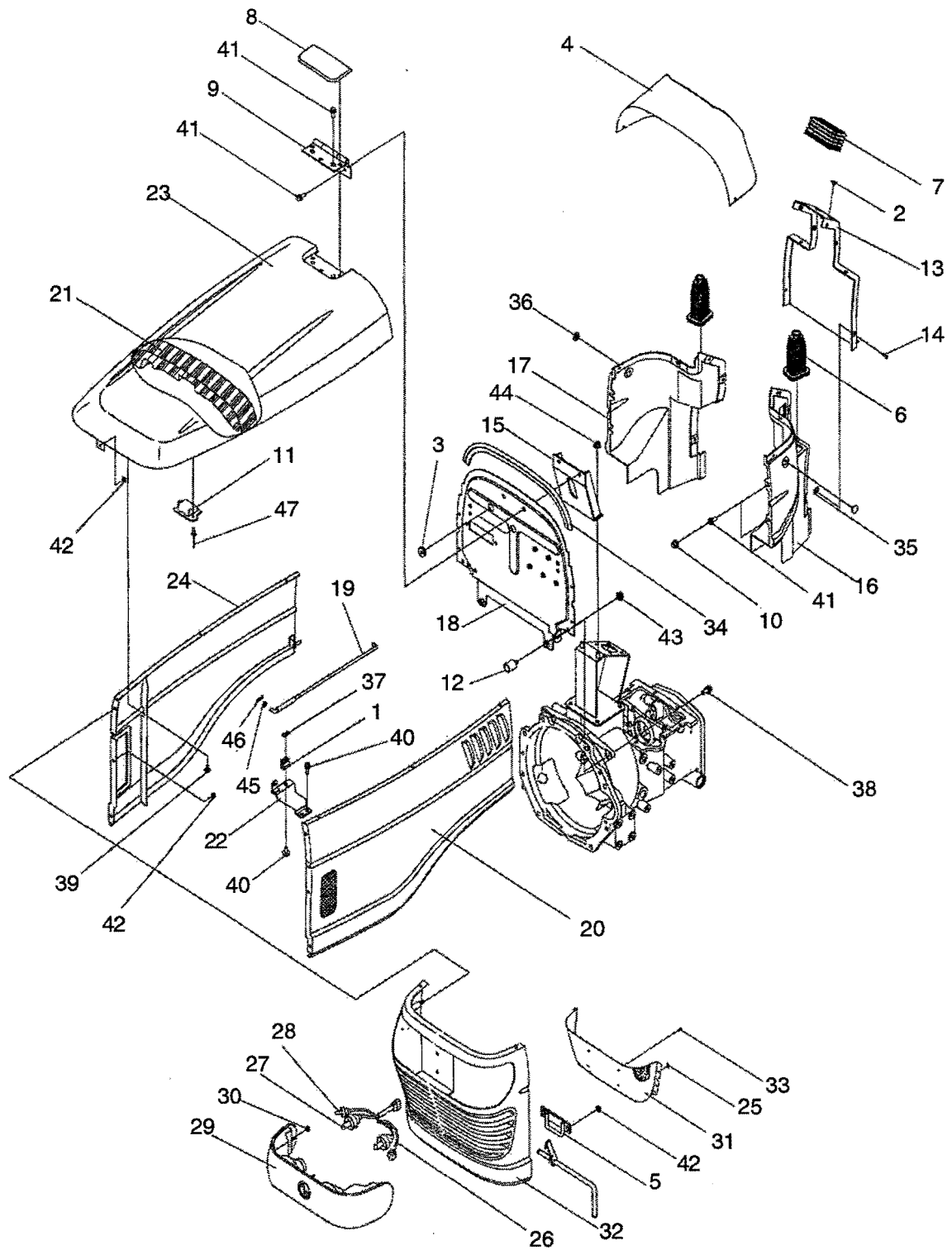


NOTES

SHEET METAL



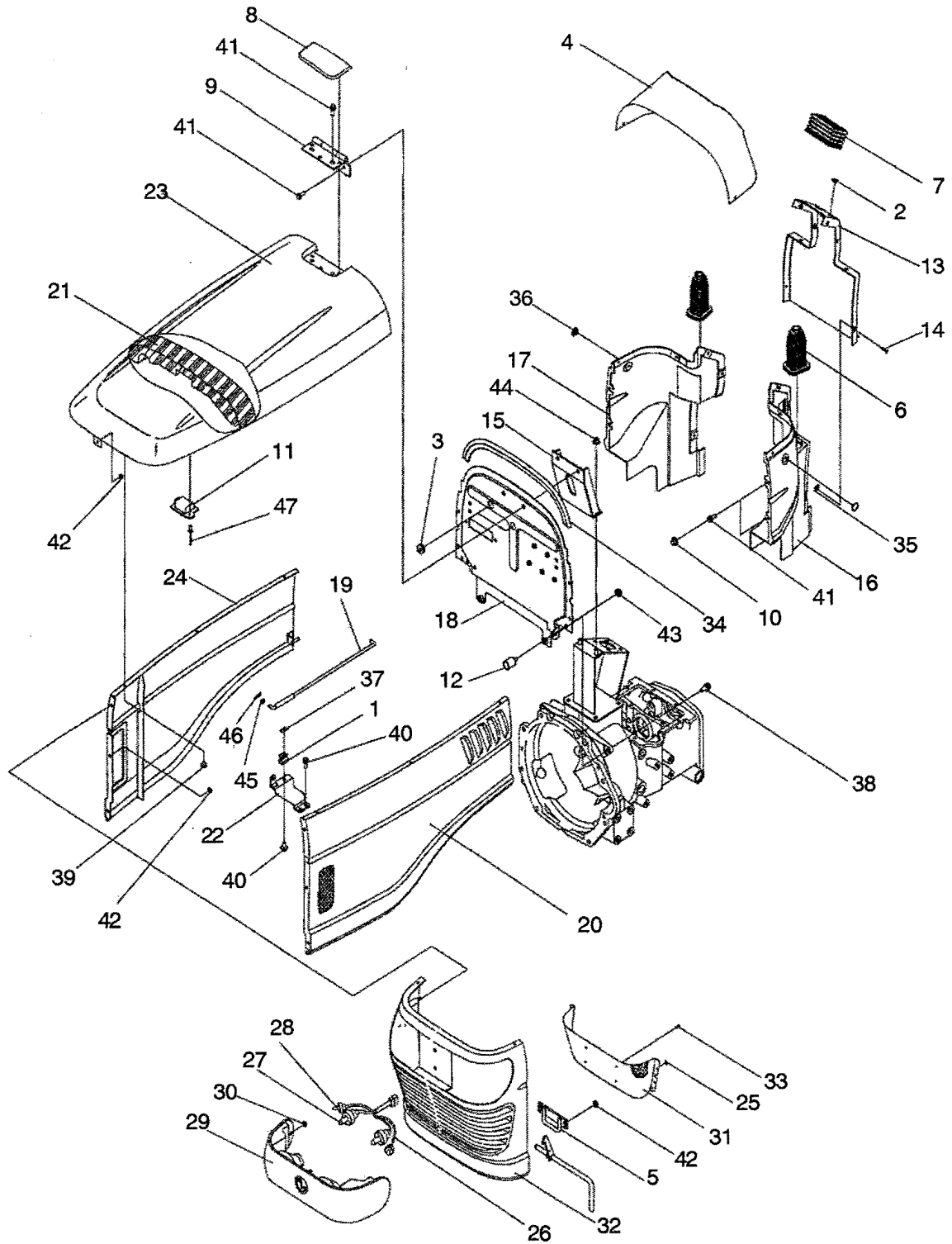
Hood



Hood

ITEM No	PART No.	DESCRIPTION	QTY.	
			270 DTC	320 DTC
1	LG2041	Spring	1	1
2	LG5379	Cap	1	1
3	LG3958	Grommet	2	2
4	LG2402	Panel, Body (Upper)	1	1
5	LG2408	Hanger	1	1
6	LG2409	Cover, Dust Lever	2	2
7	LG2411	Cover, Steering	1	1
8	LG2413	Cover, Hinge	1	1
9	LG2414	Hinge	1	1
10	LG1975	Cap, Bolt	4	4
11	LG2418	Stopper, Hood Support	1	1
12	LG2419	Stopper, Rubber	2	2
13	LG2403	Panel, Body (Rear)	1	1
14	LG4895	Screw, TP. CRS	12	12
15	LG5380	Bracket, Hinge	1	1
16	LG5381	Panel, Body (LH)	1	1
17	LG5382	Panel, Body (RH)	1	1
18	LG5383	Plate, Heat Intercept	1	1
19	LG5384	Rod, Hood	1	1
20	LG5385	Cover, Side (LH)	1	1
21	LG5386	Seal, Radiator Air	1	1
22	LG5534	Bracket, Rod Hood	1	1
23	LG4952	Hood, Bonnet	1	1
24	LG5034	Cover, Side (RH)	1	1
25-33	LG5091	Grill Assembly	1	1
25	LG1976	Nut, Speed	6	6
26-29	LG3415	Head Lamp Assembly	1	1
26	LG2318	Harness, H/Lamp Wire	1	1
27	LG2344	Lamp, Head	2	2
28	LG2345	Lamp, Turn Signal	2	2
29	LG3416	Lens, Head Lamp	1	1
30	LG1982	Nut, Flange B-TY (M6x1.0)	4	4
31	LG3417	Net, Grille	1	1
32	LG3418	Grille	1	1
33	LG1977	Screw, TP CRS Truss (M4x16)	4	4
34	LG3422	Strip, Leather	1	1
35	LG2473	Plate, Lock	12	12
36	LG4107	Rubber Grommet	2	2
37	LG2481	Bracket, Spring	1	1
38	LG1863	Bolt, Hex w/Washer (M10x1.25x25)	2	2

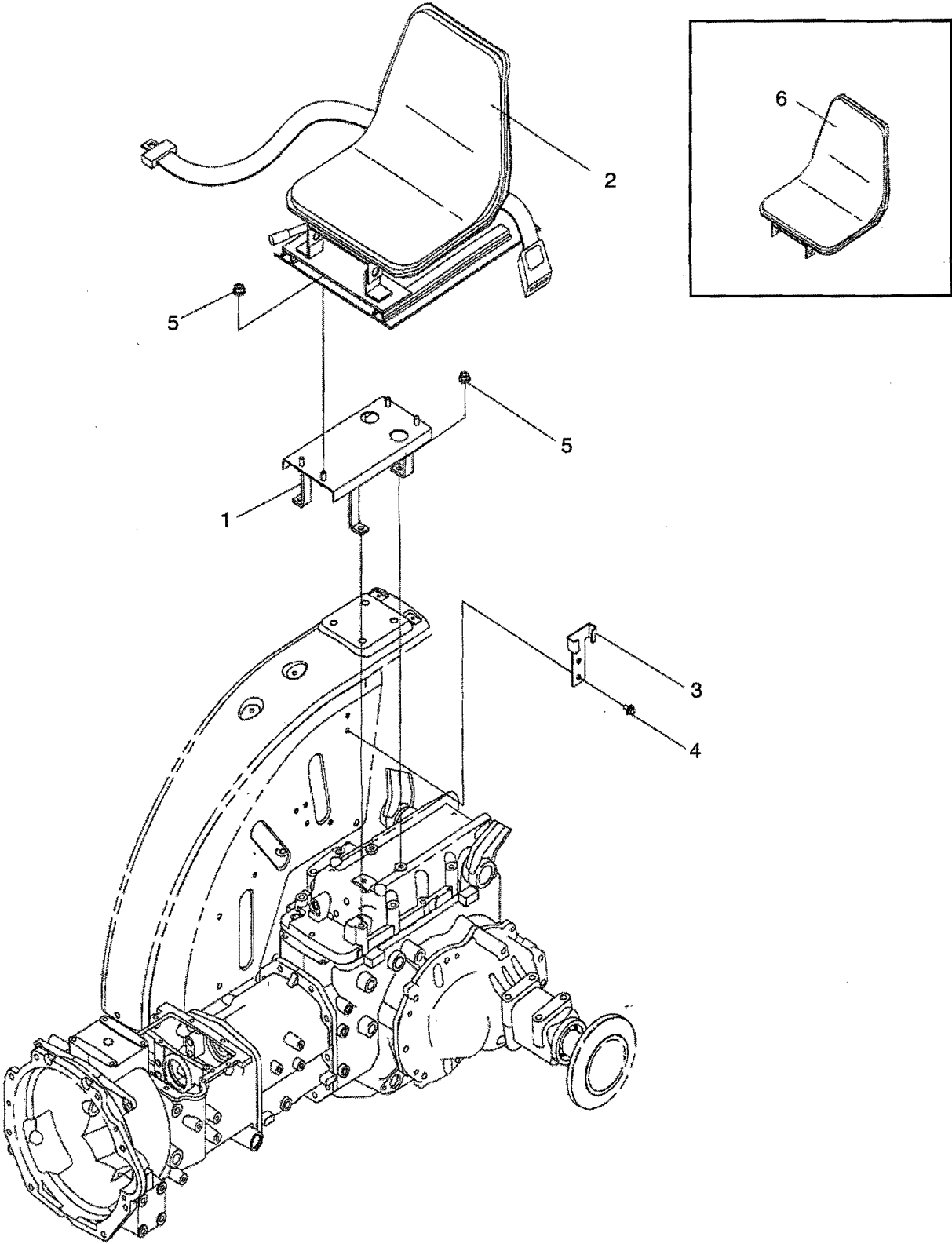
Hood



Hood

ITEM No	PART No.	DESCRIPTION	QTY.	
			270 DTC	320 DTC
39	LG1978	Bolt, Hex w/Washer (M6x1.0x16)	8	8
40	LG1979	Bolt, Hex w/Washer (M8x1.25x20)	3	3
41	LG1896	Bolt, Hex w/Washer (M8x1.25x25)	8	8
42	LG1982	Nut, Flange B-TY (M6x1.0)	9	9
43	LG1890	Nut, Flange B-TY (M8x1.25)	2	2
44	LG1983	Nut, Flange B-TY (M10x1.25)	2	2
45	N630068S8	Washer, Plain S-RD (15.5x8.4x1.6)	1	1
46	LG1984	Pin, Hair	1	1
47	LG1985	Rivet, Blind (3.2x10)	2	2

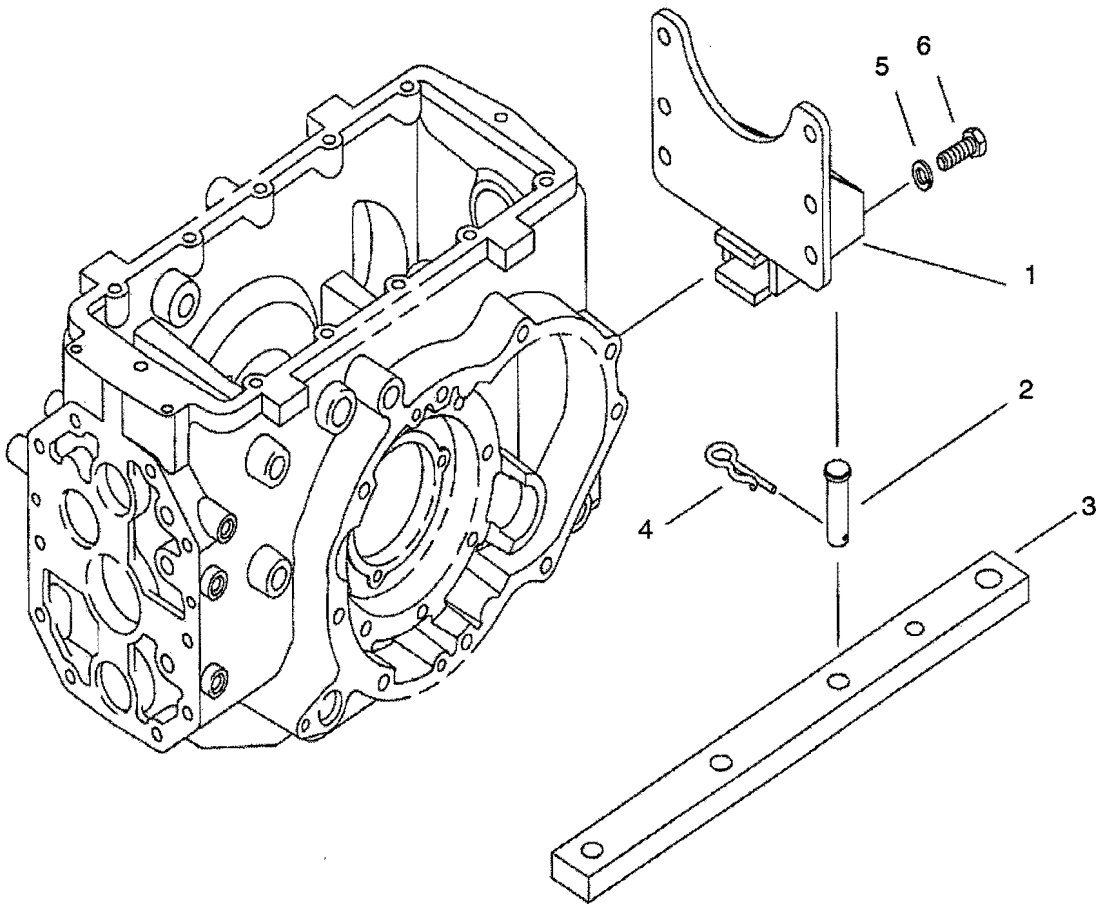
SEAT ASSEMBLY



SEAT ASSEMBLY

ITEM No	PART No.	DESCRIPTION	QTY.	
			270 DTC	320 DTC
1	LG5535	Bracket, Seat	1	1
2	LG5393	Seat Assembly (w/Seat Belt)	1	1
3	LG5394	Rest, Seat Belt	1	1
4	LG1979	Bolt, Hex w/Washer (M8x1.25x20)	2	2
5	LG1983	Nut, Flange B-TY (M10x1.25)	6	6
6	LG5575	Seat - 270, 320 DTC	1	1

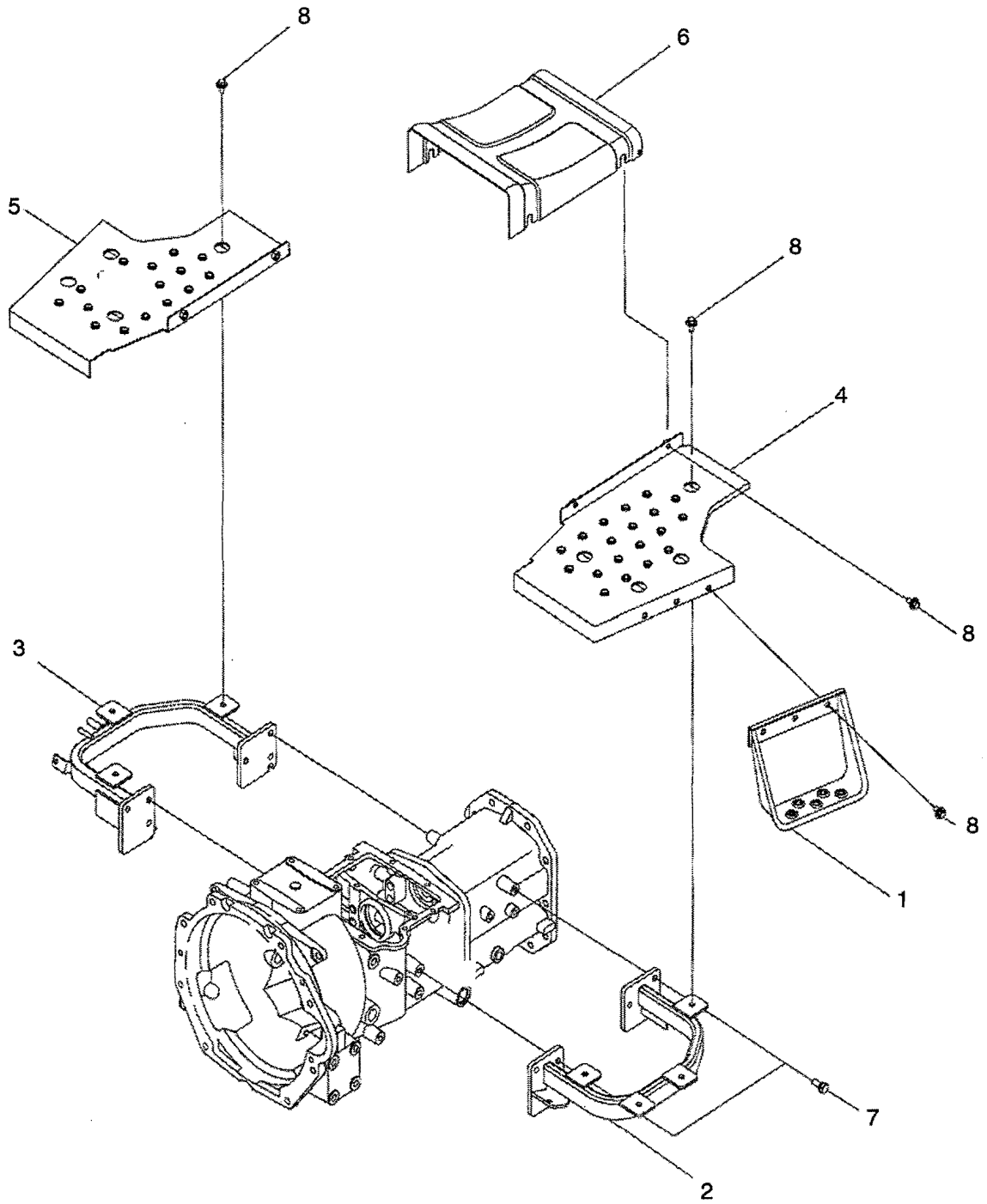
DRAWBAR HITCH



DRAWBAR HITCH

ITEM No	PART No.	DESCRIPTION	QTY.	
			270 DTC	320 DTC
1	LG5361	Support, Drawbar	1	1
2	LG1990	Pin , Clevis (25x72)	1	1
3	LG5362	Drawbar	1	1
4	LG1991	Pin, Hair	1	1
5	N630187S8	Washer, Spring (25.4x14.2x3.5)	6	6
6	LG1937	Bolt, Hex (14x2.0x40)	6	6

STEP

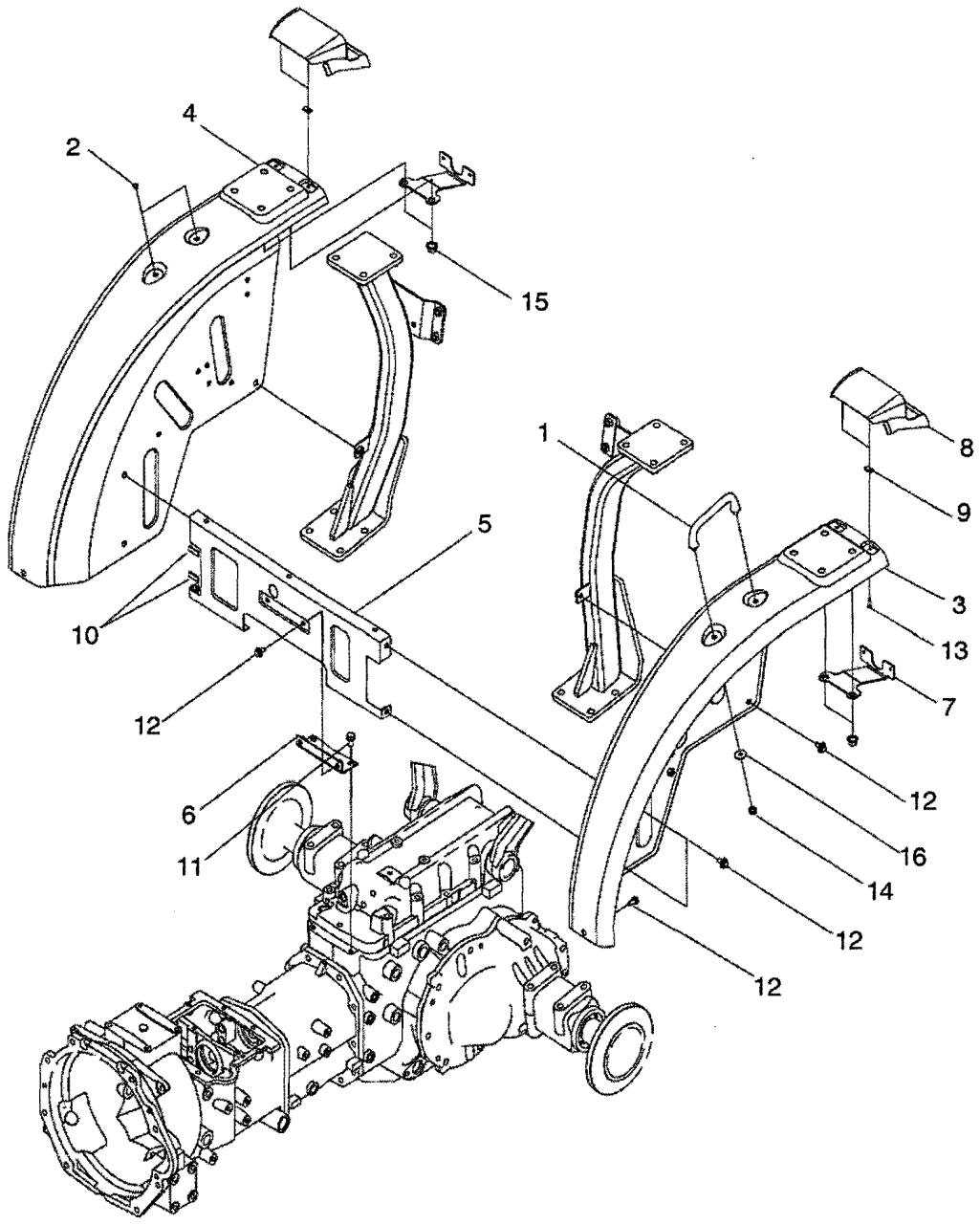




STEP

ITEM No	PART No.	DESCRIPTION	QTY.	
			270 DTC	320 DTC
1	LG5387	Sub Step	1	1
2	LG5388	Frame, Step LH	1	1
3	LG5389	Frame, Step RH	1	1
4	LG5390	Step (LH)	1	1
5	LG5391	Step (RH)	1	1
6	LG5392	Cover, T/M Case	1	1
7	LG1863	Bolt, Hex w/Washer (M10x1.25x25)	12	12
8	LG1979	Bolt, Hex w/Washer (M8x1.25x20)	14	14

FENDER

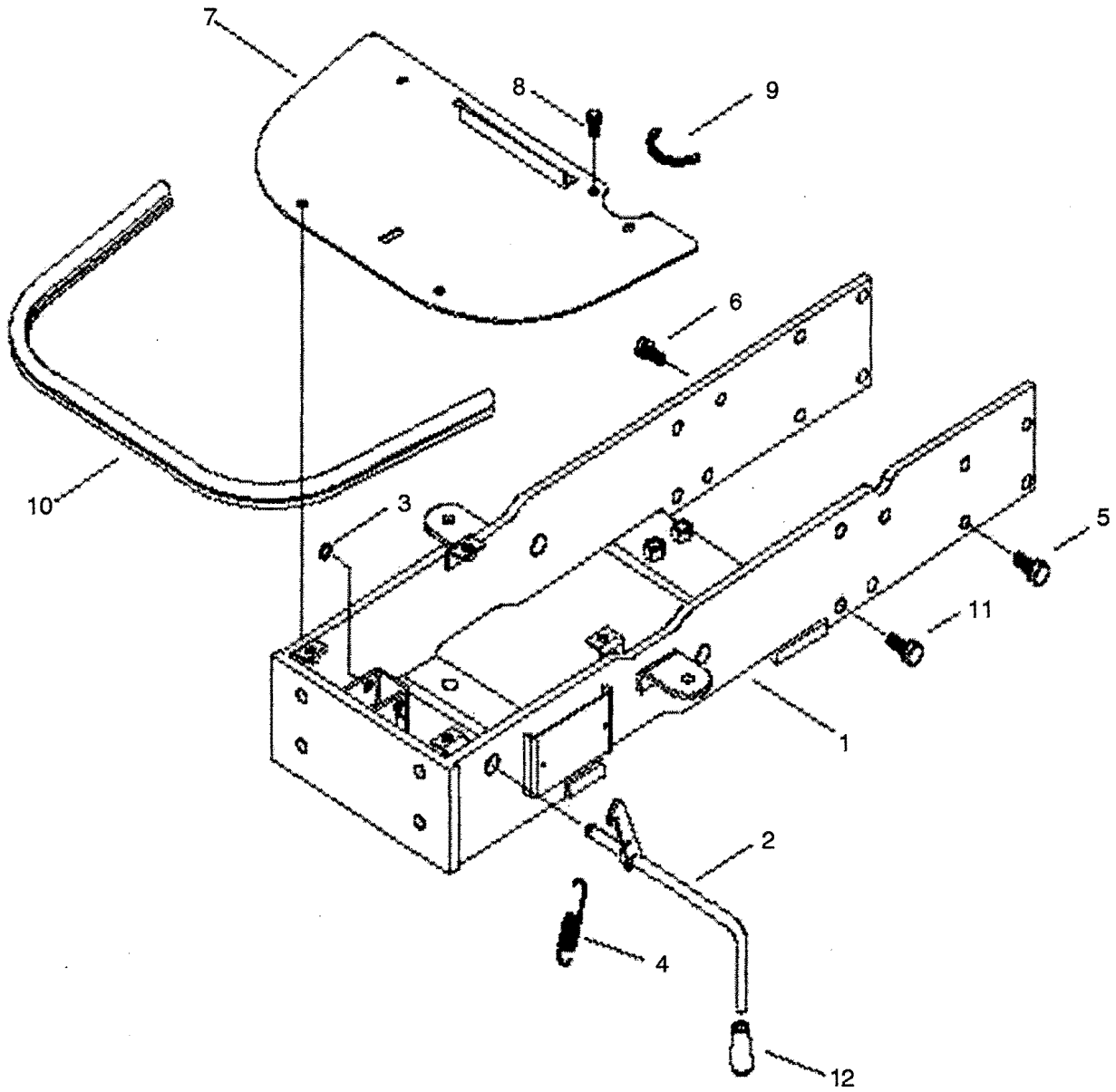




FENDER

ITEM No	PART No.	DESCRIPTION	QTY.	
			270 DTC	320 DTC
1	LG2022	Rail Hand	1	1
2	LG3385	Plug	2	2
3	LG5395	Fender, LH	1	1
4	LG5396	Fender, RH	1	1
5	LG5397	Cover, Center	1	1
6	LG5398	Bracket, Center Cover	1	1
7	LG5399	Bracket, Mud Guard	2	2
8-9	LG5400	Mud Guard Assembly	2	2
8	LG5401	Guard, Mud Rear	1	1
9	LG2473	Plate, Lock	2	2
10	LG5402	Weather, Strip	2	2
11	LG1862	Bolt, Hex w/Washer (M10x1.25x20)	2	2
12	LG1979	Bolt, Hex w/Washer (M8x1.25x20)	10	10
13	LG5561	Screw, TP CRS	4	4
14	LG1890	Nut, FLange B-TY (M8x1.25)	2	2
15	LG5538	Nut, FLange B-TY (M12x1.75)	4	4
16	LG1989	Washer, Plain (26x8.4x2.5)	2	2

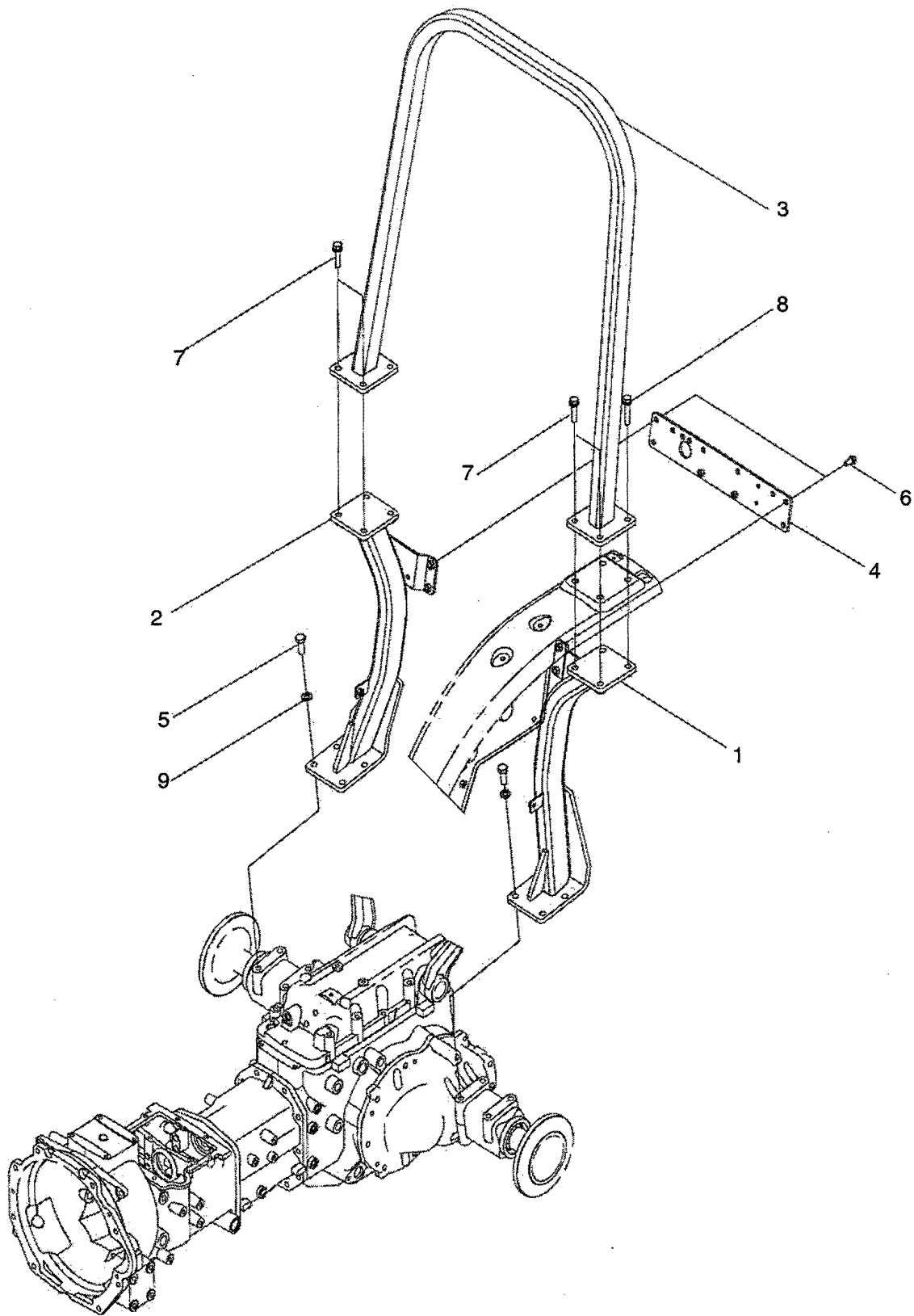
FRAME GROUP



FRAME GROUP

ITEM No	PART No.	DESCRIPTION	QTY.	
			270 DTC	320 DTC
1	LG5115	Frame, Engine	1	1
2	LG5116	Hook, Grill	1	1
3	N661208S	Ring, Snap (12)	1	1
4	LG2410	Spring	1	1
5	LG5556	Bolt, Hex w/Washer (M12x1.25x30)	11	11
6	LG1863	Bolt, Hex w/Washer (M10x1.25x25)	1	1
7	LG5117	Plate, Bottom	1	1
8	LG1897	Bolt, Hex w/Washer (M8x1.25x20)	4	4
9	LG5118	Strip	1	1
10	LG5119	Weather Strip	1	1
11	LG4914	Bolt, Hex w/Washer (M12x1.25x40)	4	4
12	LG2042	Grip	1	1

ROLLOVER PROTECTION STRUCTURE (ROPS)



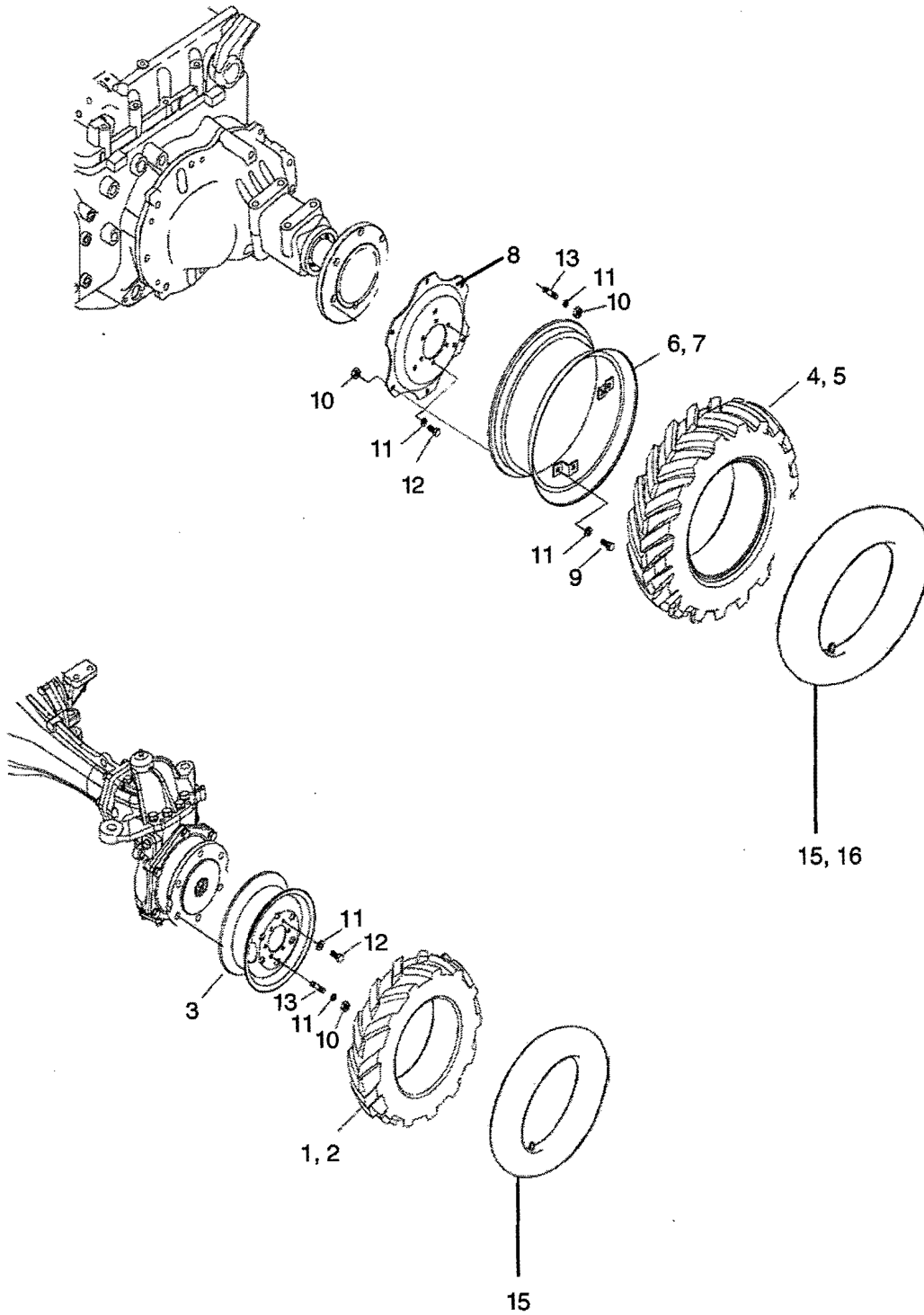
ROLLOVER PROTECTION STRUCTURE (ROPS)

ITEM No	PART No.	DESCRIPTION	QTY.	
			270 DTC	320 DTC
1	LG5403	Frame, ROPS Lower LH	1	1
2	LG5404	Frame, ROPS Lower RH	1	1
3	LG5405	Frame, ROPS Upper	1	1
4	LG5406	Frame, ROPS Rear	1	1
5	LG4087	Bolt, Hex (M14x2.0x40)	8	8
6	LG1863	Bolt, Hex w/Washer (M10x1.25x25)	4	4
7	LG5557	Bolt, Hex w/Washer (M12x1.75x45)	4	4
8	500520S36	Bolt, Hex (M12x1.75x60)	4	4
9	N630187S8	Washer, Lock (M14)	8	8

NOTES

FRONT & REAR WHEELS

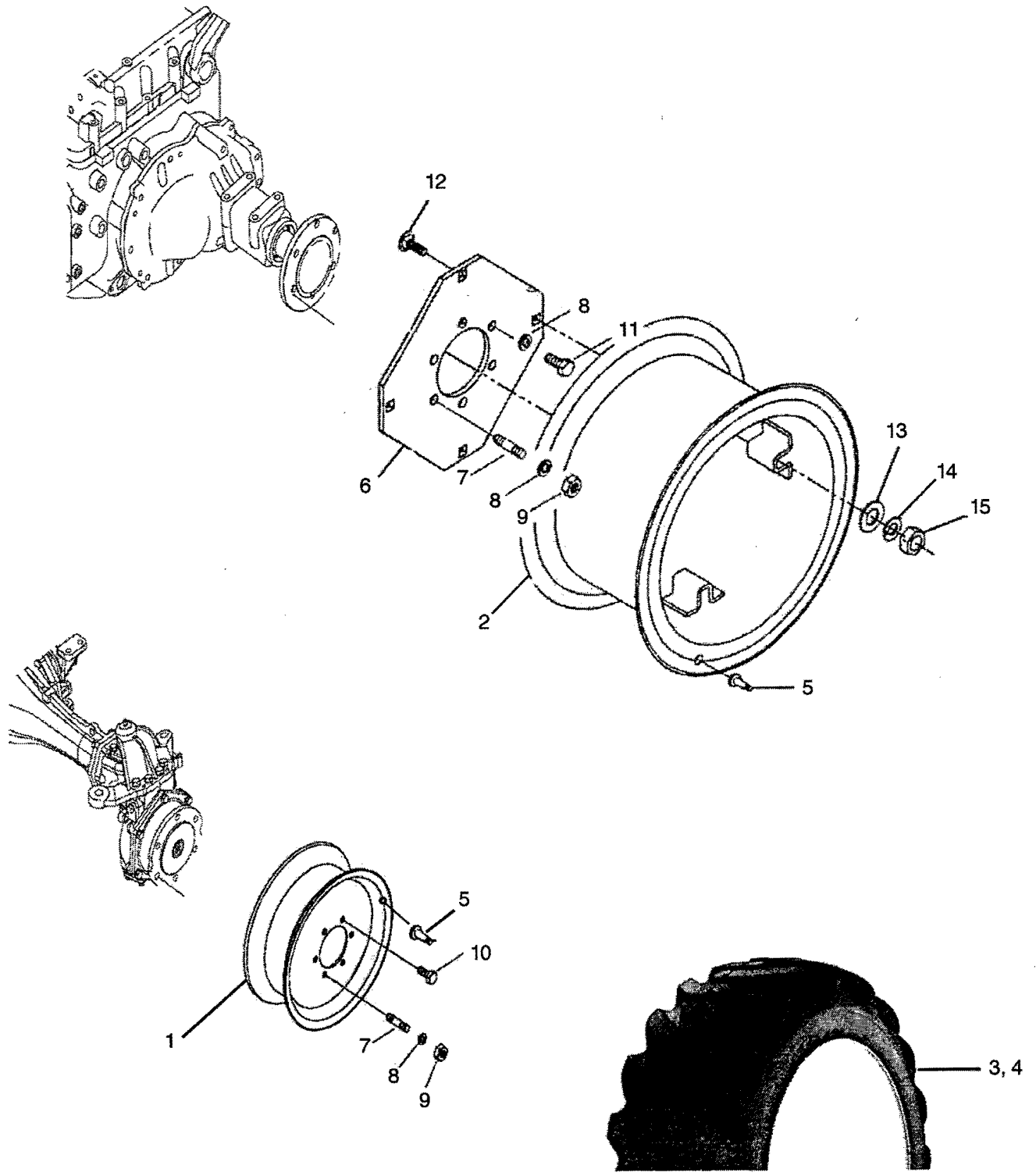
AGRICULTURAL TIRES





AGRICULTURAL TIRES

ITEM NO	PART No.	DESCRIPTION	QTY.	
			270 DTC	320 DTC
1	907273	Tire, Ag (6 - 14)	2	-
2	907274	Tire, Ag (7 - 14)	-	2
3	LG4929	Front Rim Assembly	2	2
4	907343	Tire, Ag (9.5 - 24)	2	-
5	907335	Tire, Ag (11.2 - 24)	-	2
6	LG4924	Rear Rim Assembly	2	-
7	LG4930	Rear Rim Assembly	-	2
8	LG5218	Rear Center Disc	2	2
9	LG1885	Bolt, Wheel	8	8
10	500394S36	Nut, Hex (M16 - 1.5)	16	16
11	N630176S36	Washer, Lock (16mm)	32	32
12	500354	Bolt, Hex (M16-1.5x30)	16	16
13	LG1944	Bolt, Stud (M16x1.5x25)	8	8
14	907275	Tube (6/7 - 14)	2	2
15	788620	Tube (8.3/9.5 - 24)	2	-
16	737801	Tube (12.4 - 24)	-	2



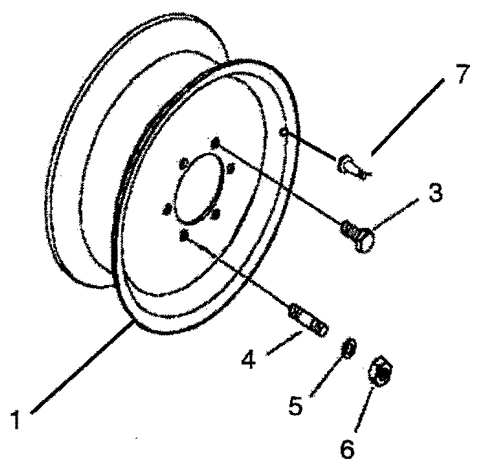
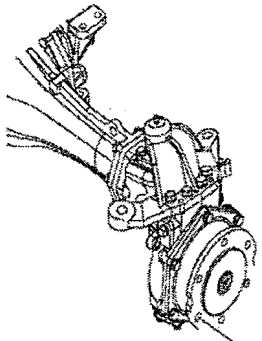
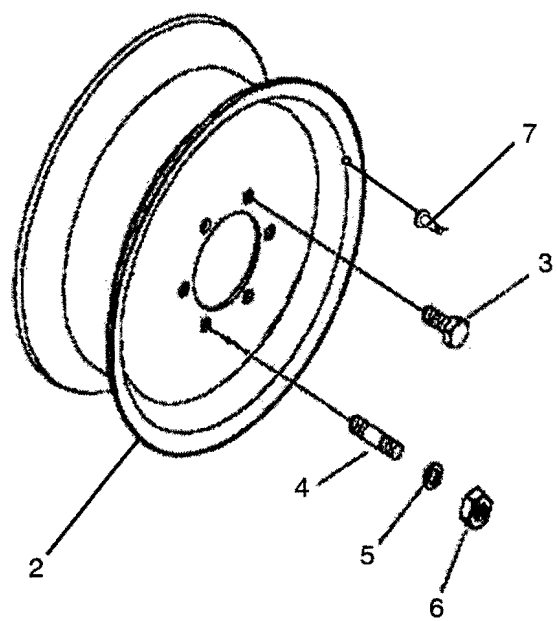
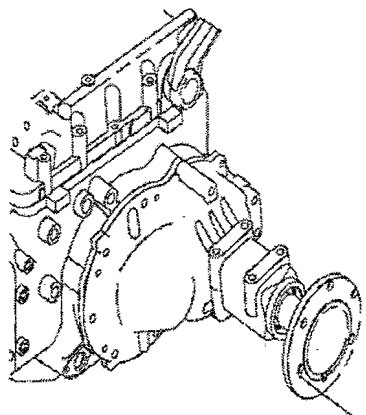


270DTC / 320DTC

FRONT & REAR WHEELS

INDUSTRIAL TIRES

ITEM No	PART No.	DESCRIPTION	QTY.	
			270 DTC	320 DTC
1	907413	Front Wheel	2	2
2	902706	Rear Wheel Assembly	2	2
3	907307	Tire, Front (23x8.5-12)	2	2
4	907306	Tire, Rear (12.5/80-18)	2	2
5	907369	Valve Stem	4	4
6	907411	Center Disc, Industrial	2	2
7	LG1944	Bolt, Stud (M16x1.5x25)	8	8
8	N630176S36	Washer, Lock (16MM)	16	16
9	500394S36	Nut, Hex (M16x1.5)	8	8
10	TX10863	Bolt, Lug	8	8
11	500354	Bolt, Hex (M16-1.5x30)	8	8
12	58877S8	Bolt, Carriage (5/8-11x3 1/4)	8	8
13	44742S8	Washer, Flat (5/8)	8	8
14	34811S8	Washer, Lock (5/8)	8	8
15	33849S8	Nut, Hex (5/8-11)	8	8





270DTC / 320DTC

FRONT & REAR WHEELS

TURF TIRES

ITEM No	PART No.	DESCRIPTION	QTY.	
			270 DTC	320 DTC
1	907440	Front Wheel (10.5x12)	2	2
2	907517	Rear Wheel (11x20)	2	2
3	500354	Bolt, Hex (M16x1.5x30)	16	16
4	LG1944	Bolt, Stud (M16x1.5x25)	8	8
5	N630176S36	Washer, Lock (16mm)	24	24
6	500394S36	Nut, Hex (M16-1.5)	8	8
7	907369	Valve Stem	4	4

NOTES

DECALS



DECALS

WARNING
To prevent serious injury or death:
• The differential lock is provided for use on slippery surfaces. It must not be used on the road.

Locate on Panel Above Differential Lock Pedal (Part No. 901938)

CAUTION
• Keep all objects clear of fan.

Locate on Left and Right Side of Radiator (Part No. 901791)

WARNING
TO PREVENT DEATH OR SERIOUS INJURY:
IF THIS TRACTOR IS EQUIPPED WITH A FOLD DOWN ROPS, CENTER OR SUPER-ROPS, CONTACT THIS TRACTOR DISTRIBUTOR WITH THE AGRI-TRONIC FOLDED DOWN POSITION DO NOT WEAR THE SEATBELT WHEN THE ROPS IS IN THE FOLDED DOWN POSITION.
SEPARATE THIS TRACTOR WITH THE ROPS IN THE FOLDED DOWN POSITION ONLY WHEN NECESSARY.

Locate on Inside of ROPS Upright (Part No. 901812)

DANGER
CRUSHING HAZARD
TO PREVENT DEATH OR SERIOUS INJURY DO NOT ATTEMPT TO REPAIR OR MAINTAIN THE TRACTOR EQUIPPED WITH THE ROLLOVER PROTECTIVE SYSTEM (ROPS) UNLESS YOU ARE TRAINED AND CERTIFIED TO DO SO. ALWAYS WEAR YOUR SEATBELT WHEN OPERATING THIS TRACTOR.

Locate on Inside of ROPS Upright (Part No. 758649)

WARNING
TO PREVENT DEATH OR SERIOUS INJURY:
1. NEVER OPERATE A TRACTOR WITH A FOLDED DOWN ROPS.
2. ALWAYS WEAR YOUR SEATBELT WHEN OPERATING THIS TRACTOR.
3. DO NOT OPERATE THIS TRACTOR ON STEEP SLOPES OR NEAR DROPOFFS.
4. AVOID SHARP HIGH SPEED TURNS.

Locate on Outside of ROPS Upright (Part No. 901948)

WARNING
SEATBELT HAZARD
To prevent serious injury or death:
• This tractor is equipped with a rollover protective structure. Whenever the seatbelt must be worn at all times, except when the tractor is disengaged with a fold down ROPS and 4 W in the folded down position.

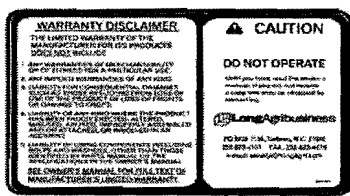
Locate on Top of Fuel Tank (Part No. 901937)

CAUTION
DO NOT OPERATE ON HARD SURFACES IF TRACTOR IS EQUIPPED WITH AND ENGAGED IN 4-WHEEL DRIVE.

Locate on Fender above 4-Wheel Drive Engagement Lever (Part No. 766136)

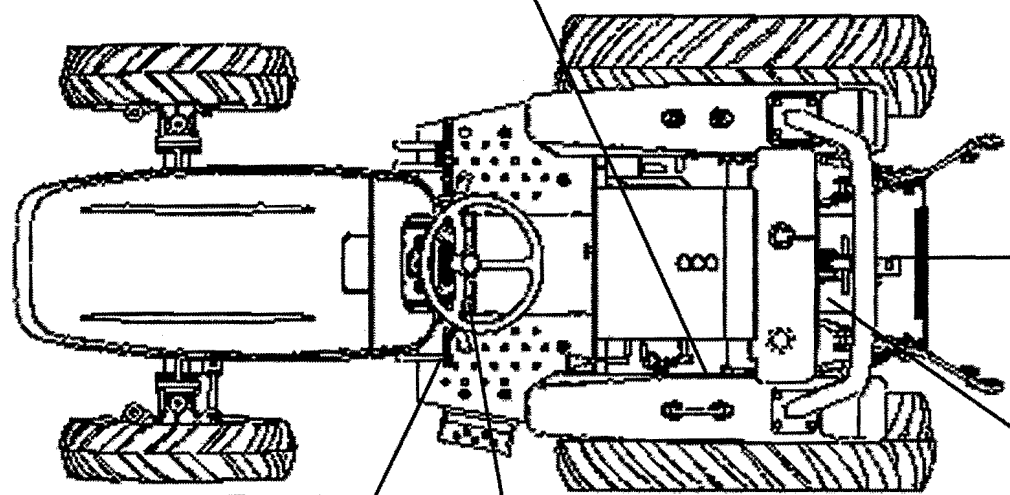
DECALS

Locate On Inside of Left Fender
(Part No. 904394)



Locate On Inside of Left Fender
(Part No. 904394)

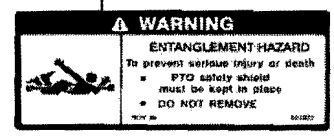
Locate On Inside Rear Of Right Fender
(Part No. 901940)



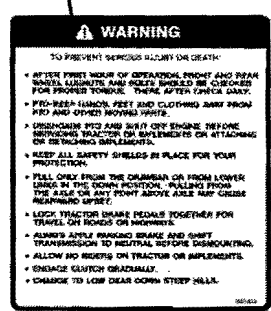

(Part No. 781707)



Locate On Side Panel Above Clutch Pedal (Part No. 901935)



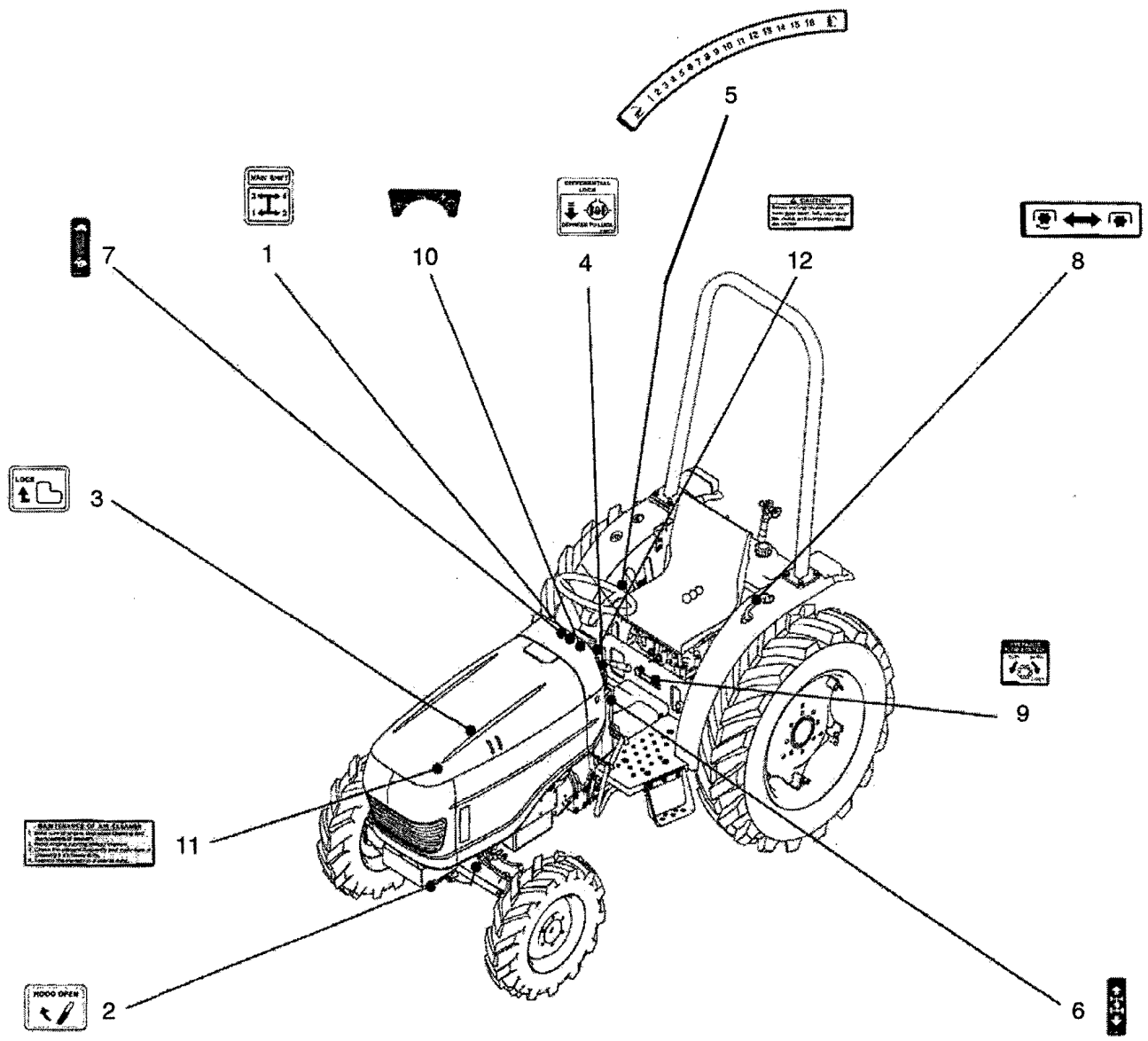
Locate On PTO Shaft Guard (Part No. 901922)



Locate On Panel Under Steering Wheel
(Part No. 901556)

*For further information on Tractor Safety, refer to your Agricultural Tractor Safety Manual (799415).

OPERATION DECALS

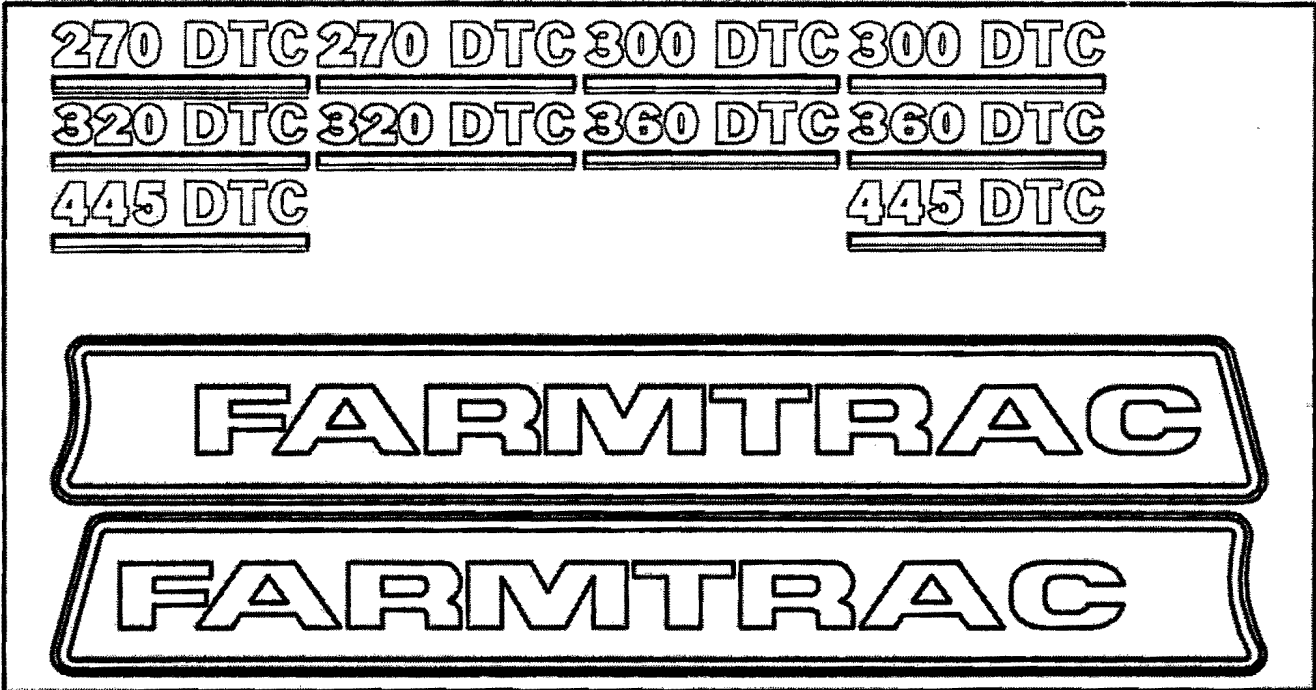


OPERATION DECALS

ITEM No	PART No.	DESCRIPTION	QTY.	
			270 DTC	320 DTC
1	LG5407	Decal, Main Change	1	1
2	LG4437	Decal, Bonnet Hook	1	1
3	LG4445	Decal, Hook Rod	1	1
4	LG5409	Mark, Differential Lock	1	1
5	LG5410	Decal, Position Control	1	1
6	LG5411	Decal F-R Change	1	1
7	LG5412	Decal, Acc. Lever	1	1
8	LG5413	Decal, PTO Lever	1	1
9	LG5414	Decal, Flow Control	1	1
10	LG5415	Decal, Key Switch	1	1
11	LG5416	Decal, Air Cleaner	1	1
12	LG5096	Decal, Shifting Caution	1	1

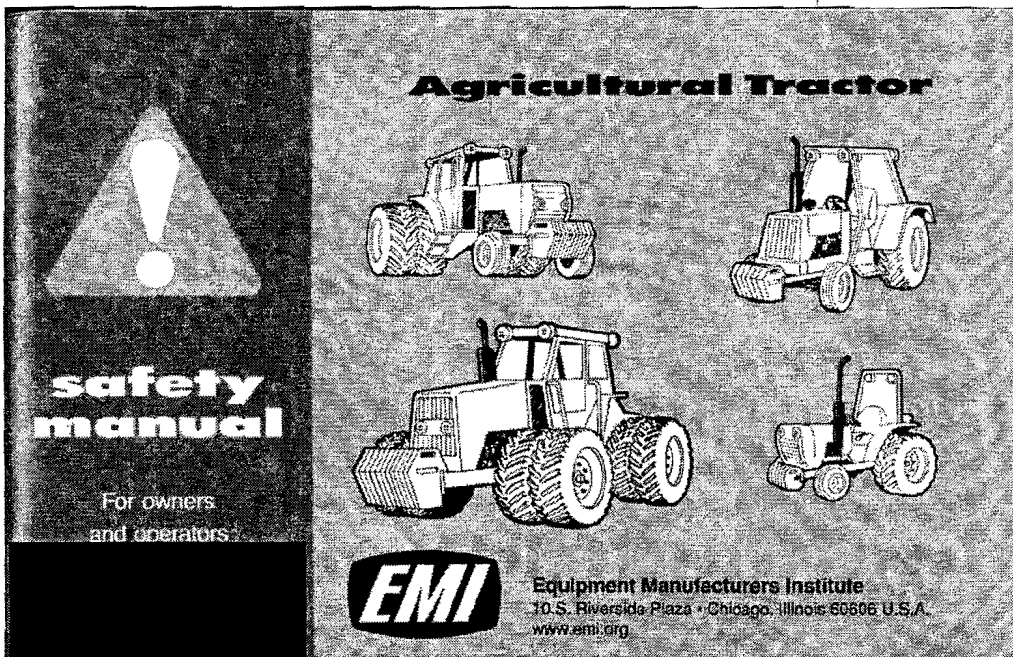
DECALS

ITEM No.	LONG No.	VENDOR No.	DESCRIPTION	QTY.	
				270 DTC	320 DTC
1	906662		Decal Kit Farmtrac DTC	1	1
2	799415		Manual Tractor Safety w/Decal	1	1



1

2



NUMERICAL INDEX



<i>PART No.</i>	<i>PAGE No.</i>	<i>PART No.</i>	<i>PAGE No.</i>	<i>PART No.</i>	<i>PAGE No.</i>	<i>PART No.</i>	<i>PAGE No.</i>
500198	11-6	LG1028	16-4	LG1359	14-7	LG1860	14-7
500235	10-2	LG1046	2-4	LG1361	9-6	LG1862	8-2
500300	5-12	LG1052	14-7	LG1382	10-4	LG1862	8-4
500307	12-8	LG1057	14-10	LG1382	10-6	LG1862	9-6
500307	14-10	LG1090	9-6	LG1386	10-10	LG1862	9-8
500327	13-2	LG1097	14-2	LG1390	14-6	LG1862	13-2
500327	15-6	LG1189	10-10	LG1395	8-4	LG1862	13-4
500347	14-8	LG1195	14-2	LG1395	10-2	LG1862	17-3
500354	19-2	LG1199	9-2	LG1404	14-6	LG1862	18-12
500354	19-4	LG1199	10-6	LG1405	13-2	LG1863	8-2
500354	19-6	LG1231	10-8	LG1426	14-7	LG1863	12-8
500463	12-8	LG1232	10-8	LG1455	10-10	LG1863	13-2
737801	19-2	LG1235	12-2	LG1460	10-10	LG1863	15-5
783183	17-6	LG1237	12-2	LG1475	13-4	LG1863	16-4
788620	19-2	LG1252	14-4	LG1486	14-11	LG1863	18-2
799415	20-7	LG1266	12-8	LG1488	10-10	LG1863	18-10
902706	19-4	LG1270	14-4	LG1489	10-4	LG1863	18-14
904540	20-2	LG1271	14-8	LG1489	10-6	LG1863	18-16
904540	20-4	LG1272	13-6	LG1495	5-12	LG1864	10-2
906662	20-7	LG1273	14-6	LG1506	5-14	LG1864	12-6
907273	19-2	LG1275	13-8	LG1689	11-6	LG1868	9-4
907274	19-2	LG1275	14-2	LG1704	14-7	LG1868	9-8
907275	19-2	LG1275	14-6	LG1707	10-4	LG1871	9-4
907306	19-4	LG1279	14-7	LG1707	10-6	LG1871	9-8
907307	19-4	LG1289	12-6	LG1708	13-8	LG1872	5-12
907335	19-2	LG1289	14-2	LG1708	14-2	LG1873	14-4
907343	19-2	LG1292	10-4	LG1711	10-10	LG1873	14-8
907369	19-4	LG1293	10-4	LG1716	11-8	LG1875	14-4
907369	19-6	LG1293	10-6	LG1716	16-2	LG1885	19-2
907411	19-4	LG1293	11-6	LG1716	16-4	LG1890	9-4
907413	19-4	LG1293	14-4	LG1717	10-8	LG1890	9-8
907440	19-6	LG1294	10-10	LG1717	10-10	LG1890	14-6
907517	19-6	LG1294	11-6	LG1720	16-4	LG1890	18-4
907631	1-2	LG1297	9-4	LG1722	11-6	LG1890	18-12
907632	1-4	LG1297	9-6	LG1723	10-8	LG1891	5-12
33849S8	19-4	LG1297	12-8	LG1728	14-6	LG1892	2-4
34811S8	19-4	LG1300	8-2	LG1736	11-6	LG1894	5-12
44742S8	19-4	LG1301	16-4	LG1741	10-8	LG1896	15-2
500179S8	15-2	LG1311	10-10	LG1771	8-4	LG1896	18-4
500179S8	15-6	LG1313	10-4	LG1771	10-2	LG1897	6-2
500394S36	19-2	LG1314	13-4	LG1772	11-6	LG1897	18-14
500394S36	19-4	LG1318	14-6	LG1774	12-6	LG1904	14-2
500394S36	19-6	LG1320	15-2	LG1775	12-2	LG1909	9-2
500520S36	18-16	LG1320	15-5	LG1775	12-6	LG1911	9-4
58877S8	19-4	LG1320	15-6	LG1775	12-8	LG1911	9-8
LG1001	12-6	LG1325	8-4	LG1777	8-4	LG1913	9-2
LG1002	14-3	LG1325	10-2	LG1781	10-2	LG1913	11-2
LG1009	14-7	LG1325	12-6	LG1782	8-2	LG1916	11-2
LG1010	14-6	LG1325	12-8	LG1785	12-6	LG1919	10-8
LG1026	10-4	LG1326	15-2	LG1795	10-4	LG1921	10-6

<i>PART No.</i>	<i>PAGE No.</i>	<i>PART No.</i>	<i>PAGE No.</i>	<i>PART No.</i>	<i>PAGE No.</i>	<i>PART No.</i>	<i>PAGE No.</i>
LG1923	10-4	LG1991	15-4	LG2311	9-2	LG2804	17-8
LG1924	11-4	LG1991	18-8	LG2312	9-2	LG2805	17-8
LG1925	11-4	LG1993	15-2	LG2313	9-2	LG2806	17-8
LG1926	11-4	LG1994	15-2	LG2318	18-2	LG2807	17-8
LG1927	11-4	LG1995	10-2	LG2321	17-6	LG2808	17-8
LG1928	11-4	LG1995	15-4	LG2336	17-2	LG2809	17-8
LG1929	11-4	LG2000	15-6	LG2340	17-6	LG2810	17-8
LG1933	8-4	LG2005	11-6	LG2344	18-2	LG2811	17-8
LG1937	18-8	LG2009	9-6	LG2345	18-2	LG2812	17-8
LG1938	11-2	LG2010	9-6	LG2367	14-4	LG2813	17-8
LG1939	14-3	LG2012	14-7	LG2369	14-8	LG2814	17-8
LG1944	19-2	LG2013	14-8	LG2372	14-10	LG2815	17-8
LG1944	19-4	LG2022	18-12	LG2373	14-10	LG3293	5-14
LG1944	19-6	LG2035	17-3	LG2379	14-6	LG3294	5-14
LG1945	12-10	LG2041	18-2	LG2381	14-6	LG3301	2-4
LG1947	12-10	LG2042	5-12	LG2382	14-6	LG3301	6-2
LG1948	13-6	LG2042	18-14	LG2383	14-6	LG3307	6-2
LG1951	8-2	LG2043	17-2	LG2402	18-2	LG3324	12-2
LG1951	12-2	LG2044	17-2	LG2403	18-2	LG3327	14-10
LG1954	14-8	LG2045	17-2	LG2408	18-2	LG3328	11-4
LG1955	14-8	LG2047	11-8	LG2409	18-2	LG3329	11-4
LG1956	14-8	LG2047	16-2	LG2410	18-14	LG3330	11-4
LG1962	5-14	LG2049	10-10	LG2411	18-2	LG3334	11-4
LG1965	14-6	LG2050	11-2	LG2413	18-2	LG3335	11-4
LG1966	14-6	LG2053	10-10	LG2414	18-2	LG3336	11-4
LG1967	14-6	LG2058	12-2	LG2418	18-2	LG3352	13-6
LG1968	14-6	LG2059	10-8	LG2419	18-2	LG3363	13-2
LG1971	14-10	LG2060	12-2	LG2422	12-4	LG3364	13-2
LG1975	18-2	LG2070	5-12	LG2460	15-6	LG3365	13-2
LG1976	18-2	LG2071	5-12	LG2464	8-4	LG3366	13-2
LG1977	18-2	LG2072	5-12	LG2472	10-4	LG3367	13-8
LG1978	17-2	LG2075	5-12	LG2473	18-2	LG3367	14-2
LG1978	18-4	LG2091	8-2	LG2473	18-12	LG3368	9-6
LG1979	10-6	LG2092	8-2	LG2476	14-6	LG3372	17-3
LG1979	18-4	LG2183	10-10	LG2478	9-4	LG3378	17-2
LG1979	18-6	LG2200	10-6	LG2478	9-8	LG3379	17-2
LG1979	18-10	LG2216	10-4	LG2481	18-2	LG3382	17-2
LG1979	18-12	LG2218	10-4	LG2499	14-6	LG3385	18-12
LG1981	17-3	LG2229	11-6	LG2792	17-8	LG3415	18-2
LG1982	17-4	LG2231	11-6	LG2793	17-8	LG3416	18-2
LG1982	18-2	LG2232	11-6	LG2794	17-8	LG3417	18-2
LG1982	18-4	LG2233	11-6	LG2795	17-8	LG3418	18-2
LG1983	2-4	LG2281	13-2	LG2796	17-8	LG3422	18-2
LG1983	18-4	LG2287	13-4	LG2797	17-8	LG3444	15-2
LG1983	18-6	LG2296	9-6	LG2798	17-8	LG3445	15-2
LG1984	18-4	LG2297	9-6	LG2799	17-8	LG3446	15-2
LG1985	18-4	LG2299	11-6	LG2800	17-8	LG3447	15-2
LG1989	18-12	LG2300	11-6	LG2801	17-8	LG3449	15-2
LG1990	18-8	LG2302	9-6	LG2802	17-8	LG3450	15-2
LG1991	15-2	LG2303	9-6	LG2803	17-8	LG3461	15-6

<i>PART No.</i>	<i>PAGE No.</i>	<i>PART No.</i>	<i>PAGE No.</i>	<i>PART No.</i>	<i>PAGE No.</i>	<i>PART No.</i>	<i>PAGE No.</i>
LG3507	11-2	LG4219	2-4	LG4479	3-14	LG4560	5-2
LG3511	5-14	LG4234	10-2	LG4480	3-2	LG4561	5-2
LG3513	10-8	LG4294	9-4	LG4480	3-4	LG4562	2-6
LG3518	13-2	LG4320	9-6	LG4480	4-2	LG4562	3-28
LG3526	12-6	LG4329	9-4	LG4481	3-16	LG4562	5-2
LG3551	12-2	LG4329	9-8	LG4481	4-1	LG4563	2-6
LG3552	12-2	LG4336	9-4	LG4484	1-2	LG4563	3-6
LG3567	15-4	LG4375	17-2	LG4484	1-4	LG4563	3-8
LG3602	17-4	LG4376	17-2	LG4484	3-17	LG4563	3-28
LG3603	17-4	LG4377	17-2	LG4485	1-2	LG4563	5-2
LG3612	5-14	LG4378	17-2	LG4485	1-4	LG4564	2-5
LG3623	5-14	LG4380	17-2	LG4485	3-17	LG4564	2-6
LG3629	5-14	LG4383	17-2	LG4486	3-12	LG4564	3-6
LG3634	5-14	LG4392	14-11	LG4486	3-14	LG4564	3-8
LG3636	5-14	LG4407	14-2	LG4488	1-2	LG4564	3-20
LG3647	14-2	LG4408	10-10	LG4488	1-4	LG4564	5-2
LG3670	14-2	LG4408	14-2	LG4488	3-27	LG4565	2-5
LG3670	14-11	LG4409	14-2	LG4488	5-9	LG4565	2-6
LG3679	11-2	LG4410	14-2	LG4489	1-2	LG4565	3-6
LG3681	11-2	LG4411	14-2	LG4489	1-4	LG4565	3-8
LG3727	17-3	LG4412	14-2	LG4489	3-28	LG4565	3-20
LG3957	14-10	LG4437	20-6	LG4490	3-10	LG4565	5-2
LG3958	18-2	LG4445	20-6	LG4491	3-14	LG4566	5-2
LG3987	12-10	LG4466	3-16	LG4492	3-14	LG4570	3-16
LG3990	12-10	LG4468	1-2	LG4493	3-27	LG4570	5-2
LG3991	12-10	LG4468	1-4	LG4493	5-9	LG4571	2-5
LG4087	18-16	LG4468	4-3	LG4494	3-20	LG4572	2-5
LG4098	17-2	LG4470	1-2	LG4495	5-10	LG4572	3-16
LG4099	17-2	LG4470	1-4	LG4497	1-2	LG4572	3-16
LG4100	17-2	LG4470	3-12	LG4497	1-4	LG4572	3-22
LG4101	17-2	LG4470	3-14	LG4497	5-2	LG4572	3-26
LG4102	17-2	LG4471	1-2	LG4498	5-2	LG4572	5-2
LG4107	18-2	LG4471	1-4	LG4499	3-12	LG4572	5-4
LG4114	10-10	LG4471	3-2	LG4499	3-14	LG4572	5-8
LG4120	13-6	LG4471	3-4	LG4500	2-2	LG4573	5-2
LG4127	11-2	LG4471	4-2	LG4501	3-12	LG4575	3-26
LG4160	13-2	LG4472	3-2	LG4501	3-14	LG4575	5-8
LG4161	13-2	LG4472	3-4	LG4514	10-8	LG4576	3-26
LG4162	13-2	LG4472	4-2	LG4546	5-2	LG4576	5-8
LG4165	14-8	LG4475	1-2	LG4547	5-2	LG4578	3-26
LG4166	9-6	LG4475	1-4	LG4548	5-2	LG4578	5-8
LG4178	17-2	LG4475	3-28	LG4549	5-2	LG4579	3-26
LG4179	17-2	LG4476	3-27	LG4551	5-2	LG4579	5-8
LG4180	17-2	LG4476	5-9	LG4552	5-2	LG4580	3-26
LG4181	17-2	LG4477	1-2	LG4553	5-2	LG4580	5-8
LG4204	17-2	LG4477	1-4	LG4554	5-2	LG4581	3-26
LG4205	5-14	LG4477	3-20	LG4555	5-2	LG4581	5-8
LG4205	5-14	LG4478	3-12	LG4556	5-2	LG4582	3-26
LG4214	7-1	LG4478	3-14	LG4558	5-2	LG4582	5-8
LG4216	7-1	LG4479	3-12	LG4559	5-2	LG4583	3-26

<i>PART No.</i>	<i>PAGE No.</i>	<i>PART No.</i>	<i>PAGE No.</i>	<i>PART No.</i>	<i>PAGE No.</i>	<i>PART No.</i>	<i>PAGE No.</i>
LG4583	5-8	LG4613	3-22	LG4671	3-4	LG4697	3-6
LG4584	3-26	LG4613	5-4	LG4672	3-2	LG4697	3-8
LG4584	5-8	LG4614	2-5	LG4672	3-4	LG4698	3-6
LG4585	3-26	LG4614	3-16	LG4673	3-2	LG4698	3-8
LG4585	5-8	LG4614	3-22	LG4673	3-4	LG4699	3-8
LG4586	2-6	LG4614	3-22	LG4673	3-17	LG4700	3-6
LG4587	3-26	LG4614	5-2	LG4674	3-2	LG4700	3-8
LG4587	5-8	LG4614	5-4	LG4674	3-4	LG4701	3-6
LG4588	3-26	LG4614	5-4	LG4675	3-2	LG4701	3-8
LG4588	5-8	LG4615	3-22	LG4675	3-4	LG4702	3-6
LG4589	3-26	LG4615	5-4	LG4675	3-16	LG4703	3-6
LG4589	5-8	LG4616	3-22	LG4676	3-2	LG4703	3-8
LG4590	3-26	LG4616	5-4	LG4676	3-4	LG4704	3-6
LG4590	5-8	LG4617	3-22	LG4677	3-2	LG4704	3-8
LG4591	3-26	LG4617	5-4	LG4677	3-4	LG4705	3-6
LG4591	5-8	LG4620	3-24	LG4678	2-6	LG4705	3-8
LG4592	3-24	LG4620	5-6	LG4679	3-2	LG4706	3-6
LG4592	3-26	LG4621	3-24	LG4679	3-4	LG4706	3-8
LG4592	5-6	LG4621	5-6	LG4680	1-2	LG4711	1-2
LG4592	5-8	LG4622	3-24	LG4680	1-4	LG4711	1-4
LG4593	3-26	LG4622	5-6	LG4680	3-2	LG4711	3-16
LG4593	5-8	LG4623	1-2	LG4680	3-4	LG4712	1-2
LG4594	3-26	LG4623	1-4	LG4681	3-2	LG4712	1-4
LG4594	5-8	LG4623	3-24	LG4681	3-4	LG4712	3-16
LG4595	3-26	LG4623	5-6	LG4682	3-2	LG4713	1-2
LG4595	5-8	LG4624	3-24	LG4682	3-4	LG4713	1-4
LG4596	3-22	LG4624	5-6	LG4682	4-2	LG4713	3-16
LG4596	5-4	LG4628	1-2	LG4683	3-2	LG4714	3-16
LG4602	3-22	LG4628	1-4	LG4683	3-4	LG4715	3-6
LG4602	5-4	LG4628	3-24	LG4683	4-2	LG4715	3-8
LG4603	1-2	LG4628	5-6	LG4684	3-2	LG4716	3-16
LG4603	1-4	LG4630	3-24	LG4684	3-4	LG4717	2-6
LG4603	3-22	LG4630	5-6	LG4684	4-2	LG4717	3-16
LG4603	5-4	LG4631	3-24	LG4685	3-2	LG4718	3-16
LG4604	3-22	LG4631	5-6	LG4685	3-4	LG4719	3-16
LG4604	5-4	LG4632	1-2	LG4685	4-2	LG4722	3-16
LG4605	3-22	LG4632	1-4	LG4686	3-2	LG4722	4-1
LG4605	5-4	LG4632	3-24	LG4686	3-4	LG4723	3-16
LG4606	1-2	LG4632	5-6	LG4688	3-20	LG4724	3-16
LG4606	1-4	LG4633	2-5	LG4688	4-3	LG4725	3-16
LG4606	3-22	LG4667	3-2	LG4689	4-3	LG4726	3-16
LG4606	5-4	LG4667	3-4	LG4690	1-2	LG4727	1-2
LG4609	3-16	LG4667	3-6	LG4690	1-4	LG4727	1-4
LG4609	3-22	LG4668	3-2	LG4690	4-3	LG4727	3-16
LG4609	3-24	LG4668	3-4	LG4691	4-3	LG4728	1-2
LG4609	5-4	LG4669	3-2	LG4692	3-19	LG4728	1-4
LG4609	5-6	LG4669	3-4	LG4692	4-3	LG4728	3-16
LG4610	3-22	LG4670	3-2	LG4693	1-2	LG4729	2-5
LG4610	5-4	LG4670	3-4	LG4693	1-4	LG4729	3-16
LG4612	2-6	LG4671	3-2	LG4693	4-3	LG4731	3-17

<i>PART No.</i>	<i>PAGE No.</i>	<i>PART No.</i>	<i>PAGE No.</i>	<i>PART No.</i>	<i>PAGE No.</i>	<i>PART No.</i>	<i>PAGE No.</i>
LG4732	3-17	LG4782	3-19	LG4831	3-27	LG4975	3-24
LG4733	3-17	LG4783	3-19	LG4831	5-9	LG4975	5-6
LG4736	3-17	LG4784	3-19	LG4832	3-27	LG4976	3-24
LG4737	3-17	LG4785	3-19	LG4832	5-9	LG4976	5-6
LG4738	3-10	LG4786	3-19	LG4833	3-27	LG4977	3-4
LG4739	3-10	LG4787	3-19	LG4833	5-9	LG4978	3-4
LG4741	3-10	LG4789	3-14	LG4834	3-27	LG4983	3-16
LG4742	3-10	LG4791	3-14	LG4834	5-9	LG4983	4-1
LG4743	3-10	LG4792	3-14	LG4850	2-5	LG4984	3-17
LG4745	3-10	LG4793	3-14	LG4851	2-5	LG4985	1-2
LG4746	3-10	LG4794	3-12	LG4853	1-2	LG4985	1-4
LG4747	3-10	LG4794	3-14	LG4853	1-4	LG4985	3-17
LG4748	3-10	LG4795	3-12	LG4853	2-6	LG4986	3-17
LG4749	3-10	LG4795	3-14	LG4854	2-6	LG4987	3-17
LG4750	3-10	LG4796	3-12	LG4856	1-2	LG4988	3-10
LG4751	3-10	LG4796	3-14	LG4856	1-4	LG4989	3-18
LG4752	3-10	LG4797	3-12	LG4856	2-6	LG4990	3-18
LG4753	3-10	LG4797	3-14	LG4857	2-6	LG4991	3-18
LG4754	3-10	LG4798	3-12	LG4865	3-28	LG4992	1-2
LG4755	3-10	LG4798	3-14	LG4867	1-4	LG4992	1-4
LG4755	3-20	LG4801	3-14	LG4867	3-8	LG4992	3-18
LG4756	3-10	LG4802	3-20	LG4868	3-28	LG4993	3-18
LG4756	3-20	LG4803	3-12	LG4869	2-4	LG4994	3-19
LG4757	3-10	LG4803	3-14	LG4870	2-4	LG4995	3-12
LG4761	1-2	LG4804	3-12	LG4878	17-3	LG4995	3-14
LG4761	1-4	LG4804	3-14	LG4885	17-2	LG4999	3-20
LG4761	3-18	LG4805	3-12	LG4886	17-2	LG5001	3-20
LG4762	1-2	LG4805	3-14	LG4887	17-2	LG5002	3-20
LG4762	1-4	LG4807	2-2	LG4895	18-2	LG5003	5-2
LG4762	3-18	LG4807	3-12	LG4898	17-3	LG5004	5-2
LG4763	3-18	LG4807	3-14	LG4914	18-14	LG5005	5-2
LG4764	3-18	LG4808	2-2	LG4924	19-2	LG5006	5-2
LG4765	3-18	LG4808	3-12	LG4929	19-2	LG5007	5-2
LG4766	3-18	LG4808	3-14	LG4930	19-2	LG5008	5-2
LG4767	3-18	LG4811	3-20	LG4940	2-4	LG5009	5-2
LG4770	3-18	LG4822	3-20	LG4940	14-2	LG5010	5-2
LG4772	3-19	LG4825	1-2	LG4951	15-2	LG5011	1-2
LG4773	3-19	LG4825	1-4	LG4952	18-2	LG5011	1-4
LG4775	3-19	LG4825	3-27	LG4969	3-24	LG5011	5-2
LG4776	3-12	LG4825	5-9	LG4969	5-6	LG5012	5-2
LG4776	3-19	LG4826	3-27	LG4970	3-24	LG5013	3-22
LG4777	3-19	LG4826	5-9	LG4970	5-6	LG5013	5-4
LG4778	2-2	LG4827	3-27	LG4971	3-24	LG5016	3-22
LG4778	3-12	LG4827	5-9	LG4971	5-6	LG5016	5-4
LG4778	3-14	LG4828	3-27	LG4972	3-24	LG5017	3-22
LG4778	3-19	LG4828	5-9	LG4972	5-6	LG5017	5-4
LG4779	3-19	LG4829	3-27	LG4973	3-24	LG5018	3-22
LG4780	3-19	LG4829	5-9	LG4973	5-6	LG5018	5-4
LG4780	5-2	LG4830	3-27	LG4974	3-24	LG5019	3-22
LG4781	3-19	LG4830	5-9	LG4974	5-6	LG5019	5-4

<i>PART No.</i>	<i>PAGE No.</i>	<i>PART No.</i>	<i>PAGE No.</i>	<i>PART No.</i>	<i>PAGE No.</i>	<i>PART No.</i>	<i>PAGE No.</i>
LG5022	2-5	LG5139	10-2	LG5189	10-4	LG5244	12-6
LG5030	3-28	LG5140	10-2	LG5190	10-4	LG5245	12-6
LG5031	3-28	LG5141	10-2	LG5191	10-6	LG5246	12-6
LG5032	3-28	LG5142	10-10	LG5192	10-6	LG5247	12-6
LG5034	18-2	LG5143	10-10	LG5193	10-6	LG5248	12-6
LG5086	5-14	LG5144	10-10	LG5194	10-6	LG5249	12-8
LG5091	18-2	LG5145	10-10	LG5195	10-6	LG5250	12-8
LG5095	5-14	LG5146	10-10	LG5196	10-6	LG5251	12-8
LG5096	20-6	LG5147	10-10	LG5197	10-6	LG5252	12-8
LG5097	5-14	LG5148	10-10	LG5198	10-6	LG5254	12-8
LG5098	5-14	LG5149	10-10	LG5199	10-6	LG5256	12-8
LG5099	5-14	LG5150	10-10	LG5200	10-6	LG5257	12-8
LG5100	5-14	LG5151	10-10	LG5201	10-6	LG5258	12-8
LG5101	5-14	LG5152	10-10	LG5202	10-6	LG5259	12-8
LG5102	5-14	LG5153	10-10	LG5203	10-6	LG5260	12-9
LG5103	5-12	LG5154	10-10	LG5204	11-4	LG5261	12-9
LG5104	5-12	LG5155	10-10	LG5205	11-4	LG5262	12-9
LG5105	7-1	LG5156	10-10	LG5206	11-4	LG5263	12-9
LG5106	2-4	LG5157	10-10	LG5207	11-4	LG5264	12-9
LG5107	2-4	LG5158	16-2	LG5208	11-4	LG5265	12-9
LG5108	2-4	LG5159	16-2	LG5209	11-6	LG5266	12-9
LG5109	2-4	LG5160	10-8	LG5210	11-2	LG5285	12-2
LG5110	6-2	LG5161	10-8	LG5211	11-2	LG5286	12-2
LG5111	6-2	LG5162	10-8	LG5212	11-2	LG5287	12-2
LG5112	6-2	LG5163	10-8	LG5213	11-2	LG5288	12-2
LG5113	6-2	LG5164	10-8	LG5214	11-2	LG5289	12-2
LG5114	6-2	LG5165	10-8	LG5215	11-2	LG5290	12-2
LG5115	18-14	LG5166	16-4	LG5215	12-6	LG5291	12-2
LG5116	18-14	LG5167	16-4	LG5216	11-2	LG5292	12-2
LG5117	18-14	LG5168	16-4	LG5217	11-2	LG5293	12-2
LG5118	18-14	LG5169	16-4	LG5218	19-2	LG5294	12-2
LG5119	18-14	LG5170	16-4	LG5219	11-2	LG5295	12-2
LG5120	8-2	LG5171	16-4	LG5220	11-2	LG5296	12-10
LG5121	8-2	LG5172	16-4	LG5226	9-6	LG5297	12-10
LG5122	8-2	LG5173	16-4	LG5228	9-6	LG5298	13-4
LG5124	8-2	LG5174	16-4	LG5230	9-4	LG5298	13-6
LG5125	8-2	LG5175	11-8	LG5231	9-4	LG5300	13-6
LG5126	8-4	LG5176	11-8	LG5232	9-4	LG5301	13-6
LG5127	8-2	LG5177	11-8	LG5233	9-4	LG5302	13-6
LG5128	8-4	LG5178	11-8	LG5234	9-4	LG5303	13-6
LG5129	8-4	LG5179	11-8	LG5235	9-4	LG5304	13-6
LG5130	8-4	LG5180	11-8	LG5236	12-4	LG5305	13-6
LG5131	9-8	LG5181	10-4	LG5237	12-6	LG5306	13-6
LG5132	9-8	LG5182	10-4	LG5238	12-6	LG5307	13-6
LG5133	9-8	LG5183	10-4	LG5239	12-6	LG5308	13-2
LG5134	9-8	LG5184	10-4	LG5240	12-6	LG5309	13-2
LG5135	9-8	LG5185	10-4	LG5241	12-6	LG5310	13-8
LG5136	9-8	LG5186	10-4	LG5242	12-6	LG5311	13-8
LG5137	9-8	LG5187	10-4	LG5242	12-8	LG5312	13-8
LG5138	10-2	LG5188	10-4	LG5243	12-6	LG5313	13-8

<i>PART No.</i>	<i>PAGE No.</i>	<i>PART No.</i>	<i>PAGE No.</i>	<i>PART No.</i>	<i>PAGE No.</i>	<i>PART No.</i>	<i>PAGE No.</i>
LG5314	13-8	LG5365	15-5	LG5418	11-8	LG5464	3-14
LG5315	13-8	LG5366	15-4	LG5419	10-4	LG5465	3-16
LG5316	13-8	LG5368	15-4	LG5421	12-8	LG5466	3-16
LG5317	13-8	LG5369	15-4	LG5422	12-6	LG5467	3-16
LG5318	13-8	LG5370	15-4	LG5422	12-8	LG5468	3-16
LG5319	17-3	LG5371	15-4	LG5423	12-6	LG5468	4-1
LG5320	17-3	LG5372	15-4	LG5424	12-6	LG5469	1-2
LG5321	17-3	LG5373	15-4	LG5426	12-6	LG5469	1-4
LG5322	17-6	LG5374	15-4	LG5427	12-2	LG5469	3-16
LG5323	17-6	LG5375	15-6	LG5429	12-9	LG5469	4-1
LG5324	17-2	LG5376	15-6	LG5430	12-9	LG5470	3-16
LG5325	17-2	LG5377	15-6	LG5431	5-14	LG5470	3-28
LG5326	17-2	LG5378	15-6	LG5432	2-4	LG5470	4-1
LG5327	17-2	LG5379	18-2	LG5433	2-4	LG5471	3-16
LG5328	17-2	LG5380	18-2	LG5434	2-4	LG5472	3-16
LG5329	17-2	LG5381	18-2	LG5435	8-4	LG5473	1-2
LG5330	14-3	LG5382	18-2	LG5436	8-4	LG5473	1-4
LG5331	14-7	LG5383	18-2	LG5436	11-8	LG5473	3-16
LG5332	14-8	LG5384	18-2	LG5436	12-8	LG5474	3-16
LG5333	14-8	LG5385	18-2	LG5437	9-4	LG5475	3-16
LG5334	14-8	LG5386	18-2	LG5438	9-4	LG5475	4-1
LG5335	14-11	LG5387	18-10	LG5438	9-8	LG5476	3-16
LG5336	14-11	LG5388	18-10	LG5439	10-2	LG5477	3-16
LG5337	14-11	LG5389	18-10	LG5440	10-2	LG5478	2-6
LG5338	14-2	LG5390	18-10	LG5441	10-6	LG5478	3-16
LG5340	14-2	LG5391	18-10	LG5442	10-6	LG5479	3-20
LG5341	14-2	LG5392	18-10	LG5443	10-6	LG5480	3-20
LG5342	14-2	LG5393	18-6	LG5443	17-2	LG5481	3-20
LG5343	14-2	LG5394	18-6	LG5444	10-10	LG5484	3-27
LG5344	14-2	LG5395	18-12	LG5445	10-10	LG5484	5-9
LG5345	14-2	LG5396	18-12	LG5446	10-10	LG5485	3-22
LG5346	14-2	LG5397	18-12	LG5447	3-2	LG5485	5-4
LG5347	14-2	LG5398	18-12	LG5448	3-2	LG5486	1-2
LG5348	14-2	LG5399	18-12	LG5449	3-2	LG5486	1-4
LG5349	14-2	LG5400	18-12	LG5449	3-4	LG5486	3-22
LG5350	14-4	LG5401	18-12	LG5451	3-6	LG5486	5-4
LG5351	14-4	LG5402	18-12	LG5452	3-6	LG5487	3-22
LG5352	14-10	LG5403	18-16	LG5454	3-8	LG5487	5-4
LG5353	14-10	LG5404	18-16	LG5455	3-8	LG5488	3-22
LG5354	14-10	LG5405	18-16	LG5456	3-12	LG5488	5-4
LG5355	14-10	LG5406	18-16	LG5457	3-12	LG5489	3-22
LG5356	14-10	LG5407	20-6	LG5458	3-12	LG5489	5-4
LG5357	14-6	LG5409	20-6	LG5459	3-12	LG5490	1-2
LG5358	14-6	LG5410	20-6	LG5460	3-12	LG5490	1-4
LG5359	14-6	LG5411	20-6	LG5461	3-12	LG5490	3-22
LG5360	14-6	LG5412	20-6	LG5462	3-12	LG5490	5-4
LG5361	18-8	LG5413	20-6	LG5462	3-14	LG5491	3-22
LG5362	18-8	LG5414	20-6	LG5463	3-12	LG5491	5-4
LG5363	15-2	LG5415	20-6	LG5463	3-14	LG5492	3-22
LG5364	15-5	LG5416	20-6	LG5464	3-12	LG5492	5-4

<i>PART No.</i>	<i>PAGE No.</i>	<i>PART No.</i>	<i>PAGE No.</i>	<i>PART No.</i>	<i>PAGE No.</i>	<i>PART No.</i>	<i>PAGE No.</i>
LG5493	3-24	LG5543	11-2	N630070S8	5-12	N661221S	9-4
LG5493	5-6	LG5544	11-2	N630072S8	15-4	N661221S	10-8
LG5494	2-5	LG5545	12-2	N630072-S8	10-4	N661221S	10-10
LG5495	2-5	LG5546	12-6	N630073-S8	10-6	N661221S	11-8
LG5496	2-5	LG5547	12-6	N630173S8	14-8	N661221S	14-2
LG5497	2-5	LG5548	12-8	N630173S8	14-10	N661221S	16-2
LG5498	2-5	LG5549	14-2	N630174S8	9-8	N661225S	14-2
LG5499	2-5	LG5550	14-2	N630174S8	12-6	N66123S8	14-7
LG5500	1-2	LG5551	14-2	N630174S8	14-2	N661242S	9-6
LG5500	1-4	LG5552	14-6	N630174S8	14-10	TX10863	19-4
LG5500	2-5	LG5553	14-7	N630175S8	10-2		
LG5501	2-6	LG5554	15-2	N630175S8	14-3		
LG5502	2-6	LG5555	15-4	N630175S8	14-6		
LG5503	4-3	LG5556	18-14	N630176S36	19-2		
LG5504	4-3	LG5557	18-16	N630176S36	19-4		
LG5505	4-3	LG5560	11-2	N630176S36	19-6		
LG5506	3-28	LG5561	18-12	N630176S8	12-4		
LG5507	1-2	LG5562	1-2	N630187S8	11-2		
LG5507	1-4	LG5562	3-6	N630187S8	13-2		
LG5507	3-28	LG5563	5-14	N630187S8	15-2		
LG5513	2-2	LG5564	5-14	N630187S8	18-8		
LG5514	2-2	LG5565	5-10	N630187S8	18-16		
LG5515	2-2	LG5565	5-14	N630189S8	15-6		
LG5516	2-2	LG5566	8-2	N642565S8	9-4		
LG5517	11-2	LG5567	6-2	N642565S8	9-8		
LG5518	11-6	LG5568	14-10	N642590S8	12-10		
LG5519	11-8	LG5569	8-2	N642591S8	15-4		
LG5520	11-8	LG5570	10-4	N64663-S8	10-4		
LG5521	12-2	LG5571	10-4	N646661S8	11-4		
LG5522	12-4	LG5572	10-10	N646661S8	12-9		
LG5523	11-2	LG5573	16-4	N646663S8	10-6		
LG5523	12-6	LG5574	16-4	N646664-S8	10-6		
LG5524	12-6	LG5575	18-6	N646684S8	9-4		
LG5525	12-6	LG5702	3-8	N646684S8	11-6		
LG5526	12-6	N600414S8	14-3	N660232S	10-10		
LG5527	12-6	N600417S8	14-3	N660242S	11-8		
LG5528	13-6	N600422S8	13-8	N660242S	16-2		
LG5529	13-6	N600422S8	14-2	N660242S	16-4		
LG5530	13-8	N620012S8	17-6	N660245S	10-8		
LG5531	13-8	N6200135S	14-8	N660245S	10-10		
LG5532	15-6	N620013S8	5-12	N660250S	10-8		
LG5533	15-6	N620013S8	7-1	N660250S	16-4		
LG5534	18-2	N620013S8	9-4	N660255S	10-10		
LG5535	18-6	N630067S8	17-6	N660257S	10-8		
LG5537	12-9	N630068S8	5-12	N660257S	12-2		
LG5538	18-12	N630068S8	14-4	N661208S	14-10		
LG5539	10-6	N630068S8	14-10	N661208S	18-14		
LG5540	10-8	N630068S8	18-4	N661216S	10-10		
LG5541	10-4	N630069S8	9-4	N661216S	13-2		
LG5542	11-2	N630069S8	9-8	N661216S	16-2		



 **LongAgribusiness**

REMEMBER TO CONTACT YOUR LOCAL DEALER
FOR GENUINE LONGAGRIBUSINESS PARTS.

Part No. 751442
Printed in the USA

02/04

YOUR SERVICING DEALER

