

EXPLORER 75 T

ENGINE

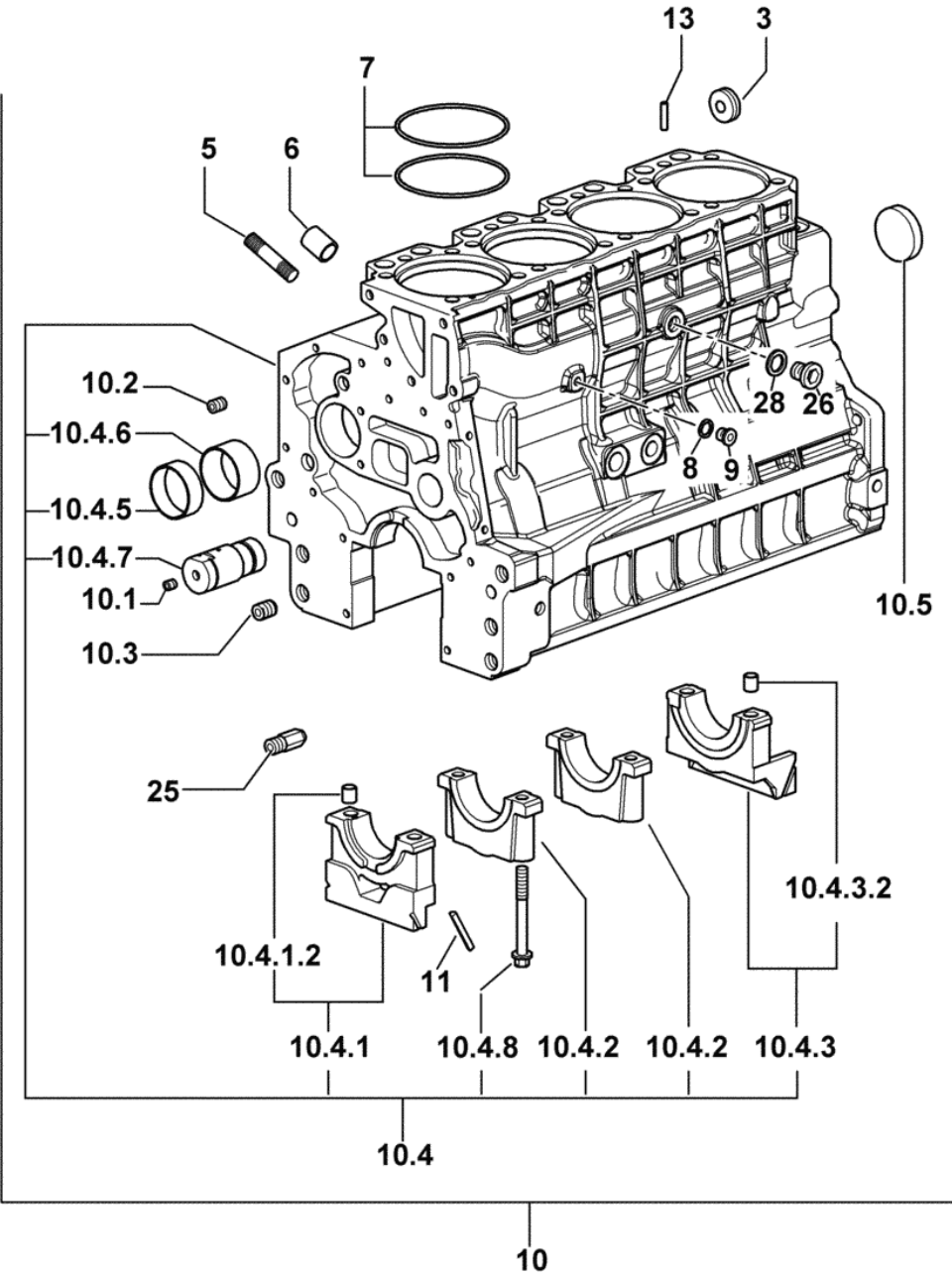
CRANKCASE.....	1
TIMING CASE.....	2
GUARD PLATE.....	3
CASING COVER.....	4
MONOBLOC ENGINE-GEARBOX CONNECTING FLANGE.....	6
SIDE PLUG FOR CYLINDER BLOCK.....	7
PLUG.....	8
CRANKSHAFT.....	10
CYLINDER - PISTON - CONNECTING ROD.....	12
CRANKSHAFT PULLEY.....	14
ENGINE FLYWHEEL.....	15
COUNTERWEIGHTS.....	17
CAMSHAFT.....	18
CYLINDER HEAD.....	20
OIL PAN.....	25
LUBRICATING OIL INTAKE LINE.....	26
FITTING FOR ENGINE OIL PRESSURE SWITCH.....	27
LUBRIC. OIL FILTER.....	28
LUBRICATION.....	30
LUBRICATION.....	33
LUBRIC. OIL COOLER.....	38
MECHANICAL ENGINE GOVERNOR.....	39
PLUG FOR MECHANICAL REGULATOR.....	41
FUEL FEED PUMP.....	42
INJECTION PUMP - INJECTOR.....	43
FUEL PIPES.....	45
FUEL FILTER.....	46
THERMO STARTER.....	47
WATER COOLING.....	50
COOLING WATER PUMP.....	52
WATER COOLING.....	55
WATER COOLING.....	56
COOLANT PUMP PULLEY.....	57
COOLANT PUMP DRIVEBELT.....	59
COOLING SYSTEM MANIFOLD.....	61
WATER COOLING -SEALING.....	65
WATER MANIFOLD COVER.....	66
INTAKE AND EXHAUST.....	69
INTAKE AND EXHAUST MANIFOLD GASKETS.....	73
EXHAUST SILENCER.....	78
EXHAUST SILENCER.....	81

SIDE EXHAUST SILENCER.....	82
GASKET SET FOR ENGINE ASSEMBLY.....	84

Section: ENGINE
CRANKCASE

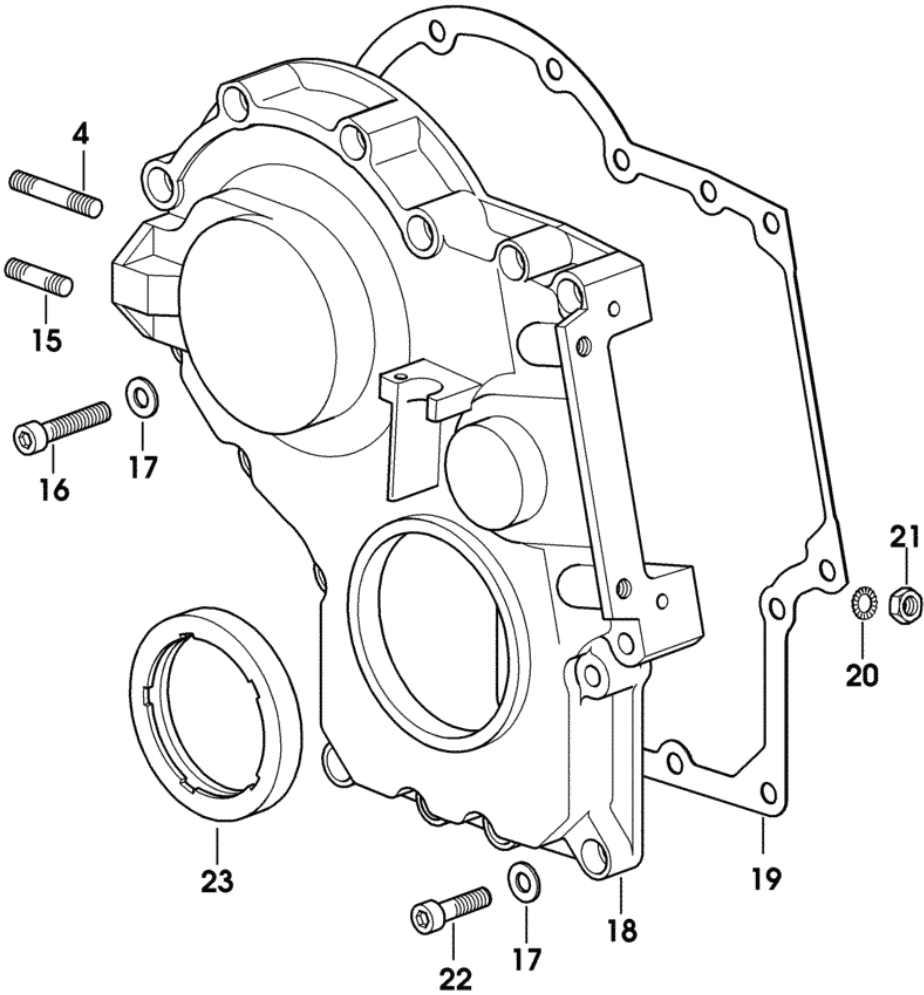
9_M8211_00_0_A

Fig.	Code	QTY	Name
3	2.3199.312.2/10	1	plug
5	2.0439.273.7	8	stud bolt m 8
6	2.1559.188.2	4	sleeve
7	2.1539.193.0	8	ring 107.62x2.62
8	2.1560.010.0	1	gasket 14.2x20
9	2.3199.292.0	1	plug
10	0.013.0489.4/30	1	crankcase
10.1	2.3130.001.1	10	plug 1/8 gas
10.2	2.3130.002.1	2	plug 1/4 gas
10.3	2.3130.003.1	6	plug 3/8 gas
10.4	0.000.0000.1	0	not serviceable
10.4.1	0.065.1112.7	1	support
10.4.1.2	2.1699.165.0	1	sleeve 12.3x15x16
10.4.2	0.065.1114.0/10	3	support
10.4.3	0.065.1116.3	1	support
10.4.3.2	2.1699.165.0	1	sleeve 12.3x15x16
10.4.5	0.065.1140.0	4	bushing 59X55X20
10.4.6	0.065.1141.0	1	bushing 59X55X30
10.4.7	0.066.1151.0	1	pin
10.4.8	0.065.1117.0	10	screw
10.5	2.3179.012.0	1	plug 60
11	0.066.1152.0/10	4	gasket
13	2.1549.154.2	4	sleeve 4.8x5.8x16
25	0.013.4946.0/10	1	cooling nozzle
26	2.3120.101.0	1	plug m 18 p.1.5
28	2.1560.014.0	1	gasket 18.2x24x1.5



Section: ENGINE
TIMING CASE

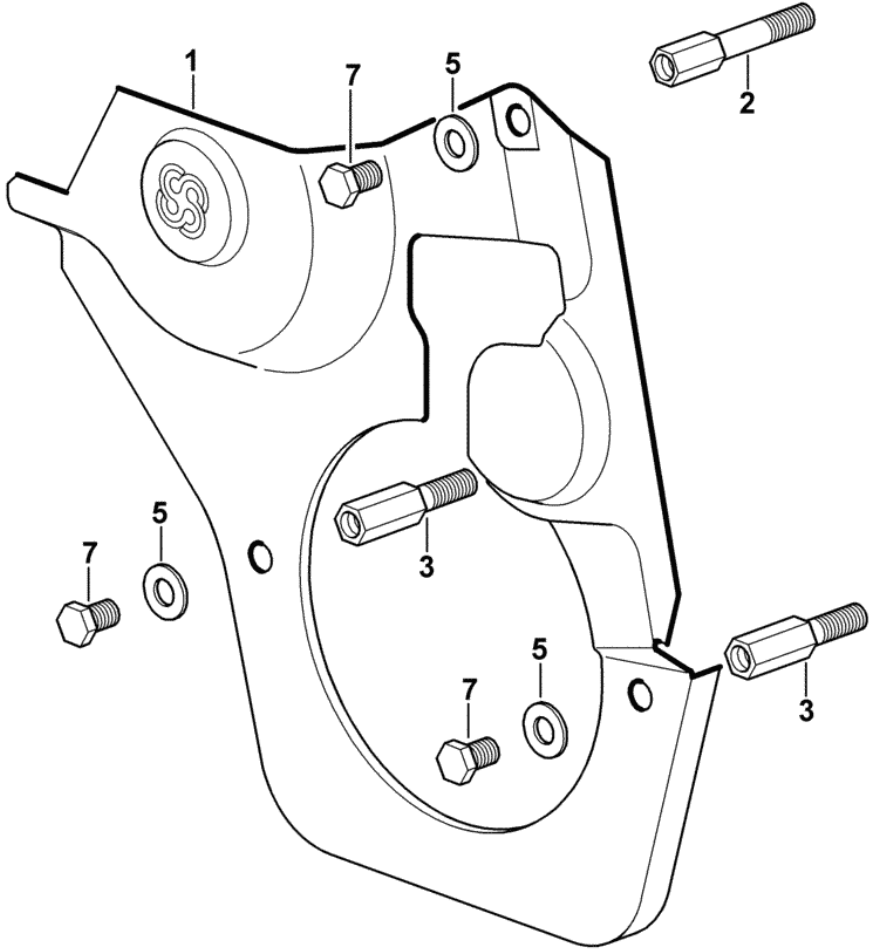
Fig.	Code	QTY	Name
4	2.0432.009.7	1	stud bolt m 8 p.1.25-1x35
15	2.0432.003.7	1	stud bolt m 8 p.1.25-1x20
16	2.0312.214.2	7	screw m 8 p.1.25x40
17	2.1480.014.1	15	washer 8
18	0.013.4981.0	1	sump
19	0.065.1150.0/30	1	gasket
20	2.1470.004.2	4	lock washer 8
21	2.1011.405.2	2	nut m 8 p.1
22	2.0312.208.2	8	screw m 8 p.1.25x25
23	2.1529.167.0	1	'o' ring



9_M8211_00_0_B

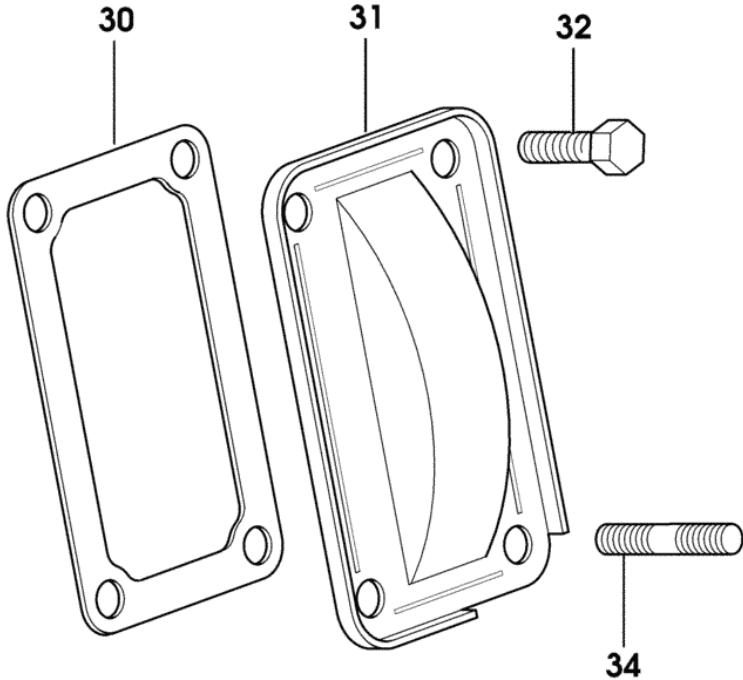
Section: ENGINE
GUARD PLATE

Fig.	Code	QTY	Name
1	0.007.1262.3/50	1	sump
2	0.007.1271.0/10	1	small column
3	0.007.1272.0/10	2	small column
5	2.1310.004.2	3	flat washer 8.4x16
7	2.0112.203.2	3	screw m 8 p.1.25x12



Section: ENGINE
CASING COVER

Fig.	Code	QTY	Name
30	0.065.1152.0	1	gasket
31	0.065.1151.0	1	cover
32	2.0112.205.2	2	screw m 8 p.1.25x16
34	2.0432.005.7	2	stud bolt m 8 p.1.25-1x25

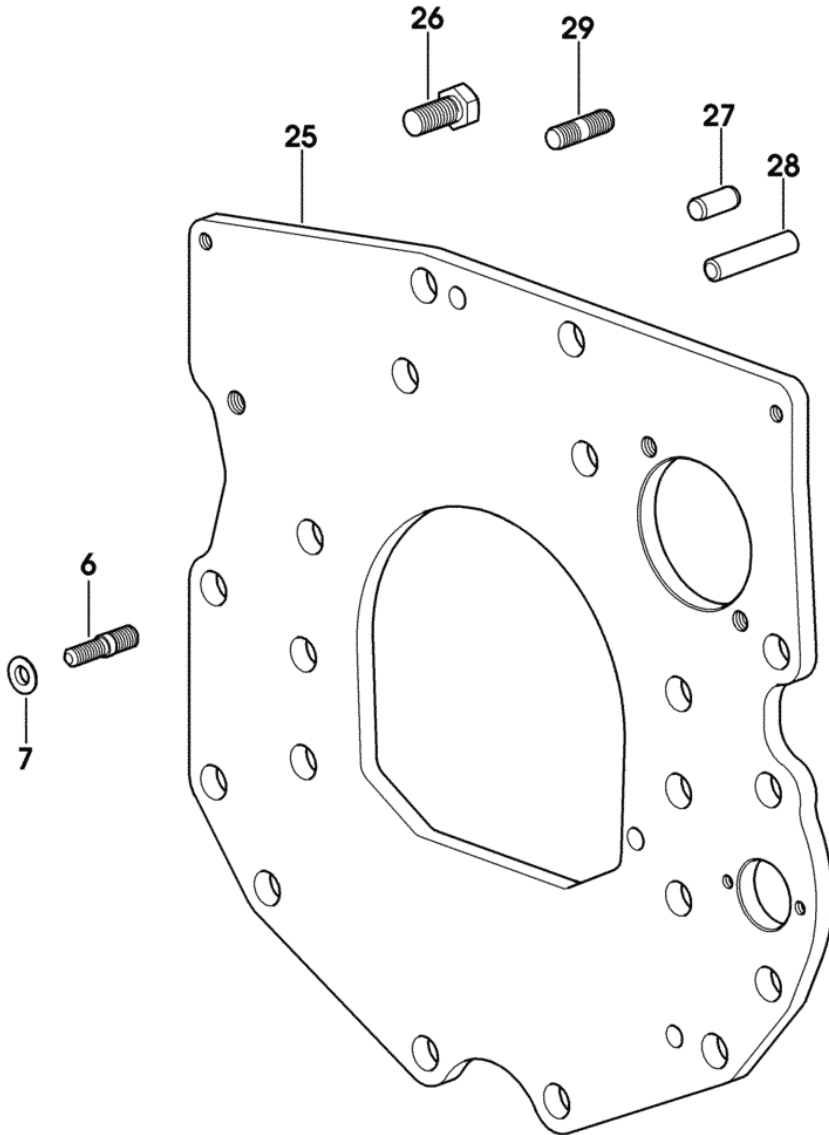


9_33011_04_0_0

Section: ENGINE

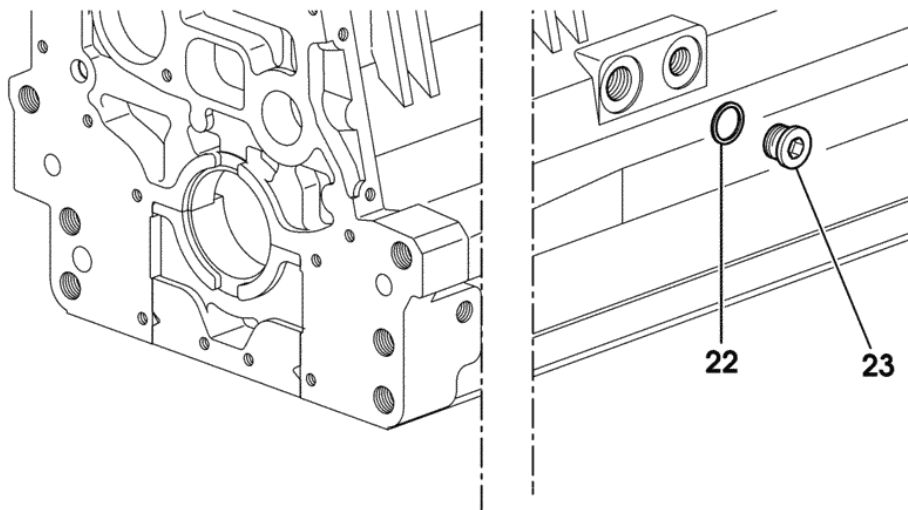
MONOBLOC ENGINE-GEARBOX CONNECTING FLANGE

Fig.	Code	QTY	Name
6	2.0439.250.7	1	stud bolt m 12-m 10x30
7	0.011.9294.0/10	1	sleeve
25	0.066.1130.0/20	1	flange
26	2.0112.511.2	8	screw m 14 p.2x30
27	2.1651.912.0	2	cylindrical plug 12x28
28	2.1651.917.0	1	cylindrical plug 12x40
29	2.0432.257.7	1	stud bolt m 12 p.1.75-1.25x30



SIDE PLUG FOR CYLINDER BLOCK

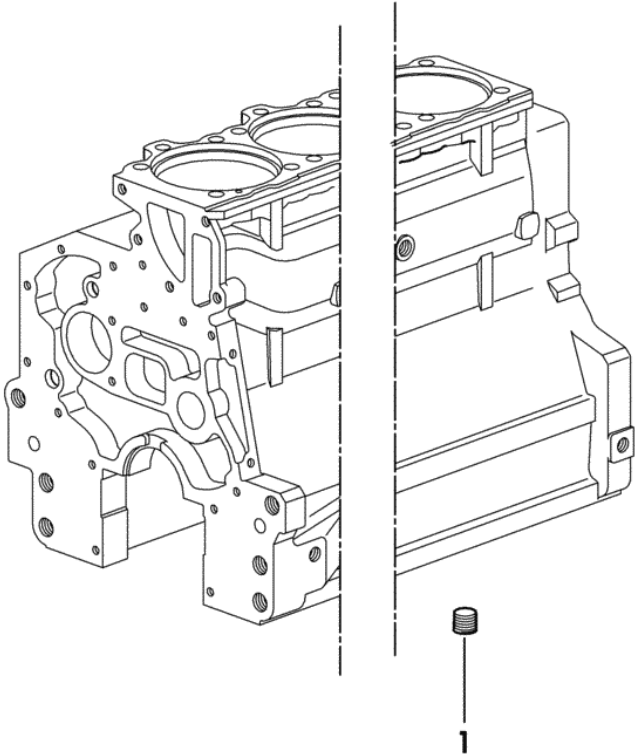
Fig.	Code	QTY	Name
22	2.1560.017.0	1	gasket 22.2x27
23	2.3120.002.4	1	plug m 22 p.1.5



9_33211_07_0_0

PLUG

Fig.	Code	QTY	Name
1	2.3130.003.1	2	plug 3/8 gas



9_33311_06_0_0

Section: ENGINE
CRANKSHAFT

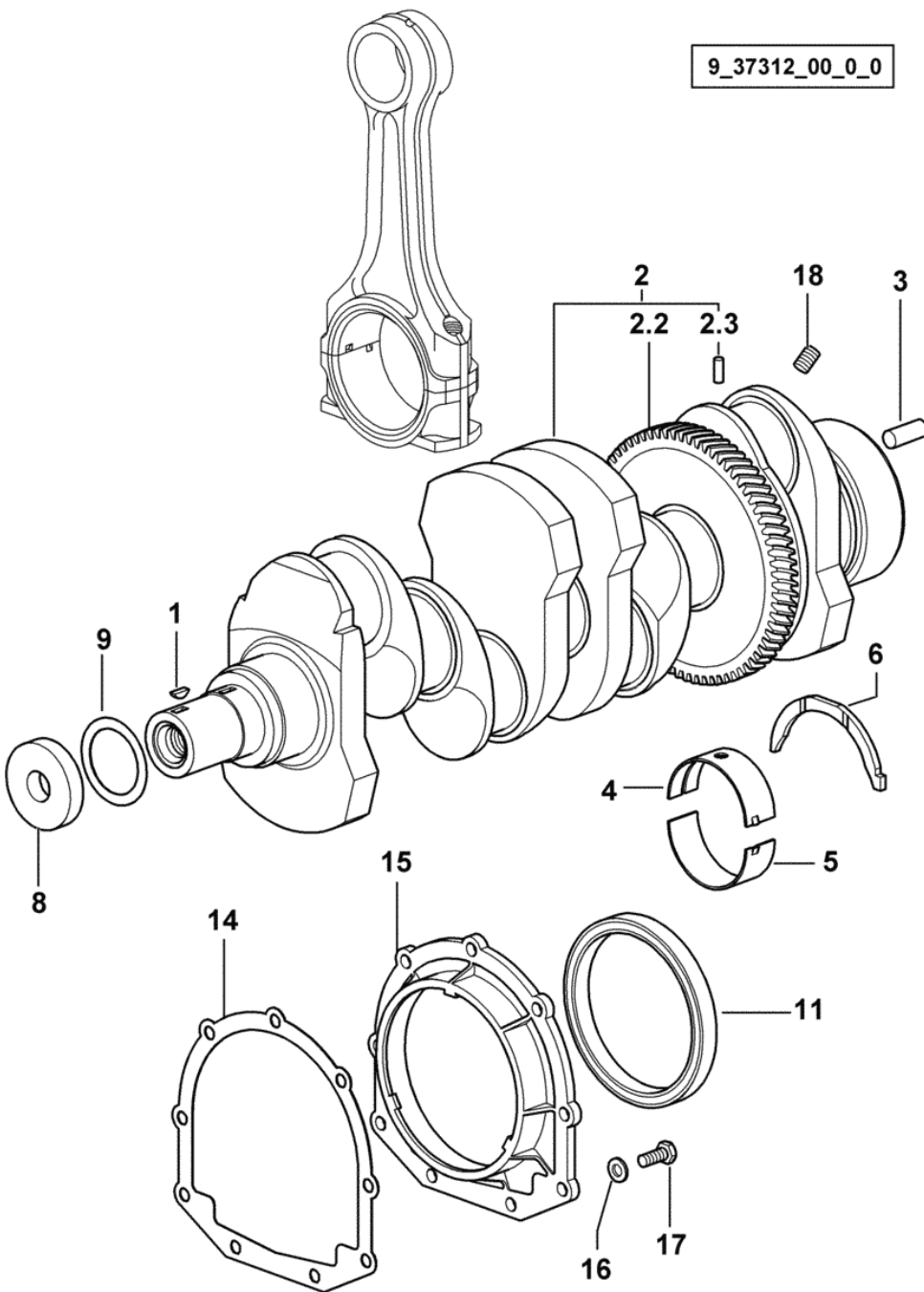
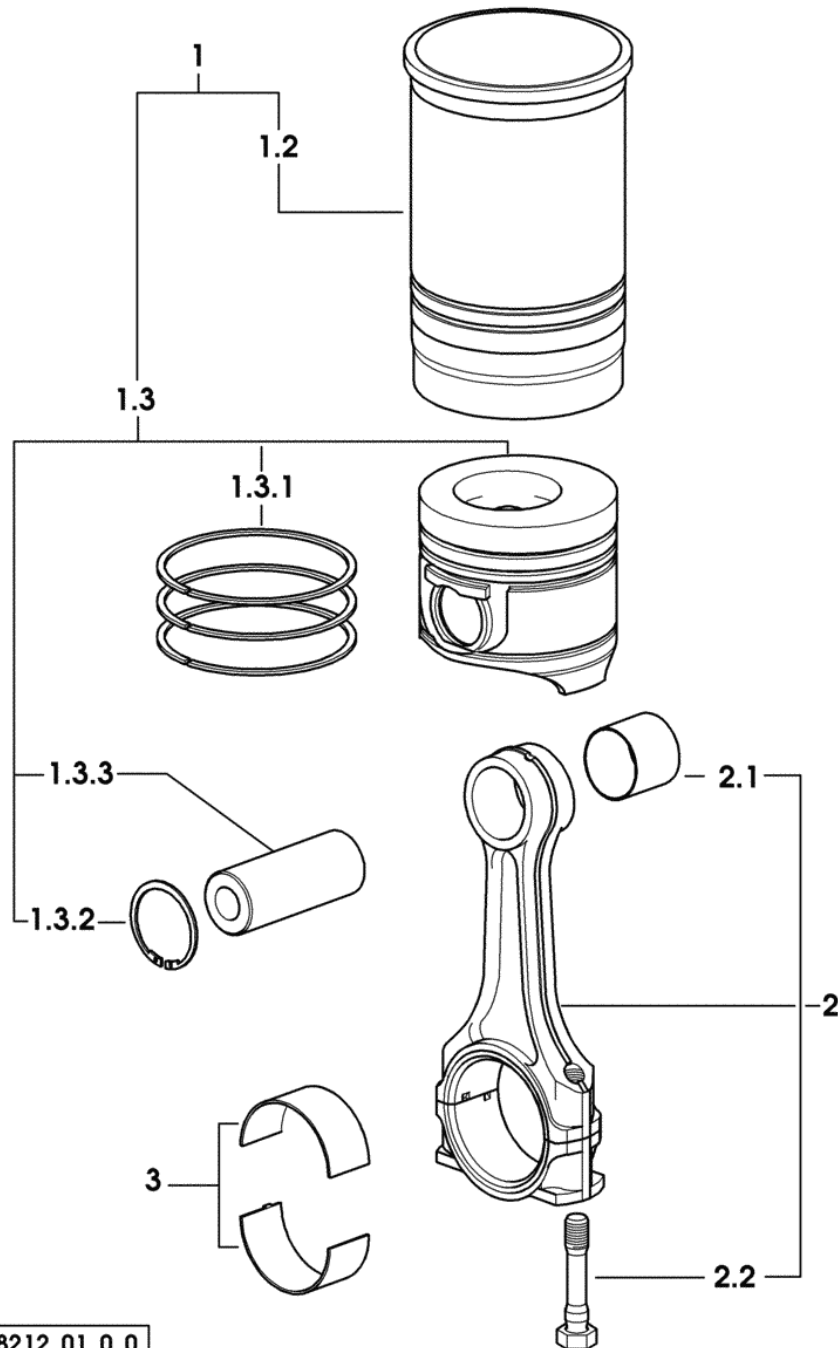


Fig.	Code	QTY	Name
1	2.1720.006.0	1	key 4x6.5
2	0.015.0463.3	1	crank shaft
2.2	0.065.1211.0/10	1	crown wheel
2.3	2.1630.608.0	1	roll pin 6x16
3	2.1651.915.0	1	pin 12x35
4	0.065.1215.0	5	main half bushing
4	0.065.1215.7	0	main half bushing - mm 0.25
4	0.065.1215.8	0	main half bushing - mm 0.50
5	0.065.1216.0	5	main half bushing
5	0.065.1216.7	0	main half bushing - mm 0.25
5	0.065.1216.8	0	main half bushing - mm 0.50
6	0.065.1218.0	4	shim
6	0.065.1218.7	0	shim - mm 0.25
6	0.065.1218.8	0	shim - mm 0.50
8	2.1599.524.7	1	washer 21x60x12
9	2.1589.189.0	2	shim mm 1
11	2.1529.073.0	1	'o' ring 110x130x13
14	0.065.1254.0/20	1	gasket
15	0.007.1711.0/10	1	cover
16	2.1475.002.2	9	conical washer 8.4x16
17	2.0112.207.2	9	screw m 8 p 1.25x20
18	2.3130.001.1	4	plug 1/8 gas

Section: ENGINE

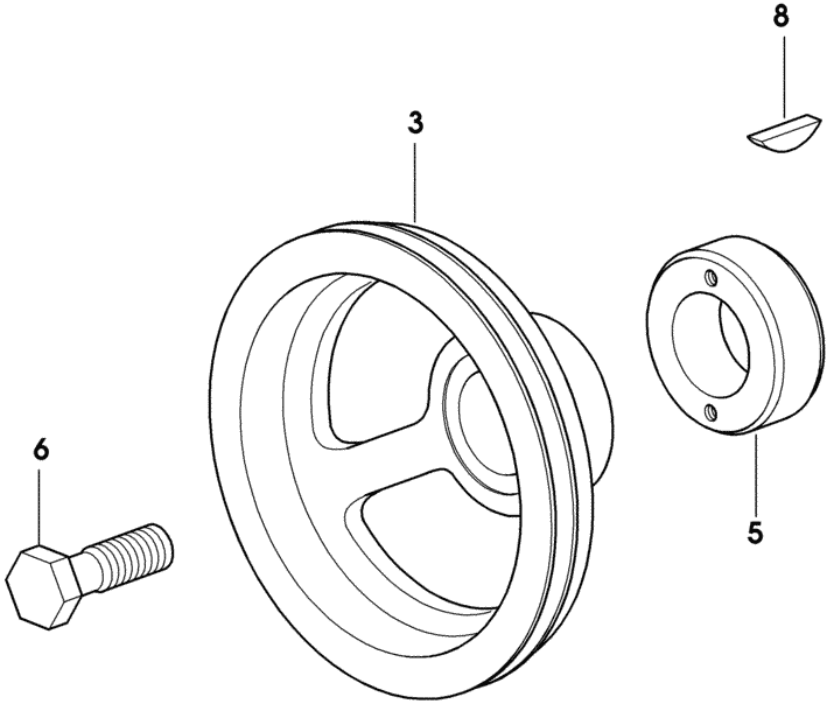
CYLINDER - PISTON - CONNECTING ROD

Fig.	Code	QTY	Name
1	0.082.0065.A	4	piston cyl.assembly "A" - CLASS A
1	0.082.0065.B	4	piston cyl.assembly "B" - CLASS B
1.2	0.A12.2675.0	1	engine cylinder "A" - CLASS A
1.2	0.B12.2675.0	1	engine cylinder "B" - CLASS B
1.3	0.082.0060.A	1	complete piston "A" - CLASS A
1.3	0.082.0060.B	1	complete piston "B" - CLASS B
1.3.1	0.086.0052.6/10	1	piston ring set
1.3.2	2.1411.014.1	2	circlip 35
1.3.3	0.078.1236.0	1	piston pin
2	0.078.1220.3/30	4	engine connect.rod
2.1	2.1559.114.0/10	1	bushing 35x39x35
2.2	2.0399.213.0	2	screw m 12 p.1.25x61.5
3	0.065.1225.0	8	con.rod half bushing
3	0.065.1225.7	8	con.rod half bushing - mm 0.25
3	0.065.1225.8	8	con.rod half bushing - mm 0.50



Section: ENGINE
CRANKSHAFT PULLEY

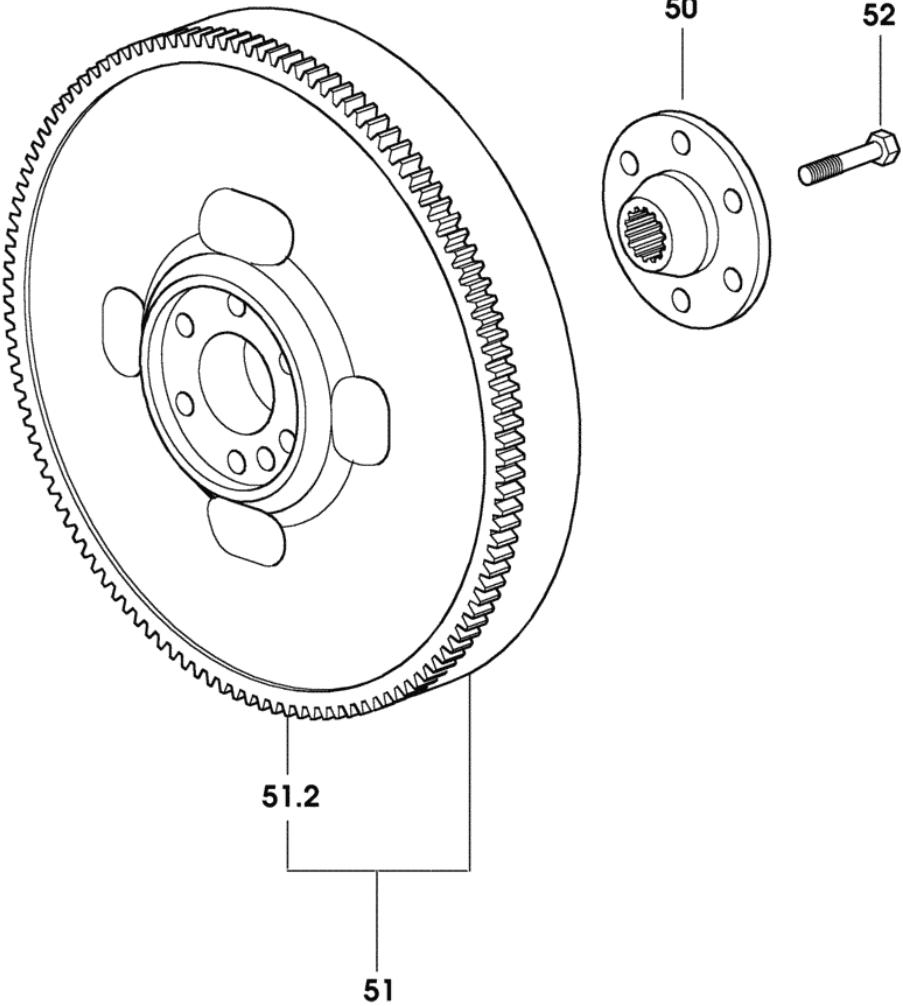
Fig.	Code	QTY	Name
3	0.007.1457.0/30	1	pulley
5	0.085.1248.0/20	1	hub
6	2.0399.144.7/10	1	screw m 20 p.1.5x51
8	2.1720.006.0	1	key 4x6.5



9_33312_02_0_0

Section: ENGINE
ENGINE FLYWHEEL

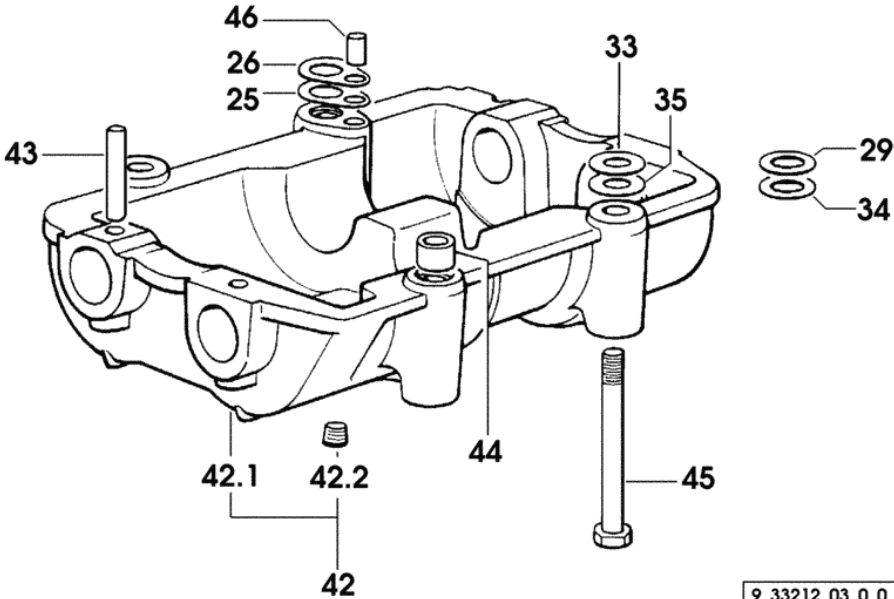
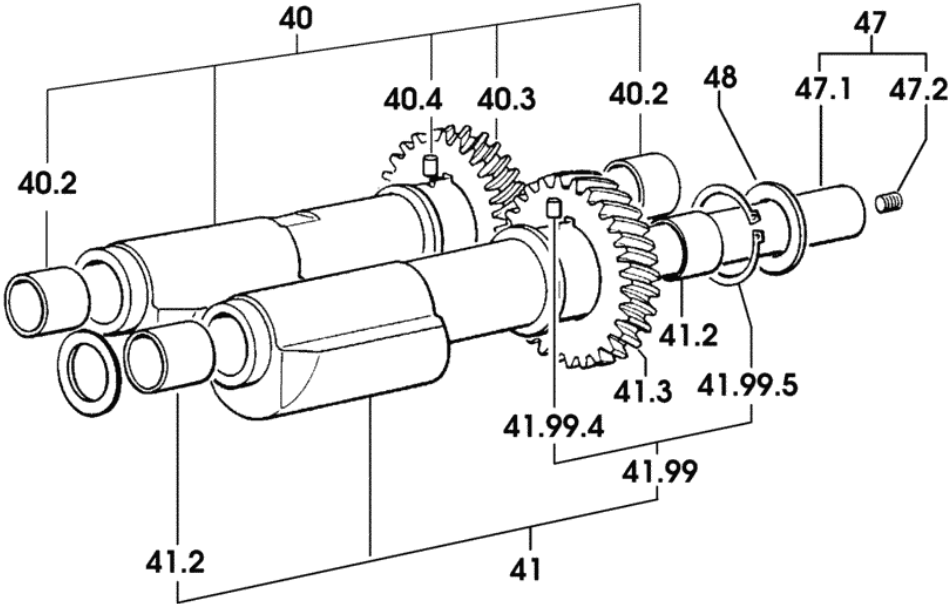
Fig.	Code	QTY	Name
50	0.255.2525.0/10	1	flange
51	0.076.1247.3/20	1	flywheel
51.2	0.065.1242.0	1	crown wheel z=123
52	2.0139.022.2	6	screw m 12 p.1.25x55



9_33212_07_0_0

Section: ENGINE
COUNTERWEIGHTS

Fig.	Code	QTY	Name
25	2.1589.139.0	1	shim mm 0.3
26	2.1589.140.0	3	shim mm 0.1
29	2.1579.628.0	3	shim 16.5x26x0.1
33	2.1579.629.0	6	shim 12.5x26x0.1
34	2.1589.048.0	1	shim 16.5x26x0.3
35	2.1589.049.0	1	shim 12.5x26x0.3
40	0.086.1233.3/30	1	mass
40.2	2.1559.115.0	2	bushing 26x30x30
40.3	0.000.0000.1	0	not serviceable
40.4	2.1651.302.0	1	pin 4x6
41	0.065.1233.3/30	1	mass
41.2	2.1559.115.0	2	bushing 26x30x30
41.3	0.000.0000.1	0	not serviceable
41.99	0.000.0000.1	0	not serviceable
41.99.4	2.1651.302.0	1	pin 4x6
41.99.5	2.1410.018.7	1	circlip 45
42	0.000.0000.1	0	not serviceable
42.1	0.086.1231.0/10	1	box
42.2	2.3130.001.1	4	plug 1/8 gas
43	2.1631.717.0	2	roll pin 8x40
44	2.1579.626.0	2	spacer 13.2x16x11
45	2.0139.028.2	4	screw m 12
46	2.1699.191.0	1	sleeve 7x10x16
47	0.000.0000.1	0	not serviceable
47.1	0.065.1234.0/10	1	shaft
47.2	2.3130.001.1	1	plug 1/8 gas
48	2.1589.185.0	4	shim 26.1x34x1

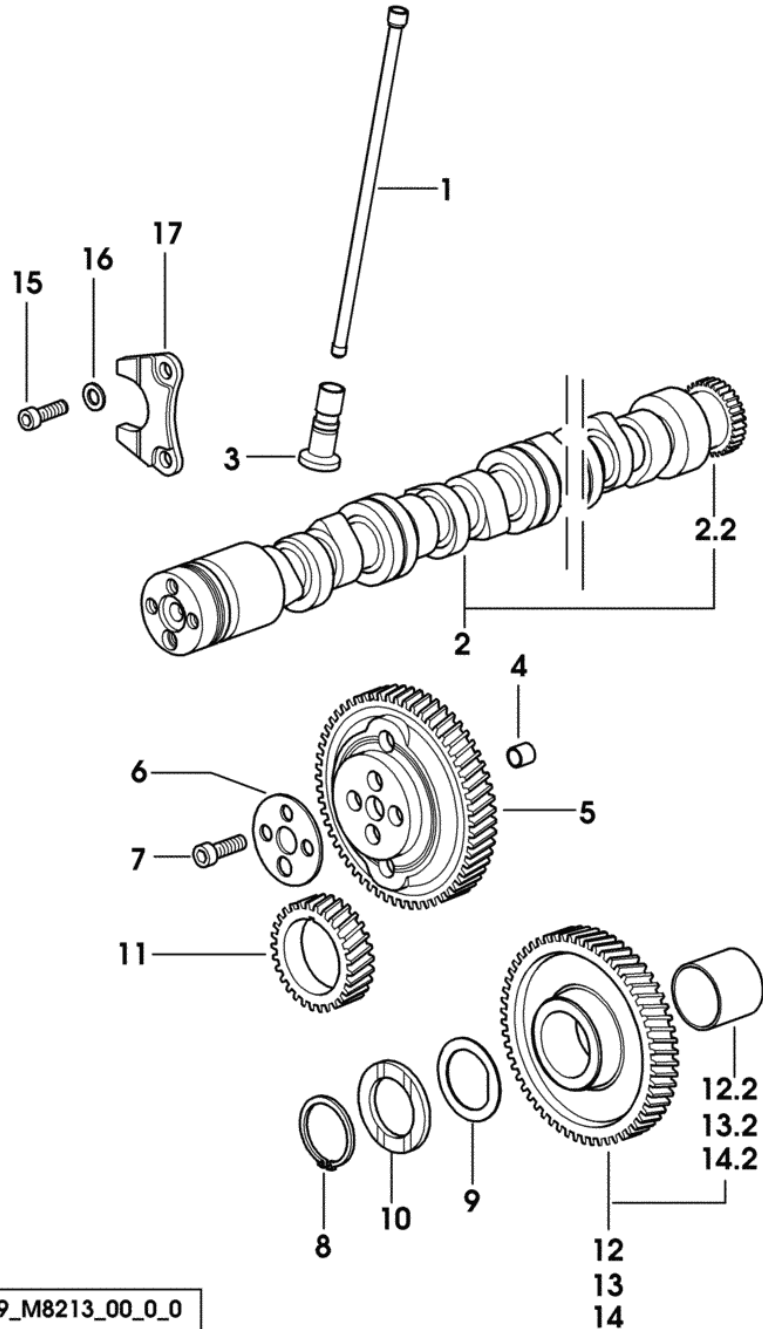


9_33212_03_0_0

Section: ENGINE

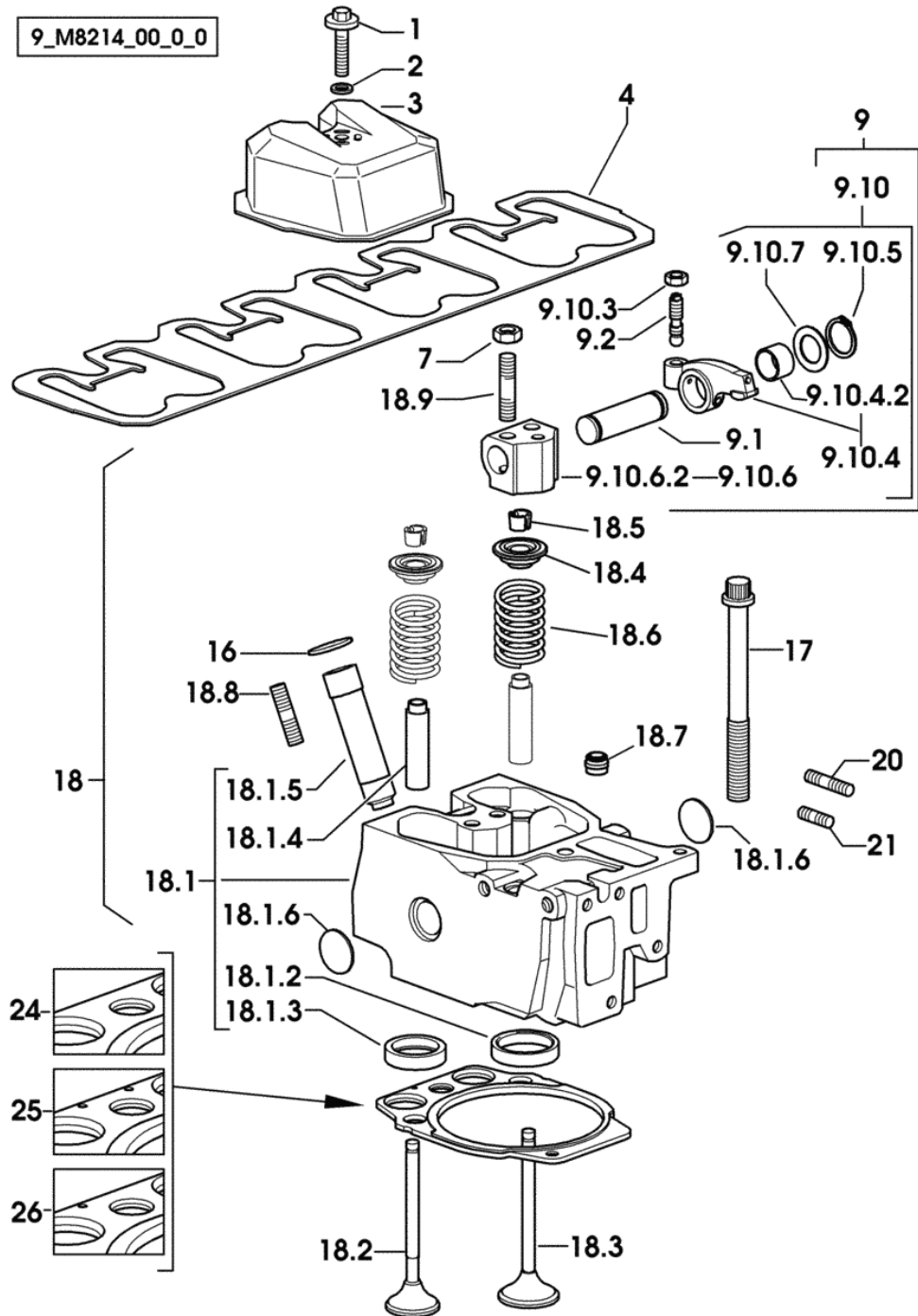
CAMSHAFT

Fig.	Code	QTY	Name
1	0.065.1331.2	8	rod
2	0.013.1463.3/20	1	camshaft
2.2	0.065.1324.0/10	1	gear z=32
3	0.065.1330.0	8	tappets
4	2.1559.398.0	1	bushing 10.5x13x12
5	0.013.5017.0	1	gear z=58
6	0.065.1350.0	1	small disc
7	2.0132.207.2	4	screw m 10 p.1x25
8	2.1410.016.1	1	circlip 40x1.75
9	0.065.1352.0	1	shim
10	0.065.1351.0	2	snoulder
11	0.065.1323.0/30	1	gear z=29
12	0.007.1177.3/20	0	gear z = 57 - WITH RED IDENTIFICATION STAMP
12.2	2.1559.185.0/10	1	bushing
13	0.007.1178.3/20	0	gear z = 57 - WITH YELLOW IDENTIFICATION STAMP
13.2	2.1559.185.0/10	1	bushing
14	0.007.1179.3/20	0	gear z = 57 - WITH GREEN IDENTIFICATION STAMP
14.2	2.1559.185.0/10	1	bushing
15	2.0312.205.2	2	screw m 8 p.1.25x18
16	2.1480.014.1	2	washer 8
17	0.065.1353.0	1	small plate



9_M8213_00_0_0

9_M8214_00_0_0



EXPLORER 75 T

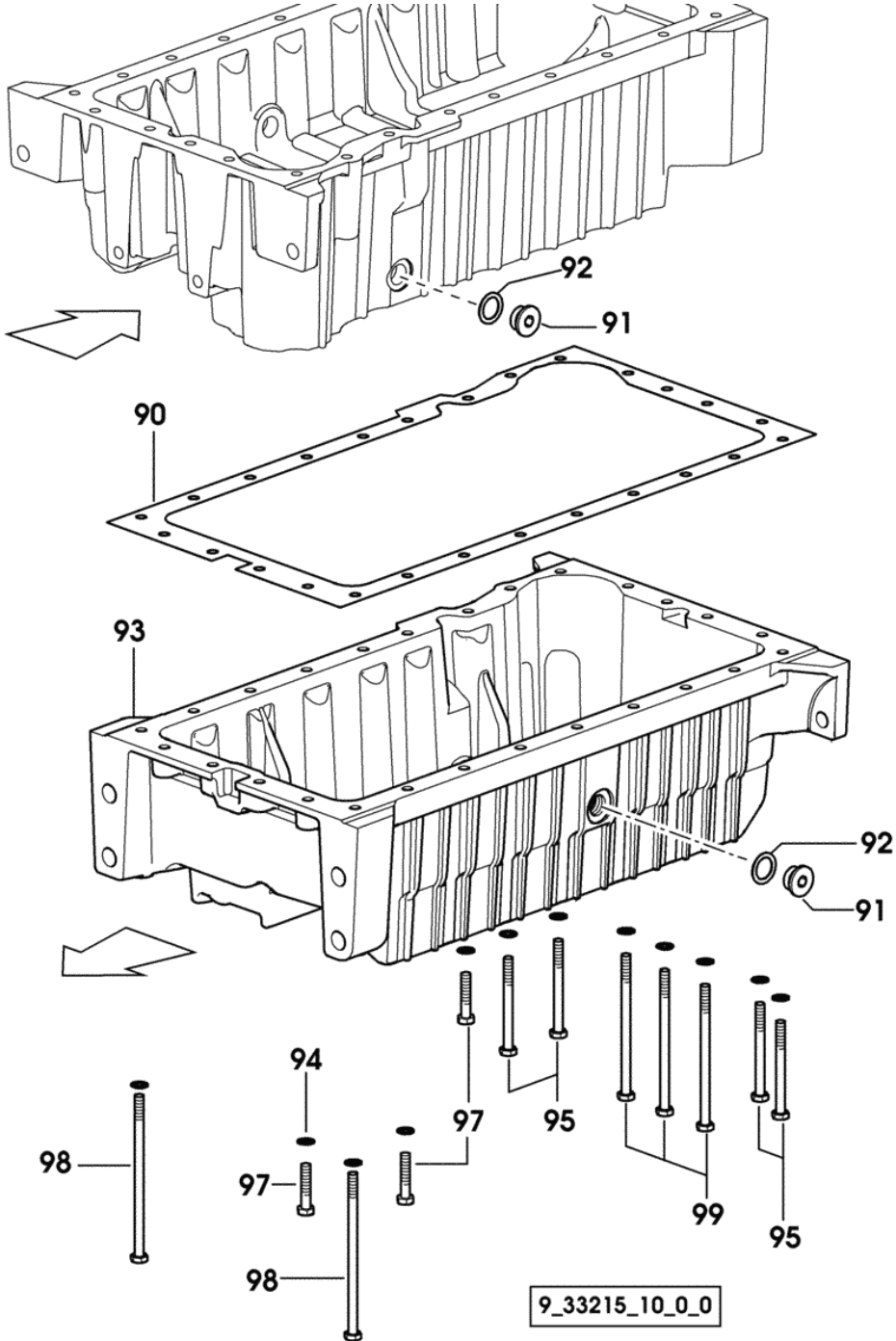
Ref.: 20

Section: ENGINE
CYLINDER HEAD

Fig.	Code	QTY	Name
1	2.0399.288.2/10	4	screw m 8x36x46
2	2.1539.151.0	4	'o' ring 9.19x2.62
3	0.007.1139.0/10	4	small cap
4	0.065.1450.0/30	1	gasket
7	2.1011.421.2	8	nut M10x1.25
9	0.000.0000.1	0	not serviceable
9.1	0.066.1431.0	1	pin
9.2	0.021.1434.0	2	screw
9.10	0.000.0000.1	0	not serviceable
9.10.3	2.1011.405.2	2	nut m 8 p.1
9.10.4	0.066.1432.3	2	rocker
9.10.4.2	2.1559.021.0/40	1	bushing 19x22x14
9.10.5	2.1410.055.7	2	circlip 19
9.10.6	0.000.0000.1	0	not serviceable
9.10.6.2	0.066.1430.0/10	1	support
9.10.7	2.1599.432.0	2	snoulder 19.5x31x1.5
16	2.1532.507.0	4	'o' ring
17	0.012.2673.0	16	screw m 14 p.2x141
18	0.000.0000.1	0	not serviceable
18.1	0.013.1478.3/50	1	engine head
18.1.2	0.078.1426.0	1	valve seat mm 45
18.1.3	0.066.1427.0	1	valve seat mm 40.653
18.1.4	0.007.1779.0/20	2	valve guide
18.1.5	0.012.9984.0/20	1	sleeve
18.1.6	2.3170.012.1	2	expansion plug 30
18.2	0.066.1421.0	1	exhaust valve
18.3	0.010.6016.0	1	inlet valve
18.4	0.066.1425.0	2	cup
18.5	0.074.1423.0	4	conical valve cotter
18.6	2.4019.287.0	2	spring 35.5x53.6x3.9
18.7	2.1519.117.0	2	cap
18.8	2.0432.161.7	1	stud bolt m 10 p.1.5-1.25x40
18.9	2.0432.163.7	2	stud bolt m 10 p.1.5-1.25x45
20	2.0432.011.7	4	stud bolt m 8 p.1.25-1x40
21	2.0432.005.7	4	stud bolt m 8 p.1.25-1x25
24	0.013.1887.0	0	gasket
25	0.013.1888.0	3	gasket
26	0.013.1889.0	0	gasket

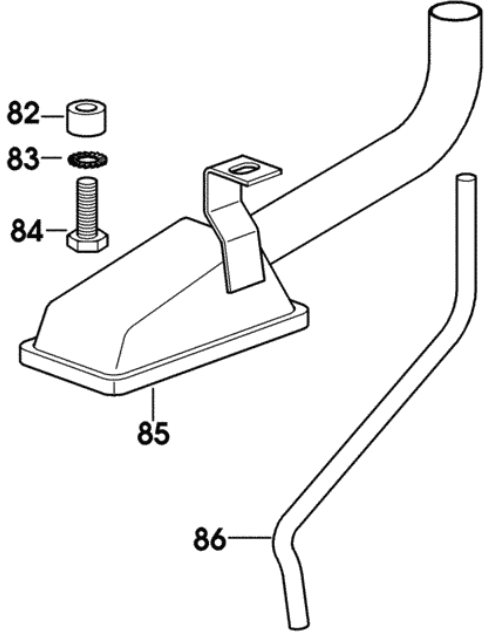
Section: ENGINE
OIL PAN

Fig.	Code	QTY	Name
90	0.065.1550.0/10	1	gasket
91	2.3199.001.2	2	plug 1/2 gas
92	2.1560.054.0	2	gasket 21x26
93	0.007.1277.0/40	1	oil pan
94	2.1470.004.2	26	lock washer 8
95	2.0112.226.2	4	screw m 8 p.1.25x85
97	2.0112.215.2	17	screw m 8 p.1.25x40
98	2.0112.239.2	2	screw m 8 p.1.25x150
99	2.0112.235.2	3	screw m 8 p.1.25x130



Section: ENGINE
LUBRICATING OIL INTAKE LINE

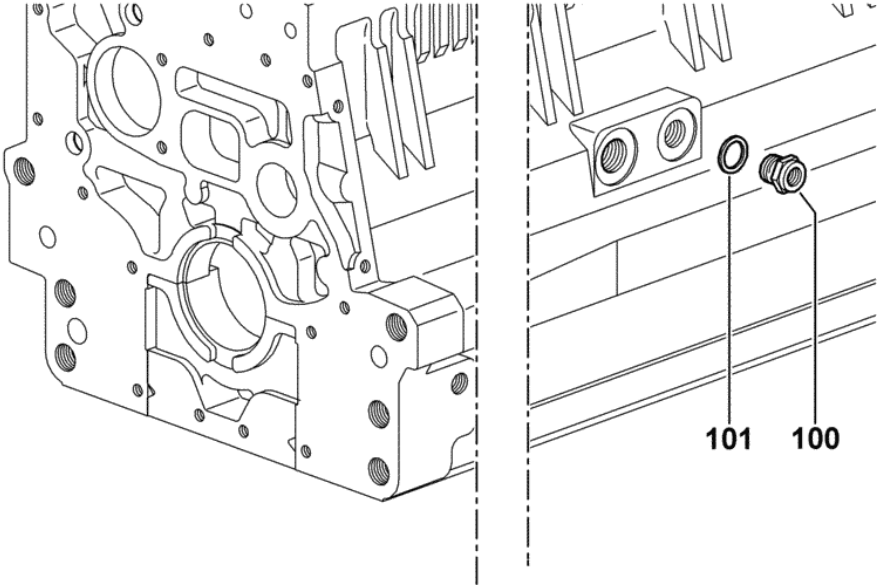
Fig.	Code	QTY	Name
82	2.1579.766.2	1	spacer 8.5x16x10
83	2.1470.004.2	1	lock washer 8
84	2.0112.209.2	1	screw m 8 p 1.25x25
85	0.065.1531.3/30	1	tube
86	0.066.1556.0	1	tube



9_33215_07_0_0

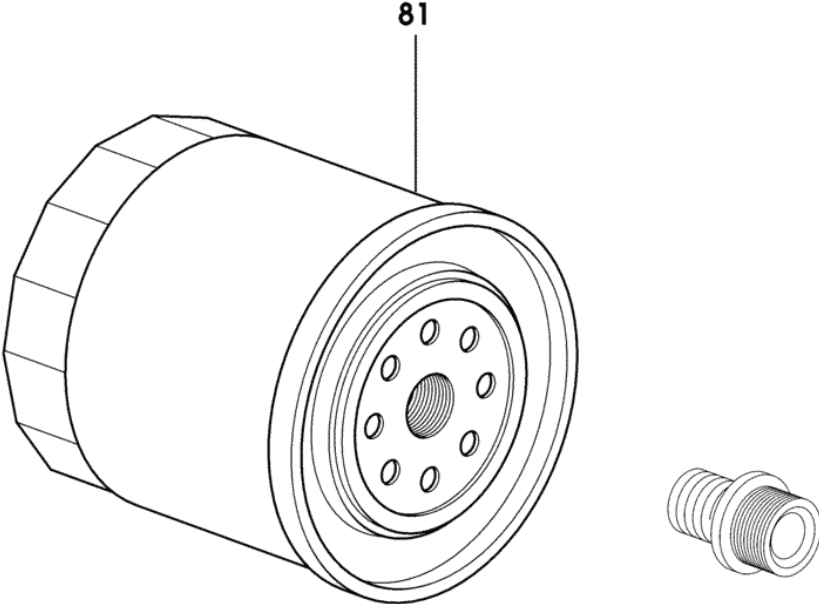
Section: ENGINE
FITTING FOR ENGINE OIL PRESSURE SWITCH

Fig.	Code	QTY	Name
100	2.3339.353.2/20	1	pipe fitting 12 p.1.5-18 p.1.5
101	2.1560.014.0	1	gasket 18.2x24x1.5



Section: ENGINE
LUBRIC. OIL FILTER

Fig.	Code	QTY	Name
81	0.044.1567.0	1	oil filter element



9_33015_04_0_0

Section: ENGINE
LUBRICATION

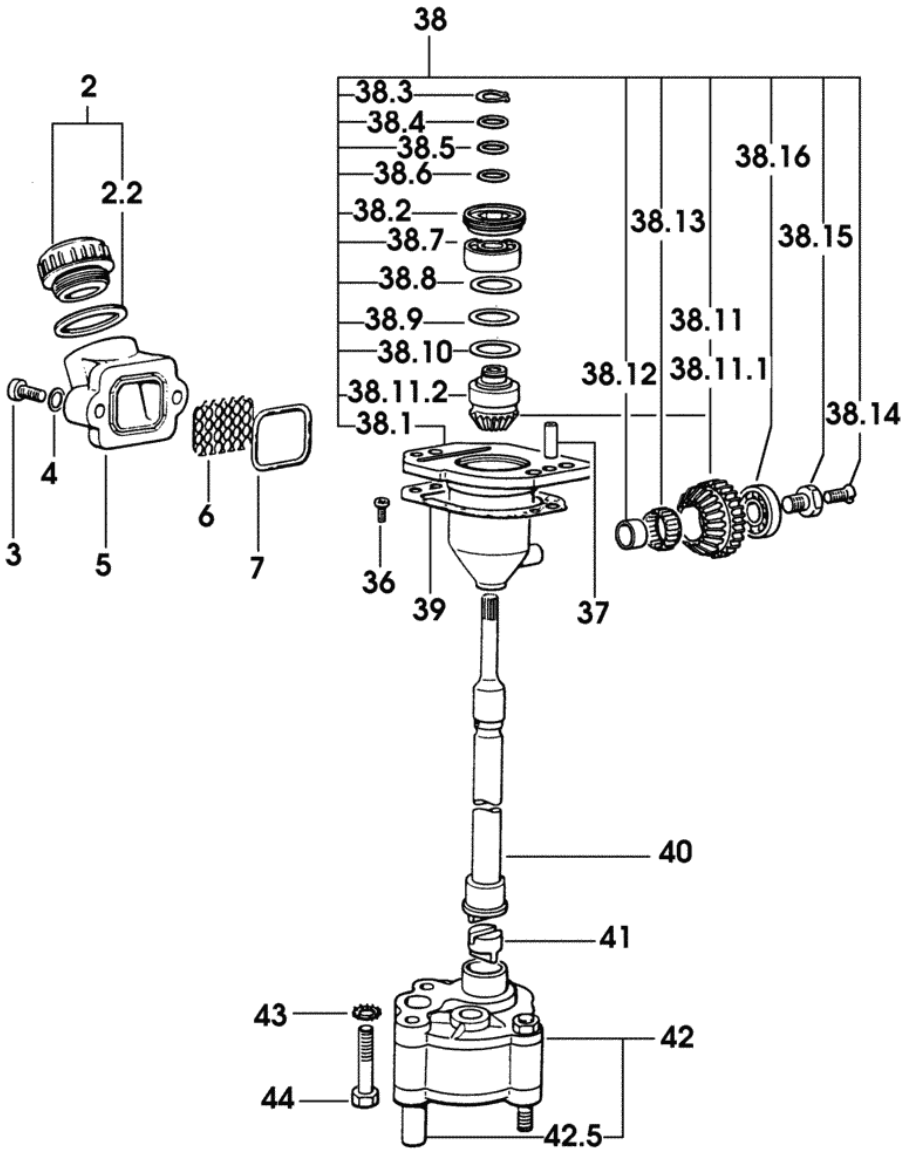


Fig.	Code	QTY	Name
2	0.041.1135.4	1	plug
2.2	2.1569.072.0	1	gasket 32x39.5x2
3	2.0312.205.2	2	screw m 8 p.1.25x18
4	2.1480.014.1	2	washer 8
5	0.013.0942.0/10	1	pipe union
6	0.013.1387.0	1	small mesh
7	2.1532.515.0	1	rubber ring
36	2.0169.005.2	2	screw m 6 p.1x12
37	2.1651.711.0	2	pin 8x14
38	0.013.1629.4	1	support
38.1	0.013.1629.3	1	support
38.2	2.1219.025.2/10	1	ring nut m 36 p.1.5
38.3	2.1410.057.1	1	circlip 15
38.4	2.1589.153.0	1	shim 15.2x19x1
38.5	2.1589.146.0	2	shim 15.2x19x0.15
38.6	2.1589.147.0	2	shim 15.2x19x0.1
38.7	2.2020.001.0	1	ball bearing 15x32x8
38.8	2.1589.148.0	1	shim 28.2x31.8x0.5
38.9	2.1589.150.0	2	shim 28.2x31.8x0.1
38.10	2.1589.151.0	2	shim 28.2x31.8x0.15
38.11	0.000.0000.1	0	not serviceable
38.11.1	0.065.1558.6/10	1	bevel gear
38.11.2	0.065.1559.0	1	sleeve
38.12	2.2680.020.0	1	snoulder 12x15x12
38.13	2.2725.016.0	1	roller cage 15x21x12
38.14	2.0342.007.6	1	screw m 4x25
38.15	2.0399.128.2/10	1	screw m 8 p.1
38.16	2.2030.002.0	1	ball bearing 12x28x8
39	0.065.1560.0/20	2	gasket
40	0.065.1569.0/40	1	shaft
41	0.065.1562.0/10	1	joint
42	0.010.5441.4/10	1	oil pump
42.5	0.065.1552.3/60	1	valve
43	2.1470.006.2	2	lock washer 10
44	2.0112.325.2	2	screw m 10 p.1.5x80

Section: ENGINE
LUBRICATION

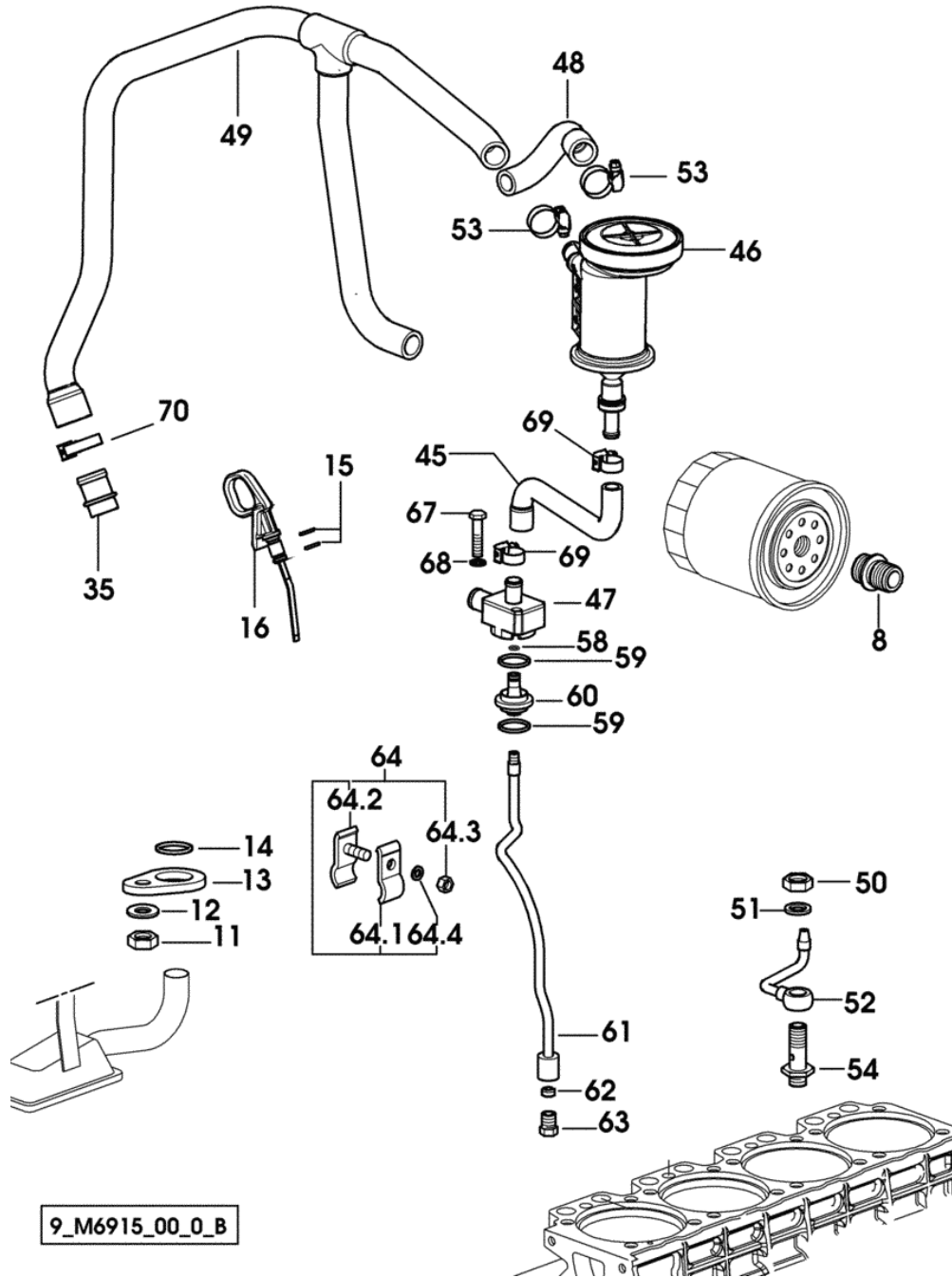


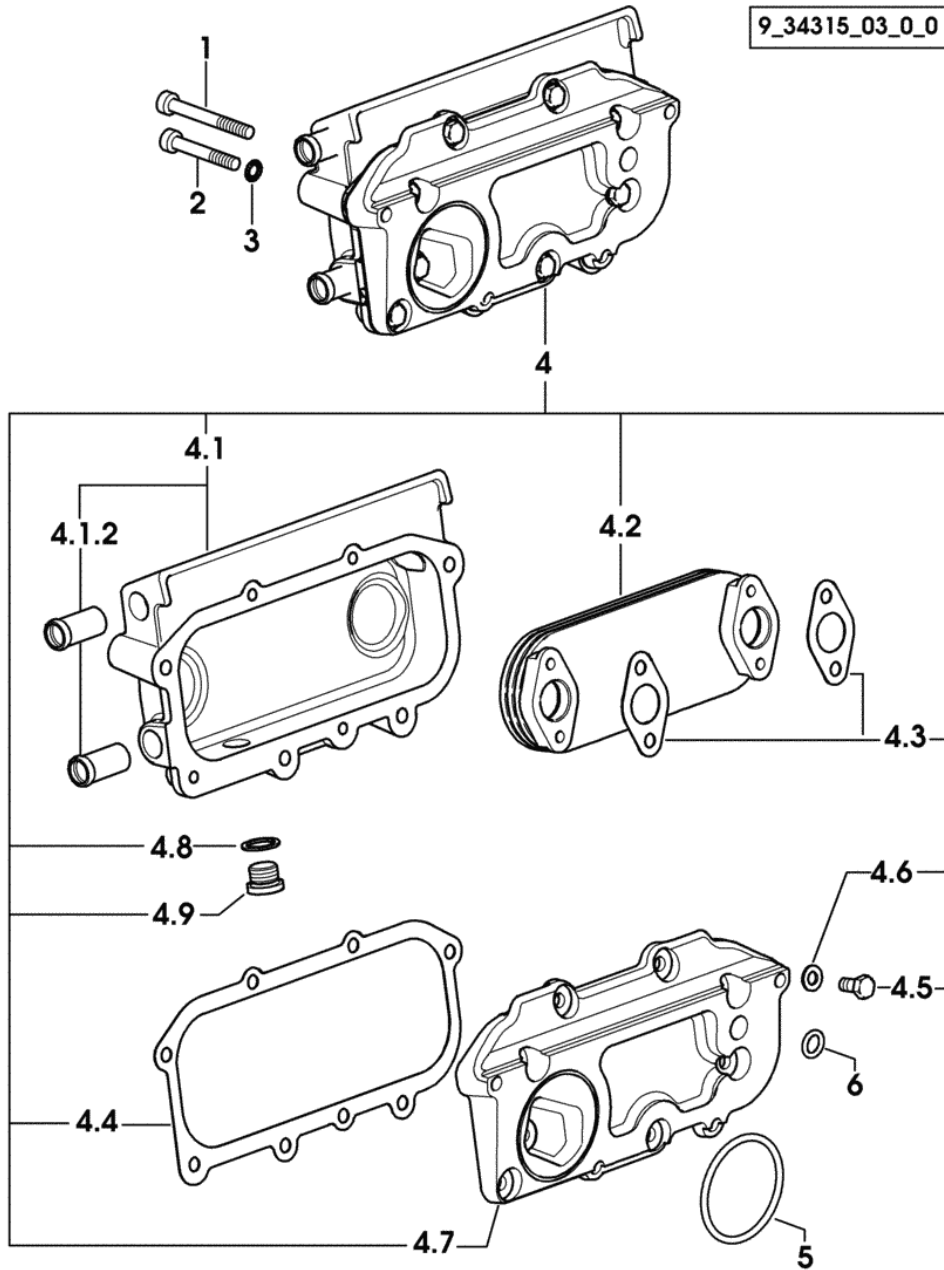
Fig.	Code	QTY	Name
8	2.3339.307.0	1	pipe fitting m 22 p.1.5-3/4"
11	2.1011.105.2	1	nut m 8 p.1.25
12	2.1470.004.2	1	lock washer 8
13	0.065.1538.0	1	flange
14	2.1539.040.0	1	'o' ring 21.82x3.53
15	2.1539.065.0	2	'o' ring 8.73x1.78
16	0.086.1513.2/30	1	dipstick
35	0.011.5918.0/10	1	tube
45	0.014.2780.0	1	tube
46	0.013.5023.0	1	sediment bowl
47	0.013.5525.2/10	1	flange
48	0.014.2779.0	1	tube
49	0.013.5600.0/10	1	tube
50	2.1099.108.2	4	special nut m 10 p.1
51	2.1560.006.0	8	gasket 10.5
52	0.086.1550.2	4	cooling nozzle
53	2.6851.002.0	3	clamp 20-32
54	0.065.1160.3/20	4	valve
58	2.1532.012.0	1	'o' ring 6.75x1.78
59	2.1539.072.0	2	'o' ring 23.52x1.78
60	0.066.1558.0	1	sleeve
61	0.066.1557.2	1	tube
62	2.3350.003.1	1	nosepiece 8
63	2.3339.418.1	1	pipe fitting m 12 p.1
64	0.000.0000.1	0	not serviceable
64.1	0.075.1552.0	1	bracket
64.2	0.075.1552.2	1	bracket
64.3	2.1011.103.2	1	nut m 6 p.1
64.4	2.1470.002.2	1	lock washer 6
67	2.0112.215.2	2	screw m 8 p.1.25x40
68	2.1474.009.2	2	spring washer 8
69	2.6851.001.0	3	clamp 16-25
70	2.6851.003.0	1	clamp 25-40

9_M6915_00_0_B

Section: ENGINE
LUBRIC. OIL COOLER

9_34315_03_0_0

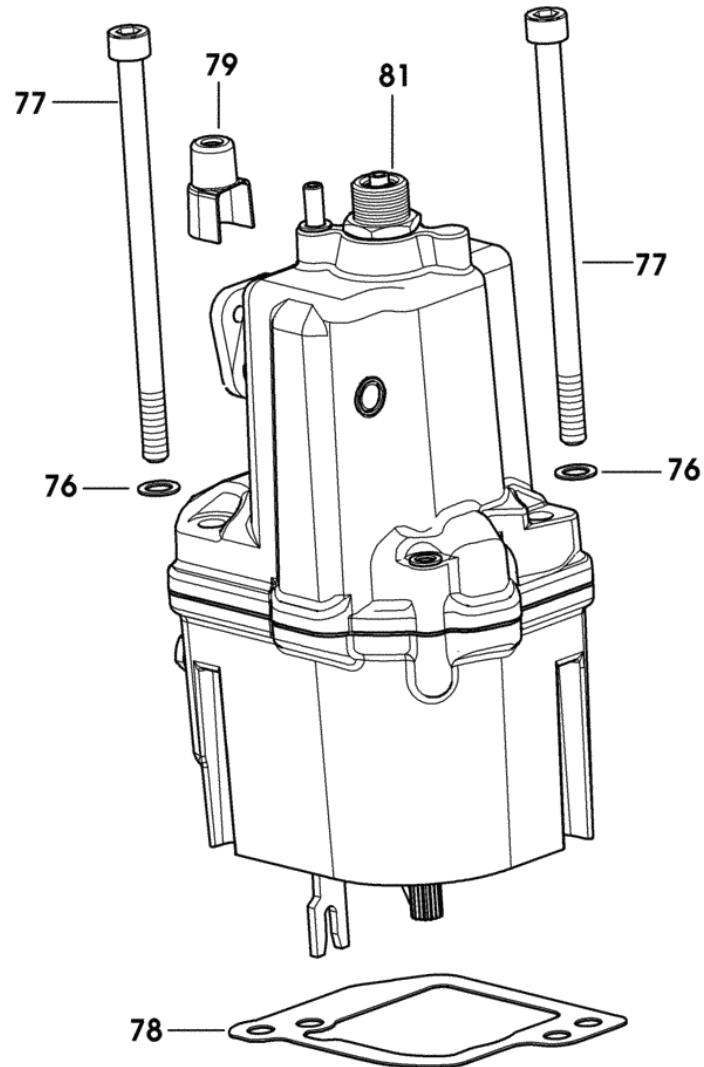
Fig.	Code	QTY	Name
1	2.0312.220.2	2	screw m 8 p.1.25x70
2	2.0312.217.2	2	screw m 8 p.1.25x55
3	2.1480.014.1	4	washer 8
4	0.000.0000.1	0	not serviceable
4.1	0.078.1554.3	1	box
4.1.2	0.066.1750.0	1	tube
4.2	0.078.1540.3	1	radiator
4.3	0.078.1557.0/10	2	gasket
4.4	0.078.1556.0/10	1	gasket
4.5	2.0112.205.2	8	screw m 8 p.1.25x16
4.6	2.1310.004.2	8	flat washer 8.4x16
4.7	0.078.1555.0/10	1	plate
4.8	2.1560.014.0	1	gasket 18.2x24x1.5
4.9	2.3120.101.0	1	plug m 18 p.1.5
5	2.1539.050.0	1	'o' ring 69.57x1.78
6	2.1539.048.0	1	'o' ring 20.35x1.78



Section: ENGINE

MECHANICAL ENGINE GOVERNOR

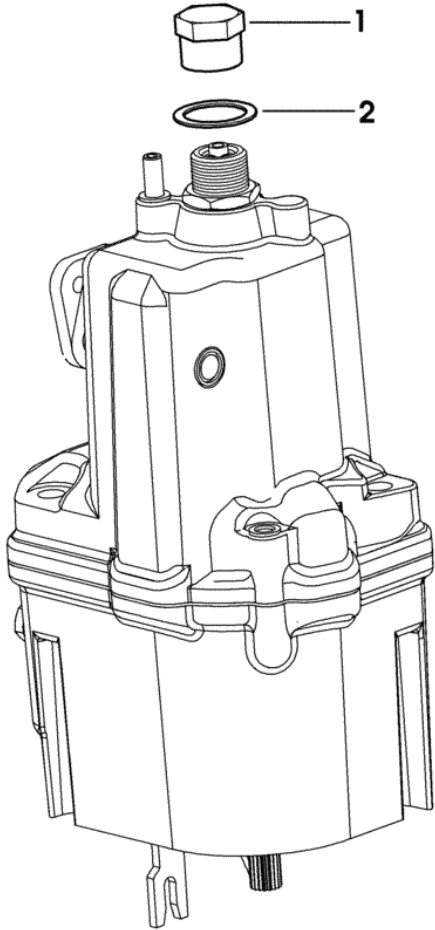
Fig.	Code	QTY	Name
76	2.1480.014.1	2	washer 8
77	2.0399.103.2	2	screw
78	0.009.3880.0/20	1	gasket
79	0.070.1655.0	1	cap
81	0.013.5695.4/20	1	regulator
			☞ 577
			☞ 578
			☞ 579
			=> 577
			=> 578
			=> 579



Section: ENGINE

PLUG FOR MECHANICAL REGULATOR

Fig.	Code	QTY	Name
1	2.3119.025.2	1	plug m 18 p.1.5
2	2.1560.016.0	1	gasket 20.2x26



9_33016_09_0_0

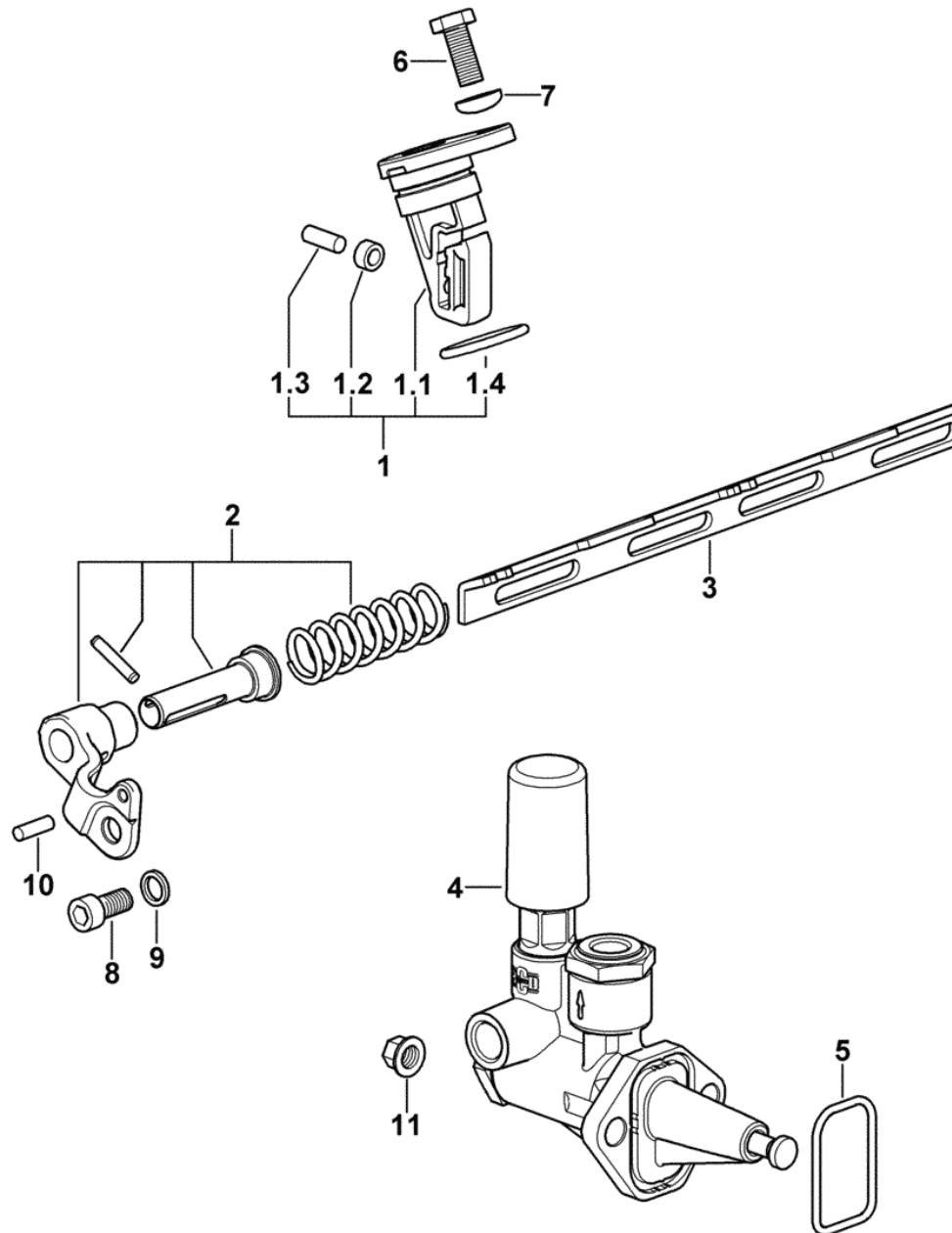
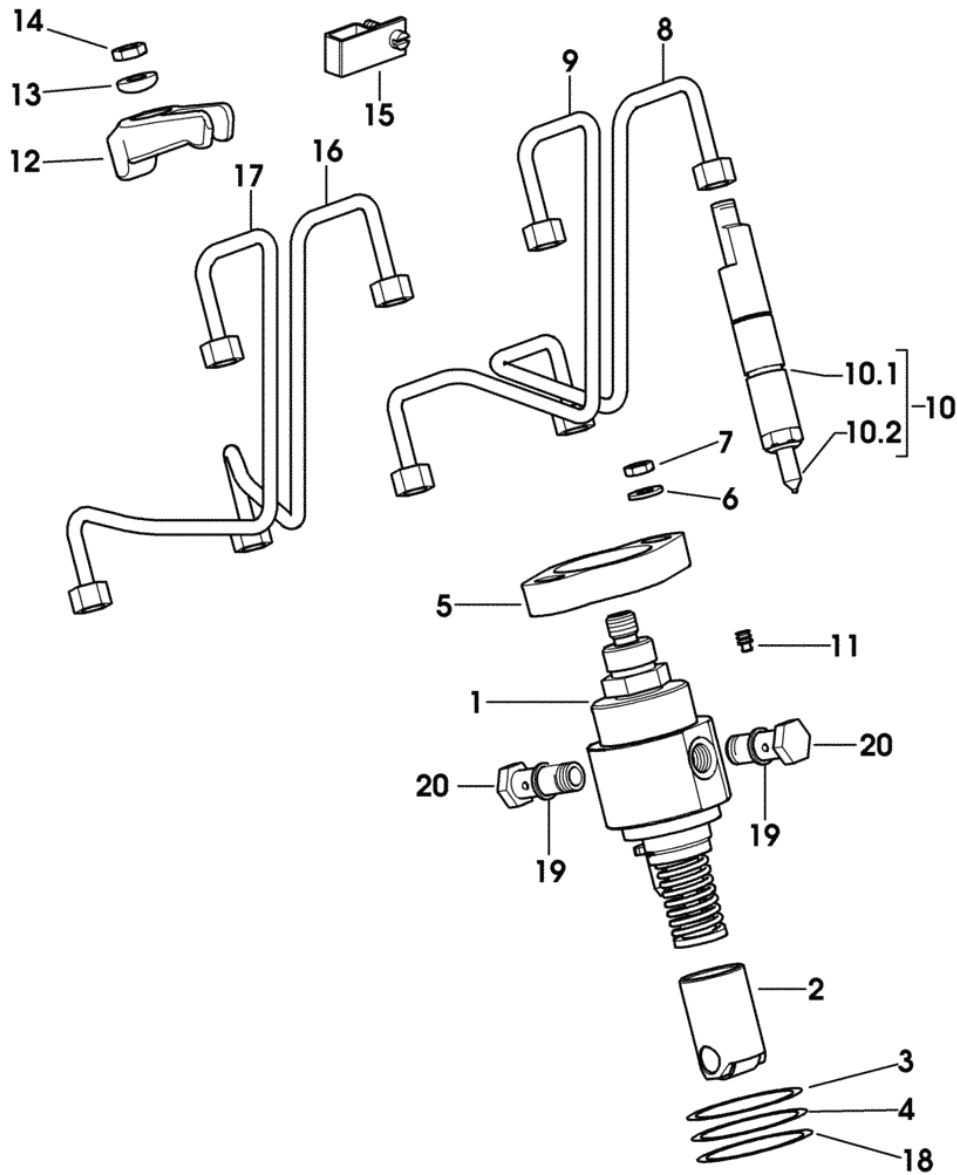
Section: ENGINE
FUEL FEED PUMP

Fig.	Code	QTY	Name
1	0.000.0000.1	0	not serviceable
1.1	0.012.5618.0/20	1	support
1.2	0.065.1660.0	1	roller
1.3	2.1651.507.0	1	pin
1.4	2.1530.072.0	1	'o' ring 26.70x1.78
2	0.013.4057.4	1	bracket
3	0.013.0944.3/20	1	rod
4	2.4519.330.0/50	1	feed pump ↳ 583 => 583
5	2.1539.045.0	1	'o' ring 37.77x2.62
6	2.0112.207.2	2	screw m 8 p 1.25x20
7	2.1310.004.2	2	flat washer 8.4x16
8	2.0312.204.2	1	screw m 8 p.1.25x16
9	2.1475.202.2	1	washer 8.4x16
10	2.1631.305.0	1	roll pin 4x12
11	2.1099.159.2/10	2	nut

Section: ENGINE

INJECTION PUMP - INJECTOR

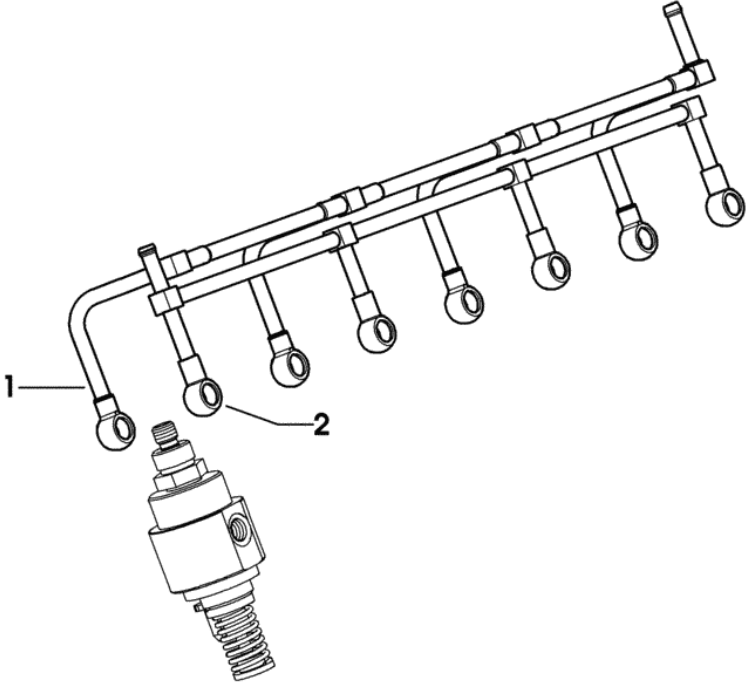
Fig.	Code	QTY	Name
1	2.4619.270.0/10	4	injector pump
2	2.4619.230.0	4	tappets
3	2.1589.303.0	12	shim mm 0.20
4	2.1589.304.0	8	shim mm 0.30
5	0.012.9348.0/20	4	bracket
6	2.1599.458.0/10	8	snoulder 8.4x18x2
7	2.1011.405.2	8	nut m 8 p.1
8	0.013.0021.3	1	tube
9	0.013.0363.3	1	tube
10	2.4719.630.0	4	injector
10.1	2.4719.590.0/10	1	nozzle holder
10.2	2.4729.620.0	1	nozzle
11	2.3199.270.0	4	plug 5.9x7.8
12	0.012.5977.0/20	4	bracket
13	2.1599.454.0	4	snoulder 10.5x17x7.5
14	2.1011.421.2	4	nut M10x1.25
15	0.013.1014.3	2	terminal
16	0.013.3198.3	1	tube
17	0.013.3199.3	1	tube
18	2.1589.504.0/10	8	shim mm 0.05
19	2.1569.213.0	16	washer
20	2.3249.093.2	0	pipe fitting



Section: ENGINE

FUEL PIPES

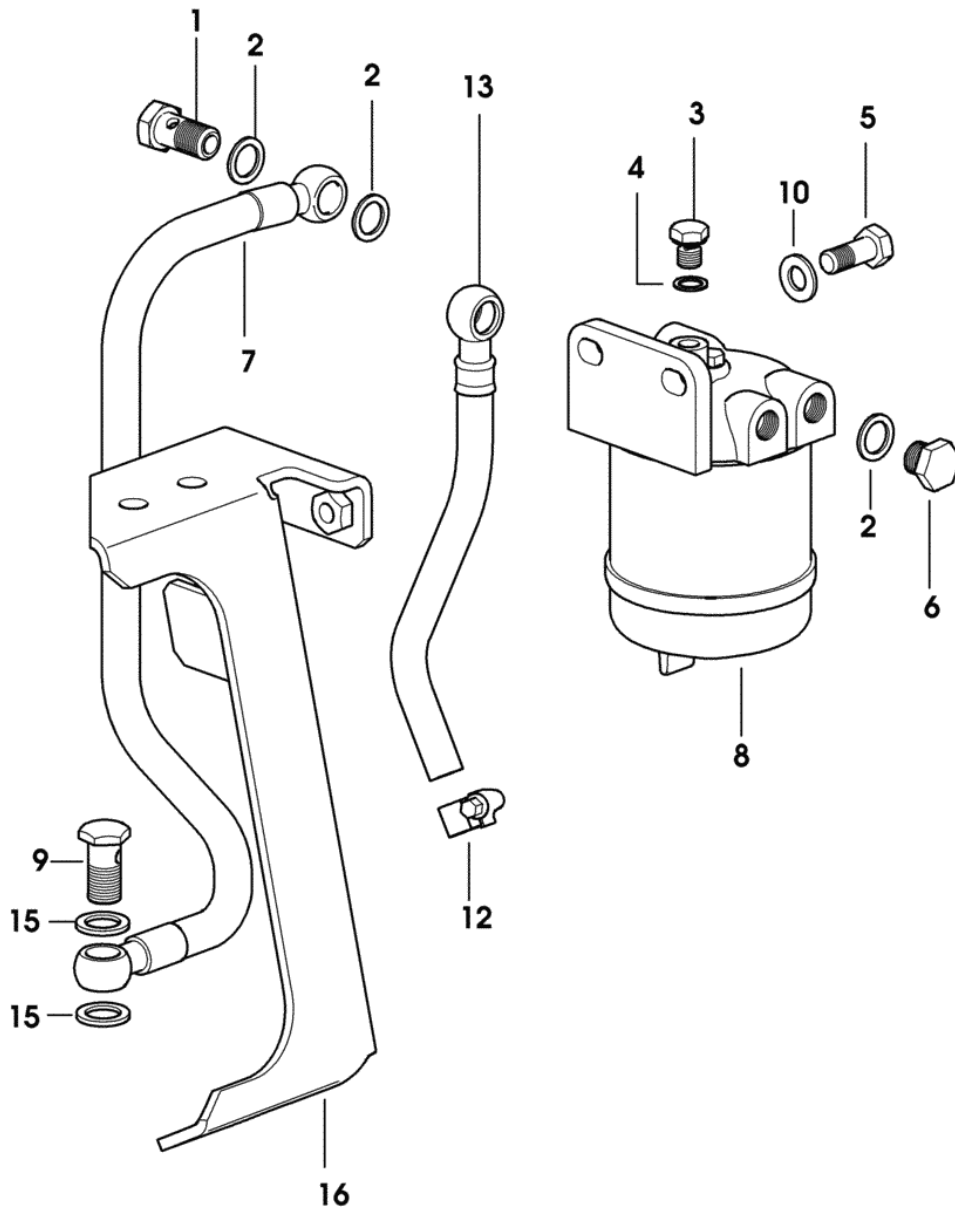
Fig.	Code	QTY	Name
1	0.013.6793.3/20	1	tube
2	0.013.1492.3	1	tube



Section: ENGINE

FUEL FILTER

Fig.	Code	QTY	Name
1	2.3332.004.1	1	pipe union m 14 p.1.5x27
2	2.1560.010.0	5	gasket 14.2x20
3	2.3119.005.2	1	plug m 10 p.1.5
4	2.1560.005.0	1	gasket 10.2x14
5	2.0112.313.2	2	screw m 10 p.1.5x35
6	2.3110.403.1	2	plug m 14 p.1.5
7	0.010.9530.3	1	tube
8	2.4319.060.0/20	1	fuel filter ☞ 584 => 584
9	2.3339.357.2/10	1	pipe union m 14 p.1.5x28
10	2.1310.006.2	2	flat washer 10.5x20
12	2.6851.001.0	1	clamp 16-25
13	0.008.1528.3	1	tube mm 300
15	2.1561.007.0	2	gasket 14,8x22.2
16	0.013.5123.3	1	bracket



Section: ENGINE
THERMO STARTER

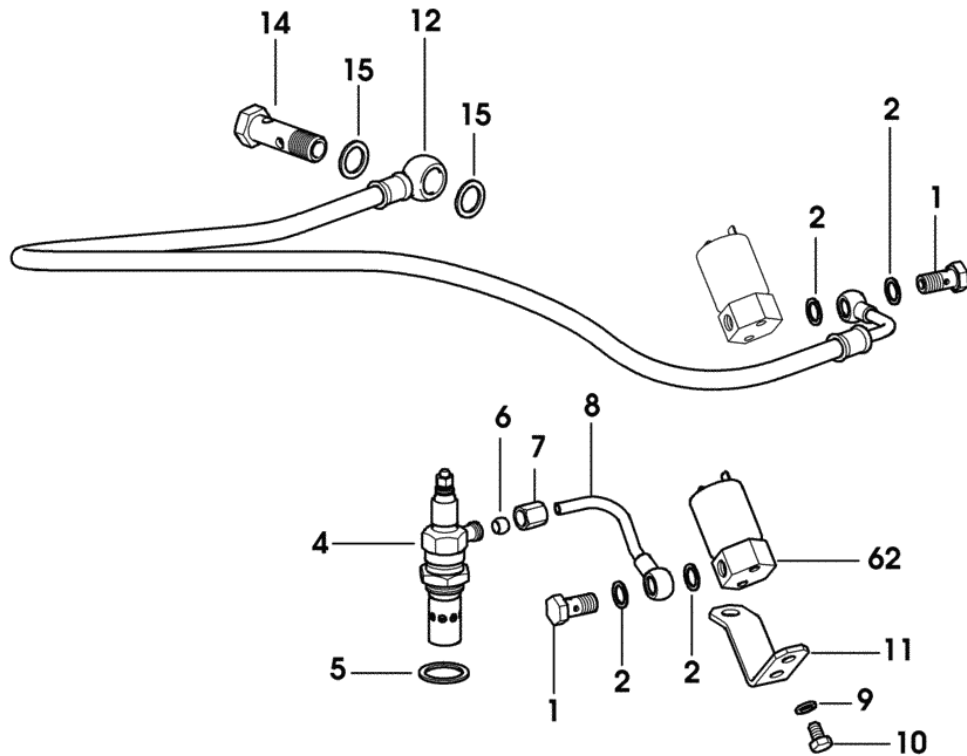
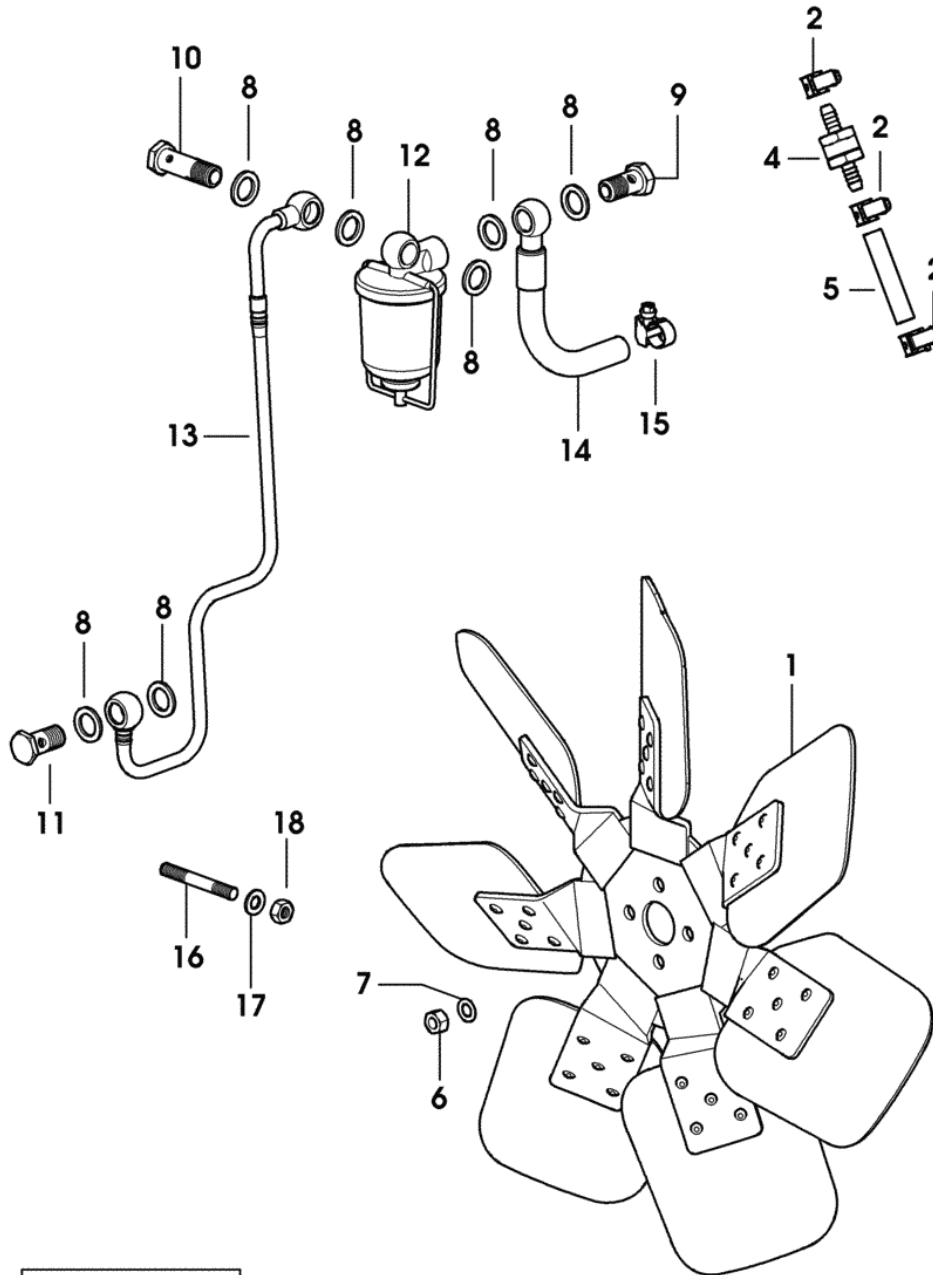


Fig.	Code	QTY	Name
1	2.3339.074.1	2	pipe union m 10 p.1x19
2	2.1560.005.0	4	gasket 10.2x14
4	2.7659.103.0/10	1	thermo-start
5	2.1560.016.0	1	gasket 20.2x26
6	2.3350.002.1	1	nosepiece 6
7	2.3360.002.2	1	nut m 10
8	0.069.1665.2	1	tube
9	2.1470.002.2	2	lock washer 6
10	2.0112.002.2	2	screw m 6 p.1x10
11	0.066.1685.0	1	square
12	0.014.2985.3	1	tube
14	2.3339.040.2	1	pipe union m 14 p.1.5x45
15	2.1560.010.0	2	gasket 14.2x20
62	2.9219.130.0	1	electro valve 12V

Section: ENGINE
WATER COOLING

Fig.	Code	QTY	Name
1	0.013.2754.0	1	rotor blade
2	2.6851.019.0	3	clamp 13-20
4	0.013.8464.4	1	valve
5	0.011.5937.0	0	tube
6	2.1011.305.2	4	nut m 8 p.1
7	2.1470.004.2	4	lock washer 8
8	2.1561.007.0	7	gasket 14,8x22.2
9	2.3332.004.1	1	pipe union m 14 p.1.5x27
10	2.3249.095.2	1	pipe union m 14 p.1.5x45
11	2.3339.357.2/10	1	pipe union m 14 p.1.5x28
12	2.4319.220.0	1	precleaner ↳ 585 => 585
13	0.013.6569.3	1	tube
14	0.007.6792.3	1	tube
15	2.6851.019.0	1	clamp 13-20
16	2.0439.205.0/10	2	stud bolt m 18
17	2.1310.004.2	2	flat washer 8.4x16
18	2.1011.405.2	2	nut m 8 p.1



9_M6919_10_0_0

Section: ENGINE
COOLING WATER PUMP

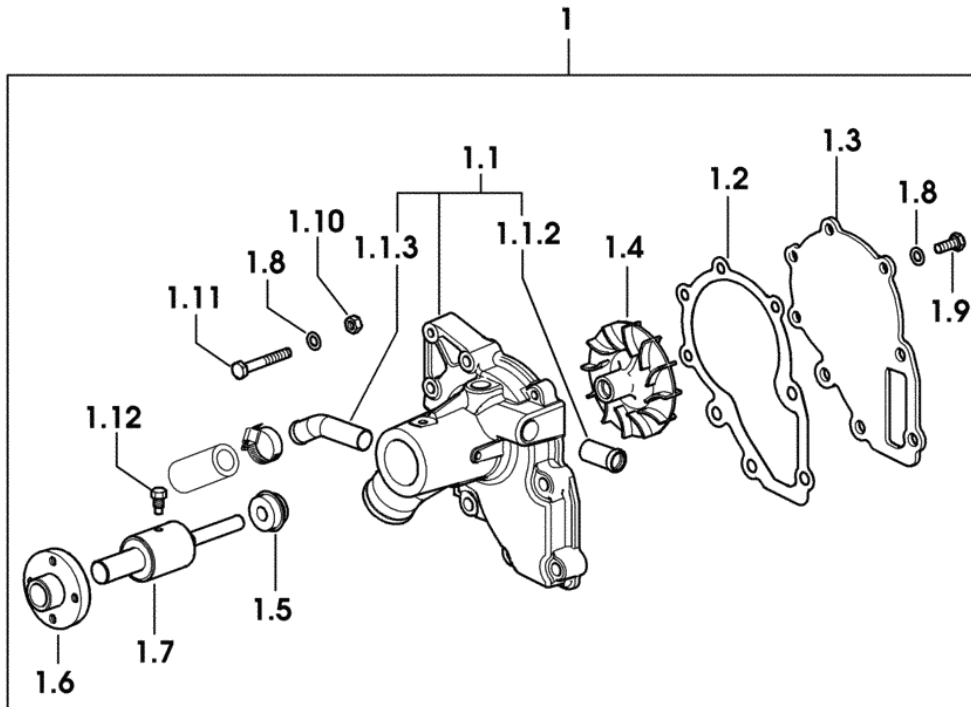
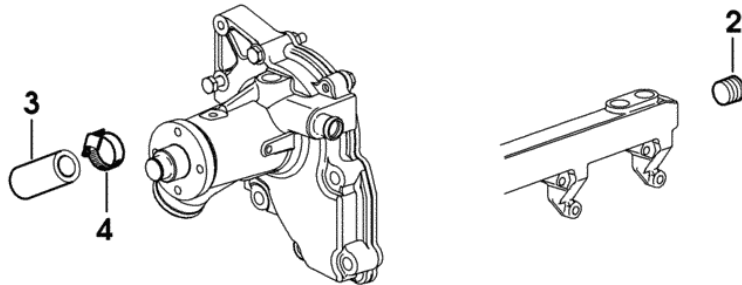


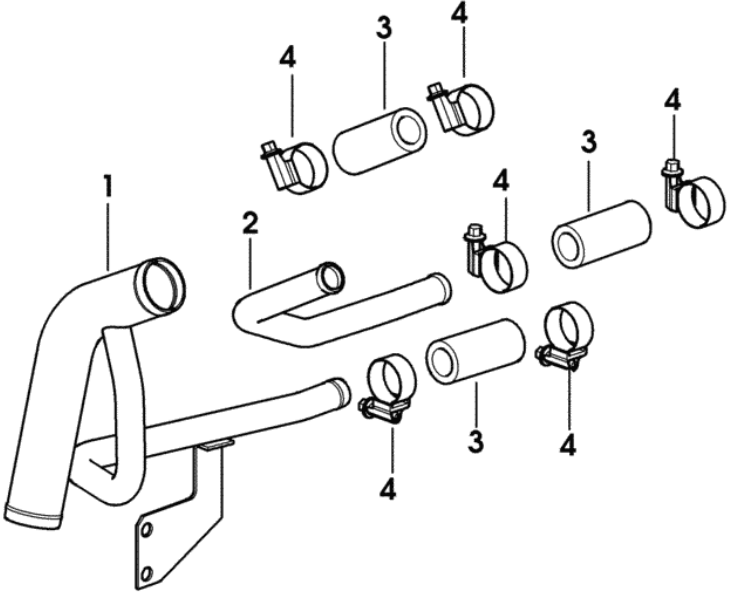
Fig.	Code	QTY	Name
1	0.010.4616.4/20	1	water pump
1.1	0.000.0000.1	0	not serviceable
1.1.2	0.066.1750.0	1	tube
1.1.3	0.082.1751.0	1	tube mm 18
1.2	0.066.1752.0/30	1	gasket
1.3	0.066.1744.0/10	1	plate
1.4	0.000.0000.1	0	not serviceable
1.5	2.1569.200.0	1	'o' ring
1.6	0.010.1139.0/20	1	flange
1.7	0.000.0000.1	0	not serviceable
1.8	2.1470.004.2	4	lock washer 8
1.9	2.0112.207.2	2	screw m 8 p 1.25x20
1.10	2.1011.105.2	2	nut m 8 p.1.25
1.11	2.0112.220.2	2	screw m 8 p.1.25x55
1.12	2.0119.214.2	1	screw
2	2.3130.004.1	1	plug 1/2 gas
3	0.010.4297.0/10	1	cap
4	2.6851.002.0	1	clamp 20-32



9_33117_03_0_0

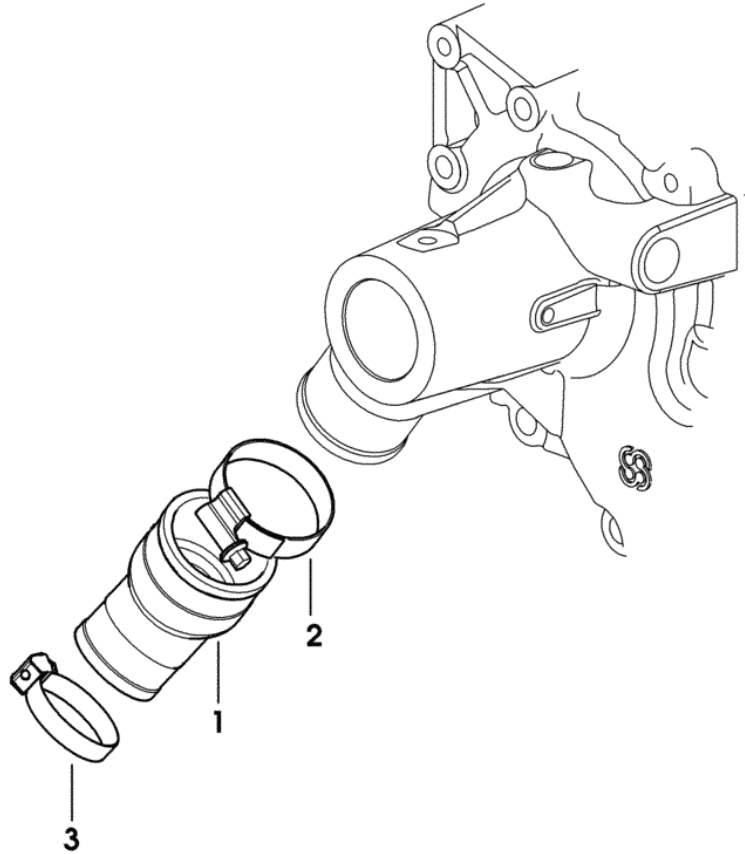
Section: ENGINE
WATER COOLING

Fig.	Code	QTY	Name
1	0.013.4806.2/30	1	tube
2	0.082.1752.0	1	tube
3	0.007.0678.0/10	3	sleeve 18x28x60
4	2.6851.002.0	6	clamp 20-32



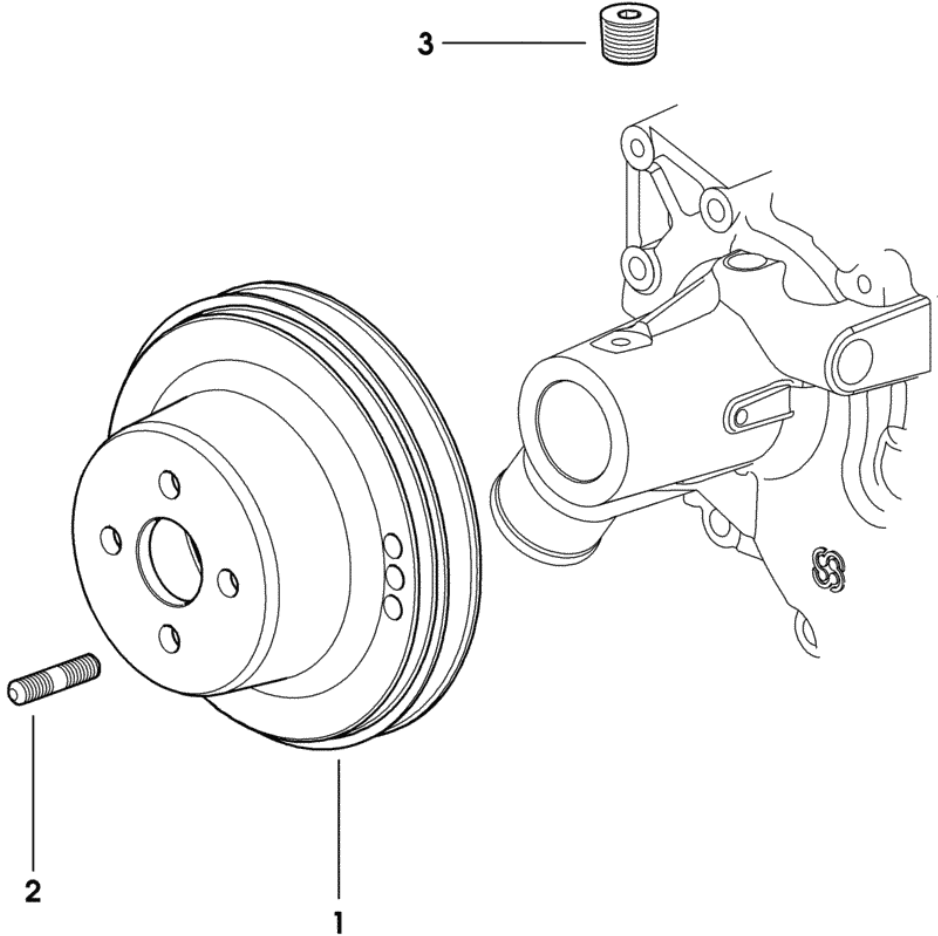
Section: ENGINE
WATER COOLING

Fig.	Code	QTY	Name
1	0.013.4809.0	1	sleeve 1085 <- X EXPLORER 75 T 1014 <- X EXPLORER 75 TB 1059 <- X EXPLORER 85 T 1010 <- X EXPLORER 85 TB 1099 <- X EXPLORER 95 T 1086 <- X EXPLORER 95 TB
1	0.013.4809.0/10	1	sleeve -> 1086 X EXPLORER 75T -> 1015 X EXPLORER 75TB -> 1060 X EXPLORER 85T -> 1011 X EXPLORER 85TB -> 1100 X EXPLORER 95T -> 1087 X EXPLORER 95TB
2	2.6851.005.0	1	clamp 40-60
3	2.6851.004.0	1	clamp 32-50



Section: ENGINE
COOLANT PUMP PULLEY

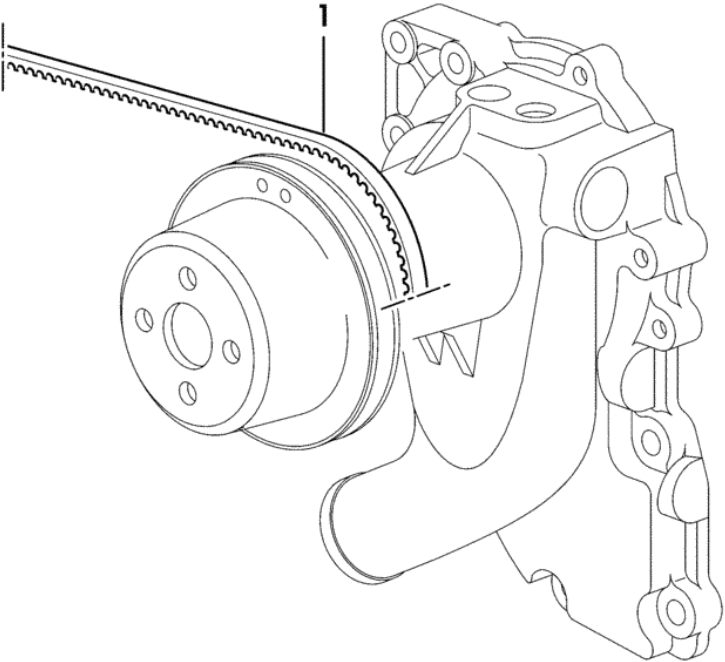
Fig.	Code	QTY	Name
1	0.014.1962.0	1	pulley
2	2.0432.005.7	4	stud bolt m 8 p.1.25-1x25
3	2.3130.003.1	1	plug 3/8 gas



9_M6917_01_0_0

Section: ENGINE
COOLANT PUMP DRIVEBELT

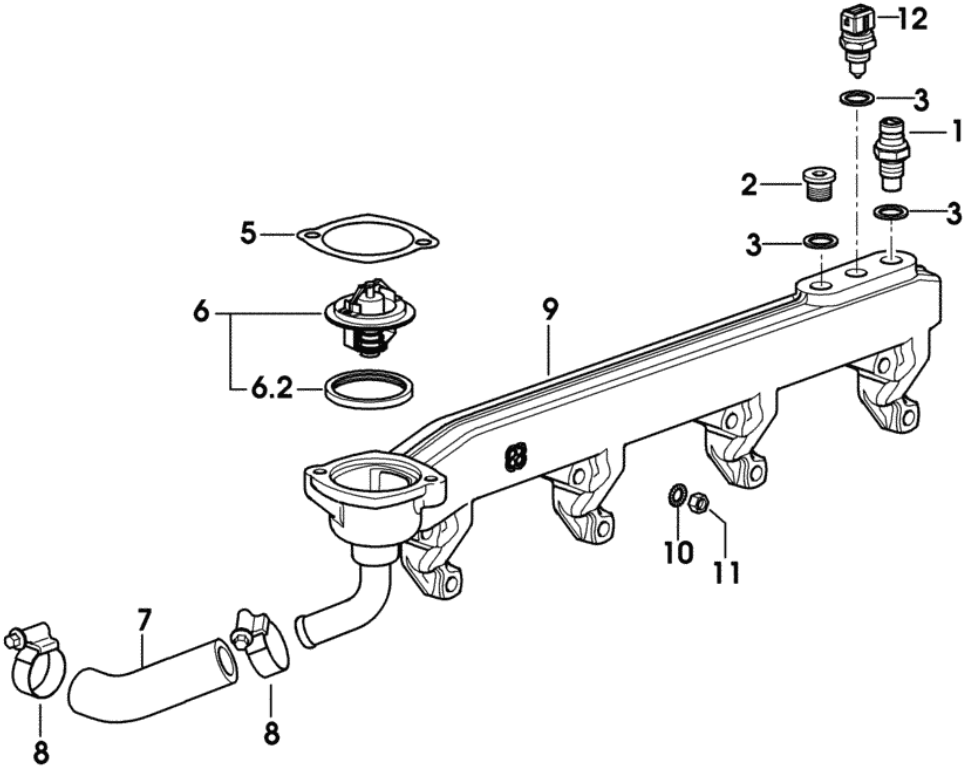
Fig.	Code	QTY	Name
1	2.4119.181.0	1	belt 10X1265



9_38917_09_0_0

Section: ENGINE
COOLING SYSTEM MANIFOLD

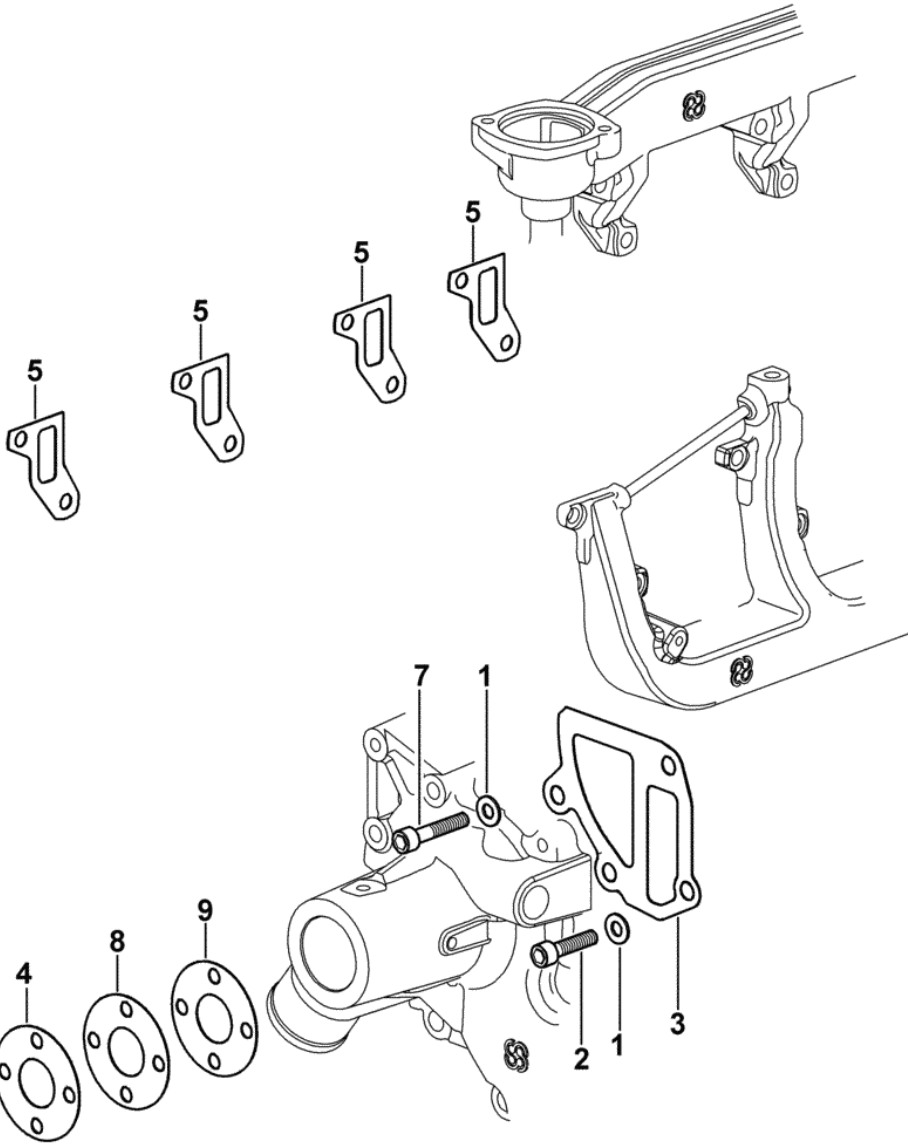
Fig.	Code	QTY	Name
1	2.7099.640.0/10	1	tempe guage
2	2.3120.109.0	1	plug
3	2.1560.010.0	3	gasket 14.2x20
5	0.066.1757.0/30	1	gasket
6	0.007.1258.3/20	1	thermostat
6.2	0.007.1258.0	1	gasket
7	0.066.1758.0/10	1	sleeve
8	2.6851.003.0	2	clamp 25-40
9	0.013.4504.3/10	1	manifold
10	2.1470.004.2	8	lock washer 8
11	2.1011.305.2	8	nut m 8 p.1
12	2.7099.800.0	1	tempe guage



9_M5417_00_0_0

Section: ENGINE
WATER COOLING -SEALING

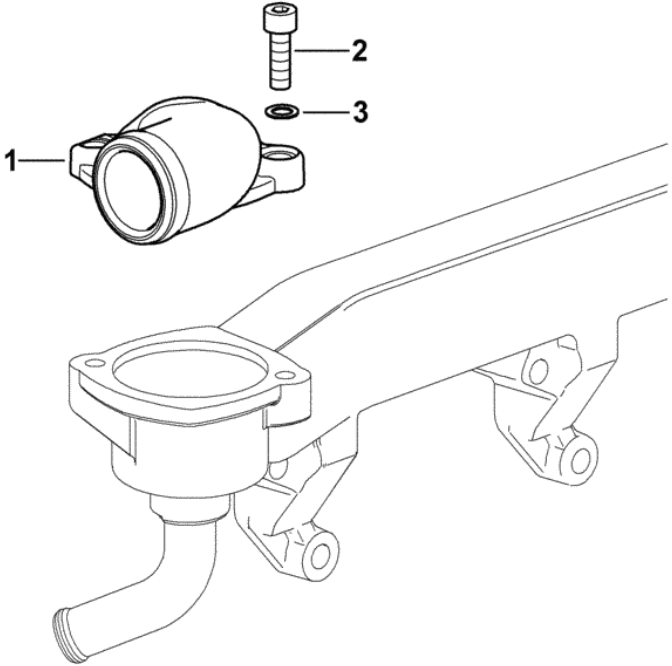
Fig.	Code	QTY	Name
1	2.1480.015.1	4	washer 10
2	2.0313.312.7	3	screw m 10x35
3	0.066.1753.0/20	1	gasket
4	2.1589.130.0	1	shim 29x68x0.5
5	0.066.1759.0/30	4	gasket
7	2.0313.315.7	1	screw m 10x45
8	2.1589.131.0	1	shim 29x68x1
9	2.1589.131.0	2	shim 29x68x1



9_N1517_00_0_0

WATER MANIFOLD COVER

Fig.	Code	QTY	Name
1	0.066.1767.0/20	1	cover
2	2.0312.208.2	2	screw m 8 p.1.25x25
3	2.1480.014.1	2	washer 8



Section: ENGINE
INTAKE AND EXHAUST

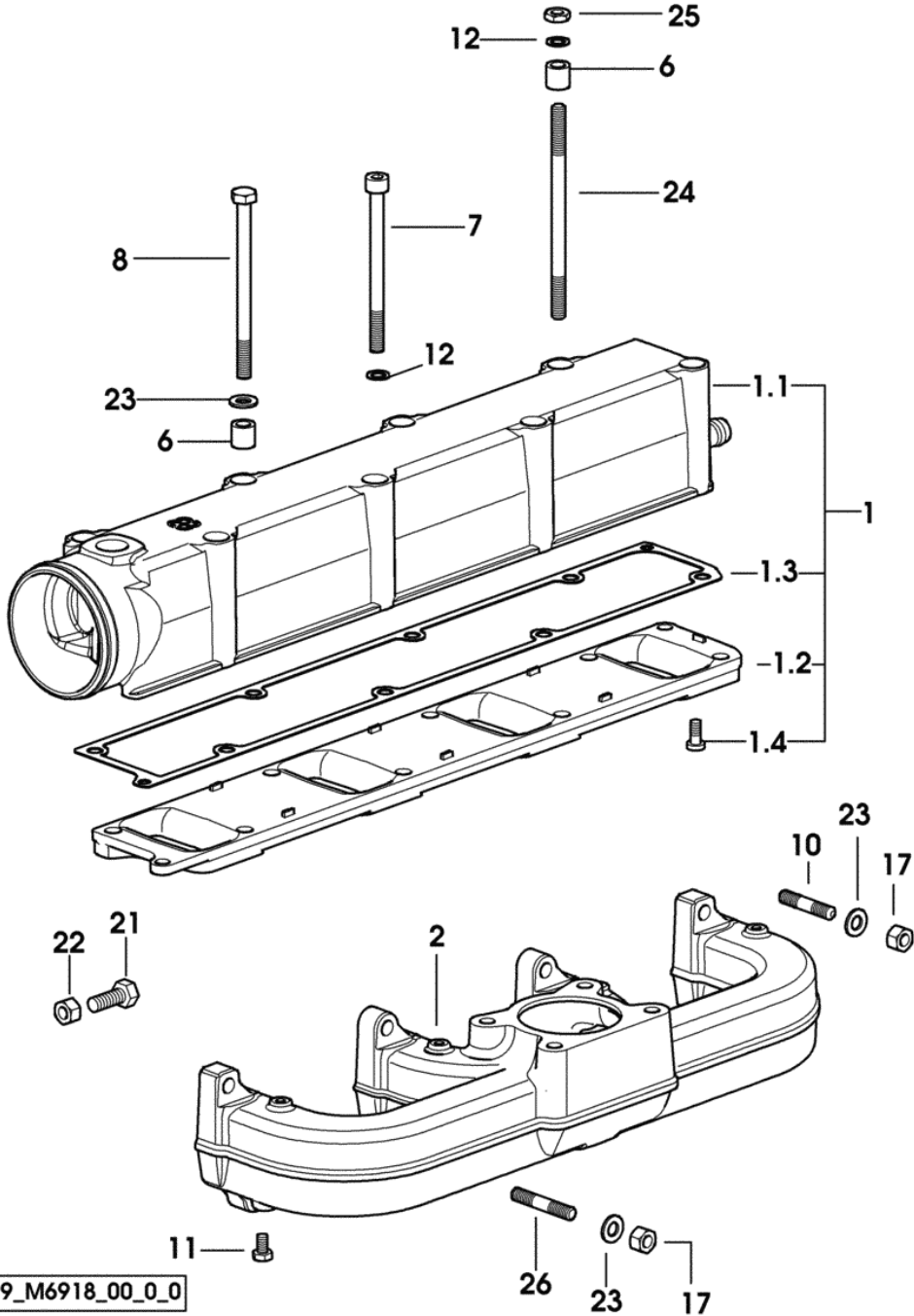


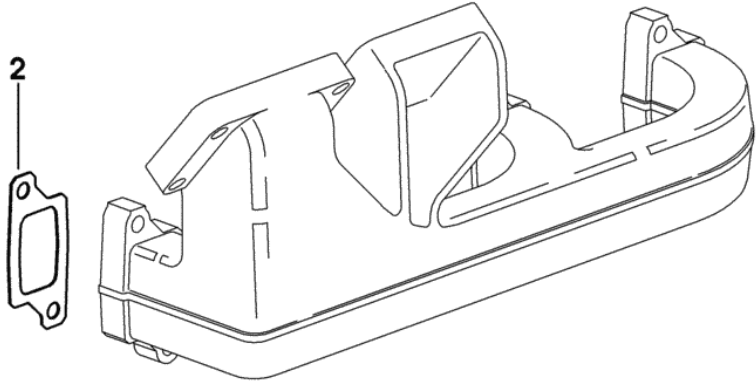
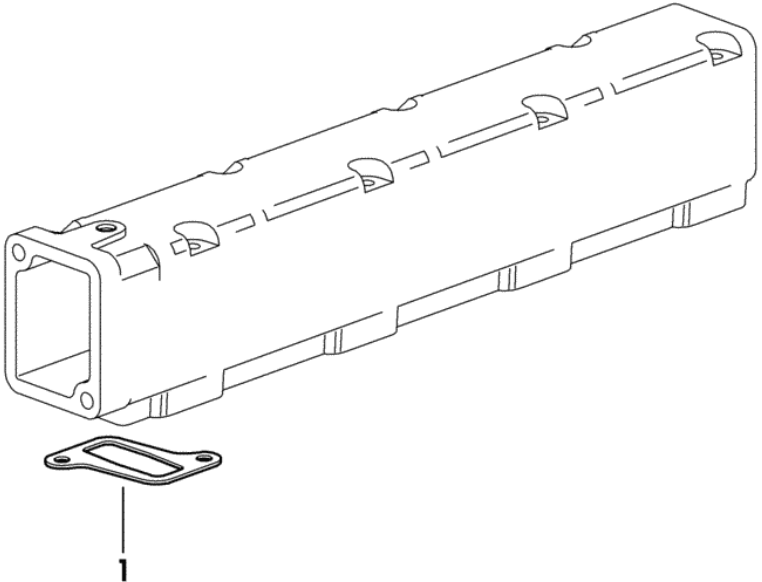
Fig.	Code	QTY	Name
1	0.011.0999.4/20	1	manifold
1.1	0.000.0000.1	0	not serviceable
1.2	0.000.0000.1	0	not serviceable
1.3	0.065.1850.0/20	1	gasket
1.4	2.0350.705.6	2	screw 6.3x16
2	0.065.1810.0/10	1	exhaust manifold
6	2.1579.825.2	3	spacer 8.3x13.5x13
7	2.0312.226.2	5	screw m 8 p.1.25x100
8	2.0112.231.2	1	screw m 8 p.1.25x110
10	2.0432.007.2	7	stud bolt m 8 p.1.25-1x30
11	2.0119.121.0	8	screw m 6x10
12	2.1480.014.1	5	washer 8
17	2.1019.033.0	8	special nut m 8 p.1
21	2.0112.211.2	2	screw m 8 p.1.25x30
22	2.1011.105.2	2	nut m 8 p.1.25
23	2.1310.004.2	9	flat washer 8.4x16
24	2.0432.027.7	2	stud bolt m 8 p 1.25-1x120
25	2.1011.505.2	2	nut m 8 p.1
26	2.0432.009.7	1	stud bolt m 8 p.1.25-1x35

9_M6918_00_0_0

Section: ENGINE
INTAKE AND EXHAUST MANIFOLD GASKETS

9_33218_00_0_0

Fig.	Code	QTY	Name
1	0.011.1304.0/10	4	gasket
2	0.007.1445.0	4	gasket



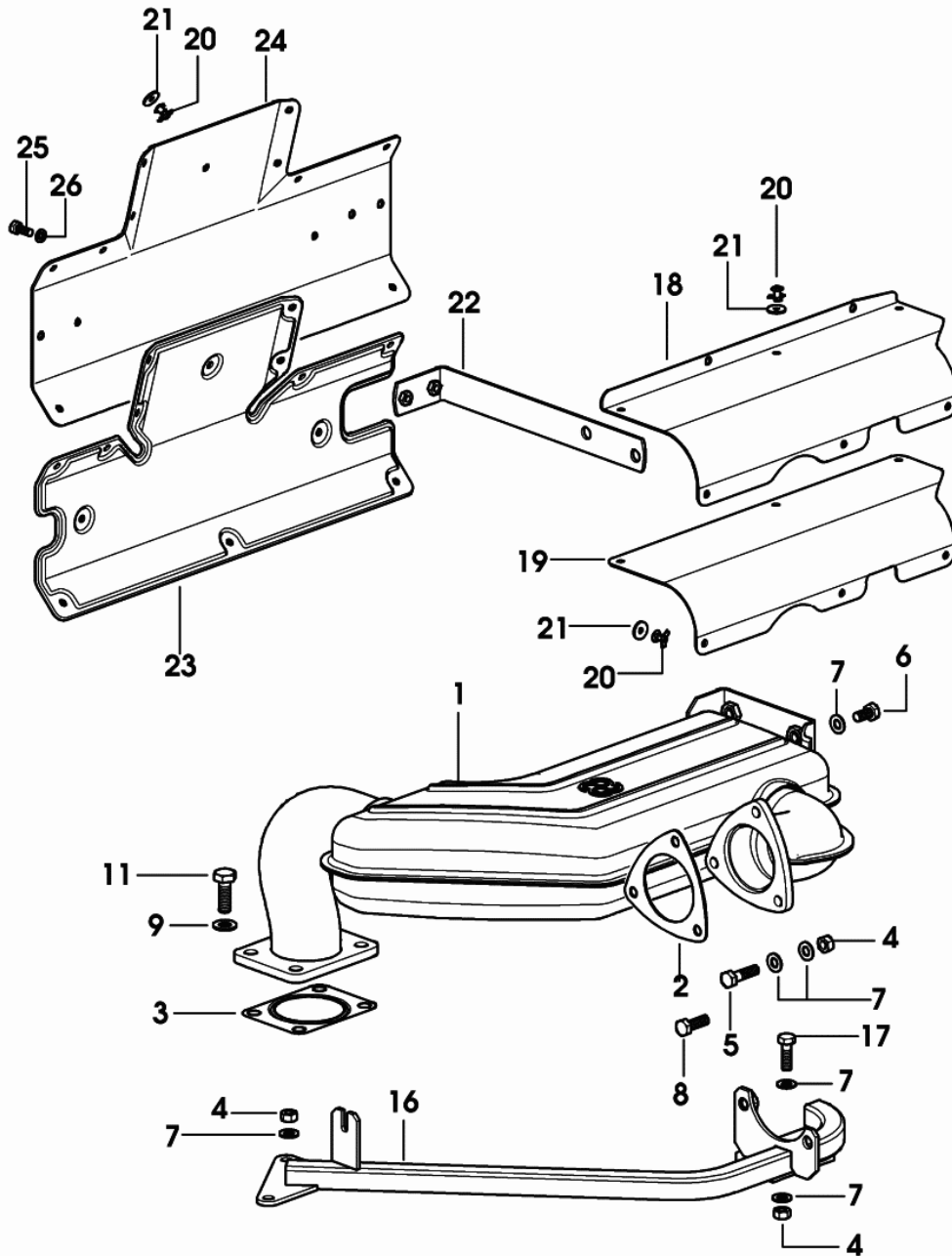
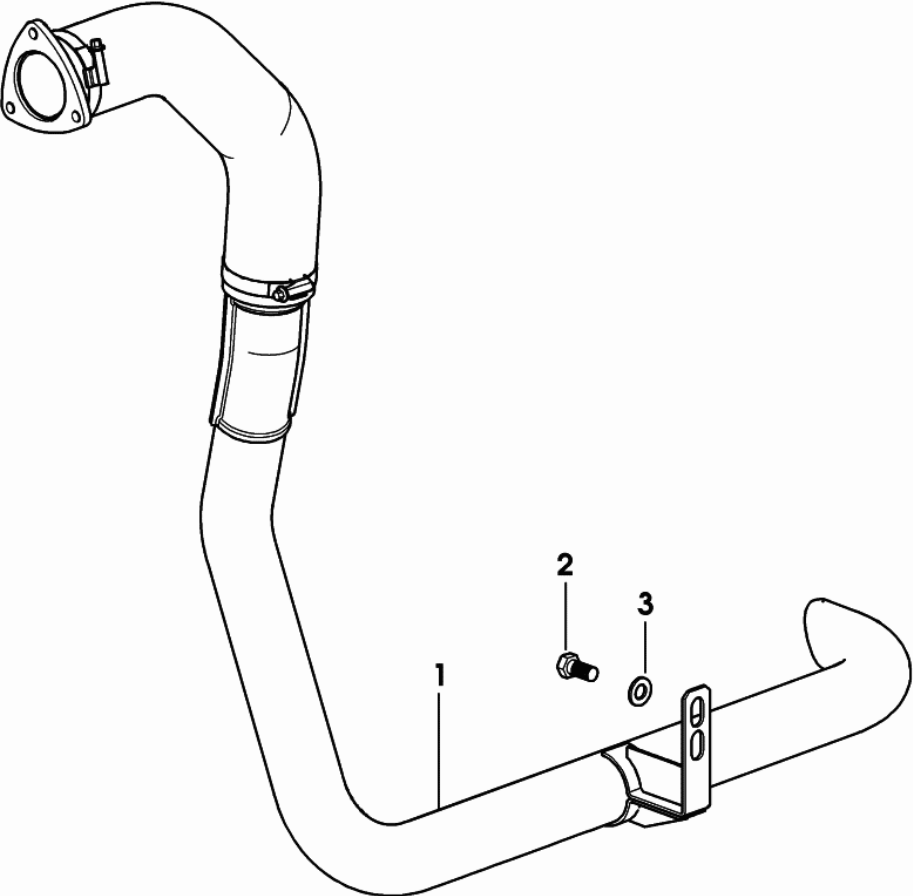
Section: ENGINE
EXHAUST SILENCER


Fig.	Code	QTY	Name
1	0.013.7469.3/40	1	exhaust silencer
2	0.014.3014.0	1	gasket
3	0.007.0984.0	1	gasket
4	2.1011.105.2	6	nut m 8 p.1.25
5	2.0112.211.2	2	screw m 8 p.1.25x30
6	2.0112.205.2	2	screw m 8 p.1.25x16
7	2.1310.004.2	13	flat washer 8.4x16
8	2.0112.213.2	2	screw m 8 p.1.25x35
9	2.1310.006.2	4	flat washer 10.5x20
11	2.0119.076.0	4	screw
16	0.013.6998.3/20	1	bracket
17	2.0112.213.2	2	screw m 8 p.1.25x35
18	0.014.3038.0/10	1	division
19	0.014.3007.0	1	guard
20	2.1851.005.0	20	rivet
21	2.1312.002.2	20	washer 5.3x15
22	0.014.3467.3	1	bracket
23	0.014.3464.0	1	guard
24	0.014.3458.0	1	shield
25	2.0112.005.2	3	screw m 6 p.1x16
26	2.1470.002.2	3	lock washer 6

Section: ENGINE
EXHAUST SILENCER

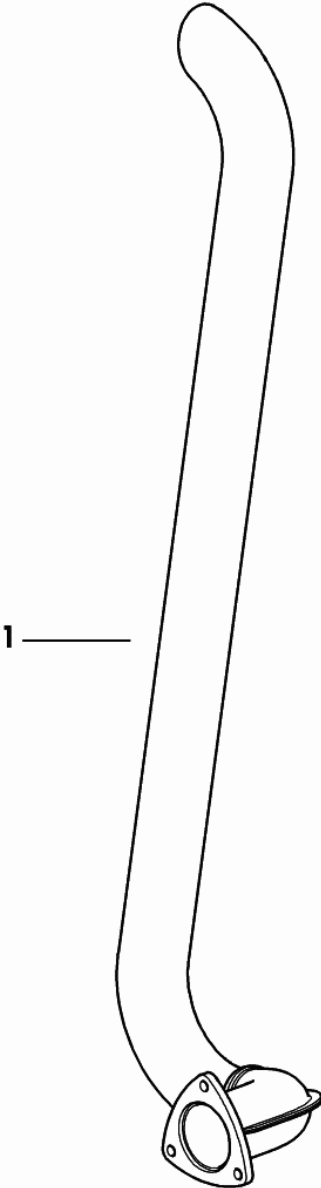
Fig.	Code	QTY	Name
1	0.013.5090.2/50	1	tube
2	2.0112.409.2	1	screw m 12 p.1.75x25
3	2.1310.007.2	1	flat washer 13x24



9_C2356_01_0_0

Section: ENGINE
SIDE EXHAUST SILENCER

Fig.	Code	QTY	Name
1	0.013.7017.2/30	1	tube



9_C2256_02_0_0

Section: ENGINE

GASKET SET FOR ENGINE ASSEMBLY

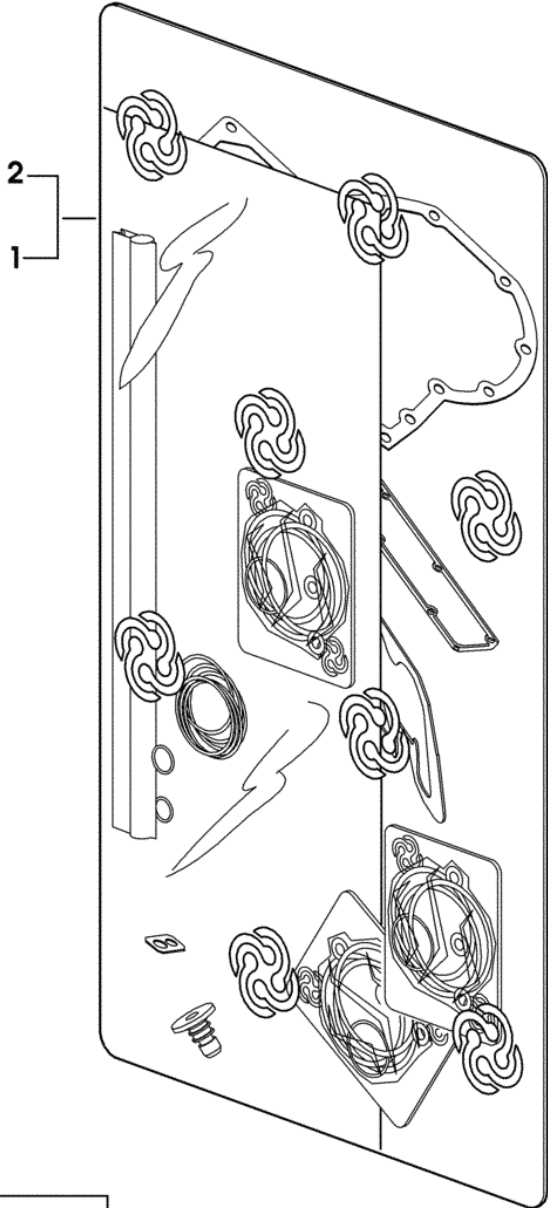


Fig.	Code	QTY	Name
1	0.051.0050.6	1	gasket set X EXPLORER 75T 75TB 85T 85TB
2	0.330.0050.6	1	gasket set X EXPLORER 95T 95TB

9_STAC22_00_0_A

EXPLORER 75 T

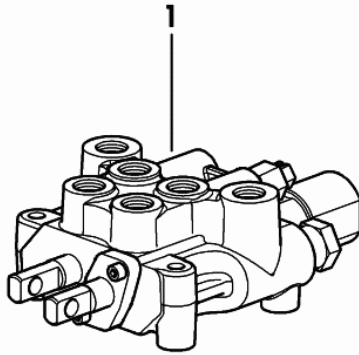
ACCESSORY

4-WAY AUXILIARY DISTRIBUTOR.....	526
4-WAY AUXILIARY DISTRIBUTOR.....	527
4 - 6 - WAY DISTRIBUTOR EQUIPMENT.....	530
6-WAY AUXILIARY DISTRIBUTOR.....	532
6-WAY AUXILIARY DISTRIBUTOR.....	533
4/6 WAY SPOOL VALVES CONTROL.....	536
CONTROLS FOR 6-WAY AUXILIARY SERVICES CONTROL VALVE.....	537
3 POINT HITCH.....	538
3 POINT HITCH.....	539
3 POINT HITCH.....	542
3-POINT LINKAGE WITH AUTOMATIC COUPLERS.....	544
TOWING BAR.....	546
FRONT PULL HITCH BRACKET.....	547
FRONT TOWING HITCH.....	548
FRONT TOWING HITCH.....	549
REAR TOWING HITCH.....	550
REAR TOWING HITCH CAT: "D" mm 38.....	552
REAR TOWING HITCH CAT: "D2" mm 43.....	553
REAR TOWING HITCH.....	557
REAR TOWING HITCH CAT: "C".....	558
REAR OSCILLATING HITCH cat. A.....	561
FRONT WEIGHT CARRIER.....	563
FRONT BALLAST n. 2.....	564
FRONT BALLAST n. 4.....	565
FRONT BALLAST n. 8.....	566
WHEEL BALLAST.....	567
WHEEL BALLAST.....	568
WHEEL BALLAST.....	569
HYDRAULIC BREAKING FOR TRAILER.....	570
HYDRAULIC BREAKING FOR TRAILER - ITALY -.....	572
HYDRAULIC BREAKING FOR TRAILER - EXPORT F.....	574
LUBRICATOR.....	575
TOOL POUCH.....	576

Section: ACCESSORY

4-WAY AUXILIARY DISTRIBUTOR

Fig.	Code	QTY	Name
1	2.3719.530.0	1	distributor 4 - float ☞ 645 => 645

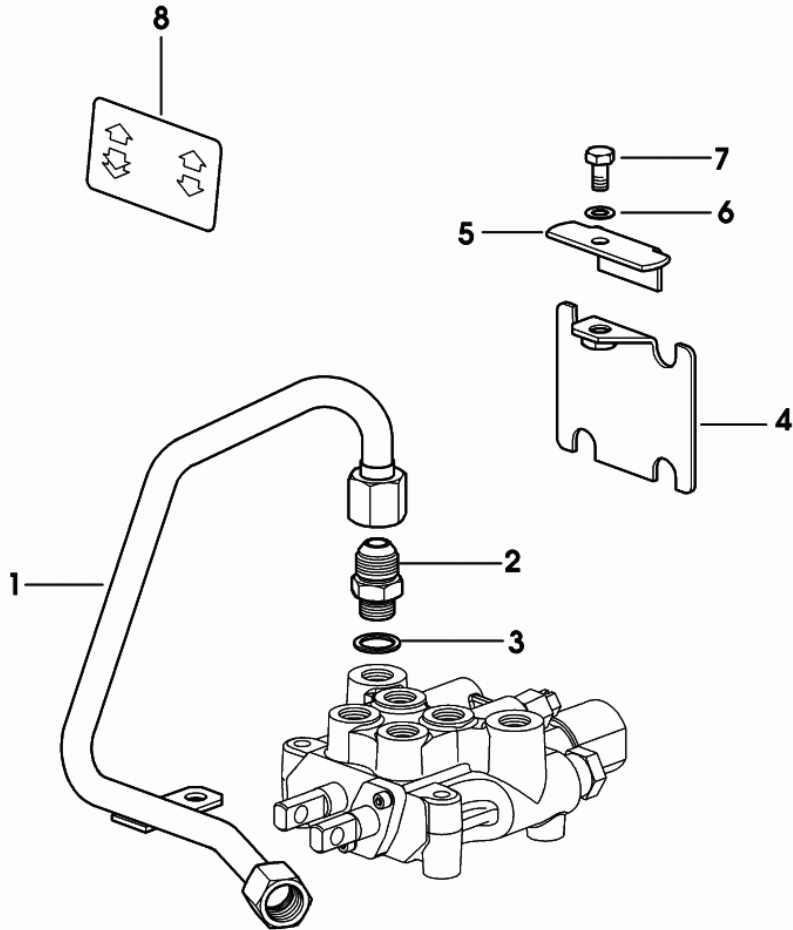


9_C2688_15_0_0

Section: ACCESSORY

4-WAY AUXILIARY DISTRIBUTOR

Fig.	Code	QTY	Name
1	0.014.2684.3/10	1	tube
2	2.3261.010.2	1	pipe fitting M18x1,5 7/8" 14
3	2.1560.014.0	1	gasket 18.2x24x1.5
4	0.008.8616.2	1	bracket
5	0.008.8618.0	1	clamp
6	2.1470.004.2	1	lock washer 8
7	2.1011.205.2	1	nut m 8 p.1.25
8	2.9929.329.0	1	plate



9_C2788_16_0_0

Section: ACCESSORY

4 - 6 - WAY DISTRIBUTOR EQUIPMENT

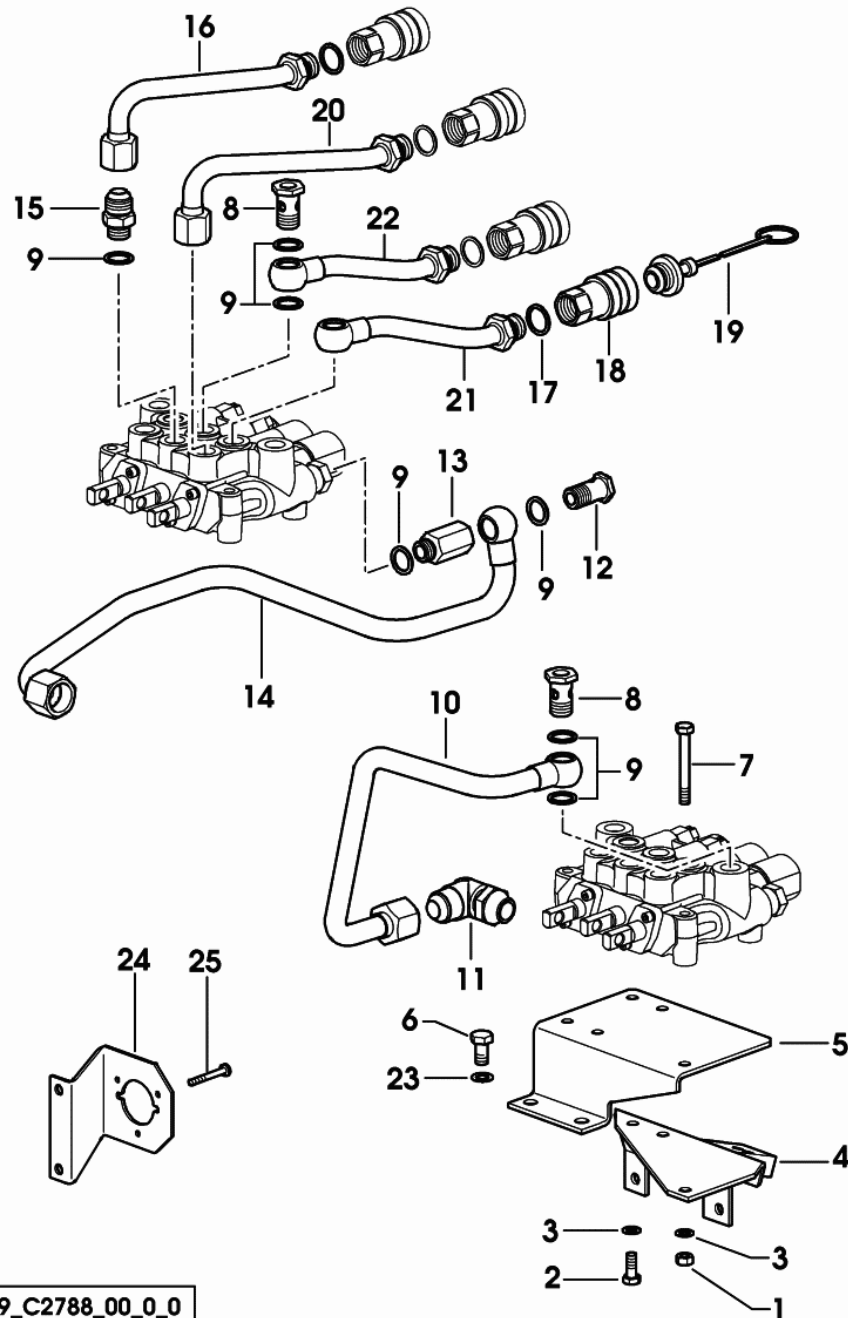


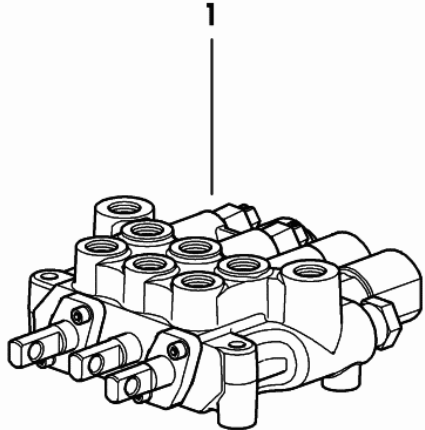
Fig.	Code	QTY	Name
1	2.1011.105.2	2	nut m 8 p.1.25
2	2.0112.207.2	1	screw m 8 p 1.25x20
3	2.1470.004.2	3	lock washer 8
4	0.014.2388.2	1	bracket
5	0.014.2387.0	1	bracket
6	2.0112.307.2	1	screw m 10 p.1.5x20
7	2.0112.222.2	2	screw m 8 p.1.25x65
8	2.3335.008.2	3	pipe union m 18 p.1.5X32
9	2.1560.014.0	11	gasket 18.2x24x1.5
10	0.008.8622.3/10	1	tube
11	2.3264.021.2	2	pipe fitting m 22 p.1.5 - 1" 1/16
12	2.3339.295.2/10	1	pipe union m 18 p.1.5 x 35
13	2.3339.341.2/10	1	pipe fitting m 18 p.1.5
14	0.014.2688.3	1	tube
15	2.3261.010.2	2	pipe fitting M18x1,5 7/8" 14
16	0.008.8540.3/10	1	tube
17	2.1560.054.0	4	gasket 21x26
18	0.98308.50.3/10	4	coupling ☞ 646 => 646
19	0.013.7997.0	4	plug
20	0.008.8541.3/10	1	tube
21	0.008.8544.3/10	1	tube
22	0.008.8543.3/10	1	tube
23	2.1470.006.2	2	lock washer 10
24	0.008.8682.0	1	support
25	2.0332.311.2	3	screw m 5x40

9_C2788_00_0_0

Section: ACCESSORY

6-WAY AUXILIARY DISTRIBUTOR

Fig.	Code	QTY	Name
1	0.009.2007.4/10	1	distributor ☞ 647 => 647

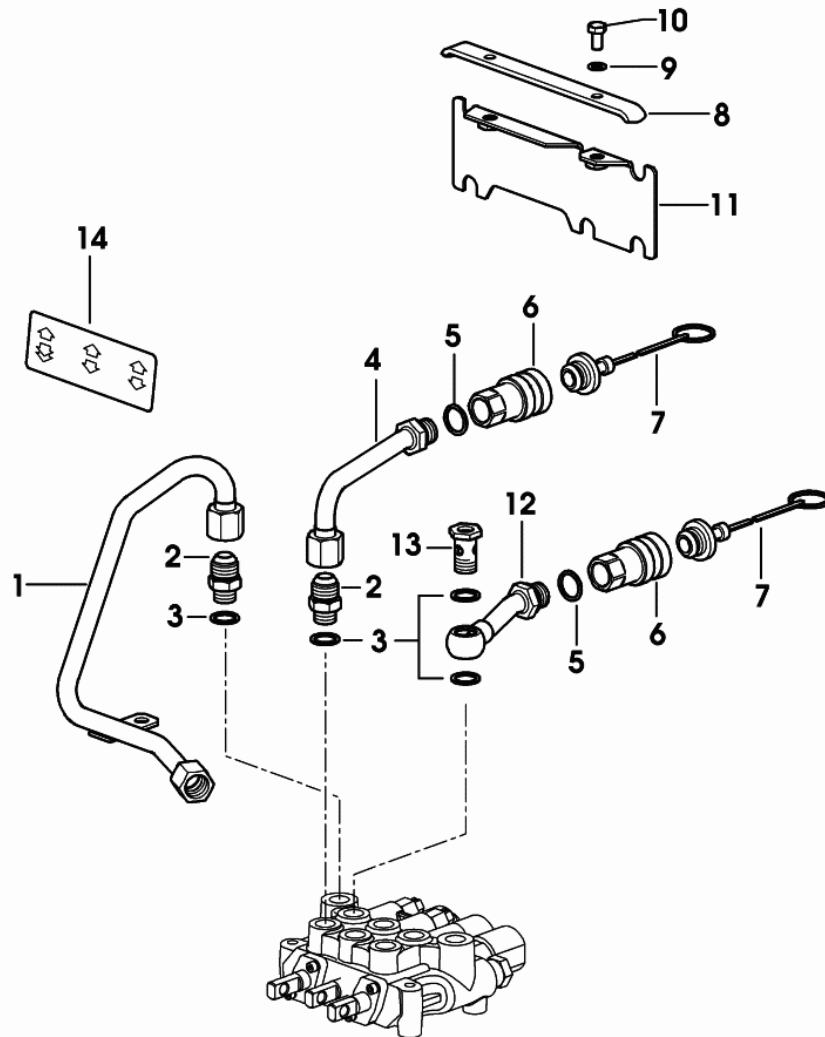


9_C2688_25_0_0

Section: ACCESSORY

6-WAY AUXILIARY DISTRIBUTOR

Fig.	Code	QTY	Name
1	0.014.2685.3/10	1	tube
2	2.3261.010.2	2	pipe fitting M18x1,5 7/8" 14
3	2.1560.014.0	4	gasket 18.2x24x1.5
4	0.008.8539.3/10	1	tube
5	2.1560.054.0	2	gasket 21x26
6	0.98308.50.3/10	2	coupling ☞ 646 => 646
7	0.013.7997.0	2	plug
8	0.008.8619.0	1	clamp
9	2.1470.004.2	2	lock washer 8
10	2.0112.205.2	2	screw m 8 p.1.25x16
11	0.008.8617.2	1	bracket
12	0.008.8542.3/10	1	tube
13	2.3335.008.2	1	pipe union m 18 p.1.5X32
14	2.9929.328.0	1	plate



9_C2788_26_0_0

4/6 WAY SPOOL VALVES CONTROL

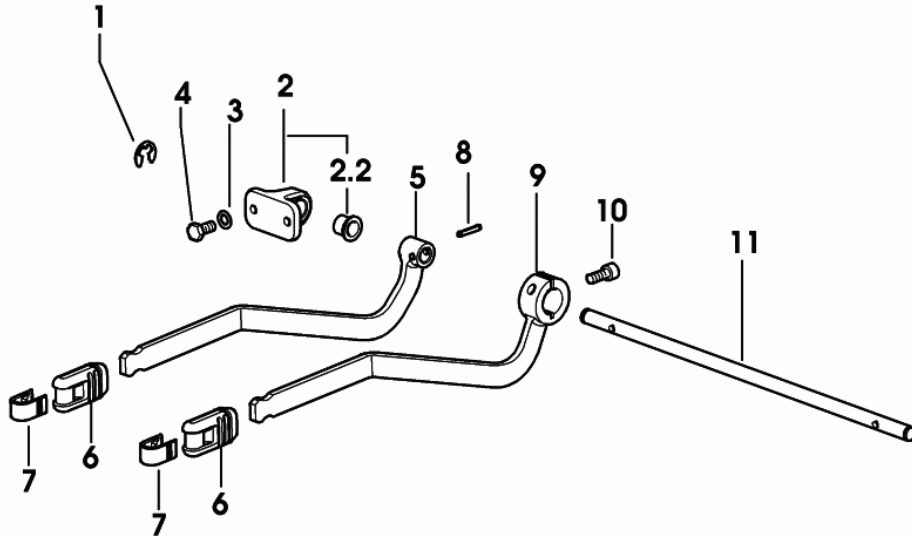
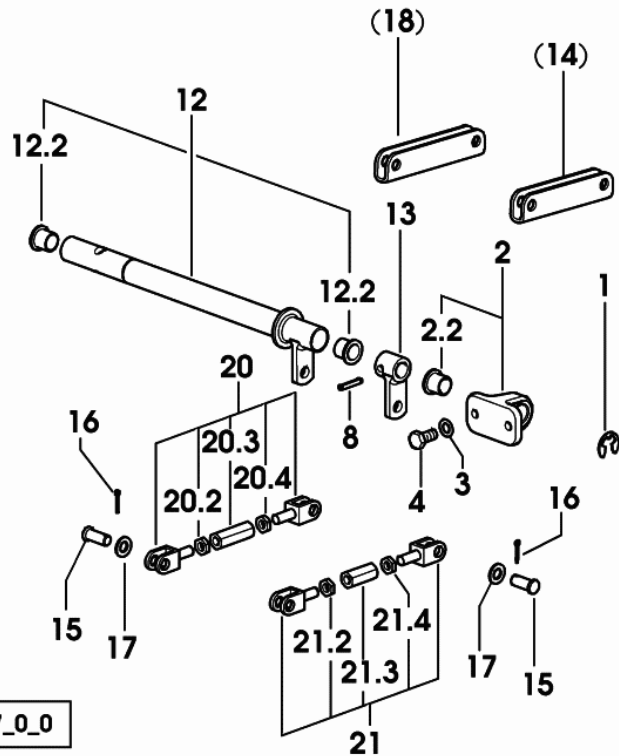


Fig.	Code	QTY	Name
1	2.1430.011.7	2	circlip 10
2	0.008.8523.3/20	2	support
2.2	2.1559.243.0	1	bushing 12x16x15
3	2.1470.004.2	4	lock washer 8
4	2.0112.205.2	4	screw m 8 p.1.25x16
5	0.014.0768.2/20	1	lever
6	0.008.8388.0	2	knob
7	0.009.0140.0	2	coupling
8	2.1631.411.0	2	roll pin 5x24
9	0.014.0767.2/20	1	lever
10	2.0312.206.2	1	screw m 8 p.1.25x20
11	0.008.8526.0/10	1	shaft
12	0.014.0765.3/20	1	shaft
12.2	2.1559.243.0	2	bushing 12x16x15
13	0.014.0764.2/20	1	lever
14	0.014.0759.0	1	rod



15	2.1699.245.2/10	4	pin
16	2.1690.206.2	4	split pin 2x16
17	2.1599.564.2	4	washer 9.5x17x1.6
18	0.014.0760.0	1	lever
			1055 <- X EXPLORER 75 T
			1006 <- X EXPLORER 75 TB
			1049 <- X EXPLORER 85 T
			1008 <- X EXPLORER 85 TB
			1063 <- X EXPLORER 95 T
			1057 <- X EXPLORER 95 TB
20	0.014.4684.3/20	1	rod
20.2	2.1019.157.2	1	nut m 8 p 1.25x4
20.3	2.1019.163.2	1	register
20.4	2.1011.205.2	1	nut m 8 p.1.25
21	0.014.4686.3/20	1	rod
21.2	2.1019.157.2	1	nut m 8 p 1.25x4
21.3	2.1019.164.2	1	register
21.4	2.1011.205.2	1	nut m 8 p.1.25

9_C2488_17_0_0

CONTROLS FOR 6-WAY AUXILIARY SERVICES CONTROL VALVE

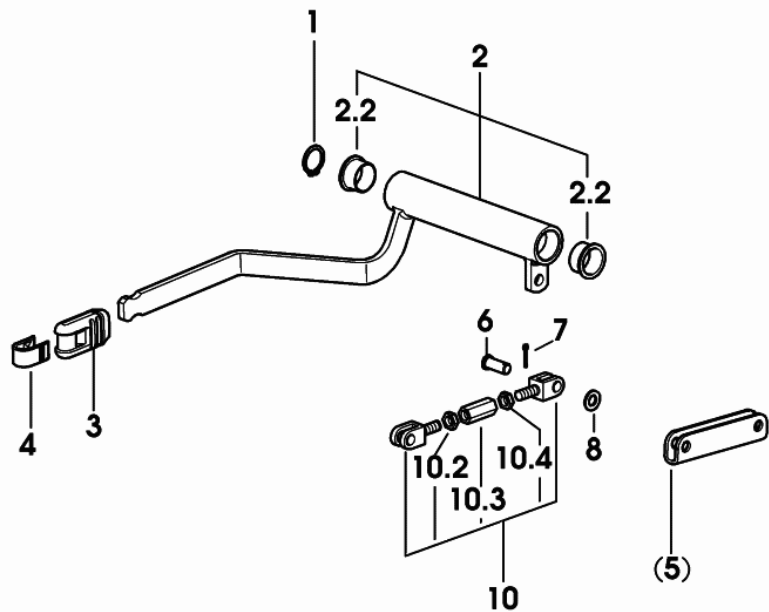


Fig.	Code	QTY	Name
1	2.1410.007.1	1	circlip 21.2
2	0.014.0766.3/20	1	lever
2.2	2.1559.242.0/10	2	bushing
3	0.008.8388.0	1	knob
4	0.009.0140.0	1	coupling
5	0.014.0759.0	1	rod
			1055 <- X EXPLORER 75 T
			1006 <- X EXPLORER 75 TB
			1049 <- X EXPLORER 85 T
			1008 <- X EXPLORER 85 TB
			1063 <- X EXPLORER 95 T
			1057 <- X EXPLORER 95 TB
6	2.1699.245.2/10	2	pin
7	2.1690.206.2	2	split pin 2x16
8	2.1599.564.2	2	washer 9.5x17x1.6
10	0.014.4686.3/20	1	rod
10.2	2.1019.157.2	1	nut m 8 p 1.25x4
10.3	2.1019.164.2	1	register
10.4	2.1011.205.2	1	nut m 8 p.1.25

9_C2488_27_0_0

Section: ACCESSORY

3 POINT HITCH

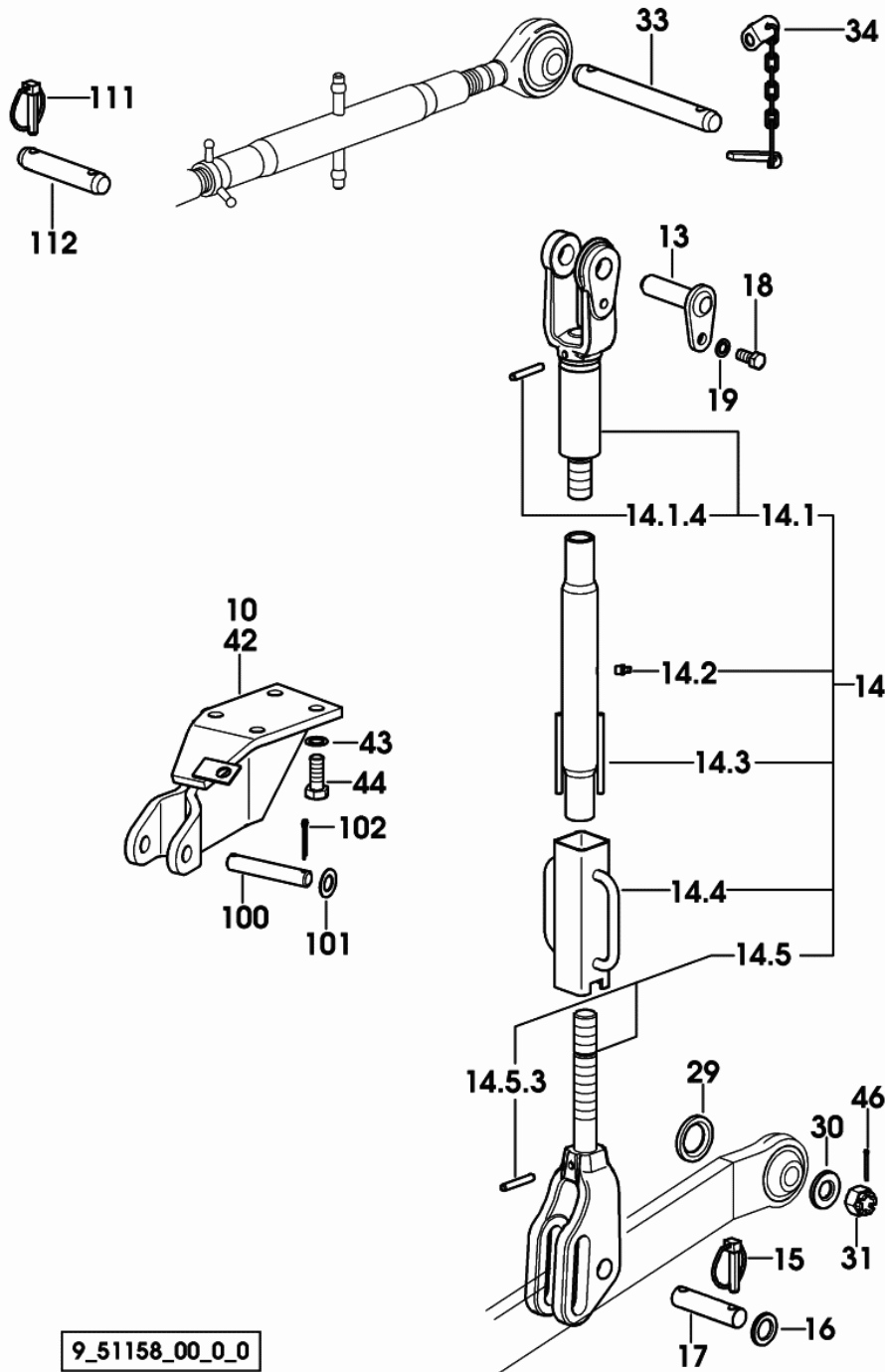


Fig.	Code	QTY	Name
10	0.760.3540.2	1	bracket dx
13	0.008.8469.2	2	pin
14	0.011.4662.4	2	adjustable tensioner
14.1	0.010.4773.3	1	rod
14.1.4	2.1630.717.2	1	roll pin 8x50
14.2	2.3820.105.2	1	lubricator m 10 p.1x7
14.3	0.011.5288.2	1	sleeve
14.4	0.010.4363.2	1	crank
14.5	0.010.4030.3	1	rod
14.5.3	2.1630.717.2	1	roll pin 8x50
15	0.010.9322.4	4	pin
16	2.1311.014.2	4	flat washer 25
17	2.1669.014.2/10	2	pin
18	2.0112.409.2	2	screw m 12 p.1.75x25
19	2.1470.007.2	2	lock washer 12
29	0.96001.64.0/10	2	snoulder 35x55x6
30	0.96001.65.0/10	2	snoulder 21x45x6
31	2.1021.209.2	2	castellated nut m 20 p.1.5
33	0.760.3512.0	1	pin
34	0.001.4291.3/10	2	pin
42	0.760.3541.2	1	bracket sx
43	2.1470.009.2	8	lock washer 16
44	2.0112.615.2	8	screw m 16 p.2x40
46	2.1690.411.2	4	split pin 4x28
100	2.1669.001.0	2	pin 19x110x98
101	2.1310.013.2	4	flat washer 21x37
102	2.1690.513.2	4	split pin 5x36
111	0.010.9322.4	4	pin
112	2.1669.024.2	1	pin 25.4x133

Section: ACCESSORY

3 POINT HITCH

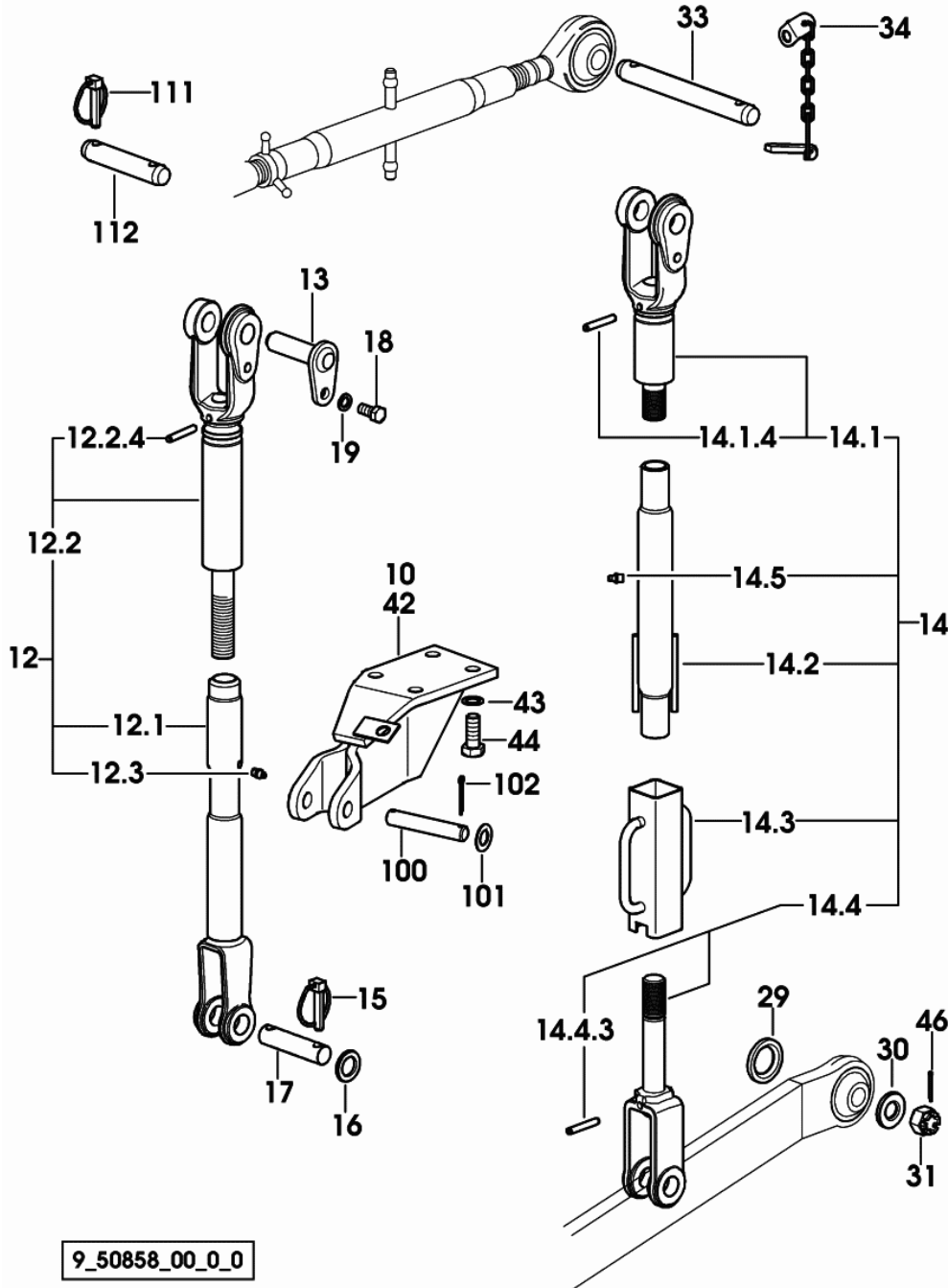
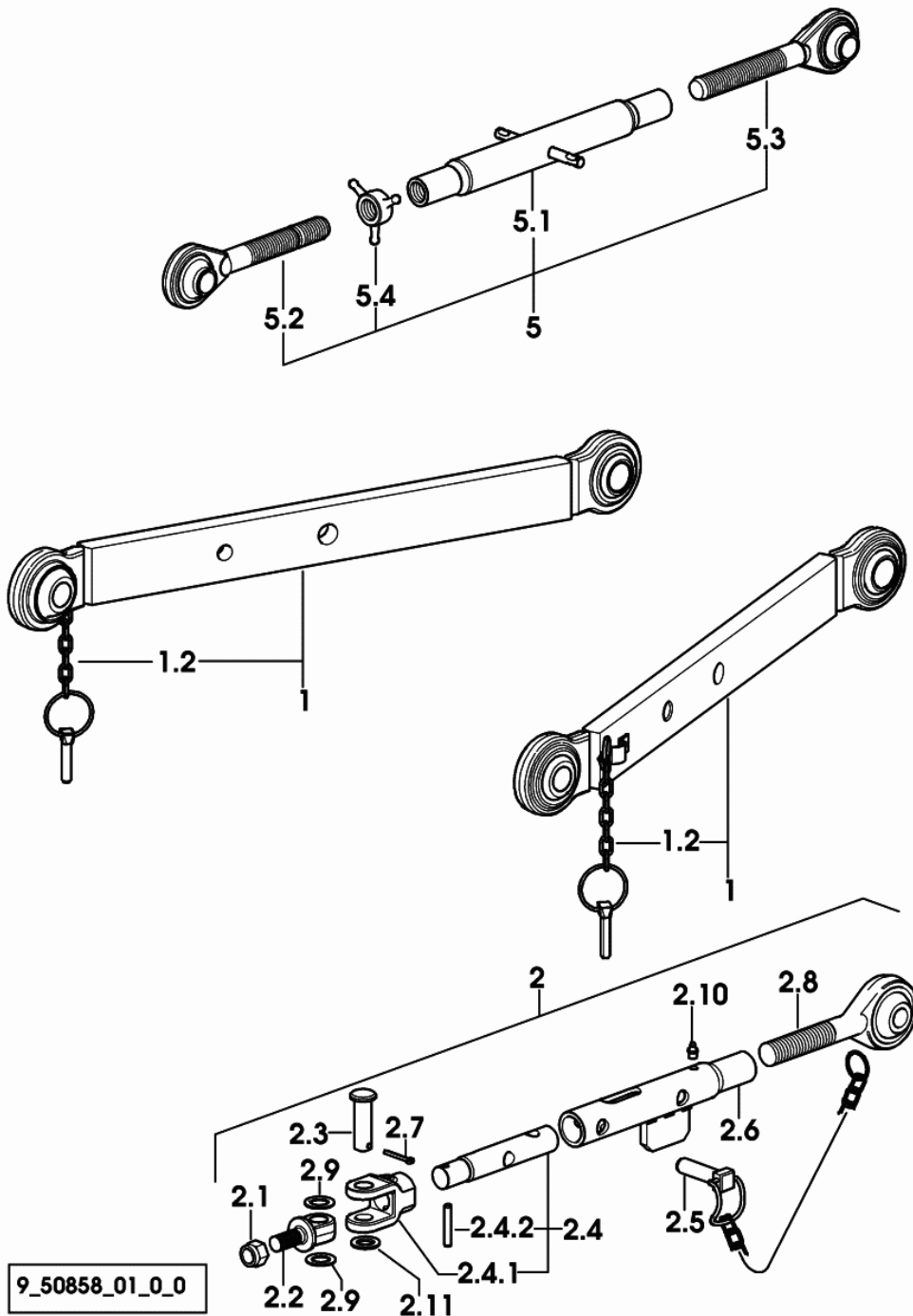


Fig.	Code	QTY	Name
10	0.760.3540.2	1	bracket dx
12	0.000.0000.1	0	not serviceable
12.1	0.760.3536.3/20	1	rod
12.2	0.96048.36.3/30	1	rod sx
12.2.4	2.1630.717.2	1	roll pin 8x50
12.3	2.3820.105.2	1	lubricator m 10 p.1x7
13	0.008.8469.2	2	pin
14	0.010.4791.4	1	rod
14.1	0.010.4076.3/10	1	rod
14.1.4	2.1630.717.2	1	roll pin 8x50
14.2	0.010.4790.2	1	rod
14.3	0.010.4363.2	1	crank
14.4	0.010.4078.3/10	1	rod
14.4.3	2.1630.717.2	1	roll pin 8x50
14.5	2.3820.105.2	1	lubricator m 10 p.1x7
15	0.010.9322.4	4	pin
16	2.1311.014.2	4	flat washer 25
17	2.1669.014.2/10	2	pin
18	2.0112.409.2	2	screw m 12 p.1.75x25
19	2.1470.007.2	2	lock washer 12
29	0.96001.64.0/10	2	snoulder 35x55x6
30	0.96001.65.0/10	2	snoulder 21x45x6
31	2.1021.209.2	2	castellated nut m 20 p.1.5
33	0.760.3512.0	1	pin
34	0.001.4291.3/10	2	pin
42	0.760.3541.2	1	bracket sx
43	2.1470.009.2	8	lock washer 16
44	2.0112.615.2	8	screw m 16 p.2x40
46	2.1690.411.2	4	split pin 4x28
100	2.1669.001.0	2	pin 19x110x98
101	2.1310.013.2	4	flat washer 21x37
102	2.1690.513.2	4	split pin 5x36
111	0.010.9322.4	4	pin
112	2.1669.024.2	1	pin 25.4x133

Section: ACCESSORY

3 POINT HITCH

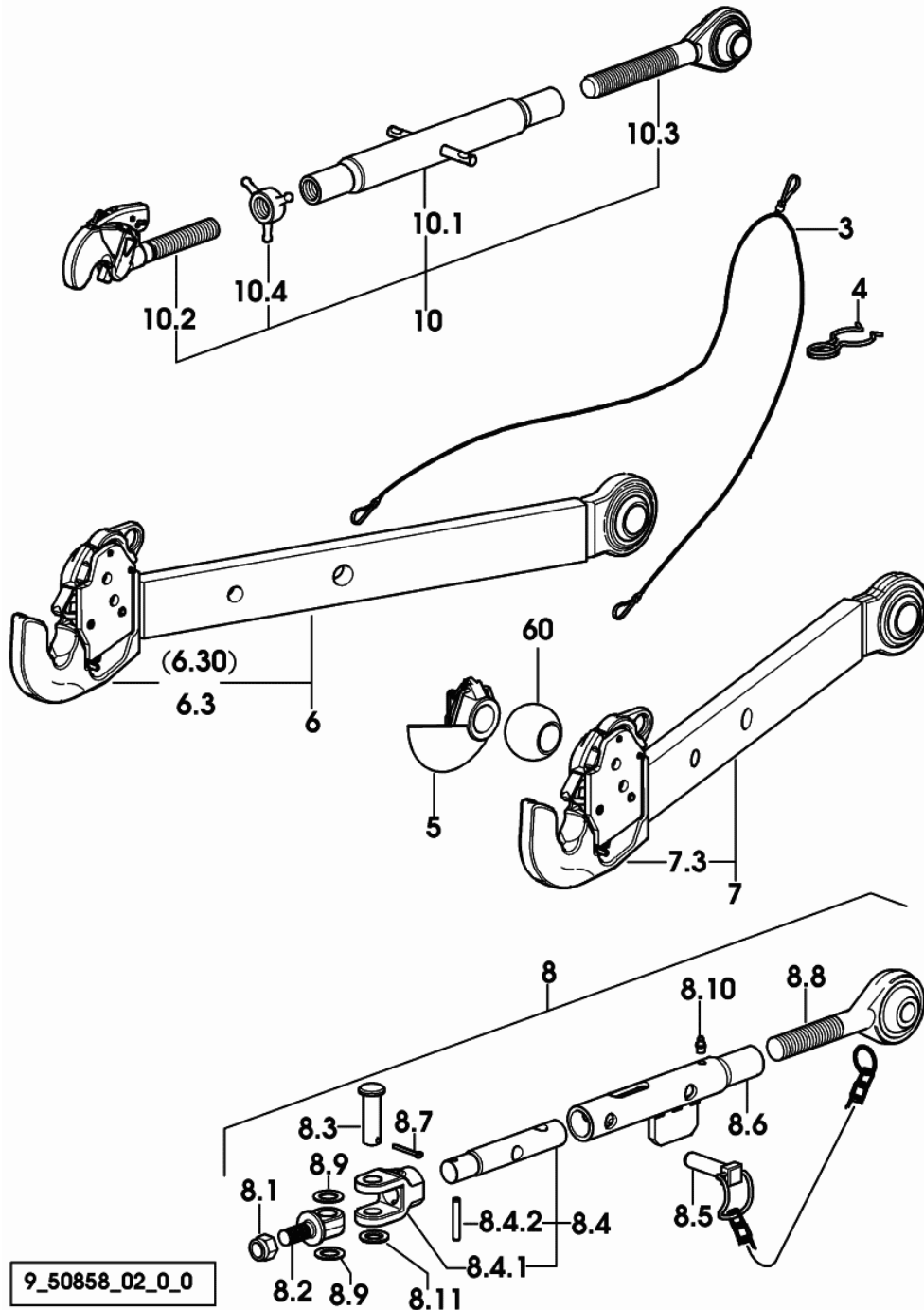
Fig.	Code	QTY	Name
1	0.760.5120.4/20	2	arm
1.2	0.001.3041.3	1	pin
2	0.010.0518.4/10	2	stabiliser
2.1	2.1011.410.2	1	nut m 18 p.1.5
2.2	0.96017.50.0/20	1	pin
2.3	2.1671.917.2	1	pin
2.4	0.010.0514.3/10	1	rod
2.4.1	0.96001.44.0/10	1	fork
2.4.2	2.1630.717.2	1	roll pin 8x50
2.5	0.96001.57.4/10	1	chain
2.6	0.010.0515.2/10	1	tube
2.7	2.1690.513.2	1	split pin 5x36
2.8	0.96014.14.3	1	rod
2.9	2.1599.486.0	2	snoulder
2.10	2.3820.105.2	1	lubricator m 10 p.1x7
2.11	2.1311.012.2	1	flat washer 20
5	0.760.3513.4/20	1	3 point hitch
5.1	0.760.3513.3	1	sleeve
5.2	0.96044.14.3/10	1	adjustable tensioner dx
5.3	0.760.3515.3	1	rod sx
5.4	0.96014.57.0	1	wing nut m 27x3



9_50858_01_0_0

Section: ACCESSORY

3-POINT LINKAGE WITH AUTOMATIC COUPLERS



9_50858_02_0_0

Fig.	Code	QTY	Name
3	0.760.2258.3	1	cable
4	0.760.2262.0	2	spring
5	0.760.5951.3	2	pin 2 cat.
6	0.760.6021.3/60	1	arm sx 1017 <- X EXPLORER 75 T 1003 <- X EXPLORER 75 TB
6.30	0.010.1702.3	1	automatic hook 2 cat.- WALTERSCHEID ☞ 648 => 648
6	0.014.1424.3	1	arm sx -> 1018 X EXPLORER 75T -> 1004 X EXPLORER 75TB X EXPLORER 85TB
6.3	0.014.1420.3	1	automatic hook 2 cat.-CBM- ☞ 649 => 649
7	0.760.6020.3/60	1	arm dx 1017 <- X EXPLORER 75 T 1003 <- X EXPLORER 75 TB
7.3	0.010.1702.3	1	automatic hook 2 cat.- WALTERSCHEID ☞ 648 => 648
7	0.014.1425.3	1	arm dx -> 1018 X EXPLORER 75T -> 1004 X EXPLORER 75TB X EXPLORER 85TB
7.3	0.014.1420.3	1	automatic hook 2 cat.-CBM- ☞ 649 => 649
8	0.010.0518.4/10	2	stabiliser
8.1	2.1011.410.2	1	nut m 18 p.1.5
8.2	0.96017.50.0/20	1	pin
8.3	2.1671.917.2	1	pin
8.4	0.010.0514.3/10	1	rod
8.4.1	0.96001.44.0/10	1	fork
8.4.2	2.1630.717.2	1	roll pin 8x50
8.5	0.96001.57.4/10	1	chain
8.6	0.010.0515.2/10	1	tube
8.7	2.1690.513.2	1	split pin 5x36
8.8	0.96014.14.3	1	rod
8.9	2.1599.486.0	2	snoulder
8.10	2.3820.105.2	1	lubricator m 10 p.1x7
8.11	2.1311.012.2	1	flat washer 20
10	0.014.1413.4/20	1	top link

Section: ACCESSORY

3-POINT LINKAGE WITH AUTOMATIC COUPLERS

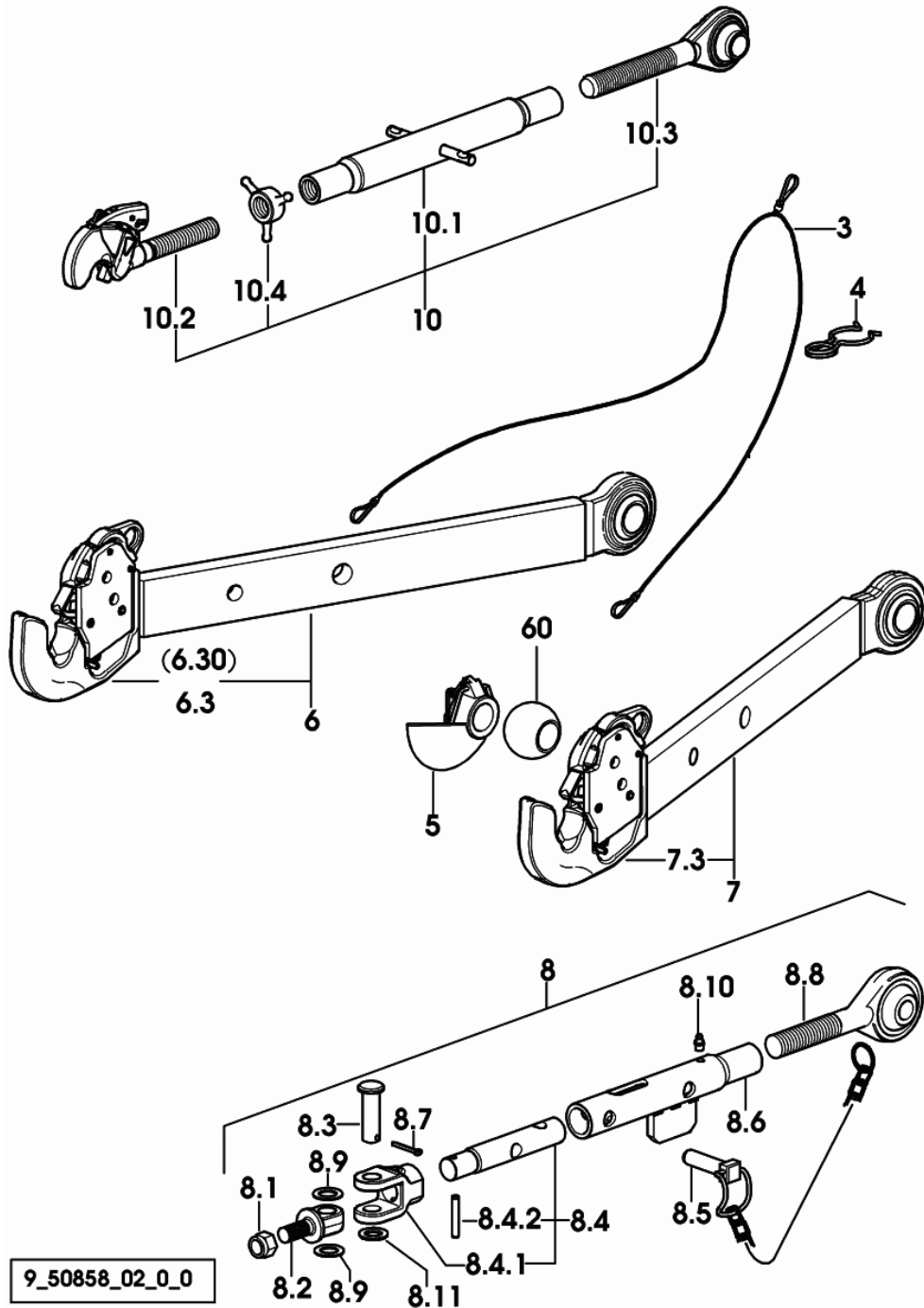
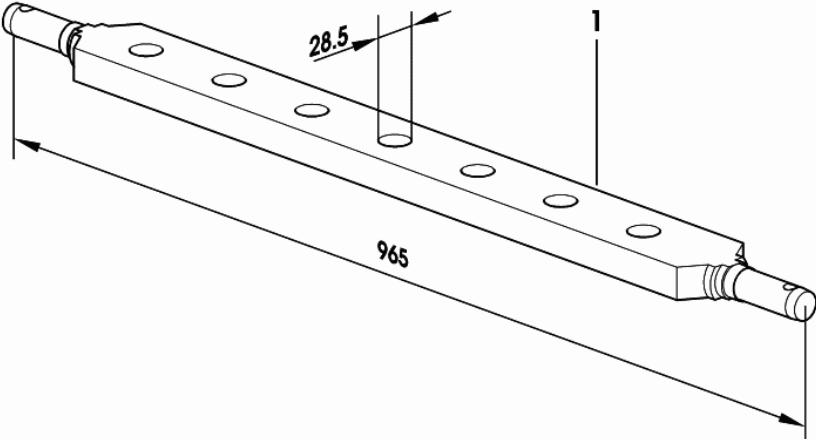


Fig.	Code	QTY	Name
10.1	0.96018.13.3	1	sleeve
10.2	0.014.1412.3	1	rod ↖ 650 => 650
10.3	0.760.3515.3	1	rod sx
10.4	0.96014.57.0	1	wing nut m 27x3
60	0.760.5952.0	2	cap mm 56

9_50858_02_0_0

Section: ACCESSORY
TOWING BAR

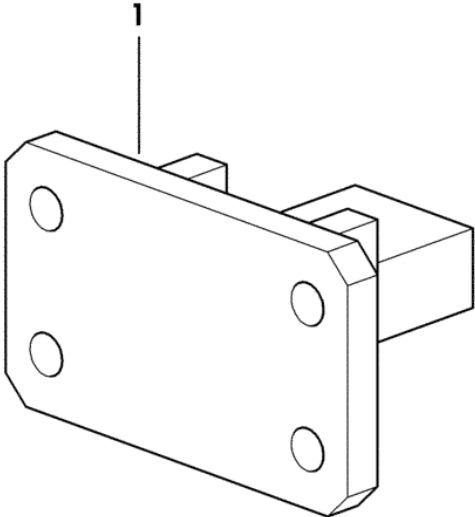
Fig.	Code	QTY	Name
1	0.96701.10.0/10	1	draw bar 2 cat.



9_40558_10_0_0

FRONT PULL HITCH BRACKET

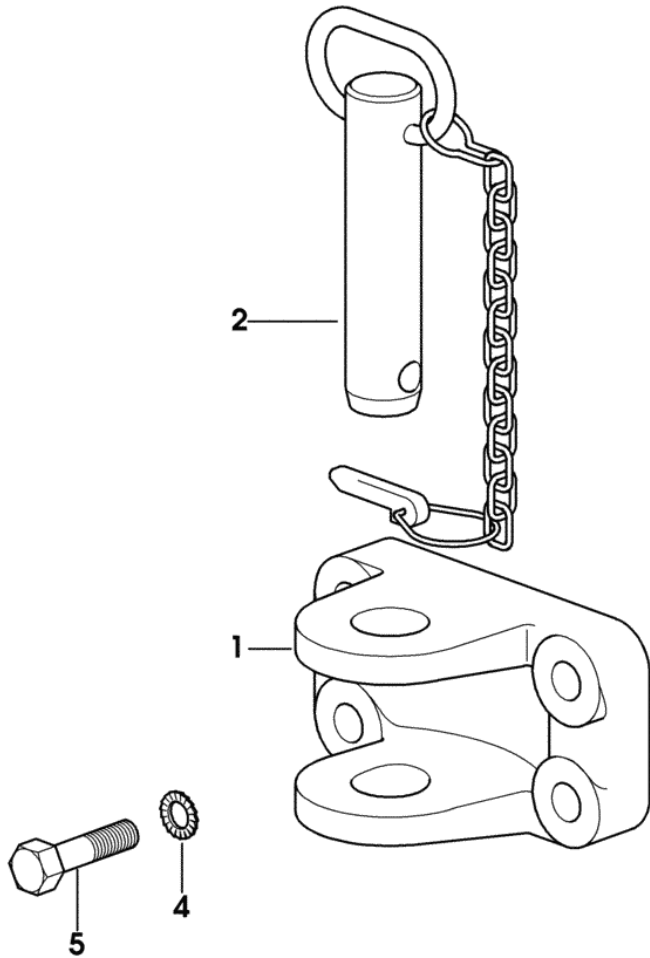
Fig.	Code	QTY	Name
1	0.014.1968.2	1	support



9_C2352_32_0_0

Section: ACCESSORY
FRONT TOWING HITCH

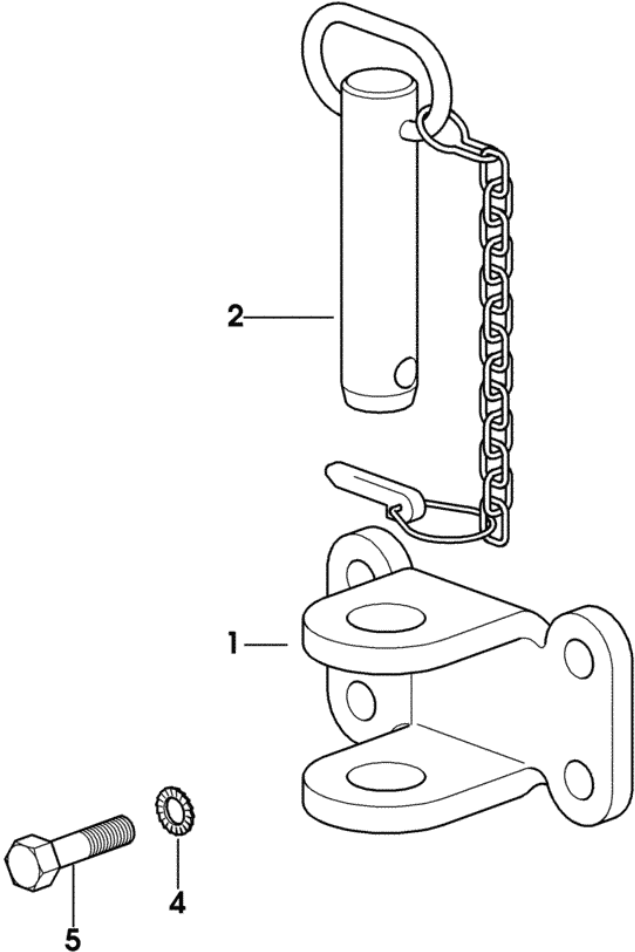
Fig.	Code	QTY	Name
1	0.013.5574.0	1	tow hook
2	0.96309.51.3	1	pin
4	2.1475.006.2	4	washer 17x32
5	2.0112.619.2	4	screw m 16 p.2x50



9_B9852_31_0_0

Section: ACCESSORY
FRONT TOWING HITCH

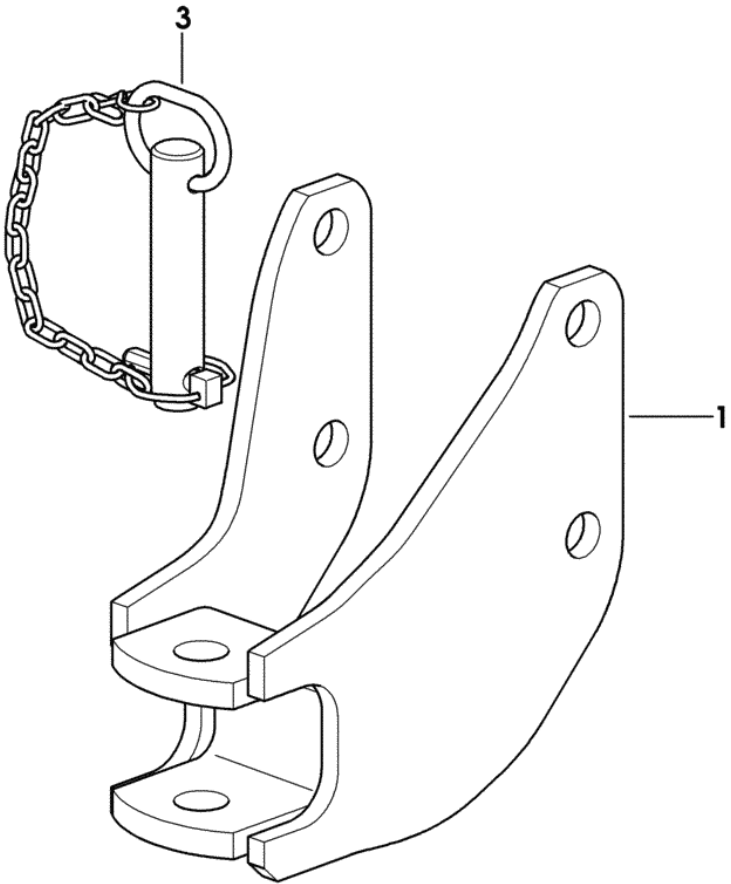
Fig.	Code	QTY	Name
1	0.013.5573.0	1	tow hook
2	0.96309.51.3	1	pin
4	2.1475.006.2	4	washer 17x32
5	2.0112.613.2	4	screw m 16x35



9_B9852_30_0_0

Section: ACCESSORY
REAR TOWING HITCH

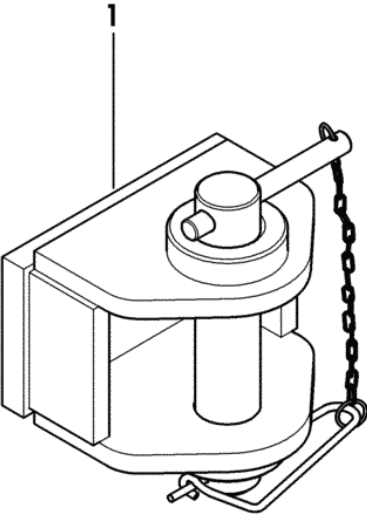
Fig.	Code	QTY	Name
1	0.96134.20.2/10	1	tow hook
3	0.009.1667.3	1	pin



9_50831_30_0_0

REAR TOWING HITCH CAT: "D" mm 38

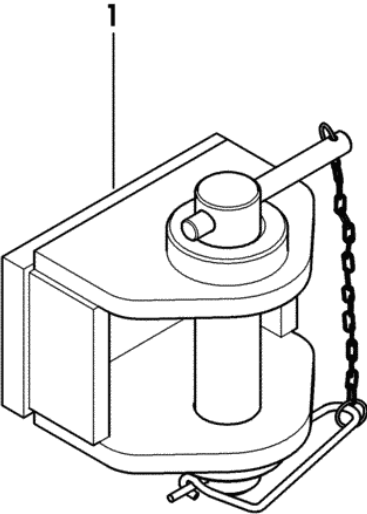
Fig.	Code	QTY	Name
1	0.014.3190.4	1	tow hook cat. D



Section: ACCESSORY

REAR TOWING HITCH CAT: "D2" mm 43

Fig.	Code	QTY	Name
1	0.014.3189.4	1	tow hook cat. D2



Section: ACCESSORY
REAR TOWING HITCH

9_E5731_75_0_0

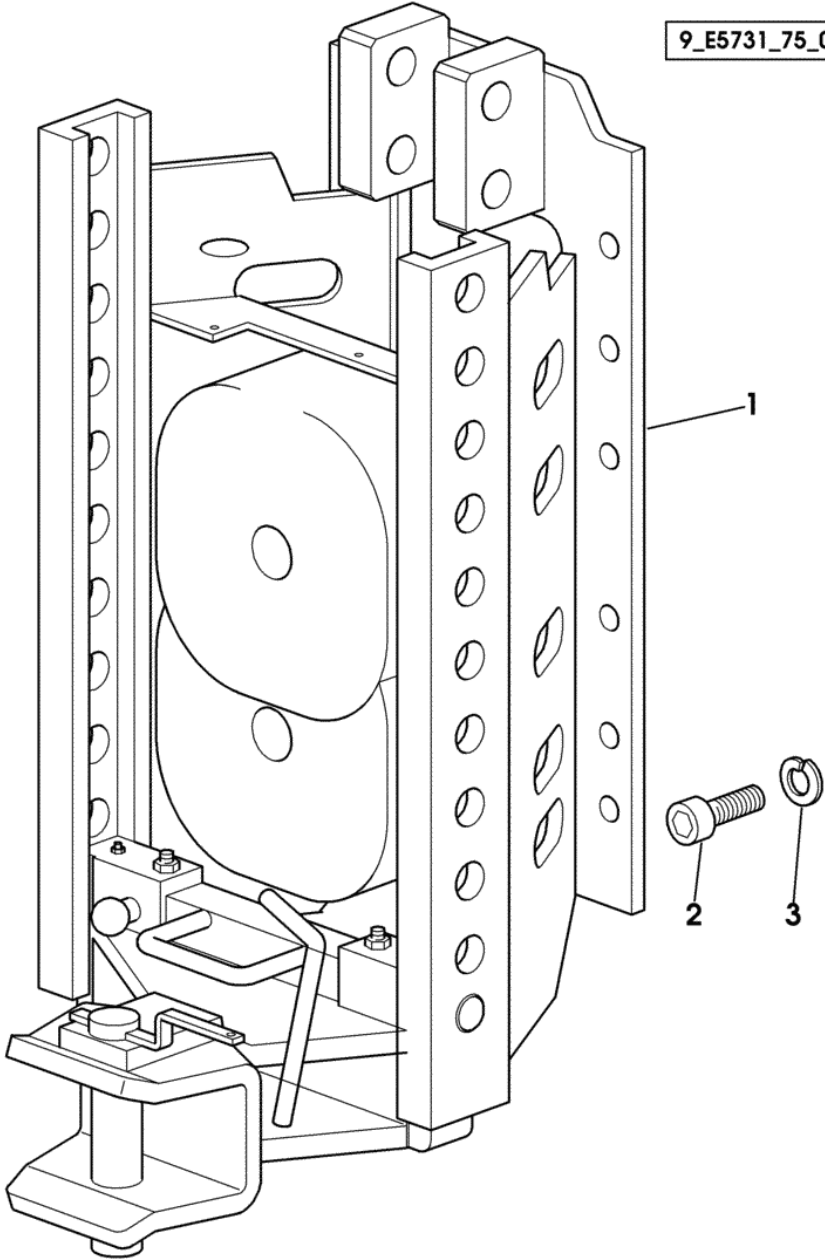


Fig.	Code	QTY	Name
1	0.014.2979.4	1	tow hook ☞ 657 => 657
2	2.0313.616.2	12	screw m 16 p.2x50
3	2.1474.013.2	12	spring washer 16

Section: ACCESSORY

REAR TOWING HITCH CAT: "C"

9_C2231_75_0_0

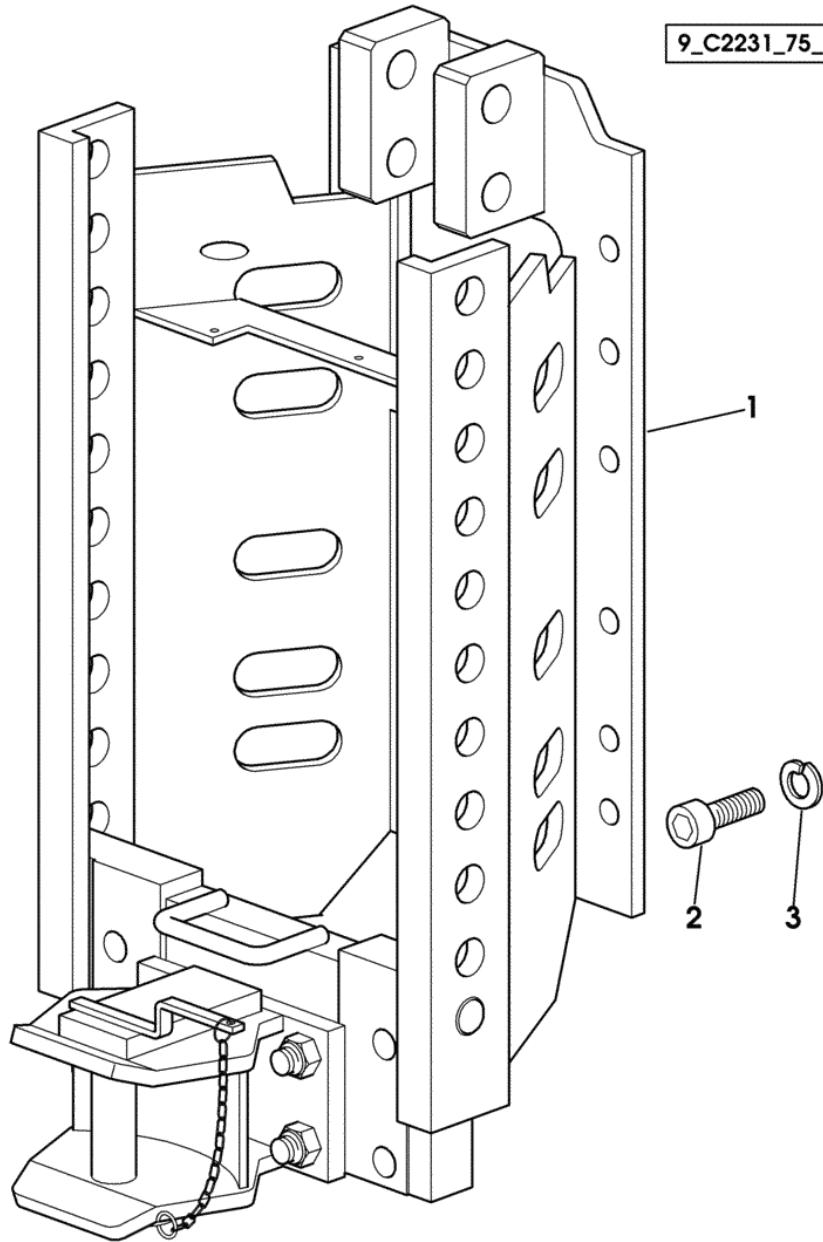
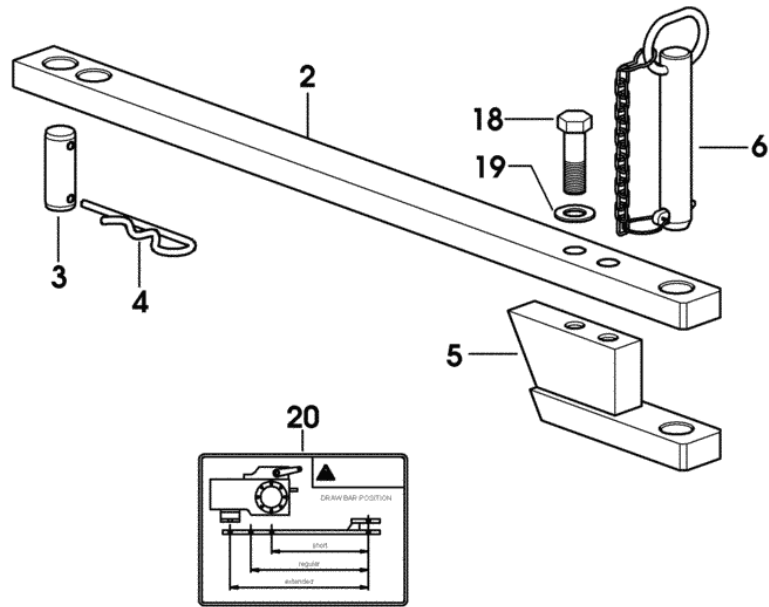
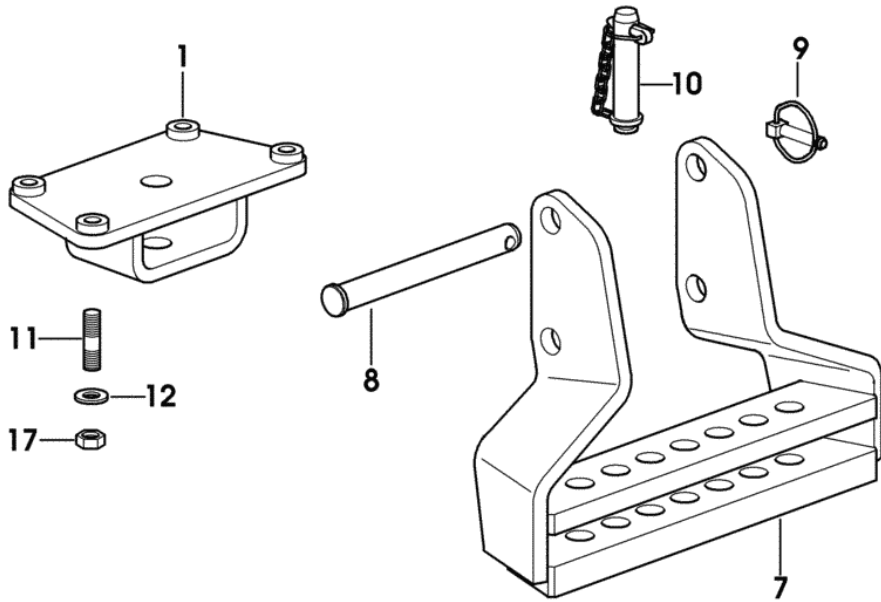


Fig.	Code	QTY	Name
1	0.014.3461.4	1	tow hook ☞ 658 => 658
2	2.0313.616.2	12	screw m 16 p.2x50
3	2.1474.013.2	12	spring washer 16

Section: ACCESSORY

REAR OSCILLATING HITCH cat. A

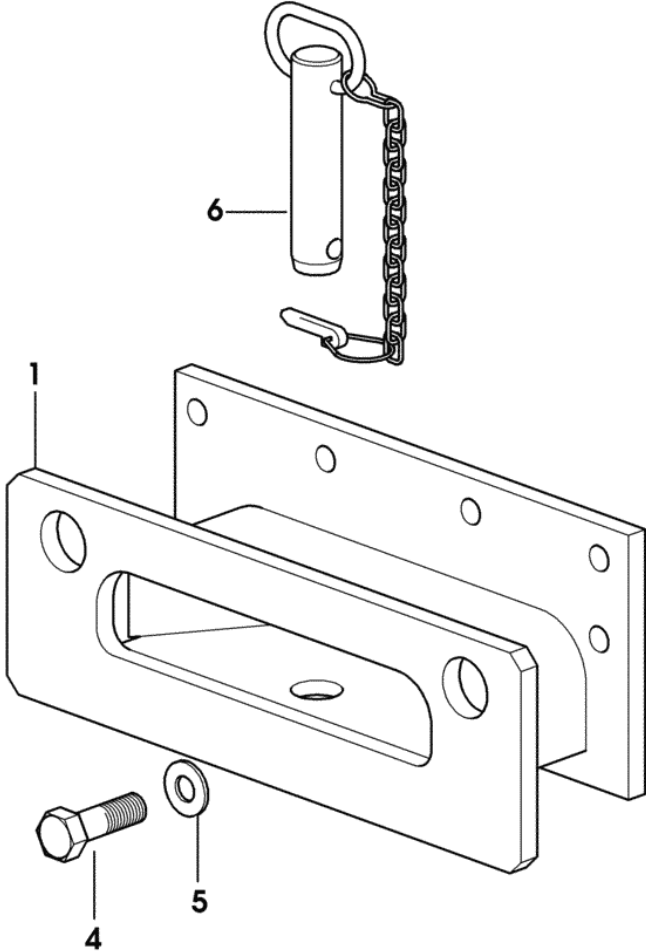
Fig.	Code	QTY	Name
1	0.008.0780.2	1	support
2	0.008.0782.0/20	1	draw bar
3	2.1679.067.2	1	pin 32x85
4	2.1699.072.2	1	pin
5	0.008.0784.3	1	plate
6	0.97306.30.3	1	pin
7	0.008.0781.2	1	toothed sector
8	0.97320.30.0	2	pin
9	0.010.9322.4	2	pin
10	0.97303.24.3	2	pin
11	2.0432.411.7	4	stud bolt m 16 p.2-1.5x40
12	2.1499.019.6	4	conical washer 16.3x31.5
17	2.1011.409.2	4	nut m 16 p.1.5
18	2.0122.822.2	2	screw m 20 p.1.5x65
19	2.1475.108.2	2	spring washer 20
20	2.9939.051.0	1	plate



9_50831_35_0_0

Section: ACCESSORY
FRONT WEIGHT CARRIER

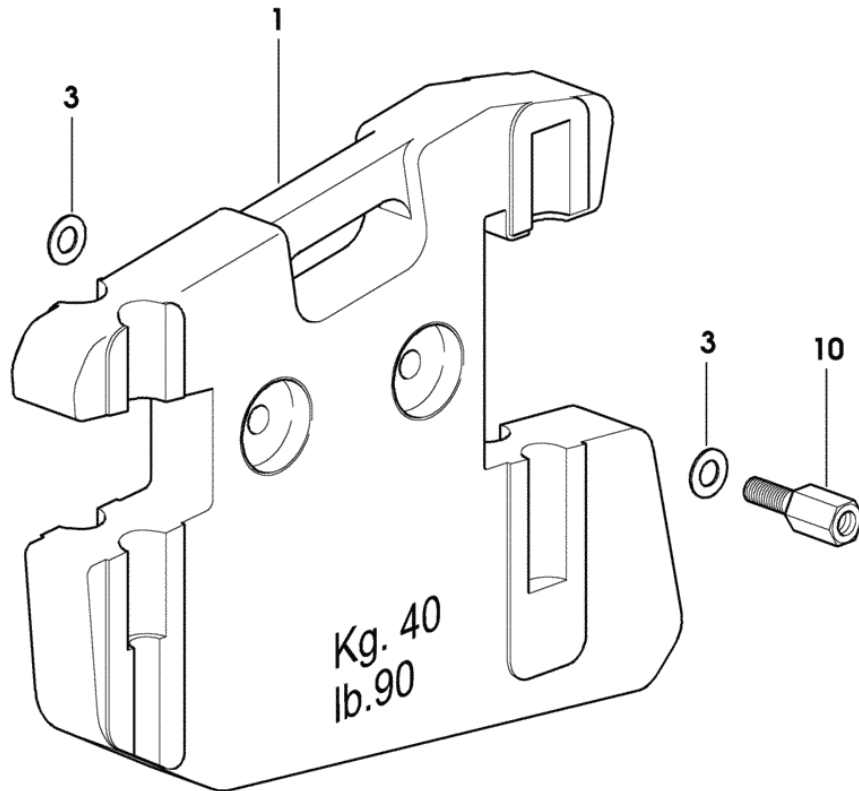
Fig.	Code	QTY	Name
1	0.013.5572.2/10	1	chassis frame
4	2.0112.615.2	6	screw m 16 p.2x40
5	2.1475.006.2	6	washer 17x32
6	0.96309.51.3	1	pin



9_B9852_45_0_0

Section: ACCESSORY
FRONT BALLAST n. 2

Fig.	Code	QTY	Name
1	0.96929.40.0/20	2	ballast 40 Kg - lb 90
3	2.1310.009.2	8	flat washer 15x28
10	0.96916.50.0	4	small column m 14 p.2



9_49052_50_0_0

Section: ACCESSORY
FRONT BALLAST n. 4

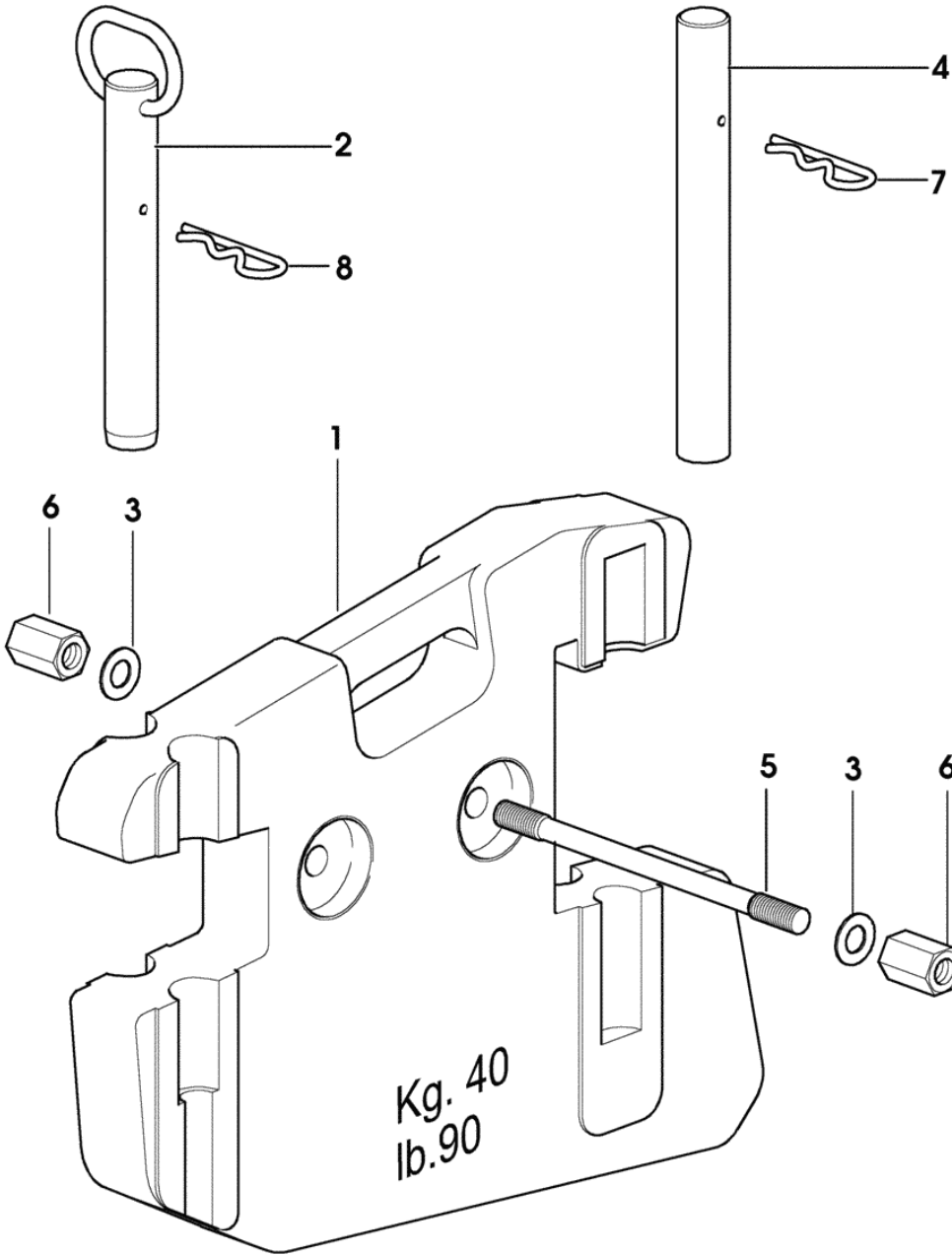
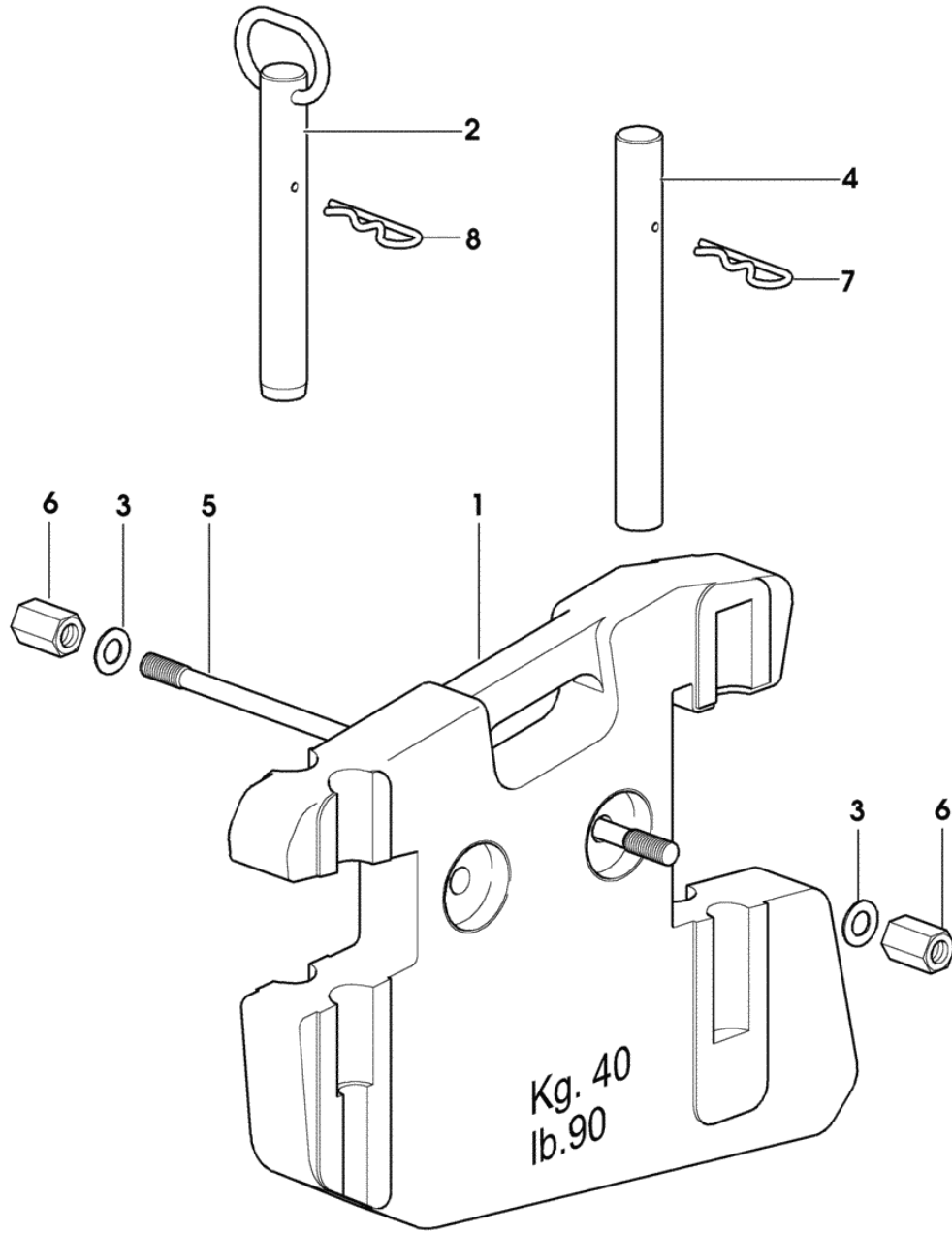


Fig.	Code	QTY	Name
1	0.96929.40.0/20	4	ballast 40 Kg - lb 90
2	0.96928.51.2	1	pin
3	2.1310.009.2	4	flat washer 15x28
4	0.96930.50.0	1	pin
5	0.96930.51.0/10	2	rod
6	2.1099.065.1	4	special nut m 14
7	2.1699.084.2	1	roll pin 27
8	2.1699.084.2	1	roll pin 27

9_49052_51_0_0

Section: ACCESSORY
FRONT BALLAST n. 8

Fig.	Code	QTY	Name
1	0.96929.40.0/20	8	ballast 40 Kg - lb 90
2	0.96928.51.2	1	pin
3	2.1310.009.2	4	flat washer 15x28
4	0.96930.50.0	1	pin
5	0.008.8749.0/10	2	rod
6	2.1099.065.1	4	special nut m 14
7	2.1699.084.2	1	roll pin 27
8	2.1699.084.2	1	roll pin 27

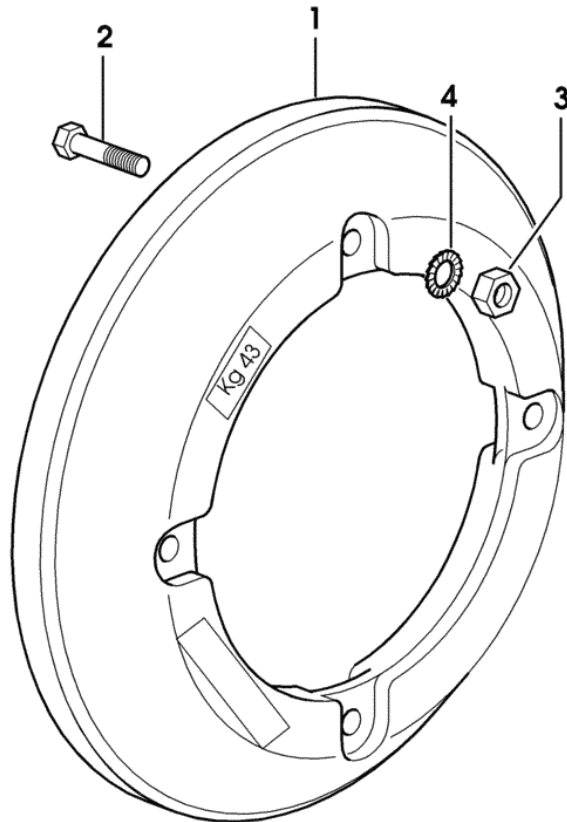


9_40552_52_0_0

Section: ACCESSORY

WHEEL BALLAST

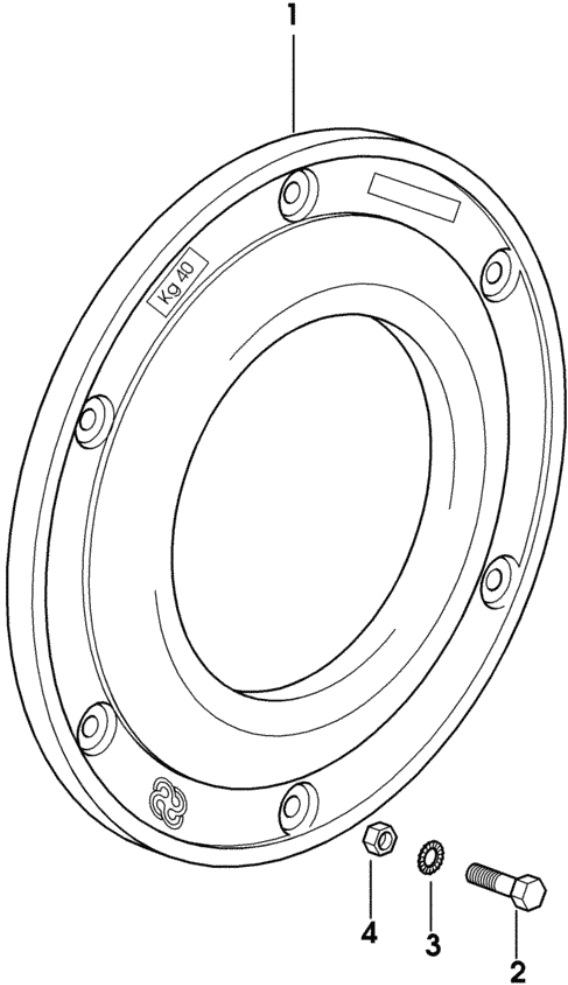
Fig.	Code	QTY	Name
1	0.135.5540.0/10	2	ballast 43 Kg
2	2.0122.623.2	8	screw m 16 p.1.5x70
3	2.1011.309.2	8	nut m 16 p.1.5
4	2.1470.009.2	8	lock washer 16



9_51155_91_0_0

Section: ACCESSORY
WHEEL BALLAST

Fig.	Code	QTY	Name
1	0.135.5574.0/10	2	ballast 40 Kg
2	2.0112.620.2	12	screw m 16 p.2x55
3	2.1470.009.2	12	lock washer 16
4	2.1011.409.2	12	nut m 16 p.1.5

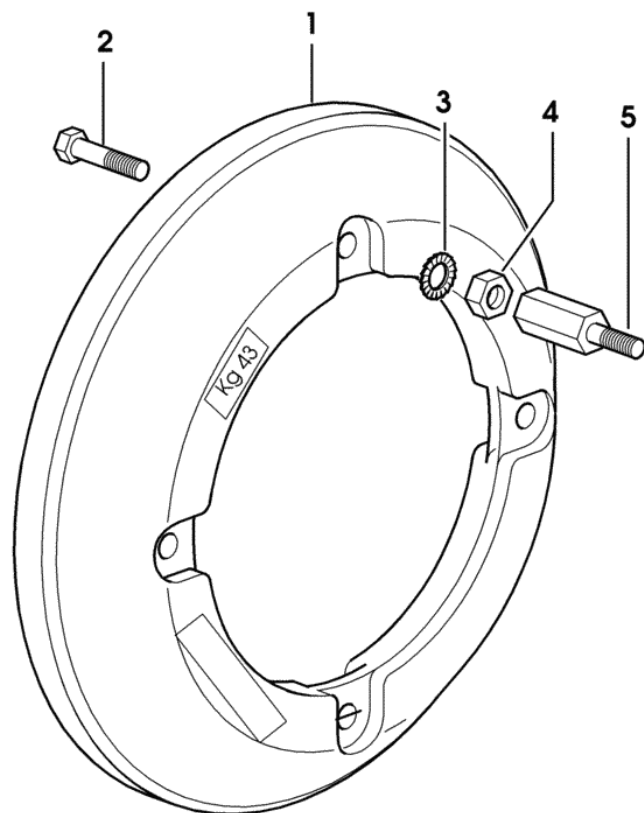


9_40555_91_0_0

Section: ACCESSORY

WHEEL BALLAST

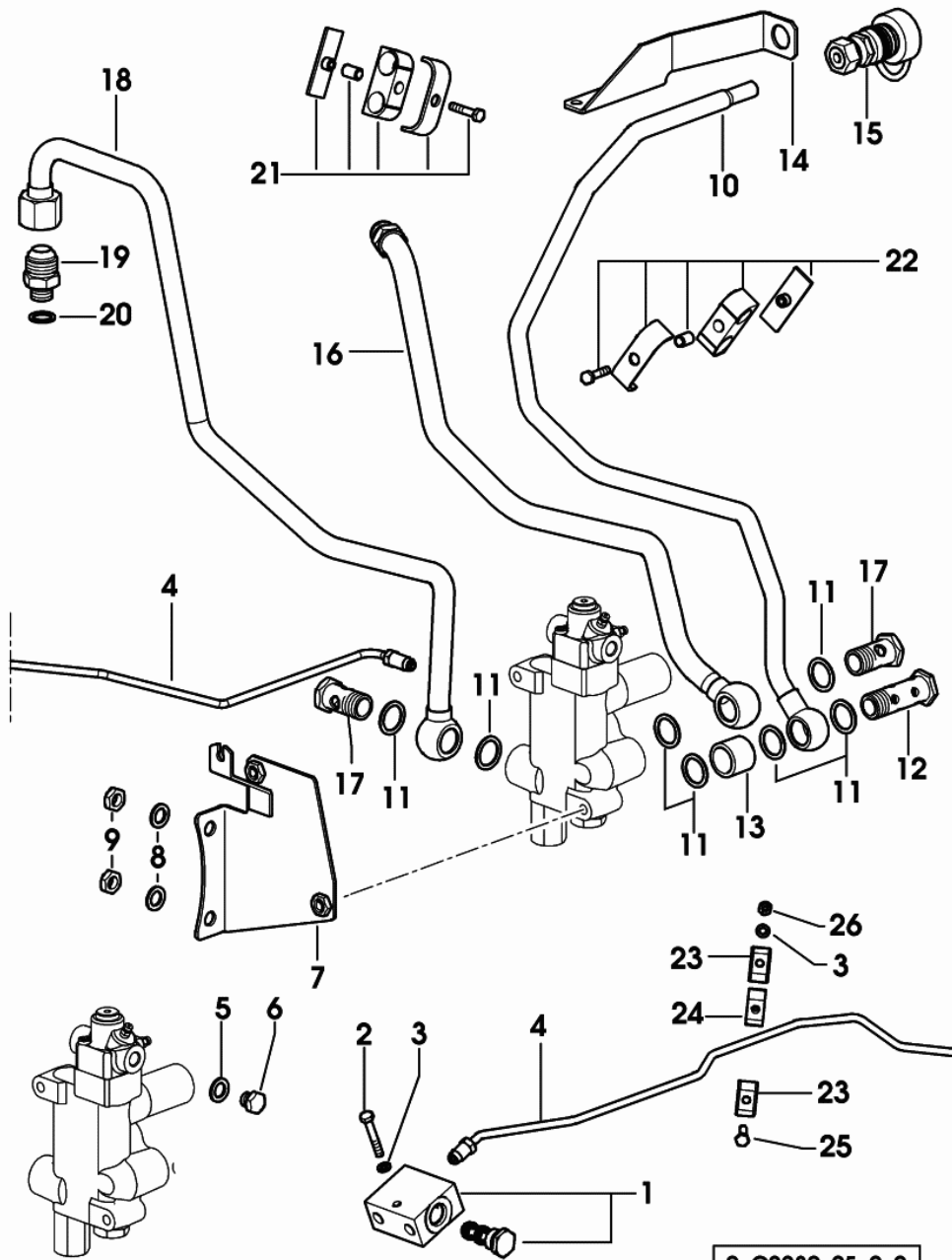
Fig.	Code	QTY	Name
1	0.135.5540.0/10	4	ballast 43 Kg
2	2.0122.623.2	8	screw m 16 p.1.5x70
3	2.1470.009.2	16	lock washer 16
4	2.1011.309.2	8	nut m 16 p.1.5
5	0.001.8527.0	8	small column



9_40555_90_0_0

Section: ACCESSORY

HYDRAULIC BREAKING FOR TRAILER



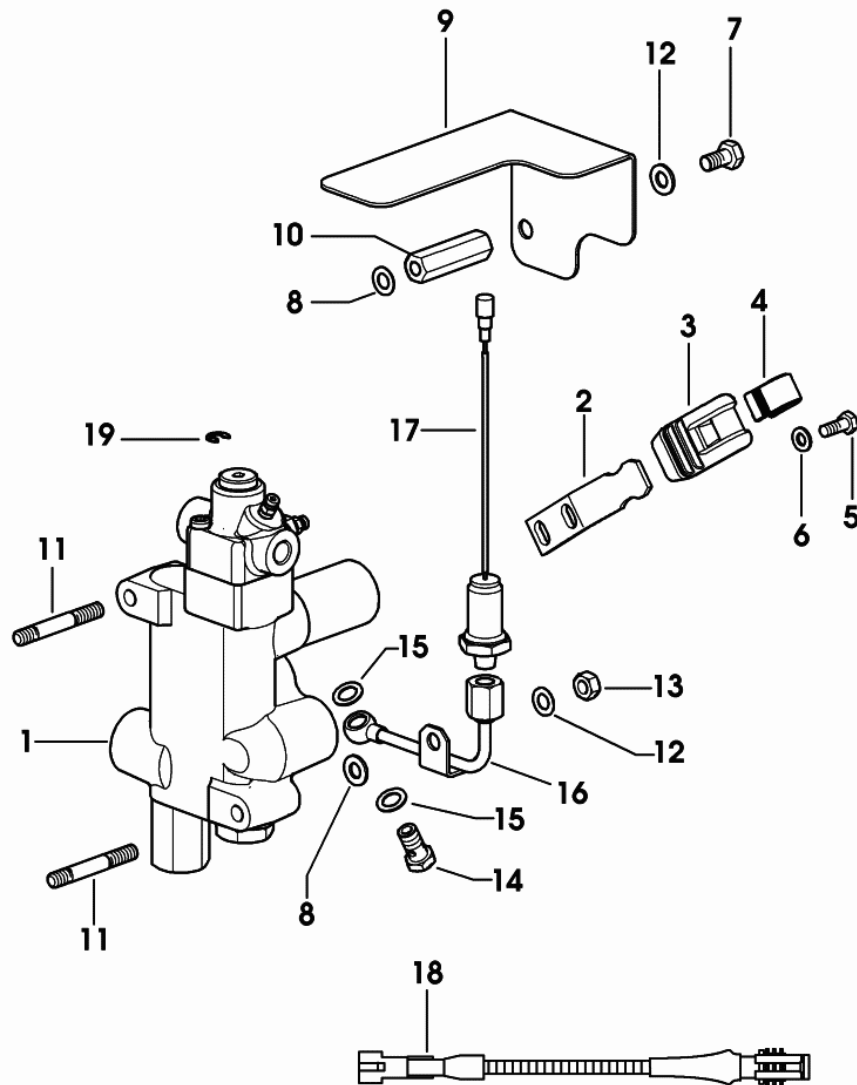
9_C2289_05_0_0

Fig.	Code	QTY	Name
1	0.007.6244.4/10	1	valve
2	2.0112.015.2	1	screw m 6 p.1x40
3	2.1470.002.2	2	lock washer 6
4	0.014.3101.3	1	tube
5	2.1560.008.0	1	gasket 12.2x18
6	2.3110.422.1	1	plug m 12 p.1.25x10
7	0.014.3104.3	1	bracket
8	2.1011.207.2	2	nut m 12 p.1.5
9	2.1470.007.2	2	lock washer 12
10	0.014.3099.3	1	tube
11	2.1560.018.0	7	gasket 22.2x29
12	2.3339.660.2	1	pipe union
13	2.1579.681.2	1	spacer 22.8x30x25
14	0.008.8620.0	1	support
15	0.97112.68.4/10	1	coupling
16	0.014.3098.3	1	tube
17	2.3335.009.2	2	pipe union m 22 p.1.5X39
18	0.014.3100.3	1	tube
19	2.3339.235.2	1	pipe fitting M 18 x 1" 1/16-12jic
20	2.1560.014.0	1	gasket 18.2x24x1.5
21	0.014.3197.4	1	terminal
22	0.014.3194.4	1	terminal
23	0.013.1566.0	2	small plate
24	0.013.1564.0	1	terminal
25	2.0112.009.2	1	screw m 6 p.1x25
26	2.1011.103.2	1	nut m 6 p.1

Section: ACCESSORY

HYDRAULIC BREAKING FOR TRAILER - ITALY -

Fig.	Code	QTY	Name
1	2.3719.810.0/10	1	valve ☞ 664 => 664
2	0.009.8859.0	1	lever
3	0.007.5561.0	1	knob
4	0.007.5562.0	1	coupling
5	2.0112.005.2	2	screw m 6 p.1x16
6	2.1310.002.2	2	flat washer 6.4x12.5
7	2.0112.205.2	1	screw m 8 p.1.25x16
8	2.1310.004.2	2	flat washer 8.4x16
9	0.014.3105.0	1	small sump
10	2.1549.621.2	1	spacer
11	2.0422.215.7	2	stud bolt m 8x50
12	2.1470.004.2	2	lock washer 8
13	2.1011.105.2	2	nut m 8 p.1.25
14	2.3335.004.2	1	pipe union m 10 p.1
15	2.1560.006.0	2	gasket 10.5
16	0.014.3102.3	1	tube
17	2.7099.960.0	1	pressure switch 11 Bar
18	0.014.1645.4	1	wire
19	2.1430.007.7	1	circlip 6

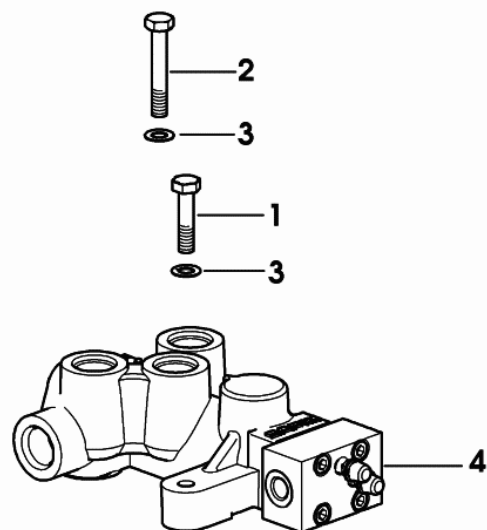


9_C2289_10_0_0

Section: ACCESSORY

HYDRAULIC BREAKING FOR TRAILER - EXPORT F

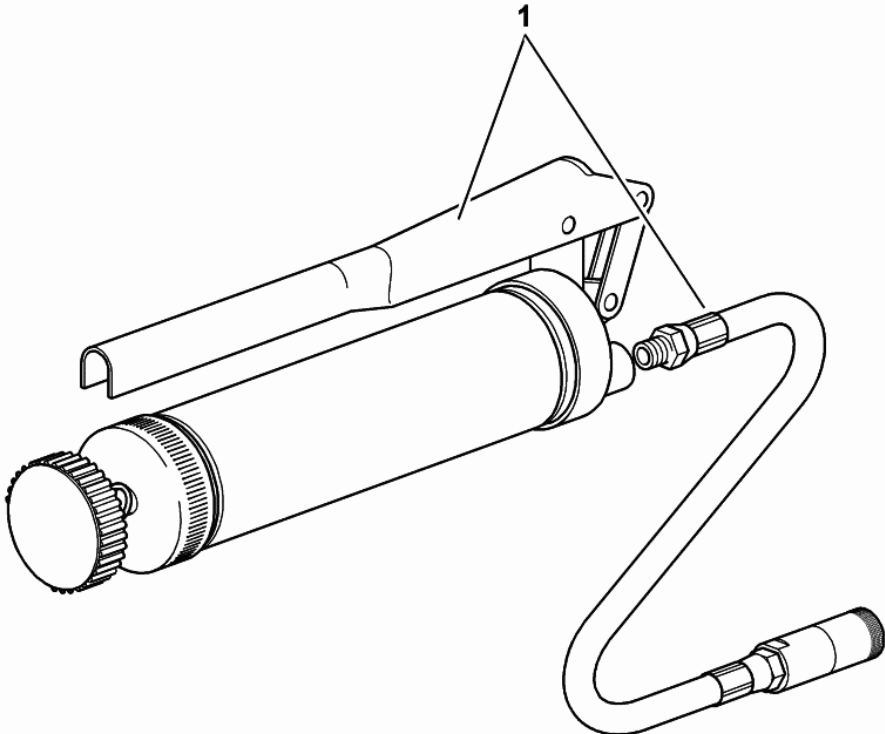
Fig.	Code	QTY	Name
1	2.0112.213.2	1	screw m 8 p.1.25x35
2	2.0112.219.2	1	screw m 8 p.1.25x50
3	2.1470.004.2	2	lock washer 8
4	2.3719.550.0/40	1	valve ☞ 665 => 665



9_C1389_00_0_0

Section: ACCESSORY
LUBRICATOR

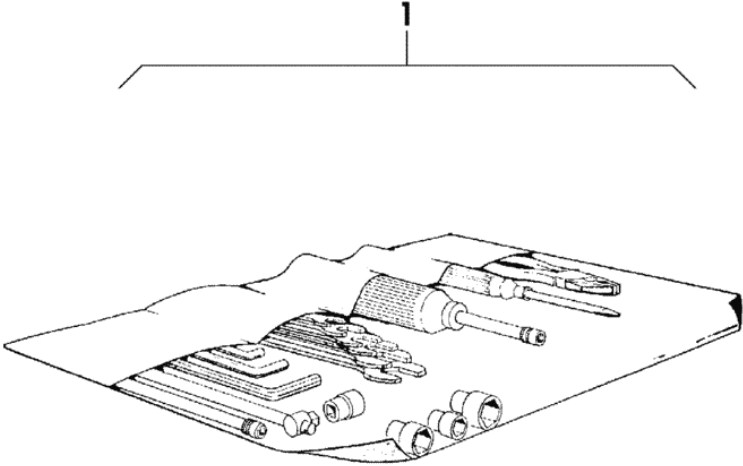
Fig.	Code	QTY	Name
1	0.011.6506.3	1	lubricator



9_59273_01_0_0

TOOL POUCH

Fig.	Code	QTY	Name
1	9.62073.11.0	1	small tool box



9_62073_11_0_0

EXPLORER 75 T

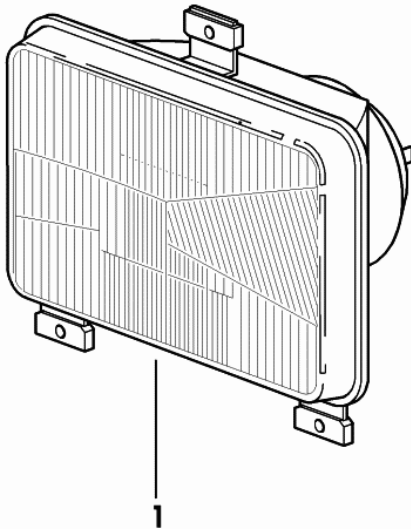
LIGHTING SYSTEM

HEADLAMP FOR LEFT-HAND DRIVE.....	421
HEADLAMP FOR RIGHT-HAND DRIVE.....	422
REAR LIGHT.....	423
WARNING BEACON.....	425
PREARRANGEMENT FOR WARNING BEACON - WITH FOLD-DOWN ROPS.....	426
PREARRANGEMENT FOR WARNING BEACON - WITH FOLD-DOWN ROPS.....	426.1
PREARRANGEMENT FOR WARNING BEACON.....	427
LICENCE PLATE LIGHT.....	428
DASHBOARD BOX INSTRUMENT PANEL.....	429
BATTERY 12V 100Ah 450A.....	430
BATTERY 12V 100Ah 500A.....	431
STARTER.....	432
ALTERNATOR 65 A.....	433
ALTERNATOR MOUNTINGS 65A.....	434
ELECTRICAL EQUIPMENT FRONT.....	435
CENTRAL WIRING LOOM.....	436
CENTRAL WIRING LOOM.....	437
ELECTRICAL EQUIPMENT REAR.....	438
ELECTRICAL EQUIPMENT REAR.....	439
4WD - ENGAGEMENT CONTROL.....	441
SWITCH.....	442

Section: LIGHTING SYSTEM

HEADLAMP FOR LEFT-HAND DRIVE

Fig.	Code	QTY	Name
1	2.8029.770.0/30	2	lamp ☞ 623 => 623

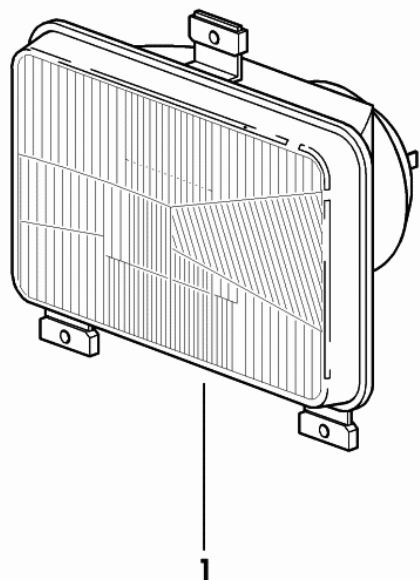


9_62085_22_0_0

Section: LIGHTING SYSTEM

HEADLAMP FOR RIGHT-HAND DRIVE

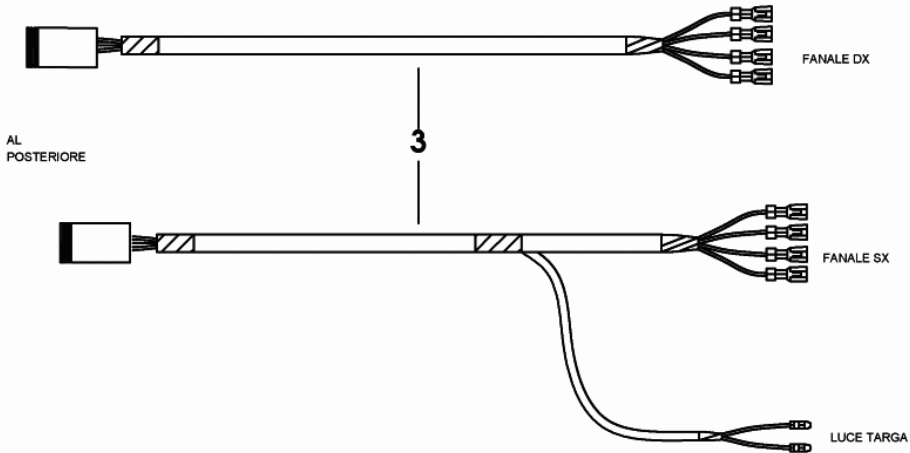
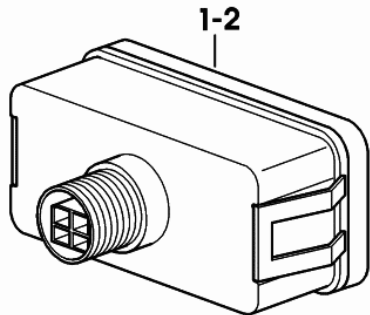
Fig.	Code	QTY	Name
1	2.8029.760.0/30	2	lamp ☞ 624 => 624



9_62085_20_0_0

Section: LIGHTING SYSTEM
REAR LIGHT

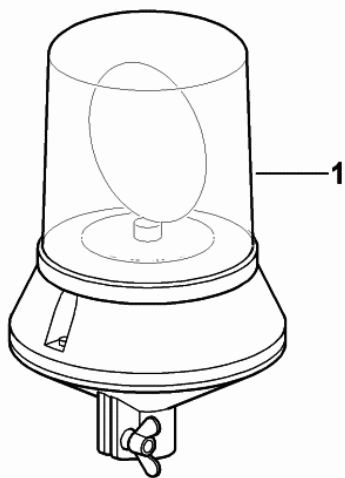
Fig.	Code	QTY	Name
1	2.8059.090.0	1	side lamp dx ☞ 625 => 625
2	2.8059.080.0	1	side lamp sx ☞ 626 => 626
3	0.014.1641.4/10	1	wire



Section: LIGHTING SYSTEM

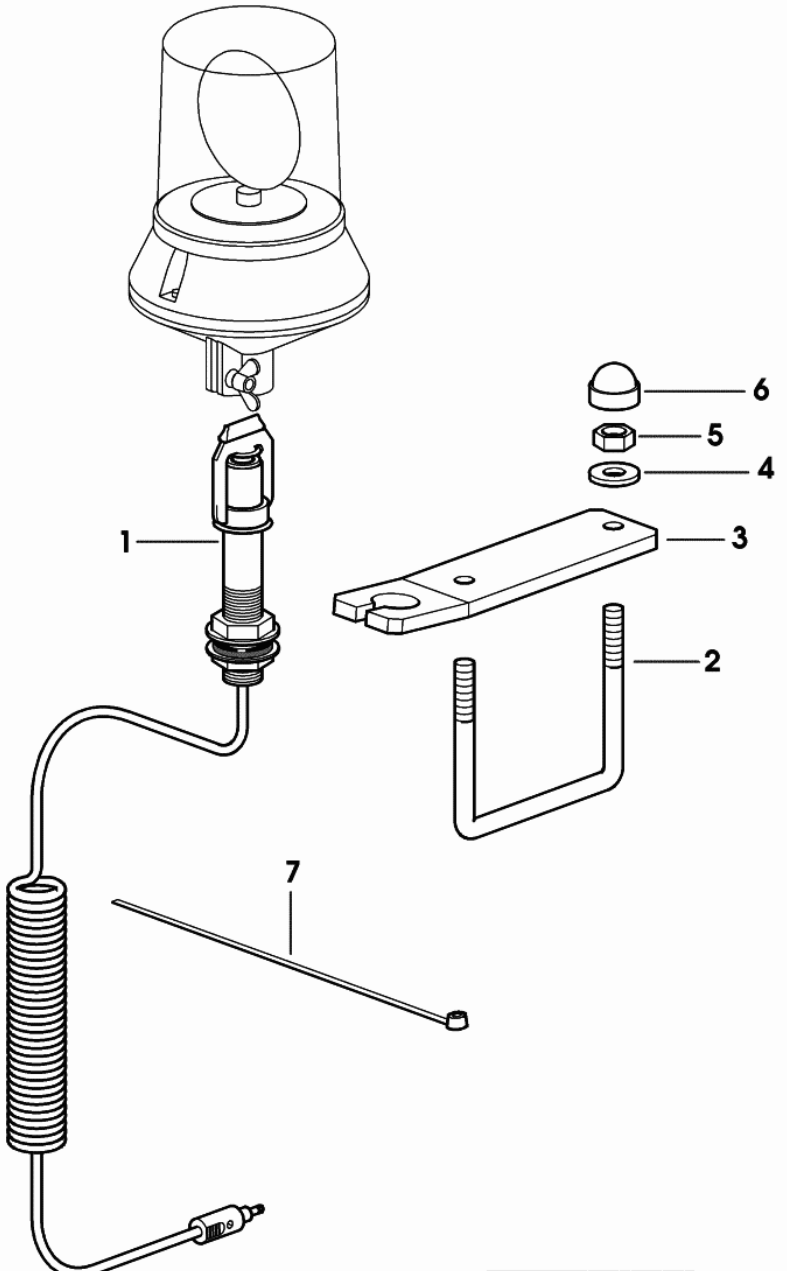
WARNING BEACON

Fig.	Code	QTY	Name
1	0.009.6758.4/10	1	headlight ☞ 629 => 629



9_62085_24_0_0

PREARRANGEMENT FOR WARNING BEACON - WITH FOLD-DOWN ROPS



9_51178_02_0_0

Fig.	Code	QTY	Name
1	0.011.7840.4	1	support ☞ 630 => 630
2	0.012.9085.0	1	u bolt
3	0.012.9086.0	1	bracket
4	2.1310.004.2	2	flat washer 8.4x16
5	2.1071.004.0	2	special nut m 8 p.1.25
6	0.163.7856.0	2	cap
7	2.6852.203.0	5	clamp

Section: LIGHTING SYSTEM
PREARRANGEMENT FOR WARNING BEACON - WITH FOLD-DOWN ROPS

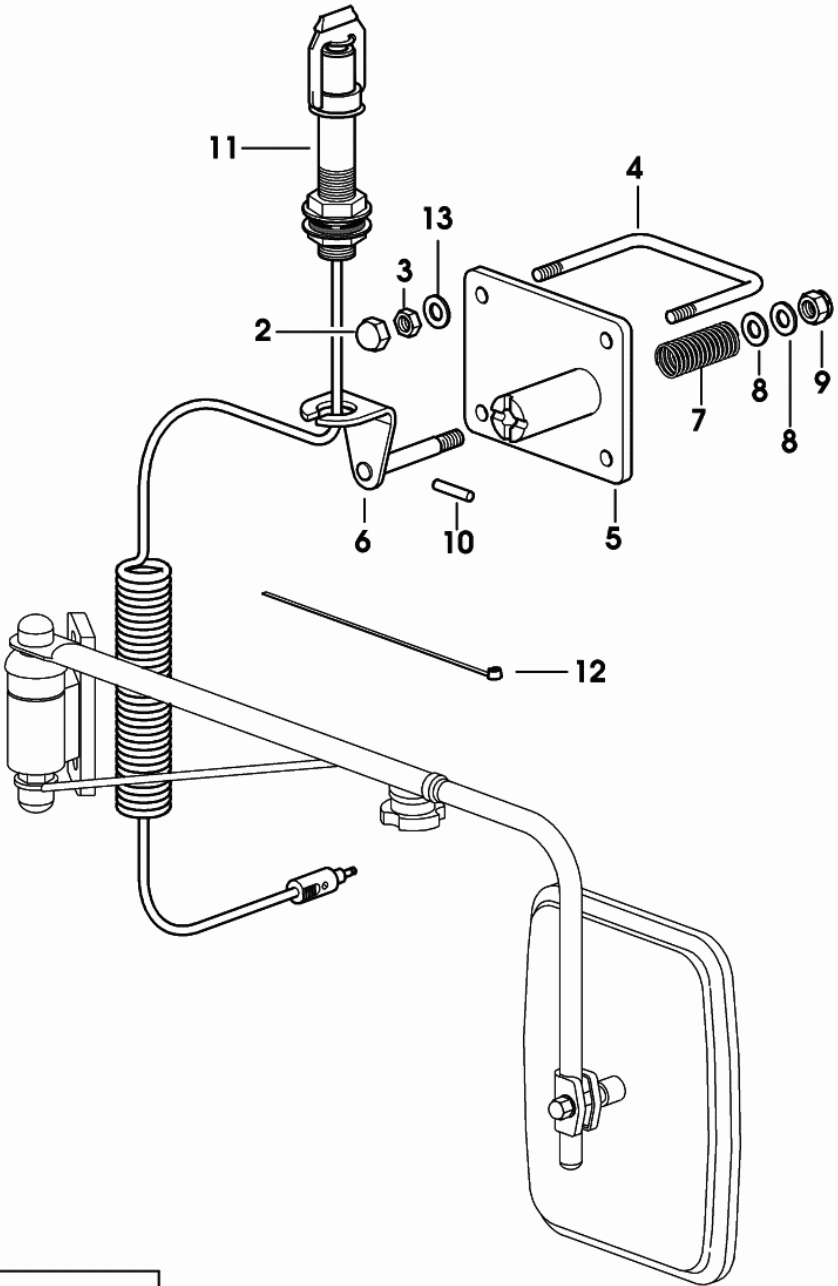
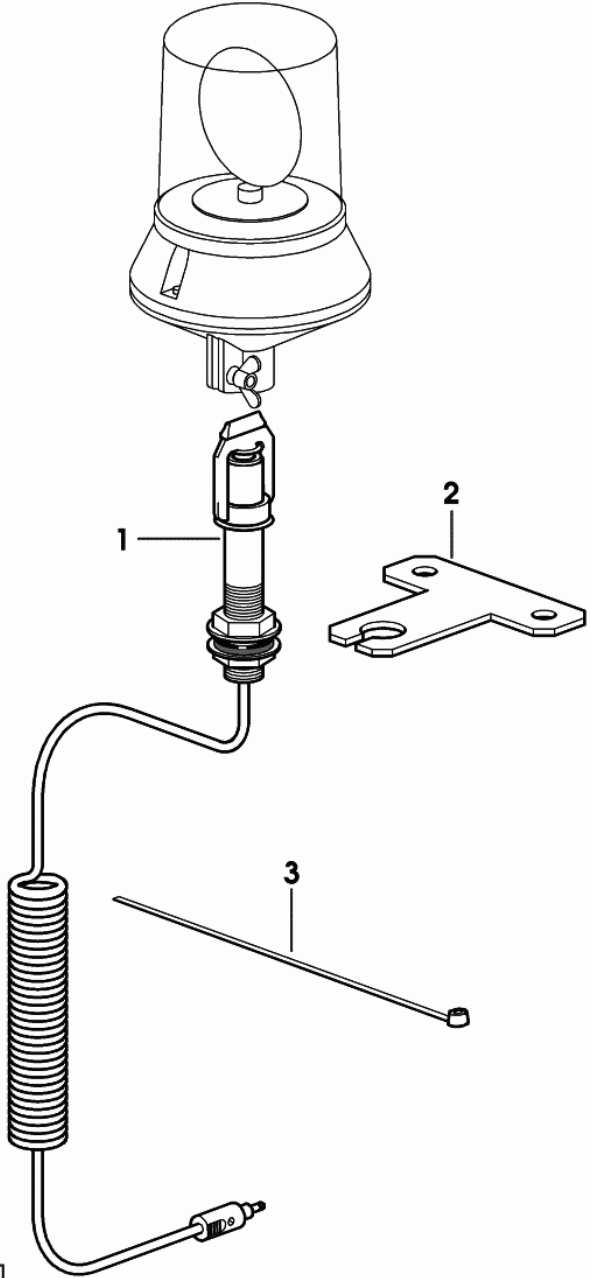


Fig.	Code	QTY	Name
2	0.163.7856.0	4	cap
3	2.1011.105.2	4	nut m 8 p.1.25
4	0.014.0116.0	2	u bolt
5	0.014.0487.2/10	1	support
6	0.014.0492.2/10	1	support
7	2.4019.611.2	1	spring
8	2.1310.006.2	2	flat washer 10.5x20
9	2.1120.006.2	1	nut m 10 p.1.5
10	2.1651.312.2	1	pin 4x28
11	0.011.7840.4	1	support ↖ 630 => 630
12	2.6852.203.0	3	clamp
13	2.1310.004.2	4	flat washer 8.4x16

9_20176_65_0_B

Section: LIGHTING SYSTEM
PREARRANGEMENT FOR WARNING BEACON

Fig.	Code	QTY	Name
1	0.011.7840.4	1	support ☞ 630 => 630
2	0.011.7743.0	1	square
3	2.6852.203.0	5	clamp

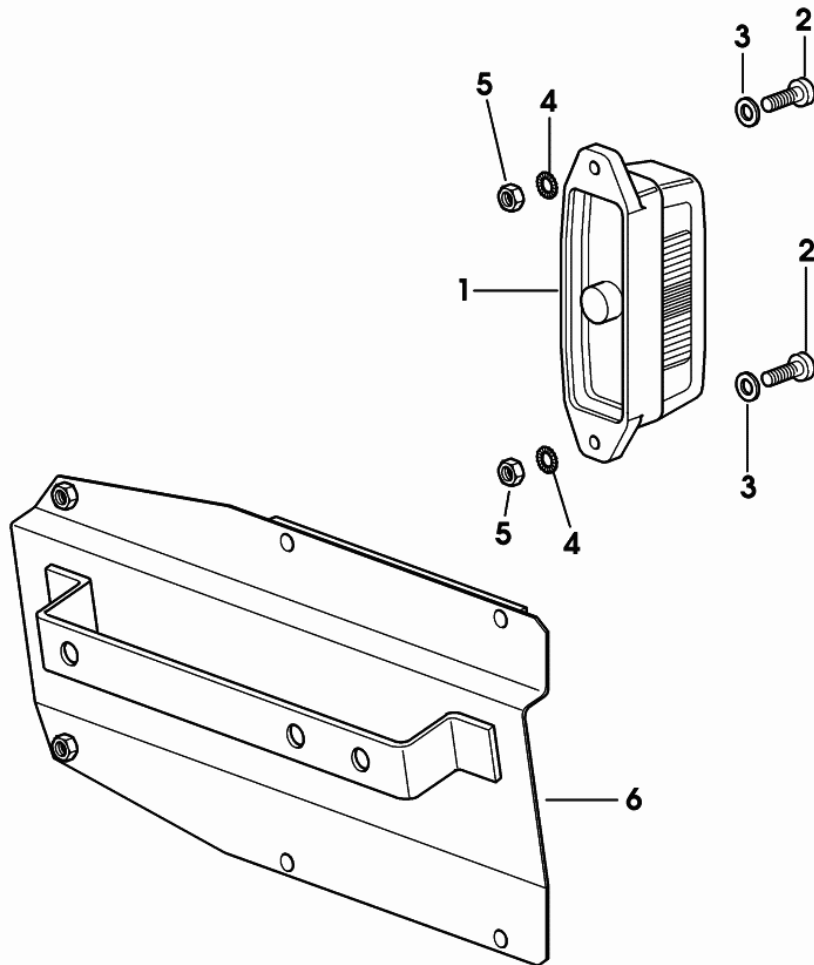


9_58978_03_0_0

Section: LIGHTING SYSTEM

LICENCE PLATE LIGHT

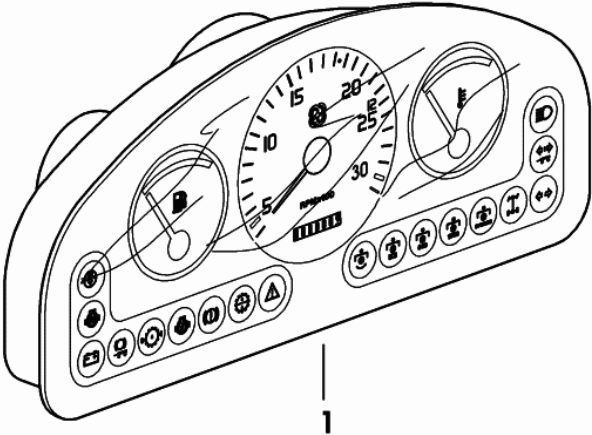
Fig.	Code	QTY	Name
1	2.8029.240.0/10	1	side lamp ☞ 631 => 631
2	2.0332.306.2	2	screw m 5x16
3	2.1310.001.2	2	flat washer 5.3x10
4	2.1470.001.2	2	lock washer 5
5	2.1011.102.2	2	nut m 5 p.0.7
6	0.008.3958.2	1	plate holder



9_49085_31_0_0

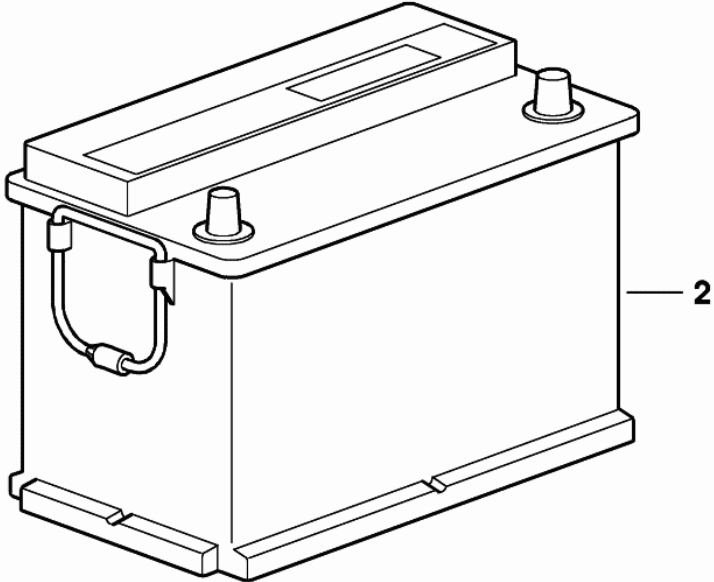
Section: LIGHTING SYSTEM
DASHBOARD BOX INSTRUMENT PANEL

Fig.	Code	QTY	Name
1	2.8339.073.0	1	multimeter ↳ 632 => 632



Section: LIGHTING SYSTEM
BATTERY 12V 100Ah 450A

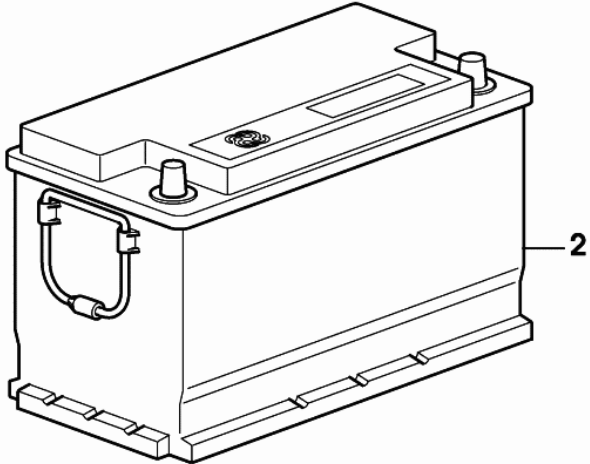
Fig.	Code	QTY	Name
2	2.9559.052.0	1	battery 12V 100Ah 450A



9_40584_10_0_0

Section: LIGHTING SYSTEM
BATTERY 12V 100Ah 500A

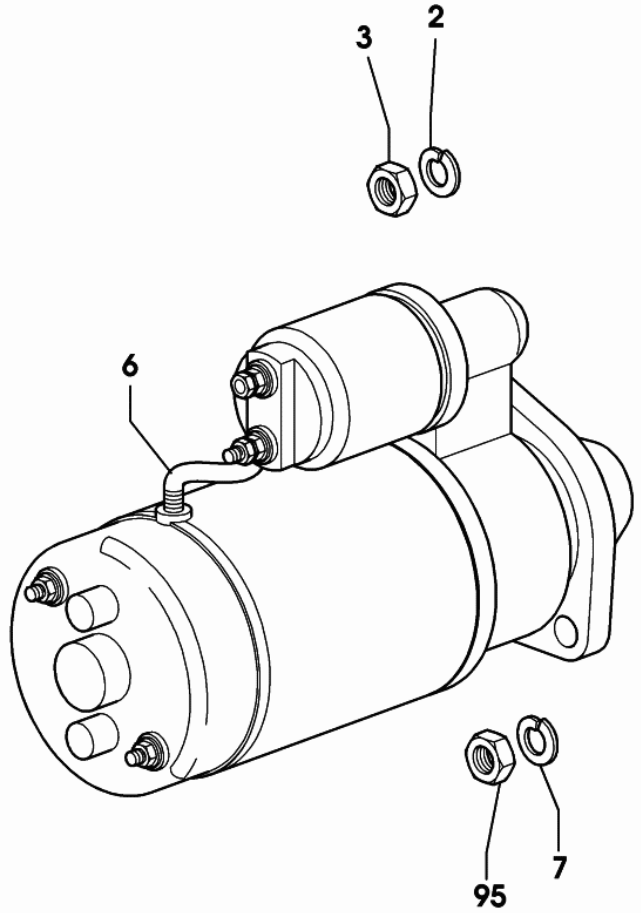
Fig.	Code	QTY	Name
2	2.9559.051.0	1	battery 12V 100Ah 500A



9_40584_11_0_0

Section: LIGHTING SYSTEM
STARTER

Fig.	Code	QTY	Name
2	2.1470.007.2	1	lock washer 12
3	2.1011.422.2	1	nut m 12 p.1.25
6	2.9619.390.0	1	starter motor BOSCH 3 KW ☞ 633 => 633
7	2.1470.006.2	1	lock washer 10
95	2.1011.106.2	1	nut m 10 p.1.5

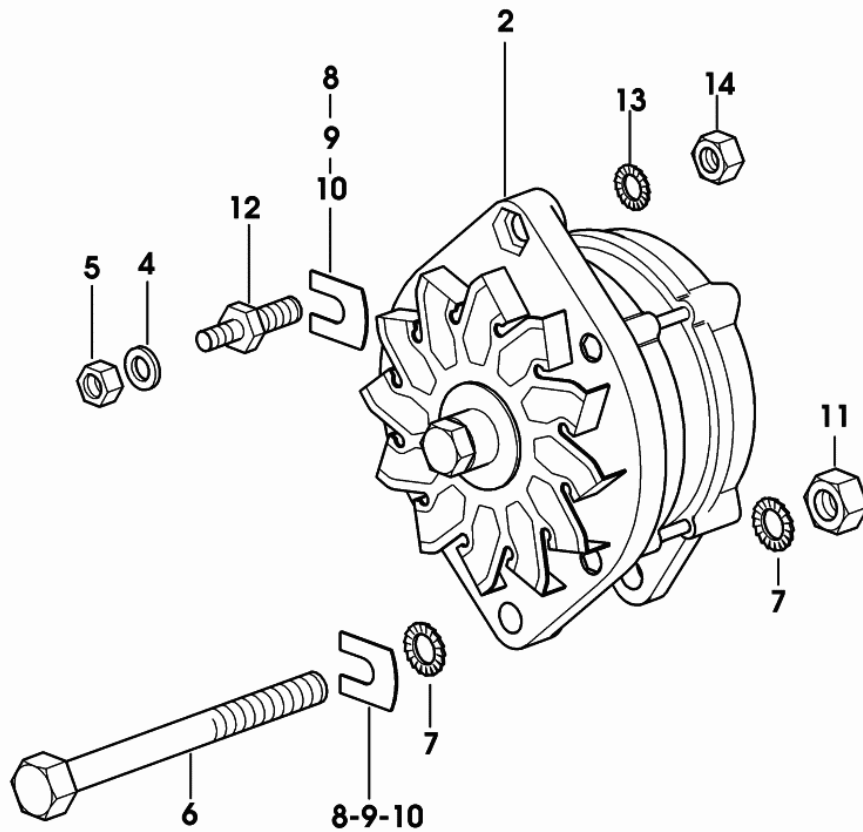


9_51184_09_0_0

Section: LIGHTING SYSTEM

ALTERNATOR 65 A

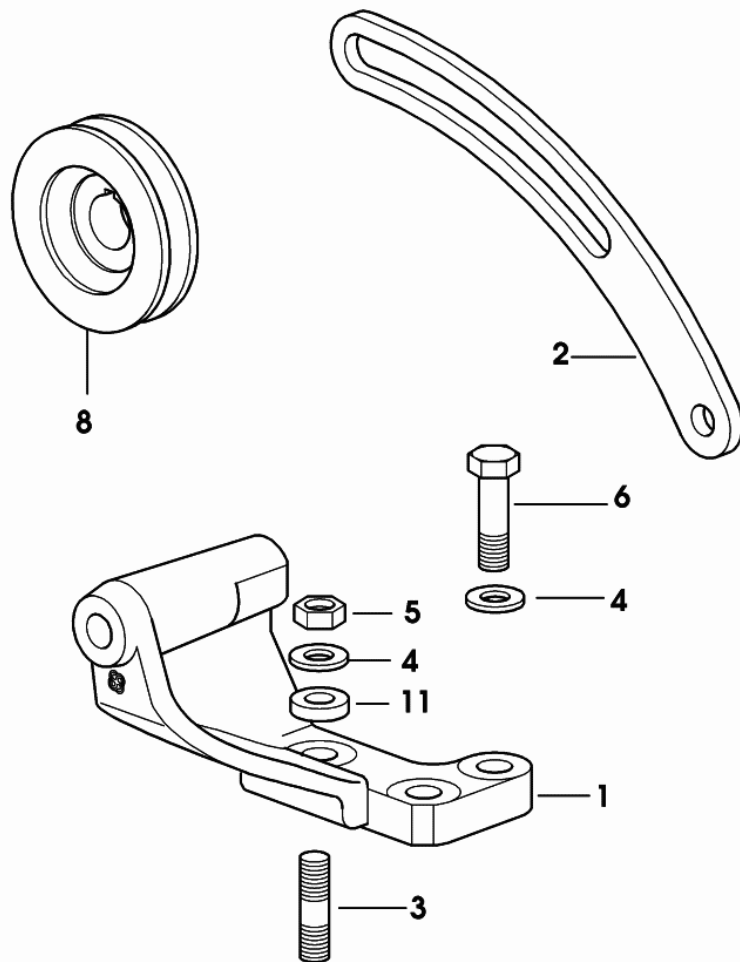
Fig.	Code	QTY	Name
2	2.9439.420.0/10	1	alternator 14V - 65A - ISKRA ☞ 634 => 634
4	2.1579.774.2	1	spacer 8.4x12x6.5
5	2.1011.105.2	1	nut m 8 p.1.25
6	2.0122.483.2	1	screw m 12x120
7	2.1470.007.2	2	lock washer 12
8	0.167.8460.0	2	register mm 3
9	0.167.8461.0	2	register mm 1
10	0.167.8462.0	2	register mm 2
11	2.1011.422.2	1	nut m 12 p.1.25
12	2.0439.211.2/10	1	screw m 10x20
13	2.1470.006.2	1	lock washer 10
14	2.1011.106.2	1	nut m 10 p.1.5



Section: LIGHTING SYSTEM

ALTERNATOR MOUNTINGS 65A

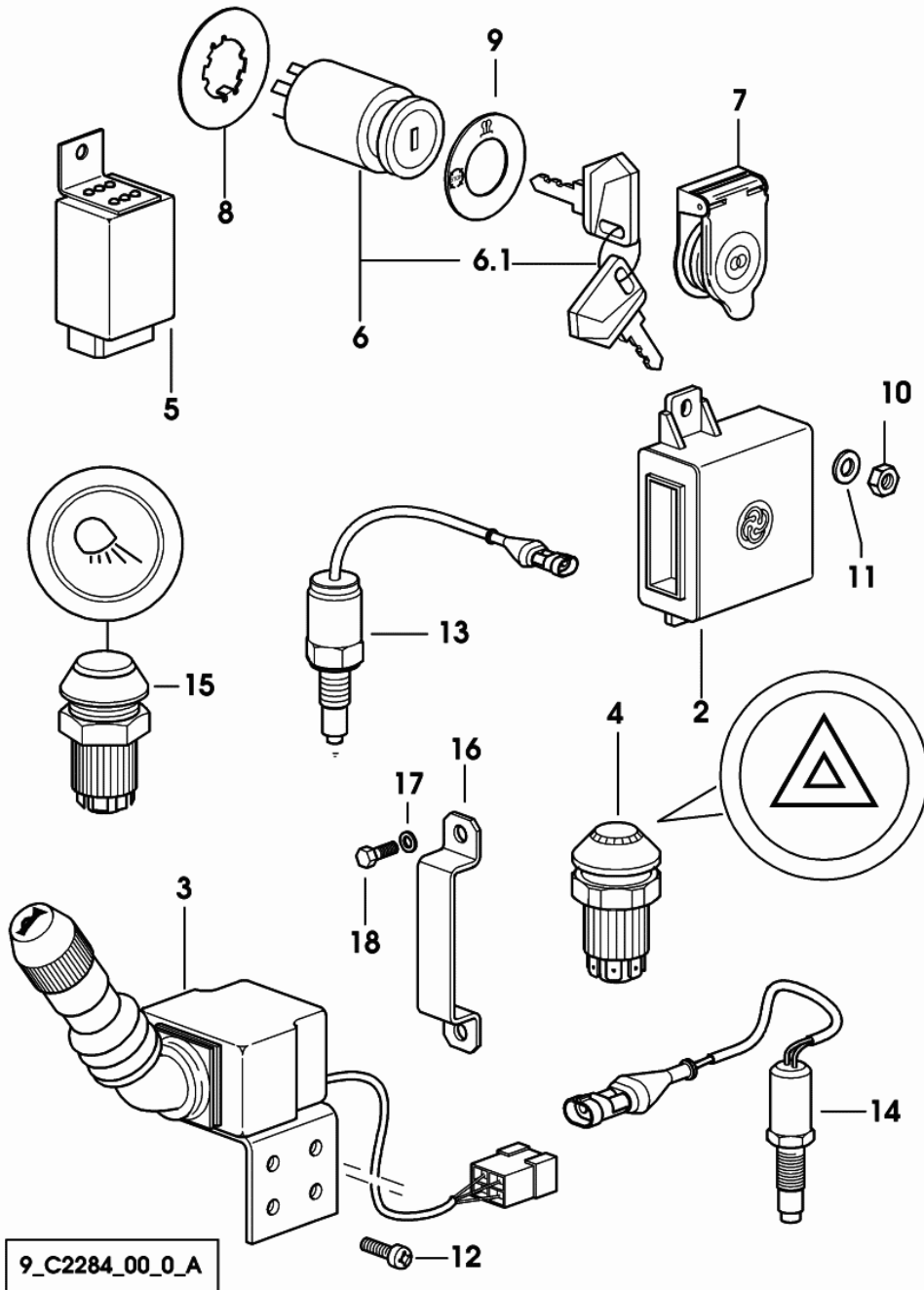
Fig.	Code	QTY	Name
1	0.261.8441.0/10	1	support
2	0.261.8442.0	1	bracket
3	2.0432.159.7	2	stud bolt m 10 p.1.5-1.25x35
4	2.1470.006.2	3	lock washer 10
5	2.1011.421.2	2	nut M10x1.25
6	2.0112.313.2	1	screw m 10 p.1.5x35
8	0.013.4612.0	1	pulley
11	2.1579.901.2	2	spacer 12x20x5



9_B8584_01_0_0

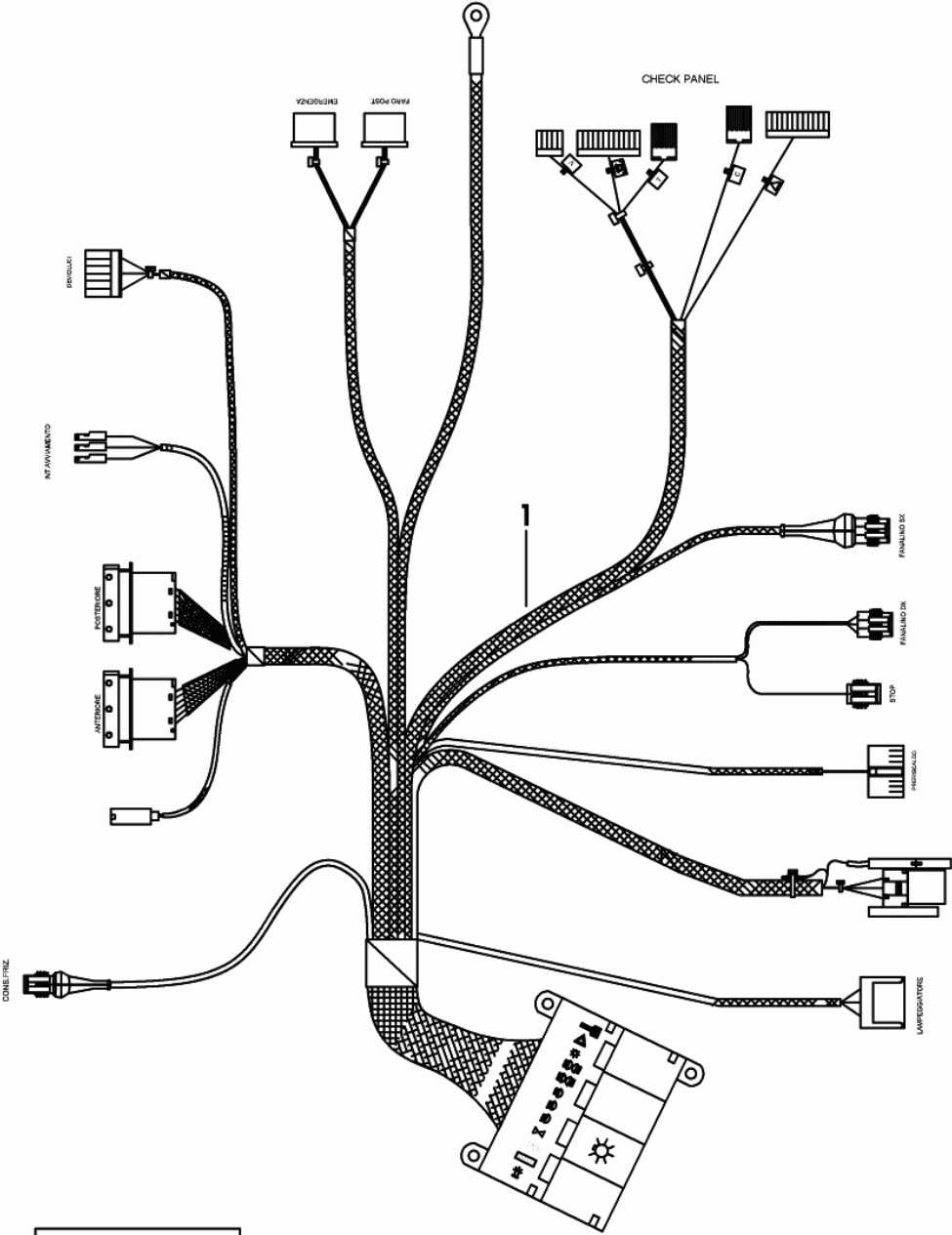
Section: LIGHTING SYSTEM
CENTRAL WIRING LOOM

Fig.	Code	QTY	Name
2	2.8519.031.0	1	control box
3	0.010.1173.4/30	1	switch
4	2.7659.110.0	1	push-button
5	2.8639.007.0/10	1	blinker
6	04411512.4	1	switch
6.1	04418435	1	ignition key
7	0.012.2056.2	1	small cover
8	0.011.4625.0	1	washer
9	0.010.0492.0/20	1	plate
10	2.1011.102.2	2	nut m 5 p.0.7
11	2.1310.001.2	2	flat washer 5.3x10
12	2.0322.307.6	2	screw
13	2.7659.246.0	1	switch
14	2.7659.227.0	1	switch
15	2.7659.109.0	1	push-button
16	0.014.2769.0	1	bracket
17	2.1470.002.2	2	lock washer 6
18	2.0112.002.2	2	screw m 6 p.1x10



Section: LIGHTING SYSTEM
CENTRAL WIRING LOOM

Fig.	Code	QTY	Name
1	0.014.1640.4/20	1	electrical system ☞ 635 => 635



9_C2284_00_0_b

Section: LIGHTING SYSTEM

ELECTRICAL EQUIPMENT REAR

9_C2285_00_0_A

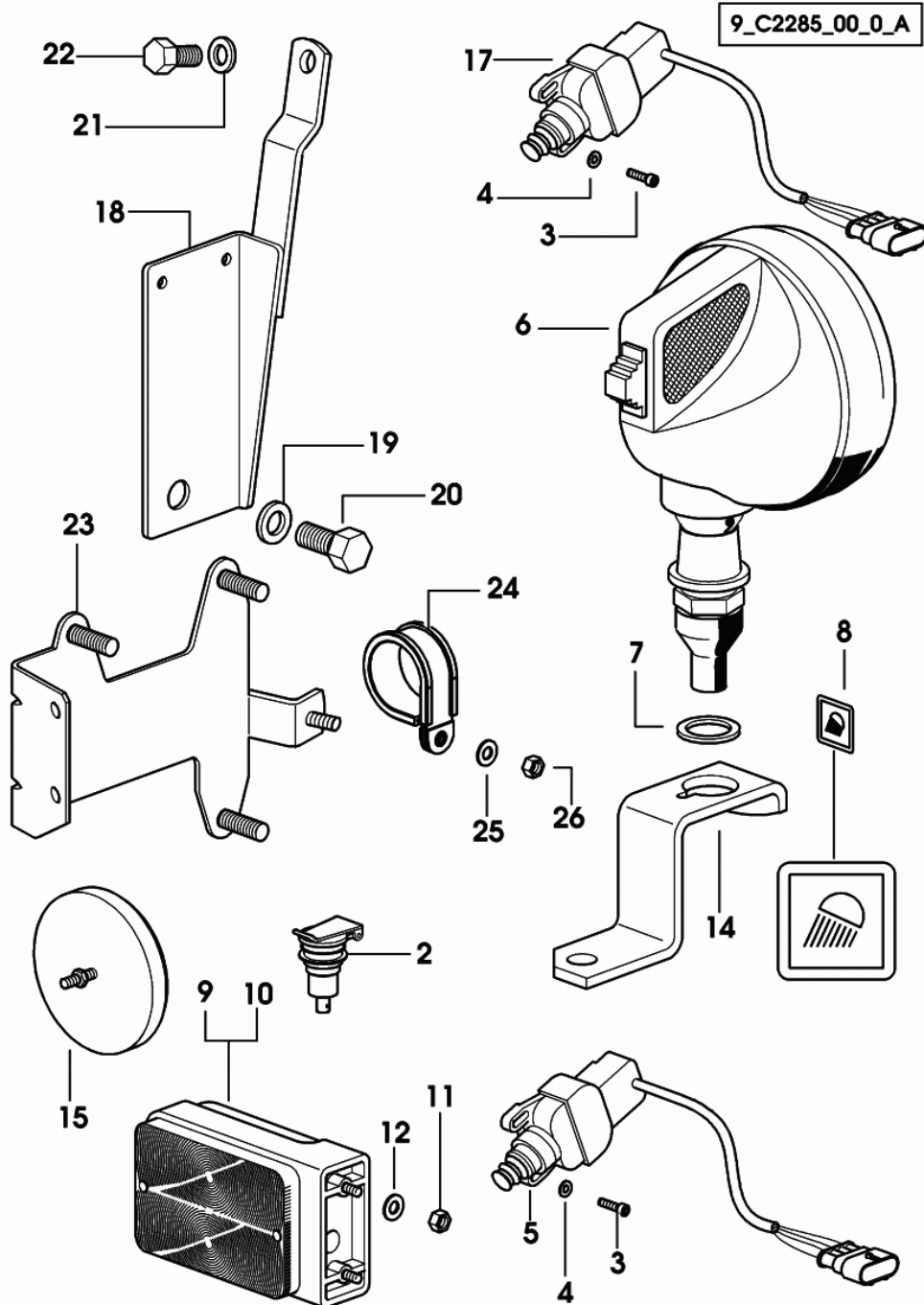
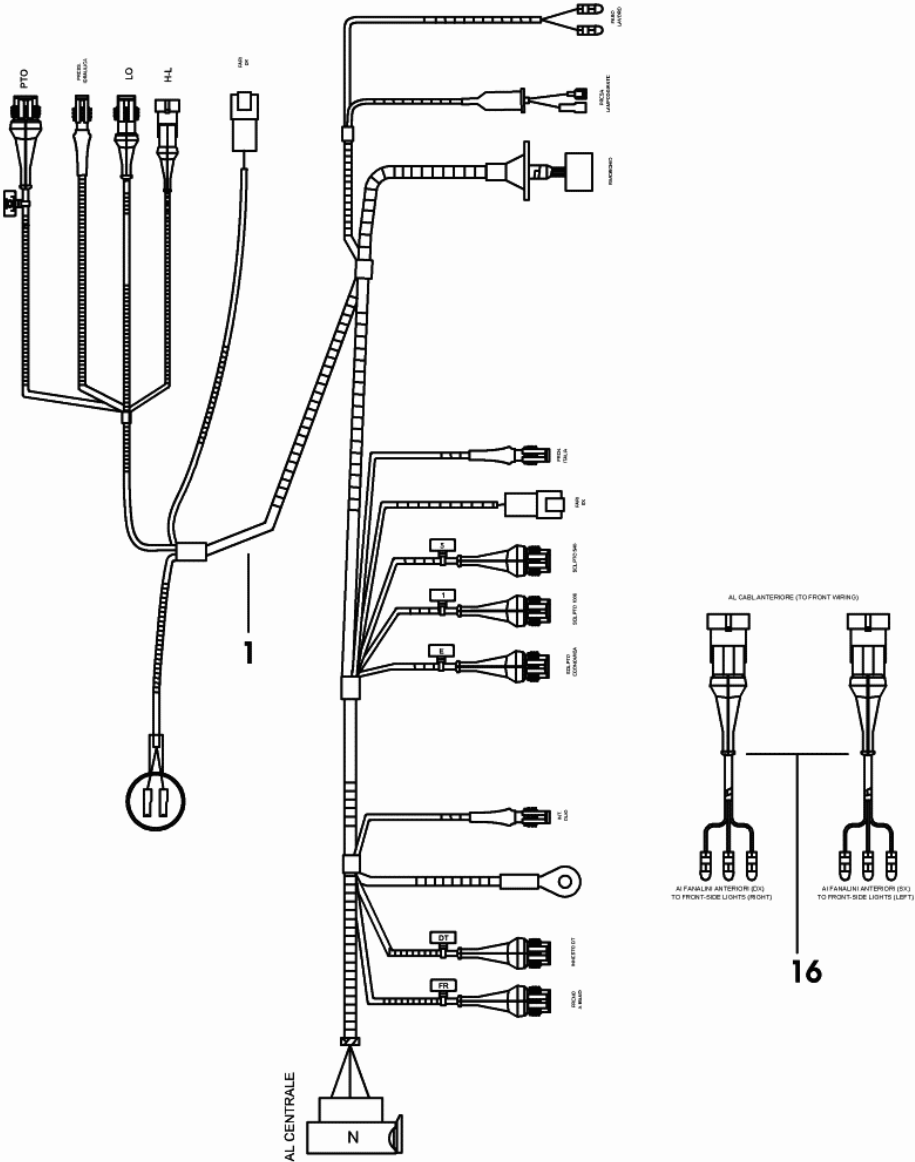


Fig.	Code	QTY	Name
2	0.008.1550.0	1	socket
3	2.0119.070.6	8	screw m 4x16
4	2.1310.028.2	8	flat washer 4.3x9
5	2.7659.202.0	1	switch
6	2.8029.300.0	1	headlight ☞ 636 => 636
7	2.1312.005.2	1	washer 11x30
8	2.9929.703.0	1	plate
9	2.8019.960.0	1	side lamp sx ☞ 637 => 637
10	2.8019.970.0	2	side lamp dx ☞ 638 => 638
11	2.1011.102.2	4	nut m 5 p.0.7
12	2.1310.001.2	4	flat washer 5.3x10
14	0.008.8681.0	1	support
15	2.8349.002.2/30	2	reflector
17	2.7659.096.0/10	3	switch
18	0.014.2644.2/10	1	bracket
19	2.1470.007.2	1	lock washer 12
20	2.0112.409.2	1	screw m 12 p.1.75x25
21	2.1470.004.2	1	lock washer 8
22	2.0112.205.2	1	screw m 8 p.1.25x16
23	0.014.3327.3	1	bracket
24	2.6839.069.0	1	clamp 40/20
25	2.1310.002.2	1	flat washer 6.4x12.5
26	2.1011.103.2	1	nut m 6 p.1

Section: LIGHTING SYSTEM
ELECTRICAL EQUIPMENT REAR

Fig.	Code	QTY	Name
1	0.014.1639.4/30	1	electrical system
16	0.014.1643.4	1	wire ☞ 639 => 639

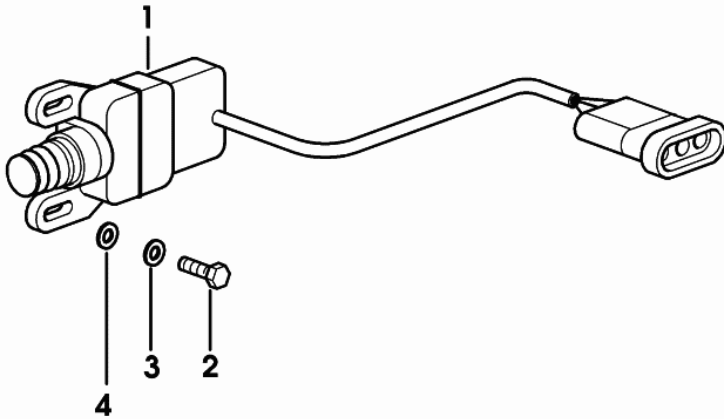


9_C2285_00_0_B

Section: LIGHTING SYSTEM

4WD - ENGAGEMENT CONTROL

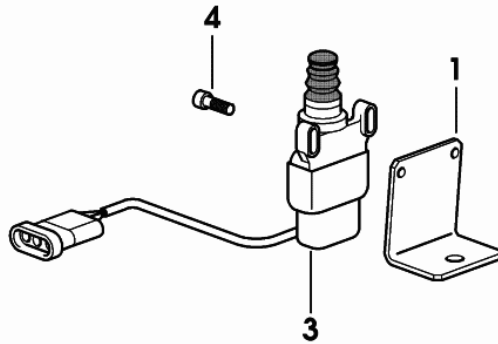
Fig.	Code	QTY	Name
1	2.7659.096.0/10	1	switch
2	2.0332.205.2	2	screw m 4x14
3	2.1310.028.2	2	flat washer 4.3x9
4	2.1470.052.2	2	lock washer 4



9_62084_13_0_0

Section: LIGHTING SYSTEM
SWITCH

Fig.	Code	QTY	Name
1	0.010.4717.0	1	support
3	2.7659.096.0/10	1	switch
4	2.0332.206.2	2	screw M4x0,7X16



9_A8166_02_0_0

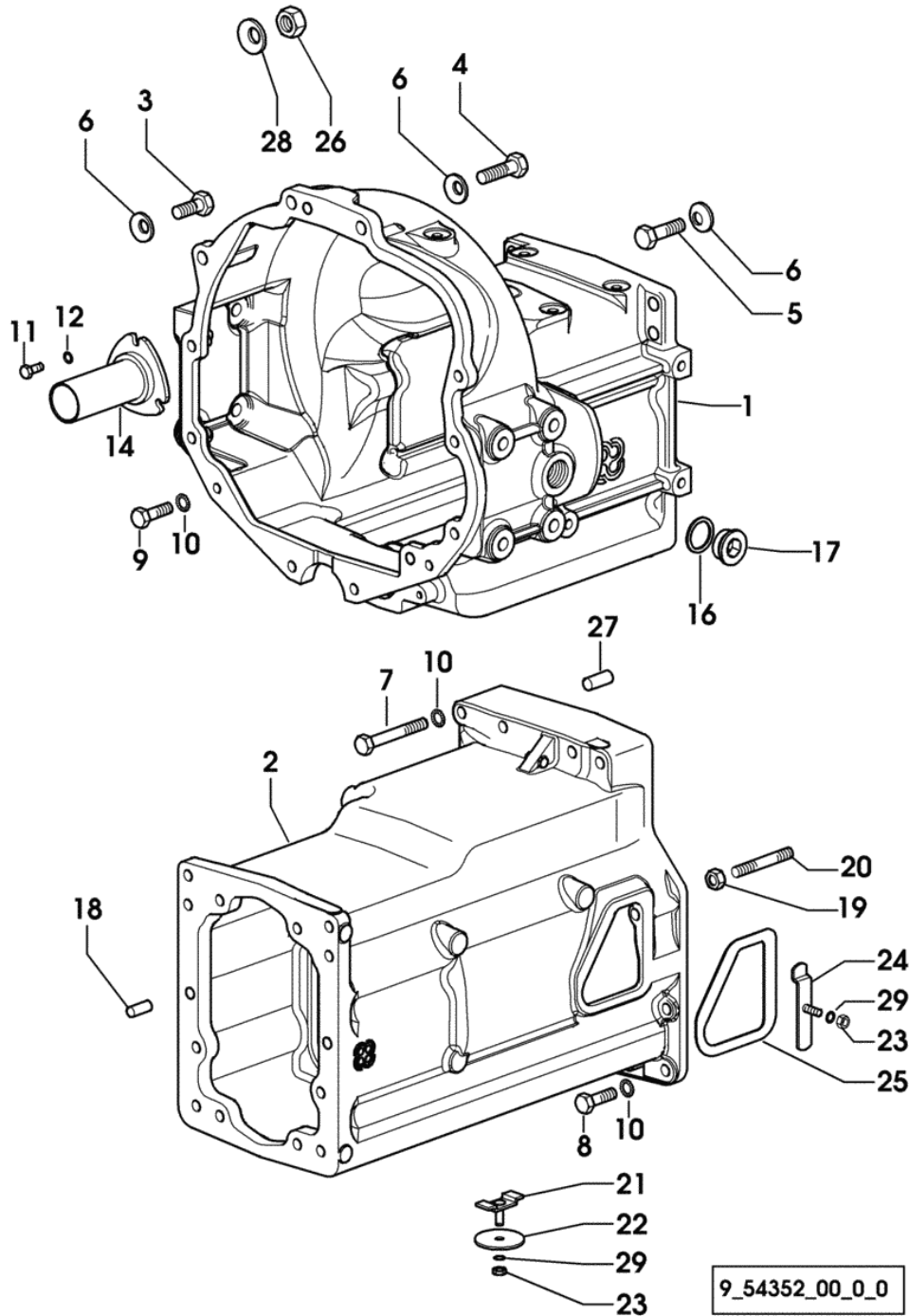
EXPLORER 75 T

FRONT AXEL

JUNCTION CASE.....	185
4WD - FRONT SUPPORT.....	187
2WD - COMPLETION.....	189
4WD - FRONT SUPPORT.....	190
2WD - EXTENDIBLE AXLE.....	192
2WD - EXTENDIBLE AXLE.....	193
2WD - FRONT BRAKES.....	194
2WD - POWER STEERING CYLINDER.....	195
4WD - FRONT DRIVE AXLE.....	196
FLANGE.....	198
4WD - FRONT DRIVE AXLE.....	199
4WD - FRONT BRAKES 40 Km/h.....	200
4WD - FRONT BRAKES 30 Km/h.....	201
BRAKE PIPES 2wd.....	203
BRAKE PIPES 4wd.....	204
GUARD PLATE 2wd.....	206
4WD - POWER STEERING CYLINDER.....	207
4WD - BEVEL WHEEL GEAR 30 Km/h.....	209
4WD - BEVEL WHEEL GEAR 40 Km/h.....	211
4WD - DIFFERENTIAL LOCK CONTROL-MECHANICAL.....	213
DIFFERENTIAL.....	214
DIFFERENTIAL WATER PROOF.....	215
4WD - AXLESHAFTS.....	218
4WD - AXLESHAFTS WATER PROOF.....	219
FRONT WHEEL HUB COVER.....	223
4WD - DIFFERENTIAL LOCK CONTROL-MECHANICAL.....	224
DIFFERENTIAL LOCK CONTROL.....	225
4WD - TRANSMISSION SHAFT.....	228
4WD - ENGAGEMENT CONTROL.....	229
4WD - ENGAGEMENT CONTROL.....	230
4WD - TRANSMISSION SHAFT.....	232

Section: FRONT AXEL
JUNCTION CASE

Fig.	Code	QTY	Name
1	0.011.5091.0/10	1	clutch housing
2	0.007.3540.0/30	1	clutch housing
3	2.0112.513.2	6	screw m 14 p.2x35
4	2.0112.519.2	2	screw m 14 p.2x50
5	2.0112.517.2	12	screw m 14 p.2x45
6	2.1475.005.7	20	spring washer 15x27
7	2.0112.427.2	8	screw m 12 p.1.75x90
8	2.0112.415.2	4	screw m 12 p.1.75x40
9	2.0112.419.2	4	screw m 12 p.1.75x50
10	2.1470.007.2	17	lock washer 12
11	2.0112.207.2	3	screw m 8 p 1.25x20
12	2.1310.004.2	3	flat washer 8.4x16
14	0.255.5220.2/20	1	flange
16	2.1560.026.0	1	gasket 35.3x41
17	2.3199.002.2	1	plug 1 gas
18	2.1651.912.0	2	cylindrical plug 12x28
19	2.1011.107.2	1	nut m 12 p.1.75
20	2.0422.422.7	1	stud bolt m 12x85
21	0.007.3545.2	1	bracket
22	0.007.3546.0	1	plug
23	2.1011.105.2	2	nut m 8 p.1.25
24	0.007.3565.2	1	bracket
25	0.007.3564.0	1	gasket
26	2.1011.410.2	4	nut m 18 p.1.5
27	2.1699.035.0	2	pin 14x35
28	2.1475.007.7	8	washer 19.4x36
29	2.1470.004.2	2	lock washer 8



Section: FRONT AXEL
4WD - FRONT SUPPORT

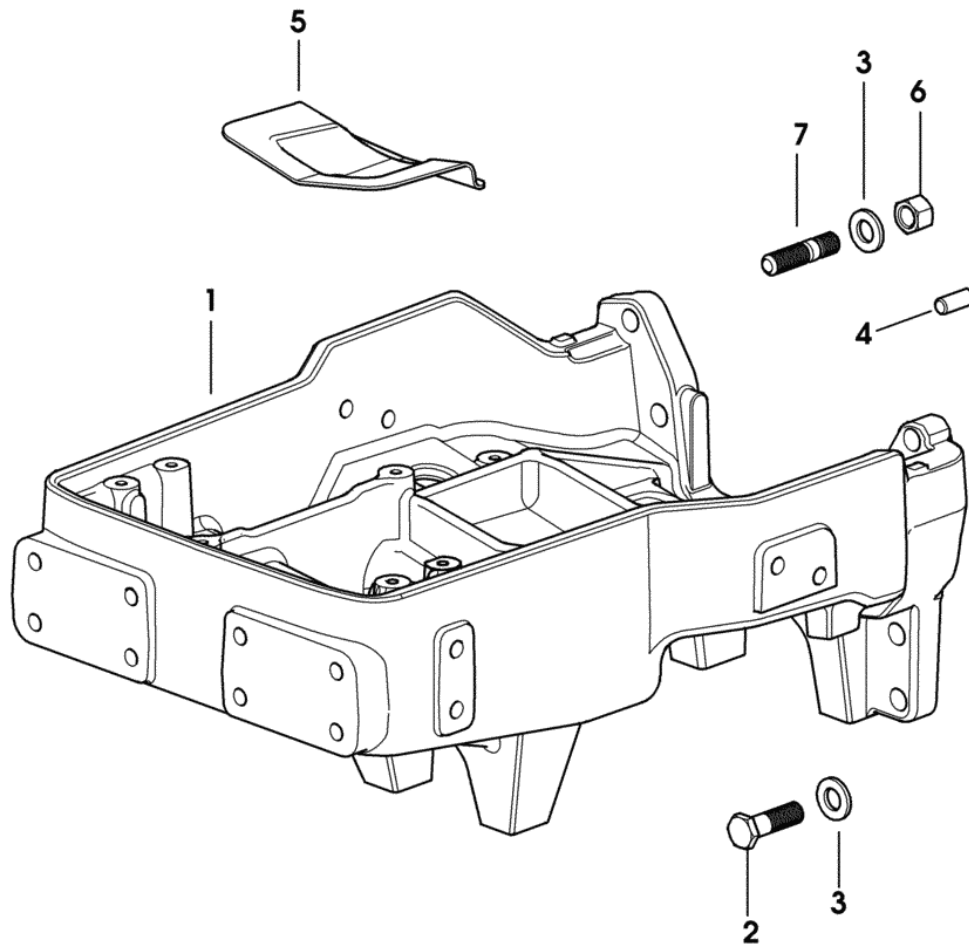
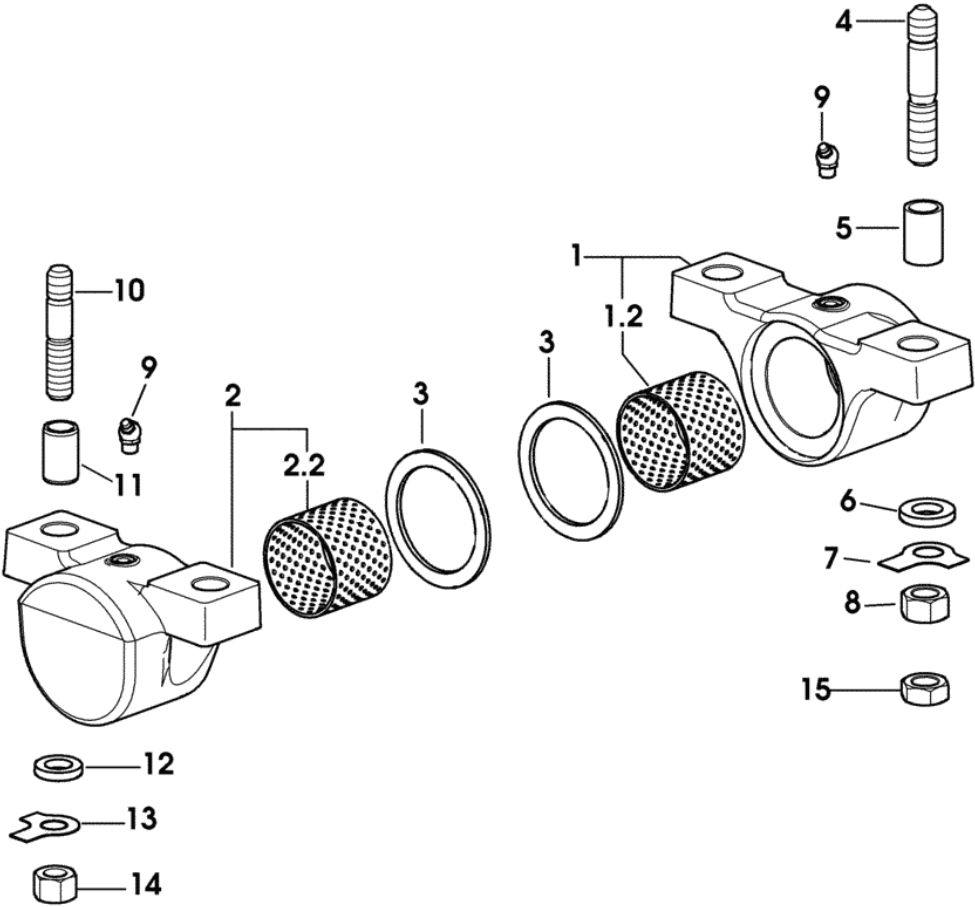


Fig.	Code	QTY	Name
1	0.013.5620.0/20	1	front support
2	2.0112.721.2	4	screw m 18 p.2.5x60
3	2.1475.007.7	8	washer 19.4x36
4	2.1699.035.0	2	pin 14x35
5	0.013.9626.0/10	1	division
6	2.1019.060.2	4	special nut m 18 p.1.5
7	2.0432.516.7	4	stud bolt m 18 p.2.5-1.5x55

Section: FRONT AXEL
2WD - COMPLETION

Fig.	Code	QTY	Name
------	------	-----	------

Notes:
 -> 1142 X EXPLORER 75T -> 1131 X EXPLORER 85T -> 1160 X EXPLORER 95T



1	0.013.6877.3/10	1	support
1.2	0.013.6872.0	1	bushing 60x65x50
2	0.013.6876.3/10	1	support
2.2	0.013.6872.0	1	bushing 60x65x50
3	0.013.6875.0	2	shoulder
4	2.0432.521.7	2	stud bolt m 18 p.1.5x80
5	2.1559.010.0	2	bushing 18.5x24x35
6	2.1599.030.0	2	snoulder 19x35x6
7	2.1340.011.0	2	lock-tab 19
8	2.1011.410.2	2	nut m 18 p.1.5
9	2.3821.103.2	2	lubricator m 10 p.1
10	2.0432.418.7	2	stud bolt m 16 p.2-1.5x65
11	2.1559.030.0	2	bushing 16.5x22x35
12	2.1599.029.0	2	snoulder 17x30x6
13	2.1340.010.0	2	lock-tab 17
14	2.1011.309.2	2	nut m 16 p.1.5
15	2.1011.510.2	2	nut m 18 p.1.5

9_C2352_04_0_0

Section: FRONT AXEL
4WD - FRONT SUPPORT

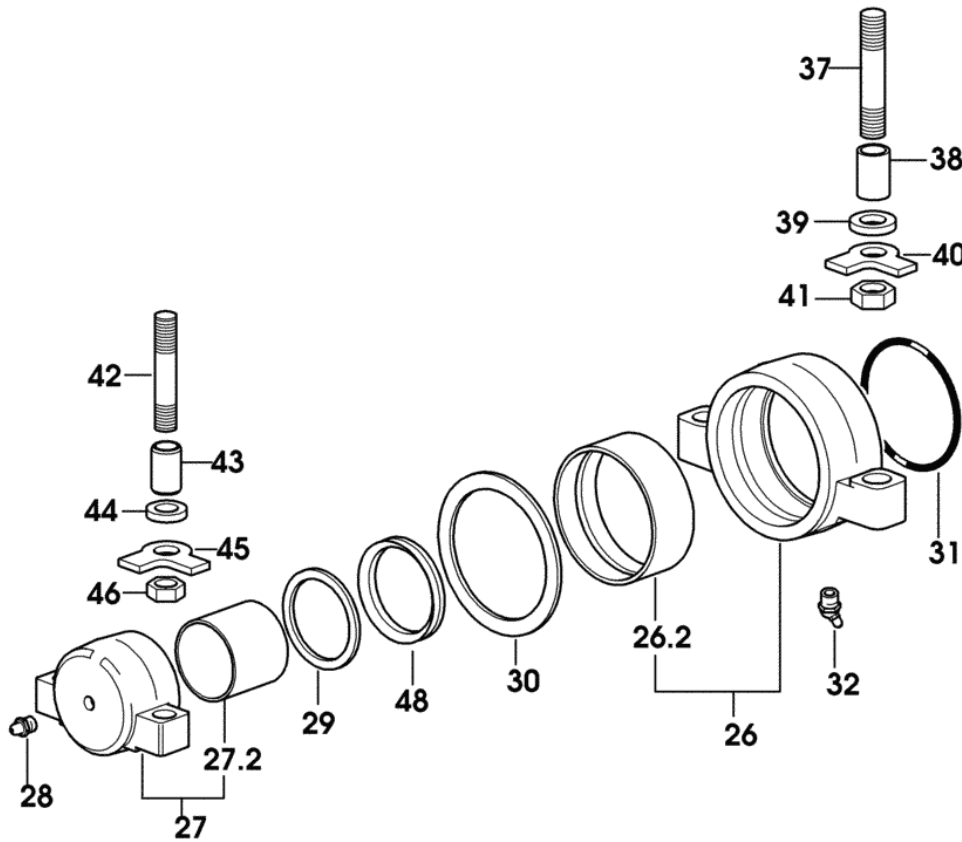


Fig.	Code	QTY	Name
26	0.146.5233.3/30	1	support
26.2	2.1559.455.0	1	bushing 100x106x40
27	0.146.5232.3/20	1	support
27.2	2.1559.458.0	1	bushing 50x55x40
28	2.3820.105.2	1	lubricator m 10 p.1x7
29	2.1599.870.0	1	snoulder 69x55x4
30	2.1599.004.0	1	snoulder 101x125x4
31	2.1530.205.0	1	'o' ring 101.2x5.34
32	2.3821.103.2	1	lubricator m 10 p.1
37	2.0432.518.7	2	stud bolt m 18 p.2.5-1.5x65
38	2.1559.010.0	2	bushing 18.5x24x35
39	2.1599.030.0	2	snoulder 19x35x6
40	2.1340.011.0	2	lock-tab 19
41	2.1011.310.2	2	nut m 18 p.1.5
42	2.0432.418.7	2	stud bolt m 16 p.2-1.5x65
43	2.1559.030.0	2	bushing 16.5x22x35
44	2.1599.029.0	2	snoulder 17x30x6
45	2.1340.010.0	2	lock-tab 17
46	2.1011.309.2	2	nut m 16 p.1.5
48	2.1535.026.0	1	'o' ring 58x68x9

Section: FRONT AXEL
2WD - EXTENDIBLE AXLE

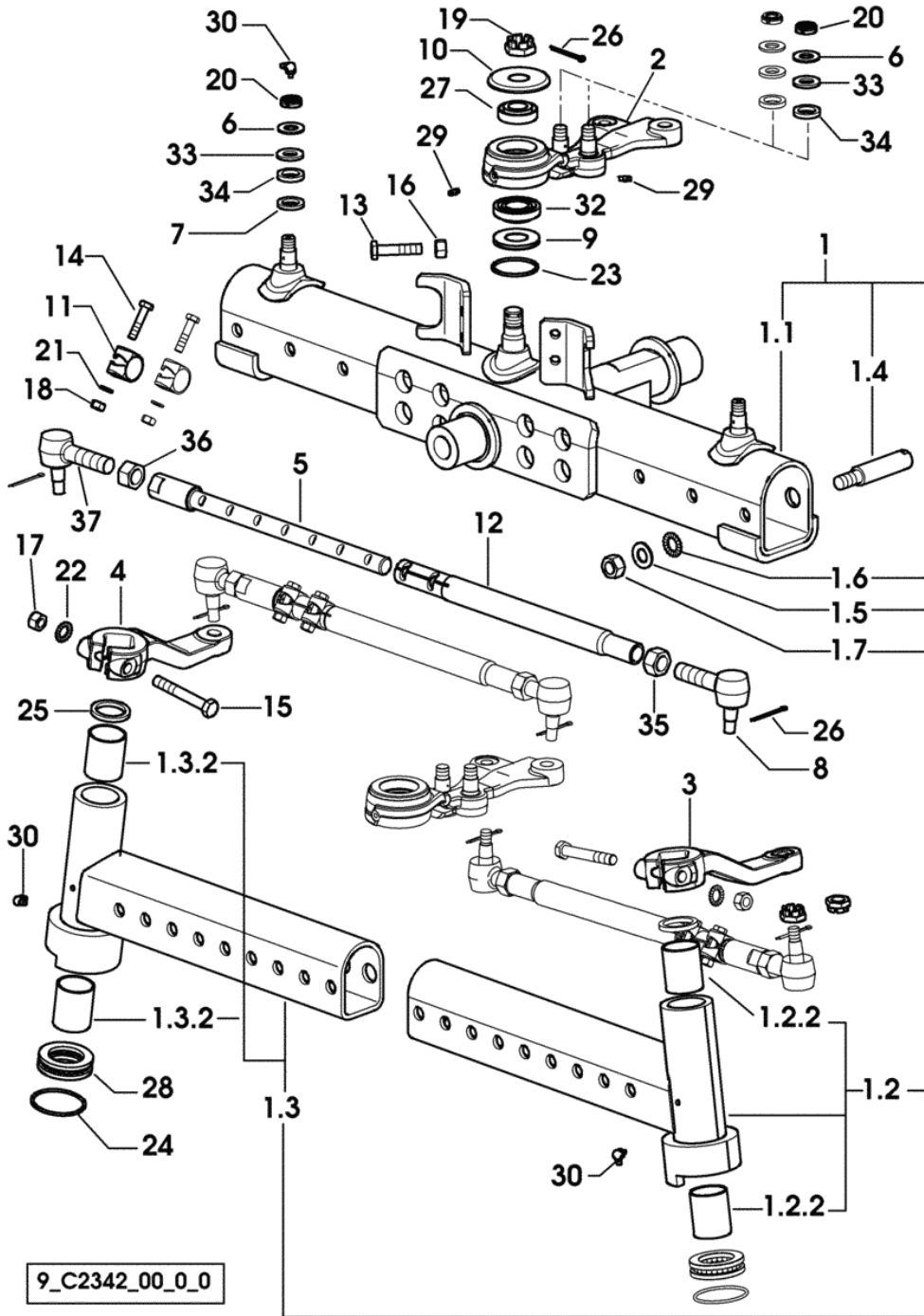


Fig.	Code	QTY	Name
------	------	-----	------

Notes:

-> 1142 X EXPLORER 75T -> 1131 X EXPLORER 85T -> 1160 X EXPLORER 95T

1	0.000.0000.1	0	not serviceable
1.1	0.013.6230.3/20	1	central axle
1.2	0.013.6232.3/20	1	counter shaft dx
1.2.2	2.1559.134.0	2	bushing 50x45x60
1.3	0.013.6234.3/20	1	counter shaft sx
1.3.2	2.1559.134.0	2	bushing 50x45x60
1.4	0.146.4282.0/10	6	pin
1.5	2.1310.011.2	6	flat washer 19x34
1.6	2.1470.010.2	6	lock washer 18
1.7	2.1011.410.2	6	nut m 18 p.1.5
2	0.013.6358.3/50	1	lever
3	0.013.6236.0/10	1	lever
4	0.013.6246.0/10	1	lever
5	0.013.6284.0/10	2	rod
6	0.013.7820.0/20	4	spacer
7	0.013.7823.0/10	4	spacer
8	0.010.0487.4	2	ball joint ↳ 591 => 591
9	0.135.4264.2	1	disc
10	0.135.4266.0	1	small cover
11	0.137.4238.0	4	terminal
12	0.261.4235.0	2	tube
13	2.0112.521.2	2	screw m 14 p.2x60
14	2.0122.367.2	4	screw m 10 p.1.25x45
15	2.0122.528.2	2	screw m 14 p.1.5x95
16	2.1011.108.2	2	nut m 14 p.2
17	2.1011.408.2	2	nut m 14 p.1.5
18	2.1011.421.2	4	nut M10x1.25
19	2.1021.510.2	1	castellated nut m 24 p.1.5
20	2.1220.004.2	4	ring nut
21	2.1470.006.2	4	lock washer 10
22	2.1470.008.2	2	lock washer 14
23	2.1530.138.0	1	'o' ring 55.56x3.53
24	2.1530.161.0	2	'o' ring 53.98x3.53
25	2.1569.001.0	2	gasket 40x52x6
26	2.1690.516.2	5	split pin 5x50
27	2.2520.004.0	1	roller bearing 25x52x16.25
28	2.2620.010.0	2	thrust bearing 45x65x14
29	2.3820.101.2	2	lubricator m 6 p.1x5
30	2.3821.301.2	4	lubricator m 6 p.1

9_C2342_00_0_0

Section: FRONT AXEL
2WD - EXTENDIBLE AXLE

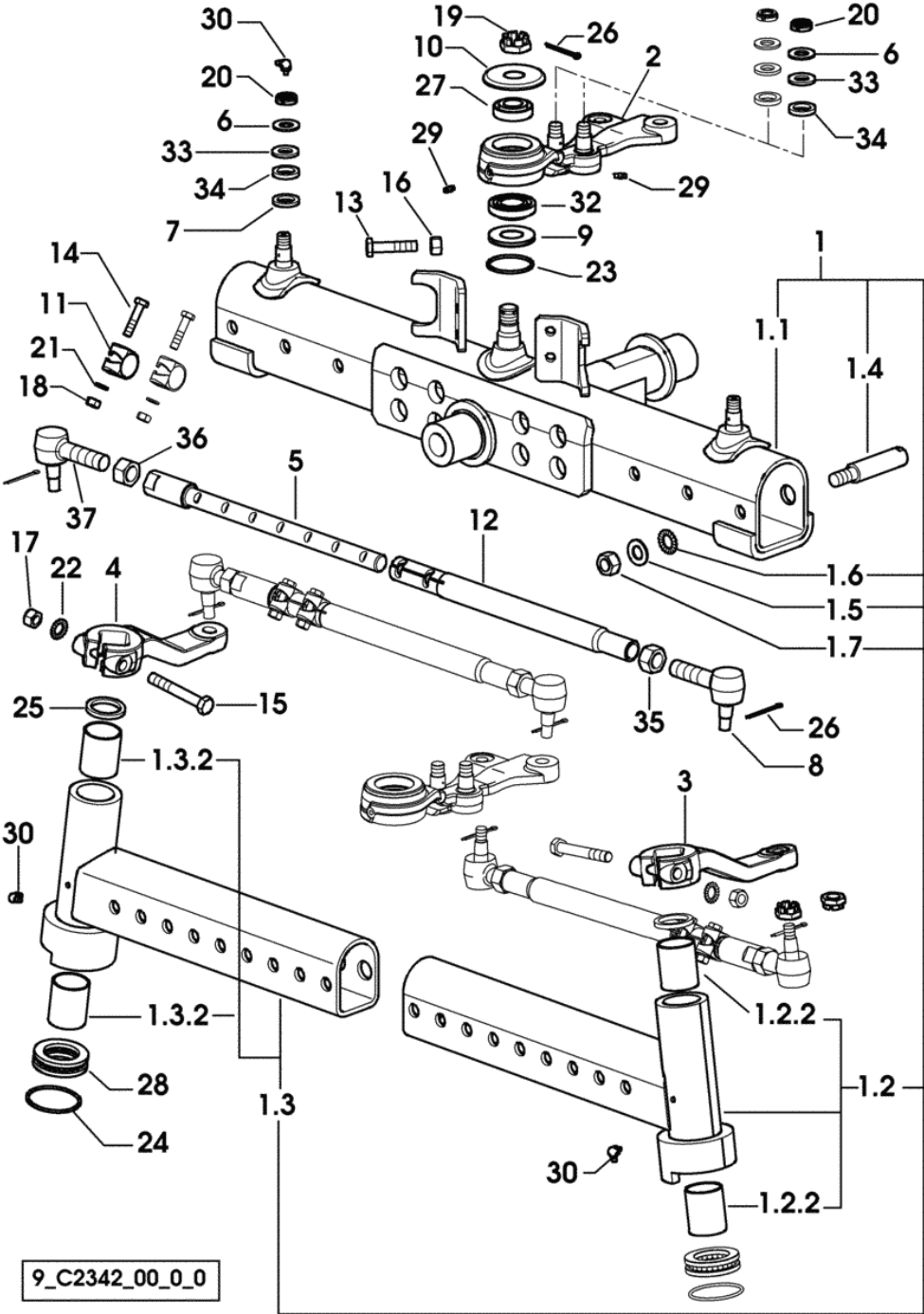


Fig.	Code	QTY	Name
32	2.2520.006.0	1	roller bearing 30x62x17.25
33	2.1569.214.0	4	spacer
34	2.1569.125.0	4	gasket 23x35x6
35	2.1019.003.2	2	nut m 22 p.1.5
36	2.1019.162.2	2	nut m 22 p.1.5 sx
37	0.014.2792.4	2	joint

9_C2342_00_0_0

Section: FRONT AXEL
2WD - EXTENSIBLE AXLE

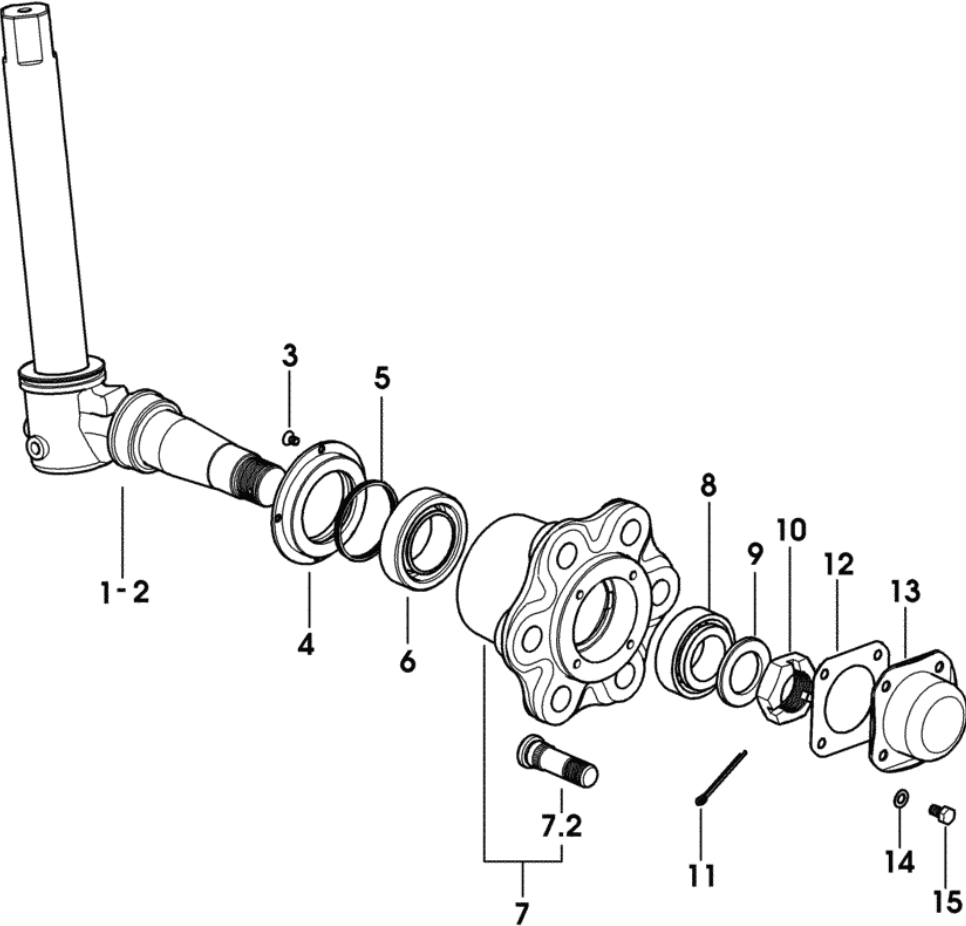


Fig.	Code	QTY	Name
1	0.013.6241.3/10	1	axle shaft
2	0.013.6242.3/10	1	axle shaft
3	2.0342.201.6	8	screw m 6 p.1x10
4	0.013.7774.0/10	2	cover
5	0.013.7811.0/10	2	'o' ring
6	2.2999.488.0	2	bearing
7	0.013.8175.3/20	2	wheel hub
7.2	0.148.4737.0/20	6	small column m 20x68
8	2.2999.489.0	2	bearing
9	2.1599.228.0	2	snoulder 38x60x5
10	2.1029.008.2	2	special nut m 36 p.2
11	2.1690.516.2	2	split pin 5x50
12	0.001.2921.0	2	gasket
13	0.014.1169.0	2	small cover
14	2.1470.004.2	8	lock washer 8
15	2.0112.204.2	8	screw m 8 p.1.25x14

Section: FRONT AXEL
2WD - FRONT BRAKES

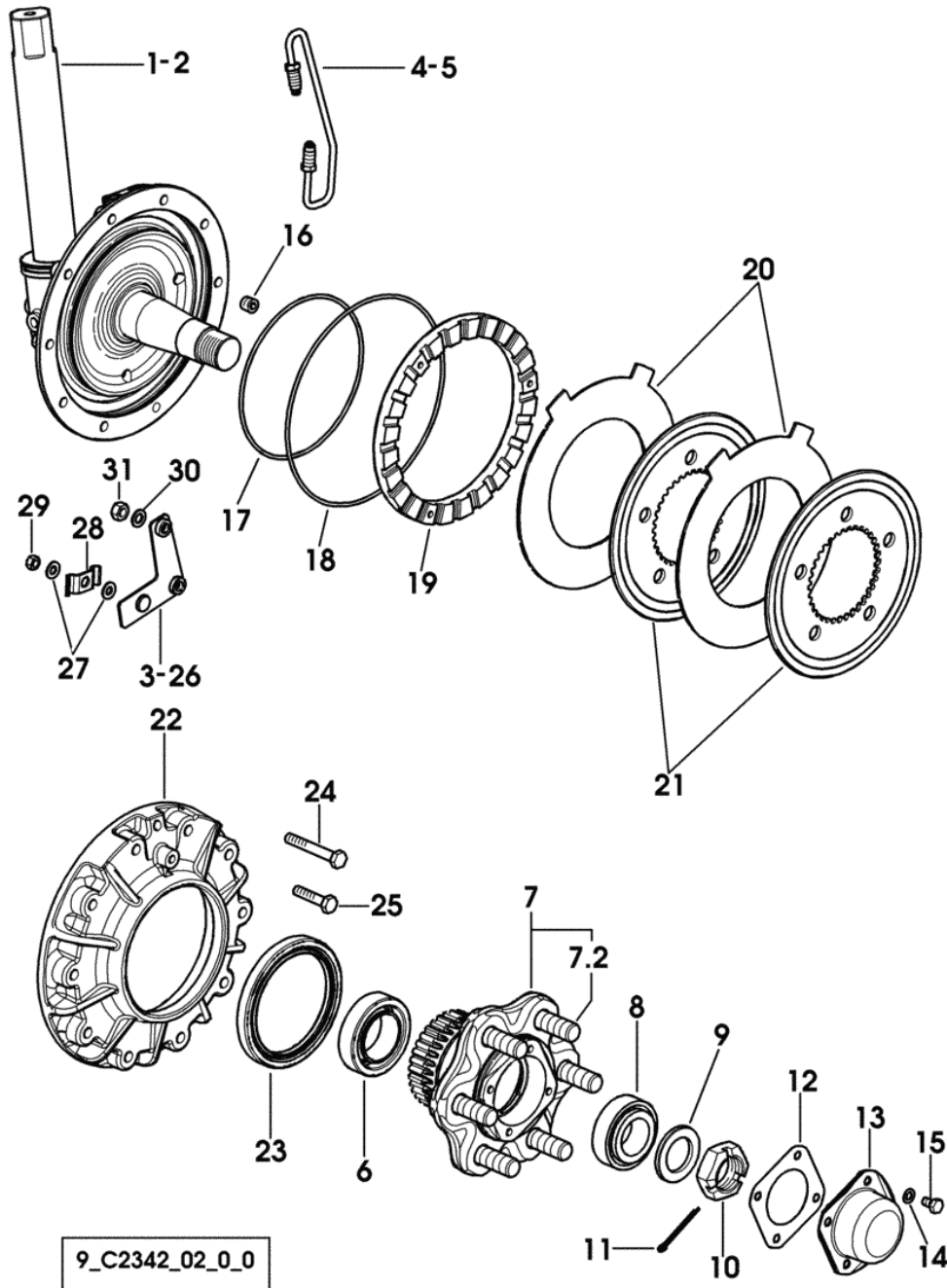


Fig.	Code	QTY	Name
------	------	-----	------

Notes:

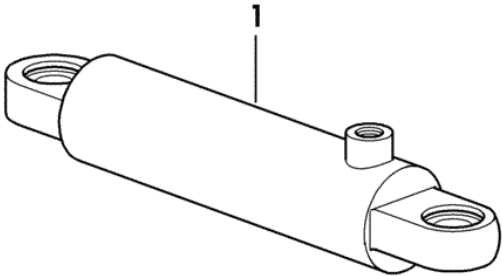
-> 1142 X EXPLORER 75T -> 1131 X EXPLORER 85T -> 1160 X EXPLORER 95T

1	0.013.6956.3/10	1	axle shaft dx
2	0.013.6957.3/10	1	axle shaft sx
3	0.013.7896.3	1	plate sx
4	0.013.7916.3/10	1	tube
5	0.013.7914.3/10	1	tube
6	2.2999.488.0	2	bearing
7	0.013.8184.3/20	2	wheel hub
7.2	0.148.4737.0/20	6	small column m 20x68
8	2.2999.489.0	2	bearing
9	2.1599.228.0	2	snoulder 38x60x5
10	2.1029.008.2	2	special nut m 36 p.2
11	2.1690.516.2	2	split pin 5x50
12	0.001.2921.0	2	gasket
13	0.014.1169.0	2	small cover
14	2.1470.004.2	8	lock washer 8
15	2.0112.204.2	8	screw m 8 p.1.25x14
16	2.3130.002.1	4	plug 1/4 gas
17	2.1539.177.0	2	'o' ring 171.04x3.53
18	2.1539.118.0	2	ring 221.84x3.53
19	0.009.8420.0/10	2	piston
20	0.275.4351.0	4	disc
21	0.007.3191.0/10	4	brake disc
22	0.007.7754.0/20	2	cover
23	2.1529.056.0/10	2	'o' ring 110x140x13
24	2.0139.030.2	4	screw m 10 p.1.25x65
25	2.0132.211.7	16	screw m 10 p.1.25x45
26	0.013.7895.3	1	plate dx
27	2.1310.004.3	4	washer 8.4x17
28	0.008.9082.0	2	small plate
29	2.1011.105.2	2	nut m 8 p.1.25
30	2.1470.006.2	4	lock washer 10
31	2.1011.421.2	4	nut M10x1.25

9_C2342_02_0_0

Section: FRONT AXEL
2WD - POWER STEERING CYLINDER

Fig.	Code	QTY	Name
1	0.255.6342.4/10	2	jack ☞ 592 => 592



9_C2342_04_0_0

Section: FRONT AXEL
4WD - FRONT DRIVE AXLE

9_40543_00_0_0

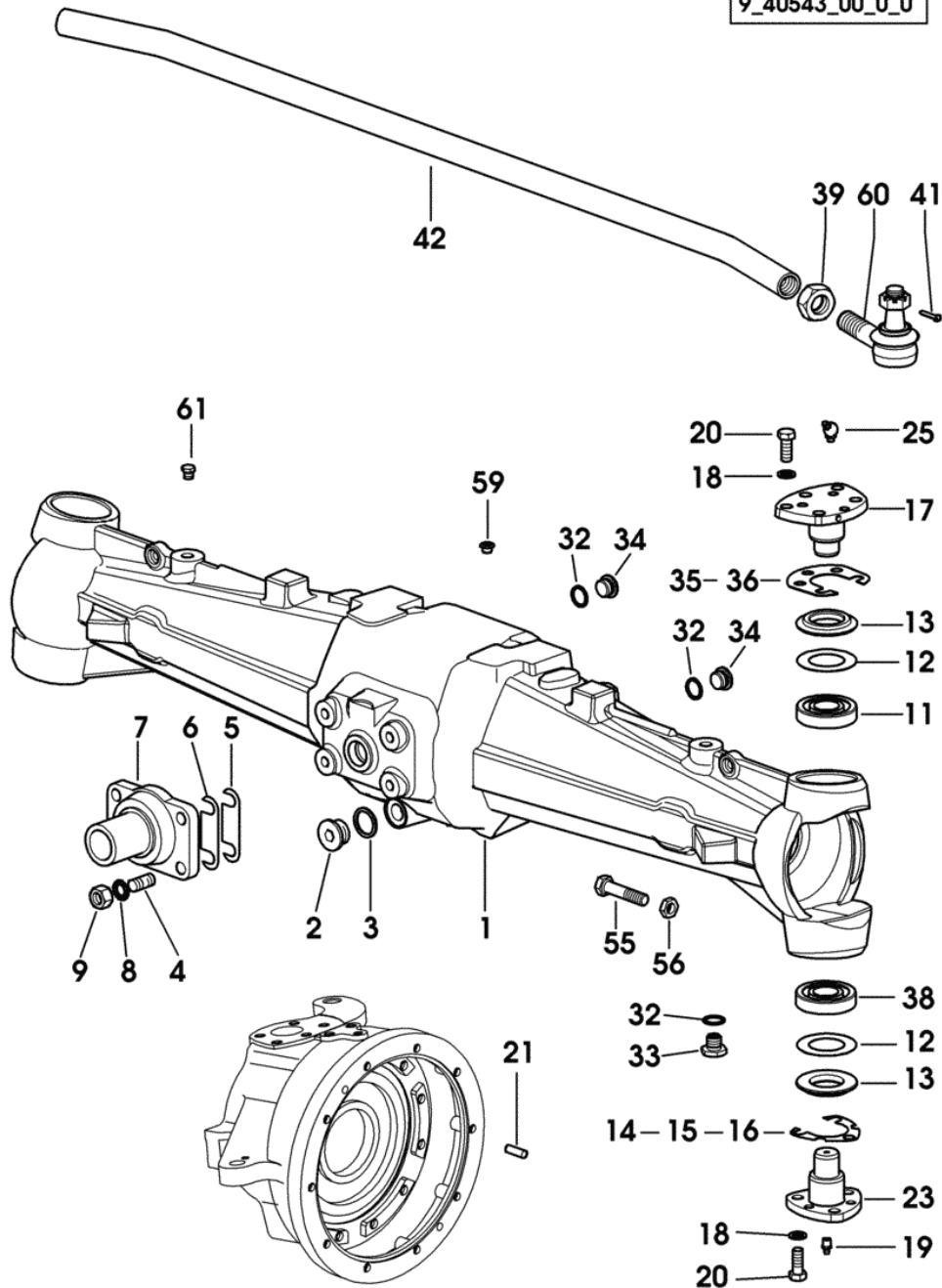
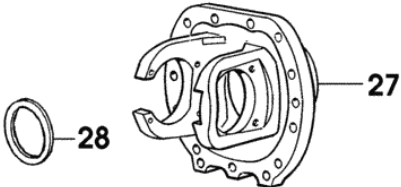


Fig.	Code	QTY	Name
1	0.275.4356.0/80	1	front axle
2	2.3199.021.2	1	plug 1/2 gas
3	2.1560.054.0	1	gasket 21x26
4	2.0433.309.7	4	stud bolt m 14 p.1.5x35
5	2.1379.004.0/10	4	shim 15x15x62x1.5
6	2.1379.003.0/10	4	shim 15x15x62x0.12
7	0.146.4320.0/20	1	pin
8	2.1475.005.2	4	washer 15x27
9	2.1011.308.2	4	nut m 14 p.1.5
11	2.2530.007.0	1	roller bearing 30x72x20.75
12	2.1599.260.0	4	snoulder 43x71x1
13	2.1519.045.0	4	'o' ring 41x73x9
14	0.463.4351.0	8	shim mm 0.5
15	0.463.4350.0	8	shim mm 0.2
16	0.463.4352.0	8	shim mm 0.15
17	0.255.4335.0/10	1	pin
18	2.1470.007.2	9	lock washer 12
19	2.3820.105.2	2	lubricator m 10 p.1x7
20	2.0112.411.2	9	screw m 12 p.1.75x30
21	2.1651.811.0	4	cylindrical plug 10x25
23	0.169.4337.0/10	2	pin
25	2.3821.102.2	1	lubricator m 8 p.1
32	2.1560.054.0	5	gasket 21x26
33	2.3199.021.2	2	plug 1/2 gas
34	2.3199.001.2	3	plug 1/2 gas
35	2.1589.124.0	8	shim mm 0.2
36	2.1589.126.0	8	shim mm 0.15
38	2.2550.007.0	2	roller bearing 30x72x28.75
39	2.1099.020.1	2	special nut m 24 p.1.5
41	2.1690.412.2	2	split pin 4x30
42	0.275.4344.0/20	1	rod
55	2.0119.213.2	4	screw m 14 p.2x60
56	2.1011.208.2	4	nut m 14
59	2.3199.537.0	5	plug mm 11
60	0.010.0488.4/10	2	joint
			☞ 593 => 593
61	2.3199.125.0	3	plug 1/8 gas

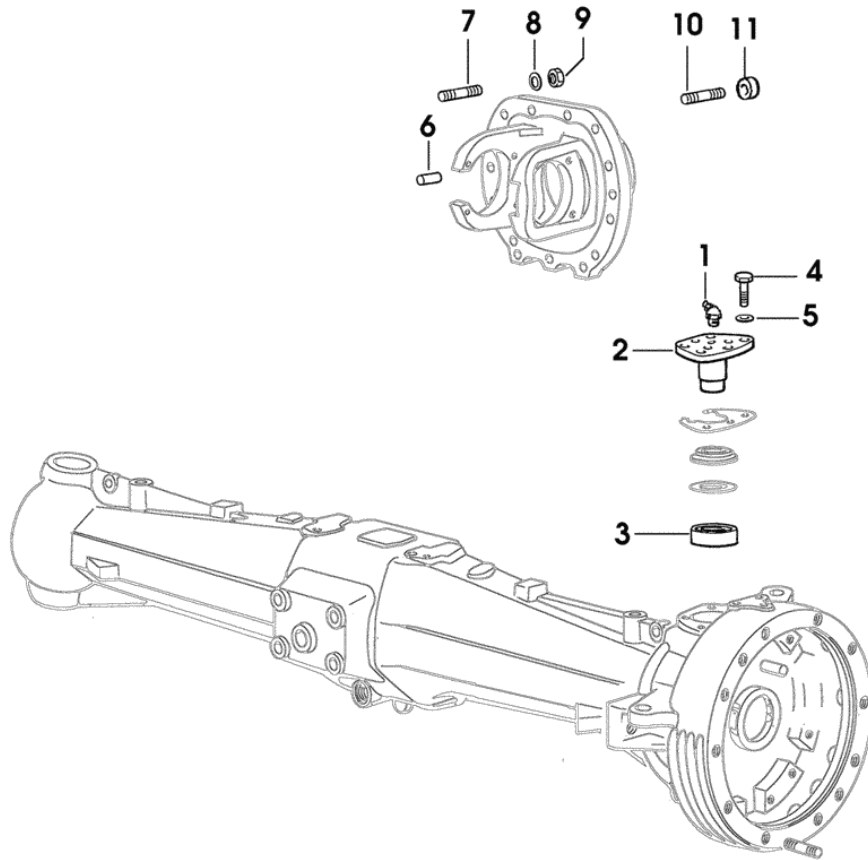
FLANGE

Fig.	Code	QTY	Name
27	0.007.3499.0/80	1	flange
28	2.1549.318.0	1	spacer



Section: FRONT AXEL
4WD - FRONT DRIVE AXLE

Fig.	Code	QTY	Name
1	2.3821.102.2	1	lubricator m 8 p.1
2	0.255.4335.0/10	1	pin
3	2.2530.007.0	1	roller bearing 30x72x20.75
4	2.0112.411.2	3	screw m 12 p.1.75x30
5	2.1470.007.2	3	lock washer 12
6	2.1651.915.0	2	pin 12x35
7	2.0432.257.7	11	stud bolt m 12 p.1.75-1.25x30
8	2.1475.004.2	13	washer 13x24
9	2.1011.322.2	13	nut m 12 p.1.25
10	2.0432.259.7	2	stud bolt m 12 p.1.75-1.25x35
11	2.1579.147.2	2	spacer 12.5x22x3

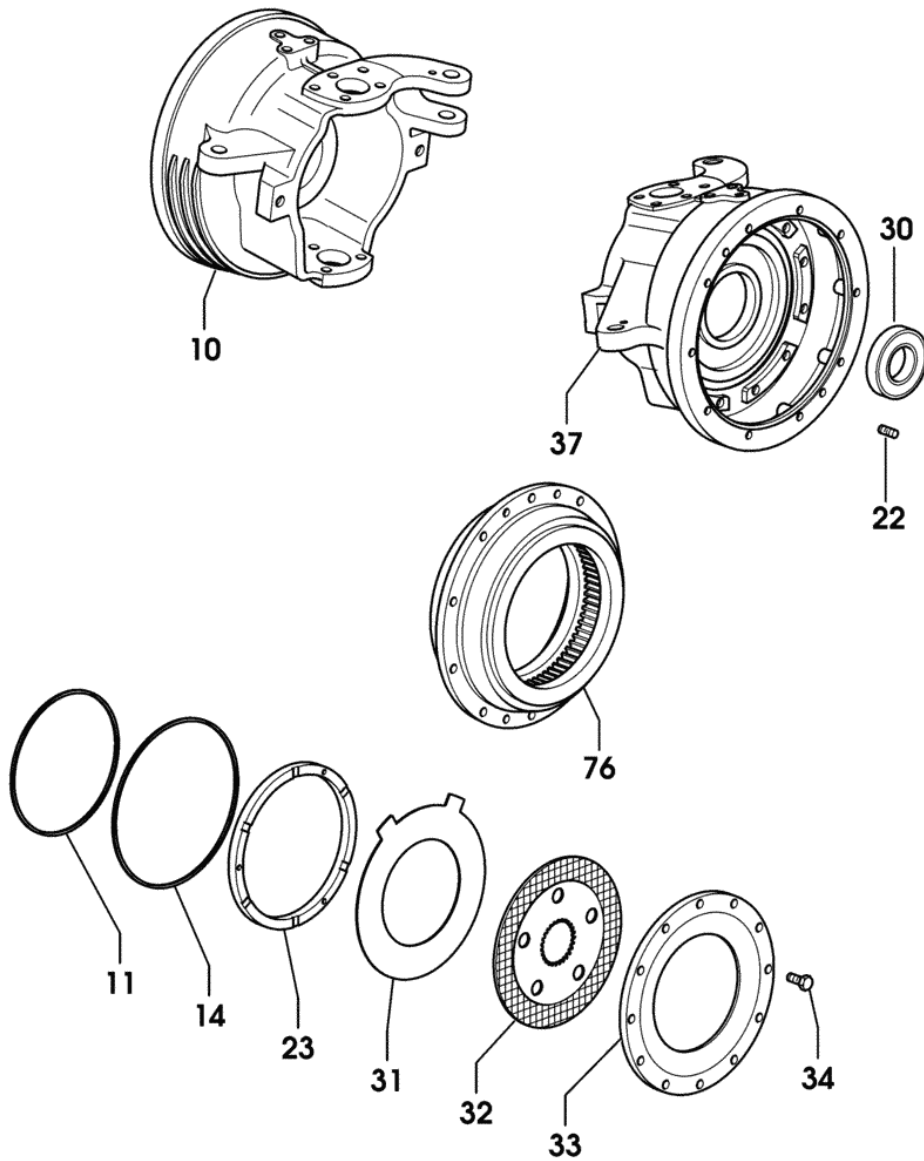


Section: FRONT AXEL

4WD - FRONT BRAKES 40 Km/h

9_40543_02_0_0

Fig.	Code	QTY	Name
10	0.007.6382.0/50	1	fork dx
11	0.275.4354.0/20	2	gasket 183.6x190.4x3.4
14	0.275.4353.0/20	2	gasket 215.6x222.4x3.4
22	2.0433.155.7	20	stud bolt m 10 p.1.25x25
23	0.275.4350.0	2	piston
30	2.1529.134.0	2	'o' ring 65x90x17.5
31	0.275.4351.0	2	disc
32	0.154.5459.0/10	2	brake disc
33	0.275.4352.0/10	2	flange
34	2.0139.025.1	24	screw m 10 p.1.25x25
37	0.007.6383.0/50	1	fork
76	0.011.0665.3	2	crown wheel

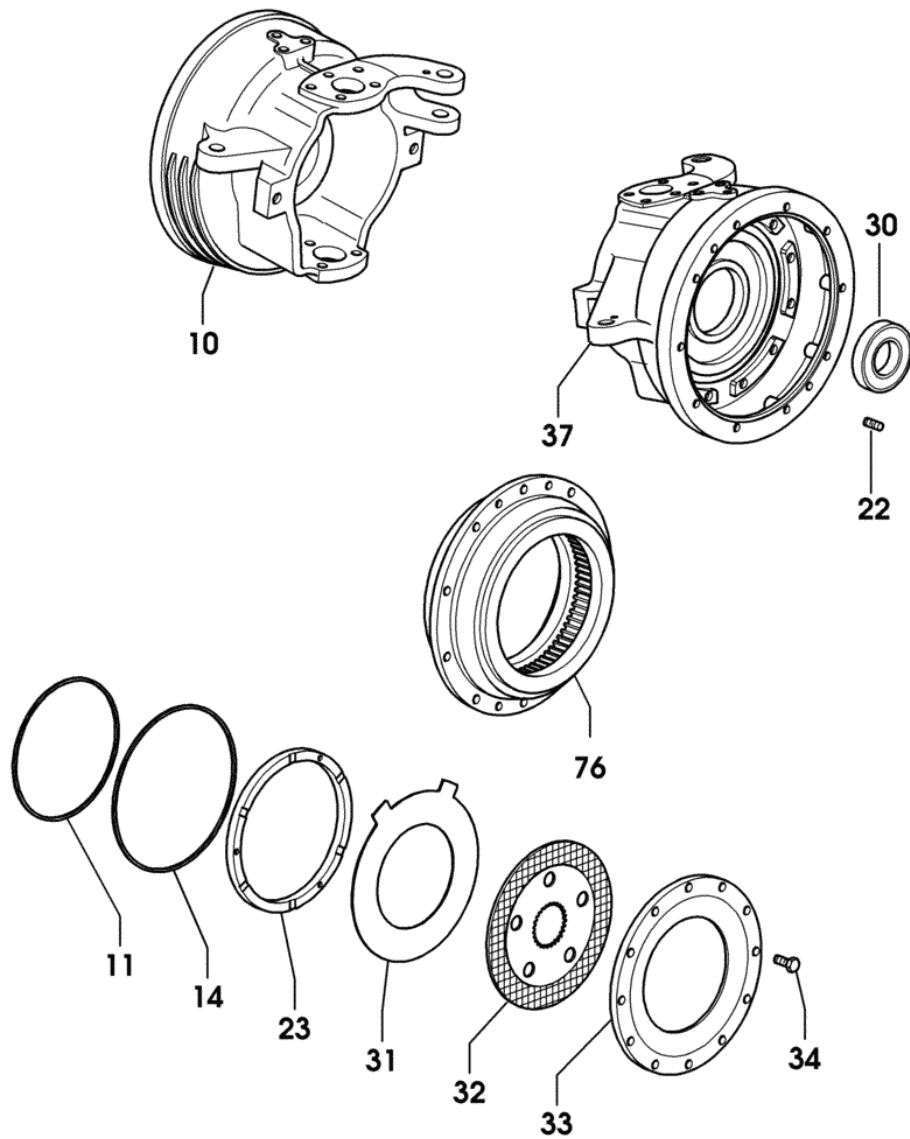


Section: FRONT AXEL

4WD - FRONT BRAKES 30 Km/h

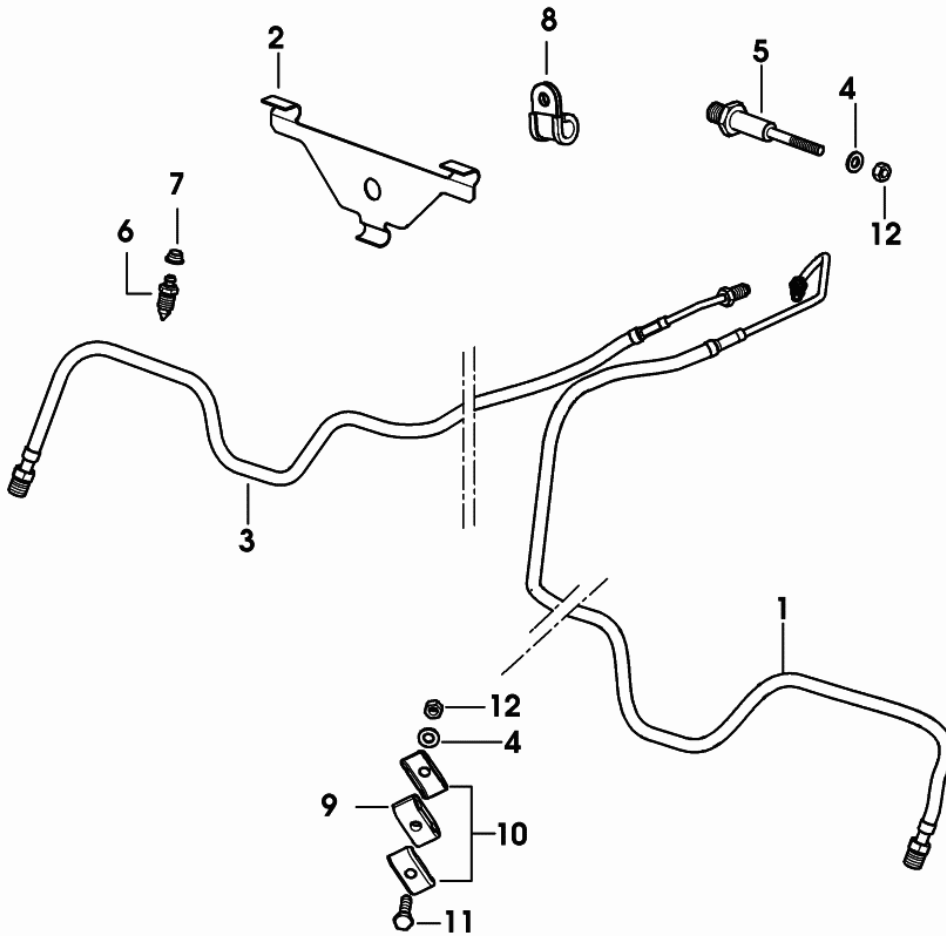
9_55243_02_0_0

Fig.	Code	QTY	Name
10	0.007.6382.0/50	1	fork dx
11	0.275.4354.0/20	2	gasket 183.6x190.4x3.4
14	0.275.4353.0/20	2	gasket 215.6x222.4x3.4
22	2.0433.155.7	20	stud bolt m 10 p.1.25x25
23	0.275.4350.0	2	piston
30	2.1529.161.0/10	2	'o' ring 65x90x13/14.5
31	0.275.4351.0	2	disc
32	0.154.5459.0/10	2	brake disc
33	0.275.4352.0/10	2	flange
34	2.0139.025.1	24	screw m 10 p.1.25x25
37	0.007.6383.0/50	1	fork
76	0.011.0665.3	2	crown wheel



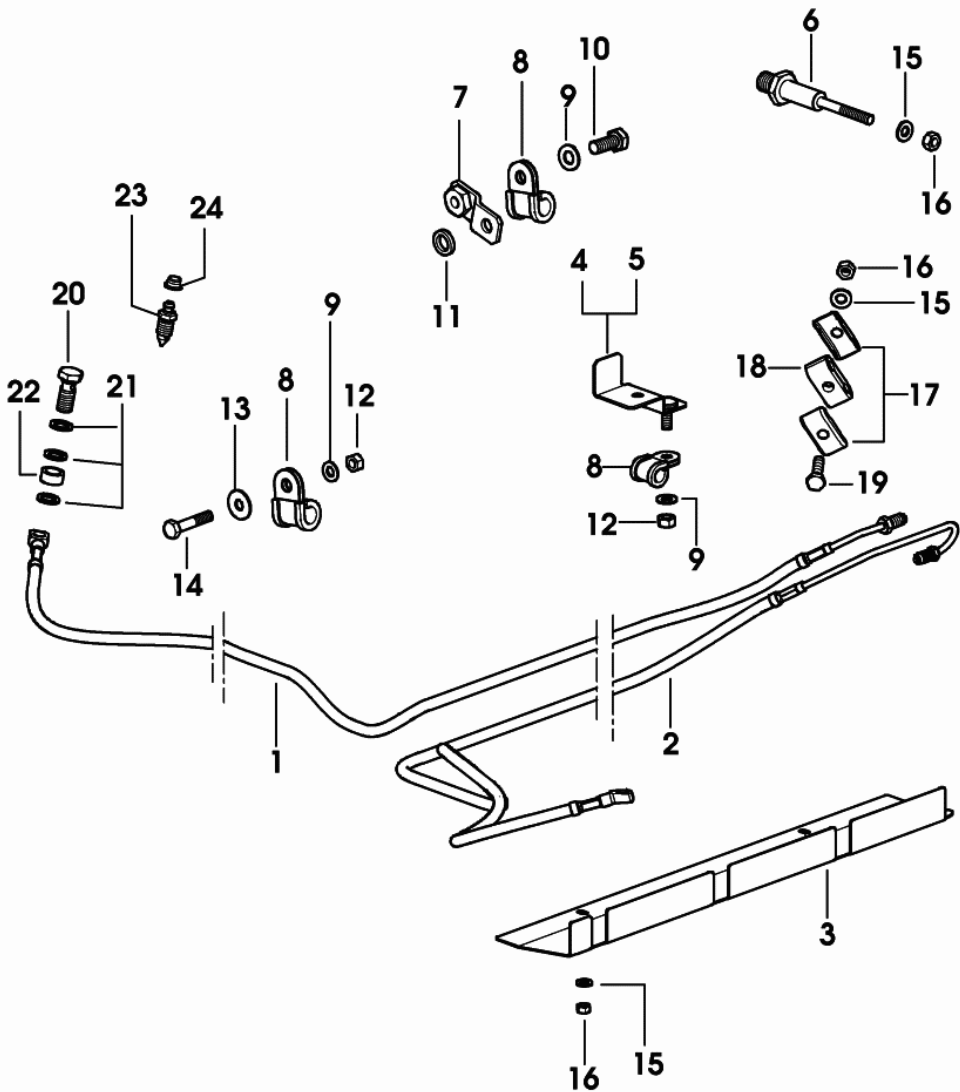
Section: FRONT AXEL
BRAKE PIPES 2wd

Fig.	Code	QTY	Name
1	0.014.3021.3	1	tube
2	0.014.3018.0	2	bracket
3	0.014.3020.3	1	tube dx
4	2.1310.002.2	2	flat washer 6.4x12.5
5	0.014.2489.0	1	pin
6	0.170.5455.0	1	fuse
7	2.3199.039.0	2	plug 6.5x7.25
8	2.6839.052.0	1	clamp 30/20
9	0.013.1564.0	1	terminal
10	0.013.1566.0	2	small plate
11	2.0112.009.2	1	screw m 6 p.1x25
12	2.1011.103.2	2	nut m 6 p.1



Section: FRONT AXEL
BRAKE PIPES 4wd

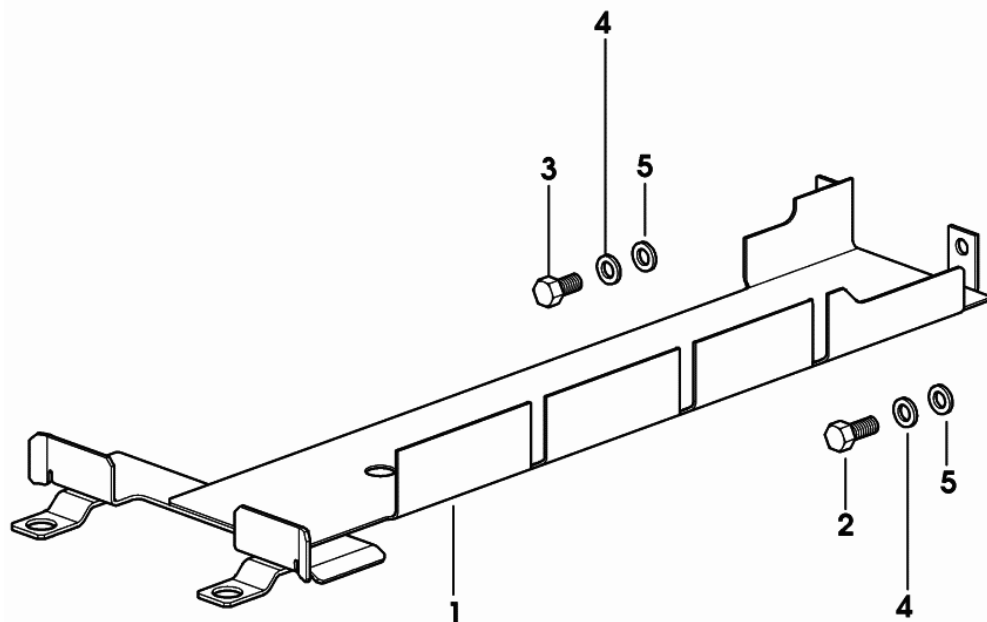
Fig.	Code	QTY	Name
1	0.014.2540.3	1	tube
2	0.014.2541.3	1	tube
3	0.014.2568.0	1	channel
4	0.014.2514.3	1	bracket dx
5	0.014.2509.3	1	bracket sx
6	0.014.2489.0	1	pin
7	0.010.8324.3	2	square
8	2.6839.055.0	6	clamp 11-20
9	2.1310.004.2	8	flat washer 8.4x16
10	2.0112.207.2	4	screw m 8 p 1.25x20
11	2.1579.154.2	2	spacer 10.5x16x3
12	2.1011.105.2	4	nut m 8 p.1.25
13	2.1312.004.2	2	washer 9x24
14	2.0112.215.2	2	screw m 8 p.1.25x40
15	2.1310.002.2	4	flat washer 6.4x12.5
16	2.1011.103.2	4	nut m 6 p.1
17	0.013.1566.0	2	small plate
18	0.013.1564.0	1	terminal
19	2.0112.009.2	1	screw m 6 p.1x25
20	2.3339.361.2/10	2	pipe union m 12 p.1,25x28
21	2.1560.008.0	6	gasket 12.2x18
22	2.1579.765.2/10	2	spacer 12.5x18x8
23	0.170.5455.0	2	fuse
24	2.3199.039.0	2	plug 6.5x7.25



9_C2366_01_0_0

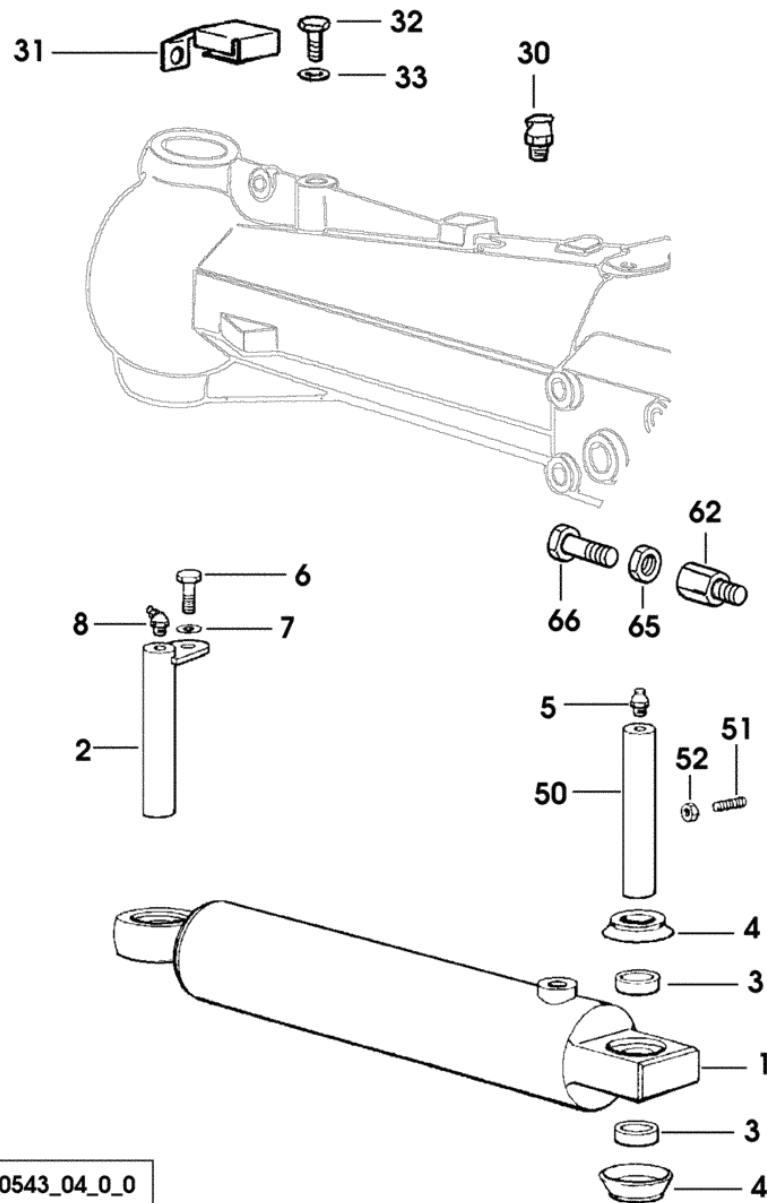
Section: FRONT AXEL
GUARD PLATE 2wd

Fig.	Code	QTY	Name
1	0.014.3019.2	1	guard
2	2.0112.207.2	1	screw m 8 p 1.25x20
3	2.0112.205.2	1	screw m 8 p.1.25x16
4	2.1470.004.2	2	lock washer 8
5	2.1310.004.2	2	flat washer 8.4x16



Section: FRONT AXEL
4WD - POWER STEERING CYLINDER

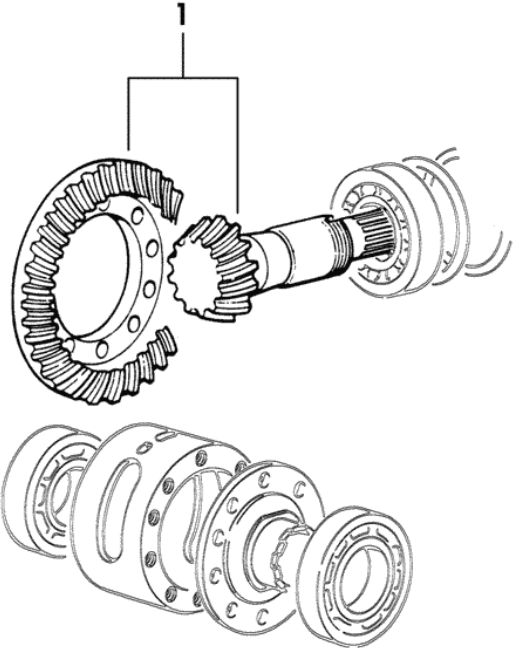
Fig.	Code	QTY	Name
1	0.448.6342.4	2	jack ☞ 594 => 594
2	0.270.6350.2/30	2	pin
3	2.1579.739.0	8	spacer 21x25x10
4	0.270.6351.0	8	gasket
5	2.3820.105.2	2	lubricator m 10 p.1x7
6	2.0112.207.2	2	screw m 8 p 1.25x20
7	2.1470.004.2	2	lock washer 8
8	2.3821.303.2	2	lubricator m 10 p.1
30	0.135.4363.3/10	3	valve
31	0.270.4355.0	2	guard
32	2.0112.304.2	2	screw m 10 p.1.5x14
33	2.1310.006.2	2	flat washer 10.5x20
50	0.008.5388.0/10	2	piston pin
51	2.0399.050.2	2	screw m 10 p.1x30
52	2.1011.406.2	2	nut m 10 p.1
62	0.010.8798.0	2	spacer
65	2.1011.208.2	2	nut m 14
66	2.0119.228.2	2	screw m 14 p.2x40



9_40543_04_0_0

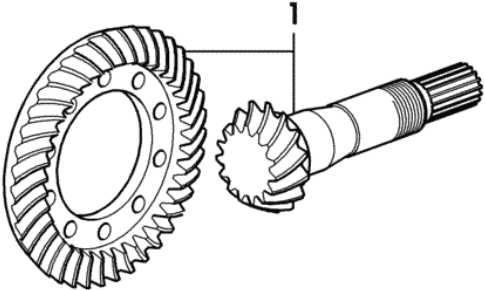
Section: FRONT AXEL
4WD - BEVEL WHEEL GEAR 30 Km/h

Fig.	Code	QTY	Name
1	0.270.4620.3/30	1	bevel gear z=13 z=44



Section: FRONT AXEL
4WD - BEVEL WHEEL GEAR 40 Km/h

Fig.	Code	QTY	Name
1	0.459.4620.3/20	1	bevel gear z=15 z=40



Section: FRONT AXEL
4WD - DIFFERENTIAL LOCK CONTROL-MECHANICAL

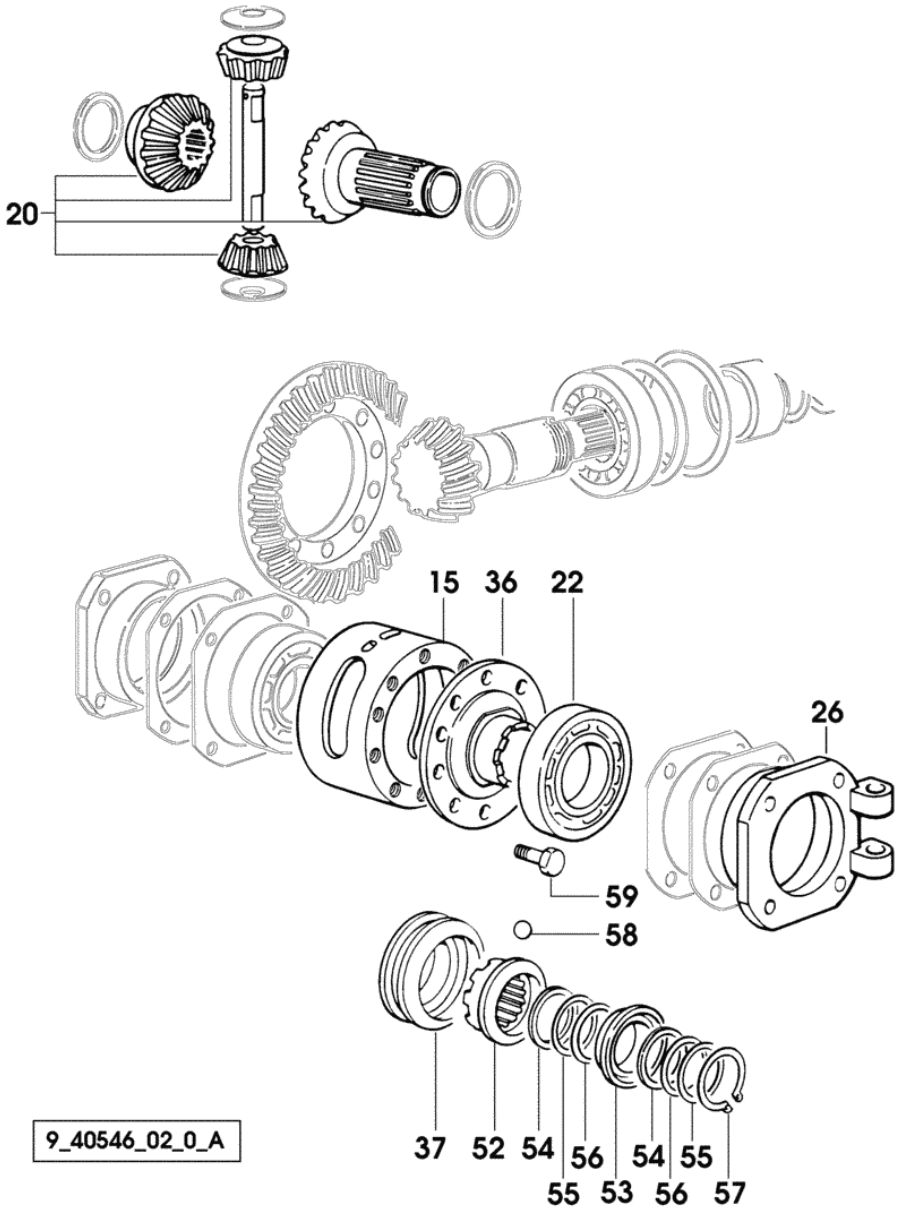


Fig.	Code	QTY	Name
15	0.275.4610.0/10	1	differential carrier
20	0.275.4622.3/10	1	crown wheel
22	2.2520.011.0	1	roller bearing 50x90x21.75
26	0.467.4650.0/30	1	flange
36	0.255.4615.0	1	flange
37	0.255.4617.0	1	sleeve
52	0.255.4618.0/10	1	sleeve
53	0.255.4619.0	1	spacer
54	2.1599.317.0	2	snoulder 38.5x44.50x1.5
55	2.1580.130.0	4	shim 38.5x44.50x0.5
56	2.1580.131.0	4	shim 38.5x44.50x0.2
57	2.1410.015.1	1	circlip 38
58	2.2810.006.0	17	ball mm 9.525
59	2.0139.002.1	10	screw m 10 p.1.25x20

9_40546_02_0_A

Section: FRONT AXEL
DIFFERENTIAL

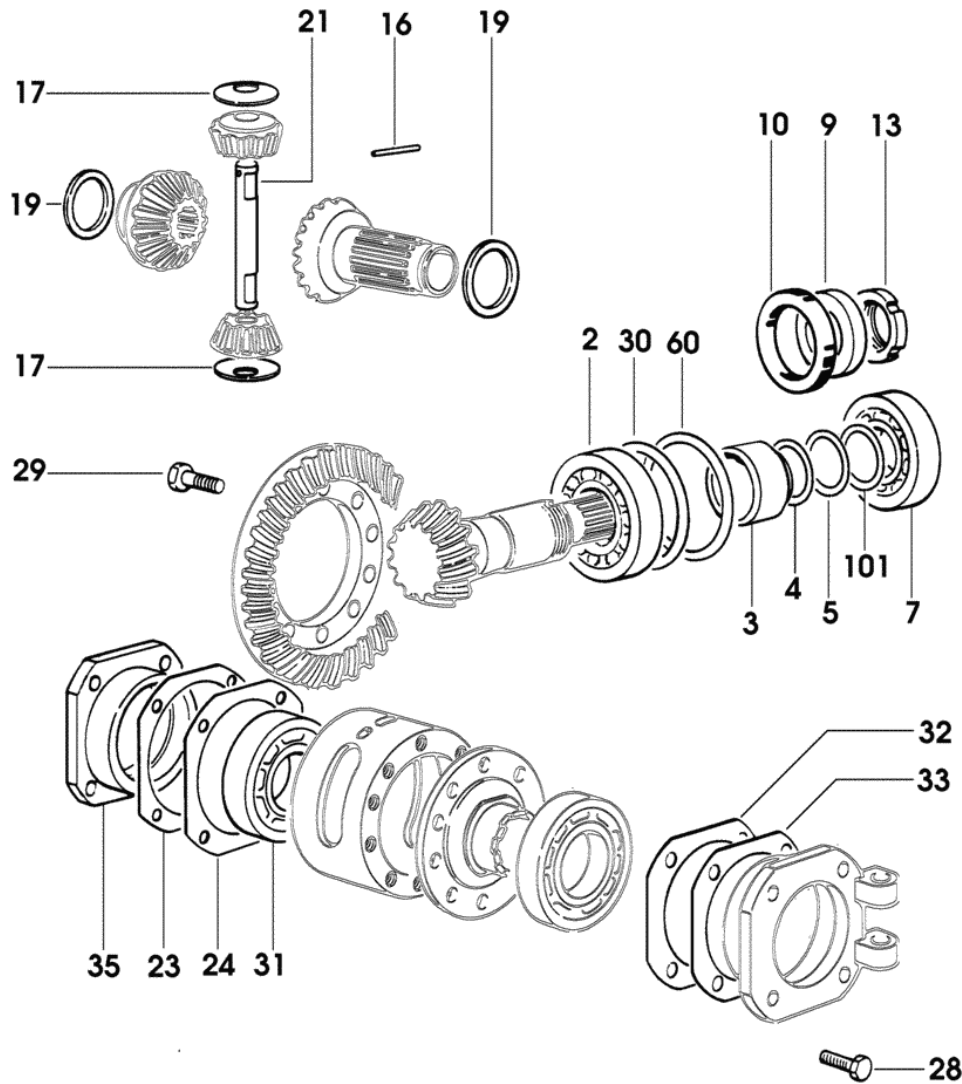


Fig.	Code	QTY	Name
2	2.2560.006.0	1	roller bearing 40x90x25.25
3	0.008.0389.0	1	spacer mm 37
4	2.1580.101.0	2	shim 36x43x0.2
5	2.1580.102.0	3	shim 36x43x0.5
7	2.2560.005.0	1	roller bearing 35x80x22.75
9	0.255.4650.0	1	spacer 35x58x19
10	2.1529.007.0/10	1	'o' ring 58x80x13
13	2.1214.108.7	1	ring nut m 35 p.1.5
16	2.1631.418.0	1	roll pin 5x45
17	0.255.4629.0	2	snoulder 15.5x36x2
19	2.1599.431.0	2	snoulder 42x66x2
21	0.010.0856.0/20	1	pin
23	0.445.4656.0/10	2	shim 92x127x0.2
24	0.445.4655.0/10	2	shim 92x127x0.5
28	2.0132.207.2	8	screw m 10 p.1x25
29	2.0139.025.1	10	screw m 10 p.1.25x25
30	2.1580.302.0	2	shim 76x89x0.5
31	2.2540.005.0	1	roller bearing 45x85x24.75
32	0.146.4653.0/10	4	shim 96x127x0.2
33	0.146.4654.0/10	4	shim 96x127x0.5
35	0.255.4652.0/20	1	flange
60	2.1580.301.0	2	shim 76x89x0.2
101	2.1580.109.0	2	shim 36x43x0.15

Section: FRONT AXEL
DIFFERENTIAL WATER PROOF

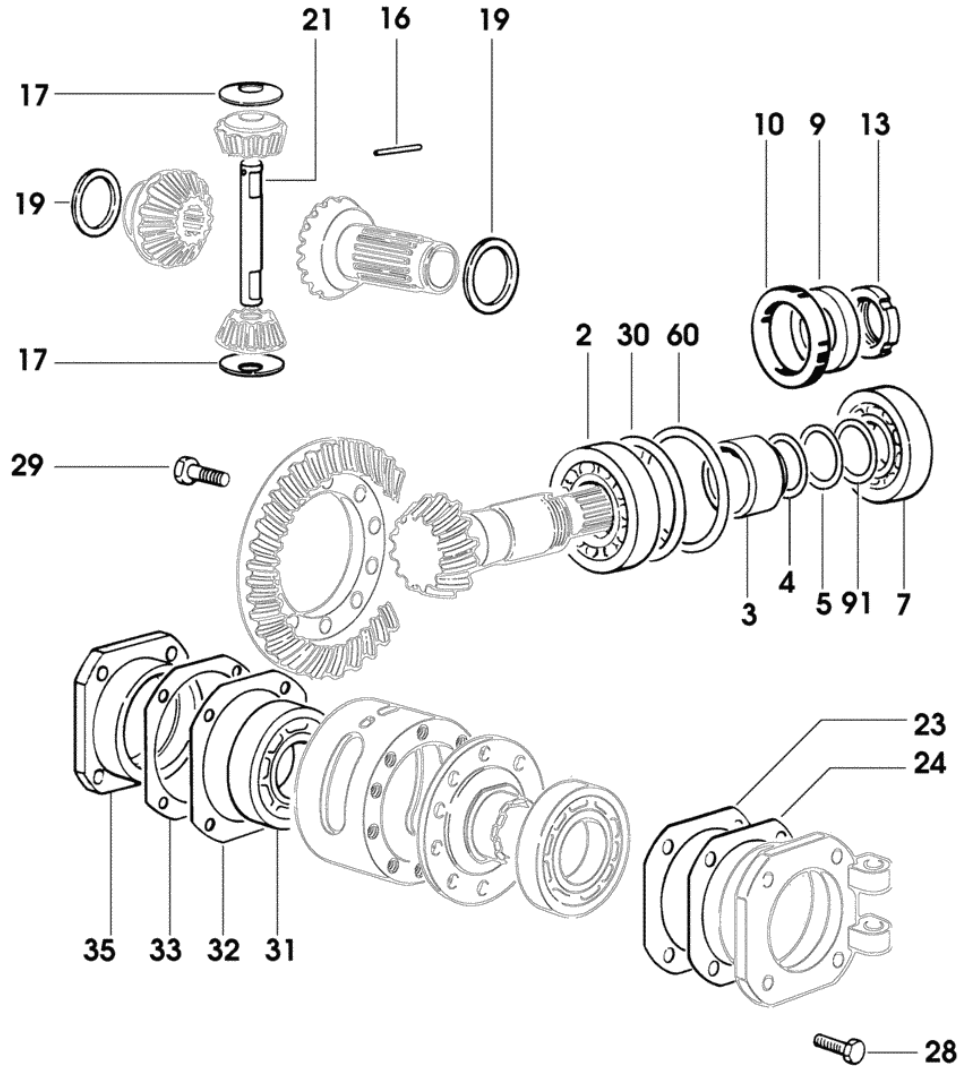


Fig.	Code	QTY	Name
2	2.2560.006.0	1	roller bearing 40x90x25.25
3	0.008.0389.0	1	spacer mm 37
4	2.1580.101.0	2	shim 36x43x0.2
5	2.1580.102.0	3	shim 36x43x0.5
7	2.2560.005.0	1	roller bearing 35x80x22.75
9	2.1549.459.0	1	spacer 35x55x19
10	2.1529.149.0	1	'o' ring 55X80X12.5
13	2.1214.108.7	1	ring nut m 35 p.1.5
16	2.1631.418.0	1	roll pin 5x45
17	0.255.4629.0	2	snoulder 15.5x36x2
19	2.1599.431.0	2	snoulder 42x66x2
21	0.010.0856.0/20	1	pin
23	0.445.4656.0/10	2	shim 92x127x0.2
24	0.445.4655.0/10	2	shim 92x127x0.5
28	2.0132.207.2	8	screw m 10 p.1x25
29	2.0139.025.1	10	screw m 10 p.1.25x25
30	2.1580.302.0	2	shim 76x89x0.5
31	2.2540.005.0	1	roller bearing 45x85x24.75
32	0.146.4653.0/10	4	shim 96x127x0.2
33	0.146.4654.0/10	4	shim 96x127x0.5
35	0.255.4652.0/20	1	flange
60	2.1580.301.0	2	shim 76x89x0.2
91	2.1580.109.0	2	shim 36x43x0.15

9_55246_00_0_A

Section: FRONT AXEL
4WD - AXLESHAFTS

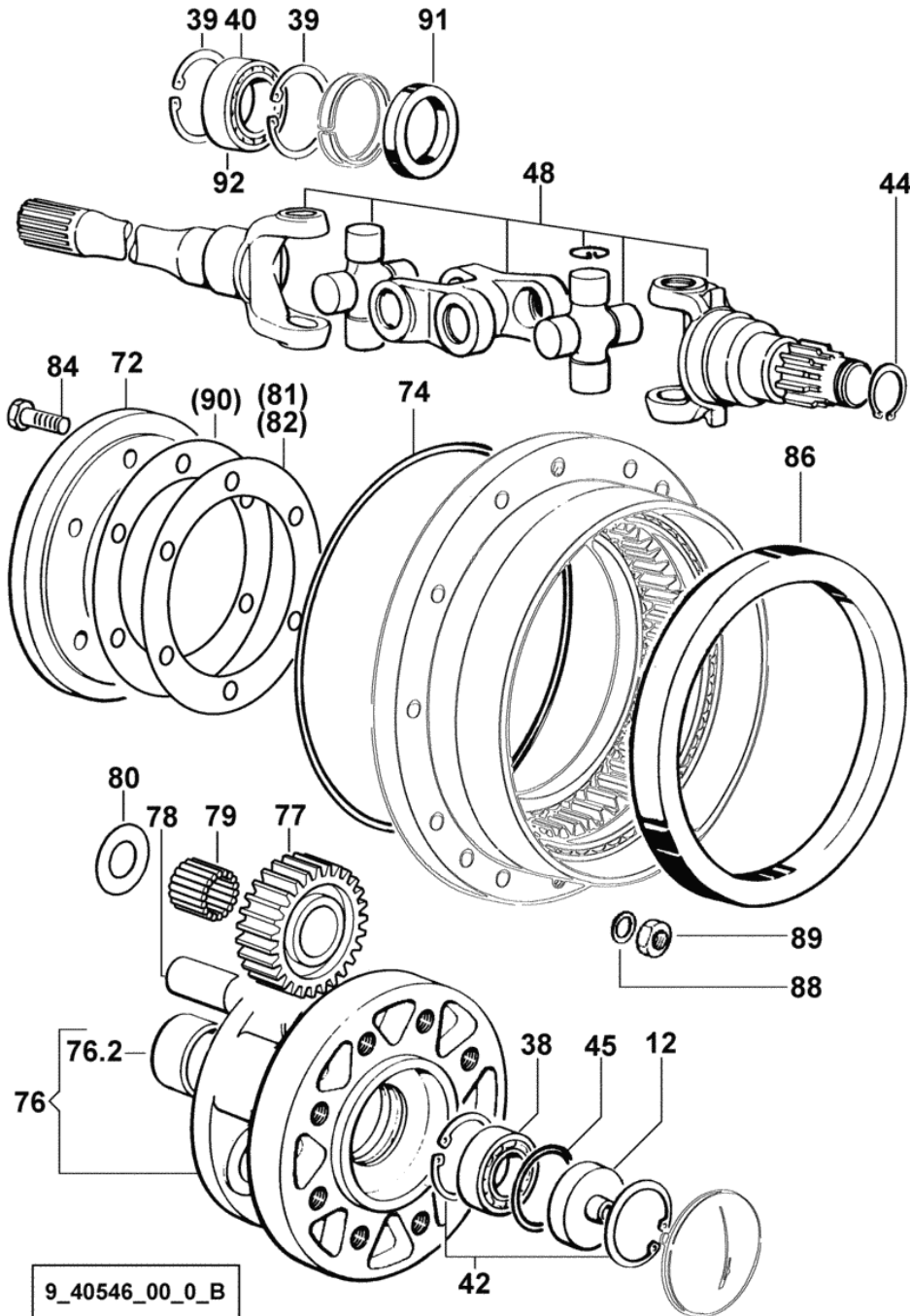


Fig.	Code	QTY	Name
12	0.275.4653.0	2	small cover
38	2.2030.007.0	2	ball bearing 30x55x13
39	2.1411.025.1	4	circlip 62
40	2.2999.415.0	1	roller bearing 43.8x62x17
42	2.1411.022.1	4	circlip 55
44	2.1499.528.1	2	circlip 30
45	2.1530.134.0	2	'o' ring 53.98x3.53
48	0.010.5413.4/10	2	half-shaft ⇒ 596 => 596
72	0.275.4650.0/10	2	flange
74	2.1530.308.0	2	'o' ring 253.6x3.53
76	0.275.4642.3/40	2	spider
76.2	2.1559.067.0	1	bushing 44.1x50.1x25
77	0.255.4644.0/20	6	planet gear
78	0.198.4643.0	6	pin
79	2.2999.002.0	6	roller cage 25x35x30
80	2.1599.871.0	12	thrust plate 25x48x1
84	2.0139.002.1	18	screw m 10 p.1.25x20
86	2.1529.138.0	2	'o' ring 210x240x19.5/21.5
88	2.1475.203.7	20	washer 10.5x20
89	2.1012.421.7	20	nut m 10
91	2.1529.112.0	2	'o' ring 45x65x18.5
92	2.2999.325.0	1	roller bearing 43.8x62x18

9_40546_00_0_B

Section: FRONT AXEL

4WD - AXLESHAFTS WATER PROOF

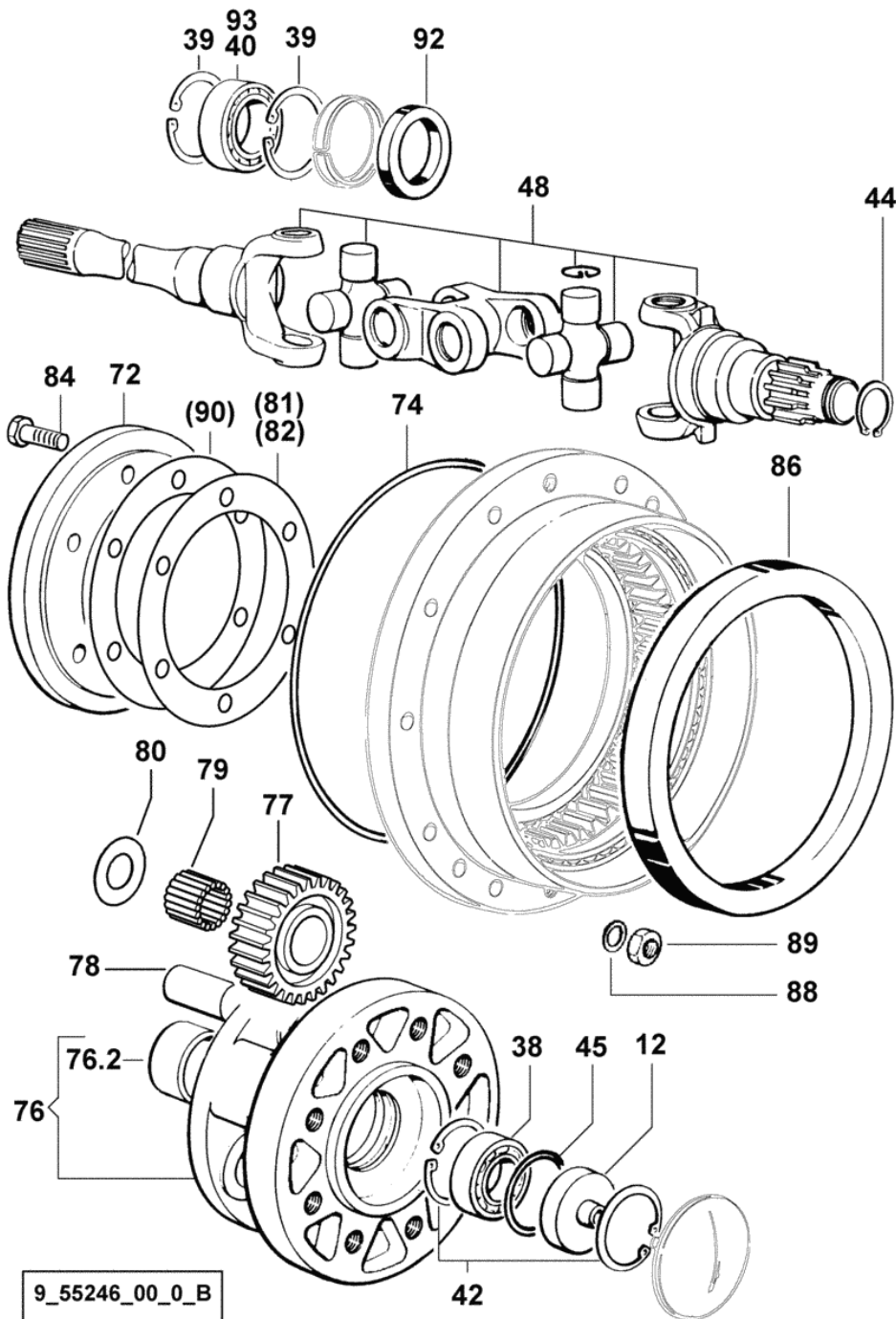
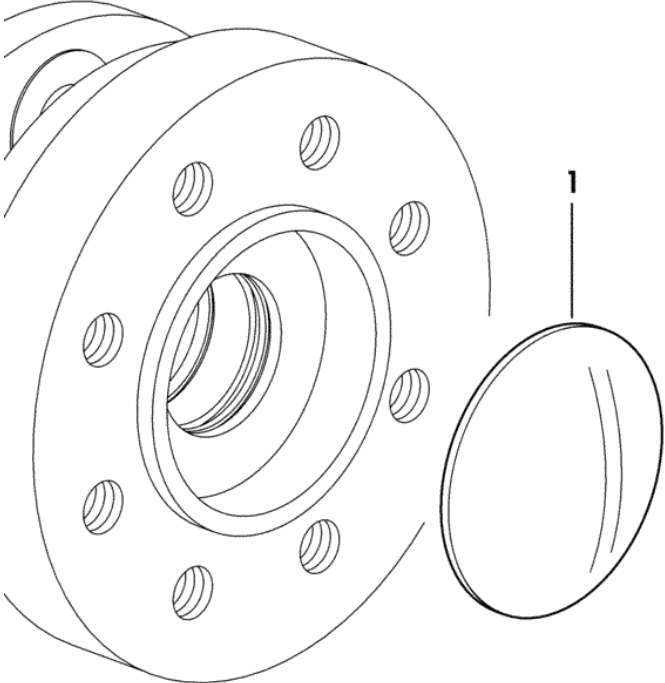


Fig.	Code	QTY	Name
12	0.275.4653.0	2	small cover
38	2.2030.007.0	2	ball bearing 30x55x13
39	2.1411.025.1	4	circlip 62
40	2.2999.415.0	1	roller bearing 43.8x62x17
42	2.1411.022.1	4	circlip 55
44	2.1499.528.1	2	circlip 30
45	2.1530.134.0	2	'o' ring 53.98x3.53
48	0.010.5413.4/10	2	half-shaft ⇒ 596 => 596
72	0.275.4650.0/10	2	flange
74	2.1530.308.0	2	'o' ring 253.6x3.53
76	0.275.4642.3/40	2	spider
76.2	2.1559.067.0	1	bushing 44.1x50.1x25
77	0.255.4644.0/20	6	planet gear
78	0.198.4643.0	6	pin
79	2.2999.002.0	6	roller cage 25x35x30
80	2.1599.871.0	12	thrust plate 25x48x1
84	2.0139.002.1	18	screw m 10 p.1.25x20
86	2.1529.138.0	2	'o' ring 210x240x19.5/21.5
88	2.1475.203.7	20	washer 10.5x20
89	2.1012.421.7	20	nut m 10
92	2.1529.112.0	2	'o' ring 45x65x18.5
93	2.2999.325.0	1	roller bearing 43.8x62x18

9_55246_00_0_B

Section: FRONT AXEL
FRONT WHEEL HUB COVER

Fig.	Code	QTY	Name
1	0.012.7082.3/10	2	cover



9_40546_10_0_0

Section: FRONT AXEL
4WD - DIFFERENTIAL LOCK CONTROL-MECHANICAL

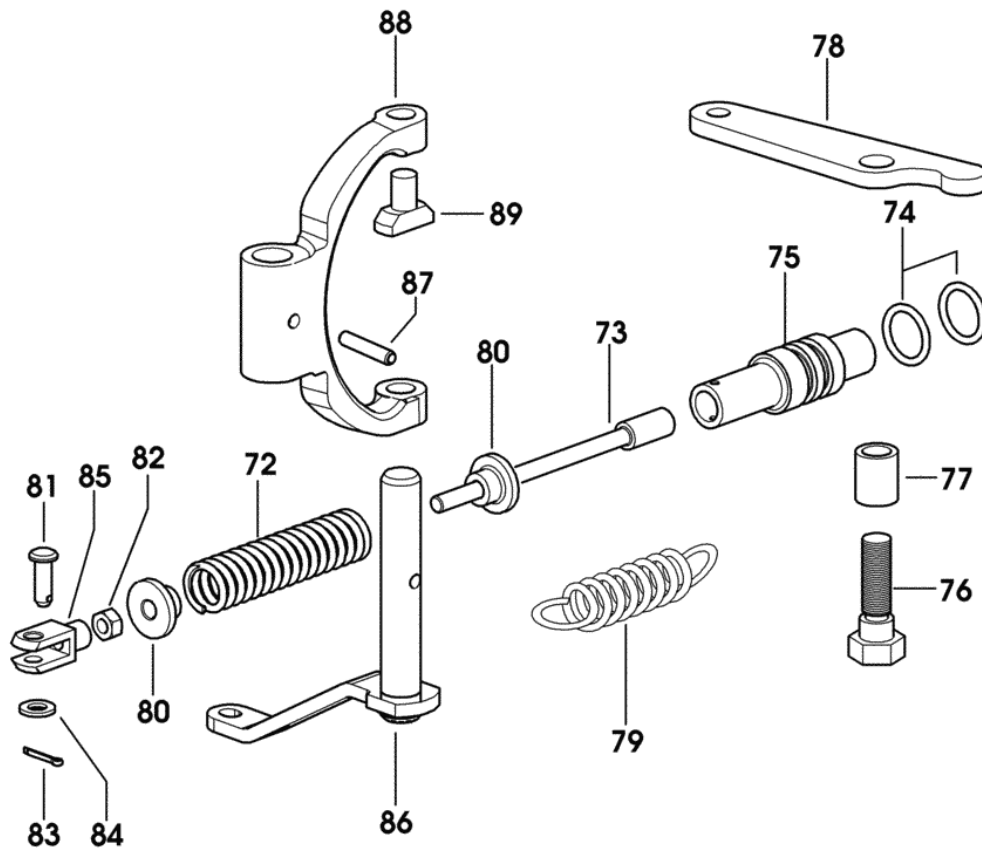


Fig.	Code	QTY	Name
72	2.4019.397.2	1	spring
73	0.467.4659.0/10	1	ferrule
74	2.1530.043.0	2	'o' ring 17.13x2.62
75	0.008.0889.0	1	piston
76	2.0399.232.2	1	screw
77	2.1579.090.2	1	spacer 10.1x15x18
78	0.008.0583.0	1	small lever
79	2.4049.184.2	1	spring 12.4x18x2.8x56
80	0.272.4651.0	2	spacer
81	2.1671.103.2	1	pin 6x18
82	2.1011.103.2	1	nut m 6 p.1
83	2.1690.205.2	1	split pin 2x12
84	2.1310.002.2	1	flat washer 6.4x12.5
85	2.3510.003.2	1	fork m 6
86	0.007.2705.2/10	1	lever
87	2.1630.511.0	1	roll pin 5x24
88	0.467.4657.0/10	1	fork
89	0.467.4660.0	2	shoe

9_40546_02_0_B

Section: FRONT AXEL
DIFFERENTIAL LOCK CONTROL

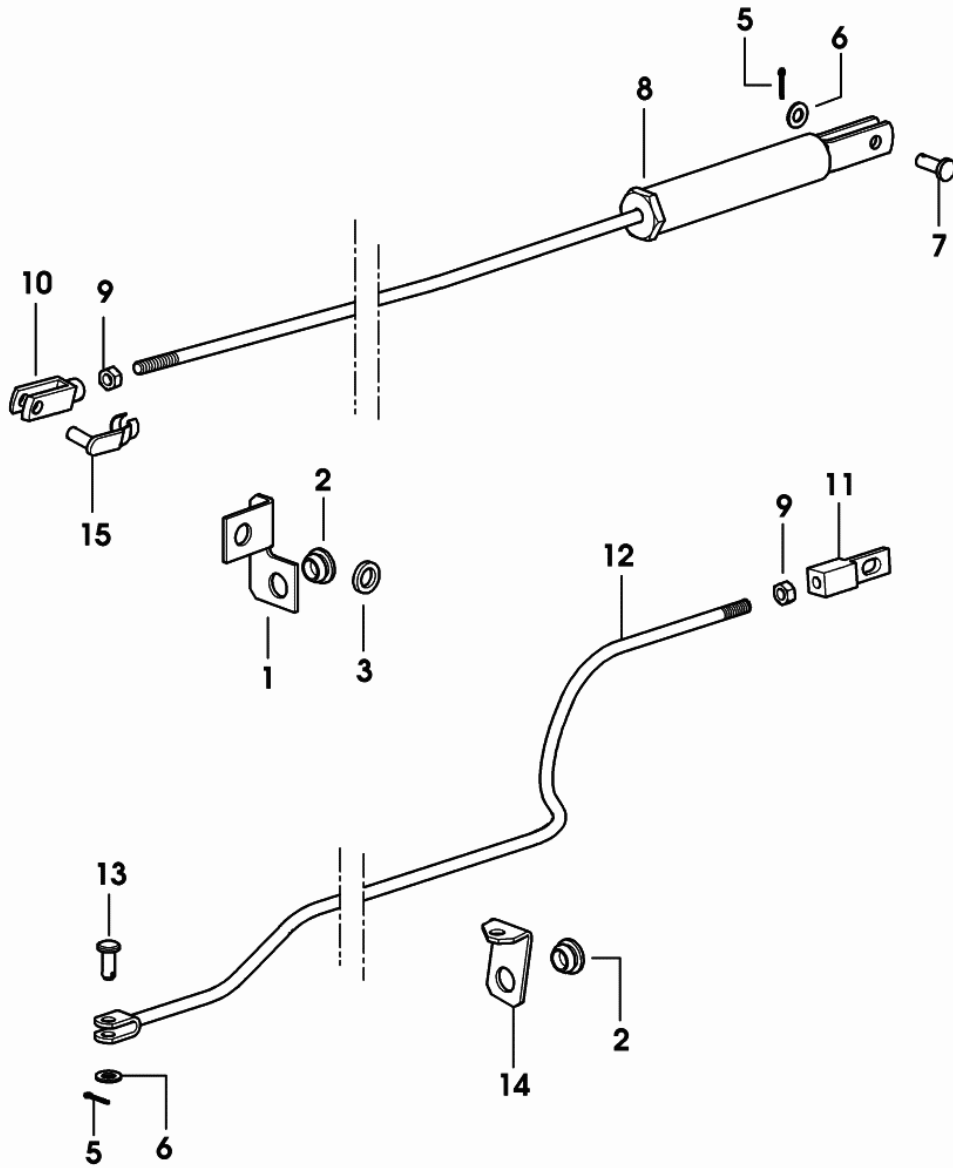


Fig.	Code	QTY	Name
1	0.255.6877.0	1	bracket
2	0.255.6858.0/10	2	rubber plug 18x5
3	2.1579.487.0	1	spacer 12.5x20x3.5
5	2.1690.206.2	2	split pin 2x16
6	2.1310.004.2	2	flat washer 8.4x16
7	2.1671.305.2	1	pin 8x22
8	0.255.6875.3	1	rod
9	2.1011.105.2	2	nut m 8 p.1.25
10	2.3510.014.2	1	fork
11	0.255.6880.0	1	tip
12	0.255.6879.2/20	1	rod
13	2.1671.304.2	1	pin
14	0.255.6878.0/20	1	plate
15	2.1673.007.2	1	small spring

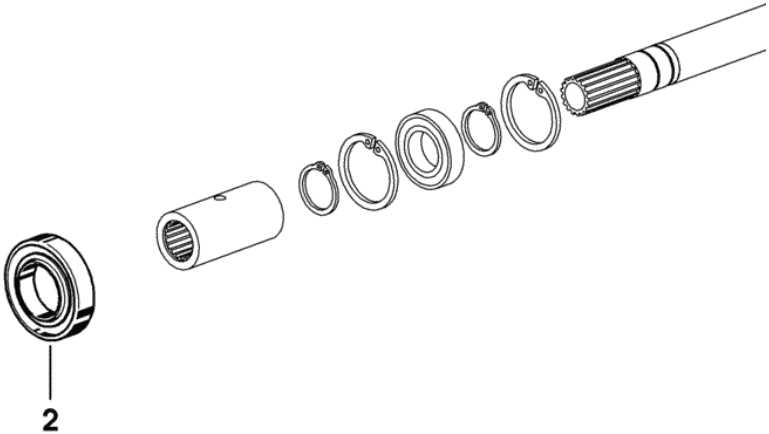
9_C2268_01_0_0

Section: FRONT AXEL
4WD - TRANSMISSION SHAFT

Fig.	Code	QTY	Name
------	------	-----	------

Notes:
1093 <- X EXPLORER 85 T 1131 <- X EXPLORER 95 T

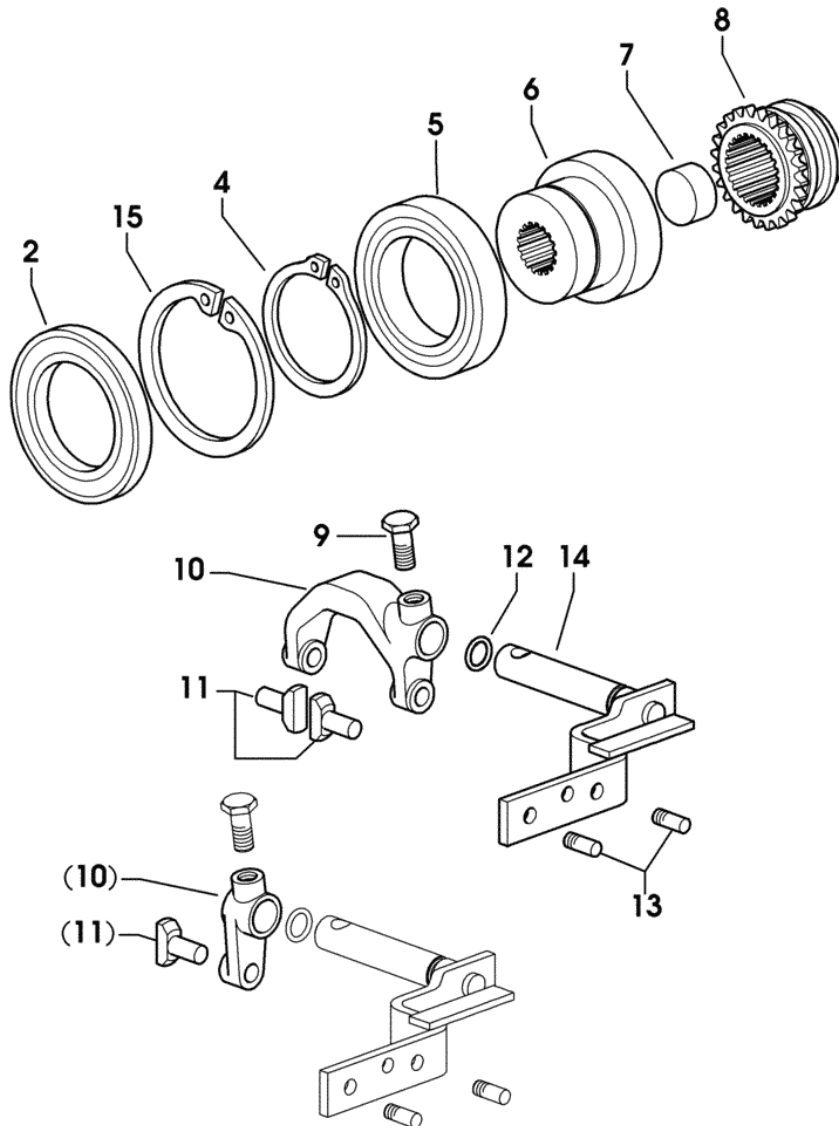
2	2.1529.106.0/10	1	'o' ring 30x55x12
---	-----------------	---	-------------------



9_55244_01_0_0

4WD - ENGAGEMENT CONTROL

Fig.	Code	QTY	Name
2	0.008.4624.0	1	'o' ring 60x95x10
4	2.1410.024.1	1	circlip 60
5	2.2030.013.0	1	ball bearing 60x95x18
6	0.255.3825.0/10	1	sleeve
7	2.3171.012.4	1	plug 30
8	0.255.3821.0/10	1	sleeve
9	2.0399.002.1	1	screw m 10 p.1x24
10	0.013.6680.0	1	lever
11	0.001.5945.0/10	2	shoe
12	2.1530.033.0	1	'o' ring 13.10x2.62
13	2.0439.002.1	2	stud bolt m 8 p.1.25x20
14	0.008.0279.3/10	1	lever
15	2.1411.038.1	1	circlip 95



9_54638_00_0_0

Section: FRONT AXEL
4WD - ENGAGEMENT CONTROL

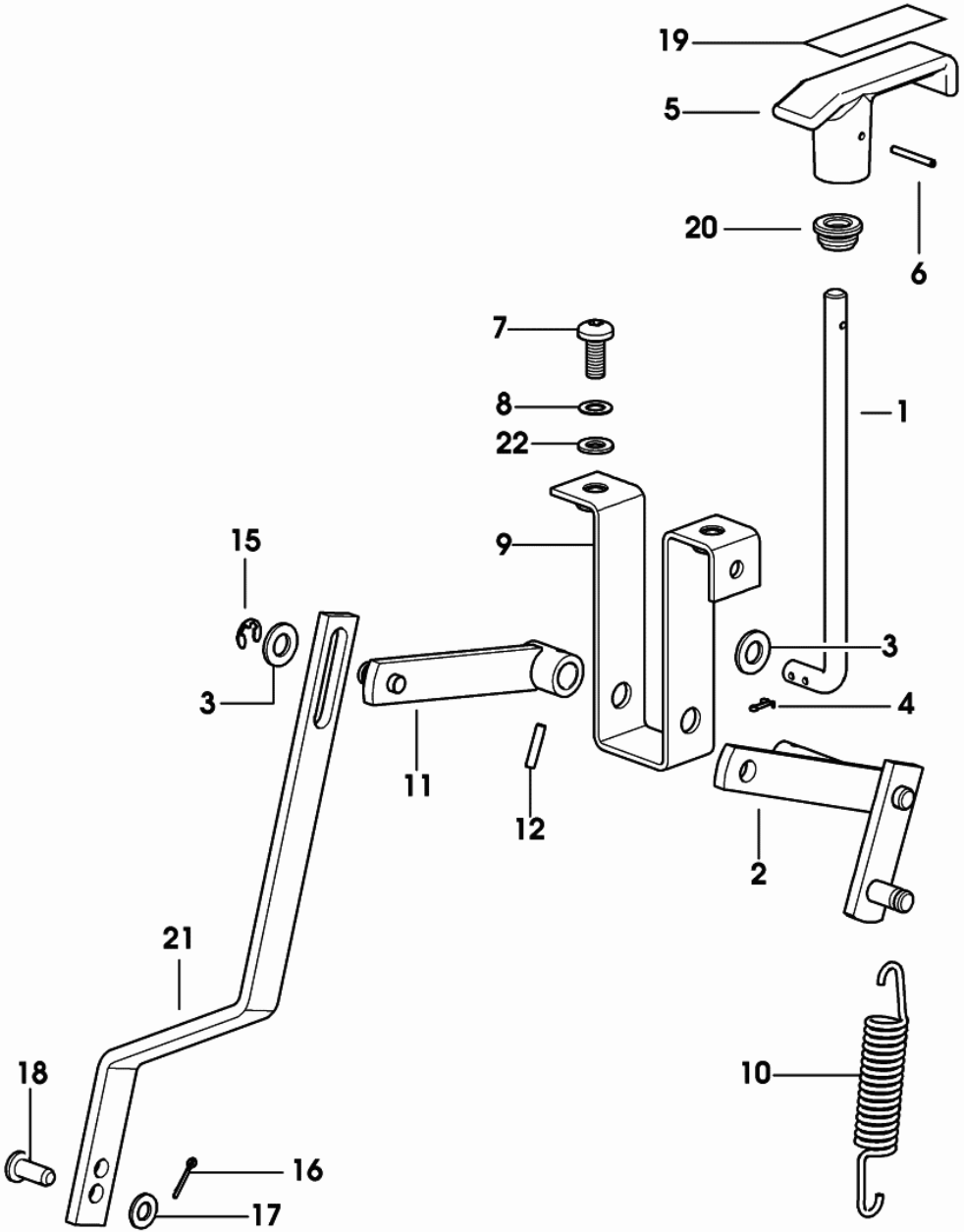


Fig.	Code	QTY	Name
1	0.290.3851.0	1	rod
2	0.290.3840.2/10	1	lever
3	2.1310.006.2	2	flat washer 10.5x20
4	2.1690.207.2	1	split pin 2x18
5	0.257.6862.0	1	grip
6	2.1630.251.9	1	pin
7	2.0330.507.2	2	screw m 8x20
8	2.1470.004.2	2	lock washer 8
9	0.290.3850.2	1	support
10	2.4049.139.1/10	1	spring
11	0.014.1886.2	1	lever
12	2.1632.409.2	1	pin
15	2.1430.008.7	1	circlip 7
16	2.1690.206.2	1	split pin 2x16
17	2.1310.004.2	1	flat washer 8.4x16
18	2.1671.304.2	1	pin
19	2.9919.718.0	1	plate
20	0.255.6858.0/10	1	rubber plug 18x5
21	0.014.1913.0/10	1	rod
22	2.1310.004.2	2	flat washer 8.4x16

9_C2668_01_0_0

Section: FRONT AXEL
4WD - TRANSMISSION SHAFT

9_54326_00_0_0

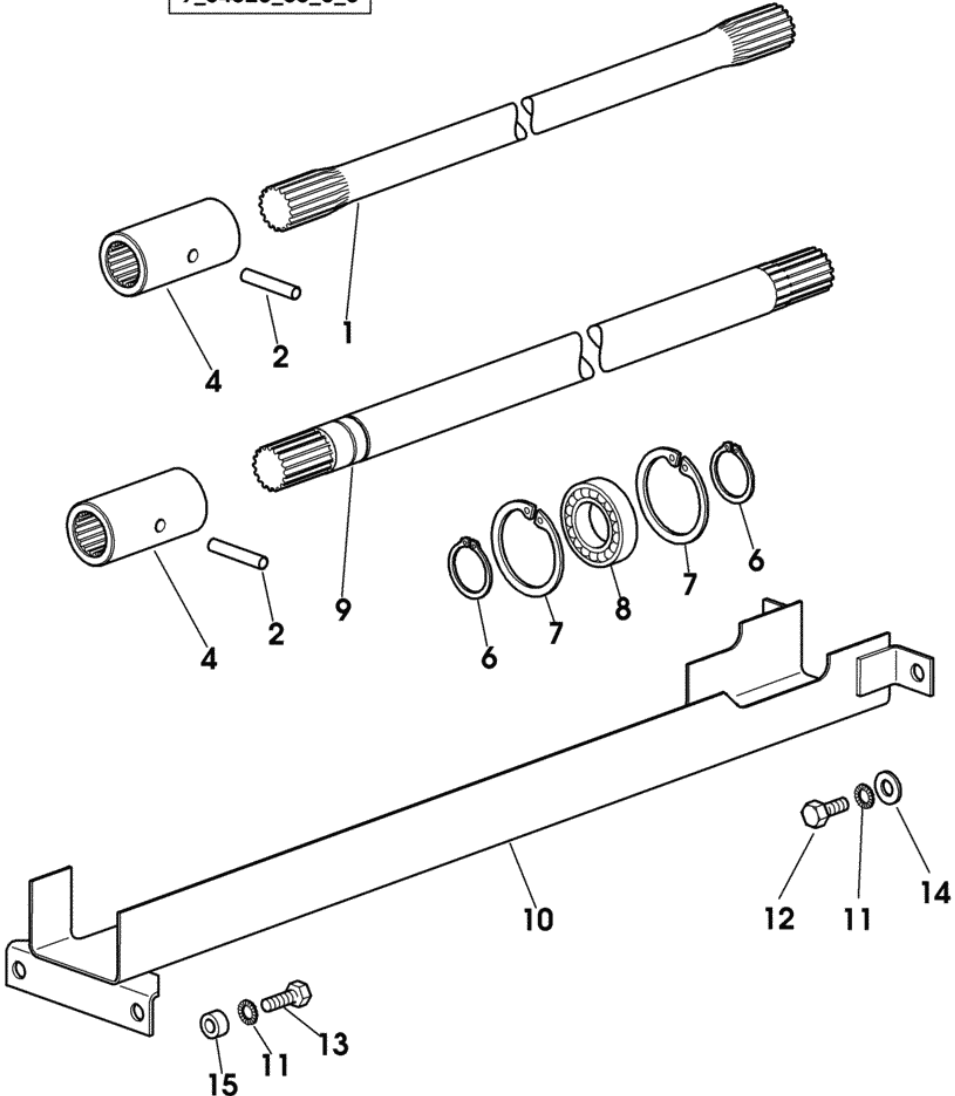


Fig.	Code	QTY	Name
1	0.255.2613.0	1	transmission shaft mm 553
2	2.1631.718.0	2	roll pin 8x45
4	0.255.2617.0/10	2	sleeve
6	2.1410.012.1	2	circlip 30
7	2.1411.022.1	2	circlip 55
8	2.2999.469.0	1	bearing 30x55x13
9	0.255.2616.0/20	1	transmission shaft mm 932.5
10	0.255.2632.2/30	1	guard
11	2.1470.004.2	4	lock washer 8
12	2.0112.205.2	2	screw m 8 p.1.25x16
13	2.0112.209.2	2	screw m 8 p 1.25x25
14	2.1310.004.2	2	flat washer 8.4x16
15	2.1579.987.2	2	spacer 8.5x16x8

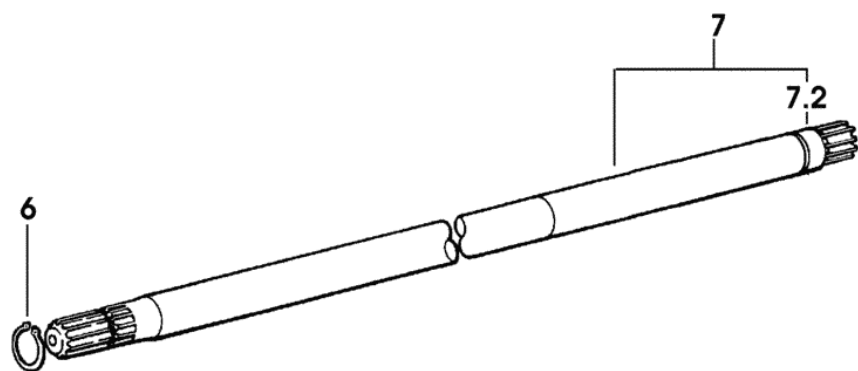
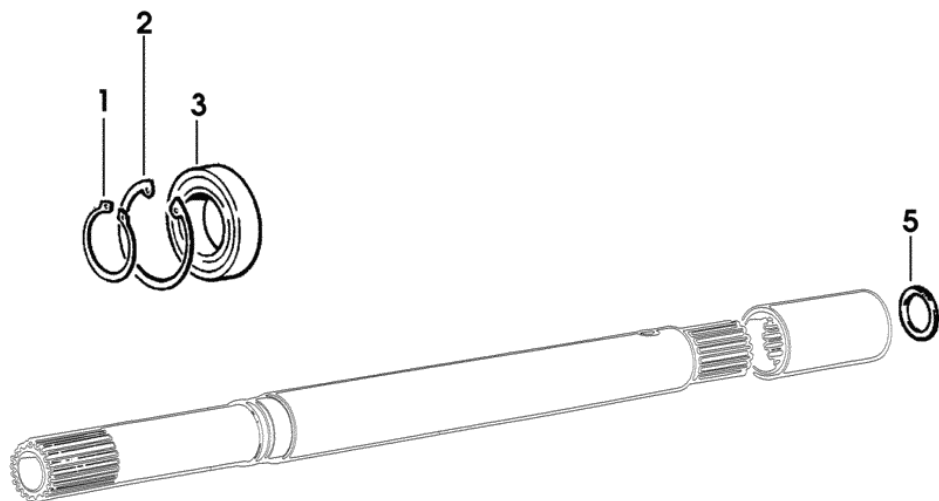
EXPLORER 75 T

FRONT AND REAR P.T.O.

P.T.O. - CLUTCH TRANSMISSION SHAFT.....	234
P.T.O. - PUMP CONTROL.....	236
P.T.O. SHAFT DRIVE FOR TYPES WITH MECHANICAL CONTROLS.....	238
P.T.O. - 2 SPEED TYPE.....	240
P.T.O. - 2 SPEED TYPE.....	241
4 SPEED P.T.O.....	243
4 SPEED P.T.O.....	244
P.T.O. - FIXED END SHAFT - FOR 2-SPEED STANDARD SEALS.....	247
P.T.O. - FIXED END SHAFT - FOR 4-SPEED STANDARD SEALS.....	248
PTO - 2-SPEED WITH INSERTED END SHAFT.....	249
P.T.O - 4-SPEED WITH INSERTED END SHAFT.....	251
ROAD P.T.O. SHAFT WATER PROOF.....	253
P.T.O. - SYNCHRONIZED.....	255
COVER FOR TYPES WITHOUT SYNCHRO PTO.....	257
PTO - SEAL RING FOR INSERTED END SHAFT - STANDARD VERSION.....	260
PTO - SEAL RING FOR INSERTED END SHAFT - WATER PROOF VERSION.....	261
P.T.O. SHAFT DRIVE.....	262
P.T.O. - ECONOMICAL CONTROL.....	264
P.T.O. - SYNCHRONIZED CONTROL.....	267
P.T.O. SHAFT PROTECTOR REAR.....	270

P.T.O. - CLUTCH TRANSMISSION SHAFT

Fig.	Code	QTY	Name
1	2.1410.016.1	1	circlip 40x1.75
2	2.1411.027.1	2	circlip 68
3	2.2999.306.0/10	1	bearing 40x68x15
5	2.1519.086.0	1	'o' ring 25x33x6
6	2.1410.009.1	1	circlip 24
7	0.255.2520.3/30	1	p.t.o.shaft
7.2	0.255.2550.0	1	ring



9_54325_00_0_0

P.T.O. - PUMP CONTROL

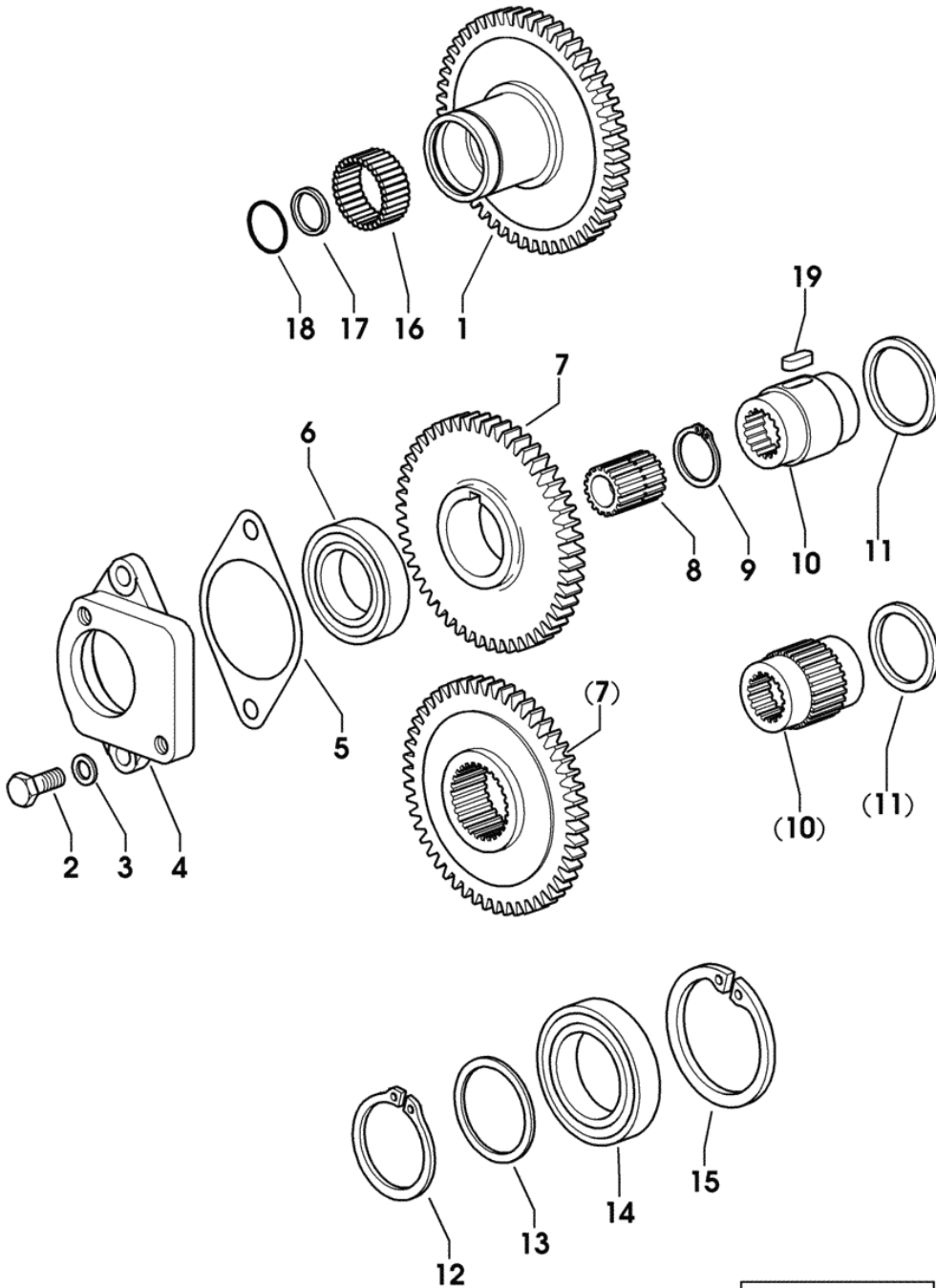


Fig.	Code	QTY	Name
1	0.010.7443.0	1	gear z = 53
2	2.0112.309.2	4	screw m 10 p.1.5x25
3	2.1560.006.0	4	gasket 10.5
4	0.255.3942.0/20	2	flange
5	0.255.3953.0/10	2	gasket
6	2.2030.009.0	2	ball bearing 40x68x15
7	0.013.7788.0	1	gear z=51
8	0.008.4464.0/30	2	sleeve
9	2.1410.011.1	2	circlip 28
10	0.013.7789.0	1	sleeve
11	2.1599.884.0	2	shim 45x55x4
12	2.1410.020.1	1	circlip 50
13	2.1599.426.0	2	snoulder 50x60x2.5
14	2.2030.011.0	2	ball bearing 50x80x16
15	2.1411.032.1	1	circlip 80
16	2.2999.357.0	1	bearing 42x35x17.8
17	2.1549.372.0	1	spacer 42.5x35.15x5
18	2.1423.031.7	1	snoulder 43.8x1.5
19	2.1710.205.0	1	dowel 8x7x20

EXPLORER 75 T

Section: FRONT AND REAR P.T.O.

Ref.: 238

P.T.O. SHAFT DRIVE FOR TYPES WITH MECHANICAL CONTROLS

9_50839_01_0_0

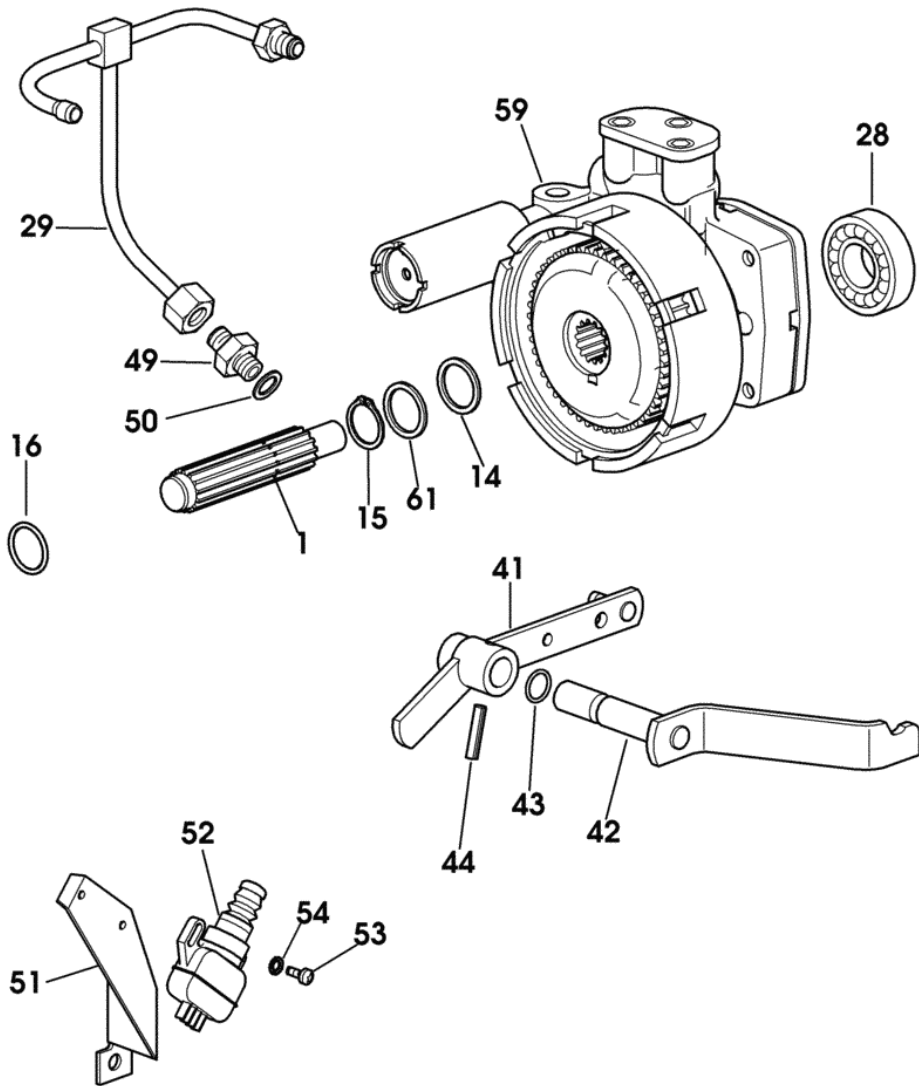


Fig.	Code	QTY	Name
1	0.255.3930.0/40	1	shaft
14	2.1530.048.0	1	'o' ring 18.72x2.62
15	2.1410.009.1	1	circlip 24
16	2.1530.062.0	1	'o' ring 23.81x2.62
28	2.2043.009.0	1	ball bearing 30x62x16
29	0.255.3957.2/40	1	tube
41	0.008.8416.2/10	1	lever
42	0.255.3916.2	1	small lever
43	2.1530.028.0	1	'o' ring 11.91x2.62
44	2.1630.612.0	1	roll pin 6x28
49	2.3339.453.2	1	pipe fitting m 12 p.1.25-1/2"
50	2.1560.008.0	1	gasket 12.2x18
51	0.008.3238.0	1	bracket
52	2.7659.096.0/10	1	switch
53	2.0332.203.2	2	screw m 4x10
54	2.1470.052.2	2	lock washer 4
59	0.014.0501.4	1	hydraulic pto clutch ☞ 597 1206 <- X EXPLORER 75 T 1049 <- X EXPLORER 75 TB => 597
59	0.014.0501.4/10	1	hydraulic pto clutch ☞ 598 -> 1207 X EXPLORER 75T -> 1050 X EXPLORER 75TB X EXPLORER 85TB => 598
61	2.1599.761.0	1	thrust plate 24x30x2

EXPLORER 75 T

Section: FRONT AND REAR P.T.O.

Ref.: 240

P.T.O. - 2 SPEED TYPE

9_51136_05_0_0

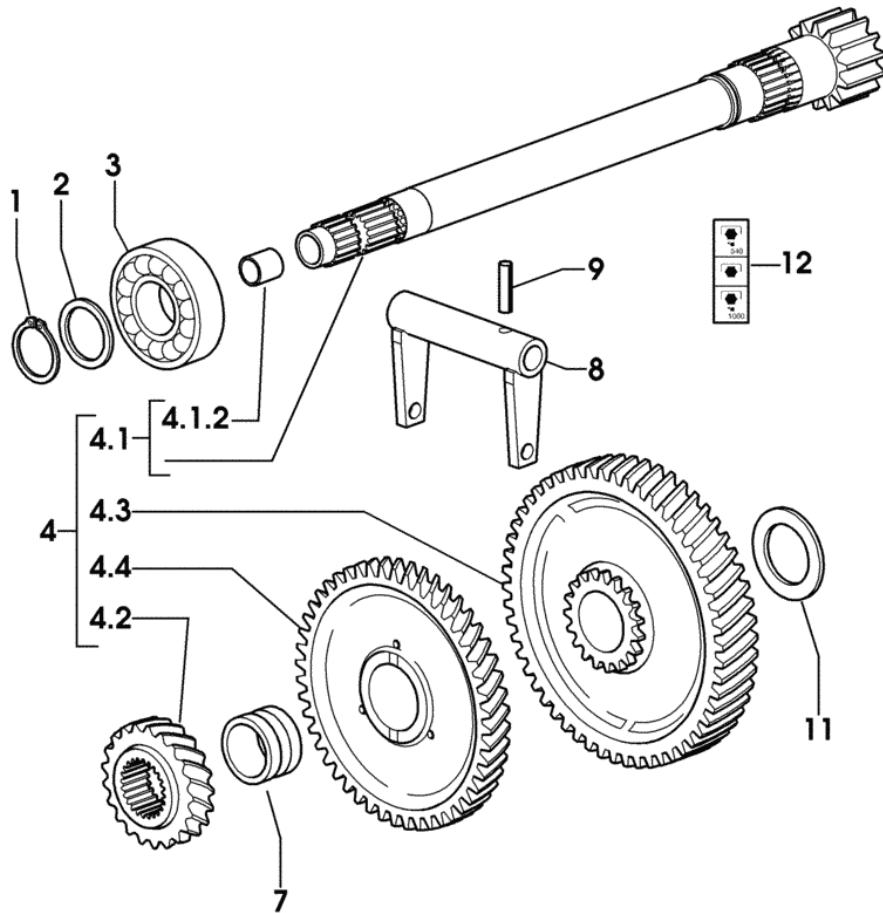


Fig.	Code	QTY	Name
------	------	-----	------

Notes:

1141 <- X EXPLORER 75 T 1029 <- X EXPLORER 75 TB 1035 <- X EXPLORER 85 TB

1	2.1410.014.1	1	circlip 35
2	2.1599.874.0	1	washer 35x45x3
3	2.2060.011.0	1	ball bearing 35x80x21
4	0.000.0000.1	0	not serviceable
4.1	0.255.3650.3/30	1	shaft
4.1.2	2.1559.023.0/10	1	bushing 15.8x19x20
4.2	0.255.3651.0/10	1	gear z=21
4.3	0.255.3653.0/20	1	gear
4.4	0.255.3655.0/20	1	gear
7	0.255.3662.0	1	bushing 35x44x27
8	0.255.3658.2	1	fork
9	2.1631.715.0	1	roll pin 8x32
11	0.255.3450.0	1	snoulder 40x60x3.5
12	2.9919.824.0/10	1	plate

EXPLORER 75 T

Section: FRONT AND REAR P.T.O.

Ref.: 241

P.T.O. - 2 SPEED TYPE

9_50836_06_0_0

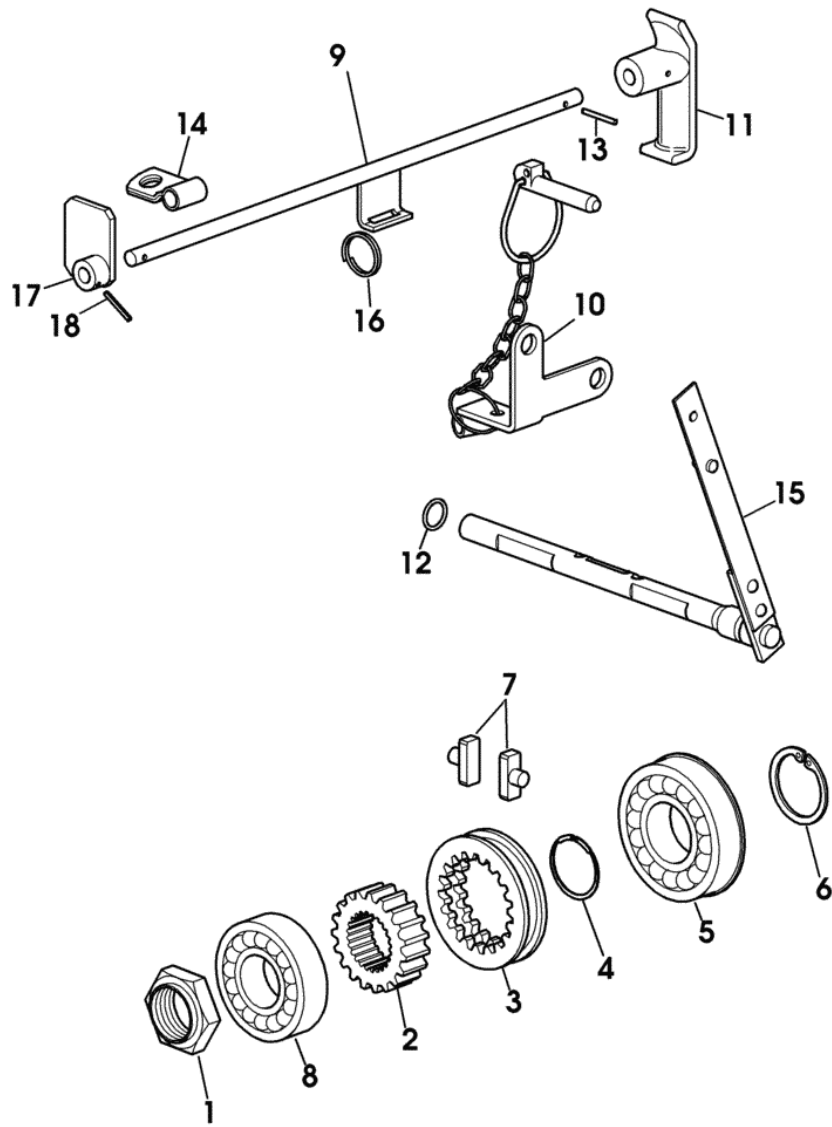


Fig.	Code	QTY	Name
1	0.255.3661.0	1	ring nut m 35x1.5
2	0.255.3455.0	1	hub z=19
3	0.255.3438.0/20	1	sleeve
4	2.1499.034.1	1	circlip 40x1.75
5	2.2062.012.0	2	ball bearing 40x90x23
6	2.1410.014.1	1	circlip 35
7	0.255.6463.0	2	shoe
8	2.2060.011.0	1	ball bearing 35x80x21
9	0.008.3316.2	1	rod
10	0.255.3665.3/10	1	split pin
11	0.257.6862.0	1	grip
12	2.1530.038.0	1	'o' ring 15.54x2.62
13	2.1630.212.9	1	roll pin 3x28
14	2.6859.078.0	1	clamp
15	0.007.3494.3/10	1	lever
16	2.4099.052.1	1	spring
17	0.008.3300.2	1	small plate
18	2.1630.211.0	1	roll pin 3x24

4 SPEED P.T.O.

9_51136_00_0_A

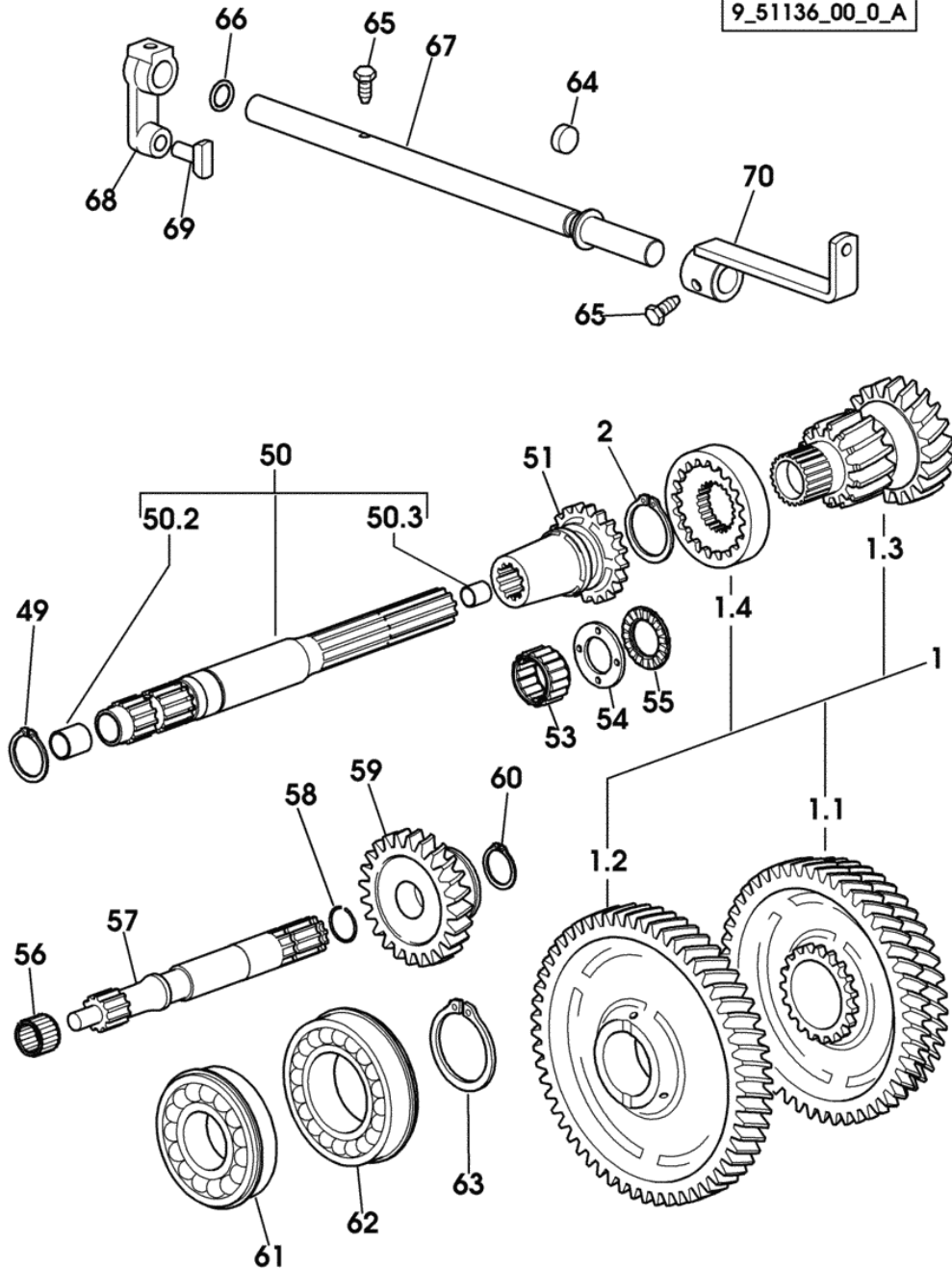


Fig.	Code	QTY	Name
1	0.000.0000.1	0	not serviceable
1.1	0.007.3480.0/10	1	gear
1.2	0.007.3481.0	1	gear
1.3	0.008.4472.0	1	gear
1.4	0.008.4425.0	1	crown wheel
2	2.1410.014.1	1	circlip 35
49	2.1410.012.1	1	circlip 30
50	0.007.3479.3/10	1	shaft
50.2	2.1552.101.0	1	bushing 12x14x15
50.3	2.1559.023.0/10	1	bushing 15.8x19x20
51	0.008.4423.0/10	1	sleeve
53	2.2999.198.0	1	roller cage 25x37x20
54	2.1579.958.0	1	spacer 25x44x3
55	2.2999.229.0	1	roller cage 25x42x2
56	2.2999.208.0	2	roller cage 20x26x8.8
57	0.007.3472.0/30	1	small shaft
58	2.1420.009.1	1	circlip a 22
59	0.007.3469.0	1	gear z = 23
60	2.1410.010.1	2	circlip 25
61	2.2999.235.0	1	bearing 35x80x21
62	2.2043.014.0	1	ball bearing 50x90x20
63	2.1410.020.1	1	circlip 50
64	2.3171.007.4	1	plug 18
65	2.0399.019.1	2	screw m 8 p.1x16
66	2.1530.033.0	1	'o' ring 13.10x2.62
67	0.014.2729.3	1	rod
68	0.007.3492.0	1	small lever
69	0.001.5945.0/10	1	shoe
70	0.014.2731.2	1	lever

EXPLORER 75 T

Section: FRONT AND REAR P.T.O.

Ref.: 244

4 SPEED P.T.O.

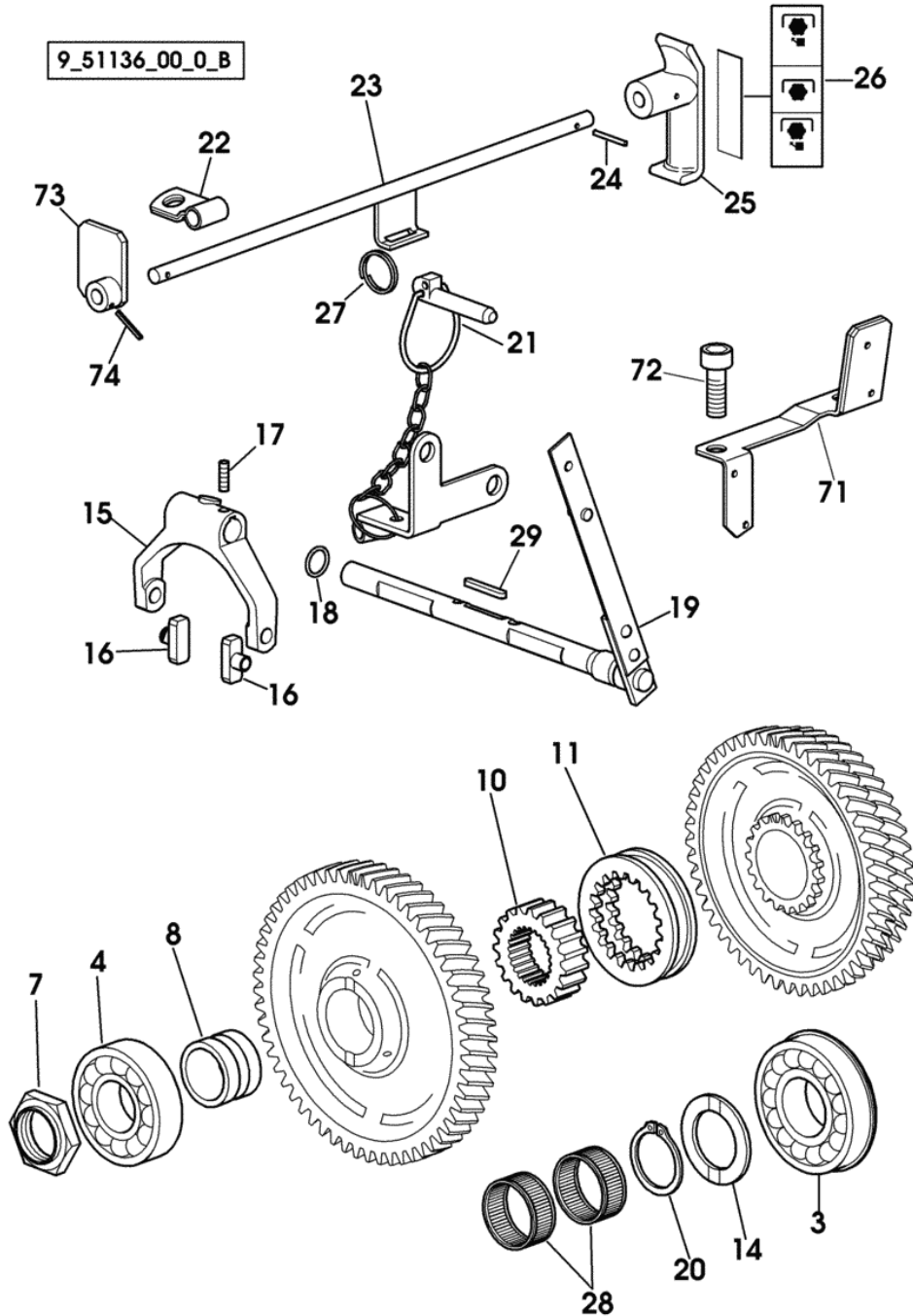


Fig.	Code	QTY	Name
3	2.2062.012.0	1	ball bearing 40x90x23
4	2.2060.011.0	1	ball bearing 35x80x21
7	0.255.3661.0	1	ring nut m 35x1.5
8	0.007.3471.0/10	1	bushing
10	0.013.1306.0	1	hub z = 19
11	0.255.3438.0/20	1	sleeve
14	0.255.3450.0	1	snoulder 40x60x3.5
15	0.007.3487.0	1	fork
16	0.255.6463.0	2	shoe
17	2.0512.108.7	1	screw m 6 p.1x20
18	2.1530.038.0	1	'o' ring 15.54x2.62
19	0.007.3494.3/10	1	lever
20	2.1412.015.7	1	circlip 40x2.5
21	0.255.3665.3/10	1	split pin
22	2.6859.078.0	1	clamp
23	0.008.3316.2	1	rod
24	2.1630.212.9	1	roll pin 3x28
25	0.257.6862.0	1	grip
26	2.9929.267.0/20	1	plate
27	2.4099.052.1	1	spring
28	2.2770.073.0	2	roller cage 40x47x18
29	2.1711.011.0	1	dowel 5x3x36
71	0.014.2728.2	1	bracket
72	2.0312.412.2	2	screw m 12 p.1.75x35
73	0.008.3300.2	1	small plate
74	2.1630.211.0	1	roll pin 3x24

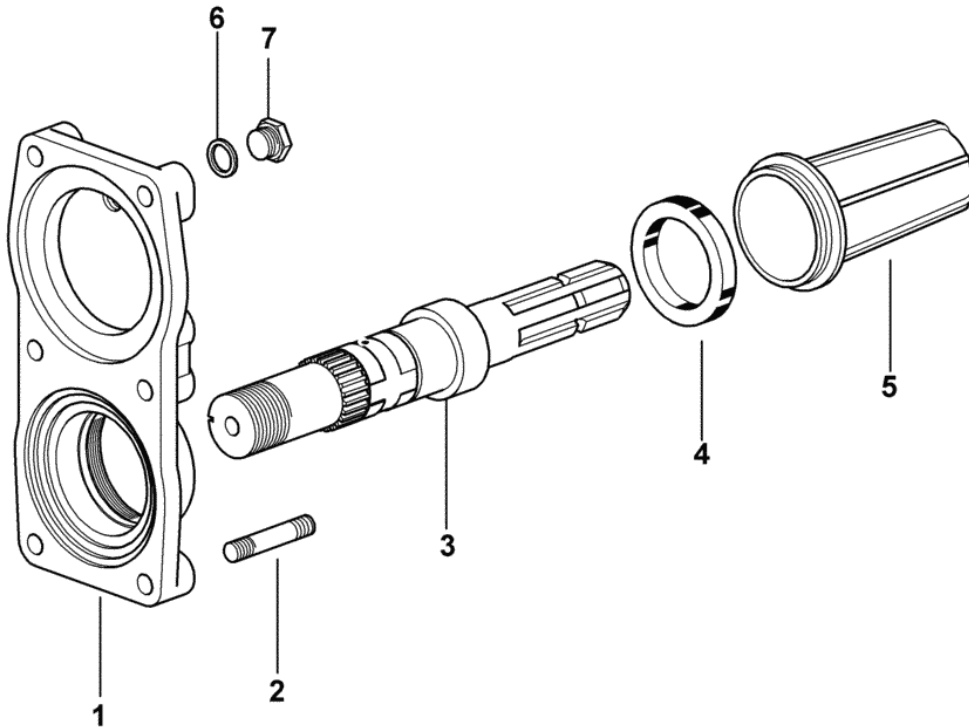
EXPLORER 75 T

Section: FRONT AND REAR P.T.O.

Ref.: 247

P.T.O. - FIXED END SHAFT - FOR 2-SPEED STANDARD SEALS

Fig.	Code	QTY	Name
1	0.010.7888.0	1	cover
2	2.0432.161.7	6	stud bolt m 10 p.1.5-1.25x40
3	0.255.3652.0/30	1	p.t.o.shaft
4	2.1529.079.0	1	'o' ring 50x68x10
5	0.154.3655.0/10	1	guard
6	2.1560.010.0	1	gasket 14.2x20
7	2.3110.403.1	1	plug m 14 p.1.5



9_B8636_08_0_0

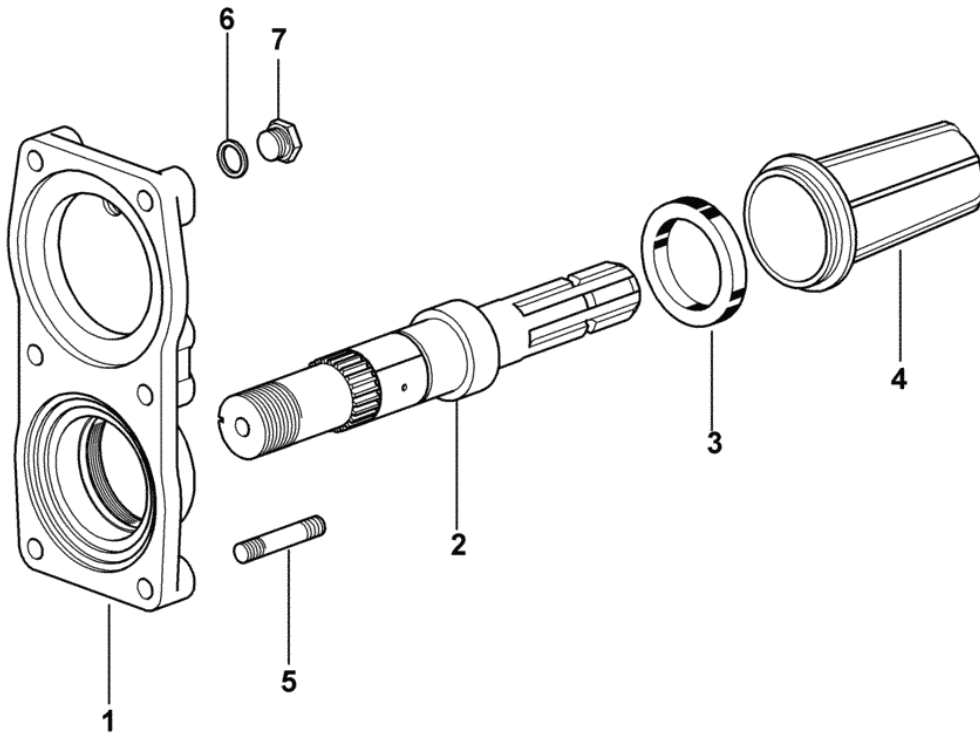
EXPLORER 75 T

Section: FRONT AND REAR P.T.O.

Ref.: 248

P.T.O. - FIXED END SHAFT - FOR 4-SPEED STANDARD SEALS

Fig.	Code	QTY	Name
1	0.010.7888.0	1	cover
2	0.007.3475.0/20	1	p.t.o.shaft
3	2.1529.079.0	1	'o' ring 50x68x10
4	0.154.3655.0/10	1	guard
5	2.0432.161.7	6	stud bolt m 10 p.1.5-1.25x40
6	2.1560.010.0	1	gasket 14.2x20
7	2.3110.403.1	1	plug m 14 p.1.5



9_B8636_06_0_0

PTO - 2-SPEED WITH INSERTED END SHAFT

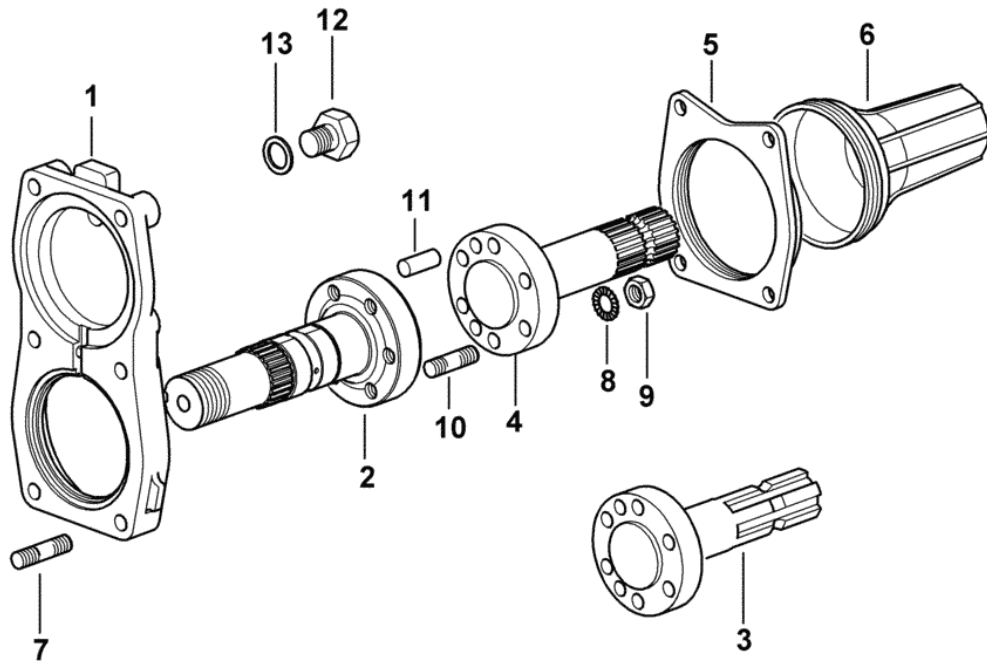


Fig.	Code	QTY	Name
1	0.009.6901.0	1	cover
2	0.255.3663.0/20	1	shaft P.T.O.
3	0.167.3660.0/30	1	p.t.o.shaft 1" 3/8 z=6
4	0.163.3671.0/40	1	p.t.o.shaft 1" 3/8 z=21
5	0.445.3151.0	1	flange
6	0.008.0757.0	1	guard
7	2.0432.161.7	6	stud bolt m 10 p.1.5-1.25x40
8	2.1470.006.2	6	lock washer 10
9	2.1011.421.2	6	nut M10x1.25
10	2.0432.155.7	6	stud bolt m 10 p.1.5-1.25x25
11	2.1651.811.0	2	cylindrical plug 10x25
12	2.3110.403.1	1	plug m 14 p.1.5
13	2.1560.010.0	1	gasket 14.2x20

9_B8636_11_0_0

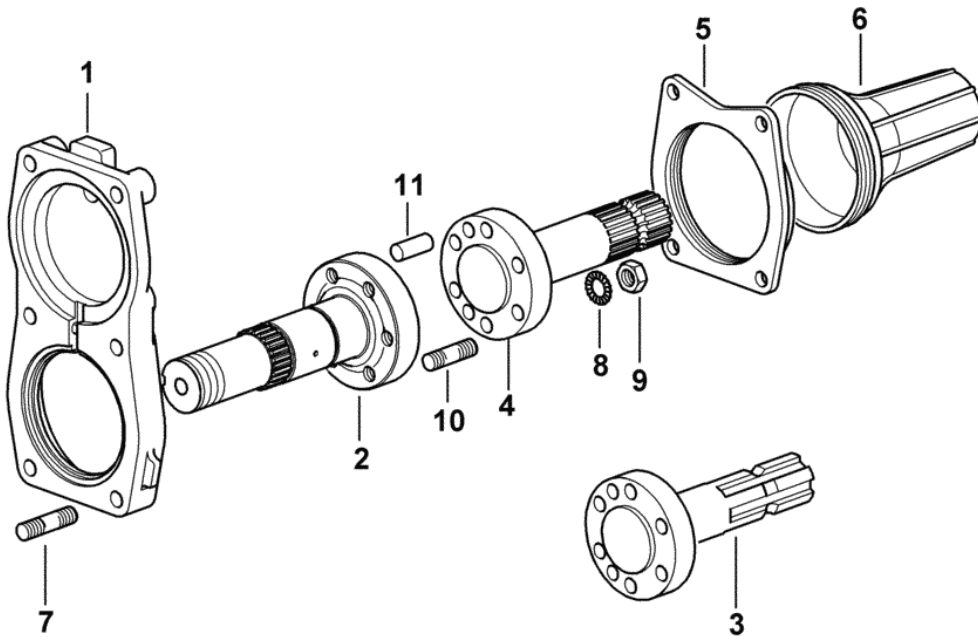
EXPLORER 75 T

Section: FRONT AND REAR P.T.O.

Ref.: 251

P.T.O - 4-SPEED WITH INSERTED END SHAFT

Fig.	Code	QTY	Name
1	0.009.6901.0	1	cover
2	0.007.3474.0/20	1	p.t.o.shaft
3	0.167.3660.0/30	1	p.t.o.shaft 1" 3/8 z=6
4	0.163.3671.0/40	1	p.t.o.shaft 1" 3/8 z=21
5	0.445.3151.0	1	flange
6	0.008.0757.0	1	guard
7	2.0432.161.7	6	stud bolt m 10 p.1.5-1.25x40
8	2.1470.006.2	6	lock washer 10
9	2.1011.421.2	6	nut M10x1.25
10	2.0432.155.7	6	stud bolt m 10 p.1.5-1.25x25
11	2.1651.811.0	2	cylindrical plug 10x25



9_B8636_10_0_0

EXPLORER 75 T

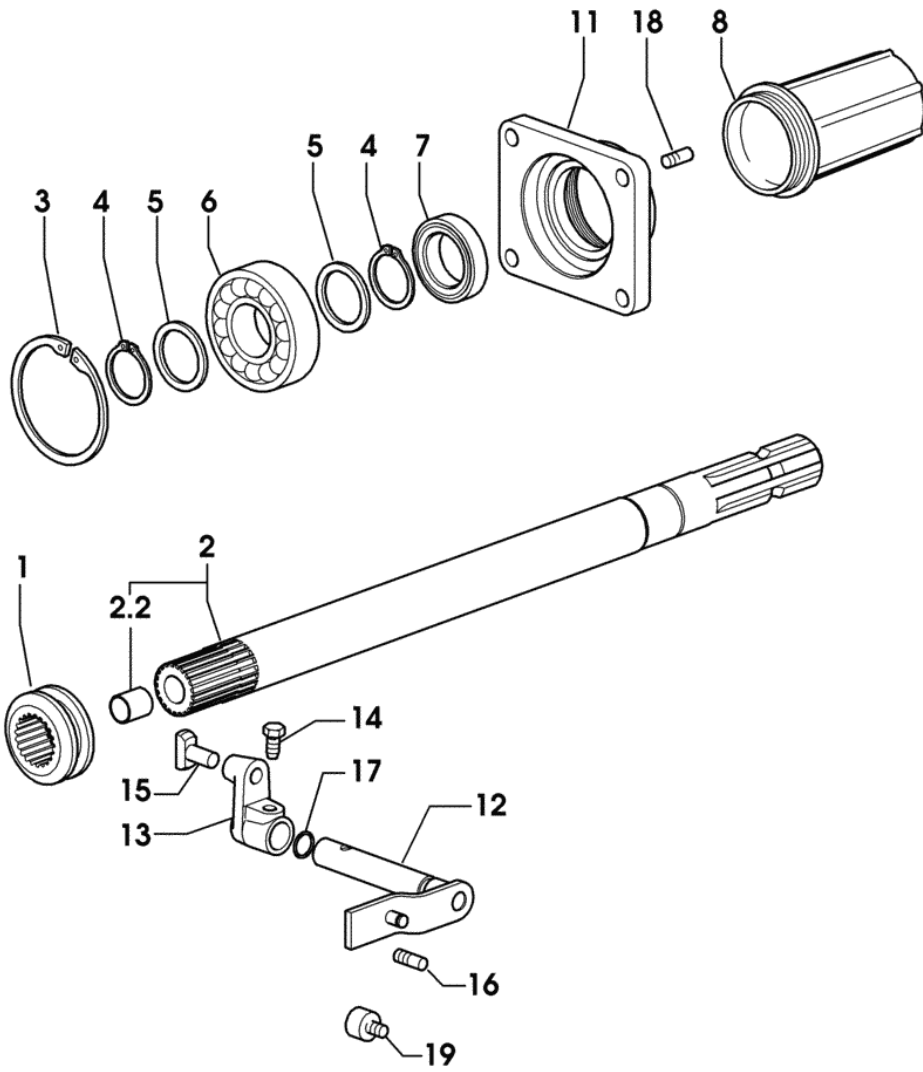
Section: FRONT AND REAR P.T.O.

Ref.: 253

ROAD P.T.O. SHAFT WATER PROOF

9_54536_01_0_0

Fig.	Code	QTY	Name
1	0.255.3469.0	1	sleeve
2	0.255.3471.3/30	1	p.t.o.shaft
2.2	2.1559.023.0/10	1	bushing 15.8x19x20
3	2.1411.032.1	1	circlip 80
4	2.1410.014.1	2	circlip 35
5	2.1599.874.0	2	washer 35x45x3
6	2.2060.011.0	1	ball bearing 35x80x21
7	2.1529.107.0	1	'o' ring
8	0.154.3655.0/10	1	guard
11	0.255.3150.0/10	1	cover
12	0.255.3468.2/10	1	lever
13	0.255.3470.0	1	lever
14	2.0399.019.1	1	screw m 8 p.1x16
15	0.001.5945.0/10	1	shoe
16	2.0439.002.1	1	stud bolt m 8 p.1.25x20
17	2.1530.033.0	1	'o' ring 13.10x2.62
18	2.0432.155.7	4	stud bolt m 10 p.1.5-1.25x25
19	2.0239.003.2	1	screw



EXPLORER 75 T

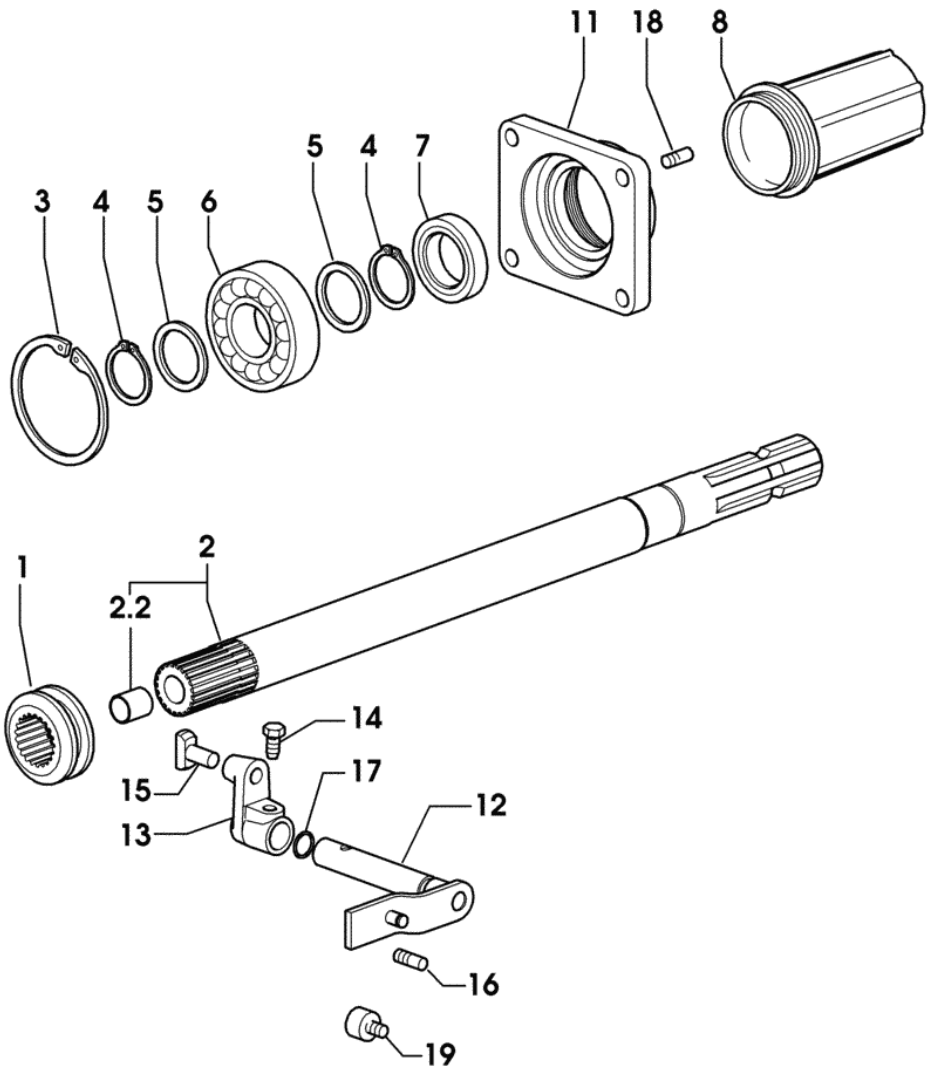
Section: FRONT AND REAR P.T.O.

Ref.: 255

P.T.O. - SYNCHRONIZED

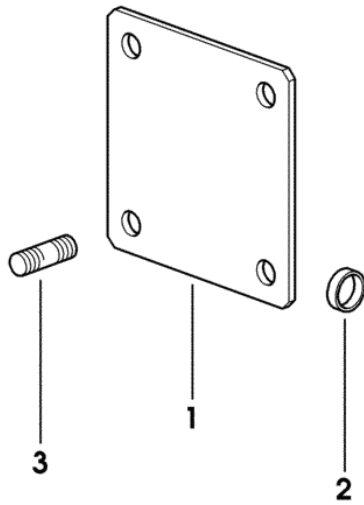
9_54536_01_0_0

Fig.	Code	QTY	Name
1	0.255.3469.0	1	sleeve
2	0.255.3471.3/30	1	p.t.o.shaft
2.2	2.1559.023.0/10	1	bushing 15.8x19x20
3	2.1411.032.1	1	circlip 80
4	2.1410.014.1	2	circlip 35
5	2.1599.874.0	2	washer 35x45x3
6	2.2060.011.0	1	ball bearing 35x80x21
7	2.1520.017.0	1	'o' ring 35x55x11
8	0.154.3655.0/10	1	guard
11	0.255.3150.0/10	1	cover
12	0.255.3468.2/10	1	lever
13	0.255.3470.0	1	lever
14	2.0399.019.1	1	screw m 8 p.1x16
15	0.001.5945.0/10	1	shoe
16	2.0439.002.1	1	stud bolt m 8 p.1.25x20
17	2.1530.033.0	1	'o' ring 13.10x2.62
18	2.0432.155.7	4	stud bolt m 10 p.1.5-1.25x25
19	2.0239.003.2	1	screw



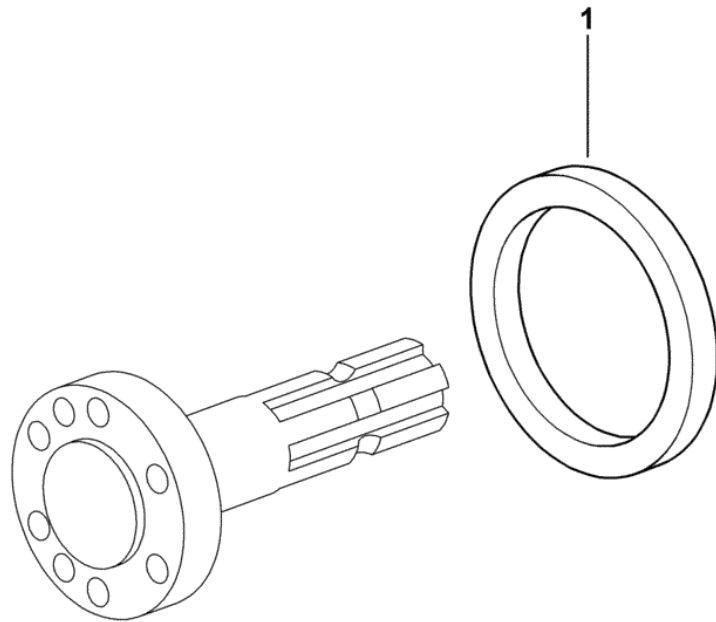
COVER FOR TYPES WITHOUT SYNCHRO PTO

Fig.	Code	QTY	Name
1	0.255.3131.0	1	flange
2	2.3171.007.4	1	plug 18
3	2.0432.155.7	4	stud bolt m 10 p.1.5-1.25x25



PTO - SEAL RING FOR INSERTED END SHAFT - STANDARD VERSION

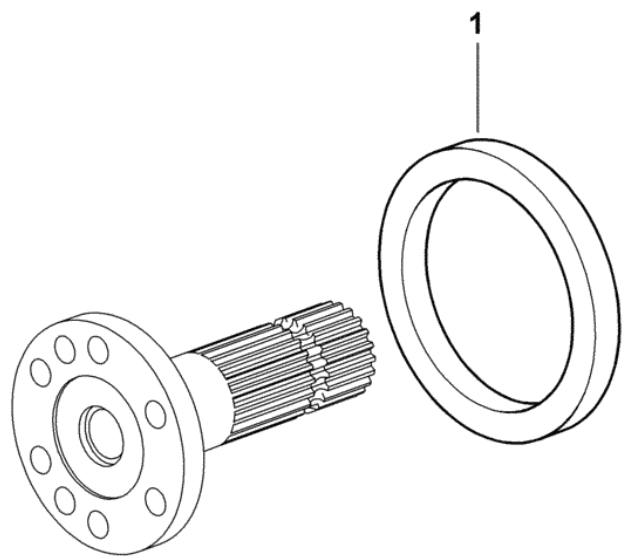
Fig.	Code	QTY	Name
1	2.1520.043.0	1	'o' ring 85x110x12



9_52636_03_0_0

PTO - SEAL RING FOR INSERTED END SHAFT - WATER PROOF VERSION

Fig.	Code	QTY	Name
1	2.1529.120.0	1	'o' ring 85x110x13



9_40536_02_0_0

P.T.O. SHAFT DRIVE

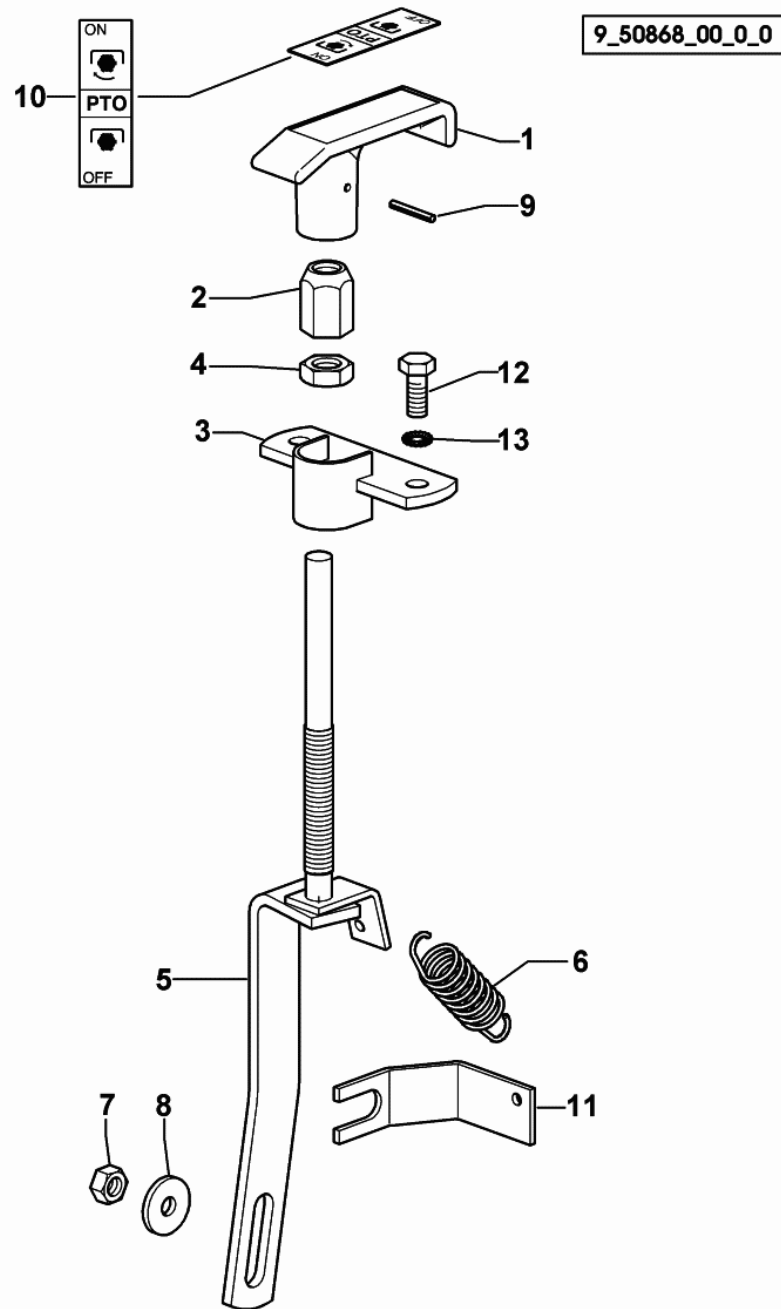


Fig.	Code	QTY	Name
1	0.257.6862.0	1	grip
2	2.1099.110.2/10	1	small block
3	0.008.8237.2	1	support
4	2.1011.107.2	1	nut m 12 p.1.75
5	0.008.8481.2	1	rod
6	2.4049.001.1	1	spring
7	2.1011.105.2	1	nut m 8 p.1.25
8	2.1579.837.2	1	spacer 8x25x3
9	2.1631.211.0	1	roll pin 3x24
10	2.9919.915.0/20	1	plate
11	0.290.6868.0/10	1	square
12	2.0364.307.2	2	screw m 8x20
13	2.1470.004.2	2	lock washer 8

P.T.O. - SYNCHRONIZED CONTROL

9_50868_02_0_0

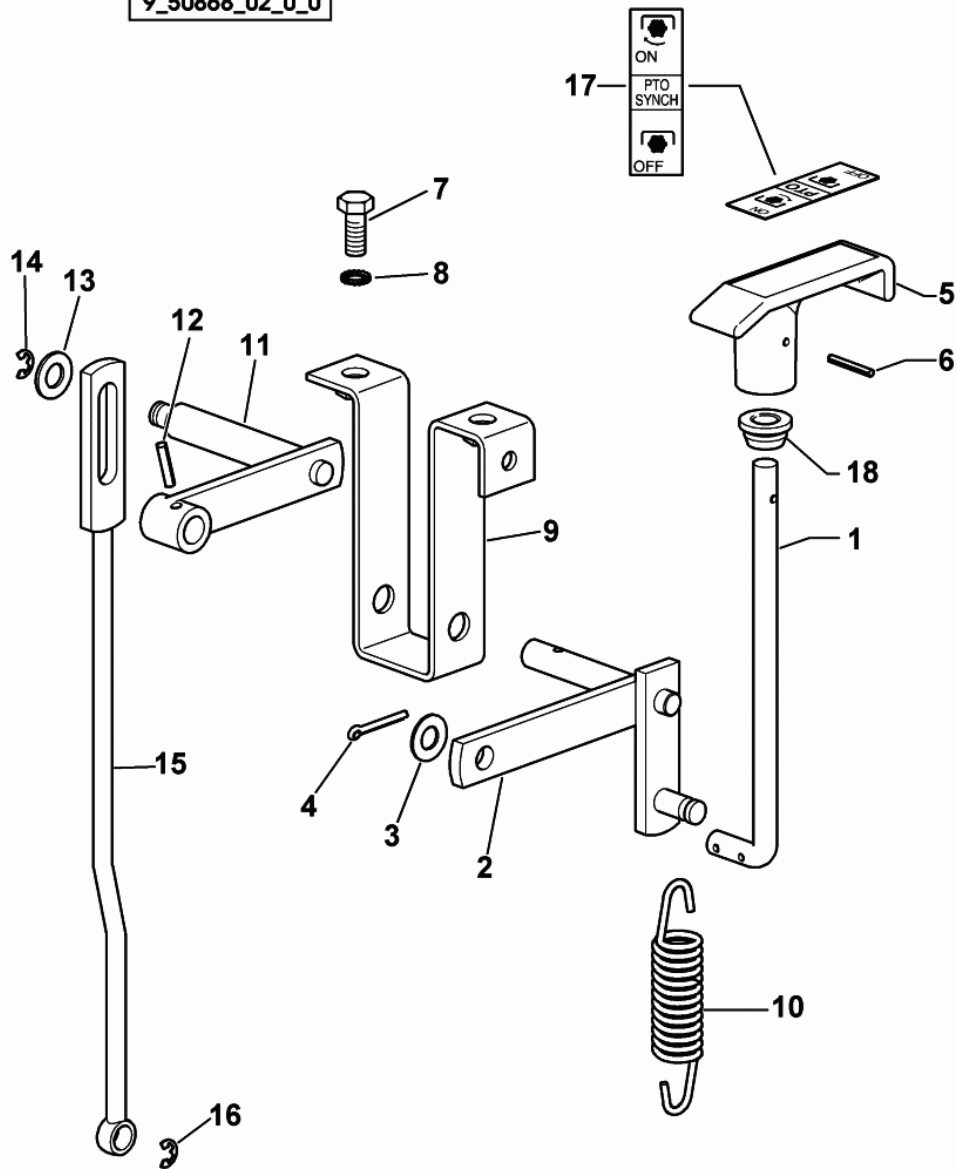
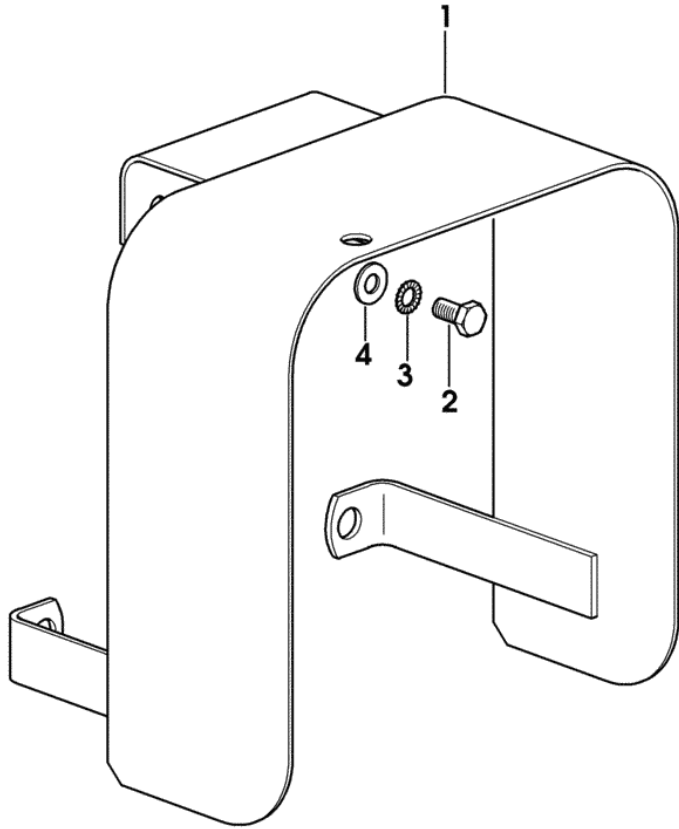


Fig.	Code	QTY	Name
1	0.290.3851.0	1	rod
2	0.290.3840.2/10	1	lever
3	2.1310.006.2	2	flat washer 10.5x20
4	2.1690.207.2	2	split pin 2x18
5	0.257.6862.0	1	grip
6	2.1630.251.9	1	pin
7	2.0364.307.2	2	screw m 8x20
8	2.1470.004.2	2	lock washer 8
9	0.290.3850.2	1	support
10	2.4049.139.1/10	1	spring
11	0.290.6850.2/40	1	lever
12	2.1630.410.0	1	roll pin 4x20
13	2.1310.006.2	1	flat washer 10.5x20
14	2.1430.008.7	1	circlip 7
15	0.008.8263.2	1	rod
16	2.1439.003.0	1	circlip 6
17	2.9929.056.0/10	1	plate
18	0.255.6858.0/10	1	rubber plug 18x5

P.T.O. SHAFT PROTECTOR REAR

Fig.	Code	QTY	Name
1	0.97915.10.2/30	1	guard
2	2.0112.307.2	2	screw m 10 p.1.5x20
3	2.1470.006.2	2	lock washer 10
4	2.1310.006.2	2	flat washer 10.5x20



9_50836_20_0_0

EXPLORER 75 T

GEAR

GEAR CHANGE BOX 5 SPEED.....	85
GEAR CHANGE BOX 5 SPEED SYNCRO POWER.....	86
CLUTCH 12".....	89
CLUTCH CONTROL.....	91
CLUTCH CONTROL.....	92
REAR GEARBOX CASE.....	93
COVER.....	95
COVER.....	96
2WD - COMPLETION.....	97
REAR GEARBOX BRACKETS.....	99
GEAR CHANGE BOX 5 SPEED.....	101
GEAR CHANGE BOX 5 SPEED.....	102
GEAR CHANGE BOX 5 SPEED SYNCRO POWER.....	103
GEAR CHANGE BOX 5 SPEED SYNCRO POWER.....	104
GEAR CHANGE BOX 5 SPEED SYNCRO POWER.....	105
GEAR CHANGE BOX 5 SPEED SYNCRO POWER.....	106
MAIN GEARBOX AND REVERSE SHUTTLE GEARS.....	118
INTERNAL GEARBOX AND REVERSE GEAR CONTROLS.....	119
2-RANGE BOX.....	120
3-RANGE BOX.....	123
4-RANGE BOX.....	125
GEARSHIFT LEVER - FOR TYPES WITHOUT UNDERDRIVE.....	128
GEAR LEVER KNOB CAP.....	133
GEARSHIFT LEVER - FOR SYNCRO POWER TYPES.....	135
REVERSING GEAR UNIT CONTROL.....	136
REVERSING GEAR UNIT CONTROL.....	137
SPEED RANGE REDUCTION GEAR UNIT.....	138
SPEED RANGE REDUCTION GEAR UNIT.....	138.1
BEVEL WHEEL GEAR 30 Km/h.....	141
BEVEL WHEEL GEAR 40 Km/h.....	143
DIFFERENTIAL.....	146
DIFFERENTIAL LOCK CONTROL.....	149
DIFFERENTIAL LOCK CONTROL.....	153

Section: GEAR
GEAR CHANGE BOX 5 SPEED

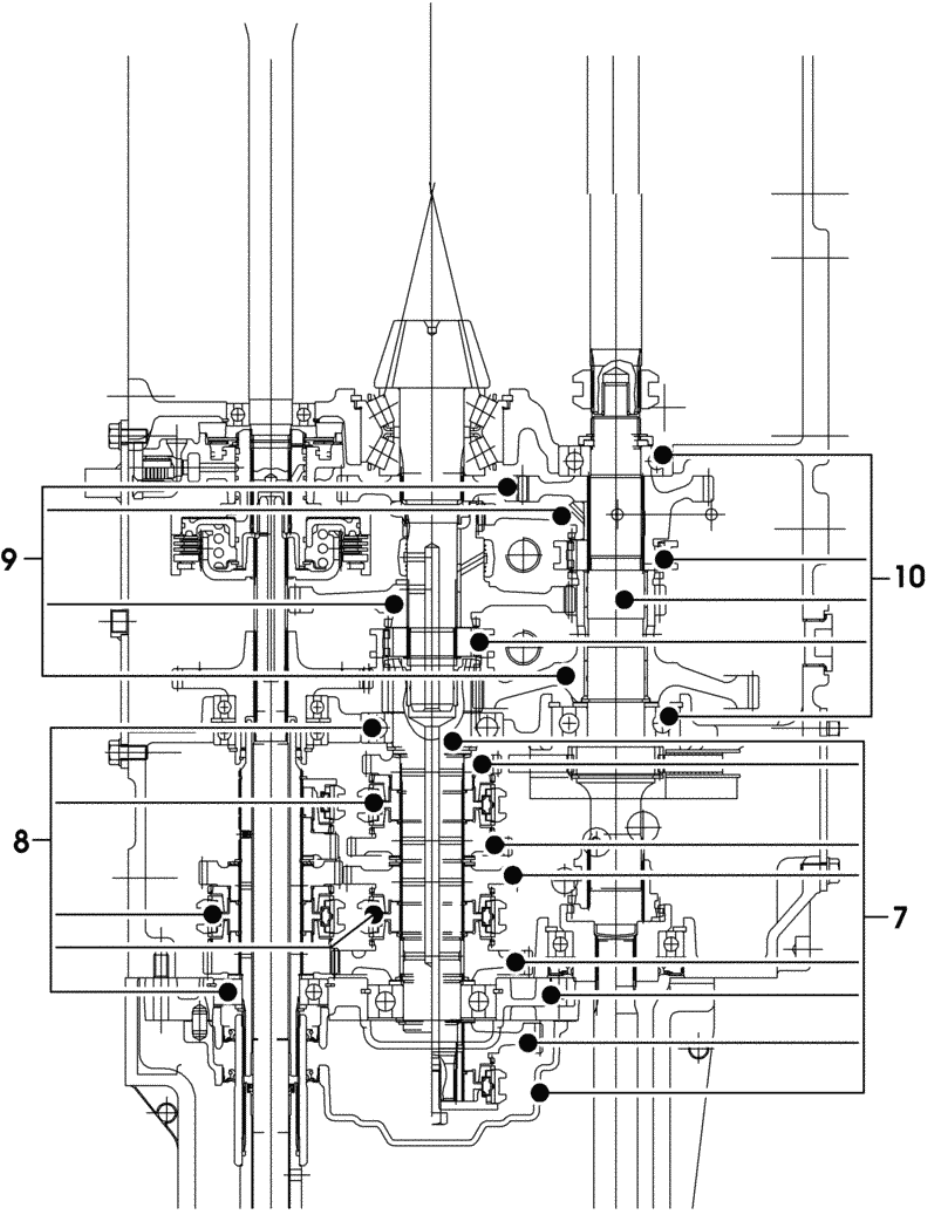


Fig.	Code	QTY	Name
7	0.000.0000.1	-	not serviceable ☞ 101 => 101
8	0.000.0000.1	-	not serviceable ☞ 118 => 118
9	0.000.0000.1	-	not serviceable ☞ 123 => 123
10	0.000.0000.1	-	not serviceable ☞ 120 => 120

Section: GEAR
GEAR CHANGE BOX 5 SPEED SYNCRO POWER

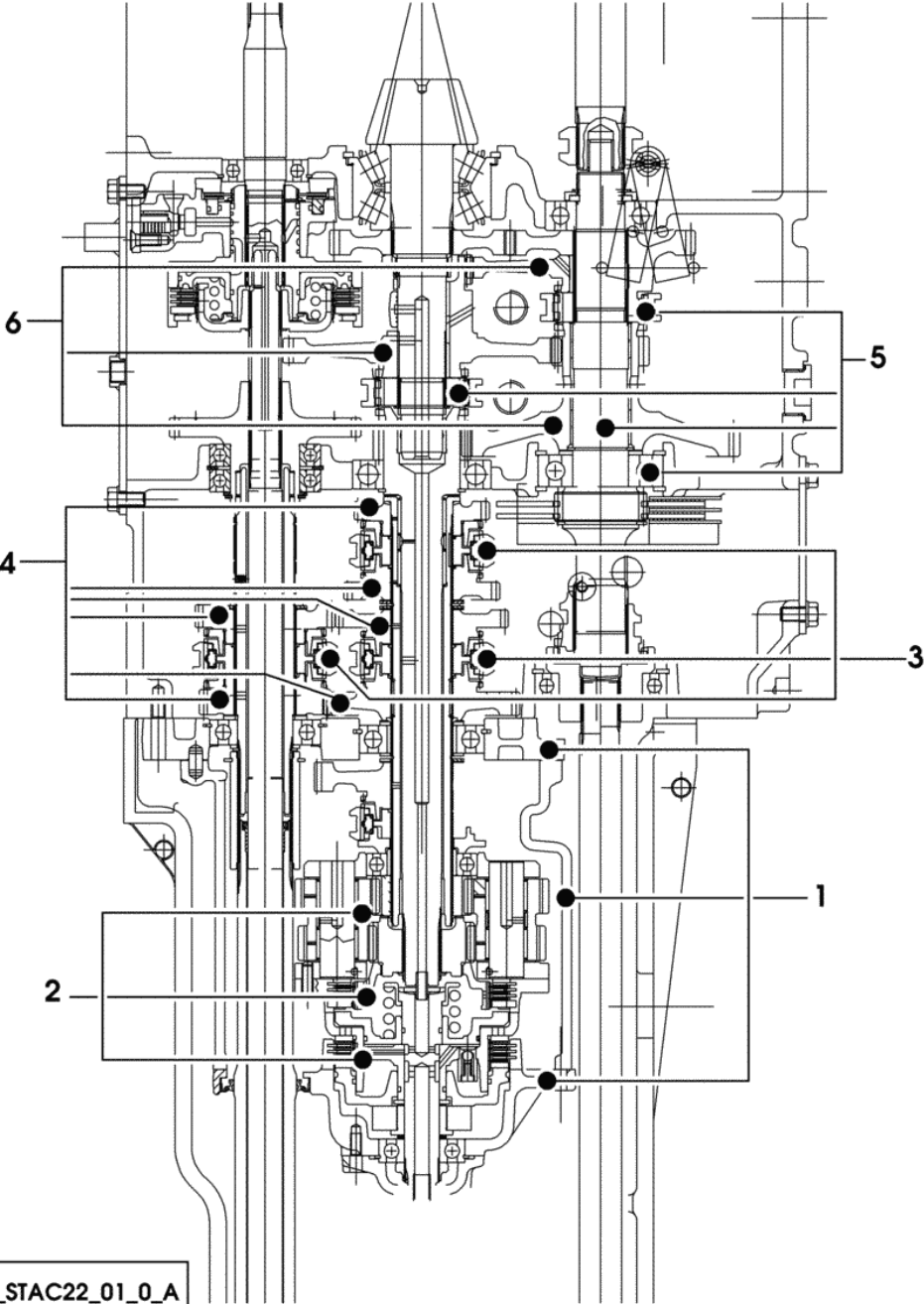


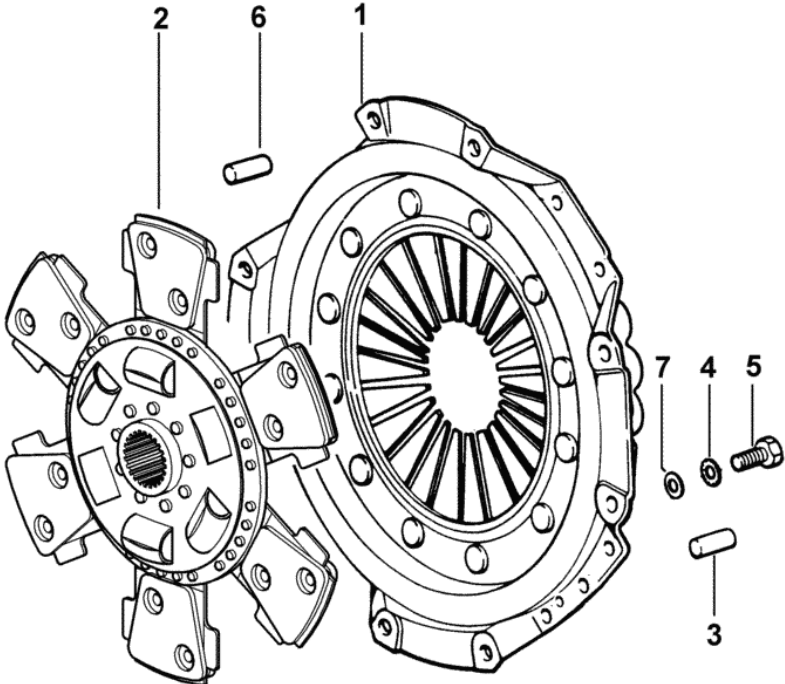
Fig.	Code	QTY	Name
1	0.000.0000.1	-	not serviceable ☞ 103 => 103
2	0.000.0000.1	-	not serviceable ☞ 104 => 104
3	0.000.0000.1	-	not serviceable ☞ 118 => 118
4	0.000.0000.1	-	not serviceable ☞ 105 => 105
5	0.000.0000.1	-	not serviceable ☞ 120 => 120
6	0.000.0000.1	-	not serviceable ☞ 123 => 123

9_STAC22_01_0_A

Section: GEAR
CLUTCH 12"

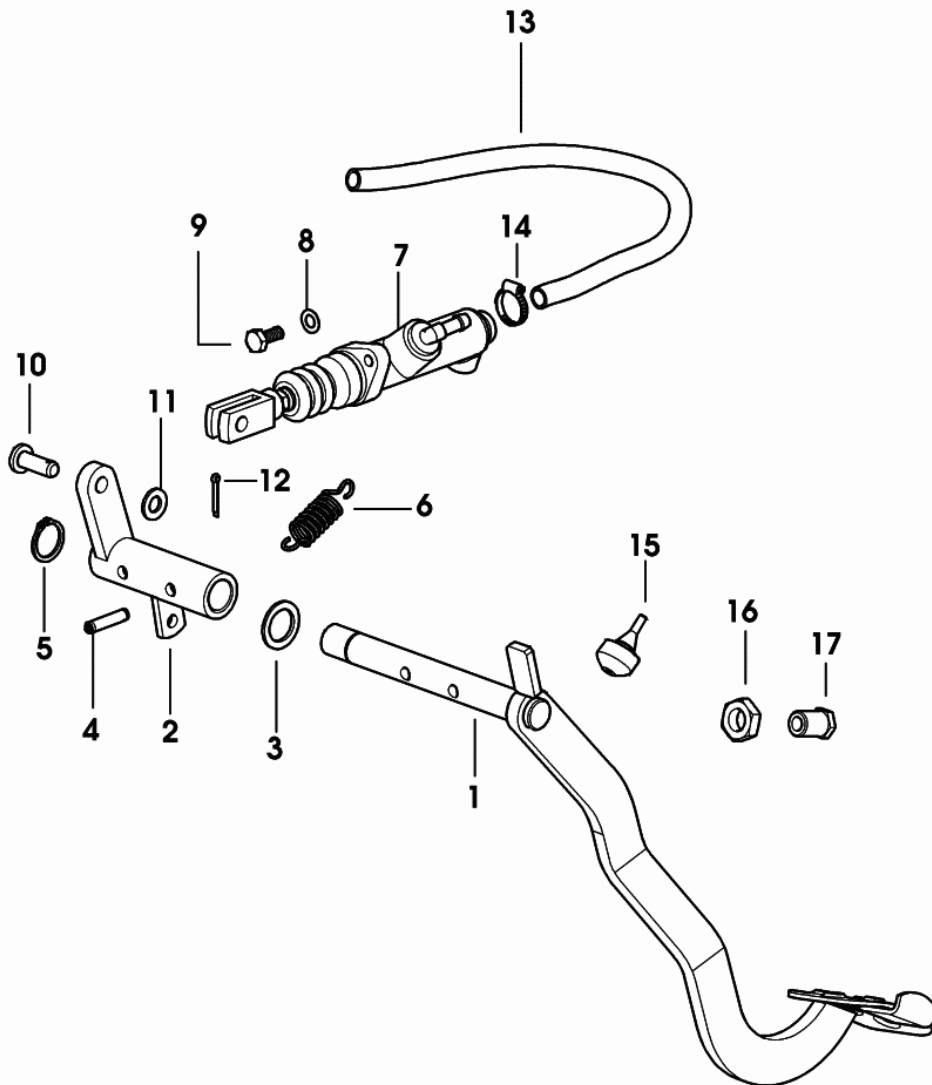
Fig.	Code	QTY	Name
1	0.008.4254.3/10	1	clutch assy 12"
2	0.014.1111.3	1	clutch disc mm 310
3	2.1699.173.0	1	pin 7.9x18
4	2.1470.004.2	8	lock washer 8
5	2.0112.207.2	8	screw m 8 p 1.25x20
6	2.1699.201.0	1	pin 6.36x18
7	2.1310.004.2	8	flat washer 8.4x16

9_40523_00_0_0



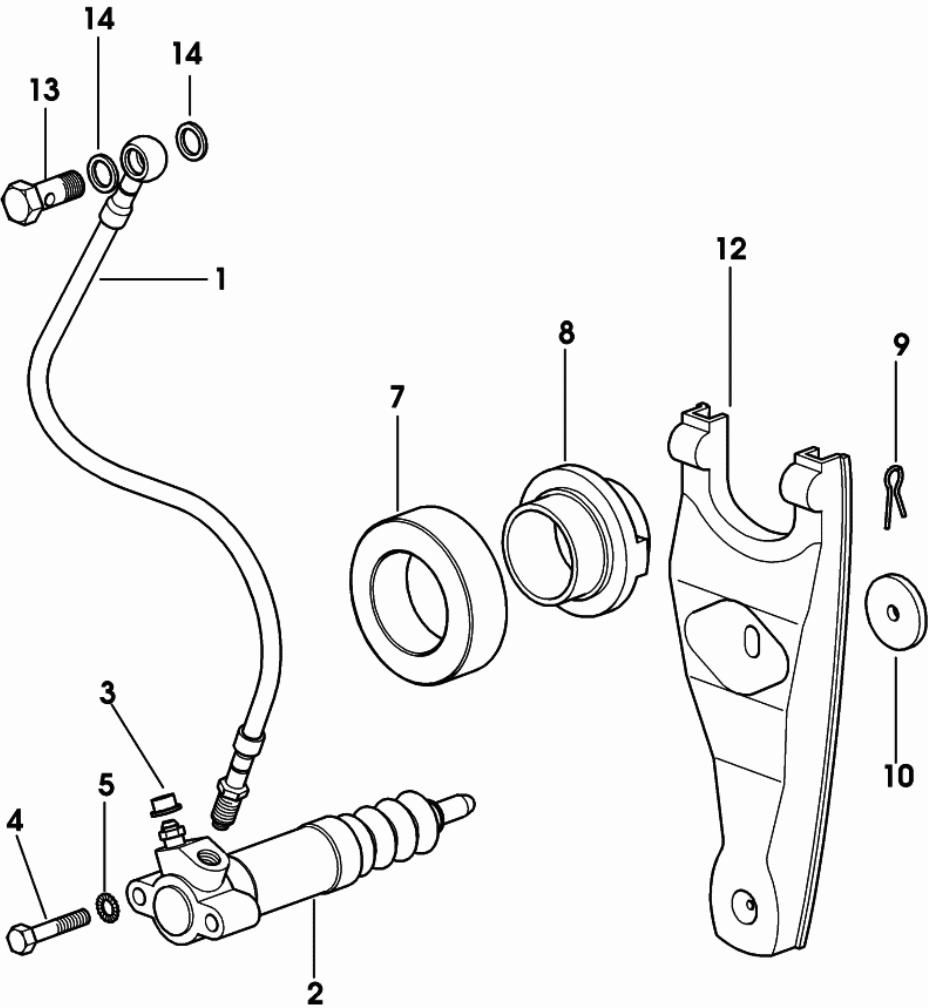
Section: GEAR
CLUTCH CONTROL

Fig.	Code	QTY	Name
1	0.014.1528.3/10	1	pedal
2	0.014.1523.2/10	1	lever
3	2.1599.399.0	1	washer 20.5x31x2
4	2.1632.715.2	2	pin
5	2.1410.006.1	1	circlip 20
6	2.4049.161.2	1	spring 18x41x2
7	0.255.6538.4/50	1	pump ☞ 586 => 586
8	2.1470.004.2	2	lock washer 8
9	2.0112.206.2	2	screw m 8 p.1.25x18
10	2.1671.408.2	1	pin 10x30
11	2.1310.006.2	1	flat washer 10.5x20
12	2.1690.308.2	1	split pin 3.2x20
13	0.012.6343.0	0	tube
14	2.6857.019.0	2	clamp 14
15	0.010.1532.0	1	block
16	2.1011.509.2	1	nut m 16 p.1.5
17	0.012.5596.0/20	1	bushing



Section: GEAR
CLUTCH CONTROL

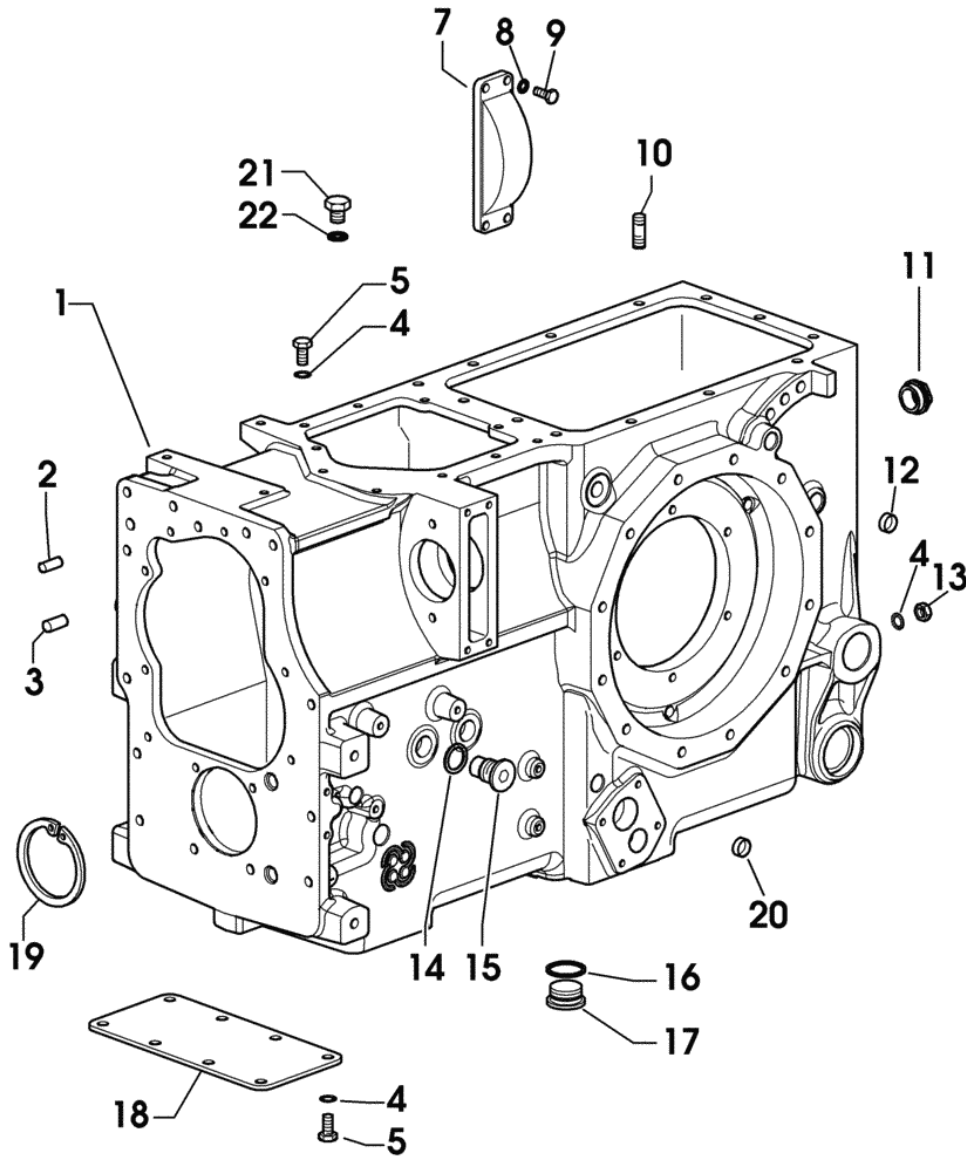
Fig.	Code	QTY	Name
1	0.014.2498.3	1	tube
2	0.255.6537.4/60	1	cylinder ☞ 587 => 587
3	2.3199.039.0	1	plug 6.5x7.25
4	2.0112.215.2	2	screw m 8 p.1.25x40
5	2.1470.004.2	2	lock washer 8
7	2.2999.475.0	1	bearing 55x90x22
8	0.255.6533.0/30	1	support
9	2.1690.206.2	1	split pin 2x16
10	2.1599.496.0/10	1	snoulder 8x40x5
12	0.255.6532.0/10	1	fork
13	2.3339.431.2/10	1	pipe union m 12 p.1.25
14	2.1560.008.0	2	gasket 12.2x18



9_C2365_03_0_0

Section: GEAR
REAR GEARBOX CASE

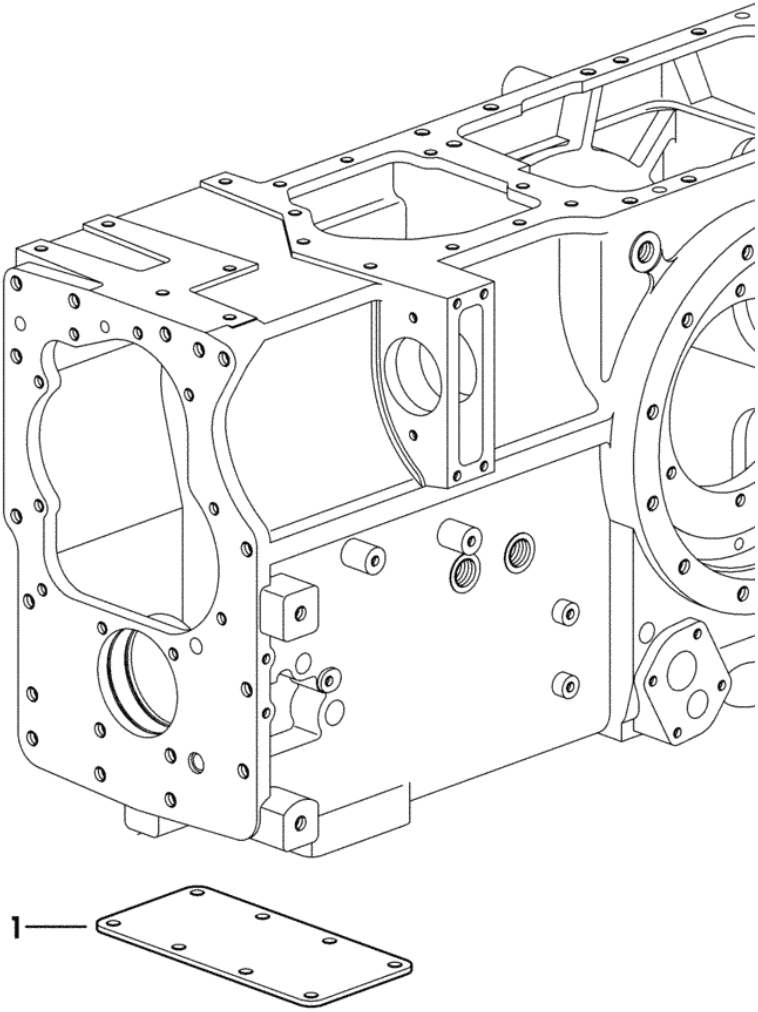
Fig.	Code	QTY	Name
1	0.255.3110.0/90	1	gear box
2	2.1651.811.0	1	cylindrical plug 10x25
3	2.1651.911.0	1	cylindrical plug 12x24
4	2.1470.006.2	28	lock washer 10
5	2.0112.307.2	18	screw m 10 p.1.5x20
7	0.255.3134.0	1	cover
8	2.1481.007.1	4	washer 8
9	2.0112.207.2	4	screw m 8 p 1.25x20
10	2.0432.259.7	3	stud bolt m 12 p.1.75-1.25x35
11	2.3199.250.0	1	level indicator
12	2.3171.006.4	1	plug 16
13	2.1011.421.2	10	nut M10x1.25
14	2.1560.020.0	2	gasket 24.3x32
15	2.3199.083.2	2	plug m 24 p.1.5
16	2.1560.026.0	1	gasket 35.3x41
17	2.3199.002.2	1	plug 1 gas
18	0.255.3128.0/10	1	cover
19	2.1411.038.1	1	circlip 95
20	2.3110.403.1	1	plug m 14 p.1.5
21	2.3110.405.1	1	plug m 18 p.1.5x15
22	2.1560.014.0	1	gasket 18.2x24x1.5



9_50831_00_0_0

Section: GEAR
COVER

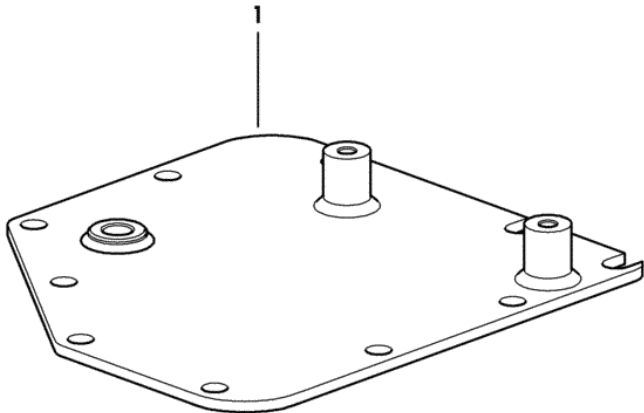
Fig.	Code	QTY	Name
1	0.255.3128.0/10	1	cover



9_62031_04_0_0

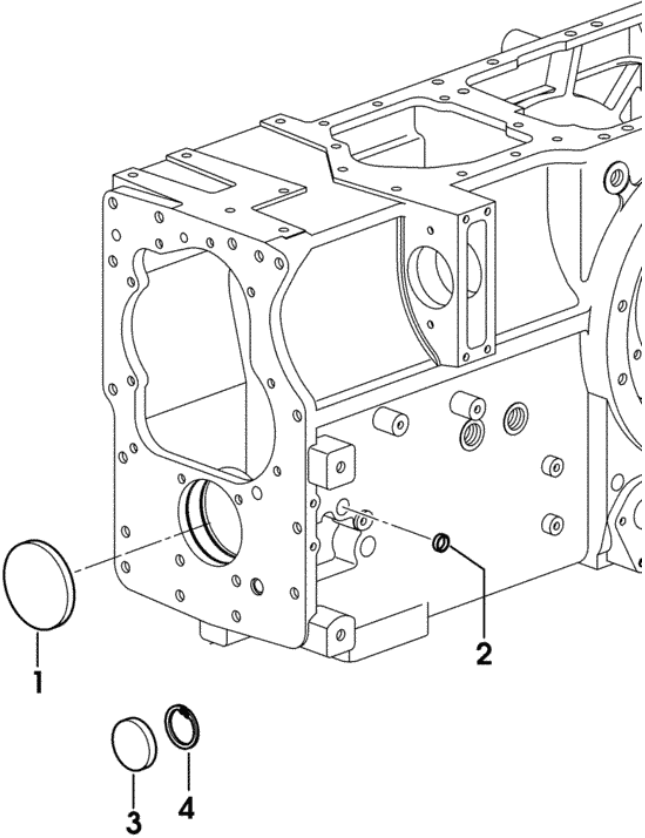
Section: GEAR
COVER

Fig.	Code	QTY	Name
1	0.255.3121.2/10	1	cover



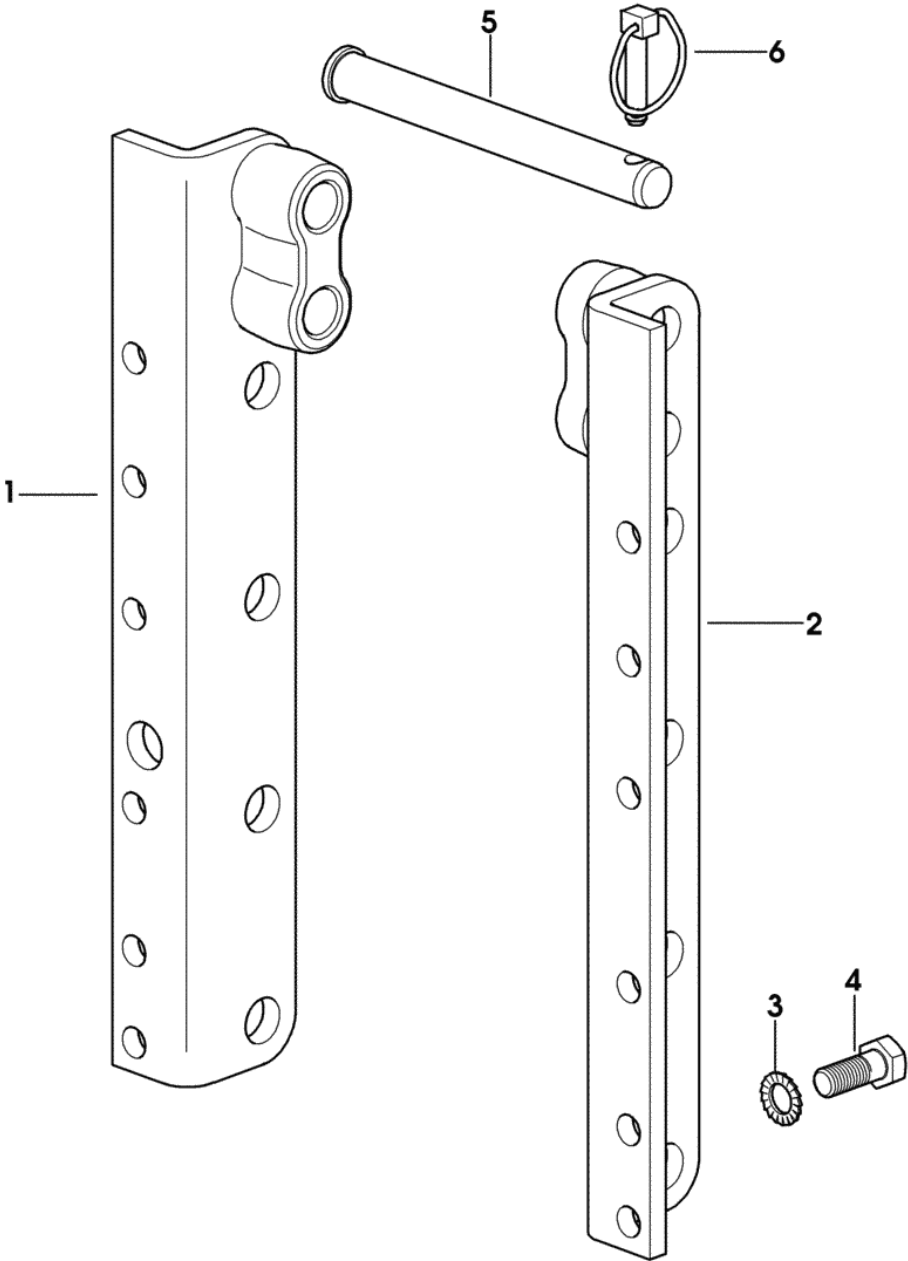
Section: GEAR
2WD - COMPLETION

Fig.	Code	QTY	Name
1	2.3199.121.0	1	plug 95x10
2	2.3171.007.4	3	plug 18
3	2.3199.095.0	1	plug 55x10
4	2.1411.022.1	1	circlip 55



Section: GEAR
REAR GEARBOX BRACKETS

Fig.	Code	QTY	Name
1	0.96132.10.3/20	1	support
2	0.96132.11.3/20	1	support
3	2.1470.009.2	12	lock washer 16
4	2.0112.615.2	12	screw m 16 p.2x40
5	0.97320.30.0	2	pin
6	0.010.9322.4	4	pin



9_50831_50_0_0

Section: GEAR
GEAR CHANGE BOX 5 SPEED

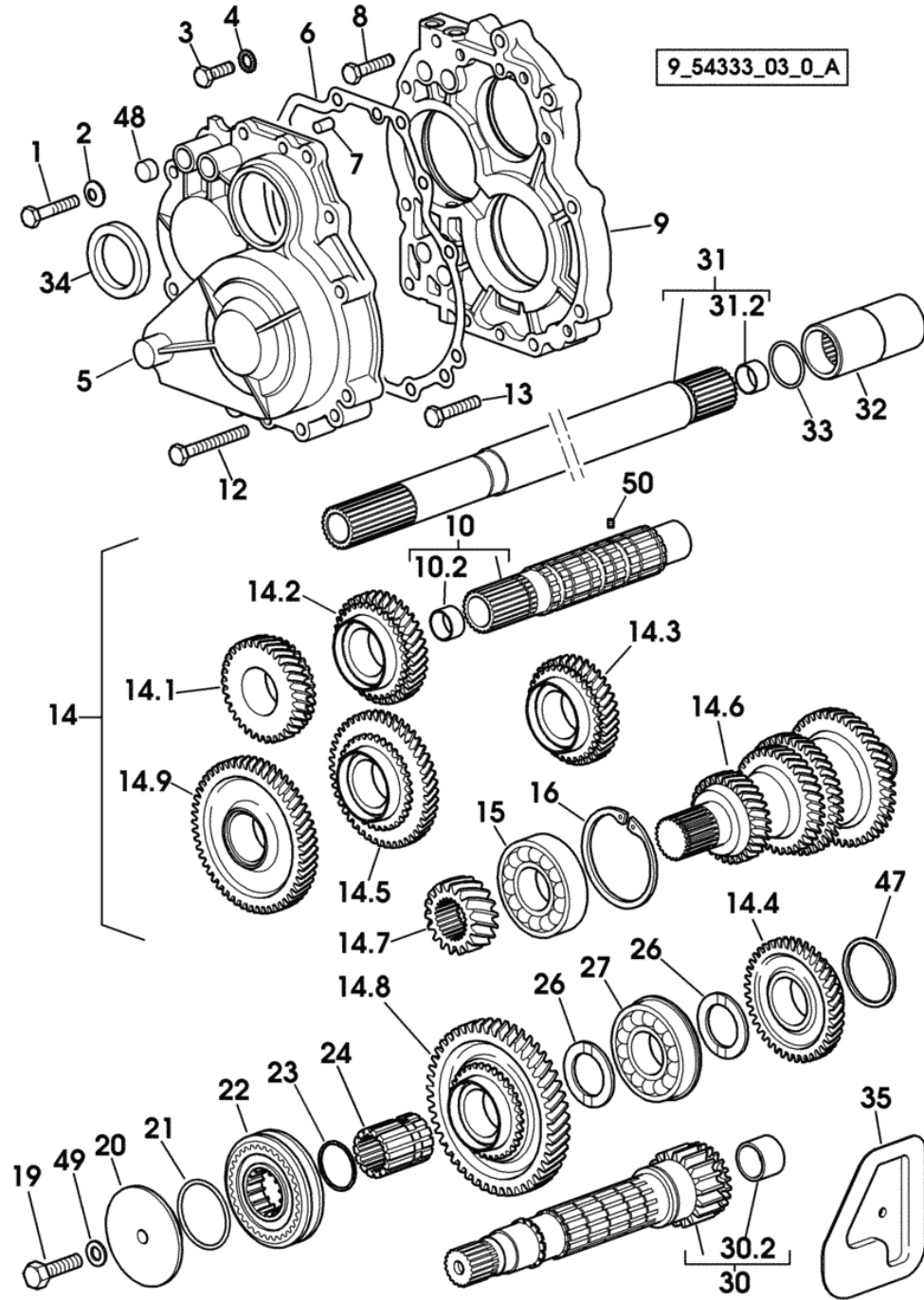
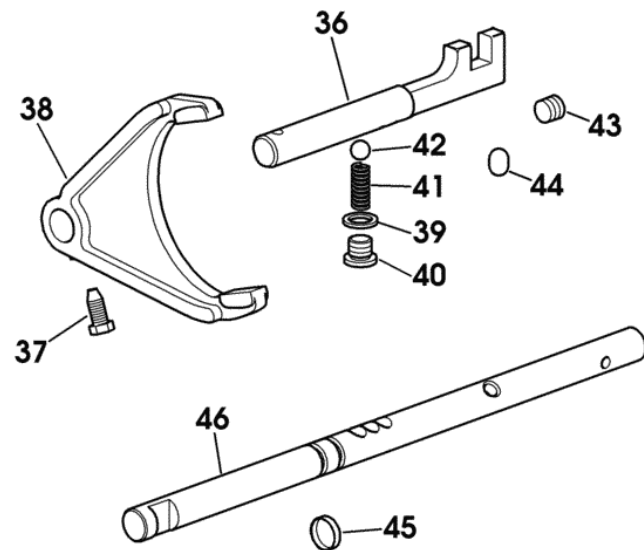


Fig.	Code	QTY	Name
1	2.0112.321.2	4	screw m 10 p.1.5x60
2	2.1481.058.1	11	washer 10
3	2.0112.311.2	3	screw m 10 p.1.5x30
4	2.1470.006.2	3	lock washer 10
5	0.255.3357.0/30	1	cover
6	0.255.3356.0/10	1	gasket
7	2.1651.807.0	2	pin 10x16
8	2.0112.317.2	2	screw m 10 p.1.5x45
9	0.007.3461.0/40	1	flange
10	0.012.9702.3	1	shaft
10.2	2.1555.214.0	1	bushing 25x28x15
12	2.0112.325.2	3	screw m 10 p.1.5x80
13	2.0112.319.2	1	screw m 10 p.1.5x50
14	0.000.0000.1	0	not serviceable
14.1	0.255.3326.3/10	1	gear z = 34
14.2	0.255.3327.3/10	1	gear z = 37
14.3	0.255.3332.3	1	gear z = 34
14.4	0.255.3375.0	1	gear z=40
14.5	0.255.3374.0	1	gear z=46
14.6	0.255.3365.0	1	output shaft
14.7	0.255.3366.0	1	gear z = 18
14.8	0.255.3377.0	1	gear z = 48
14.9	0.255.3373.0/10	1	gear z = 54
15	2.2060.012.0	1	ball bearing 40x90x23
16	2.1411.036.1	1	circlip 90
19	2.0132.408.7	1	screw
20	0.255.3369.0/20	1	shoulder
21	2.1530.141.0	1	'o' ring 57.15x3.53
22	0.255.3360.3	1	lock synchronizer
23	2.1499.153.7	2	circlip 41x1.5
24	0.255.3368.0/10	1	bushing
26	0.255.3450.0	3	snoulder 40x60x3.5
27	2.2063.012.0	1	ball bearing 40x90x23
30	0.255.3367.3/40	1	countershaft
30.2	2.1559.177.0	1	bushing 30x35x25
31	0.255.2510.3	1	shaft
31.2	2.1555.214.0	1	bushing 25x28x15
32	0.255.2515.0	1	sleeve
33	2.1530.091.0	1	'o' ring 34.60x2.62
34	2.1529.079.0	1	'o' ring 50x68x10
35	0.007.3562.3	1	cover
47	2.1599.422.0	1	snoulder 44
48	2.3171.007.4	1	plug 18
49	2.1475.004.2	1	washer 13x24

Section: GEAR

GEAR CHANGE BOX 5 SPEED

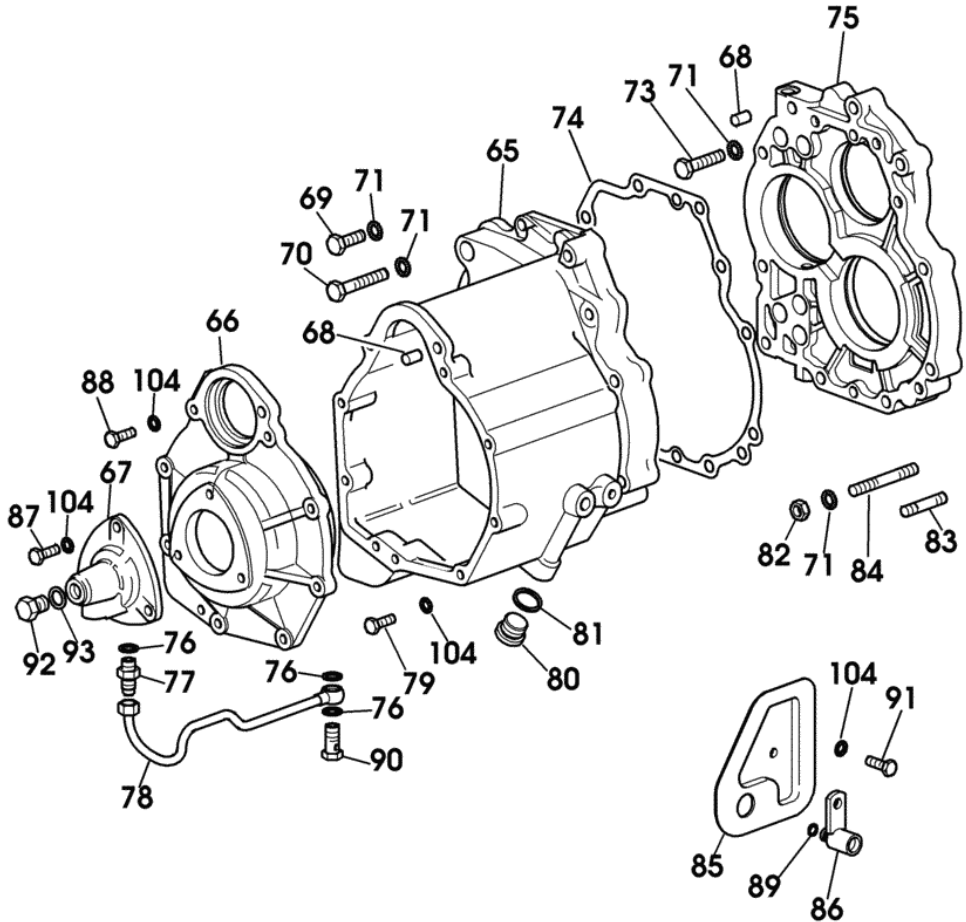
Fig.	Code	QTY	Name
36	0.255.6478.0/30	1	rod
37	2.0399.019.1	1	screw m 8 p.1x16
38	0.010.0209.0/20	1	fork
39	2.1560.008.0	1	gasket 12.2x18
40	2.3199.164.2/20	1	plug
41	2.4019.622.1	1	spring 6.3x9.5x1.6x22.4
42	2.2999.156.0	1	ball 10
43	2.3131.001.4	1	plug m 12 p.1.5
44	2.1699.159.0	1	pin 10x14.1
45	2.3171.007.4	1	plug 18
46	0.255.6424.0/20	1	rod



Section: GEAR
GEAR CHANGE BOX 5 SPEED SYNCRO POWER

9_54333_04_0_C

Fig.	Code	QTY	Name
65	0.007.3416.0/40	1	box
66	0.007.3415.0/20	1	cover
67	0.007.3417.0/10	1	manifold
68	2.1651.807.0	4	pin 10x16
69	2.0112.211.2	3	screw m 8 p.1.25x30
70	2.0112.321.2	3	screw m 10 p.1.5x60
71	2.1470.006.2	14	lock washer 10
73	2.0112.317.2	3	screw m 10 p.1.5x45
74	0.255.3356.0/10	1	gasket
75	0.007.3461.0/40	1	flange
76	2.1560.008.0	3	gasket 12.2x18
77	2.3339.453.2	1	pipe fitting m 12 p.1.25-1/2"
78	0.007.3544.3	1	tube
79	2.0112.211.2	6	screw m 8 p.1.25x30
80	2.3199.001.2	1	plug 1/2 gas
81	2.1560.017.0	1	gasket 22.2x27
82	2.1011.421.2	5	nut M10x1.25
83	2.0432.165.7	1	stud bolt m 10 p.1.5-1.25x50
84	2.0432.171.7	4	stud bolt m 10 p.1.5-1.25x80
85	0.007.3563.3	1	cover
86	0.007.3566.2	1	pipe union m 14 p.1.5
87	2.0112.209.2	3	screw m 8 p.1.25x25
88	2.0112.213.2	2	screw m 8 p.1.25x35
89	2.1530.014.0	1	'o' ring 7.66x1.78
90	2.3332.003.1	1	pipe union m 12 p.1.25
91	2.0112.205.2	1	screw m 8 p.1.25x16
92	2.3110.403.1	1	plug m 14 p.1.5
93	2.1560.010.0	1	gasket 14.2x20
104	2.1470.004.2	11	lock washer 8



GEAR CHANGE BOX 5 SPEED SYNCRO POWER

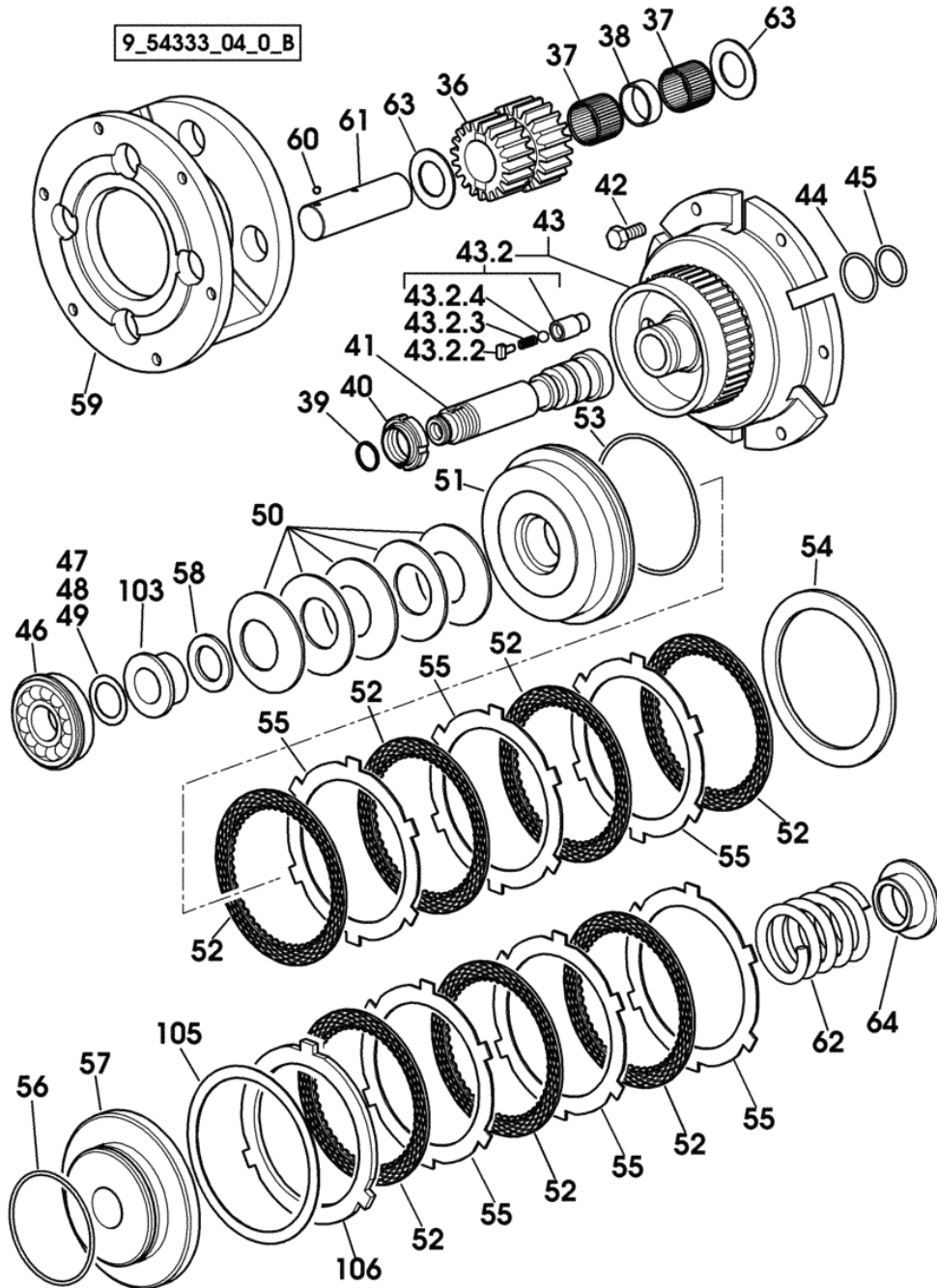


Fig.	Code	QTY	Name
36	0.007.3441.3	1	planet gear
37	2.2999.230.0	8	roller cage
38	2.1579.985.2	4	spacer
39	2.1499.089.0	1	ring
40	2.1214.006.7	1	ring nut 25 mc
41	0.007.3446.0/40	1	pin
42	2.0132.006.2	6	screw m 8x20
43	0.007.3418.4/10	1	support
43.2	0.007.3557.3	1	valve
43.2.2	0.007.3558.0	1	ferrule
43.2.3	2.4019.408.1	1	spring
43.2.4	2.2810.003.0	1	ball mm 7.144
44	2.1539.095.0	1	'o' ring
45	2.1539.096.0	1	ring
46	2.2062.007.0	1	ball bearing 25x62x17
47	2.1580.138.0	2	snoulder 25.5x35x0.15
48	2.1580.139.0	3	snoulder 25.5x35x0.2
49	2.1580.140.0	5	snoulder 25.5x35x0.5
50	2.1499.076.0/10	5	spring
51	0.007.3419.0/20	1	piston
52	0.255.3970.2	7	disc
53	2.1539.098.0	1	ring 94.92x2.62
54	2.1599.569.0	2	shim 99.5x125x4
55	0.013.9453.0	6	disc
56	2.1539.097.0	1	ring
57	0.007.3420.0/10	1	piston
58	2.1599.570.0	1	shim 25.2x40x3
59	0.007.3421.0	1	spider
60	2.2819.003.0	4	ball
61	0.007.3422.0/10	4	pin
62	2.4019.425.1	1	spring
63	2.2685.006.0	8	shim 25x42x1
64	0.007.3445.0	1	cup
103	2.1559.215.0	1	bushing 25x35.5x18
105	2.1599.499.0	1	snoulder 110x126.5x1.2
106	0.255.3969.0/10	1	disc

Section: GEAR
GEAR CHANGE BOX 5 SPEED SYNCRO POWER

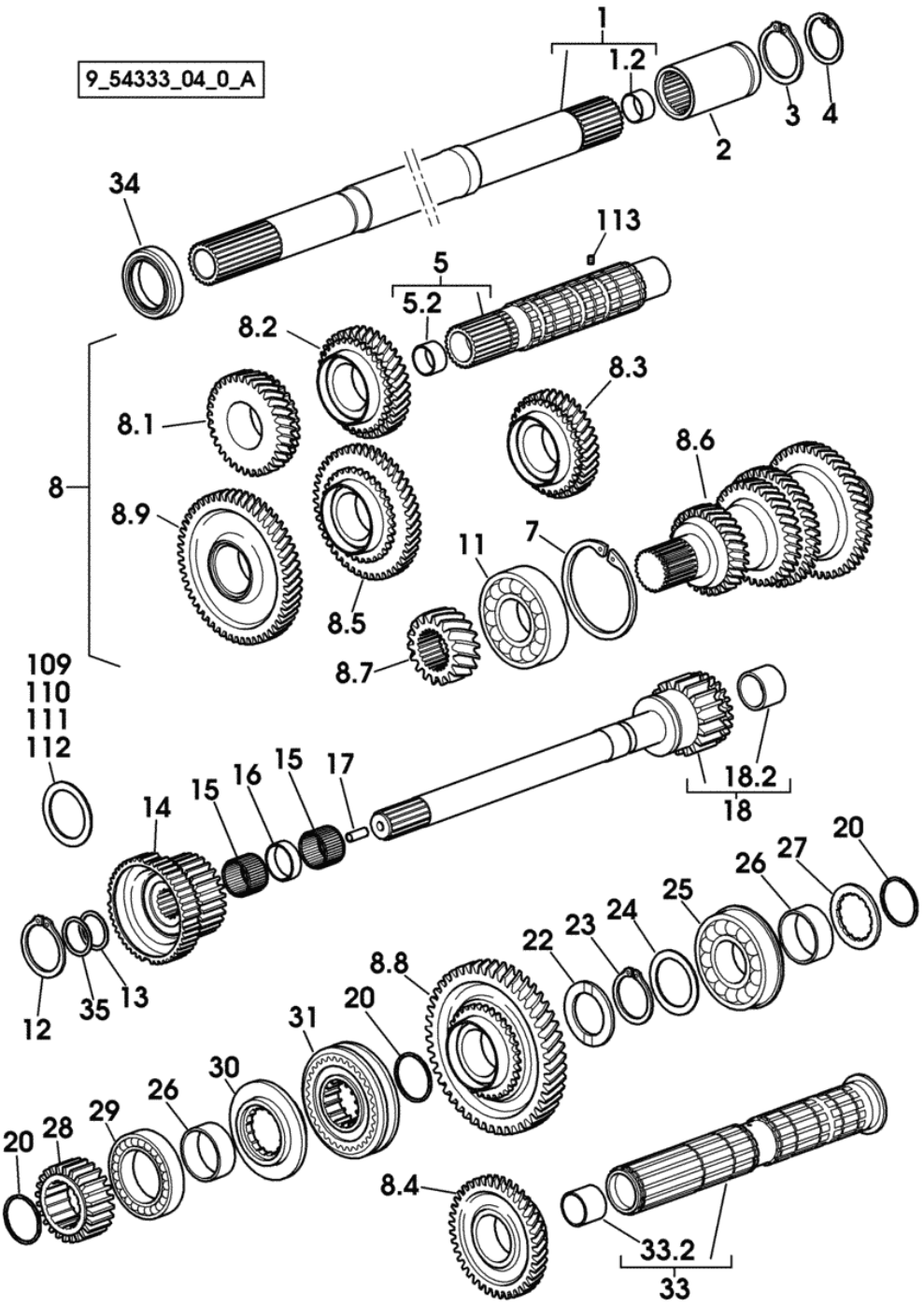


Fig.	Code	QTY	Name
1	0.007.3433.3	1	shaft
1.2	2.1555.214.0	1	bushing 25x28x15
2	0.007.3432.0	1	sleeve
3	2.1410.020.1	1	circlip 50
4	2.1419.044.0	1	circlip 38.8x1.5
5	0.012.9702.3	1	shaft
5.2	2.1555.214.0	1	bushing 25x28x15
7	2.1411.036.1	1	circlip 90
8	0.000.0000.1	0	not serviceable
8.1	0.255.3326.3/10	1	gear z = 34
8.2	0.255.3327.3/10	1	gear z = 37
8.3	0.255.3332.3	1	gear z = 34
8.4	0.255.3375.0	1	gear z=40
8.5	0.255.3374.0	1	gear z=46
8.6	0.255.3365.0	1	output shaft
8.7	0.255.3366.0	1	gear z = 18
8.8	0.255.3377.0	1	gear z = 48
8.9	0.255.3373.0/10	1	gear z = 54
11	2.2060.012.0	1	ball bearing 40x90x23
12	2.1410.011.1	1	circlip 28
13	2.1580.117.0	1	shim mm 0.2
14	0.007.3440.3/20	1	crown wheel
15	2.2999.308.0	2	roller cage 30x35x27
16	2.1579.948.0	1	spacer 31.5x34.9x10
17	0.007.3454.0	1	tube
18	0.007.3435.3	1	shaft
18.2	2.1559.177.0	1	bushing 30x35x25
20	2.1499.153.7	3	circlip 41x1.5
22	0.255.3372.0	1	thrust plate
23	2.1419.034.1	1	circlip 44
24	2.1599.568.0/10	1	shim 45.5x60x2
25	2.2999.203.0	1	ball bearing 50x90x20
26	2.1559.333.0	2	bushing 44.7x50x19
27	2.1599.571.0	1	thrust plate 42x60x3.5
28	0.007.3439.0/10	1	crown wheel
29	2.2030.011.0	1	ball bearing 50x80x16
30	0.007.3442.0	1	snoulder
31	0.255.3360.3	1	lock synchronizer
33	0.007.3434.3/20	1	countershaft
33.2	2.1559.365.0	1	bushing
34	0.008.4623.0	1	'o' ring
35	2.1580.113.0	2	shim mm 0.5
109	2.1599.737.0	0	snoulder 45.5x60x2.15
110	2.1599.738.0	0	snoulder 45.5x60x2.3

Section: GEAR

GEAR CHANGE BOX 5 SPEED SYNCRO POWER

9_54333_04_0_A

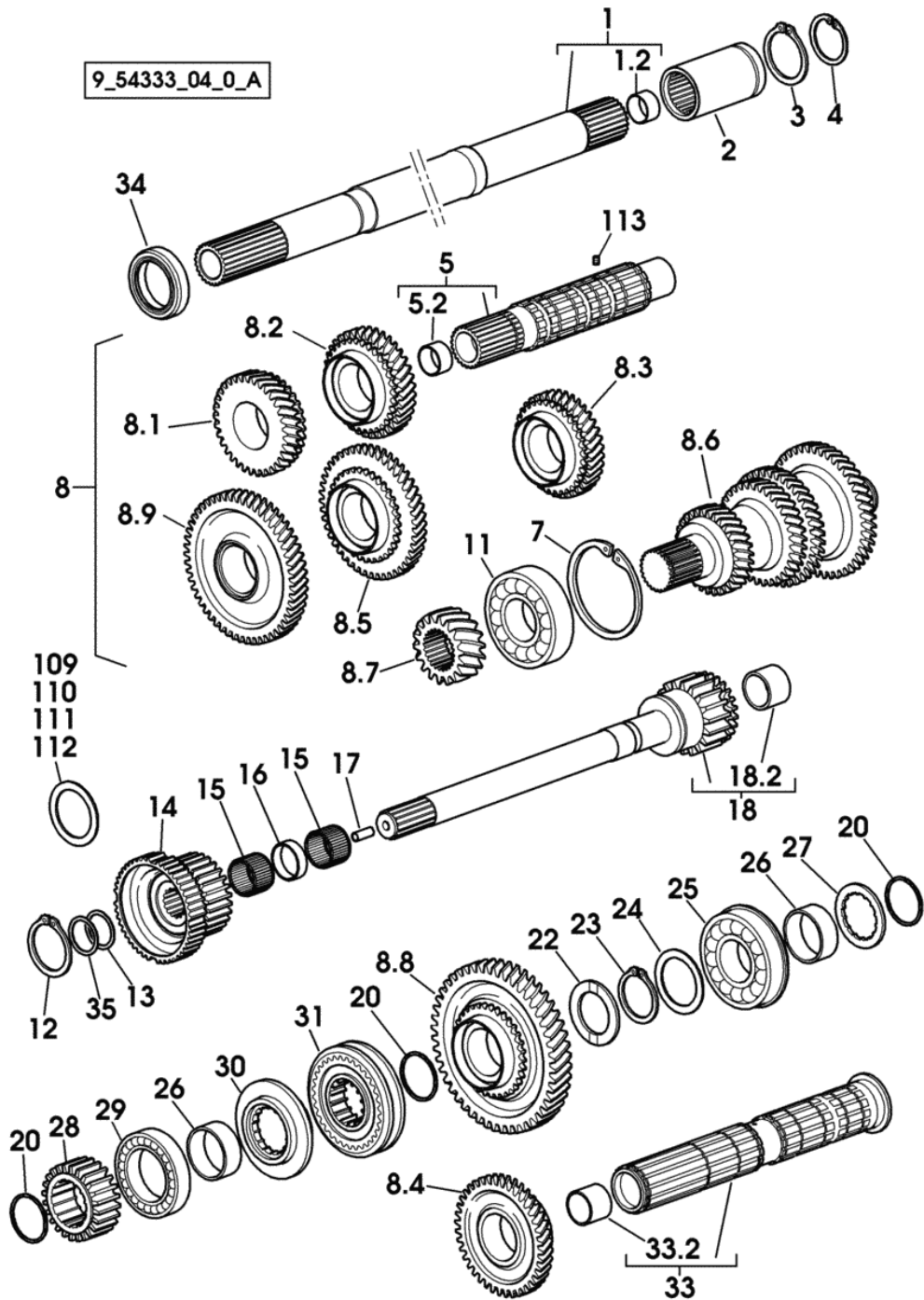
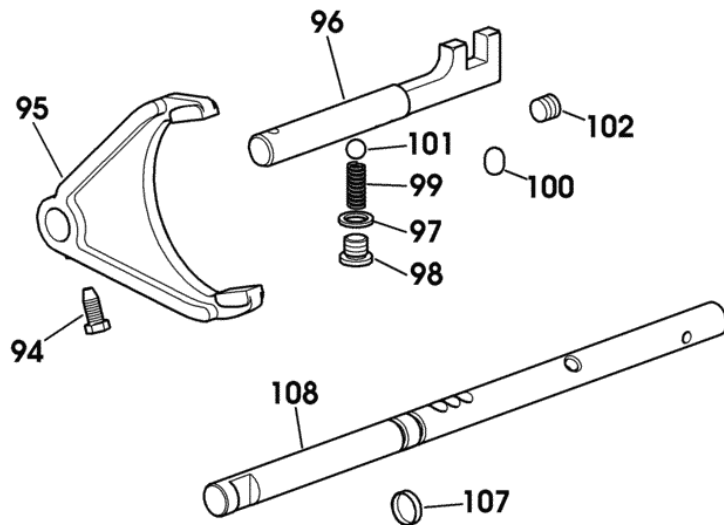


Fig.	Code	QTY	Name
111	2.1599.739.0	0	snoulder 45.5x60x2.45
112	2.1599.740.0	0	snoulder 45.5x60x2.6
113	2.0599.089.7	1	screw m 5x5

Section: GEAR

GEAR CHANGE BOX 5 SPEED SYNCRO POWER

Fig.	Code	QTY	Name
94	2.0399.019.1	1	screw m 8 p.1x16
95	0.010.0209.0/20	1	fork
96	0.255.6478.0/30	1	rod
97	2.1560.008.0	1	gasket 12.2x18
98	2.3199.164.2/20	1	plug
99	2.4019.622.1	1	spring 6.3x9.5x1.6x22.4
100	2.1699.159.0	1	pin 10x14.1
101	2.2999.156.0	1	ball 10
102	2.3131.001.4	1	plug m 12 p.1.5
107	2.3171.007.4	1	plug 18
108	0.255.6424.0/20	1	rod



9_54333_04_0_D

Section: GEAR

MAIN GEARBOX AND REVERSE SHUTTLE GEARS

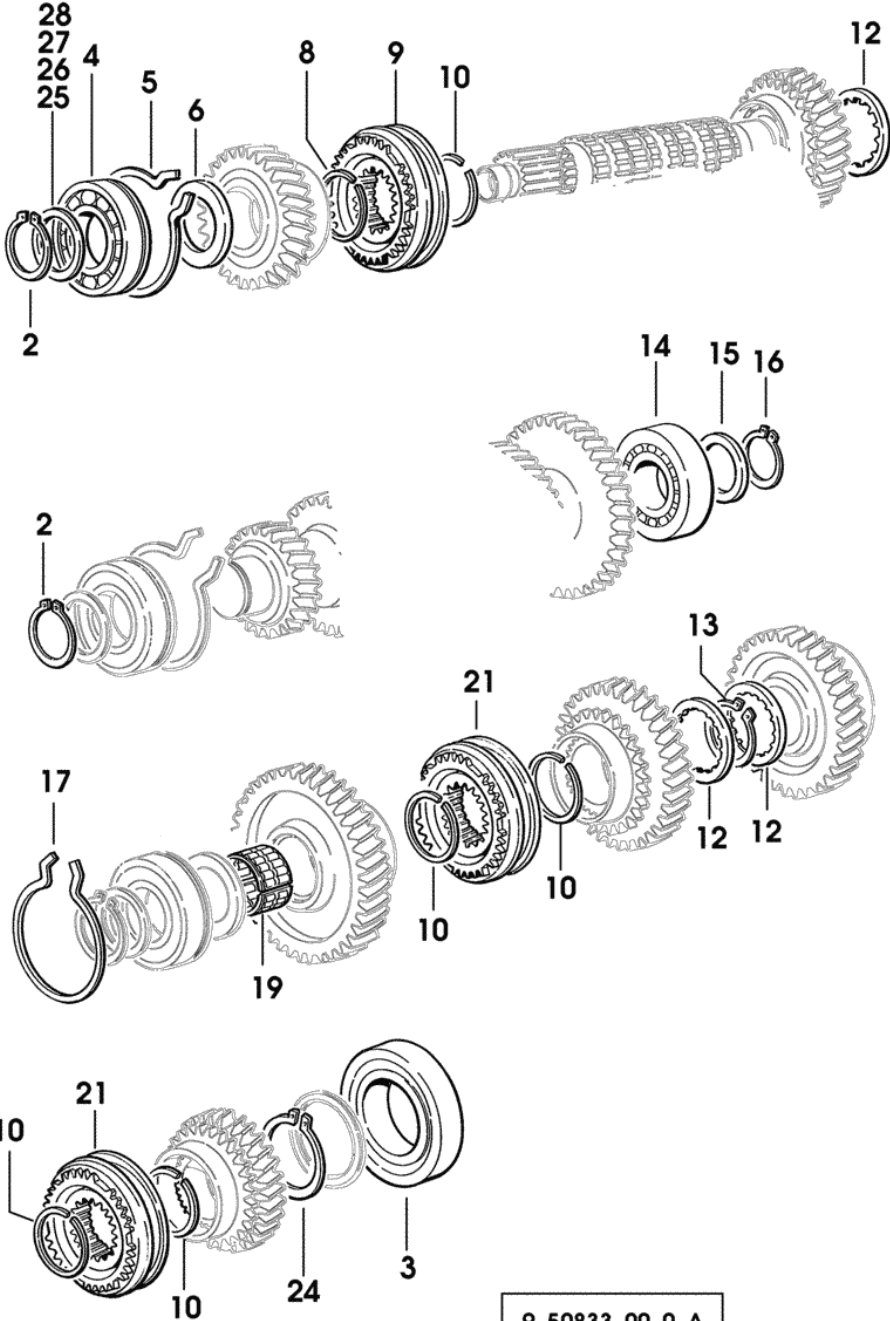


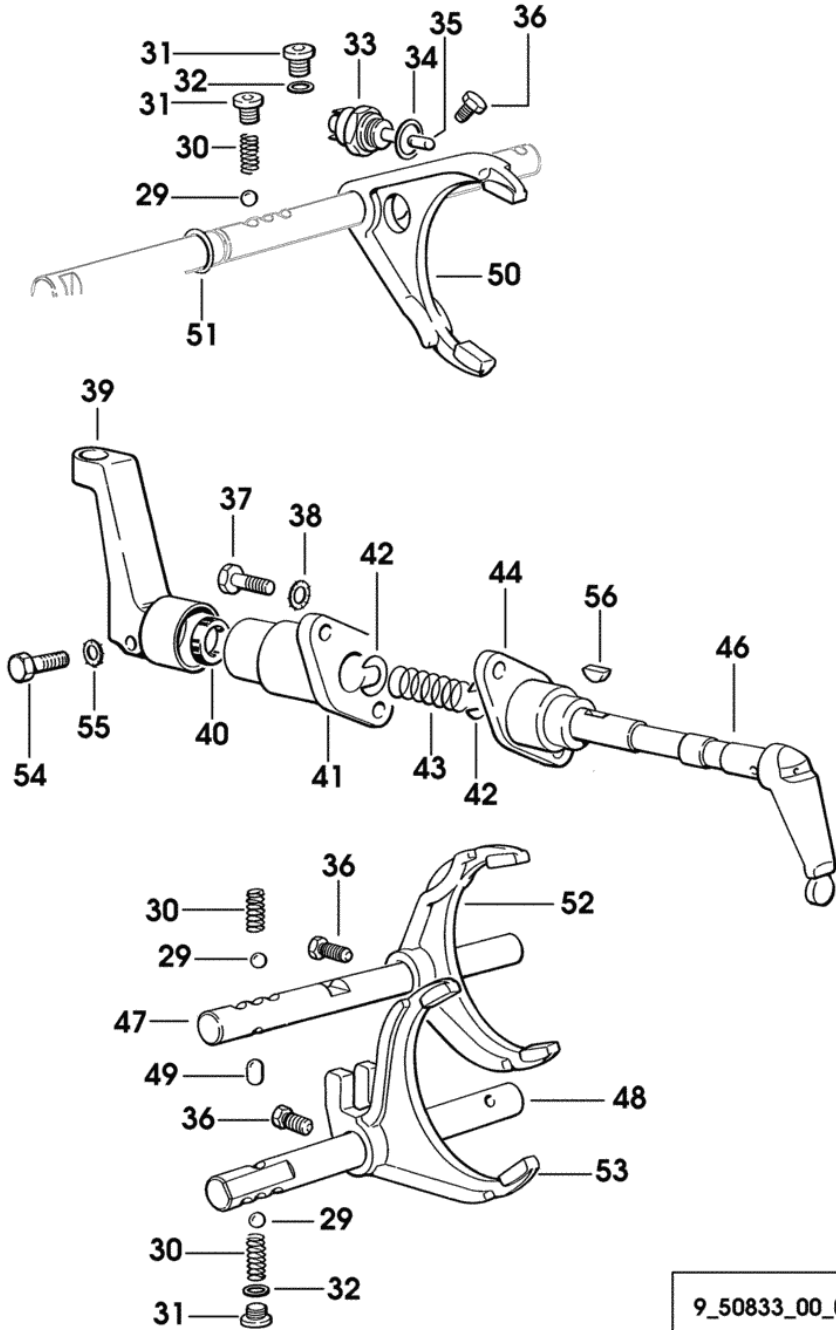
Fig.	Code	QTY	Name
2	2.1410.016.1	2	circlip 40x1.75
3	2.2999.142.0	1	bearing 55x100x21
4	2.2042.012.0	1	ball bearing 40x80x18
5	2.1499.052.1/10	1	circlip 80
6	0.255.3450.0	1	snoulder 40x60x3.5
8	2.1499.152.7	1	circlip 41x1.8
9	0.007.7646.4/10	1	lock synchronizer ☞ 589 => 589
10	2.1499.153.7	4	circlip 41x1.5
12	0.255.3372.0	3	thrust plate
13	2.1419.034.1	2	circlip 44
14	2.2060.011.0	1	ball bearing 35x80x21
15	2.1599.874.0	1	washer 35x45x3
16	2.1410.014.1	1	circlip 35
17	2.1499.037.1	1	circlip 90
19	2.2999.217.0	1	roller cage 40x45x27
21	0.255.3340.3	2	lock synchronizer
24	2.1410.022.1	1	circlip 55
25	2.1599.414.0	0	snoulder 40x50x3
26	2.1599.423.0	0	snoulder 40x50x2.9
27	2.1599.424.0	1	snoulder 40x50x2.8
28	2.1599.425.0	0	snoulder 40x50x2.7

9_50833_00_0_A

Section: GEAR

INTERNAL GEARBOX AND REVERSE GEAR CONTROLS

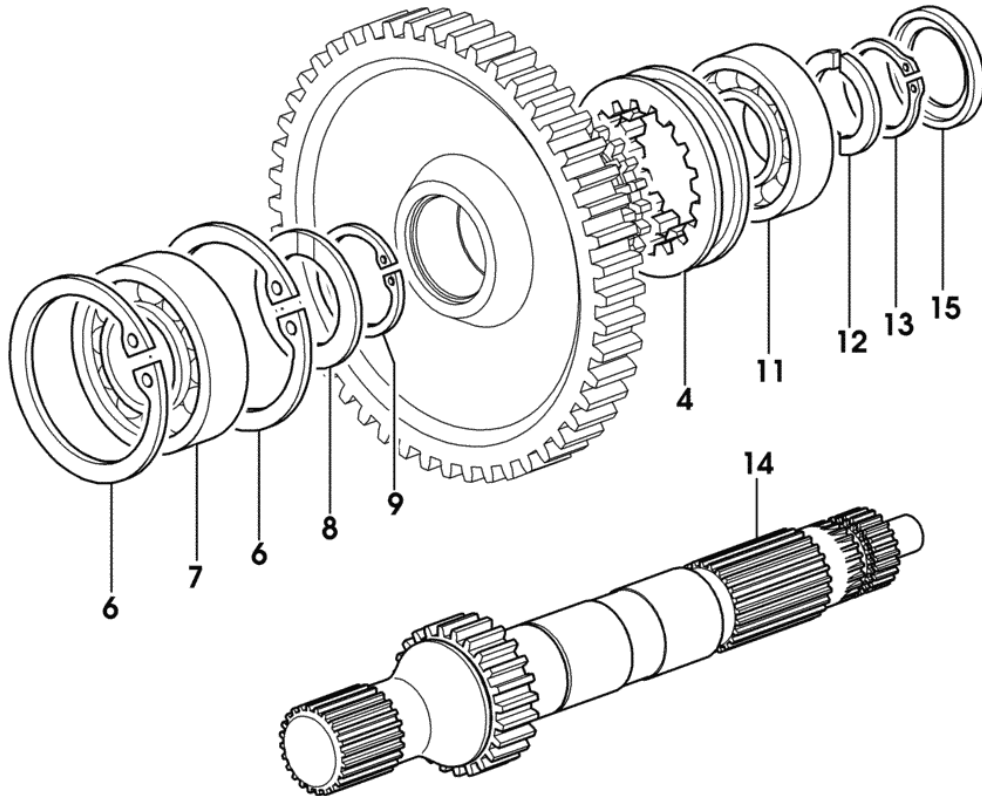
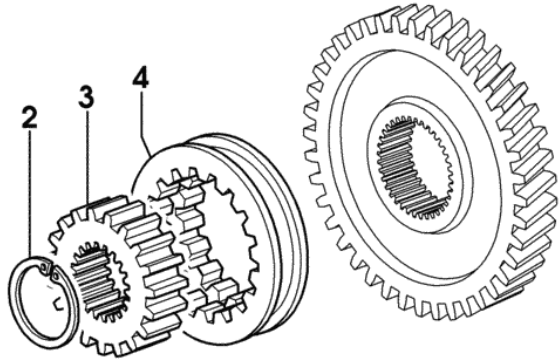
Fig.	Code	QTY	Name
29	2.2999.156.0	3	ball 10
30	2.4019.622.1	3	spring 6.3x9.5x1.6x22.4
31	2.3199.164.2/20	3	plug
32	2.1560.008.0	3	gasket 12.2x18
33	2.7659.014.0	1	switch
34	2.1560.012.0	1	gasket 16.2x22
35	2.1699.160.0	1	pin 8x15
36	2.0399.019.1	3	screw m 8 p.1x16
37	2.0112.211.2	2	screw m 8 p.1.25x30
38	2.1470.004.2	2	lock washer 8
39	0.008.1260.3	1	lever
40	2.1519.078.0	1	'o' ring 16x24x6
41	0.007.2649.0/10	1	support
42	0.255.3353.0	2	stop
43	2.4019.252.1/10	1	spring 20.8x56x1.8
44	0.007.2650.0	1	support
46	0.007.2641.0/10	1	lever
47	0.255.6421.0/20	1	rod
48	0.255.6477.0/20	1	rod
49	2.1699.159.0	1	pin 10x14.1
50	0.010.1374.0/10	1	fork
51	2.1530.033.0	2	'o' ring 13.10x2.62
52	0.010.0205.0/20	1	fork
53	0.010.0191.0/20	1	fork
54	2.0112.211.2	1	screw m 8 p.1.25x30
55	2.1470.004.2	1	lock washer 8
56	2.1720.008.0	1	key 5x6.5



9_50833_00_0_B

Section: GEAR
2-RANGE BOX

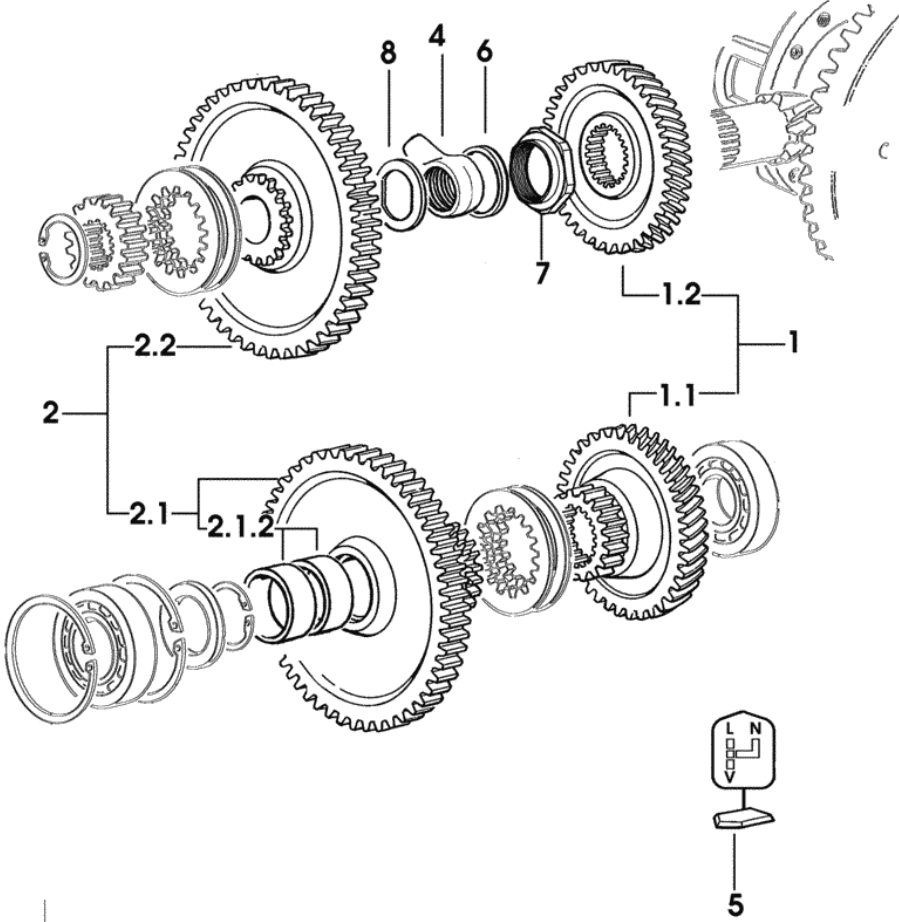
Fig.	Code	QTY	Name
2	2.1419.067.0	1	circlip 35x1.5
3	0.255.3439.0	1	hub z=19
4	0.255.3438.0/20	2	sleeve
6	2.1411.036.1	2	circlip 90
7	2.2060.012.0	1	ball bearing 40x90x23
8	0.255.3450.0	1	snoulder 40x60x3.5
9	2.1499.034.1	1	circlip 40x1.75
11	2.2060.011.0	1	ball bearing 35x80x21
12	0.008.4480.0/20	1	shoulder
13	2.1410.014.1	1	circlip 35
14	0.255.3410.0/30	1	reduction shaft
15	0.008.4481.0	1	ring



9_50834_00_0_A

Section: GEAR
3-RANGE BOX

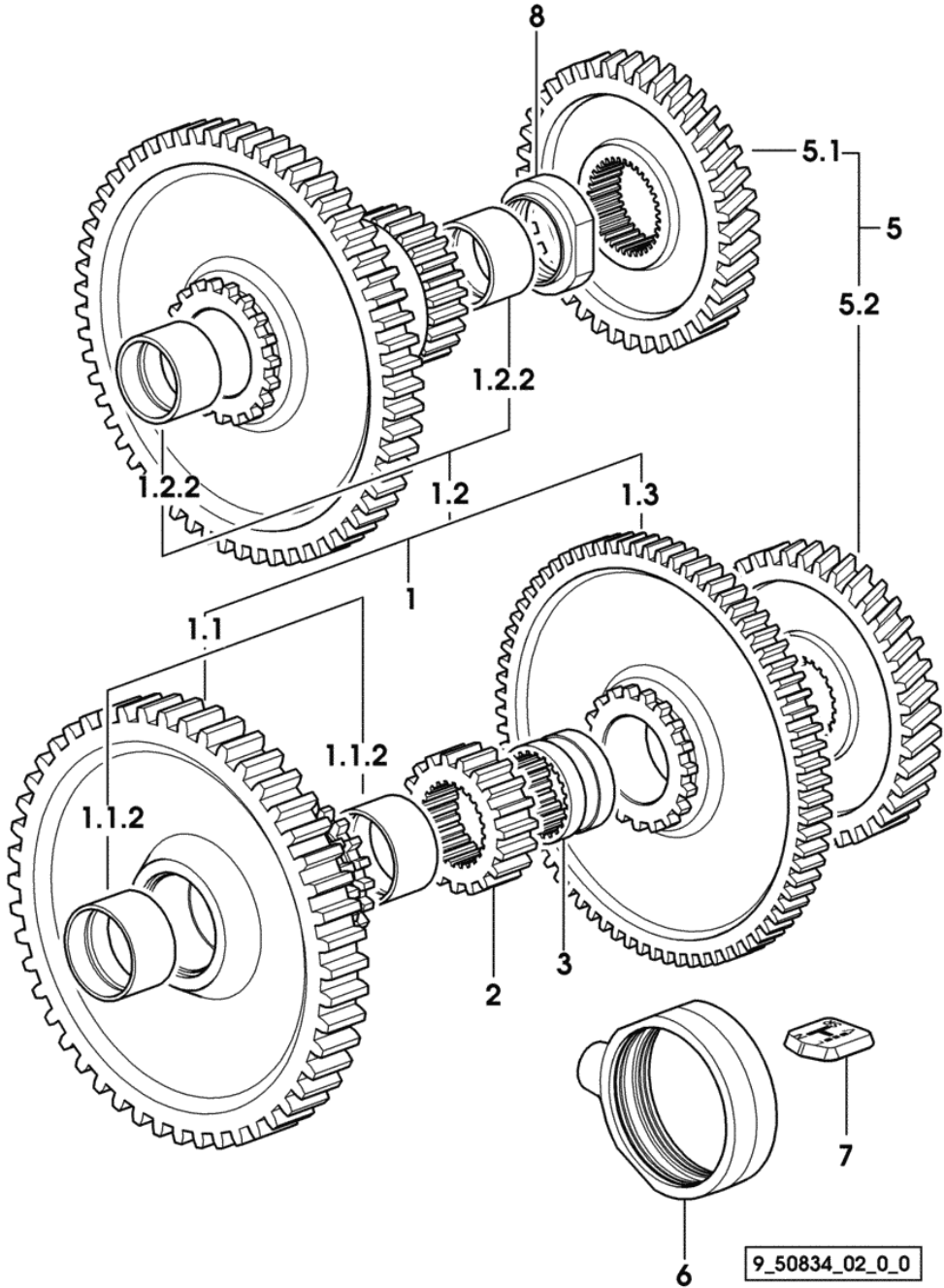
Fig.	Code	QTY	Name
1	0.000.0000.1	0	not serviceable
1.1	0.255.3435.0/10	1	gear
1.2	0.255.3436.0	1	gear z = 39
2	0.000.0000.1	0	not serviceable
2.1	0.255.3434.3/10	1	gear z = 59 - 19
2.1.2	2.1559.176.0	2	bushing 40x44x25
2.2	0.255.3437.0	1	gear
4	0.007.3556.0	1	manifold
5	0.008.4634.0/10	1	cap
6	2.1579.910.0	1	spacer 35.3x40.9x8
7	0.255.3451.0/10	1	ring nut
8	0.255.3452.0	1	shoulder



9_50834_01_0_0

Section: GEAR
4-RANGE BOX

Fig.	Code	QTY	Name
1	0.000.0000.1	0	not serviceable
1.1	0.255.3434.3/10	1	gear z = 59 - 19
1.1.2	2.1559.176.0	2	bushing 40x44x25
1.2	0.255.3453.3/30	1	gear z = 59 - 26
1.2.2	2.1559.182.0	2	bushing 35x40x25
1.3	0.255.3456.0/10	1	gear z = 75 - 19
2	0.255.3455.0	1	hub z=19
3	0.255.3458.0/20	1	sleeve
5	0.000.0000.1	0	not serviceable
5.1	0.255.3436.0	1	gear z = 39
5.2	0.255.3457.0	1	gear z = 40
6	0.007.3550.0	1	manifold
7	0.008.4635.0/10	1	cap
8	0.255.3454.0/20	1	ring nut

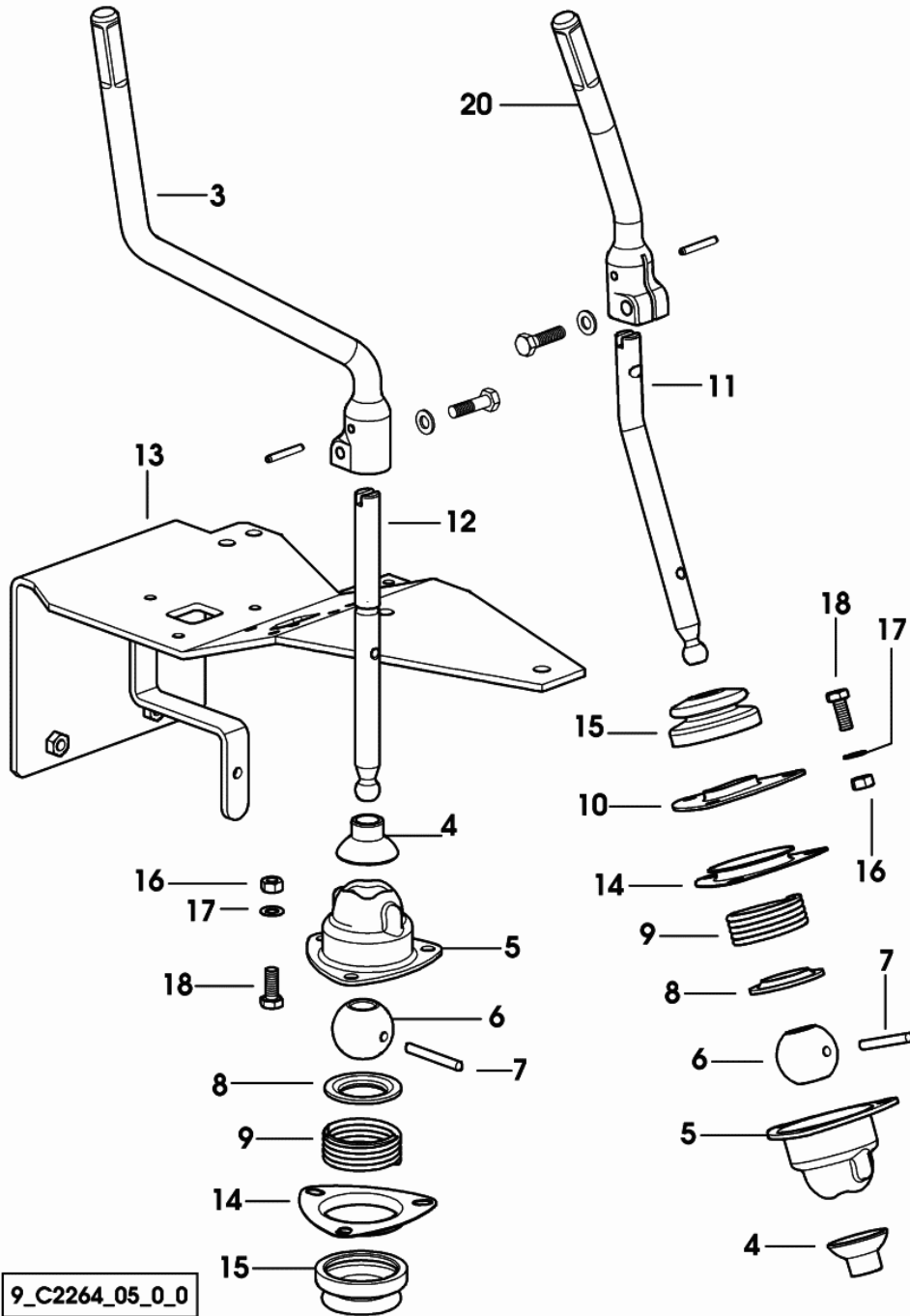


9_50834_02_0_0

Section: GEAR

GEARSHIFT LEVER - FOR TYPES WITHOUT UNDERDRIVE

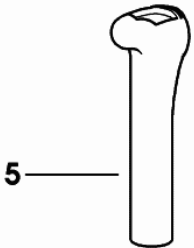
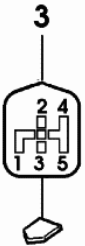
Fig.	Code	QTY	Name
3	0.014.3052.0	1	gear lever
4	0.255.6466.0/10	2	guard
5	0.467.6412.0	2	support
6	0.255.6452.0	2	ball
7	2.1699.184.0	2	pin 6x52
8	0.255.6465.0	2	cup
9	2.4019.309.1/10	2	spring 51x40x4
10	0.290.6455.0/30	1	small plate
11	0.014.2174.0	1	lever
12	0.014.2173.0	1	gear lever
13	0.014.1800.3/10	1	support
14	0.255.6451.0/10	2	cap
15	0.159.6450.0	2	support
16	2.1011.105.2	6	nut m 8 p.1.25
17	2.1470.004.2	6	lock washer 8
18	2.0112.207.2	6	screw m 8 p 1.25x20
20	0.014.2670.0	1	lever



9_C2264_05_0_0

Section: GEAR
GEAR LEVER KNOB CAP

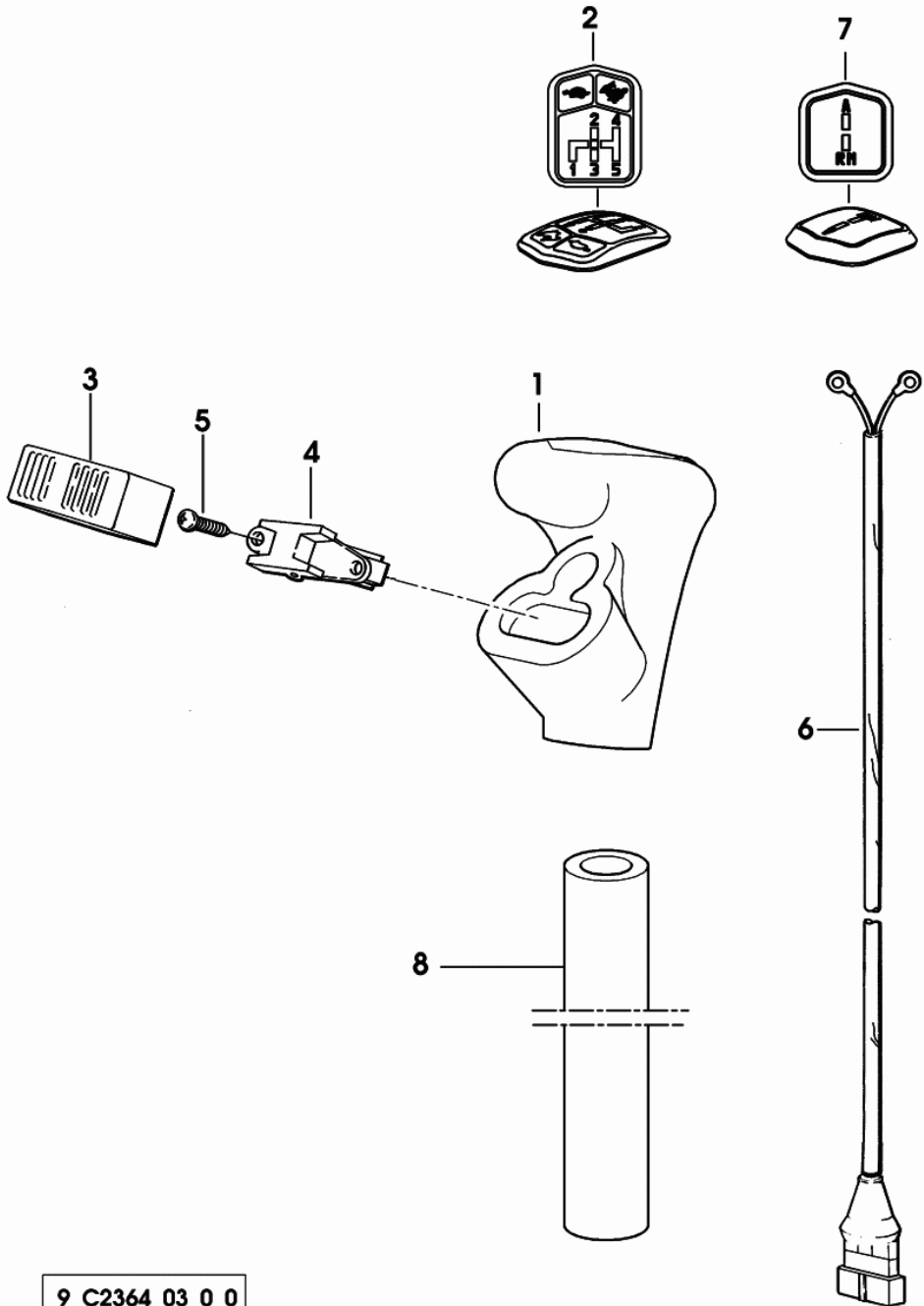
Fig.	Code	QTY	Name
3	0.008.2935.0/20	1	cap
4	0.008.2940.0/10	1	cap
5	0.008.2837.0/10	1	knob



9_50864_02_0_0

Section: GEAR
GEARSHIFT LEVER - FOR SYNCRO POWER TYPES

Fig.	Code	QTY	Name
1	0.008.2809.2/10	1	knob
2	0.008.2934.0/10	1	cap
3	0.008.2811.0	1	push-button
4	0.008.2818.3	1	push-button
5	2.0350.456.6	2	screw 4.2x19
6	0.008.3035.3/10	1	wire
7	0.008.2940.0/10	1	cap
8	0.014.3278.0	1	sheath



9_C2364_03_0_0

Section: GEAR

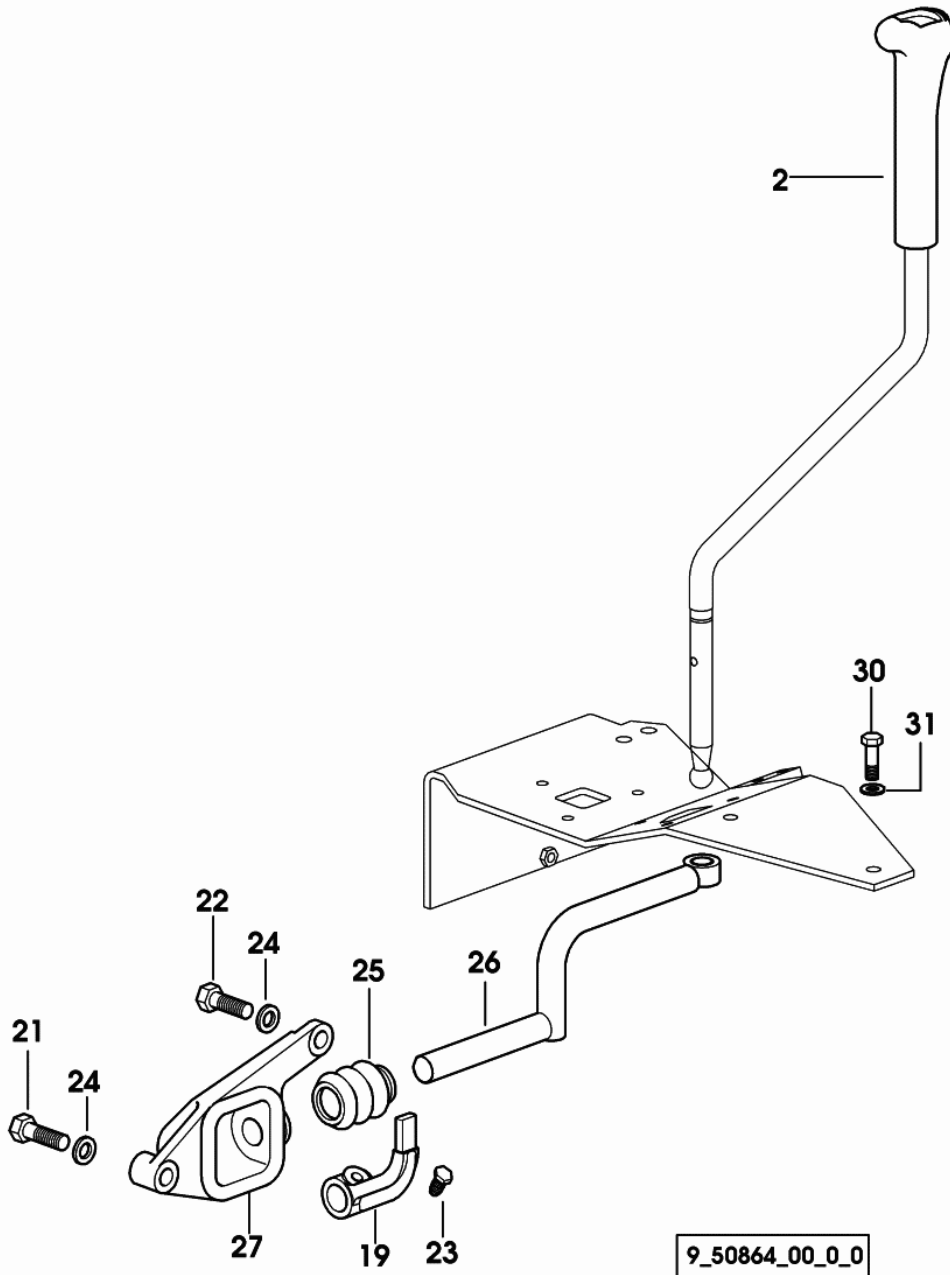
REVERSING GEAR UNIT CONTROL

Fig.	Code	QTY	Name
------	------	-----	------

Notes:

1083 <- X EXPLORER 75 T 1010 <- X EXPLORER 75 TB 1054 <- X EXPLORER 85 T 1008 <- X EXPLORER 85 TB 1066 <- X EXPLORER 95 T 1057 <- X EXPLORER 95 TB

2	0.008.2837.0/10	1	knob
19	0.290.6452.2/10	1	lever
21	2.0312.410.2	1	screw m 12
22	2.0312.408.2	1	screw M12X25
23	2.0399.019.1	1	screw m 8 p.1x16
24	2.1480.016.1	2	washer 12
25	0.233.6479.0	1	guard
26	0.290.6451.2/10	1	rod
27	0.290.6450.0/30	1	support
30	2.0112.309.2	2	screw m 10 p.1.5x25
31	2.1470.006.2	2	lock washer 10



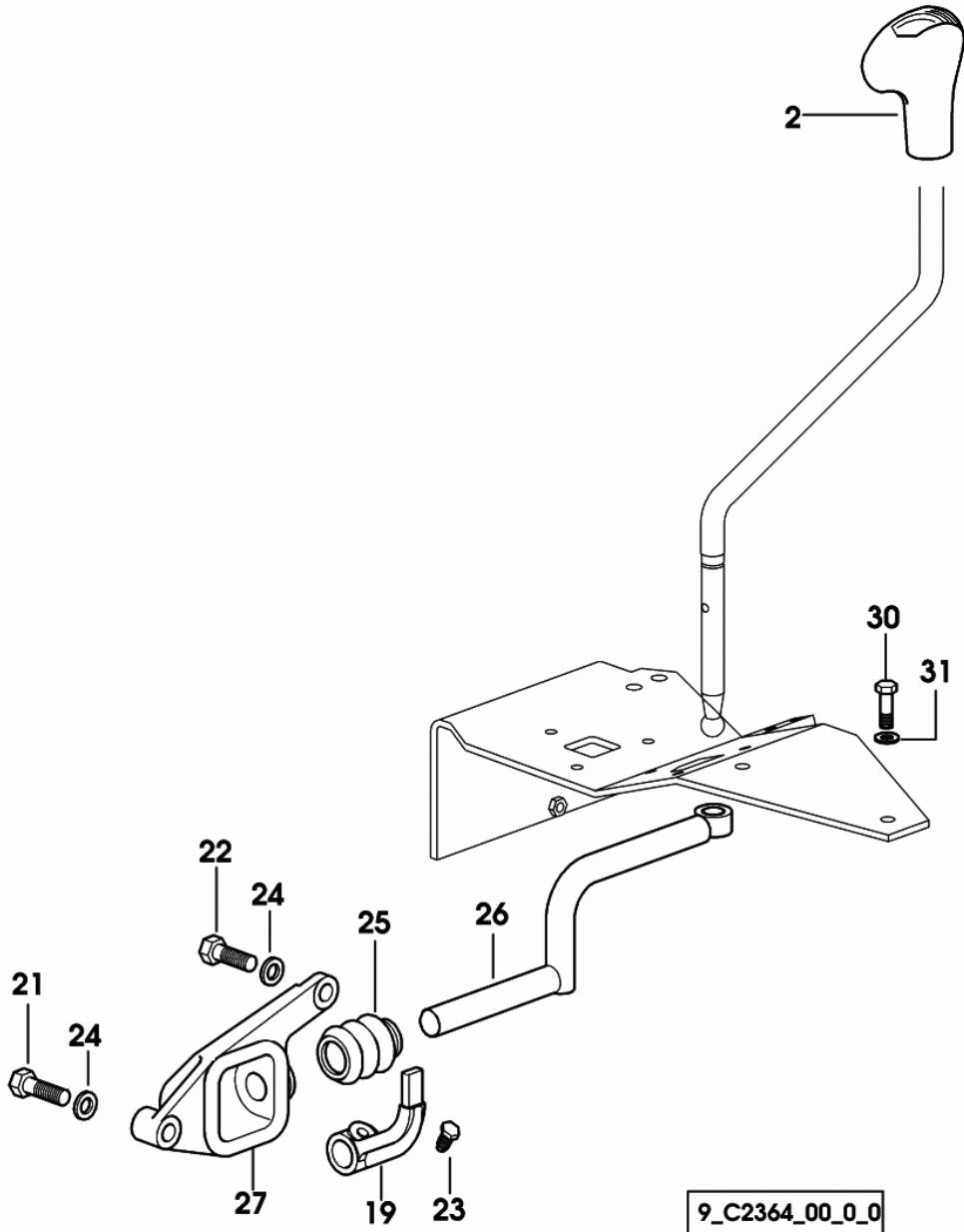
Section: GEAR

REVERSING GEAR UNIT CONTROL

Fig.	Code	QTY	Name
------	------	-----	------

Notes:

-> 1084 X EXPLORER 75T -> 1011 X EXPLORER 75TB -> 1055 X EXPLORER 85T -> 1009 X EXPLORER 85TB -> 1067 X EXPLORER 95T -> 1058 X EXPLORER 95TB



2	0.008.8683.0	1	knob
19	0.290.6452.2/10	1	lever
21	2.0312.410.2	1	screw m 12
22	2.0312.408.2	1	screw M12X25
23	2.0399.019.1	1	screw m 8 p.1x16
24	2.1480.016.1	2	washer 12
25	0.233.6479.0	1	guard
26	0.290.6451.2/10	1	rod
27	0.290.6450.0/30	1	support
30	2.0112.309.2	2	screw m 10 p.1.5x25
31	2.1470.006.2	2	lock washer 10

9_C2364_00_0_0

Section: GEAR
SPEED RANGE REDUCTION GEAR UNIT

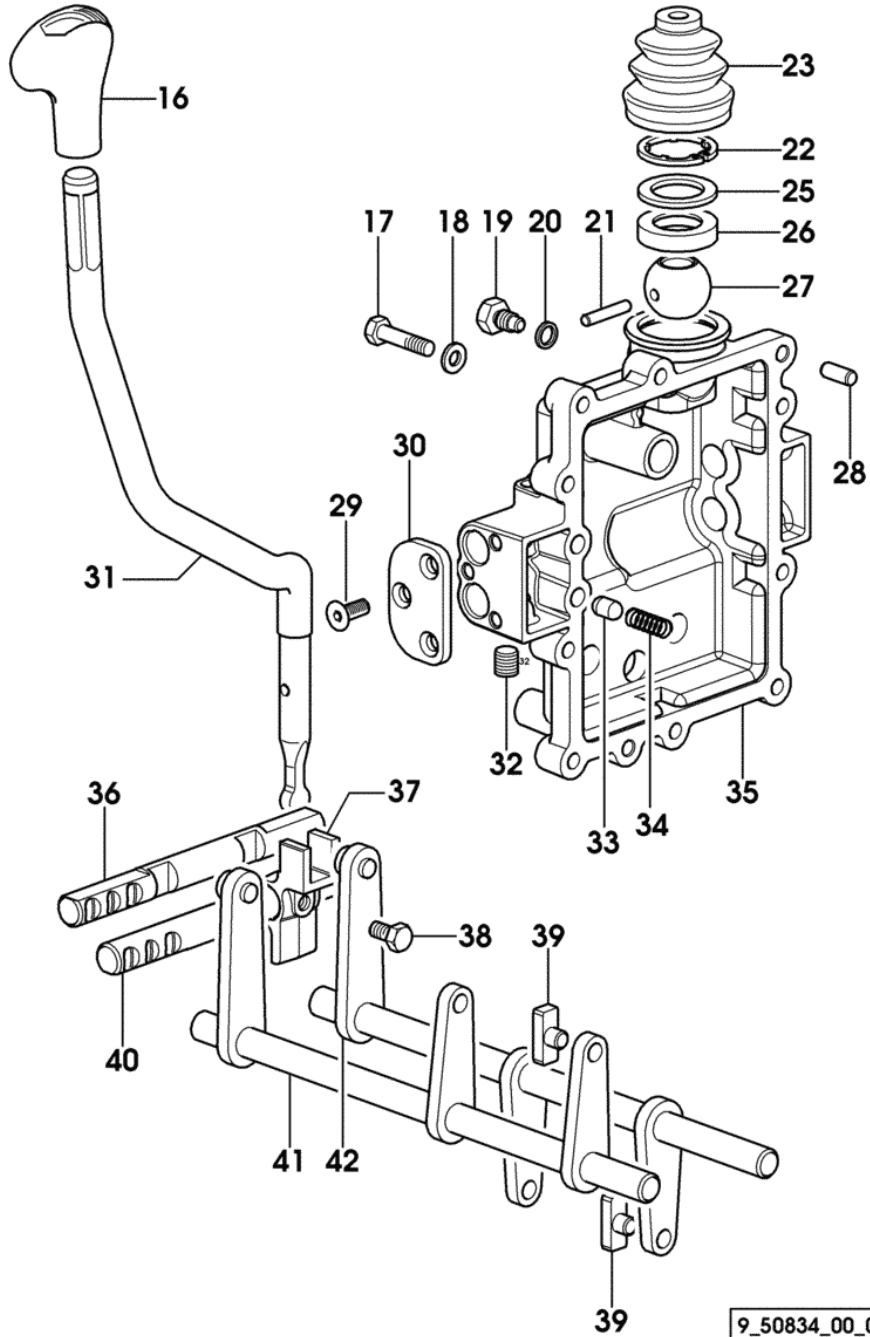


Fig.	Code	QTY	Name
------	------	-----	------

Notes:
 1280 <- X EXPLORER 75 T 1059 <- X EXPLORER 75 TB 1076 <- X EXPLORER 85 TB

16	0.008.8683.0	1	knob
17	2.0112.213.2	9	screw m 8 p.1.25x35
18	2.1481.007.1	9	washer 8
19	2.0119.124.2	1	screw m 10x16
20	2.1560.005.0	1	gasket 10.2x14
21	2.1631.515.9	1	roll pin 6x32
22	2.1499.054.1	1	circlip 42
23	0.159.6415.0/10	1	guard
25	2.1599.429.0	1	snoulder 28x41.5
26	0.255.6462.0/10	1	spacer
27	0.255.6461.0	1	ball
28	2.1651.709.0	2	pin 8x20
29	2.0342.305.3	6	screw m 8 p 1.25x20
30	0.255.3919.0/10	2	plate
31	0.008.8273.0/20	1	lever
32	2.3131.001.4	1	plug m 12 p.1.5
33	2.1699.159.0	3	pin 10x14.1
34	2.4019.622.1	2	spring 6.3x9.5x1.6x22.4
35	0.255.6436.0/60	1	cover
36	0.255.6422.0/20	1	rod
37	0.255.6460.0	1	rod-head
38	2.0399.019.1	1	screw m 8 p.1x16
39	0.255.6463.0	4	shoe
40	0.255.6423.0/10	1	rod
41	0.255.6438.2	1	fork
42	0.255.6439.2/10	1	fork

9_50834_00_0_B

Section: GEAR
SPEED RANGE REDUCTION GEAR UNIT

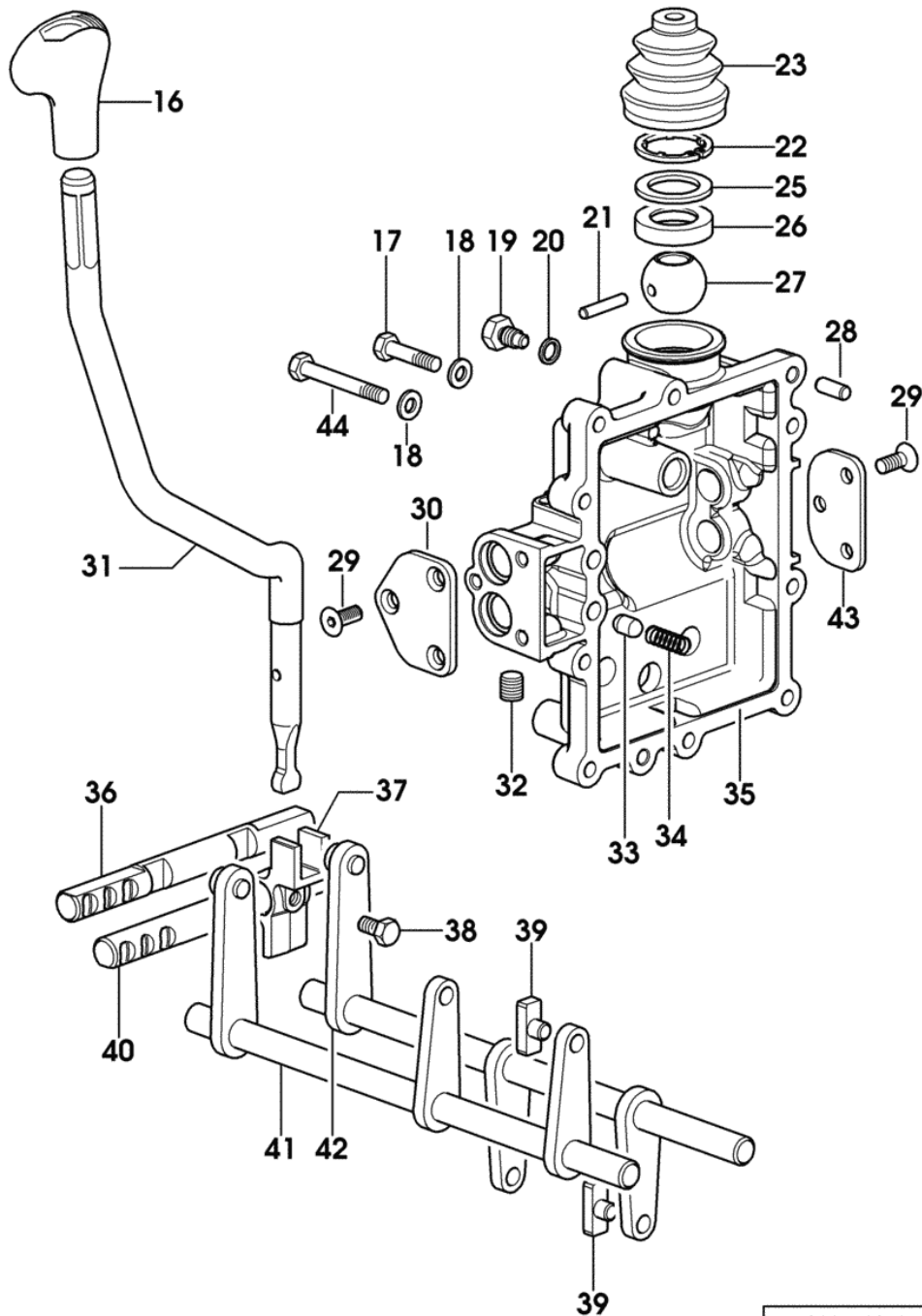


Fig.	Code	QTY	Name
------	------	-----	------

Notes:

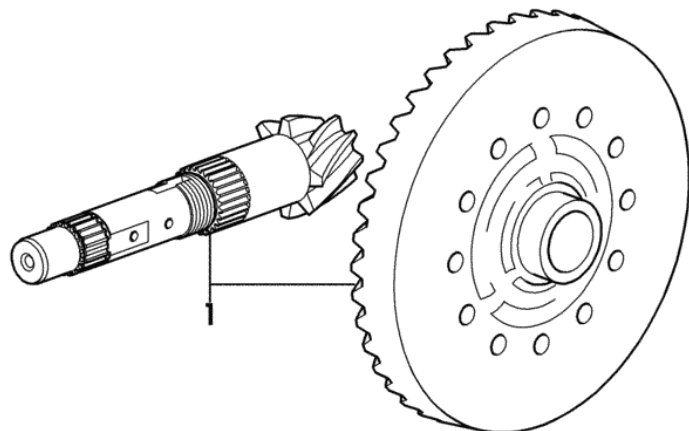
-> 1281 X EXPLORER 75T -> 1060 X EXPLORER 75TB -> 1077 X EXPLORER 85TB

16	0.008.8683.0	1	knob
17	2.0112.213.2	8	screw m 8 p.1.25x35
18	2.1481.007.1	9	washer 8
19	2.0119.124.2	1	screw m 10x16
20	2.1560.005.0	1	gasket 10.2x14
21	2.1631.515.9	1	roll pin 6x32
22	2.1499.054.1	1	circlip 42
23	0.159.6415.0/10	1	guard
25	2.1599.429.0	1	snoulder 28x41.5
26	0.255.6462.0/10	1	spacer
27	0.255.6461.0	1	ball
28	2.1651.709.0	2	pin 8x20
29	2.0342.305.3	6	screw m 8 p 1.25x20
30	0.013.5464.0	1	plate
31	0.008.8273.0/20	1	lever
32	2.3131.001.4	1	plug m 12 p.1.5
33	2.1699.159.0	3	pin 10x14.1
34	2.4019.622.1	2	spring 6.3x9.5x1.6x22.4
35	0.013.5466.0	1	cover
36	0.013.5459.0	1	rod
37	0.013.5458.0	1	hub
38	2.0399.019.1	1	screw m 8 p.1x16
39	0.255.6463.0	4	shoe
40	0.013.5460.0	1	rod
41	0.255.6438.2	1	fork
42	0.013.5359.2	1	fork
43	0.013.5465.0	1	plate
44	2.0112.222.2	1	screw m 8 p.1.25x65

Section: GEAR

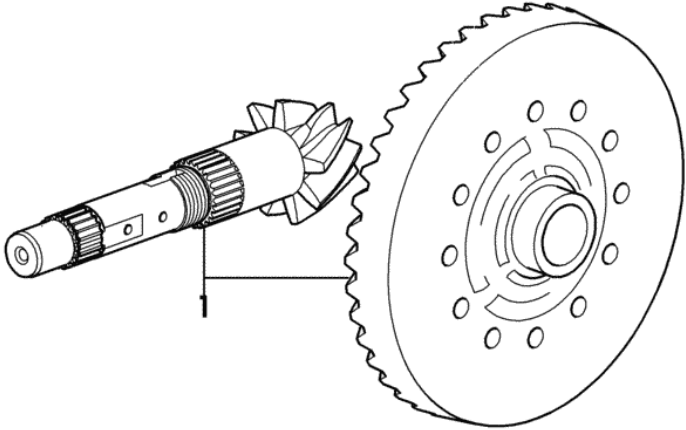
BEVEL WHEEL GEAR 30 Km/h

Fig.	Code	QTY	Name
1	0.270.3520.3/30	1	bevel gear z=8 z=43



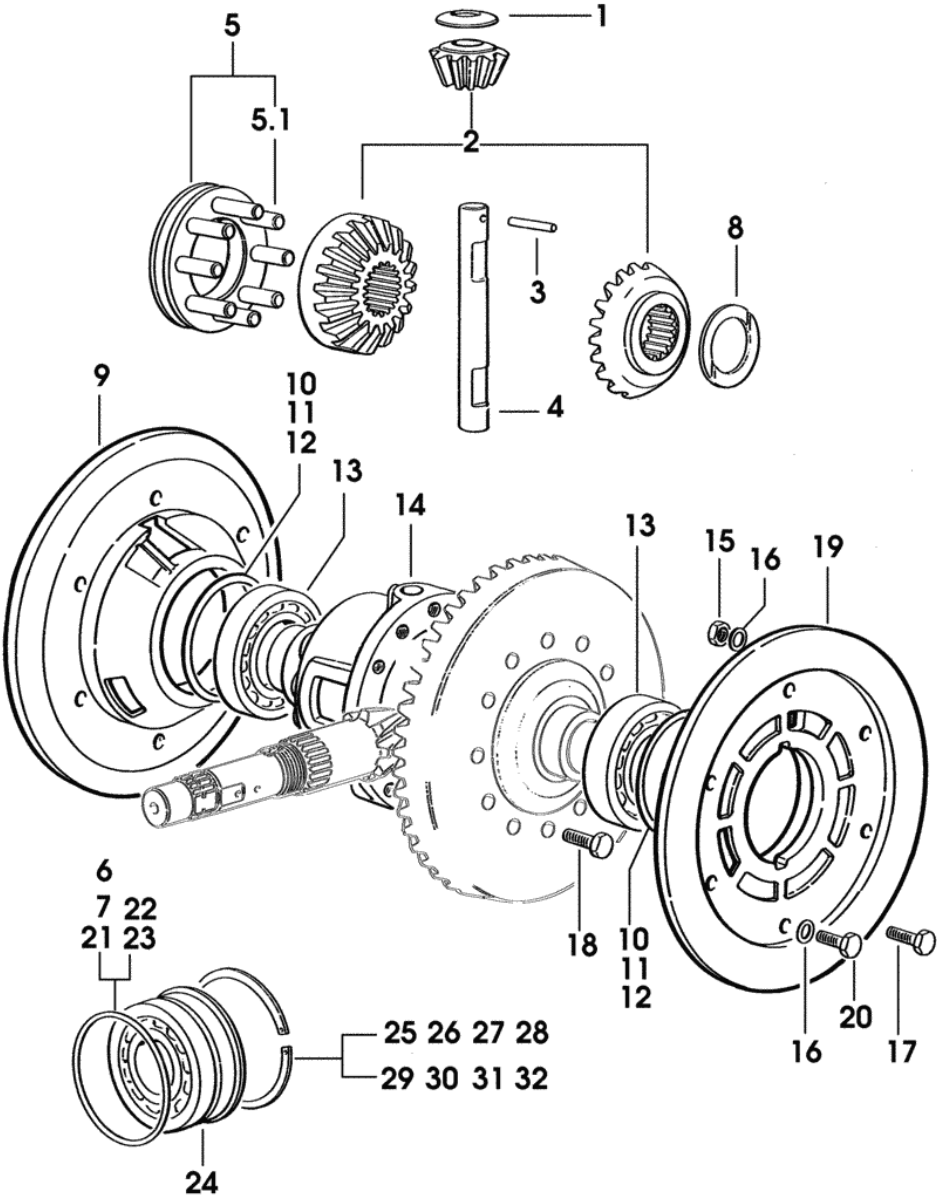
Section: GEAR
BEVEL WHEEL GEAR 40 Km/h

Fig.	Code	QTY	Name
1	0.459.3520.3/10	1	bevel gear z=9 z=38



Section: GEAR
DIFFERENTIAL

Fig.	Code	QTY	Name
1	0.157.3550.0	2	snoulder
2	0.255.3522.3/20	1	crown wheel
3	2.1631.519.0	1	roll pin 6x50
4	0.255.3525.0/20	1	pin
5	0.255.3527.3/20	1	sleeve
5.1	0.135.3550.0/10	8	pin
6	2.1589.122.0	1	shim 100.5x107x0.50
7	2.1589.123.0	1	shim 100.5x107x0.55
8	2.1599.427.0/10	2	snoulder 42x64x0.3
9	0.255.3512.0/20	1	support
10	2.1580.319.0	5	shim 86x98x0.5
11	2.1580.320.0	4	shim 86x98x0.2
12	2.1580.321.0	2	shim 86x98x0.15
13	2.2520.012.0	2	roller bearing 55x100x22.75
14	0.255.3510.0/30	1	half box
15	2.1011.106.2	2	nut m 10 p.1.5
16	2.1470.006.2	14	lock washer 10
17	2.0114.315.2	2	screw m 10 p.1.5x40
18	2.0129.028.2	12	screw m 12 p.1.25x30
19	0.255.3513.0/20	1	support
20	2.0112.313.2	10	screw m 10 p.1.5x35
21	2.1589.119.0	1	shim 100.5x107x0.30
22	2.1589.120.0	1	shim 100.5x107x0.35
23	2.1589.121.0	1	shim 100.5x107x0.40
24	2.2999.155.0	1	bearing
25	2.1499.044.1	0	circlip 115x3.4
26	2.1499.045.1	0	circlip 115x3.5
27	2.1499.046.1	0	circlip 115x3.6
28	2.1499.047.1	0	circlip 115x3.7
29	2.1499.048.1	0	circlip 115x3.8
30	2.1499.049.1	0	circlip 115x3.9
31	2.1499.050.1	0	circlip 115x4.0
32	2.1499.051.1	0	circlip 115x4.1

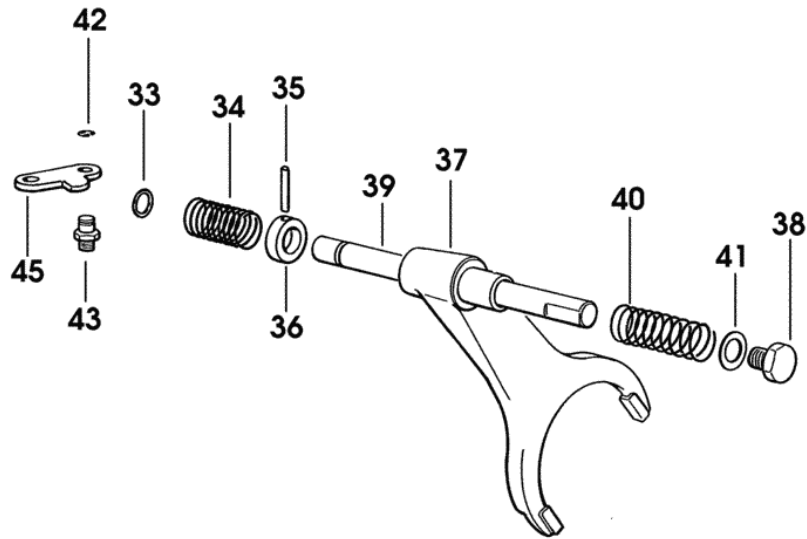


9_51135_00_0_A

Section: GEAR

DIFFERENTIAL LOCK CONTROL

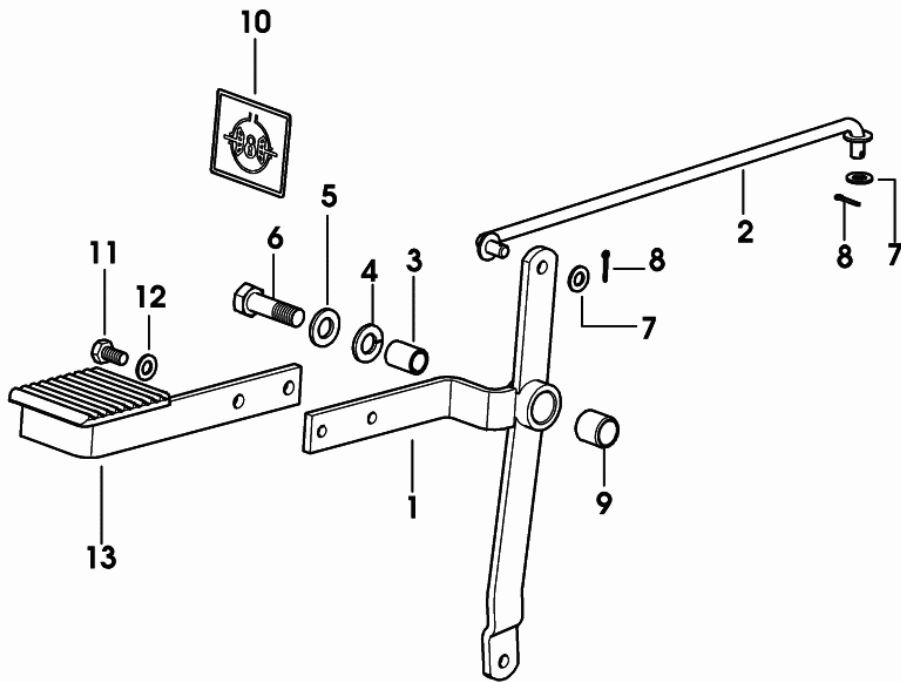
Fig.	Code	QTY	Name
33	2.1530.028.0	1	'o' ring 11.91x2.62
34	2.4019.339.1	1	spring 32x56.5x3.5
35	2.1631.415.2	1	roll pin 5x32
36	0.190.6858.0	1	stop
37	0.255.3541.0/40	1	fork
38	2.3110.405.1	1	plug m 18 p.1.5x15
39	0.255.3540.0/20	1	rod
40	2.4019.225.1	1	spring 28x79x4.5
41	2.1560.014.0	1	gasket 18.2x24x1.5
42	2.1430.008.7	1	circlip 7
43	2.1699.174.2/10	1	pin
45	0.135.6813.0/10	1	small lever



Section: GEAR

DIFFERENTIAL LOCK CONTROL

Fig.	Code	QTY	Name
1	0.014.1128.3/20	1	lever
2	0.255.6819.2/10	1	rod mm 341
3	2.1559.461.2	1	bushing
4	2.1499.032.1	1	spring washer
5	2.1310.007.2	1	flat washer 13x24
6	2.0112.415.2	1	screw m 12 p.1.75x40
7	2.1310.004.2	2	flat washer 8.4x16
8	2.1690.206.2	2	split pin 2x16
9	2.1559.128.0	1	bushing 16x20x20
10	0.007.7370.0	1	plate
11	2.0112.205.2	2	screw m 8 p.1.25x16
12	2.1310.004.2	2	flat washer 8.4x16
13	0.014.2121.3/10	1	pedal



EXPLORER 75 T

PARTS

GOVERNOR PARTS.....	577
GOVERNOR PARTS.....	578
GOVERNOR PARTS.....	579
FUEL FEED PUMP.....	583
FUEL FILTER PARTS.....	584
PRE-FILTER - COMPONENTS.....	585
PUMP-COMPONENTS.....	586
CYLINDER PARTS.....	587
SYNCHRONIZER PARTS.....	589
STEERING ROD - MECH. STEERING - TELESCOPIC AXLE.....	591
HYDRAULIC CYLINDER.....	592
STEERING ROD - MECH. STEERING - TELESCOPIC AXLE.....	593
4WD - POWER STEERING CYLINDER - COMPONENTS.....	594
4WD - AXLESHAFTS.....	596
P.T.O. - CLUTCH-PARTS.....	597
P.T.O. - CLUTCH-PARTS.....	598
HYDR. STEERING DISTRIBUTOR PARTS.....	601
HYDRAULIC PUMP PARTS.....	602
HYDRAULIC PUMP.....	603
PUMP-COMPONENTS.....	606
PUMP-COMPONENTS.....	607
HYDRAULIC PUMP PARTS.....	610
SOLENOID VALVE.....	613
WATER COOLER.....	614
REARVIEW MIRROR.....	617
REARVIEW MIRROR.....	618
AIR FILTER.....	619
SEAT SPRINGING.....	620
SEAT SPRINGING.....	621
SEAT-COMPONENTS.....	622
HEADLAMP COMPONENTS.....	623
HEADLAMP COMPONENTS.....	624
HEADLAMP COMPONENTS.....	625
HEADLAMP COMPONENTS.....	626
HEADLAMP COMPONENTS.....	629
FLASHING LIGHT SUPPORT.....	630
HEADLAMP COMPONENTS.....	631
ELECTRIC REV-HOUR RECORDER TACHOMETER.....	632
STARTER PARTS.....	633
ALTERNATOR PARTS.....	634
ELECTRICAL SYSTEM.....	635

HEADLAMP COMPONENTS.....	636
HEADLAMP COMPONENTS.....	637
HEADLAMP COMPONENTS.....	638
ELECTRICAL SYSTEM.....	639
CYLINDER PARTS.....	641
CYLINDER PARTS.....	642
HYDRAULIC DISTRIBUTOR-PARTS.....	645
ENGAGEMENT.....	646
HYDRAULIC DISTRIBUTOR-PARTS.....	647
TOWING HITCH.....	648
TOWING HITCH.....	649
LINKAGE.....	650
DRAWBAR COUPLING.....	657
DRAWBAR COUPLING.....	658
VALVE PARTS.....	664
TRAILER BRAKE VALVE.....	665

Section: PARTS
GOVERNOR PARTS

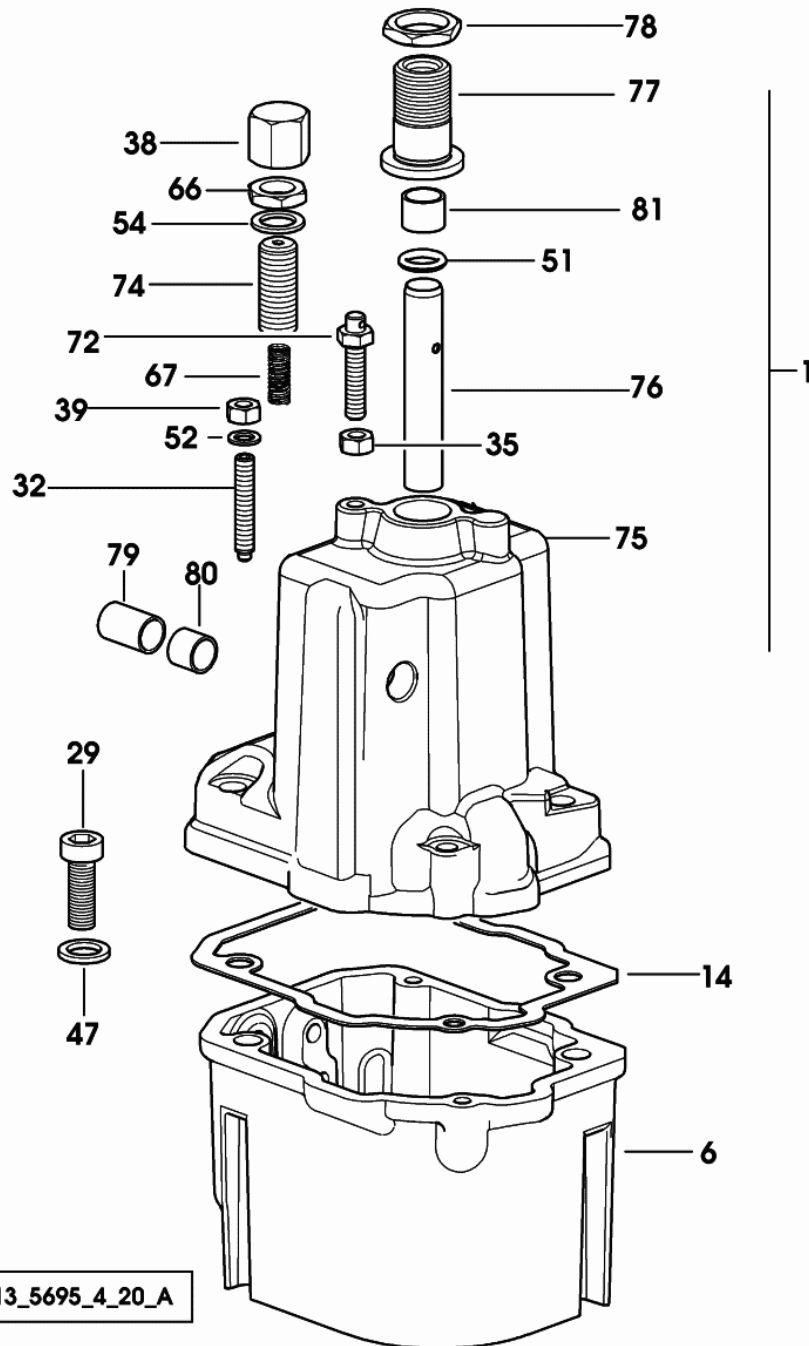


Fig.	Code	QTY	Name
1	0.000.0000.1	-	not serviceable
6	0.065.1652.0/10	1	governor housing
14	0.065.1673.0/20	1	gasket
29	2.0312.112.2	2	screw m 6 p.1x35
32	2.0599.063.1	1	screw m 6x35
35	2.1011.103.2	1	nut m 6 p.1
38	2.1099.105.2	1	cap nut m 12 p.1.25
39	2.1120.103.2	1	nut m 6
47	2.1480.012.1	2	washer 6
51	2.1530.022.0	1	'o' ring 9.92x2.62
52	2.1560.001.0	2	gasket 6.2x10
54	2.1560.008.0	2	gasket 12.2x18
66	2.1019.086.2	1	nut m 12 p.1.25
67	2.4019.367.7	1	spring 6.8x18.5x0.8
72	2.0399.111.2	1	screw m 6x26
74	0.066.1665.0	1	screw
75	0.065.1651.0	1	cover
76	0.065.1678.0/10	1	tube
77	0.065.1677.0/10	1	pipe fitting
78	2.1099.096.2	1	nut m 18 p.1.5
79	2.1579.729.7	1	sleeve 10x12x18
80	2.1579.728.7	1	sleeve 10x12x10
81	2.1555.005.0	1	bushing 10x12x10

0_013_5695_4_20_A

Section: PARTS
GOVERNOR PARTS

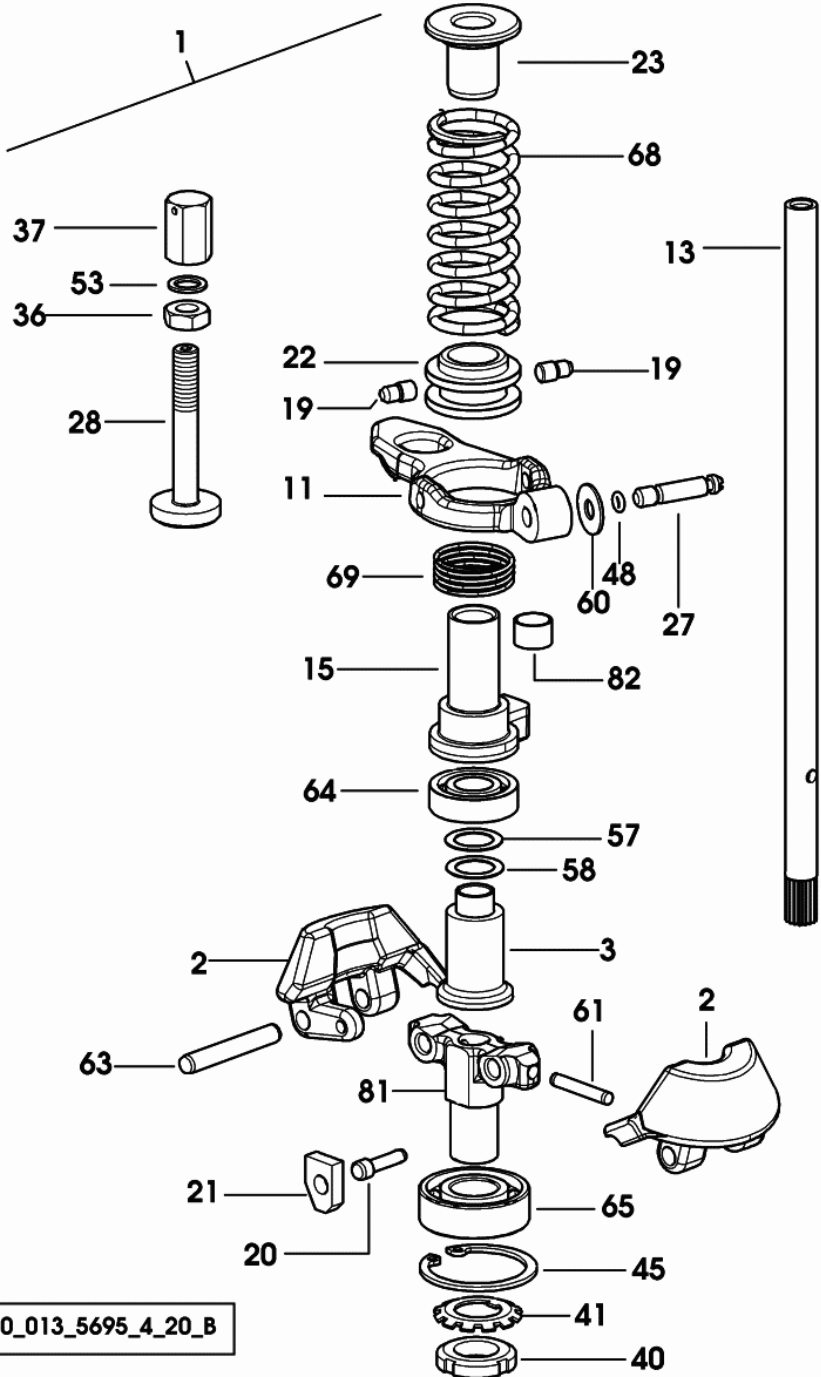


Fig.	Code	QTY	Name
1	0.000.0000.1	-	not serviceable
2	0.065.1616.0	2	adjust.rocker
3	0.065.1618.0	1	sleeve
11	0.066.1664.0	1	lever
13	0.065.1671.3/10	1	shaft
15	0.065.1670.0/10	1	sleeve
19	0.065.1681.0/10	2	pin
20	0.065.1682.0	1	pin
21	0.065.1683.0	2	small plate
22	0.065.1684.0/10	1	sleeve
23	0.065.1685.0/10	1	sleeve
27	2.0399.101.7	1	screw m 6x30
28	2.0399.147.2	1	screw m 8 p.1x58
36	2.1011.505.2	3	nut m 8 p.1
37	2.1099.121.2/10	1	cap nut m 8 p.1
40	2.1211.003.2	1	ring nut 15 mc
41	2.1241.003.1	1	lock-nut 15
45	2.1411.014.1	1	circlip 35
48	2.1530.003.0	1	'o' ring 2.90x1.78
53	2.1560.003.0	3	gasket 8.2x12
57	2.1589.160.0	2	shim 12.5x18x0.5
58	2.1589.161.0	2	shim 12.5x18x0.2
60	2.1599.457.2	2	snoulder 6.2x16x1
61	2.1631.311.0	1	roll pin 3x24
63	2.1655.312.0	2	pin a 6x40
64	2.2030.002.0	1	ball bearing 12x28x8
65	2.2040.003.0	1	ball bearing iso 15 bc 02
68	2.4019.762.7	1	spring 29x68x3.4
69	2.4019.317.0	1	spring 25.4x24.5x1.4
81	0.065.1615.0/10	1	support
82	2.1555.005.0	2	bushing 10x12x10

0_013_5695_4_20_B

Section: PARTS
GOVERNOR PARTS

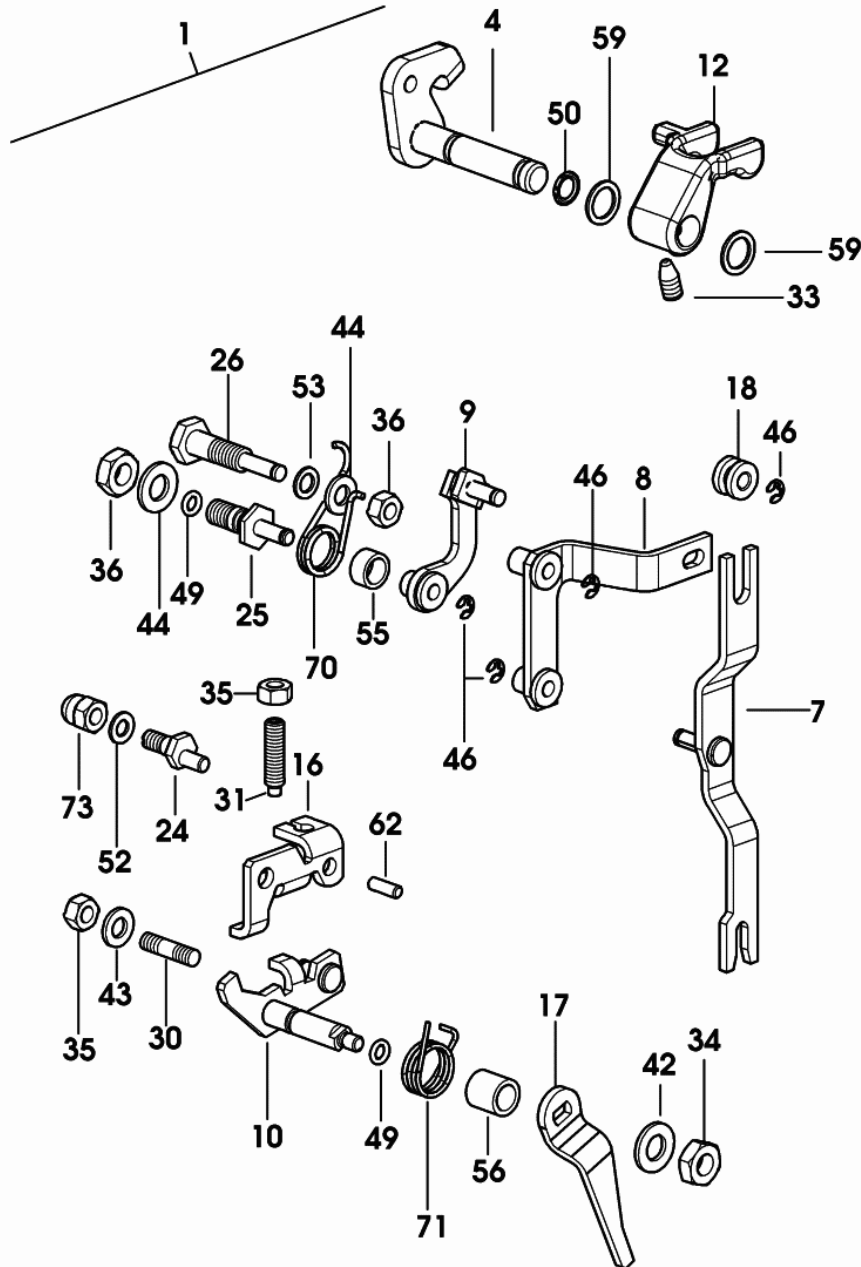
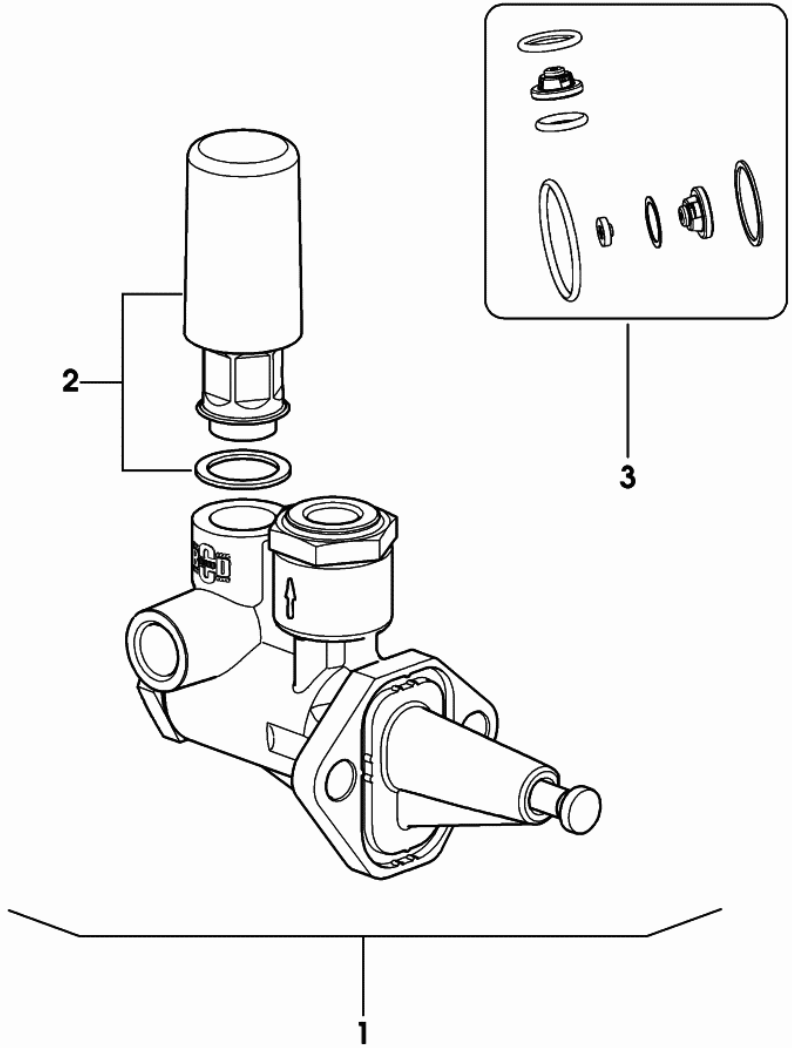


Fig.	Code	QTY	Name
1	0.000.0000.1	-	not serviceable
4	0.066.1622.2	1	lever
7	0.065.1664.2/10	1	lever
8	0.065.1665.2/20	1	lever
9	0.007.0760.2	1	lever
10	0.065.1667.2	1	lever
12	0.065.1669.0	1	lever
16	0.065.1675.0	1	bracket
17	0.065.1679.0/10	1	lever
18	0.065.1680.0	1	bushing
24	0.065.1686.0/20	1	eccentric
25	0.065.1687.0	1	pin
26	2.0399.300.7	1	pin m 8 p.1x38.5
30	2.0439.158.2	1	stud bolt m 8x15
31	2.0522.110.7	1	screw
33	2.0599.057.2/10	1	screw
34	2.1011.102.2	1	nut m 5 p.0.7
35	2.1011.103.2	3	nut m 6 p.1
36	2.1011.505.2	3	nut m 8 p.1
42	2.1310.001.2	1	flat washer 5.3x10
43	2.1310.002.2	1	flat washer 6.4x12.5
44	2.1310.004.2	2	flat washer 8.4x16
46	2.1430.004.7	2	circlip 3.2
49	2.1530.007.0	2	'o' ring 4.48x1.78
50	2.1530.012.0	2	'o' ring 6.75x1.78
52	2.1560.001.0	2	gasket 6.2x10
53	2.1560.003.0	3	gasket 8.2x12
55	2.1579.726.2/10	1	spacer 8.4x11.5x6
56	2.1579.730.2	1	spacer 8.4x12x12
59	2.1599.456.2/10	2	snoulder 10.2x14x1
62	2.1651.305.0	1	pin 4x12
70	2.4099.062.2	1	spring
71	2.4099.034.2	1	spring
73	2.1030.001.7	1	nut m 6

0_013_5695_4_20_C

Section: PARTS
FUEL FEED PUMP

Fig.	Code	QTY	Name
1	2.4519.330.0/50	1	feed pump
2	0.010.3888.0	1	primer
3	0.010.3888.1	1	part set

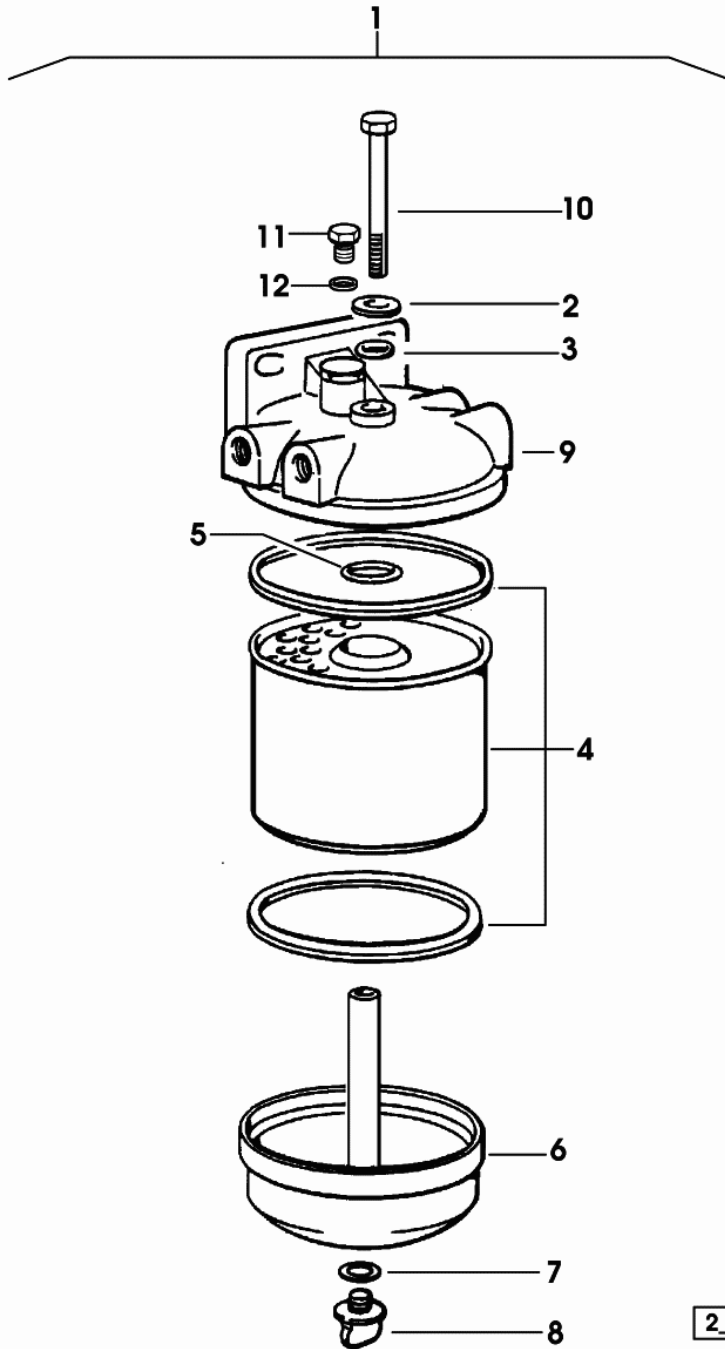


2_4519_330_0_50

Section: PARTS

FUEL FILTER PARTS

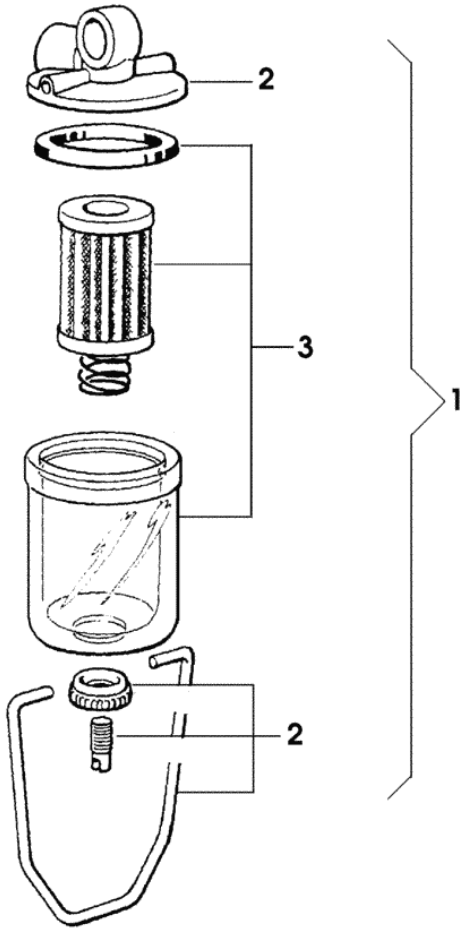
Fig.	Code	QTY	Name
1	2.4319.060.0/20	1	fuel filter
2	2.1310.003.2	1	flat washer 7.4x14
3	2.1530.010.0	1	'o' ring 6.07x1.78
4	2.4319.060.1	1	fuel filter element
5	2.1530.034.0	1	'o' ring 13.95x2.62
6	2.4319.061.1	1	cup
7	2.4319.061.2	1	gasket 8x14x1.5
8	2.4319.061.3	1	plug m 8 p.1.25
9	0.000.0000.1	0	not serviceable
10	2.4319.060.2	1	screw
11	2.3119.005.2	1	plug m 10 p.1.5
12	2.1560.005.0	1	gasket 10.2x14



2_4319_060_0_20

Section: PARTS
PRE-FILTER - COMPONENTS

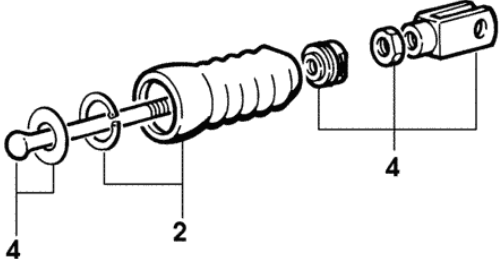
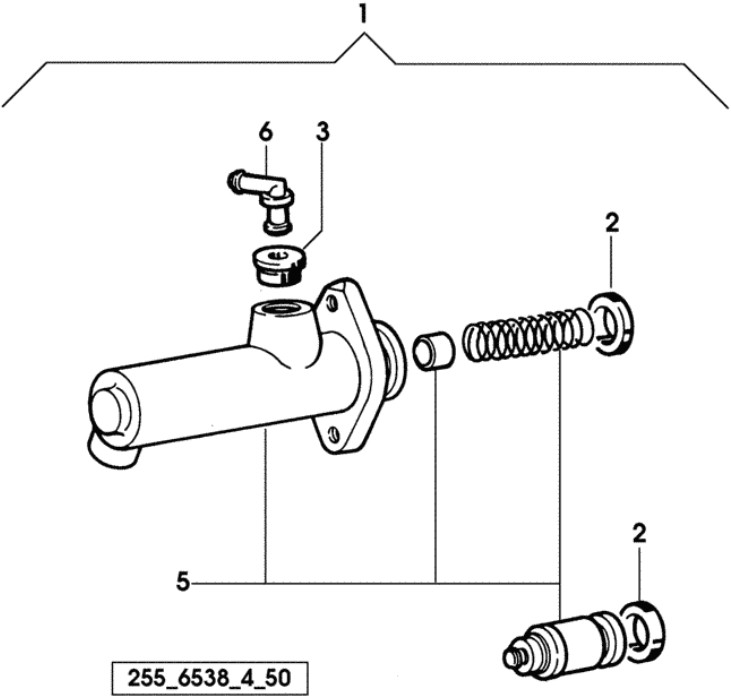
Fig.	Code	QTY	Name
1	2.4319.220.0	1	precleaner
2	0.000.0000.1	0	not serviceable
3	2.4319.220.6	1	filter



2_4319_220_0

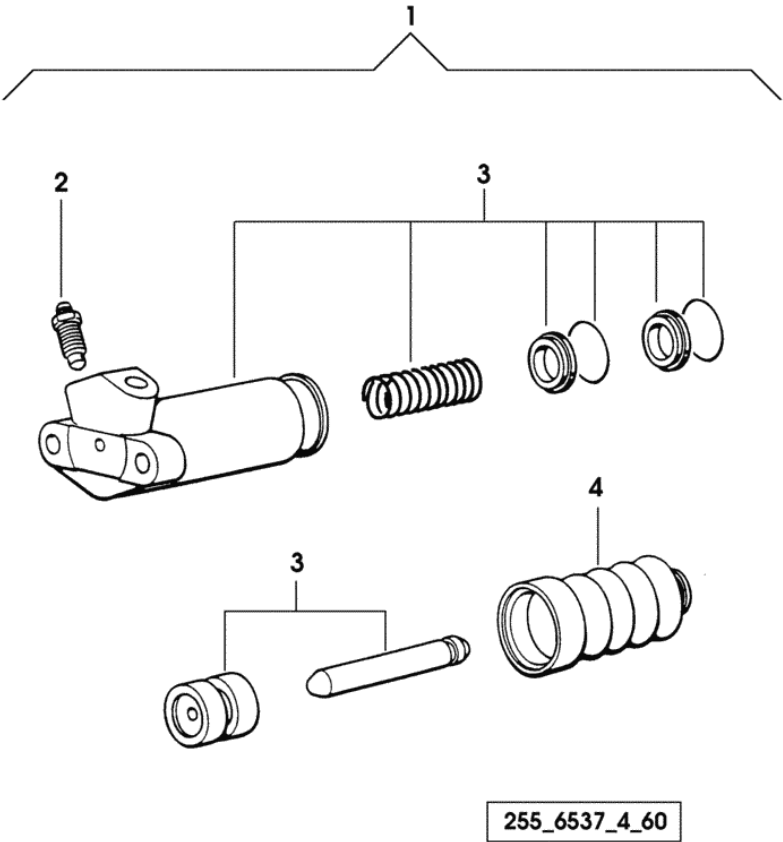
Section: PARTS
PUMP-COMPONENTS

Fig.	Code	QTY	Name
1	0.255.6538.4/50	1	pump
2	0.255.6538.6	1	repair seal set
3	0.003.5099.0	1	rubber plug
4	0.255.6560.1	1	rod
5	0.000.0000.1	0	not serviceable
6	0.257.6691.1	1	coupling



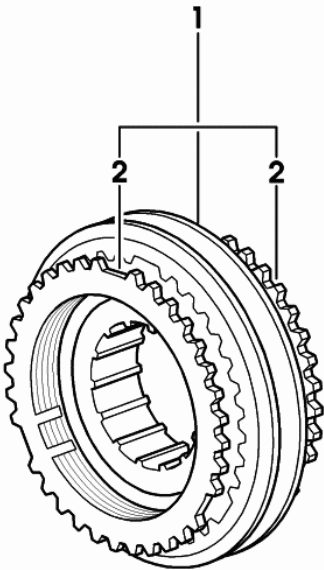
Section: PARTS
CYLINDER PARTS

Fig.	Code	QTY	Name
1	0.255.6537.4/60	1	cylinder
2	0.009.4329.1	1	screw
3	0.000.0000.1	0	not serviceable
4	0.009.4891.1	1	guard



Section: PARTS
SYNCHRONIZER PARTS

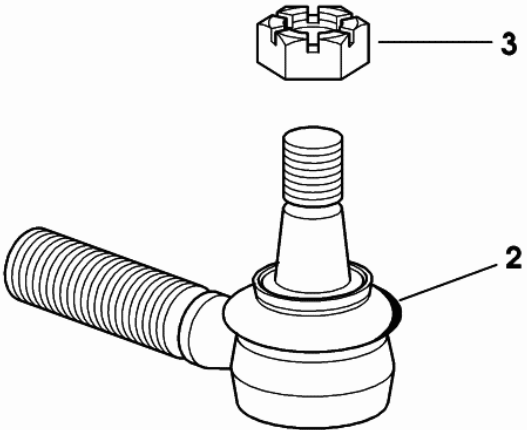
Fig.	Code	QTY	Name
1	0.007.7646.4/10	1	lock synchronizer
2	0.009.4324.1	2	ring



0_007_7646_4_10

Section: PARTS
STEERING ROD - MECH. STEERING - TELESCOPIC AXLE

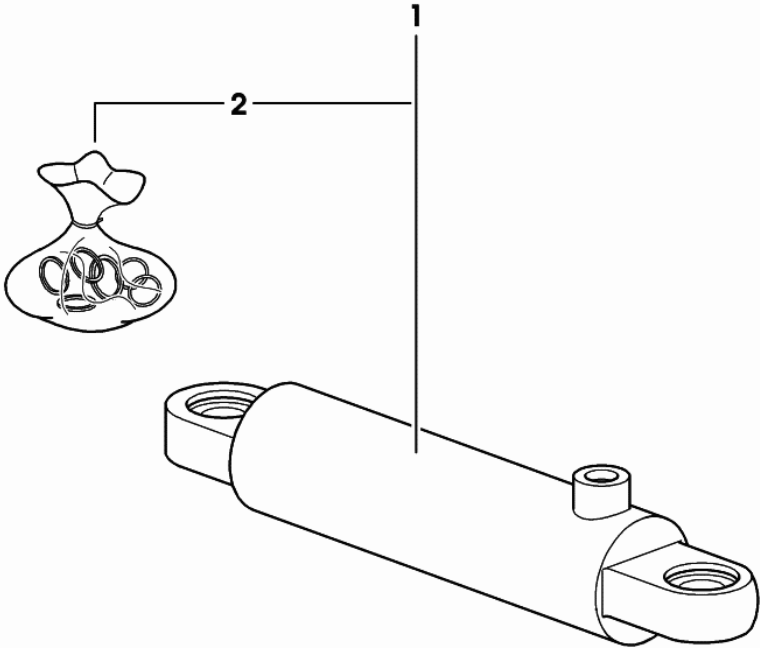
Fig.	Code	QTY	Name
1	0.010.0487.4	1	ball joint
2	0.900.0025.5	1	guard
3	0.900.0025.6	1	nut



0_010_0487_4

Section: PARTS
HYDRAULIC CYLINDER

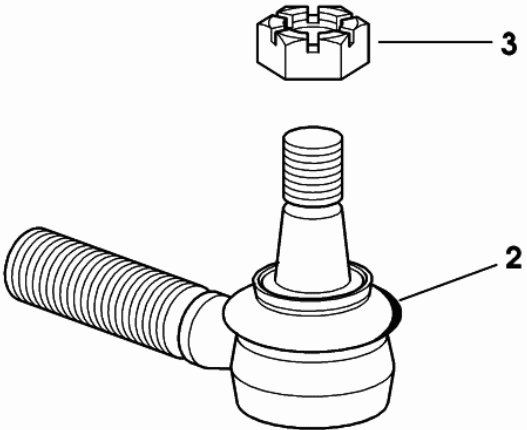
Fig.	Code	QTY	Name
1	0.255.6342.4/10	1	jack
2	0.261.6374.1	1	seal ring kit



0_255_6342_4_10

Section: PARTS
STEERING ROD - MECH. STEERING - TELESCOPIC AXLE

Fig.	Code	QTY	Name
1	0.010.0488.4/10	1	joint
2	0.900.0025.7	1	guard
3	0.900.0025.8	1	nut

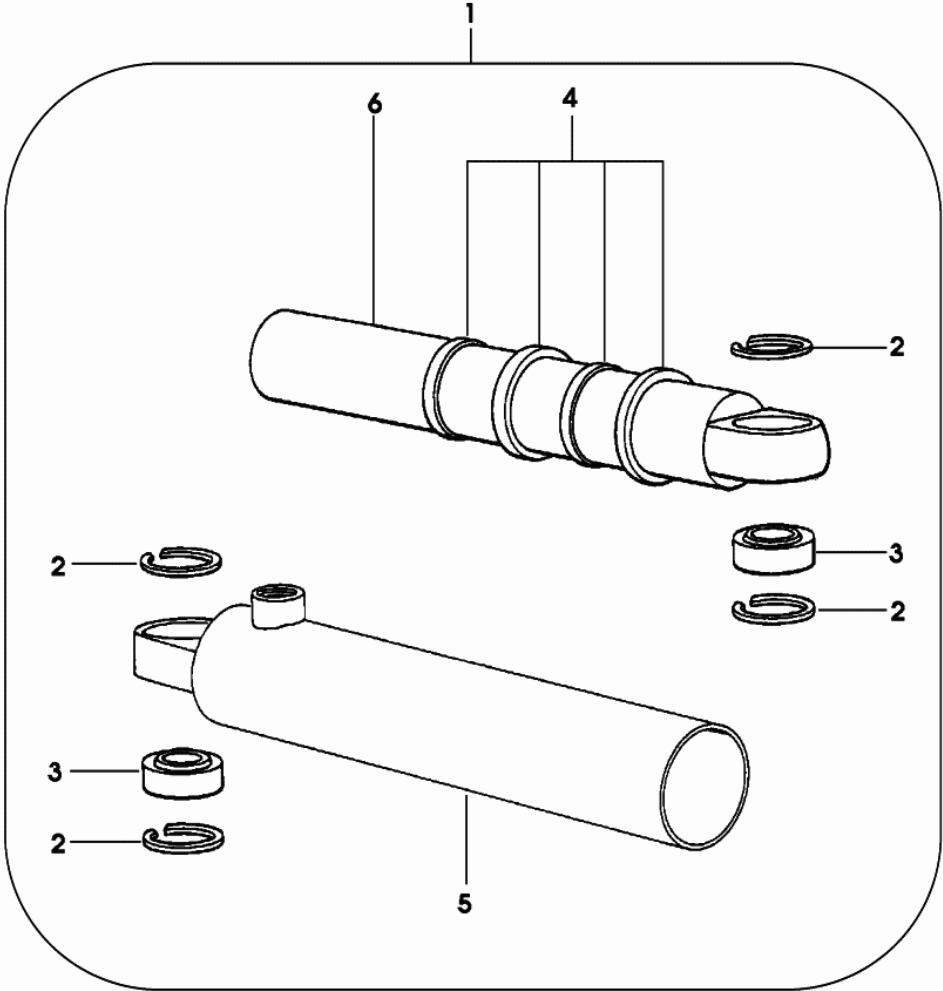


0_010_0488_4_10

Section: PARTS

4WD - POWER STEERING CYLINDER - COMPONENTS

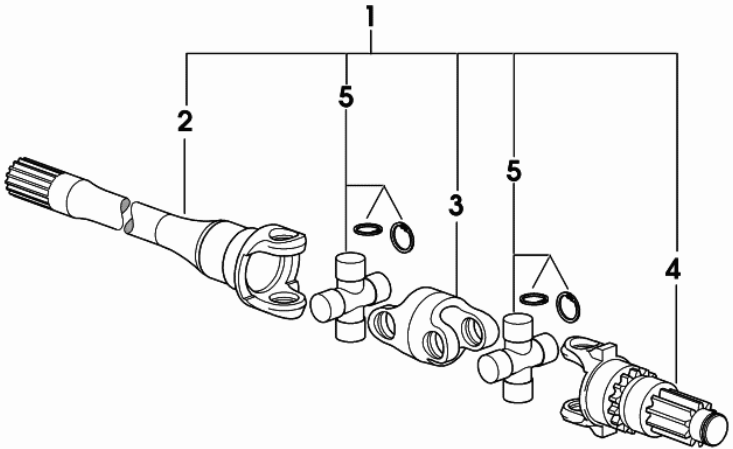
Fig.	Code	QTY	Name
1	0.448.6342.4	1	jack
2	2.1423.026.1	4	snoulder 35x1.5
3	0.176.6371.0	2	cap
4	0.273.6363.4/10	1	seal ring kit
5	0.000.0000.1	0	not serviceable
6	0.448.6350.1	1	stem



448_6342_4

Section: PARTS
4WD - AXLESHAFTS

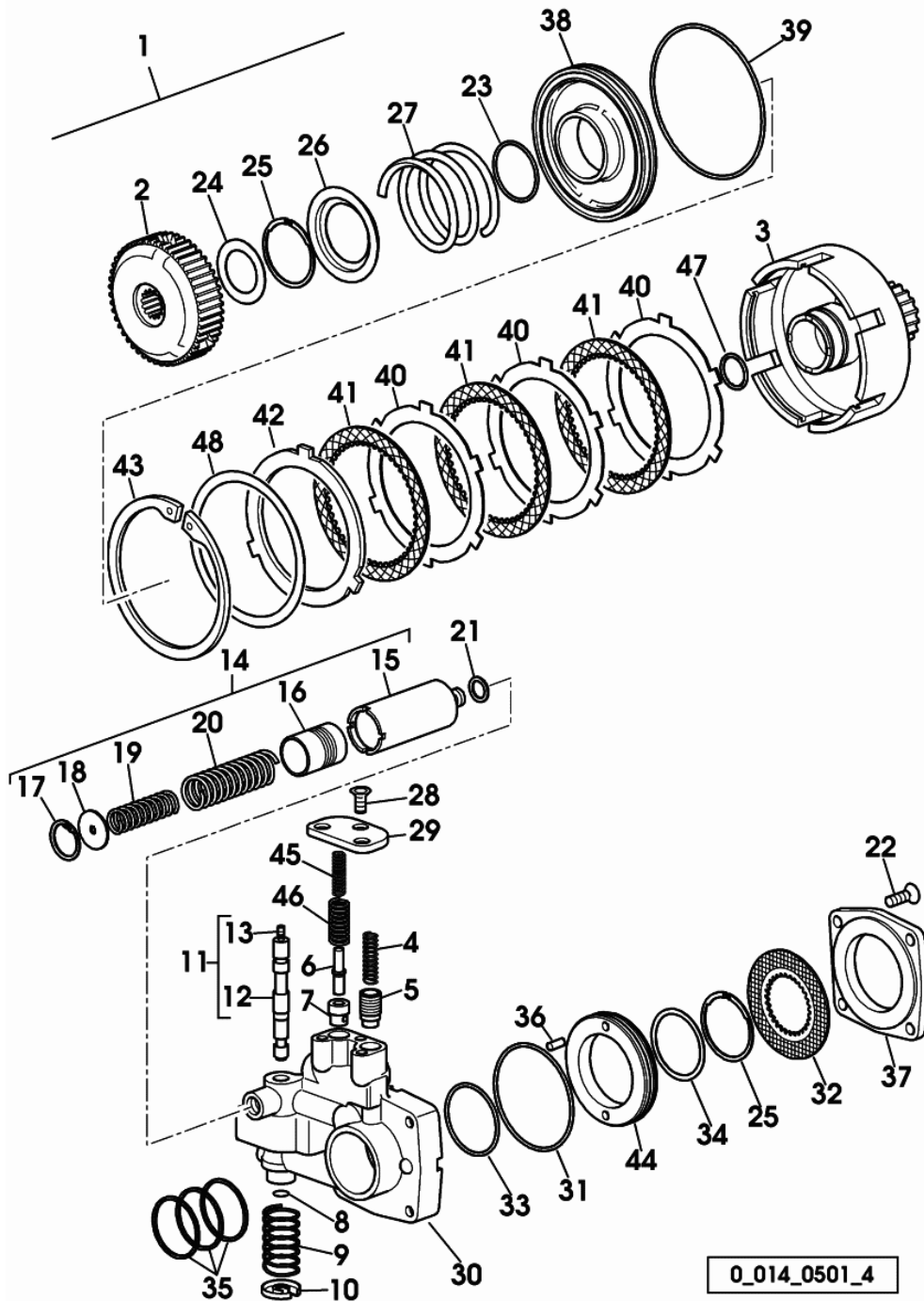
Fig.	Code	QTY	Name
1	0.010.5413.4/10	1	half-shaft
2	0.010.2569.0	1	half-shaft
3	0.010.2569.1	1	fork
4	0.010.2569.2	1	half-shaft
5	0.010.2570.0	2	universal joint



010_5413_4_10_A

Section: PARTS

P.T.O. - CLUTCH-PARTS



0_014_0501_4

Fig.	Code	QTY	Name
1	0.014.0501.4	1	hydraulic pto clutch
2	0.445.3932.0/20	1	hub
3	0.255.3910.0/50	1	body
4	2.4019.312.1	1	spring 11.5x38x1.2
5	0.255.3920.0/10	1	valve
6	0.255.3968.0/10	1	small piston
7	0.255.3967.0/10	1	sleeve
8	2.1421.004.1	1	circlip b 12
9	2.4019.302.1/10	1	spring 28.3x45.3x1.8
10	0.255.3956.0	1	cup
11	0.255.3914.3	1	stem
12	0.000.0000.1	1	not serviceable
13	2.0512.001.7	1	screw
14	0.010.0526.4/10	1	accumulator
15	0.000.0000.1	1	not serviceable
16	0.010.0525.0	1	piston
17	2.1411.013.7	1	ring 32
18	2.1599.241.0	1	snoulder 6x31x2
19	2.4019.636.1	1	spring
20	2.4019.638.1	1	spring
21	2.1560.010.0	1	gasket 14.2x20
22	2.0342.305.2	4	screw m 8 p.1.25x20
23	2.1539.067.0	1	'o' ring 44.12x2.72
24	2.1599.415.0	1	snoulder 35x52x1
25	2.1419.027.1	2	circlip 48
26	0.255.3933.0	1	disc
27	2.4019.373.1	1	spring 79.5x61.5x6.5
28	2.0342.305.2	3	screw m 8 p.1.25x20
29	0.255.3919.0/10	1	plate
30	0.000.0000.1	1	not serviceable
31	2.1532.503.0	1	'o' ring 82.14x2.62
32	0.014.0360.2	1	disc
33	2.1532.133.0	1	'o' ring 53.64x2.62
34	2.1599.416.0	1	snoulder 50x58x1
35	2.1569.109.0	3	gasket 46x50x2
36	2.1651.506.0	2	cylindrical plug 6x14
37	0.255.3926.0/10	1	cover
38	0.255.3938.0/40	1	piston
39	2.1539.064.0	1	'o' ring 120.33x2.62
40	0.013.9453.0	3	disc
41	0.255.3970.2	3	disc
42	0.255.3969.0/10	1	disc
43	2.1419.035.1	1	circlip 127
44	0.255.3922.0/30	1	piston D 90

Section: PARTS
P.T.O. - CLUTCH-PARTS

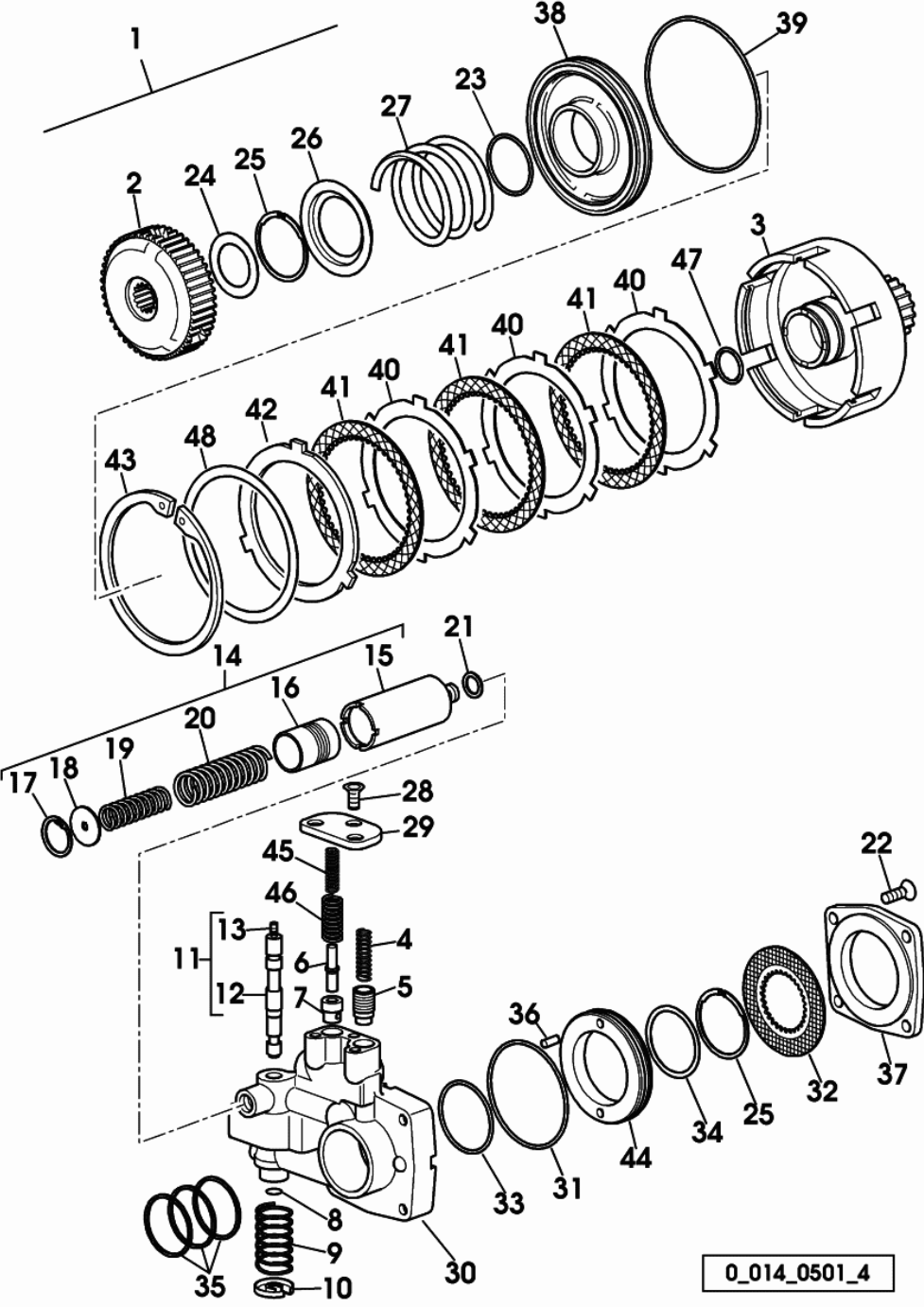


Fig.	Code	QTY	Name
45	2.4019.414.1	1	spring 10.3x33x1.3
46	2.4019.370.1	1	spring 15.4x32.5x2.2
47	2.1530.062.0	1	'o' ring 23.81x2.62
48	2.1599.498.0	1	snoulder 110x126.5x1.2

0_014_0501_4

Section: PARTS
P.T.O. - CLUTCH-PARTS

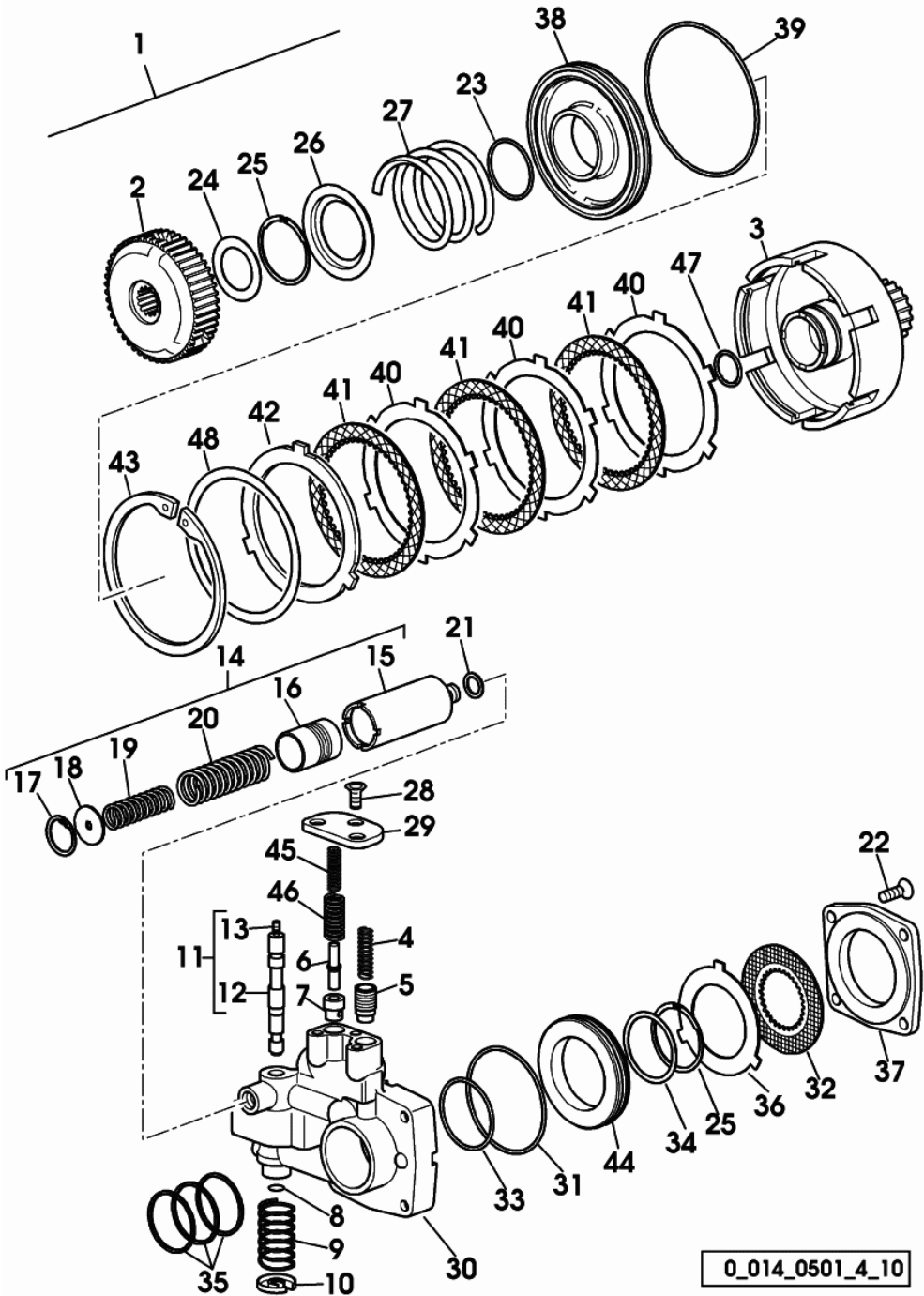


Fig.	Code	QTY	Name
1	0.014.0501.4/10	1	hydraulic pto clutch
2	0.445.3932.0/20	1	hub
3	0.255.3910.0/50	1	body
4	2.4019.312.1	1	spring 11.5x38x1.2
5	0.255.3920.0/10	1	valve
6	0.255.3968.0/10	1	small piston
7	0.255.3967.0/10	1	sleeve
8	2.1421.004.1	1	circlip b 12
9	2.4019.302.1/10	1	spring 28.3x45.3x1.8
10	0.255.3956.0	1	cup
11	0.255.3914.3	1	stem
12	0.000.0000.1	1	not serviceable
13	2.0512.001.7	1	screw
14	0.010.0526.4/10	1	accumulator
15	0.000.0000.1	1	not serviceable
16	0.010.0525.0	1	piston
17	2.1411.013.7	1	ring 32
18	2.1599.241.0	1	snoulder 6x31x2
19	2.4019.636.1	1	spring
20	2.4019.638.1	1	spring
21	2.1560.010.0	1	gasket 14.2x20
22	2.0342.305.2	4	screw m 8 p.1.25x20
23	2.1539.067.0	1	'o' ring 44.12x2.72
24	2.1599.415.0	1	snoulder 35x52x1
25	2.1419.027.1	2	circlip 48
26	0.255.3933.0	1	disc
27	2.4019.373.1	1	spring 79.5x61.5x6.5
28	2.0342.305.2	3	screw m 8 p.1.25x20
29	0.255.3919.0/10	1	plate
30	0.000.0000.1	1	not serviceable
31	2.1532.505.0	1	'o' ring 77.50x2.62
32	0.014.0360.2	1	disc
33	2.1532.150.0	1	'o' ring 61.60x2.62
34	2.1599.416.0	1	snoulder 50x58x1
35	2.1569.109.0	3	gasket 46x50x2
36	0.013.8983.0	2	disc
37	0.255.3926.0/10	1	cover
38	0.255.3938.0/40	1	piston
39	2.1539.064.0	1	'o' ring 120.33x2.62
40	0.013.9453.0	3	disc
41	0.255.3970.2	3	disc
42	0.255.3969.0/10	1	disc
43	2.1419.035.1	1	circlip 127
44	0.255.3922.0/40	1	piston D 84

Section: PARTS
P.T.O. - CLUTCH-PARTS

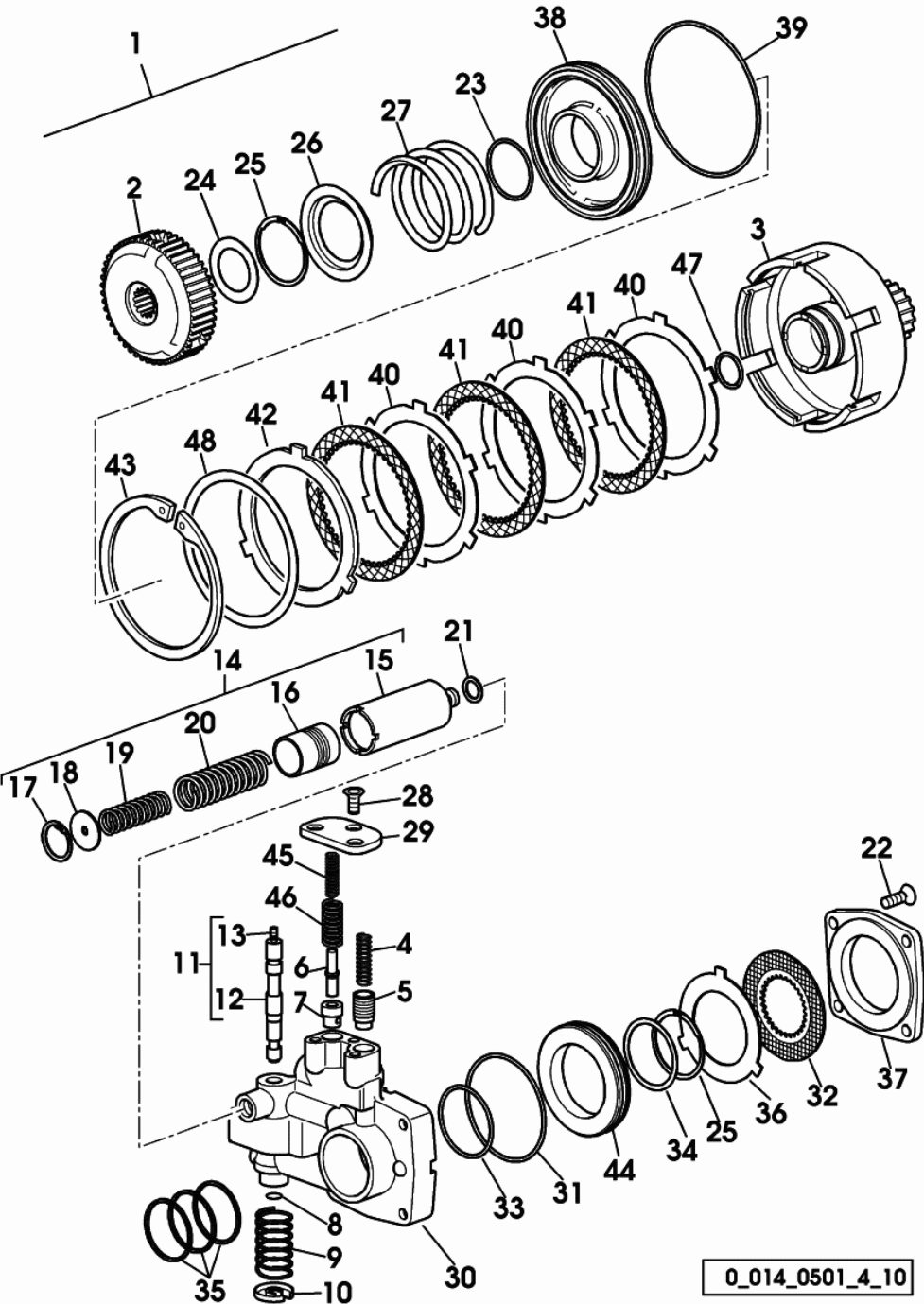


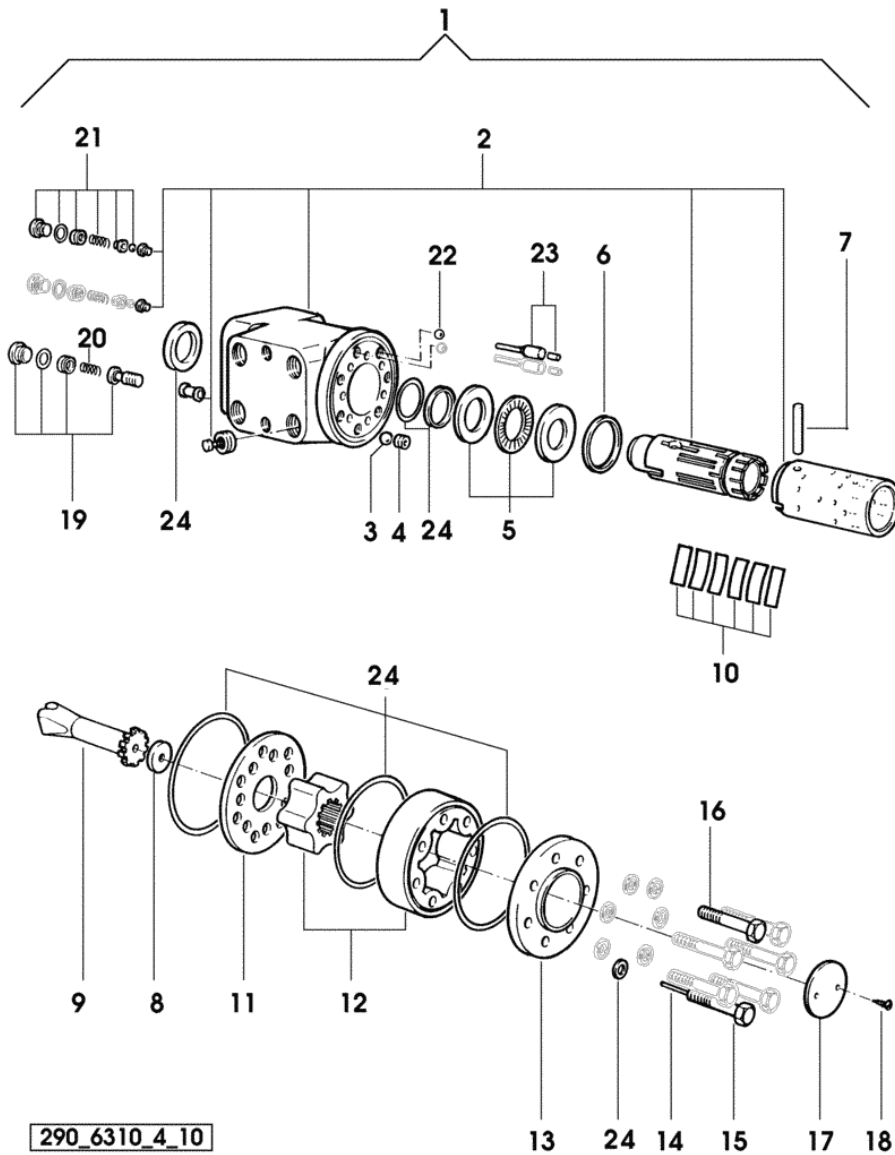
Fig.	Code	QTY	Name
45	2.4019.414.1	1	spring 10.3x33x1.3
46	2.4019.370.1	1	spring 15.4x32.5x2.2
47	2.1530.062.0	1	'o' ring 23.81x2.62
48	2.1599.498.0	1	snoulder 110x126.5x1.2

0_014_0501_4_10

Section: PARTS

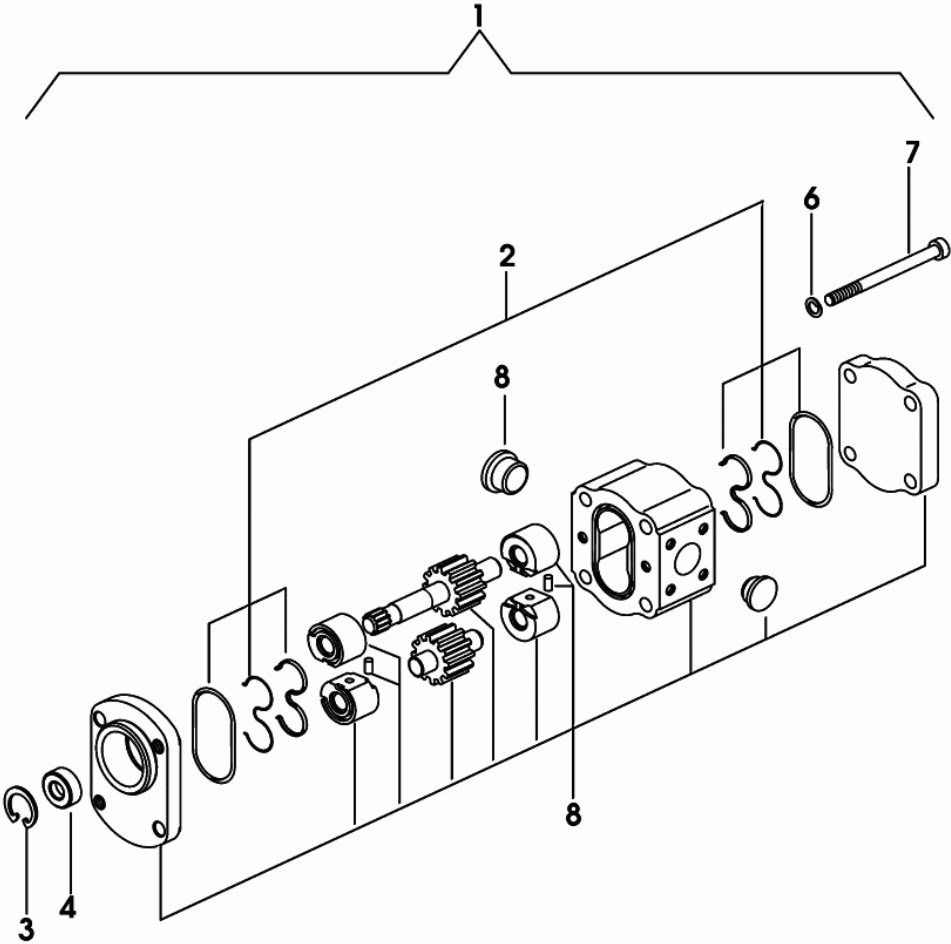
HYDR. STEERING DISTRIBUTOR PARTS

Fig.	Code	QTY	Name
1	0.290.6310.4/10	1	hydrosteering DANFOSS - 80 CC
2	0.000.0000.1	0	not serviceable
3	0.009.4012.1	1	ball mm 8.5
4	0.009.4014.1	1	plug
5	0.193.6378.0	1	roller bearing
6	0.009.4015.1	1	ring
7	0.009.4016.1	1	pin
8	0.009.4017.1	1	spacer
9	0.000.0000.1	0	not serviceable
10	0.009.4021.1	1	spring
11	0.009.4022.1	1	plate
12	0.009.4872.0	1	rotor w = 10.4
13	0.009.4024.1	1	cover
14	0.009.4025.1	1	pin
15	0.009.4026.1	1	screw L = 63
16	0.009.4027.1	6	screw L = 35
17	0.009.4028.1	1	small disc
18	0.009.4029.1	2	screw
19	0.009.4030.1	1	valve
20	0.290.6374.1	1	spring 110-155 bar
21	0.193.6380.4	2	valve
22	0.009.4019.1	2	ball mm 3
23	0.009.4020.1	2	pin
24	0.003.5059.3	1	seal ring kit



Section: PARTS
HYDRAULIC PUMP PARTS

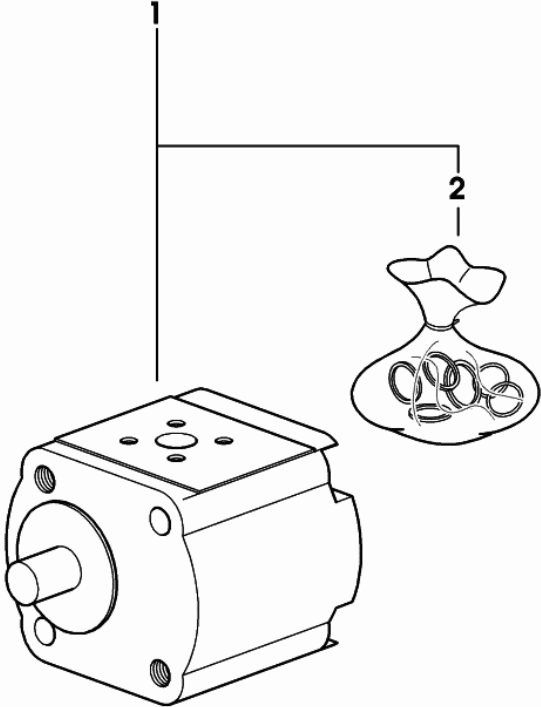
Fig.	Code	QTY	Name
1	2.4539.510.0	1	hydraulic pump - BOSCH -
2	2.4529.330.1/10	1	seal ring kit
3	2.1411.012.1	1	circlip 30x1.2
4	0.009.4046.1	1	'o' ring
6	0.010.3145.0	2	spring washer
7	0.010.3565.2	2	screw
8	0.000.0000.1	0	not serviceable



2_4539_510_0

Section: PARTS
HYDRAULIC PUMP

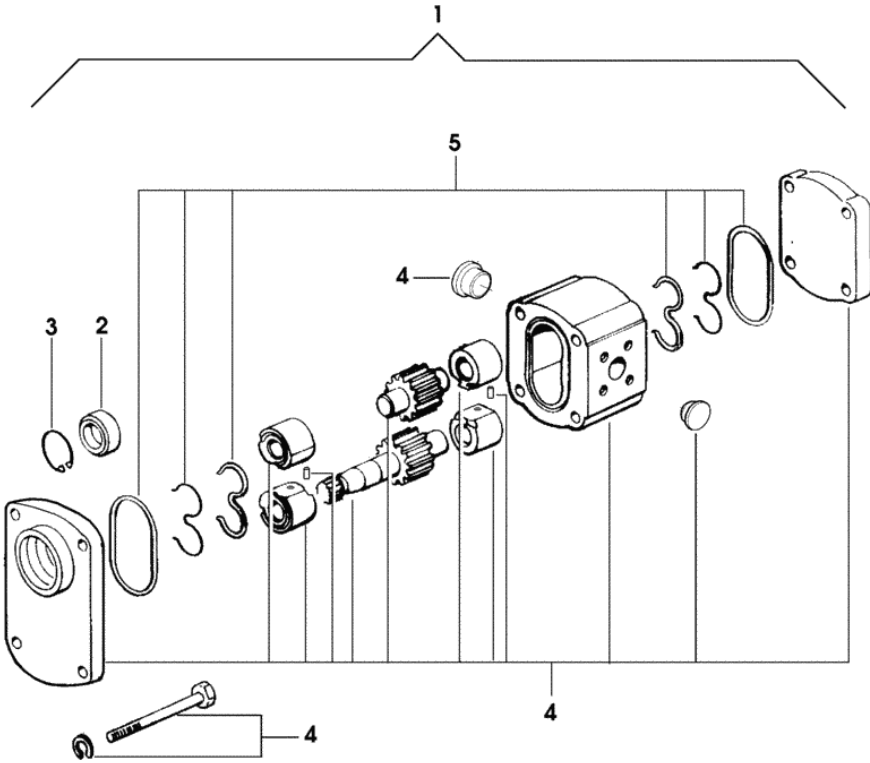
Fig.	Code	QTY	Name
1	2.4539.520.0	1	hydraulic pump - SAUER -
2	0.009.4128.1	1	seal ring kit



2_4539_520_0

Section: PARTS
PUMP-COMPONENTS

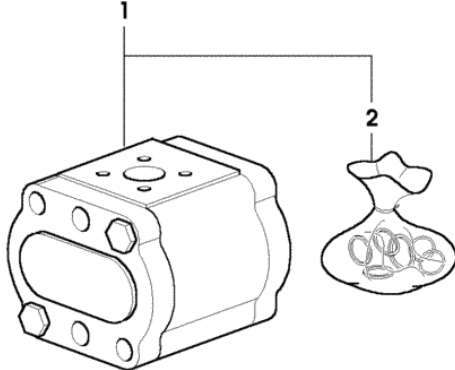
Fig.	Code	QTY	Name
1	2.4539.480.0	1	oil pump - BOSCH - 14cc
2	0.009.4046.1	1	'o' ring
3	2.1411.012.1	1	circlip 30x1.2
4	0.000.0000.1	0	not serviceable
5	2.4529.330.1/10	1	seal ring kit



2_4539_480_0

Section: PARTS
PUMP-COMPONENTS

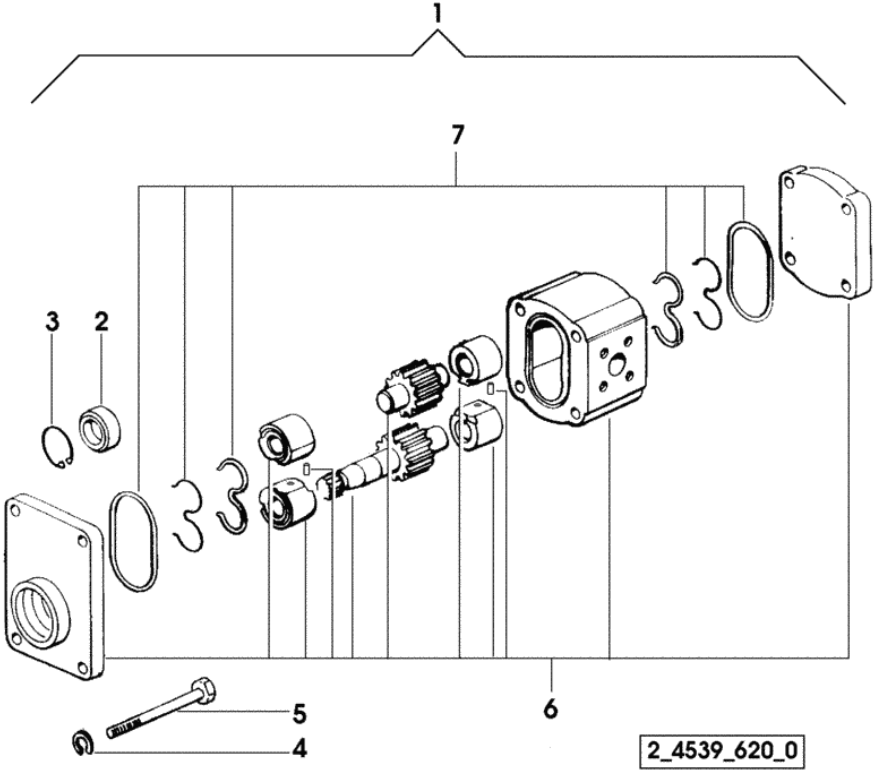
Fig.	Code	QTY	Name
1	2.4539.490.0	1	oil pump - SAUER - 14cc
2	0.009.4128.1	1	seal ring kit



2_4539_490_0

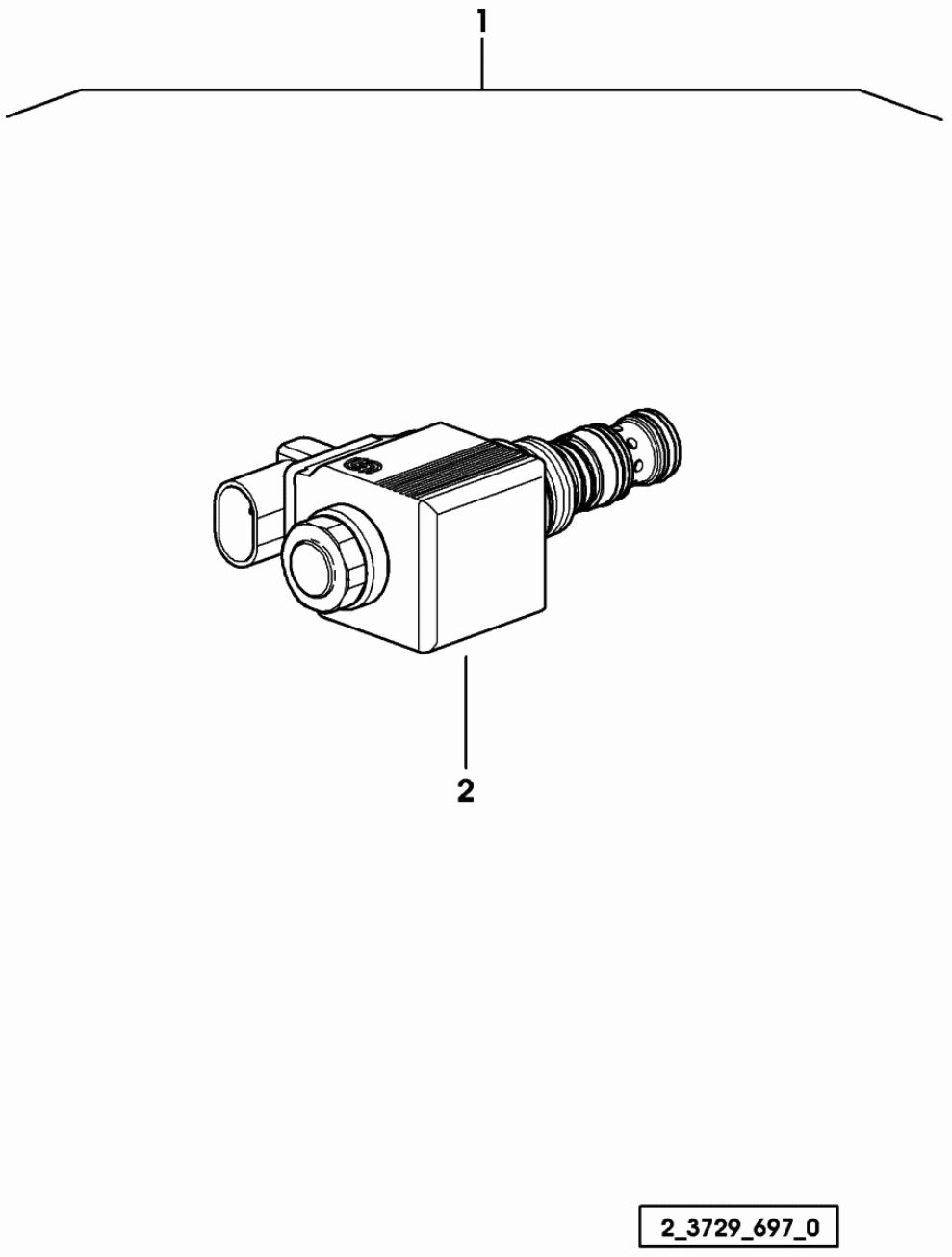
Section: PARTS
HYDRAULIC PUMP PARTS

Fig.	Code	QTY	Name
1	2.4539.620.0	1	pump 22.5 cc - BOSCH
2	0.009.4046.1	1	'o' ring
3	2.1411.012.1	1	circlip 30x1.2
4	0.000.0000.1	0	not serviceable
5	0.000.0000.1	0	not serviceable
6	0.000.0000.1	0	not serviceable
7	2.4529.330.1/10	1	seal ring kit



Section: PARTS
SOLENOID VALVE

Fig.	Code	QTY	Name
1	2.3729.697.0	1	electro valve 13V - 20W
2	0.010.2831.1	1	coil 13V - 20W



Section: PARTS
WATER COOLER

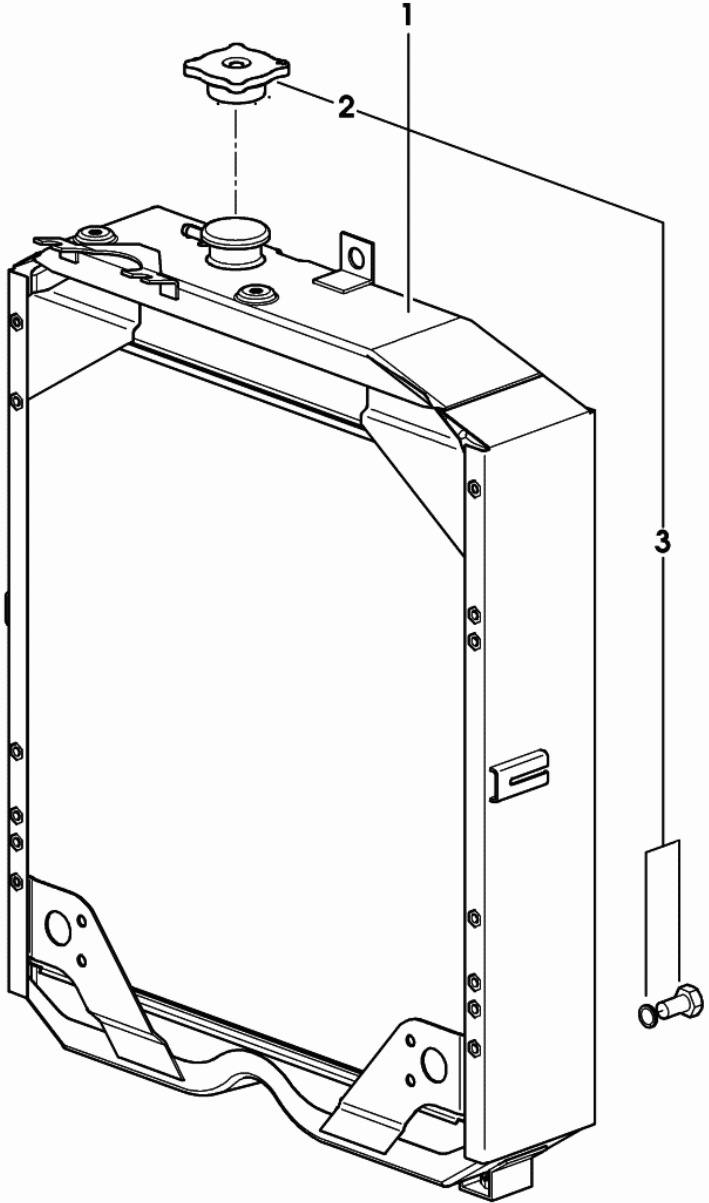


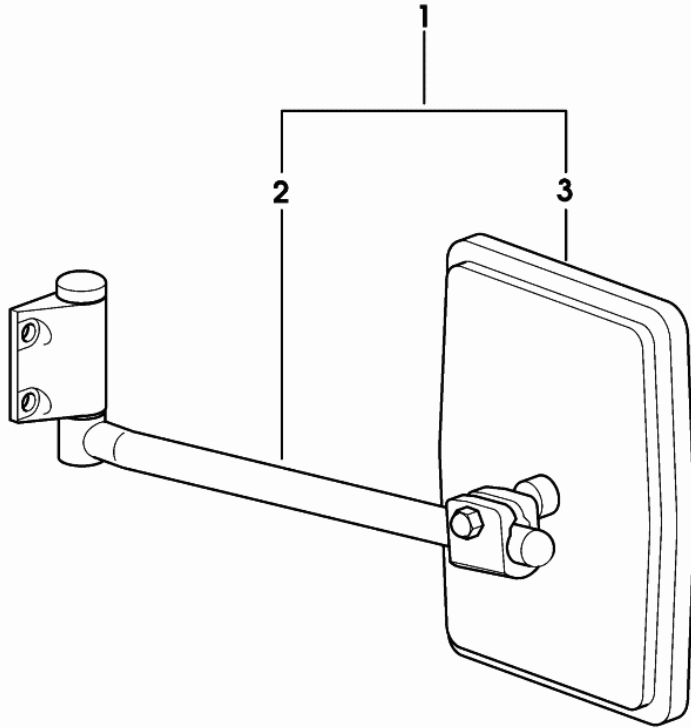
Fig.	Code	QTY	Name
1	0.013.5652.4/40	1	water cooler
2	0.900.0065.5	1	plug
3	0.000.0000.1	0	not serviceable

0_013_5652_4_40

Section: PARTS

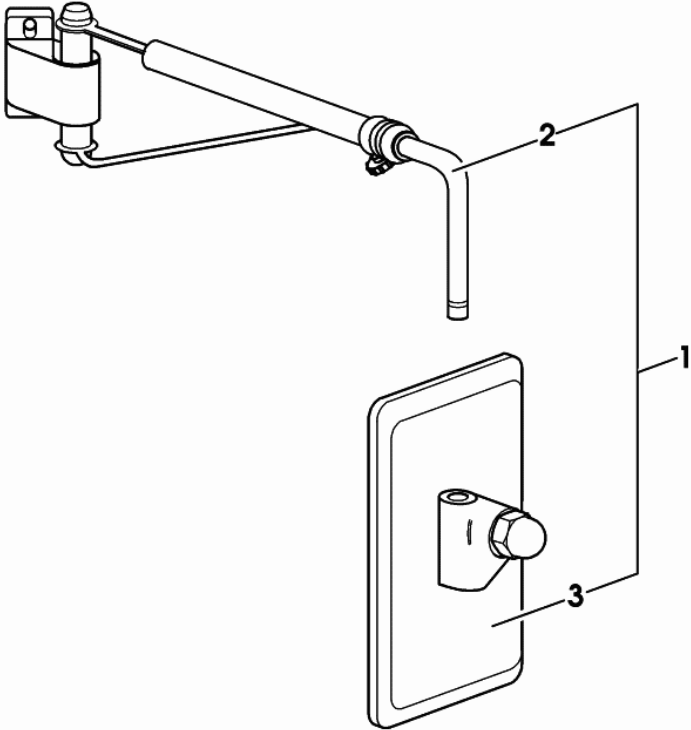
REARVIEW MIRROR

Fig.	Code	QTY	Name
1	0.9234.147.4/10	1	rear view mirror dx
2	0.010.3564.2	1	rod
3	0.9233.183.3	1	rear view mirror

**0.9234.147.4/10**

Section: PARTS
REARVIEW MIRROR

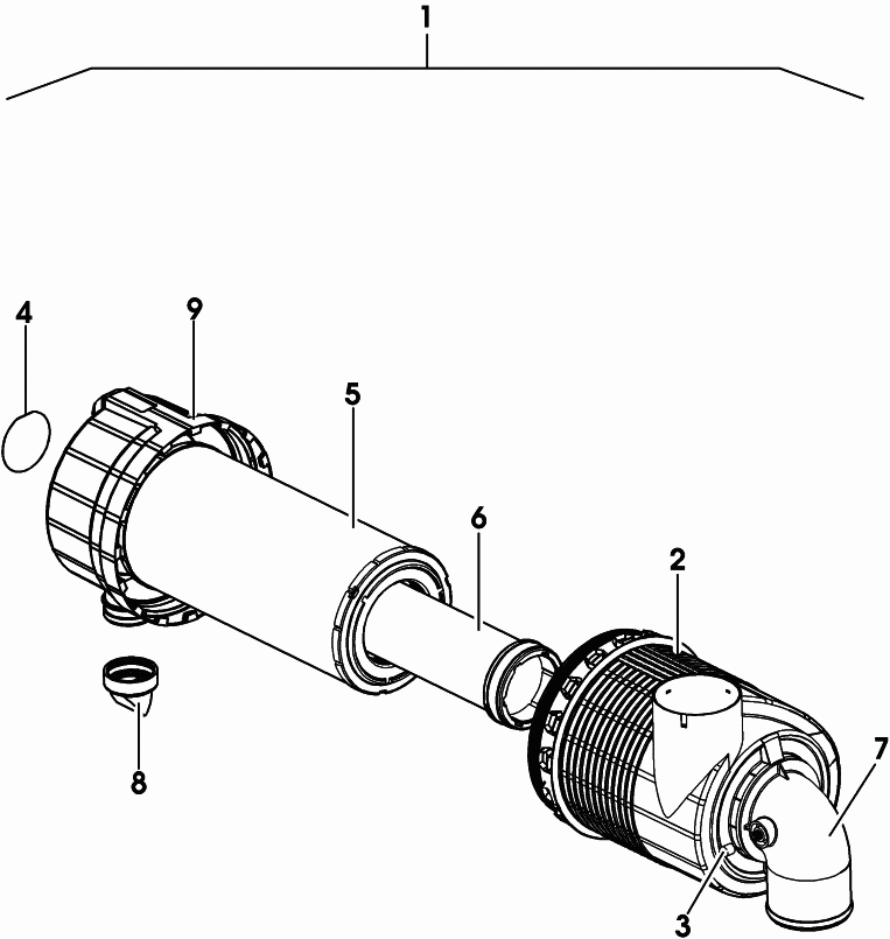
Fig.	Code	QTY	Name
1	0.010.1604.4/40	1	rear view mirror sx
2	0.010.3096.2	1	rod
3	0.9233.183.3	1	rear view mirror



0_010_1604_4_40

Section: PARTS
AIR FILTER

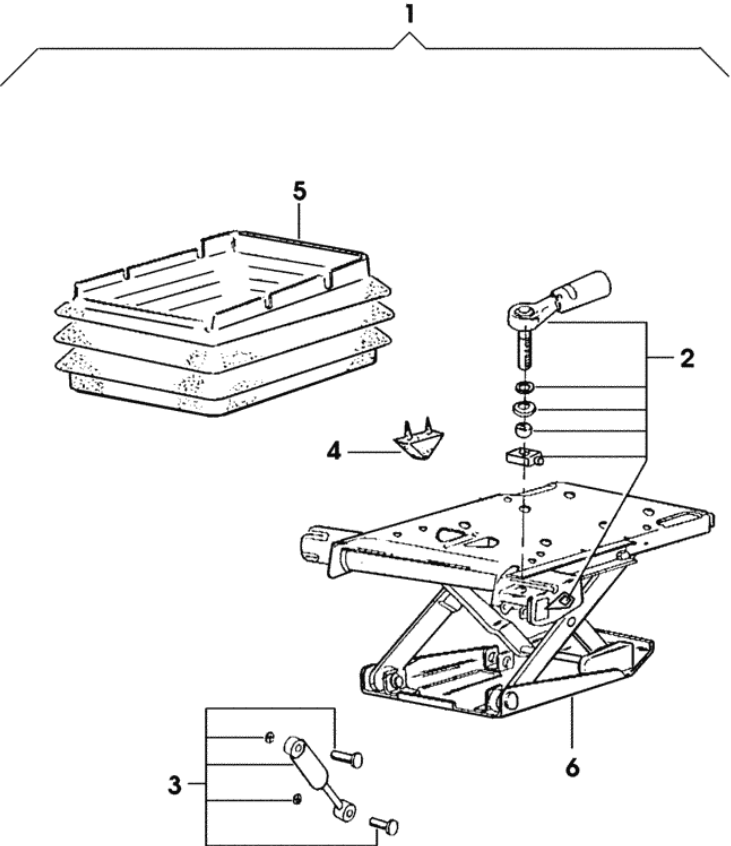
Fig.	Code	QTY	Name
1	2.4249.715.0	1	air filter
2	0.900.0300.7	1	body
3	0.900.0300.8	1	cap
4	0.900.0300.9	1	plate
5	0.900.0301.0	1	air filter element
6	0.900.0301.1	1	air filter element
7	0.900.0301.2	1	tube
8	0.009.4109.0	1	valve
9	0.900.0301.3	1	cover



2_4249_715_0

Section: PARTS
SEAT SPRINGING

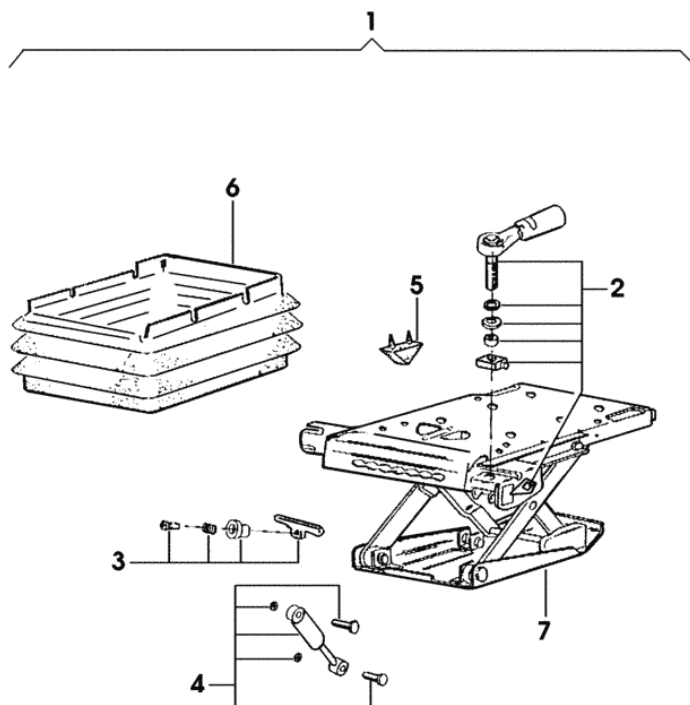
Fig.	Code	QTY	Name
1	0.010.5357.4	1	seat springs
2	0.010.2228.0	1	handle
3	0.010.2228.2	1	shoch.absorber
4	0.010.2229.0	1	stopper
5	0.010.2229.1	1	guard
6	0.000.0000.1	0	not serviceable



010_5357_4

Section: PARTS
SEAT SPRINGING

Fig.	Code	QTY	Name
1	0.010.5356.4	1	seat springs
2	0.010.2228.0	1	handle
3	0.010.2228.1	1	accessories
4	0.010.2228.2	1	shoch.absorber
5	0.010.2229.0	1	stopper
6	0.010.2229.1	1	guard
7	0.000.0000.1	0	not serviceable



010_5356_4

Section: PARTS

SEAT-COMPONENTS

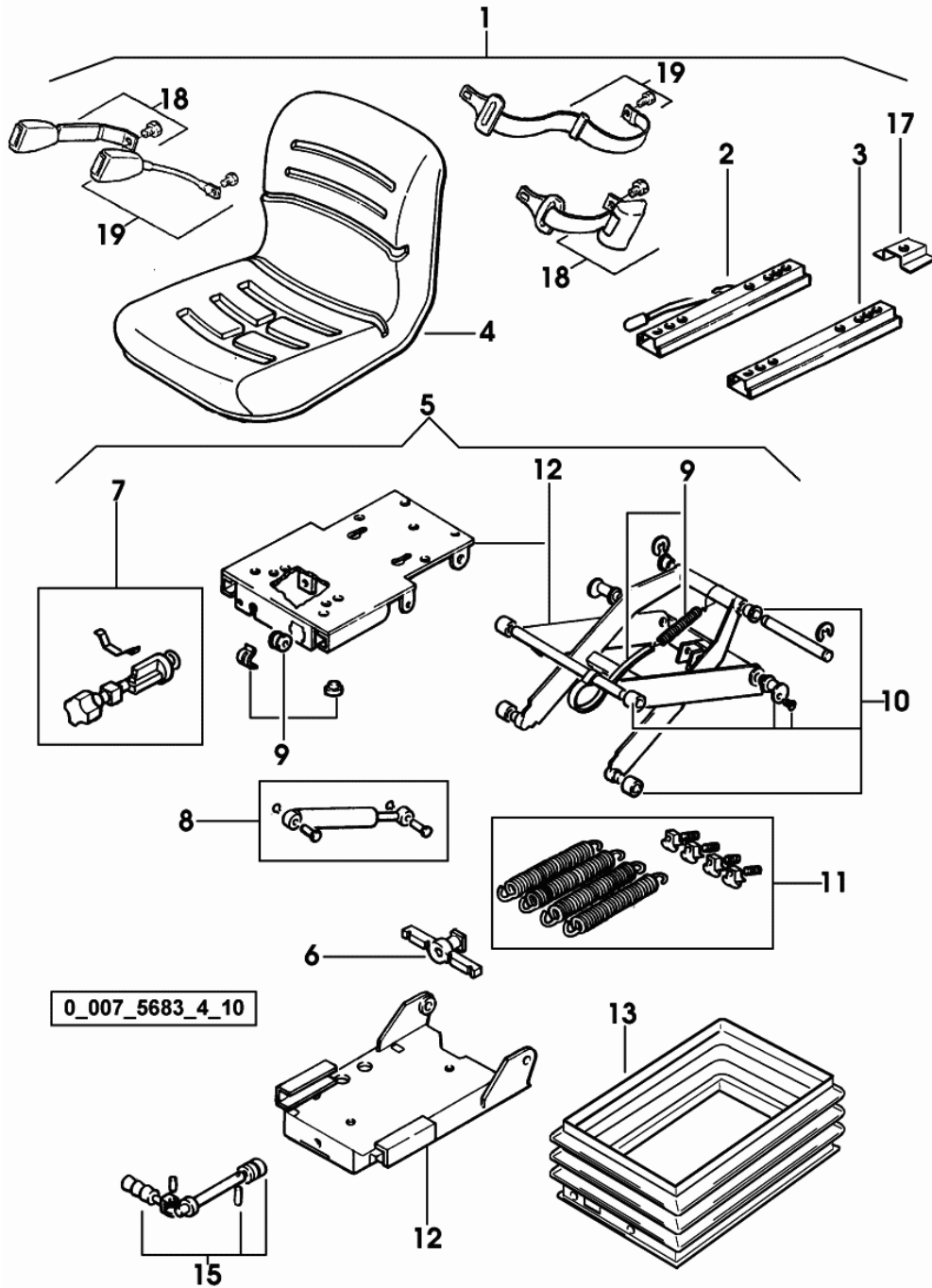
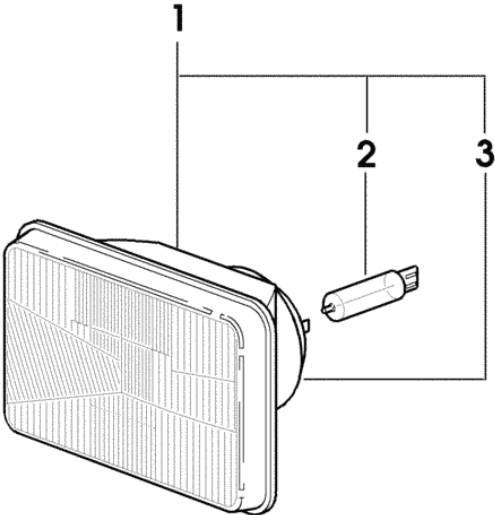


Fig.	Code	QTY	Name
1	0.007.5683.4/10	1	seat GRAMMER MSG 83/7L
2	0.009.4001.1	1	guide
3	0.009.4002.1	1	guide
4	0.009.4013.1	1	seat
5	0.008.3584.3	1	seat springs
6	0.009.4495.1	1	bracket
7	0.009.4008.1	1	knob
8	0.009.4009.1	1	shoch.absorber
9	0.009.4010.1	1	regulator
10	0.009.4011.1	1	pin
11	0.257.7561.1	1	guide
12	0.000.0000.1	0	not serviceable
13	0.009.4147.1	1	guard
15	0.010.2964.0	1	register
17	0.009.4000.1	1	bracket
18	0.012.6587.4	1	safety belt
19	0.012.6586.4	1	safety belt

Section: PARTS
HEADLAMP COMPONENTS

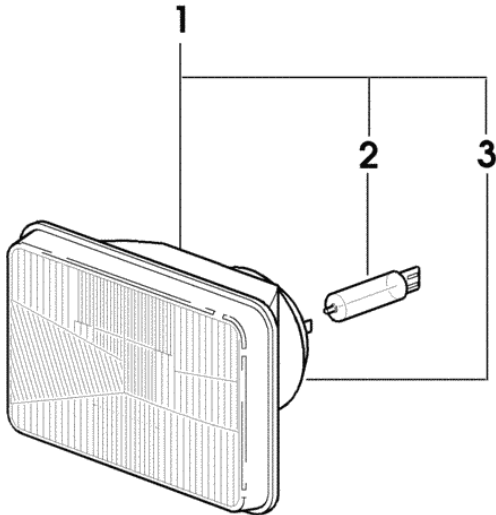
Fig.	Code	QTY	Name
1	2.8029.770.0/30	1	lamp
2	0.010.2251.0	1	lamp 60/55W - HALOGEN -
3	0.009.4107.0	1	guard



2_8029_770_0_30

Section: PARTS
HEADLAMP COMPONENTS

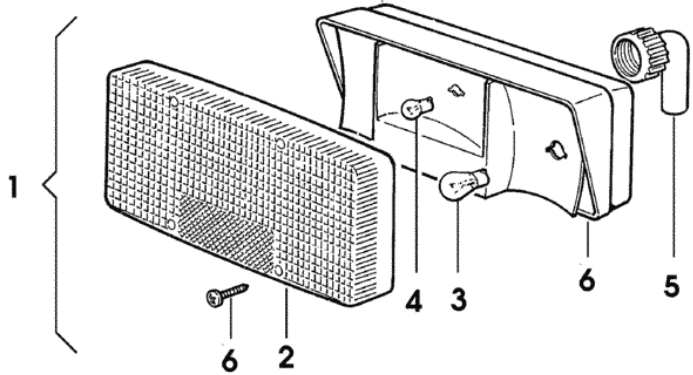
Fig.	Code	QTY	Name
1	2.8029.760.0/30	1	lamp
2	0.010.2251.0	1	lamp 60/55W - HALOGEN -
3	0.009.4107.0	1	guard



2_8029_760_0_30

Section: PARTS
HEADLAMP COMPONENTS

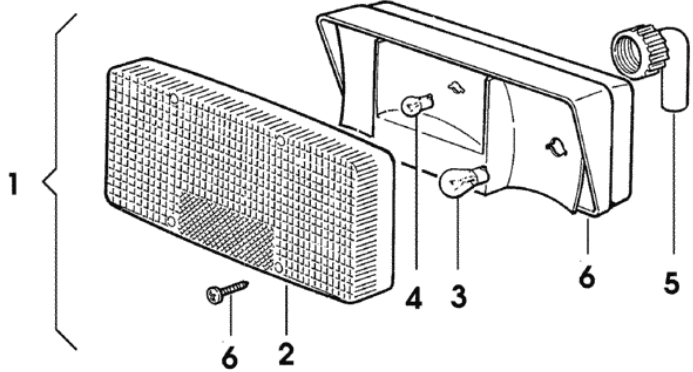
Fig.	Code	QTY	Name
1	2.8059.090.0	1	side lamp dx
2	2.8059.090.1	1	light body dx
3	2.8313.001.0	2	lamp 12V 21W
4	2.8319.004.0	1	lamp
5	2.8019.480.2	1	cap
6	0.000.0000.1	0	not serviceable



2_8059_090_0

Section: PARTS
HEADLAMP COMPONENTS

Fig.	Code	QTY	Name
1	2.8059.080.0	1	side lamp sx
2	2.8059.080.1	1	light body sx
3	2.8313.001.0	2	lamp 12V 21W
4	2.8319.004.0	1	lamp
5	2.8019.480.2	1	cap
6	0.000.0000.1	0	not serviceable



2_8059_080_0

Section: PARTS
HEADLAMP COMPONENTS

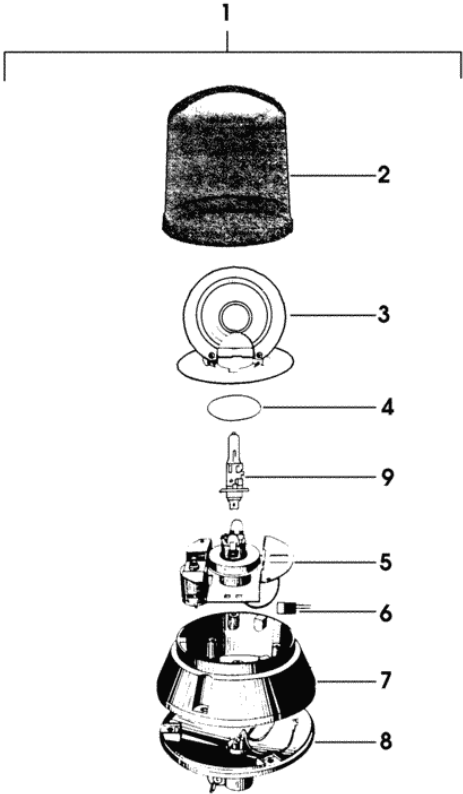
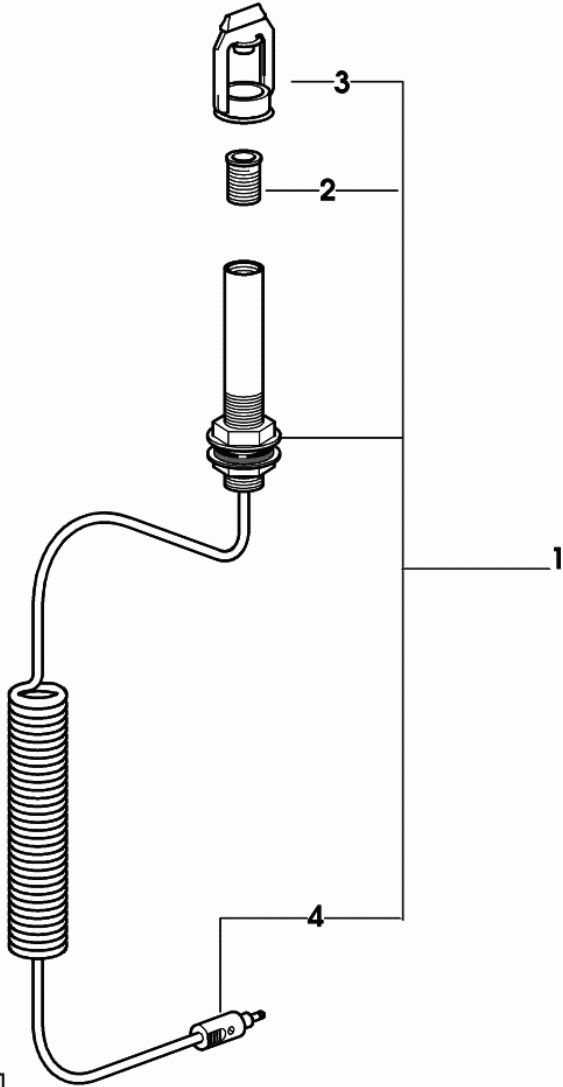


Fig.	Code	QTY	Name
1	0.009.6758.4/10	1	headlight
2	0.010.2846.0	1	light body
3	0.010.2846.1	1	headlamp reflector
4	0.010.2846.2	1	ring
5	0.010.2847.0	1	support
6	0.010.2847.1	1	cab.terminals
7	0.010.2847.2	1	frame
8	0.010.2848.0	1	support
9	0.010.2848.1	1	lamp 12V-55W-HALOGEN

Section: PARTS
FLASHING LIGHT SUPPORT

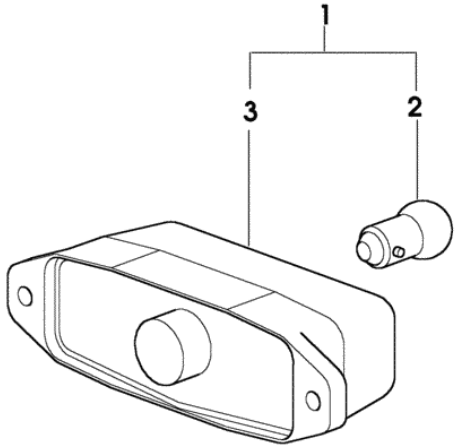
Fig.	Code	QTY	Name
1	0.011.7840.4	1	support
2	0.010.3304.0	1	coupling
3	0.009.6650.0	1	cap
4	0.010.3304.2	1	piston pin



0_011_7840_4

Section: PARTS
HEADLAMP COMPONENTS

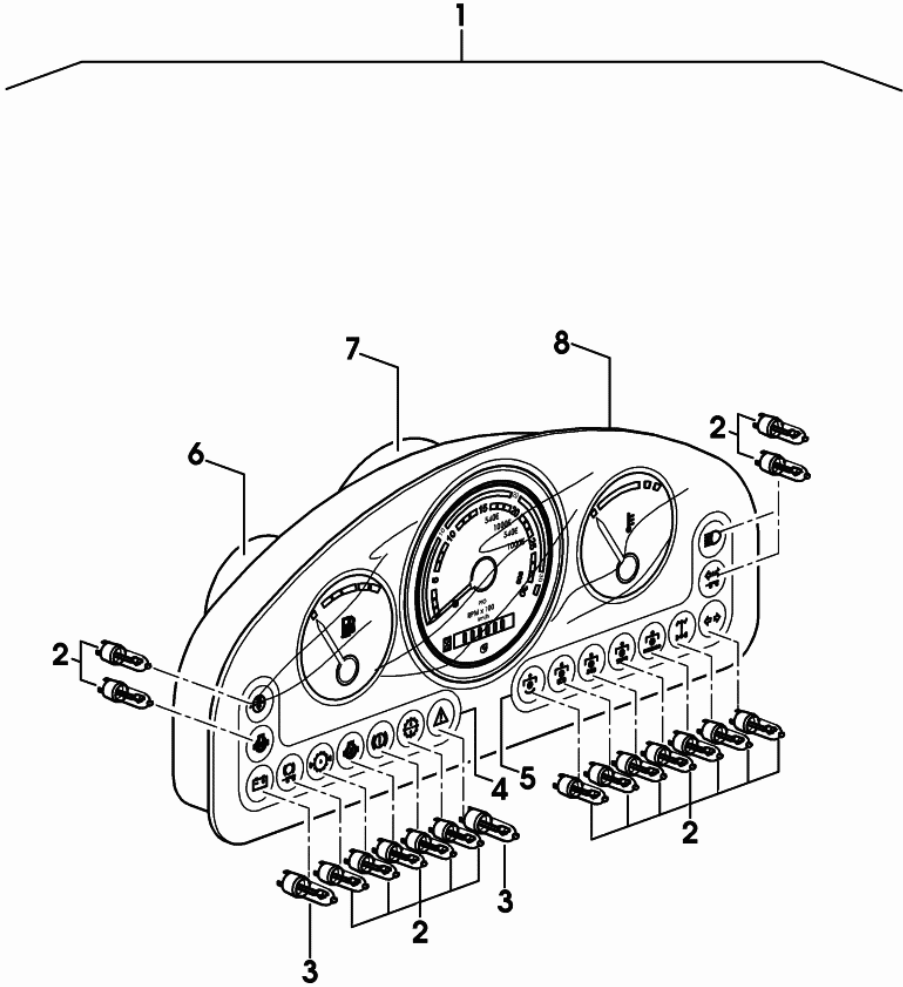
Fig.	Code	QTY	Name
1	2.8029.240.0/10	1	side lamp
2	2.8313.005.0	1	lamp 12V-5W
3	0.000.0000.1	0	not serviceable



2_8029_240_0_10

Section: PARTS
ELECTRIC REV-HOUR RECORDER TACHOMETER

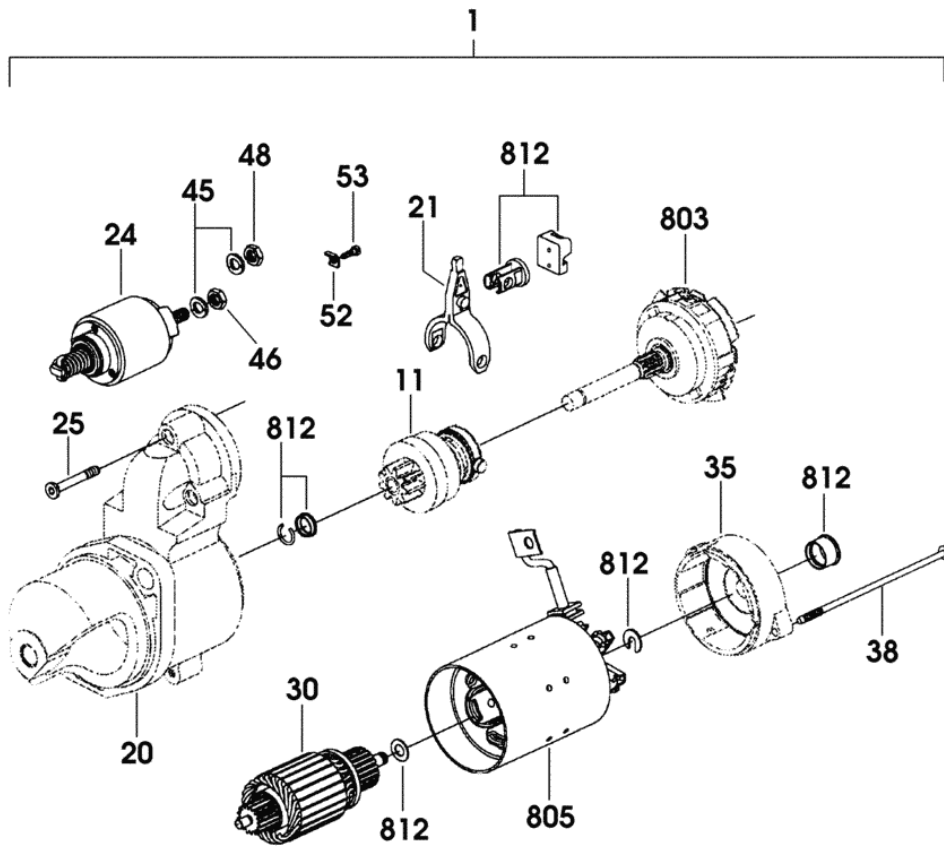
Fig.	Code	QTY	Name
1	2.8339.073.0	1	multimeter
2	0.010.3604.1	16	lamp 12V - 1W
3	0.900.0387.2	2	lamp 12V - 3W
4	0.900.0386.5	1	instrument holder dx
5	0.900.0386.6	1	instrument holder sx
6	0.900.0386.7	1	level indicator
7	0.900.0386.9	1	multimeter
8	0.900.0386.8	1	tempe guage



2_8339_073_0

Section: PARTS
STARTER PARTS

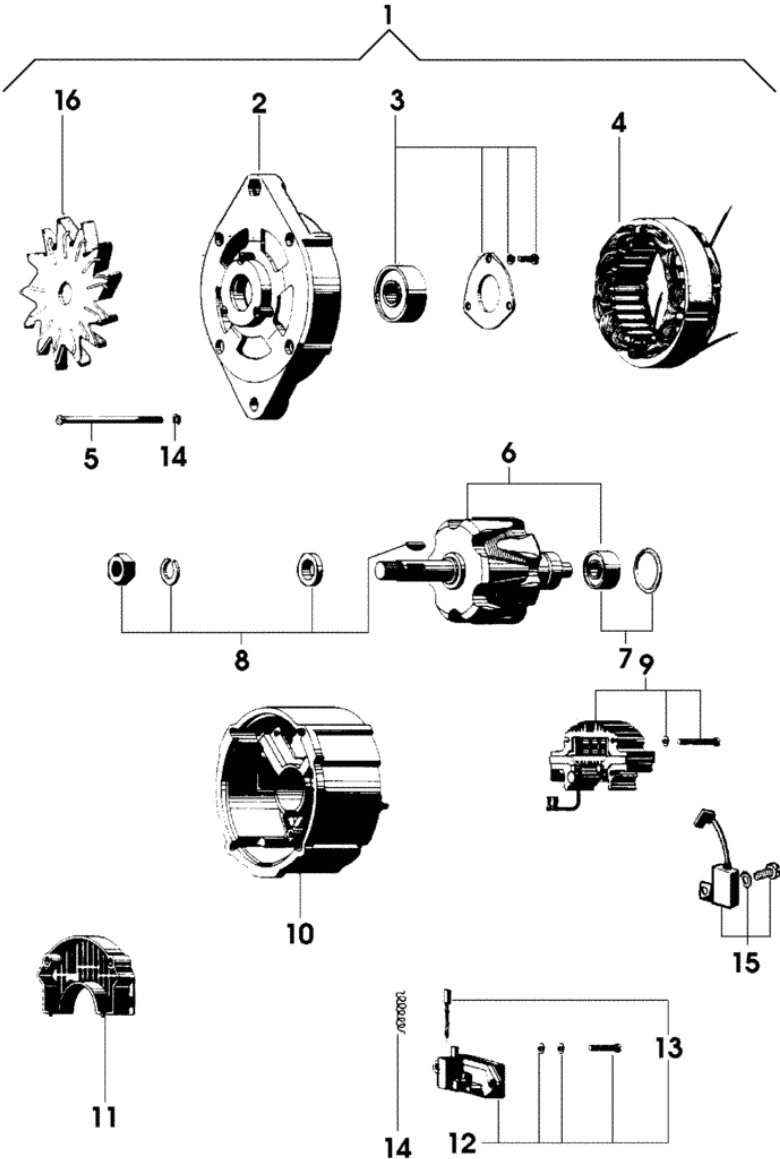
Fig.	Code	QTY	Name
1	2.9619.390.0	1	starter motor BOSCH 3 KW
11	0.010.3566.1	1	pinion
20	0.010.3566.0	1	support
21	0.010.3566.2	1	lever
24	0.010.3567.0	1	switch
25	0.010.3567.1	3	screw
30	0.010.3567.2	1	armature
35	0.010.3568.0	1	support
38	0.010.3568.1	2	screw
45	0.000.0000.1	-	not serviceable
46	0.000.0000.1	0	not serviceable
48	0.000.0000.1	0	not serviceable
52	2.9619.090.6	1	small plate
53	0.010.3569.0	1	screw
803	0.010.3569.1	1	gear
805	0.010.3569.2	1	brush holder
812	0.010.3570.0	1	accessories



2_9619_390_0

Section: PARTS
ALTERNATOR PARTS

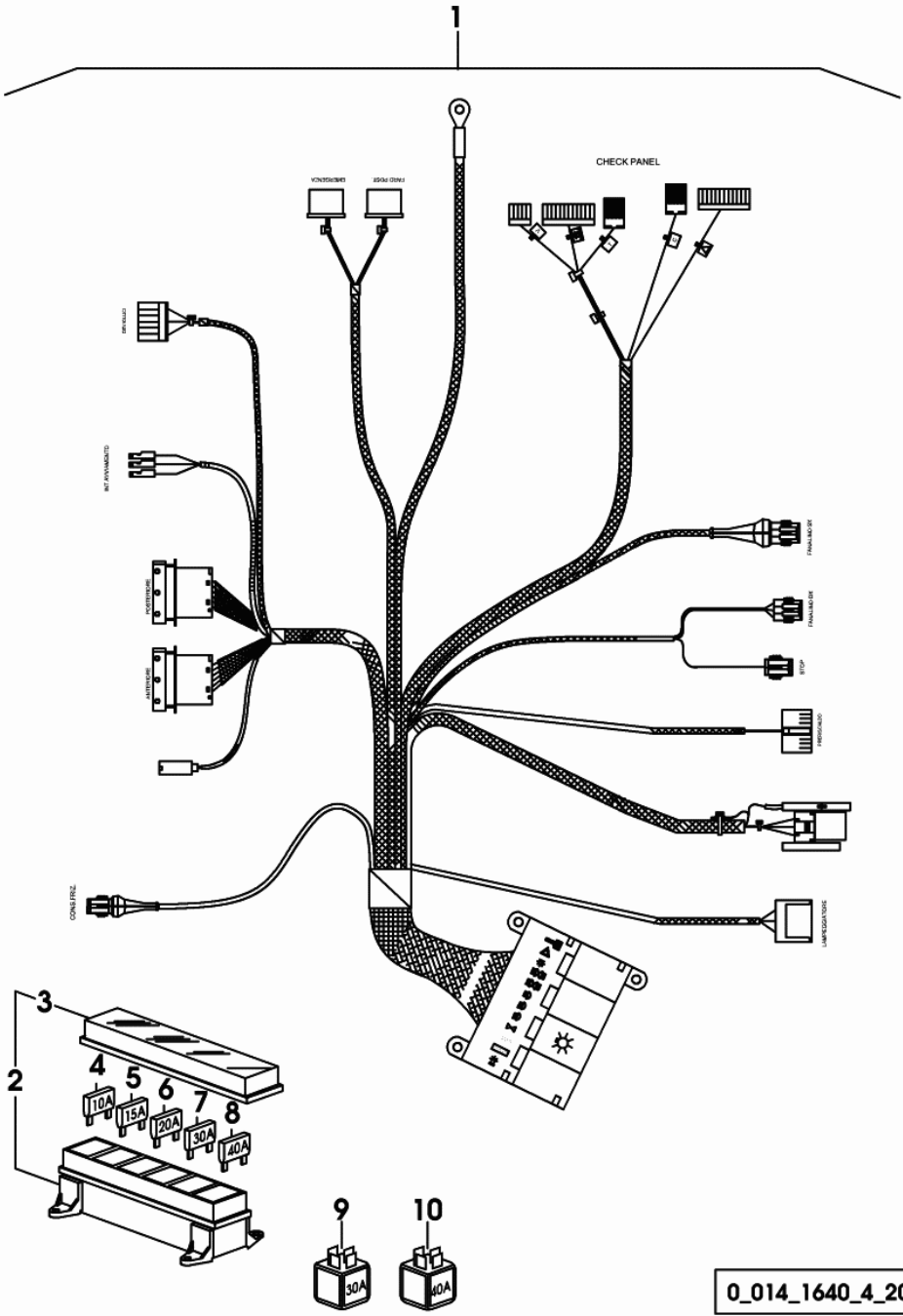
Fig.	Code	QTY	Name
1	2.9439.420.0/10	1	alternator 14V - 65A - ISKRA
2	0.009.4331.1	1	cover
3	0.010.2066.1	1	bearing
4	0.010.2066.2	1	field winding
5	0.010.2231.0	4	screw
6	0.010.2084.0	1	rotor
7	0.010.2067.2	1	bearing
8	0.010.2068.0	1	repair seal set
9	0.009.4881.0	1	rectifier
10	0.010.2068.1	1	cover
11	0.010.2231.1	1	guard
12	0.009.4335.0	1	regulator
13	0.009.4335.1	2	brush set
14	0.000.0000.1	0	not serviceable
15	0.010.2068.2	1	condenser
16	0.009.4331.0	1	rotor blade



2_9439_420_0_10

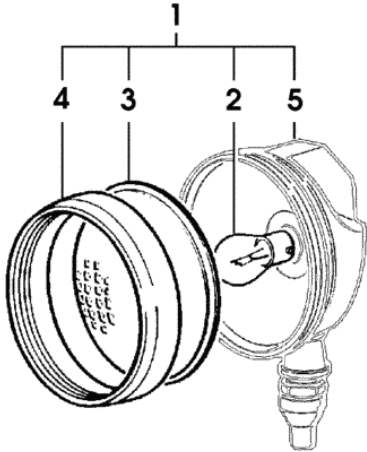
Section: PARTS
ELECTRICAL SYSTEM

Fig.	Code	QTY	Name
1	0.014.1640.4/20	1	electrical system
2	0.000.0000.1	0	not serviceable
3	0.900.0382.1	1	cover
4	0.010.2087.2	8	fuse 10A
5	0.010.2088.0	2	fuse 15A
6	0.010.2088.1	1	fuse 20A
7	0.010.2088.2	1	fuse 30A
8	0.010.2089.1	1	fuse 40A
9	0.010.2089.2	3	relay 12V - 30A
10	2.7659.101.0	1	relay 12V-40A



Section: PARTS
HEADLAMP COMPONENTS

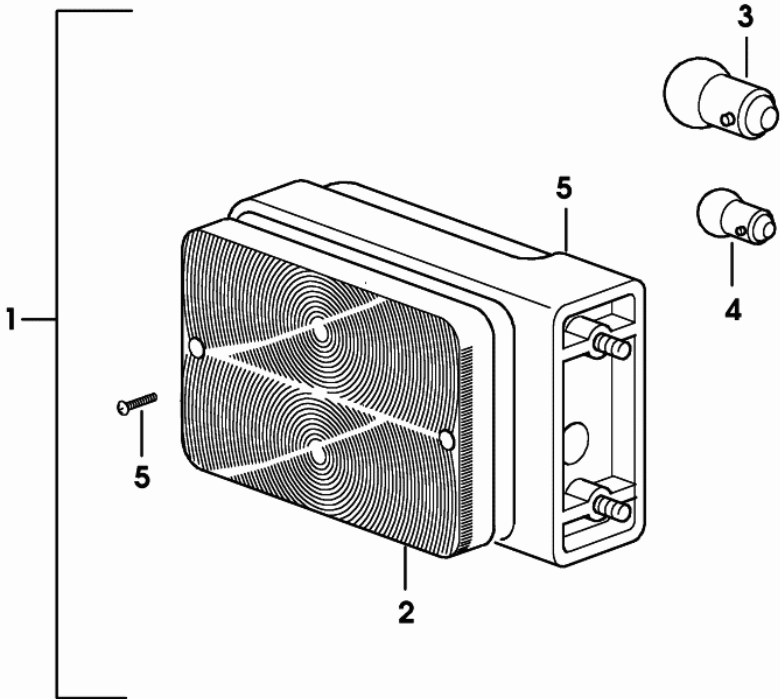
Fig.	Code	QTY	Name
1	2.8029.300.0	1	headlight
2	2.8210.004.0	1	lamp 12V-35W
3	2.8029.120.1	1	window glass
4	2.8029.120.2	1	gasket
5	0.000.0000.1	0	not serviceable



2_8029_300_0

Section: PARTS
HEADLAMP COMPONENTS

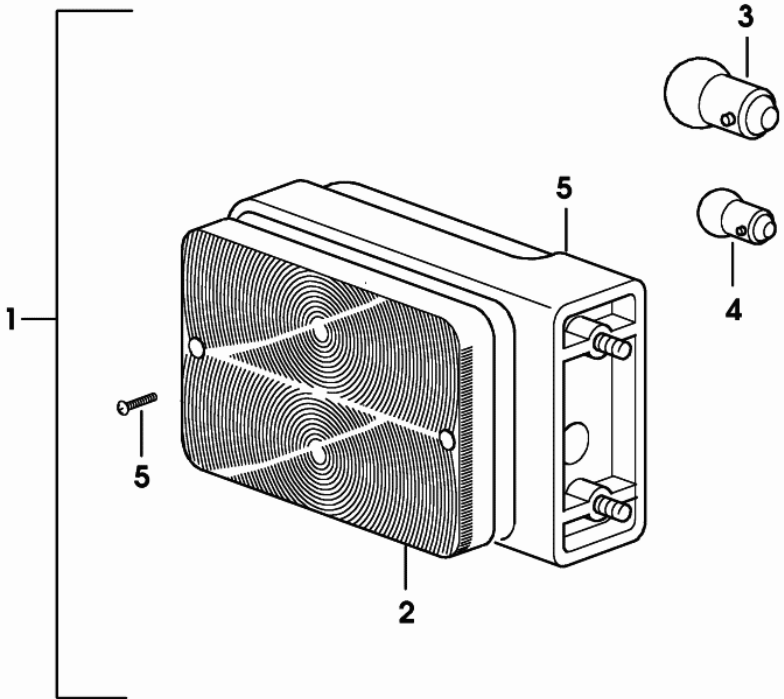
Fig.	Code	QTY	Name
1	2.8019.960.0	1	side lamp sx
2	2.8019.200.1	1	glass
3	2.8313.001.0	1	lamp 12V 21W
4	2.8311.005.0	1	lamp 12V-5W
5	0.000.0000.1	0	not serviceable



2_8019_960_0

Section: PARTS
HEADLAMP COMPONENTS

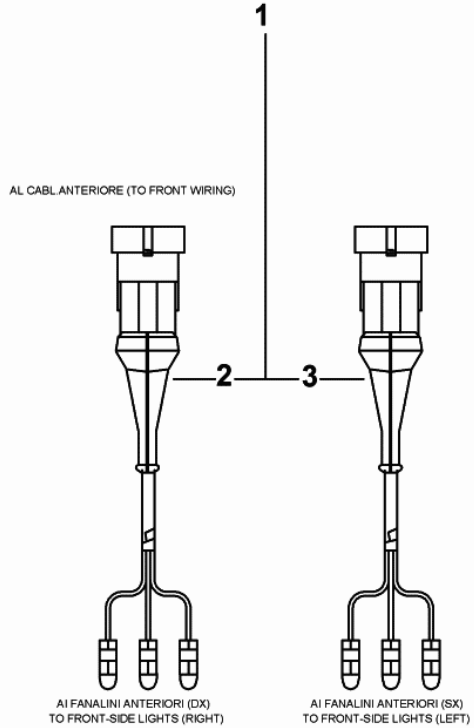
Fig.	Code	QTY	Name
1	2.8019.970.0	1	side lamp dx
2	2.8019.200.1	1	glass
3	2.8313.001.0	1	lamp 12V 21W
4	2.8311.005.0	1	lamp 12V-5W
5	0.000.0000.1	0	not serviceable



2_8019_970_0

Section: PARTS
ELECTRICAL SYSTEM

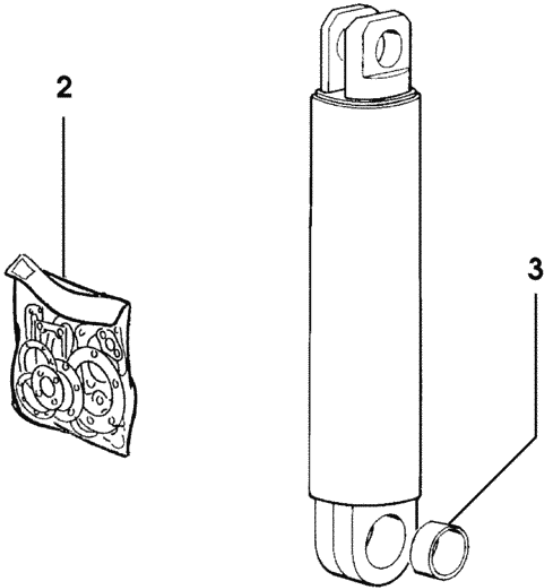
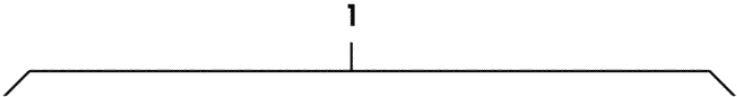
Fig.	Code	QTY	Name
1	0.014.1643.4	1	wire
2	0.900.0527.3	1	wire
3	0.900.0527.4	1	wire



0_014_1643_4

Section: PARTS
CYLINDER PARTS

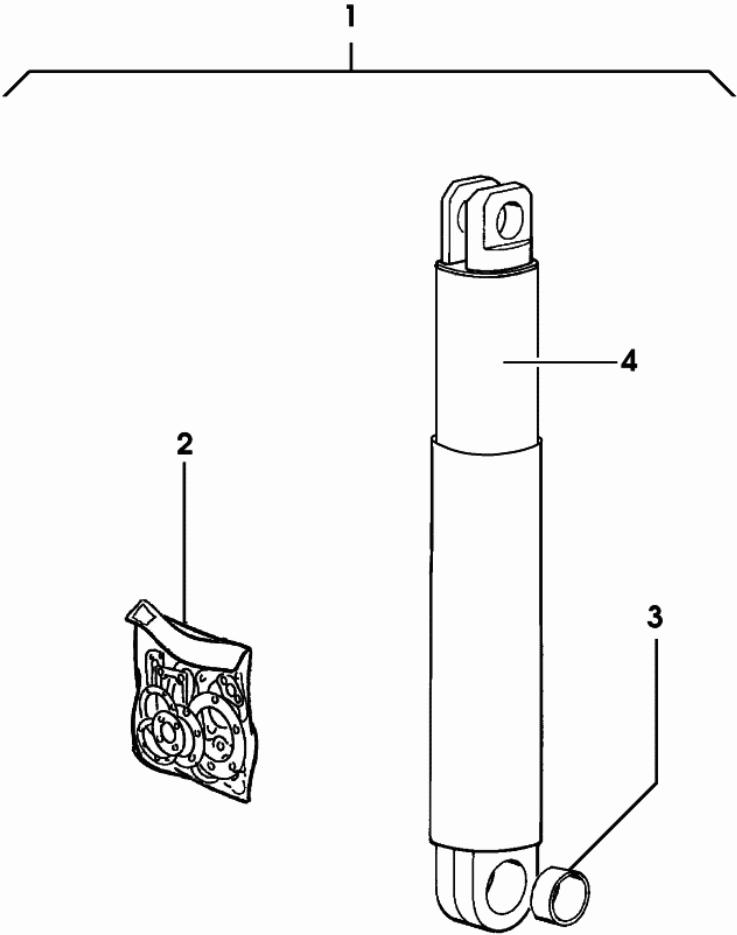
Fig.	Code	QTY	Name
1	0.9123.330.4/20	1	jack mm 50
2	0.009.4329.2	1	seal ring kit
3	0.009.4485.0	1	bushing



9123_330_4_20

Section: PARTS
CYLINDER PARTS

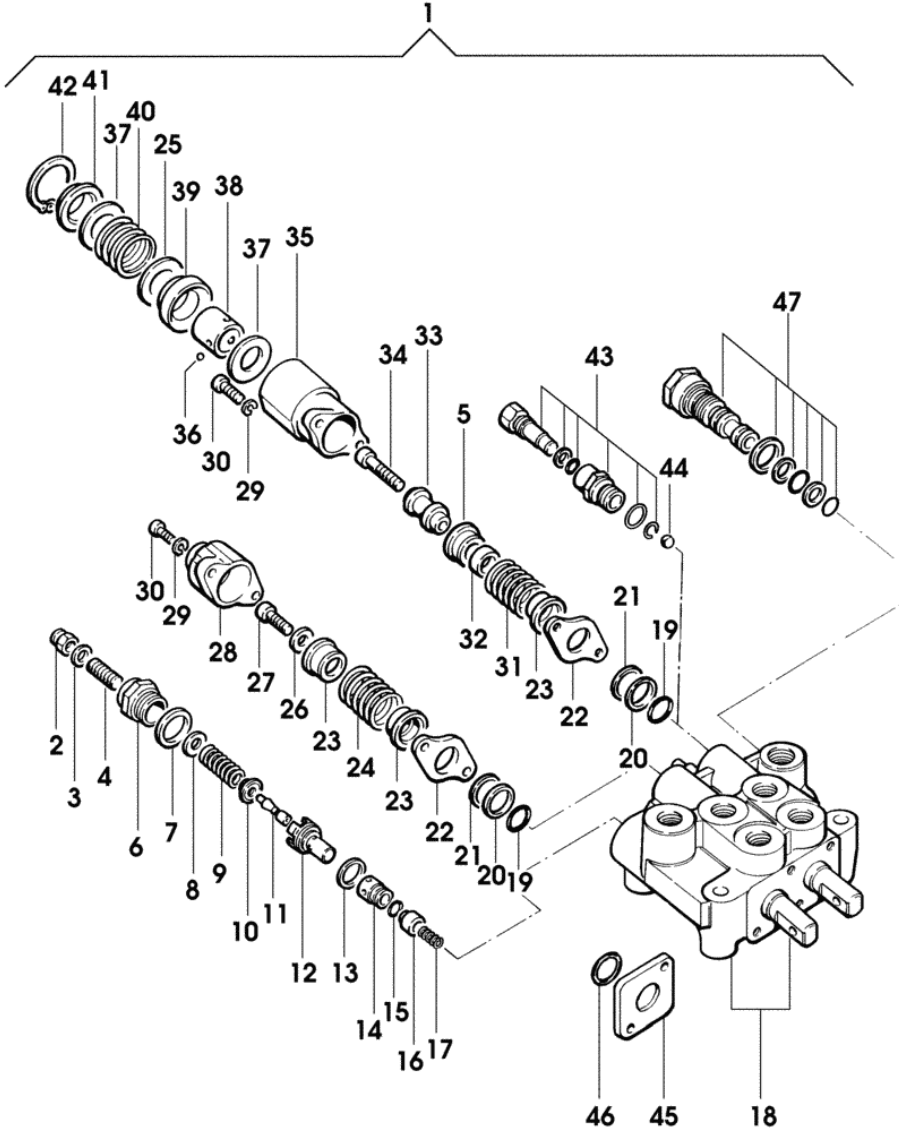
Fig.	Code	QTY	Name
1	0.9123.331.4/20	1	jack mm 70
2	0.009.4330.0	1	seal ring kit
3	0.009.4485.0	1	bushing
4	0.900.0270.4	1	piston



9123_331_4_20

Section: PARTS
HYDRAULIC DISTRIBUTOR-PARTS

Fig.	Code	QTY	Name
1	2.3719.530.0	1	distributor 4 - float
2	0.009.4186.0	1	cap nut m 6
3	0.98282.76.0	1	washer
4	0.009.4460.1	1	register m 6x30
5	0.98281.90.0	1	cup
6	0.009.4460.2	1	plug
7	2.1560.015.0	1	gasket 20.2x24
8	0.9032.081.0	1	washer
9	0.9032.077.0	1	nut m 8
10	0.98282.73.0	1	spacer
11	0.9032.064.0	1	valve seat
12	0.9032.063.0	1	valve seat
13	0.9032.065.0	1	'o' ring
14	0.009.4178.1	1	valve seat
15	2.1530.019.0	1	'o' ring 9.25x1.78
16	0.009.4179.1	1	valve seat
17	0.009.4180.1	1	spring
18	0.000.0000.1	0	not serviceable
19	2.1530.038.0	4	'o' ring 15.54x2.62
20	0.98282.62.0	2	'o' ring
21	0.9032.061.0	2	washer
22	0.9032.058.0	2	shim
23	0.9032.056.0	3	cup
24	0.009.4181.1	1	spring
25	0.009.4186.1	2	shim
26	2.1310.003.2	1	flat washer 7.4x14
27	0.9032.055.0	1	screw m 7x16
28	0.9032.054.0	1	cover
29	2.1470.001.2	4	lock washer 5
30	2.0312.006.1	4	screw m 5 p.0.8x20
31	0.98281.89.0	1	spring
32	0.98281.91.0	1	spacer
33	0.009.4466.0	1	valve seat
34	0.98281.95.0	1	screw m 7x40
35	0.009.4466.1	1	sleeve
36	2.2999.087.0	6	ball 3/16"
37	0.98281.96.0	2	washer
38	0.98281.85.0	1	sleeve
39	0.98281.92.0	1	guide
40	0.98281.88.0	1	spring
41	0.98281.94.0	1	cup
42	0.98282.60.0	1	circlip
43	0.009.4185.1	1	reductions
44	2.2810.009.0	1	ball mm 11.906

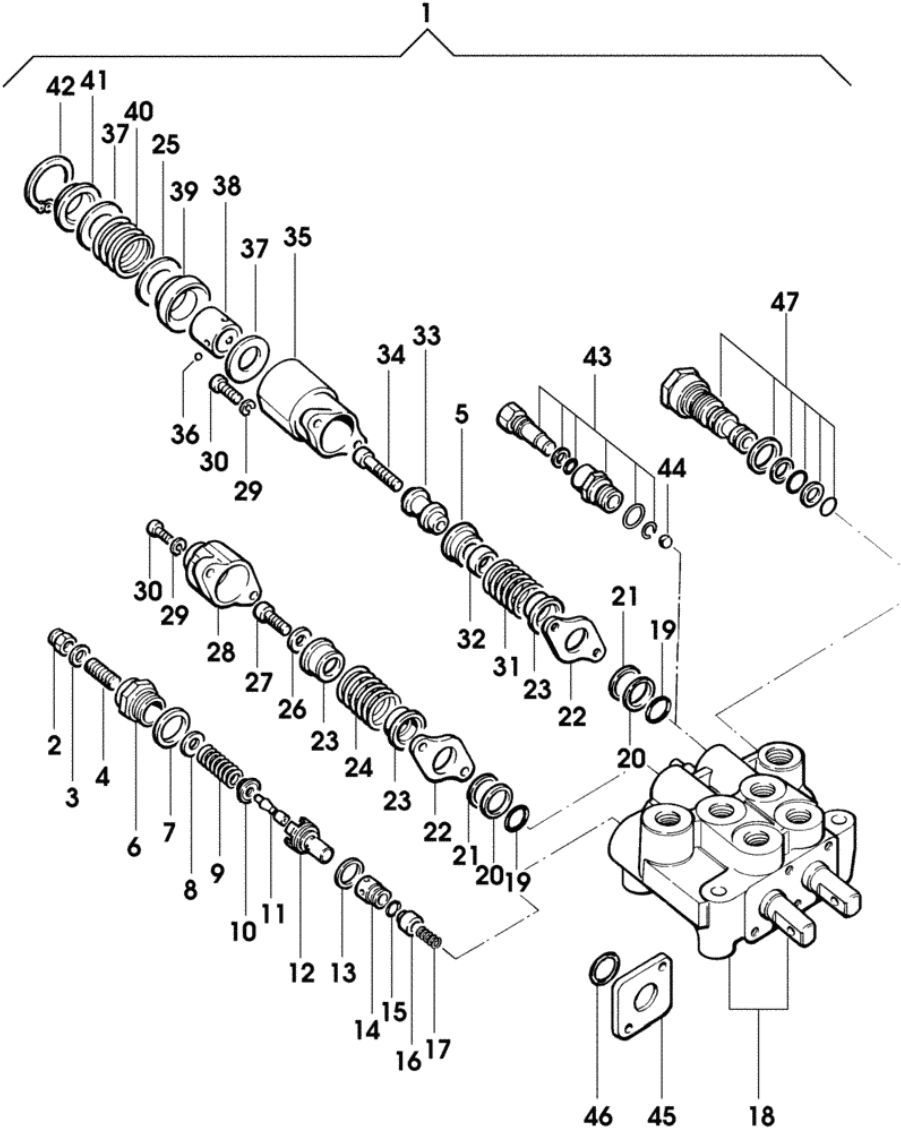


2_3719_530_0

Section: PARTS

HYDRAULIC DISTRIBUTOR-PARTS

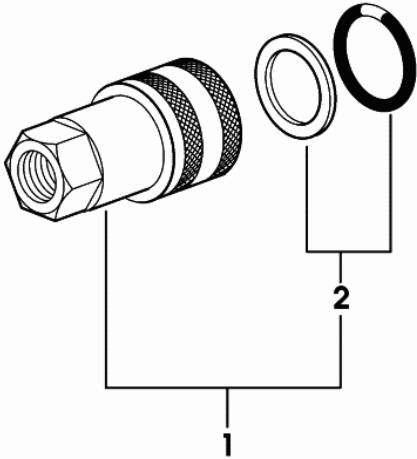
Fig.	Code	QTY	Name
45	0.009.4462.2	1	shim
46	2.1530.044.0	1	'o' ring 17.17x1.78
47	0.009.4177.1	1	accessories



2_3719_530_0

Section: PARTS
ENGAGEMENT

Fig.	Code	QTY	Name
1	0.98308.50.3/10	1	coupling
2	04438079	1	seal ring kit

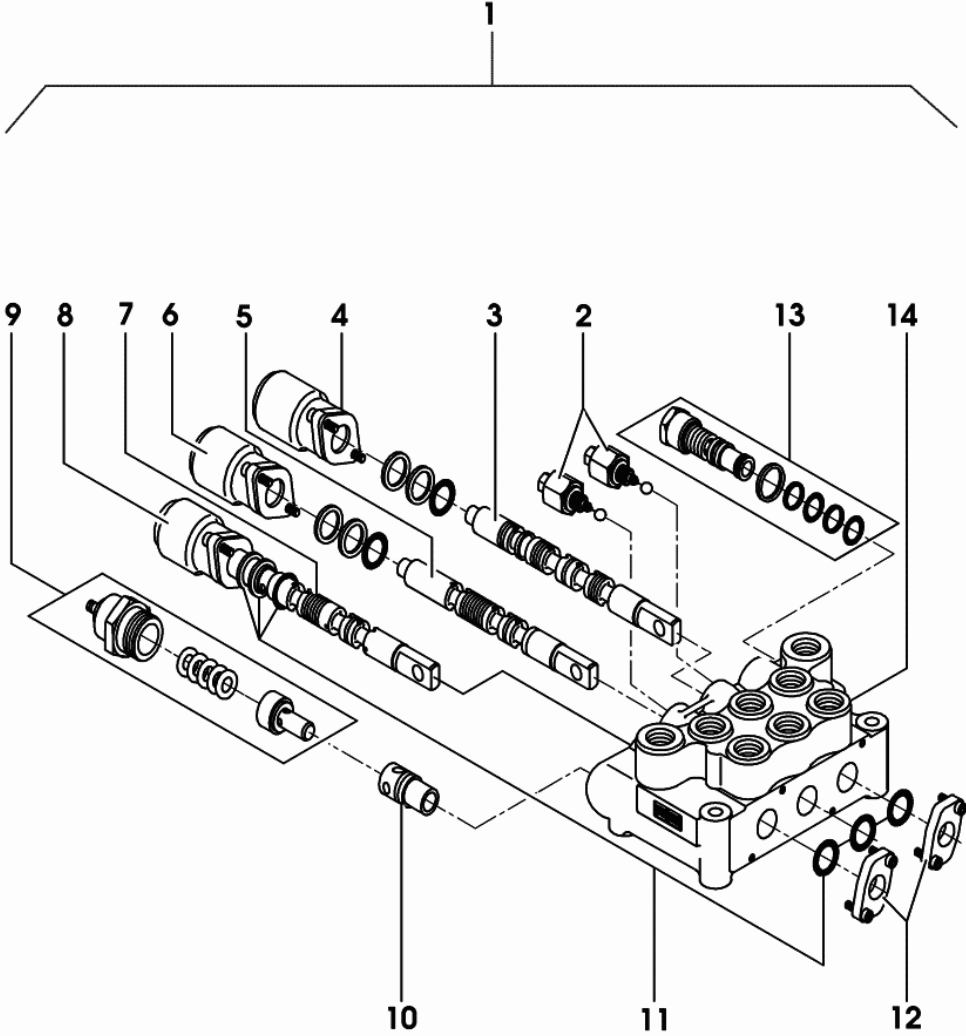


0_98308_50_3_10

Section: PARTS

HYDRAULIC DISTRIBUTOR-PARTS

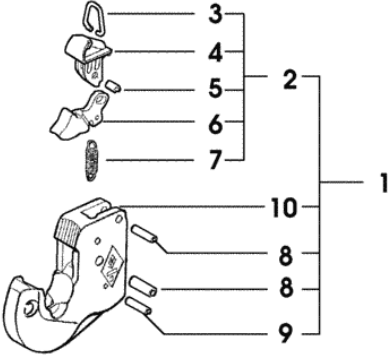
Fig.	Code	QTY	Name
1	0.009.2007.4/10	1	distributor
2	0.010.2176.2	2	valve
3	0.900.0391.2	1	slider
4	0.010.3985.0	1	small cap
5	0.900.0391.3	1	slider
6	0.900.0391.4	1	small cap
7	0.900.0391.5	1	slider
8	0.900.0391.6	1	small cap
9	0.010.2178.1	1	valve
10	0.010.3982.2	1	valve
11	0.010.2175.0	3	gasket set
12	0.900.0391.7	2	shim
13	0.900.0391.8	1	plug
14	0.000.0000.1	0	not serviceable



0_009_2007_4_10

Section: PARTS
TOWING HITCH

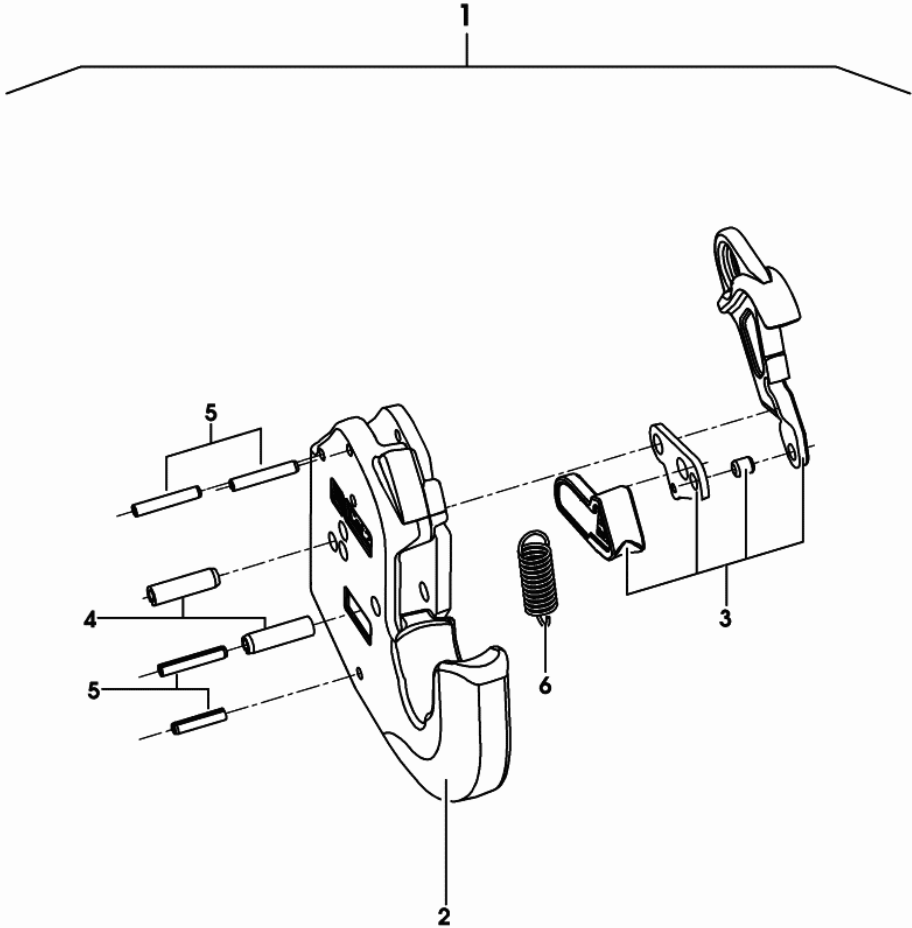
Fig.	Code	QTY	Name
1	0.010.1702.3	1	automatic hook 2 cat.- WALTERSCHEID
2	0.010.2190.0	1	support
3	0.010.2191.0	1	stop
4	0.010.2192.0	1	support
5	0.010.2193.0	1	pin
6	0.010.2194.0	1	lever
7	0.010.2195.0	1	spring
8	0.009.4677.1	2	pin 10x32
9	0.009.4677.2	1	pin 6x28
10	0.000.0000.1	0	not serviceable



010_1702_3

Section: PARTS
TOWING HITCH

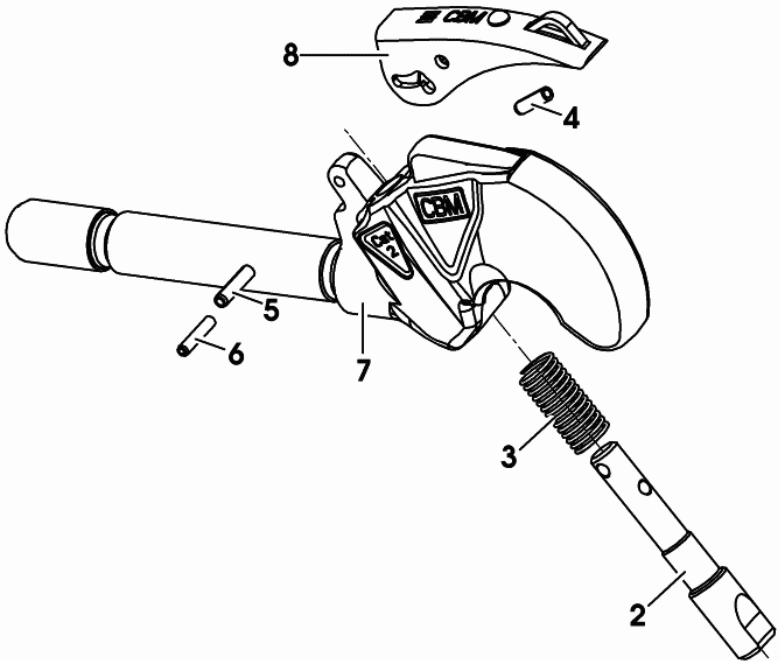
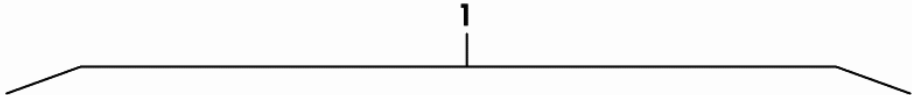
Fig.	Code	QTY	Name
1	0.014.1420.3	1	automatic hook 2 cat.-CBM-
2	0.000.0000.1	1	not serviceable
3	0.900.0270.5	1	part set
4	0.900.0270.6	1	part set
5	0.900.0270.7	1	part set
6	0.900.0270.8	1	spring



0_014_1420_3

Section: PARTS
LINKAGE

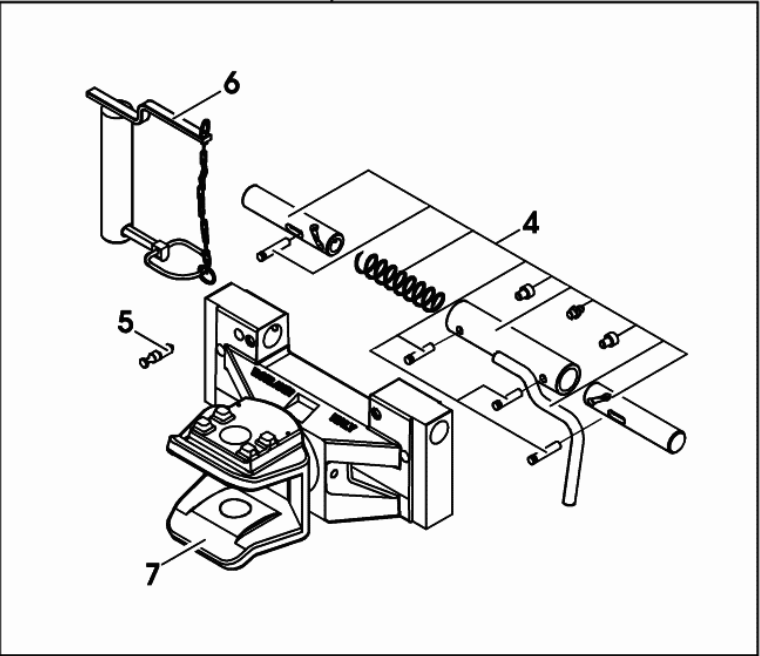
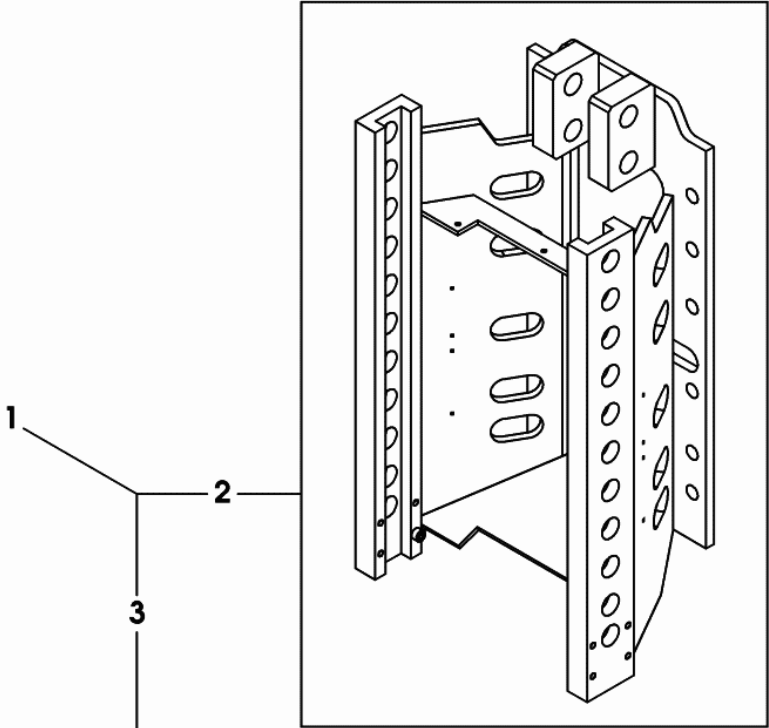
Fig.	Code	QTY	Name
1	0.014.1412.3	1	rod
2	04397651	1	pin
3	0.900.0070.6	1	spring
4	0.900.0070.7	1	roll pin
5	0.900.0070.8	1	roll pin
6	0.900.0070.9	1	roll pin
7	0.000.0000.1	0	not serviceable
8	04397652	1	lever



0_014_1412_3

Section: PARTS
DRAWBAR COUPLING

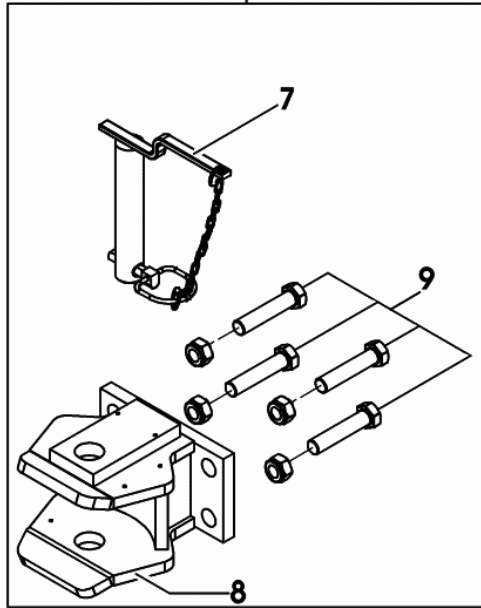
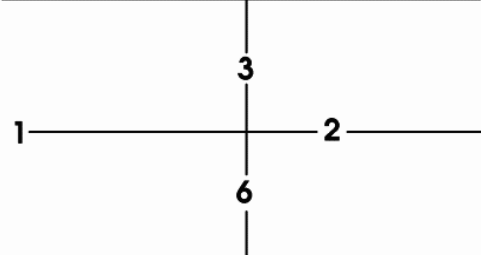
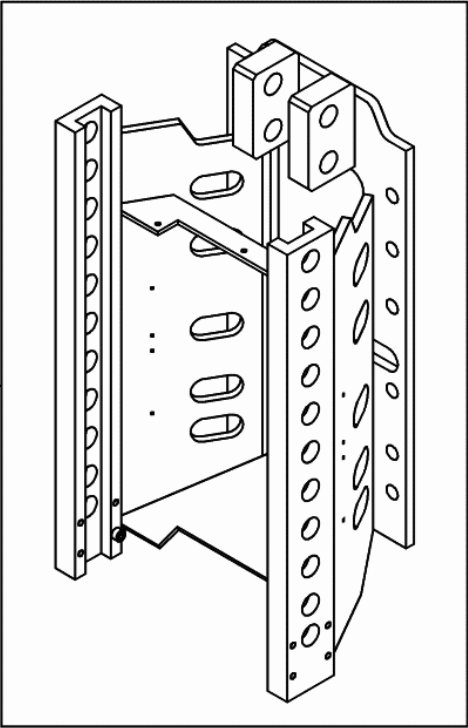
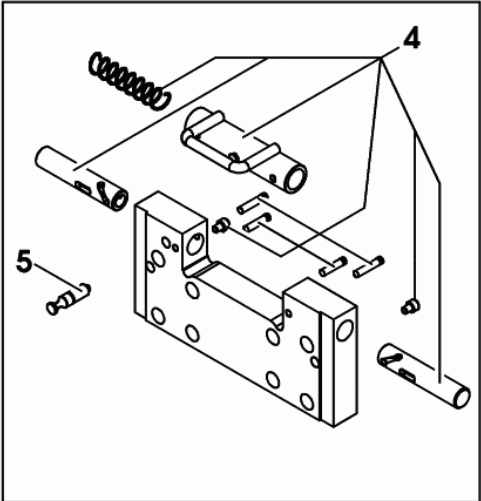
Fig.	Code	QTY	Name
1	0.014.2979.4	1	tow hook
2	0.900.0388.3	1	chassis frame
3	0.900.0387.9	1	chassis frame
4	0.900.0307.0	1	part set
5	0.900.0307.1	1	smau pin
6	0.900.0388.0	1	pin
7	0.000.0000.1	0	not serviceable



0_014_2979_4

Section: PARTS
DRAWBAR COUPLING

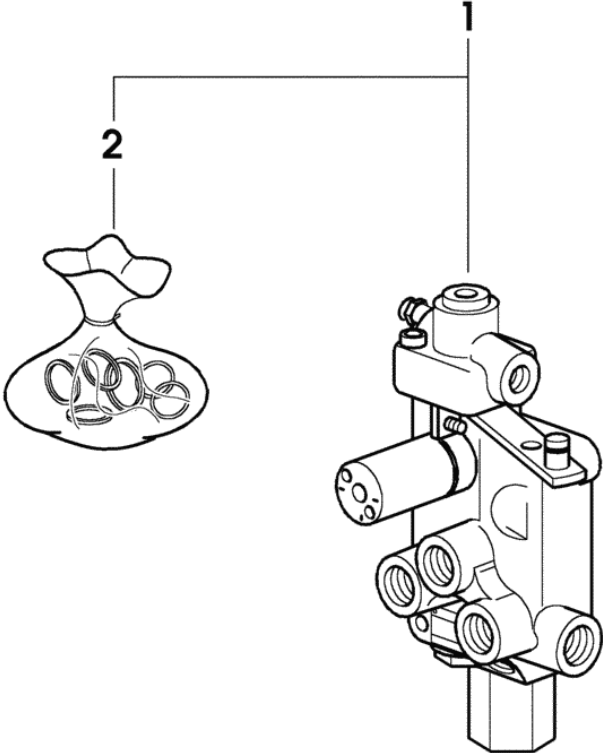
Fig.	Code	QTY	Name
1	0.014.3461.4	1	tow hook
2	0.900.0388.3	1	chassis frame
3	0.900.0306.9	1	chassis frame
4	0.900.0307.0	1	part set
5	0.900.0307.1	1	smau pin
6	0.900.0388.4	1	clevis
7	0.900.0388.5	1	pin
8	0.900.0388.6	1	chassis
9	0.900.0306.5	1	kit m 18



0_014_3461_4

Section: PARTS
VALVE PARTS

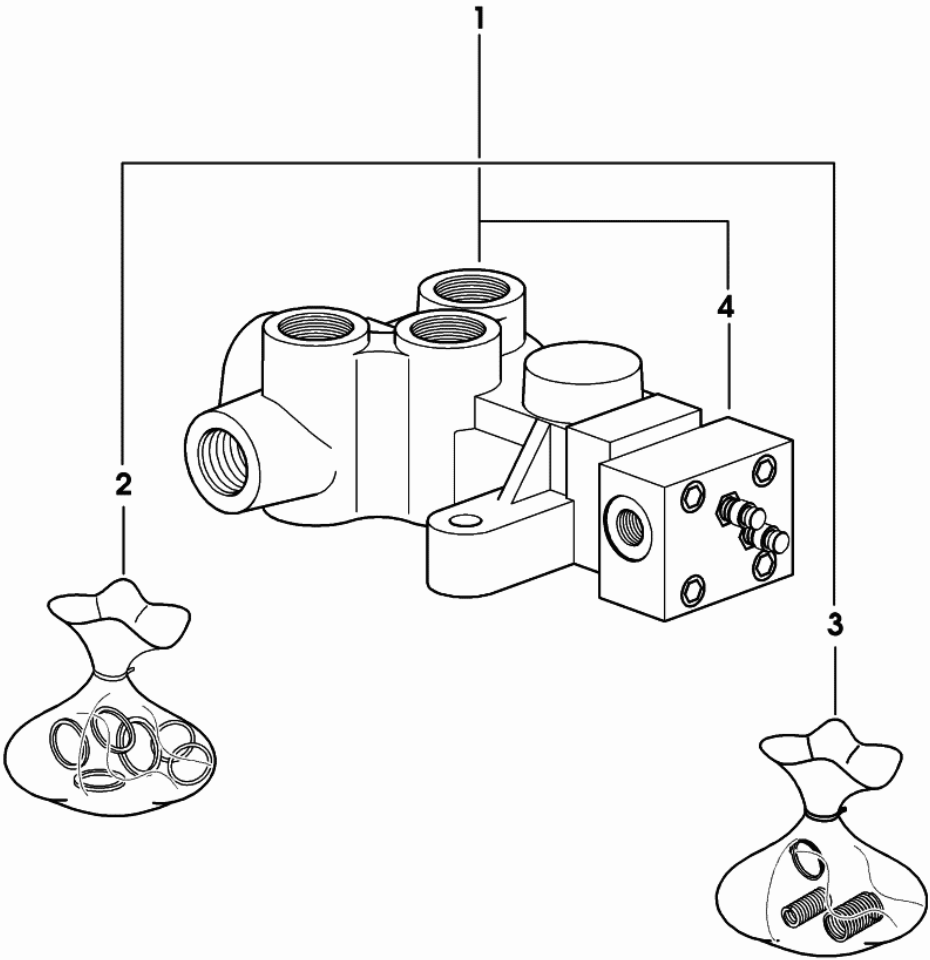
Fig.	Code	QTY	Name
1	2.3719.810.0/10	1	valve
2	0.009.4343.2	1	gasket set



2_3719_810_0_10

Section: PARTS
TRAILER BRAKE VALVE

Fig.	Code	QTY	Name
1	2.3719.550.0/40	1	valve
2	0.010.3493.1	1	gasket set
3	0.900.0040.2	1	spring
4	0.900.0040.3	1	small block



2_3719_550_0_40

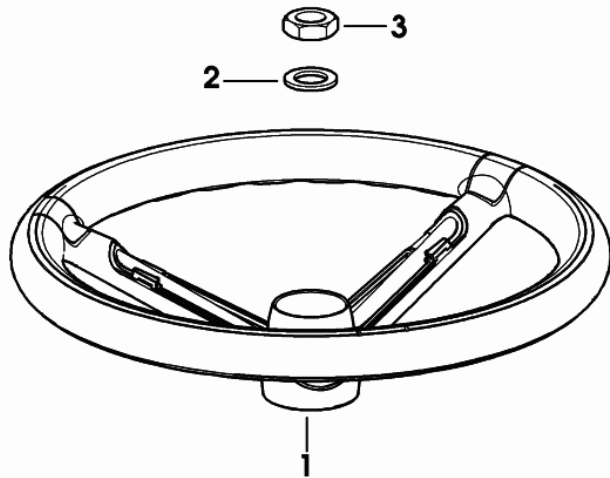
EXPLORER 75 T

POWER STEERING - HYDRAULIC SYSTEM

STEERING WHEEL.....	273
STEERING WHEEL CAP.....	274
STEERING COLUMN.....	275
POWER STEERING DANFOSS - 80.....	276
POWER STEERING.....	277
2WD CONTROL PIPES.....	278
PIPES FOR HYDROSTATIC STEERING.....	279
CONNECTING PIPING.....	280
GEARBOX OIL COOLER.....	283
CONNECTING PIPE.....	284
OIL SUCTION.....	285
PUMP FILTER SUCTION 14cc.....	287
PUMP FILTER SUCTION 22.5 cc.....	288
PUMP FILTER SUCTION.....	291
OIL PUMP 8 cc.....	293
OIL PUMP 14 cc dx.....	295
HYDRAULIC PUMP 22.5 cc - DX.....	297
DELIVERY PIPE 14 cc.....	298
DELIVERY PIPE 14 cc - FOR TYPES WITH HYDRAULIC BRAKES.....	299
DELIVERY PIPE 22.5 cc.....	300
DELIVERY PIPE 22.5 cc - FOR TYPES WITH HYDRAULIC BRAKES.....	301
HYDRAULIC SYSTEM SYNCRO POWER.....	309
PLUG - FOR TYPES WITHOUT SYNCRO POWER.....	311

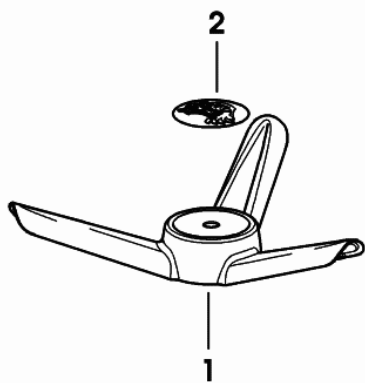
STEERING WHEEL

Fig.	Code	QTY	Name
1	0.014.3173.2	1	steering wheel
2	2.1470.011.2	1	lock washer 20
3	2.1011.511.2	1	nut m 20 p.1.5



STEERING WHEEL CAP

Fig.	Code	QTY	Name
1	0.014.3172.0	1	plug
2	0.013.8051.0/10	1	plate SAME

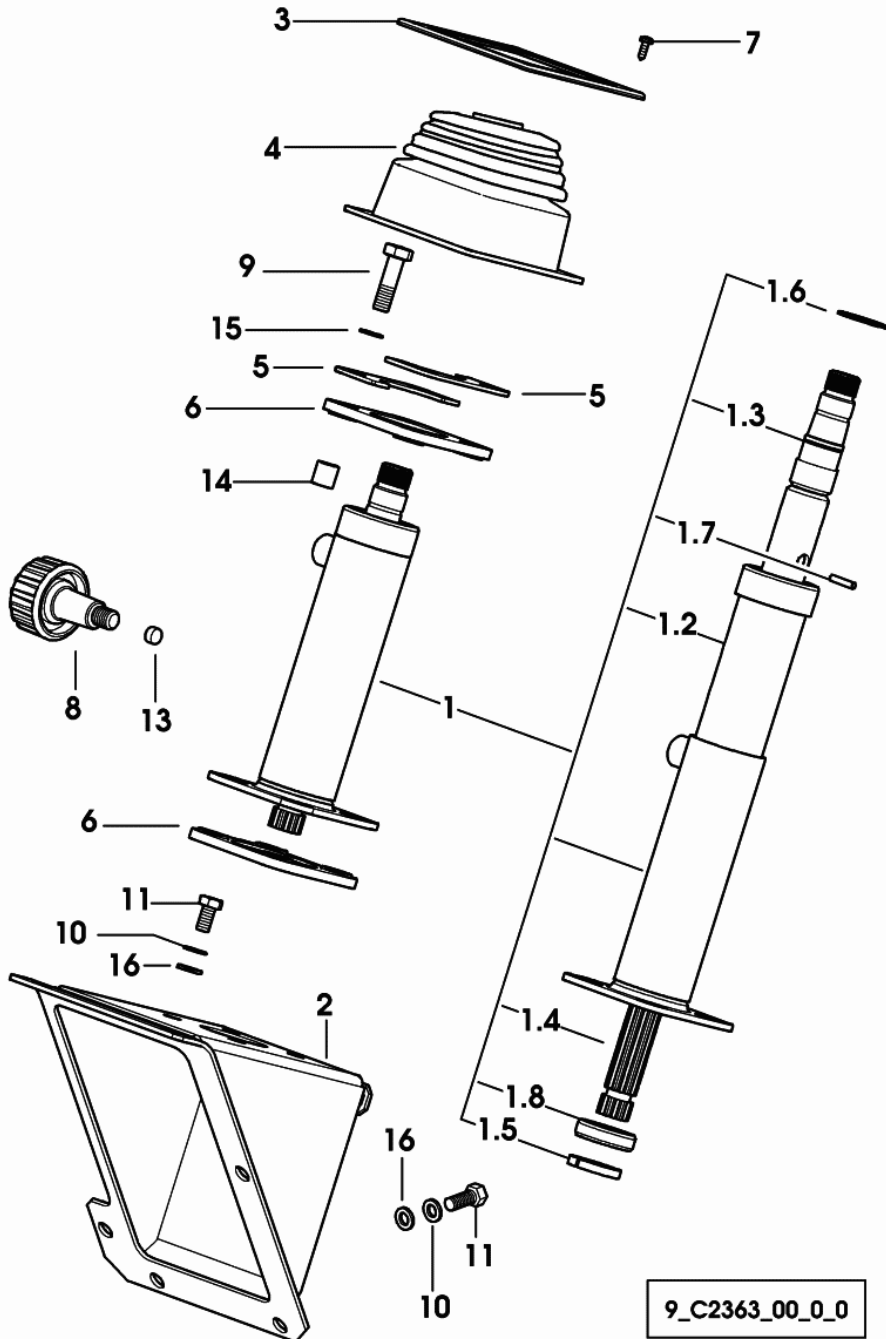


EXPLORER 75 T

Section: POWER STEERING - HYDRAULIC SYSTEM

Ref.: 275

STEERING COLUMN

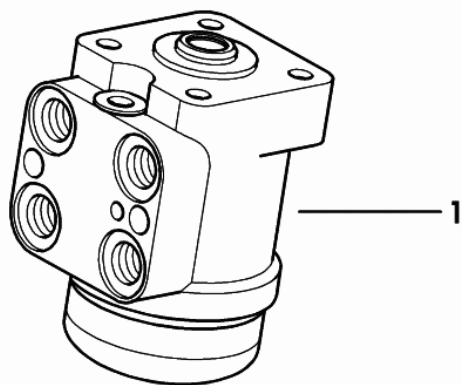


9_C2363_00_0_0

Fig.	Code	QTY	Name
1	0.013.2808.3	1	column
1.2	0.000.0000.1	0	not serviceable
1.3	0.000.0000.1	0	not serviceable
1.4	0.007.3756.0	1	shaft
1.5	2.1599.566.2	2	thrust plate 16.5x34x5
1.6	2.1410.010.7	1	circlip 25
1.7	2.1630.410.0	1	roll pin 4x20
1.8	2.1549.326.0	1	spacer
2	0.013.2039.3/10	1	support
3	0.467.6363.0	1	lamination
4	0.467.6362.0	1	guard
5	0.009.9647.0	1	shim
6	0.009.9625.0	2	gasket
7	2.0399.174.3	4	screw 4.8x16
8	0.012.1930.3	1	knob
9	2.0112.313.2	4	screw m 10 p.1.5x35
10	2.1470.004.2	6	lock washer 8
11	2.0112.205.2	6	screw m 8 p.1.25x16
13	2.1579.883.0	1	spacer 10x5
14	2.1549.205.2	4	spacer 10.5x14x14
15	2.1470.006.2	4	lock washer 10
16	2.1310.004.2	6	flat washer 8.4x16

POWER STEERING DANFOSS - 80

Fig.	Code	QTY	Name
1	0.290.6310.4/10	1	hydrosteering DANFOSS - 80 CC ☞ 601 => 601



9_D1063_02_0_0

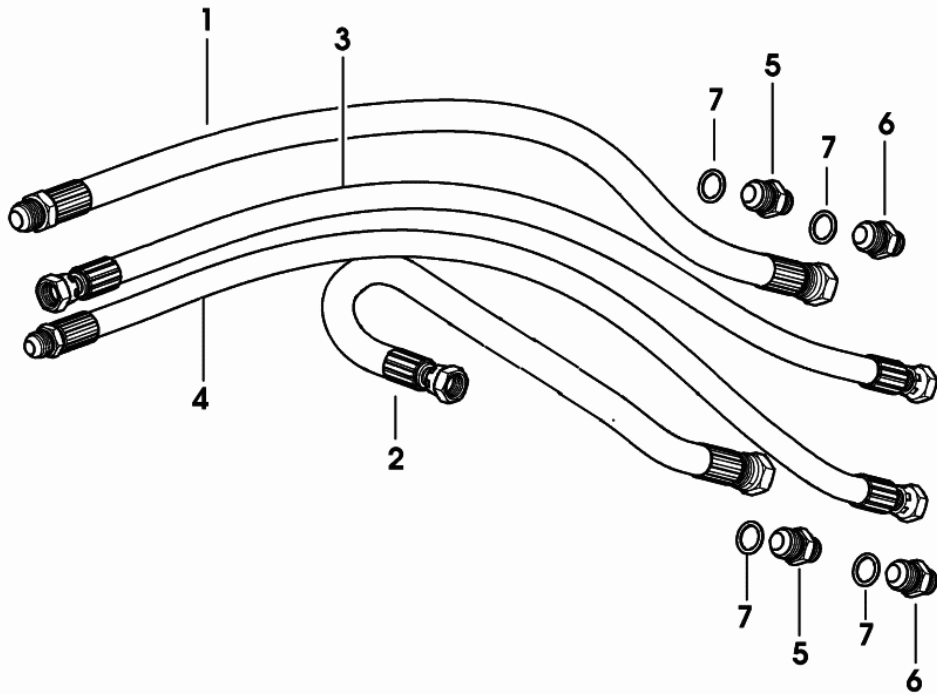
EXPLORER 75 T

Section: POWER STEERING - HYDRAULIC SYSTEM

Ref.: 277

POWER STEERING

Fig.	Code	QTY	Name
1	0.014.2526.3	1	tube
2	0.014.2527.3	1	tube
3	0.014.2529.3	1	tube
4	0.014.2528.3	1	tube
5	2.3261.010.2	2	pipe fitting M18x1,5 7/8" 14
6	2.3261.009.2	2	pipe fitting m 18 p.1.5-3/4"
7	2.1560.014.0	4	gasket 18.2x24x1.5

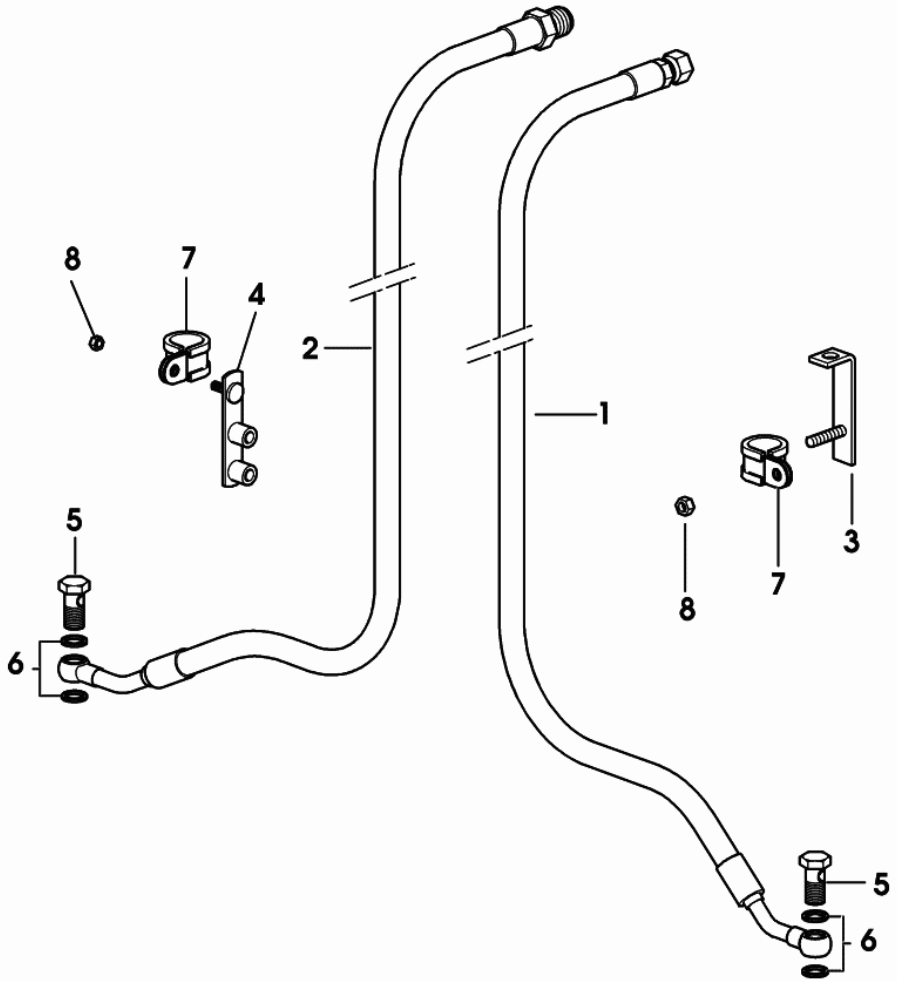


9_C2363_01_0_0

2WD CONTROL PIPES

Fig.	Code	QTY	Name
------	------	-----	------

1	0.014.3107.3	1	tube sx
2	0.014.3108.3	1	tube dx
3	0.178.6362.3	1	square
4	0.008.9663.2/10	1	bracket dx
5	2.3335.006.2	2	pipe union m 14 p.1.5
6	2.1560.010.0	4	gasket 14.2x20
7	2.6839.051.0	5	clamp 20/20
8	2.1011.103.2	2	nut m 6 p.1



9_C2363_03_0_0

EXPLORER 75 T

Section: POWER STEERING - HYDRAULIC SYSTEM

Ref.: 279

PIPES FOR HYDROSTATIC STEERING

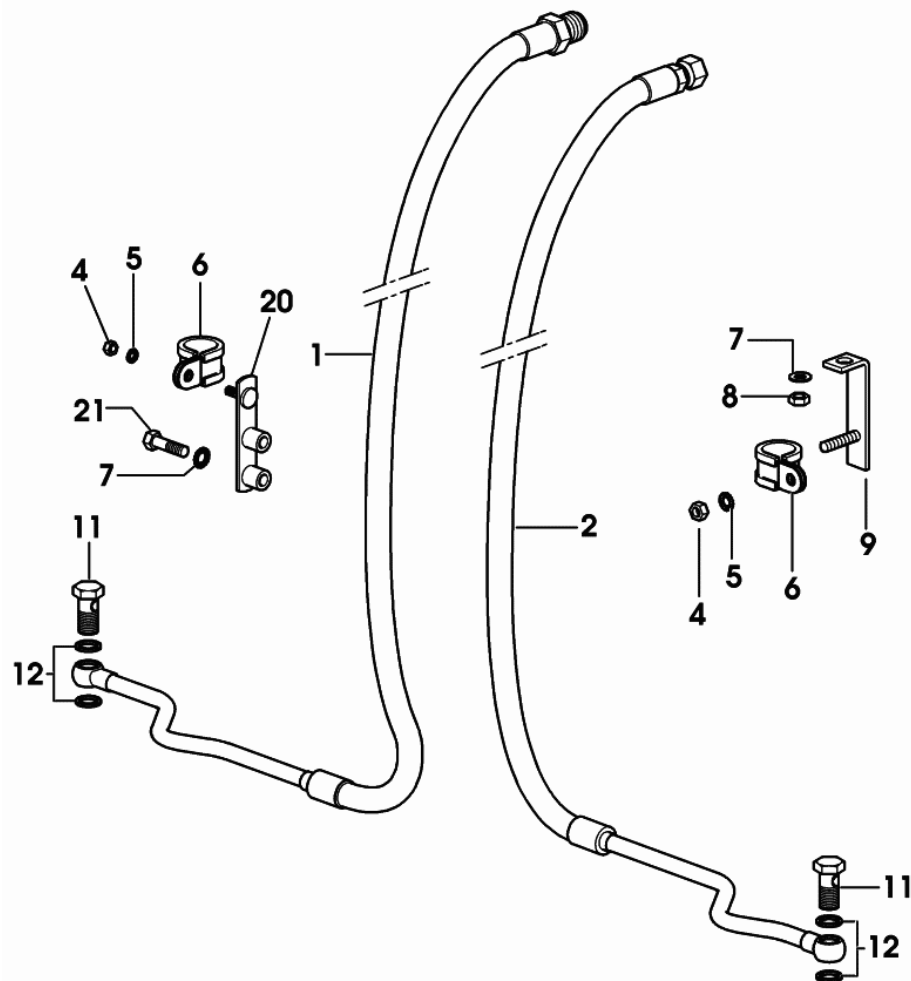
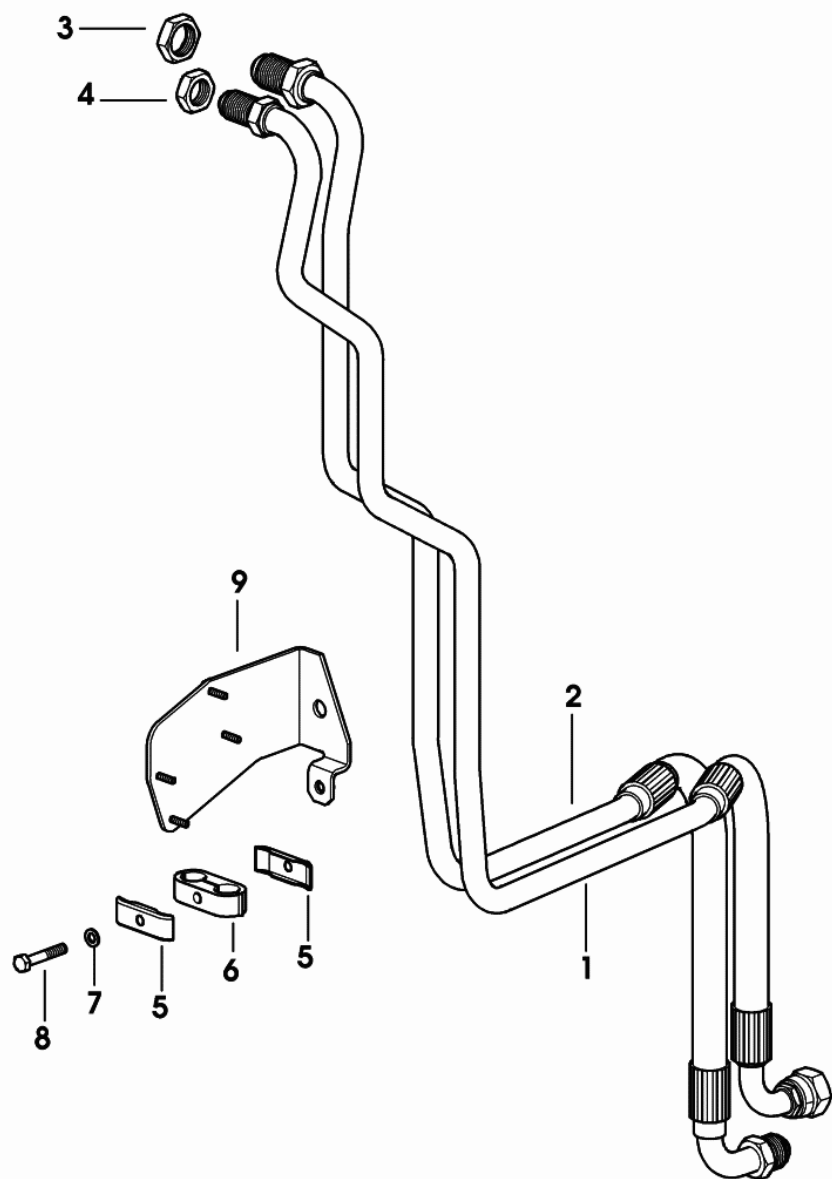


Fig.	Code	QTY	Name
1	0.014.2531.3/10	1	tube dx
2	0.014.2530.3	1	tube sx
4	2.1011.103.2	5	nut m 6 p.1
5	2.1470.002.2	5	lock washer 6
6	2.6839.051.0	5	clamp 20/20
7	2.1470.004.2	3	lock washer 8
8	2.1011.105.2	1	nut m 8 p.1.25
9	0.178.6362.3	1	square
11	2.3339.210.1	2	pipe union m 14
12	2.1560.010.0	4	gasket 14.2x20
20	0.008.9663.2/10	1	bracket dx
21	2.0112.211.2	2	screw m 8 p.1.25x30

9_C2363_02_0_0

CONNECTING PIPING

Fig.	Code	QTY	Name
1	0.014.2194.3/10	1	tube
2	0.014.2201.3/10	1	tube
3	2.1019.161.2	1	nut 7/8
4	2.1019.099.2	1	nut 3/4-16jic
5	0.013.3065.0	2	plate
6	0.013.3070.0	1	stop
7	2.1470.002.2	1	lock washer 6
8	2.0112.013.2	1	screw m 6 p.1x35
9	0.014.3132.3	1	bracket



9_C2282_08_0_0

EXPLORER 75 T

Section: POWER STEERING - HYDRAULIC SYSTEM

Ref.: 283

GEARBOX OIL COOLER

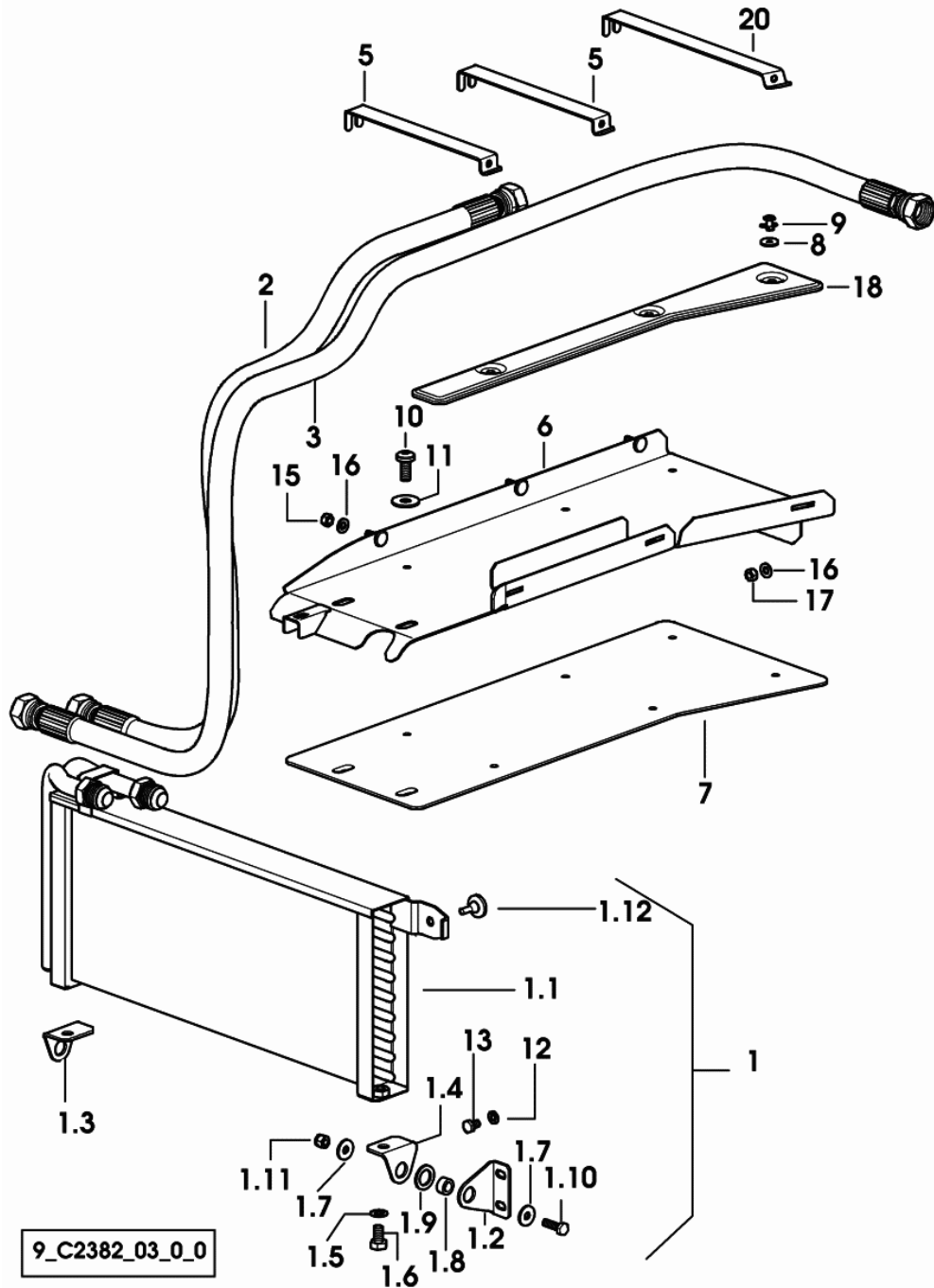


Fig.	Code	QTY	Name
1	0.000.0000.1	0	not serviceable
1.1	0.014.0549.2	1	oil cooler
1.2	0.008.9598.0	2	bracket
1.3	0.008.9599.0	1	bracket dx
1.4	0.008.9600.0	1	bracket sx
1.5	2.1470.004.2	2	lock washer 8
1.6	2.0112.204.2	2	screw m 8 p.1.25x14
1.7	2.1312.003.2	4	washer 6.6x18
1.8	2.1579.994.2	2	spacer 8.5x14x7
1.9	2.1549.169.0	2	spacer 14.5x22x2
1.10	2.0112.007.2	2	screw m 6 p.1x20
1.11	2.1120.003.2	2	selflock nut m 6
1.12	0.467.7693.0	2	block
2	0.014.2525.3	1	tube
3	0.014.2524.3	1	tube
5	0.013.7333.0/20	2	small spring
6	0.013.5232.3/40	1	channel
7	0.013.7179.0/20	1	guard
8	2.1312.002.2	9	washer 5.3x15
9	2.1851.005.0	6	rivet
10	2.0330.507.2	2	screw m 8x20
11	2.1312.004.2	2	washer 9x24
12	2.1470.002.2	4	lock washer 6
13	2.0112.002.2	4	screw m 6 p.1x10
15	2.1011.103.2	2	nut m 6 p.1
16	2.1310.002.2	2	flat washer 6.4x12.5
17	2.1110.004.2	2	wing nut m 6
18	0.014.2560.0	1	guard
20	0.014.3169.0	1	small spring

9_C2382_03_0_0

CONNECTING PIPE

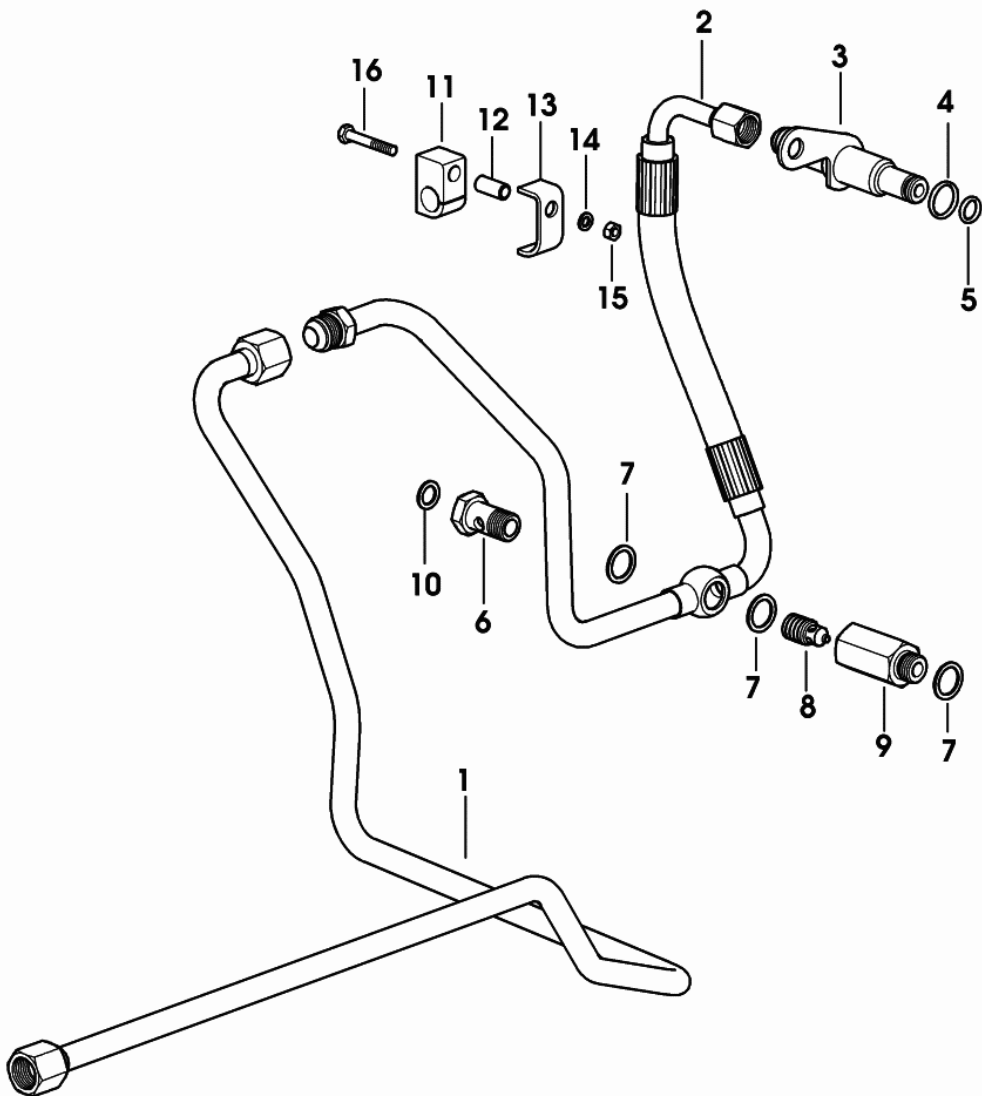


Fig.	Code	QTY	Name
1	0.014.2682.3	1	tube
2	0.014.2683.3	1	tube
3	0.008.2927.4	1	pipe fitting
4	2.1531.048.0	1	ring 18.72x2.62
5	2.1531.029.0	1	'o' ring 12.37x2.62
6	2.3339.465.2/10	1	pipe union
7	2.1560.014.0	3	gasket 18.2x24x1.5
8	0.008.3365.0/10	1	valve
9	0.006.6360.0	1	valve body
10	2.1560.008.0	1	gasket 12.2x18
11	0.014.2881.0	1	terminal
12	2.1549.591.2	1	spacer
13	0.014.1059.0	1	cover
14	2.1470.002.2	1	lock washer 6
15	2.1011.103.2	1	nut m 6 p.1
16	2.0112.015.2	1	screw m 6 p.1x40

9_C2282_12_0_0

OIL SUCTION

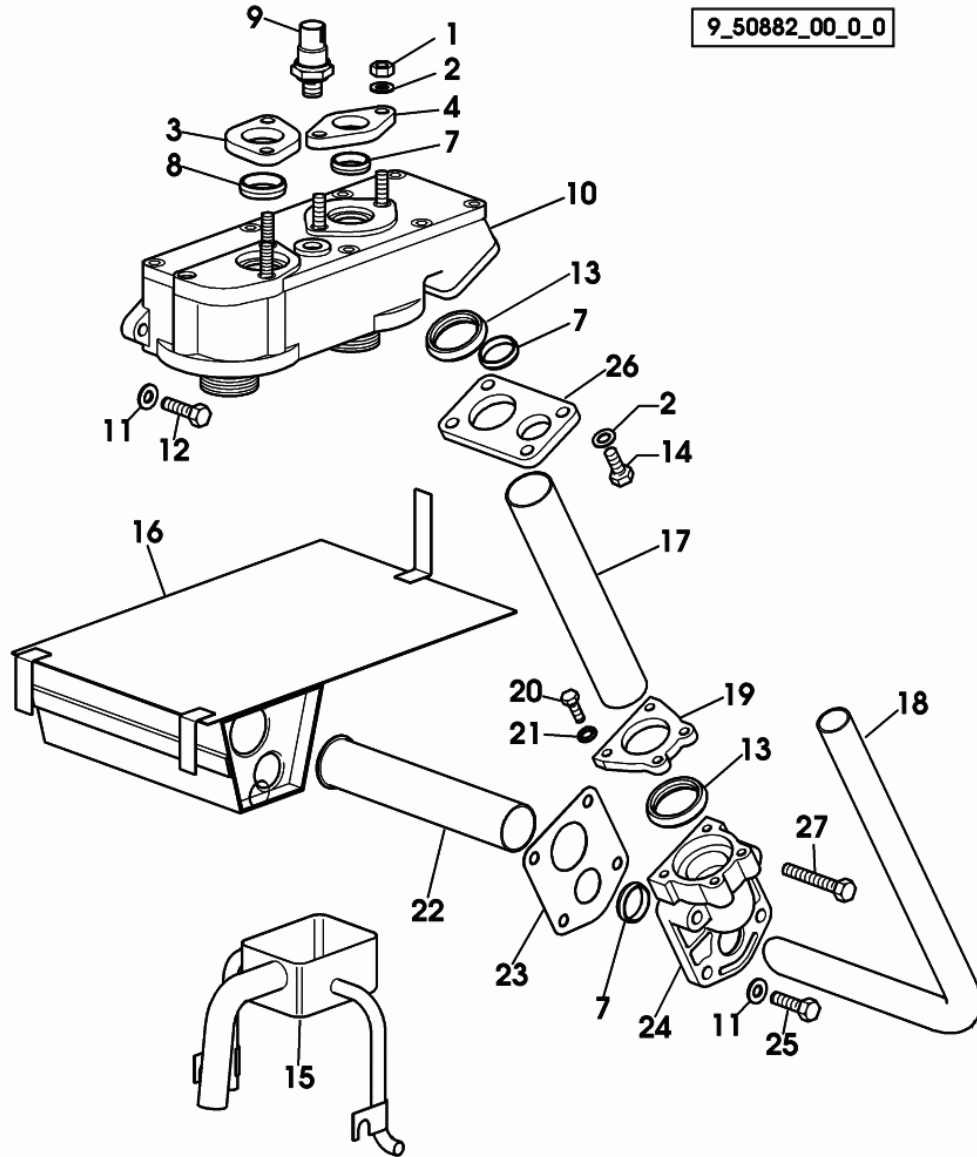
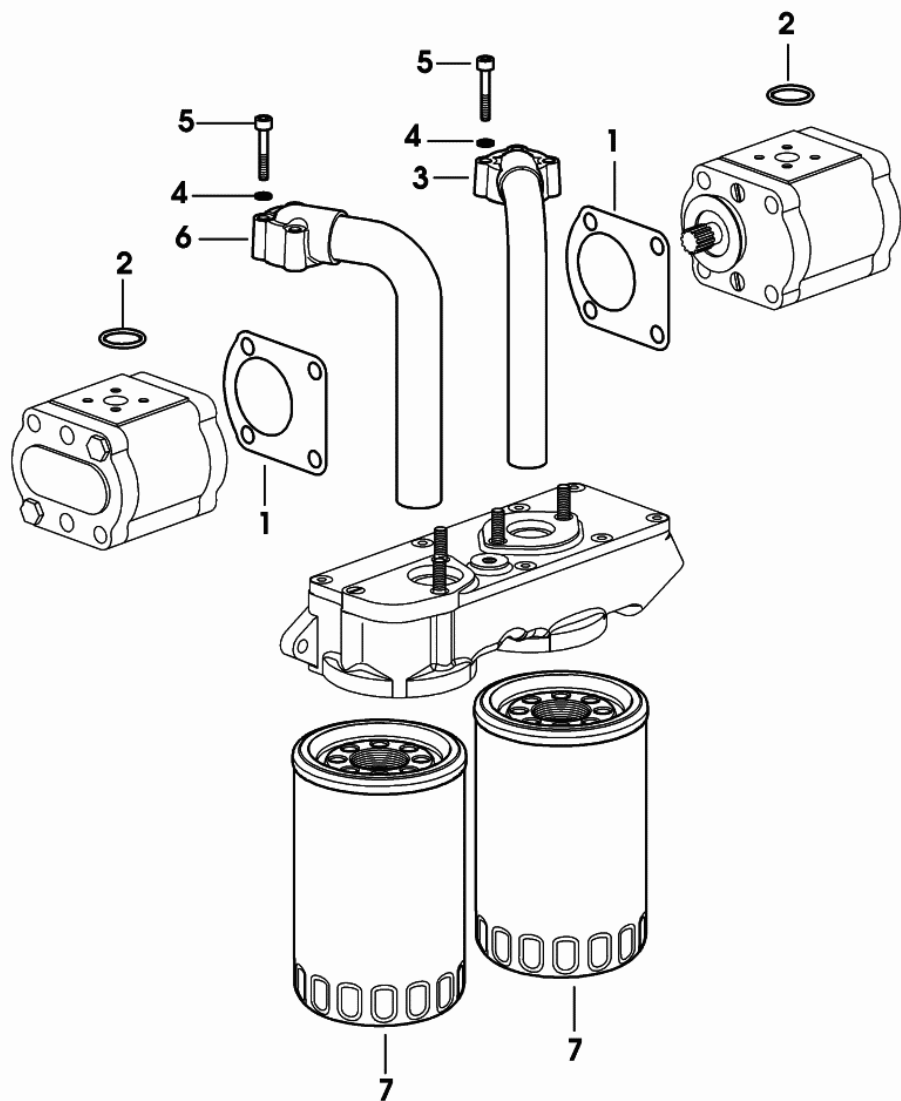


Fig.	Code	QTY	Name
1	2.1011.105.2	4	nut m 8 p.1.25
2	2.1470.004.2	8	lock washer 8
3	0.255.8235.0/10	1	flange
4	0.255.8236.0	1	flange
7	0.255.8253.0/40	3	gasket
8	0.255.8254.0/40	1	gasket
9	2.7099.660.0/10	1	pressure switch 0.5-0.4 BAR
10	0.255.8237.3/40	1	support
11	2.1481.007.1	6	washer 8
12	2.0312.208.2	2	screw m 8 p.1.25x25
13	0.255.8255.0/40	2	gasket
14	2.0112.208.2	4	screw m 8 p.1.25x22
15	0.255.8234.3/30	1	tube
16	0.255.8238.2	1	division
17	0.255.8259.0	1	tube
18	0.255.8261.0	1	tube
19	0.008.4713.0	1	flange
20	2.0112.007.2	4	screw m 6 p.1x20
21	2.1470.002.2	4	lock washer 6
22	0.255.8260.0	1	tube
23	0.255.8262.0/20	1	gasket
24	0.255.8257.0/20	1	support
25	2.0112.209.2	2	screw m 8 p.1.25x25
26	0.255.8239.0	1	flange
27	2.0112.217.2	2	screw m 8 p.1.25x45

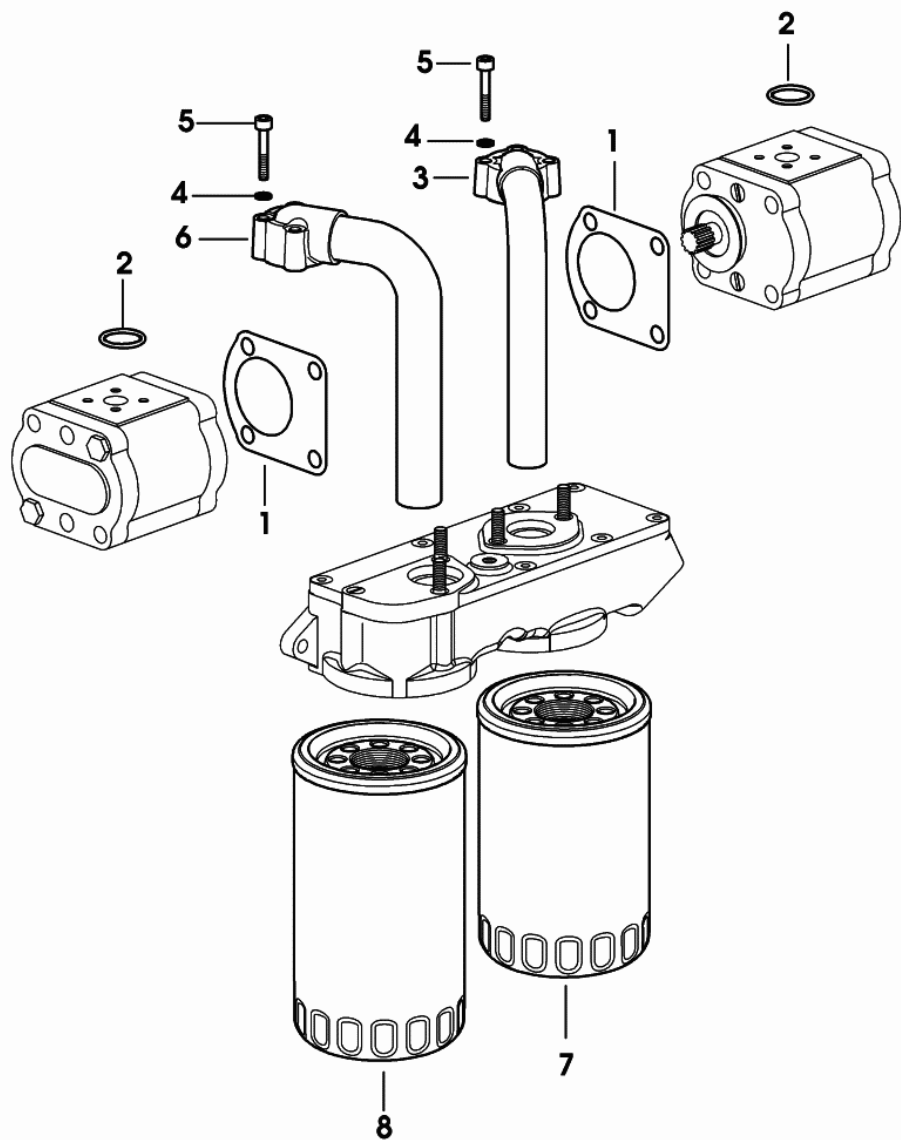
PUMP FILTER SUCTION 14cc

Fig.	Code	QTY	Name
1	0.9104.250.0/10	2	gasket
2	2.1531.062.0	2	ring 23.81x2.62
3	0.255.8232.3	1	tube
4	2.1480.012.2	6	washer 6
5	2.0312.112.2	6	screw m 6 p.1x35
6	0.255.8230.3	1	tube
7	2.4419.350.0	2	hydr.oil filter elem FT 4944



PUMP FILTER SUCTION 22.5 cc

Fig.	Code	QTY	Name
1	0.9104.250.0/10	2	gasket
2	2.1531.062.0	2	ring 23.81x2.62
3	0.255.8232.3	1	tube
4	2.1480.012.2	6	washer 6
5	2.0312.112.2	6	screw m 6 p.1x35
6	0.008.1951.3	1	tube
7	2.4419.350.0	1	hydr.oil filter elem FT 4944
8	2.4419.280.0	1	hydr.oil filter elem FT 4948



PUMP FILTER SUCTION

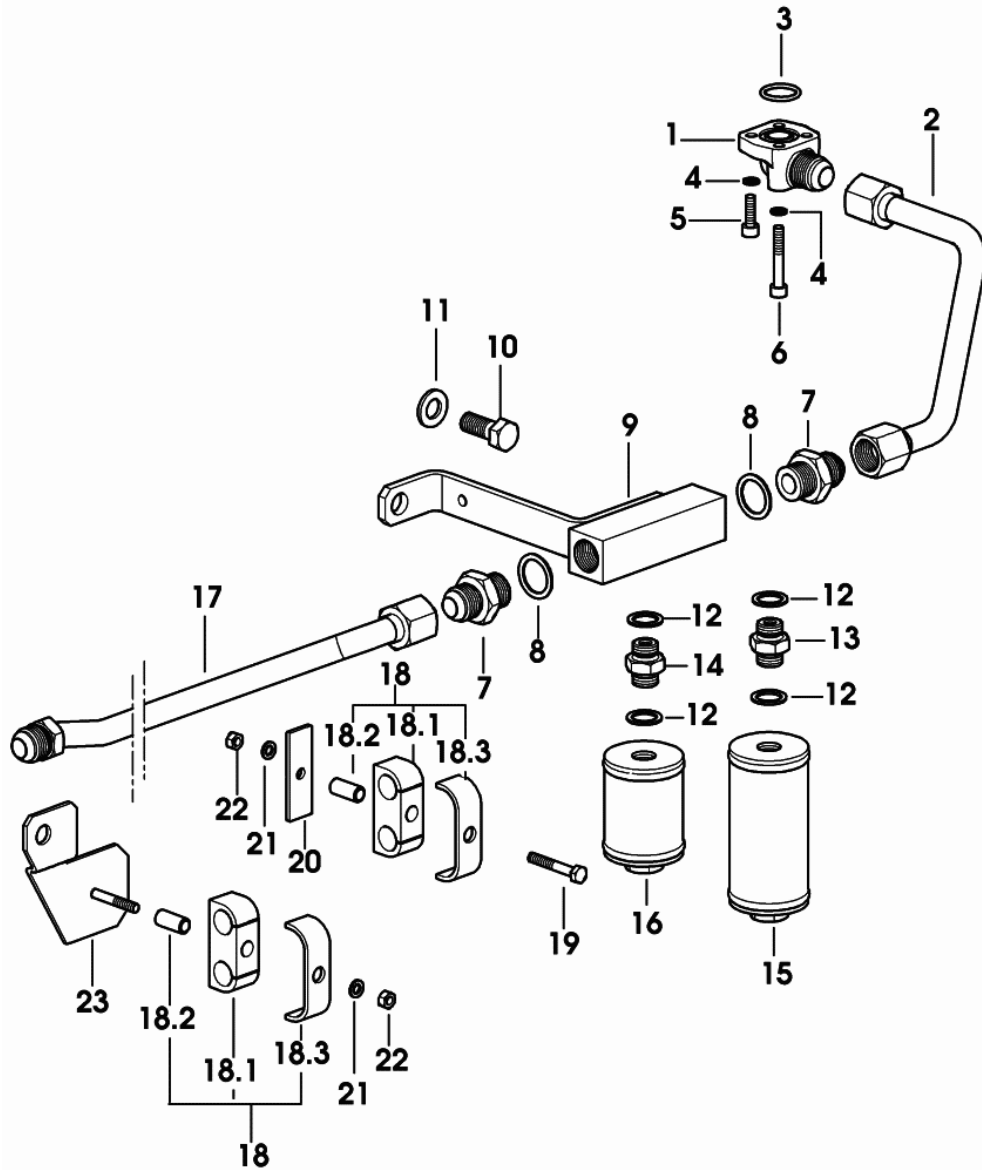
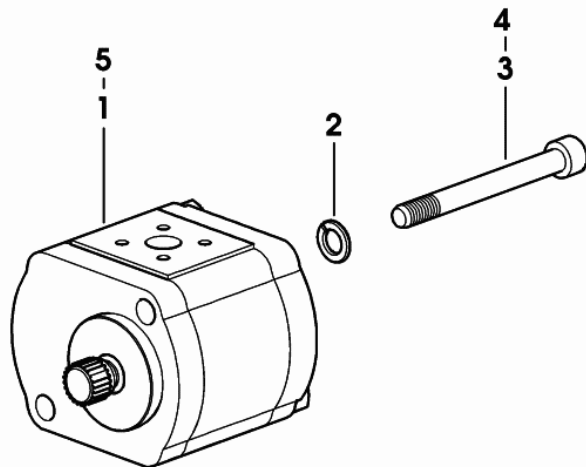


Fig.	Code	QTY	Name
1	0.008.9626.0	1	pipe fitting
2	0.014.2680.3	1	tube
3	2.1531.052.0	1	'o' ring 20.29x2.62
4	2.1480.012.2	2	washer 6
5	2.0312.106.2	2	screw m 6 p.1x20
6	2.0312.114.2	2	screw m 6 p.1x40
7	2.3261.012.2	2	pipe fitting m 22 p.1.5-7/8"
8	2.1560.018.0	2	gasket 22.2x29
9	0.014.2093.3	1	body
10	2.0112.411.2	1	screw m 12 p.1.75x30
11	2.1310.007.2	4	flat washer 13x24
12	2.1560.012.0	4	gasket 16.2x22
13	0.299.6358.0/10	1	pipe fitting M 16/M 16
14	0.299.6359.0	1	pipe fitting M 16/M 16
15	0.299.6353.3/10	1	vibration damper 118 cc
16	0.299.6352.3/10	1	vibration damper 64 cc
17	0.014.2681.3	1	tube
18	0.014.0494.4	2	terminal
18.1	0.014.0494.0	1	terminal
18.2	2.1549.591.2	1	spacer
18.3	0.014.0496.0	1	small cover
19	2.0112.015.2	1	screw m 6 p.1x40
20	0.014.0497.0	1	small plate
21	2.1470.002.2	2	lock washer 6
22	2.1011.103.2	2	nut m 6 p.1
23	0.014.2103.3	1	bracket

9_C2282_06_0_0

OIL PUMP 8 cc

Fig.	Code	QTY	Name
1	2.4539.510.0	1	hydraulic pump - BOSCH - ☞ 602 => 602
2	2.1474.010.2	2	spring washer 10
3	2.0312.325.2	1	screw m 10x95
4	2.0312.326.2	1	screw m 10 p.1.5x100
5	2.4539.520.0	0	hydraulic pump - SAUER - ☞ 603 => 603



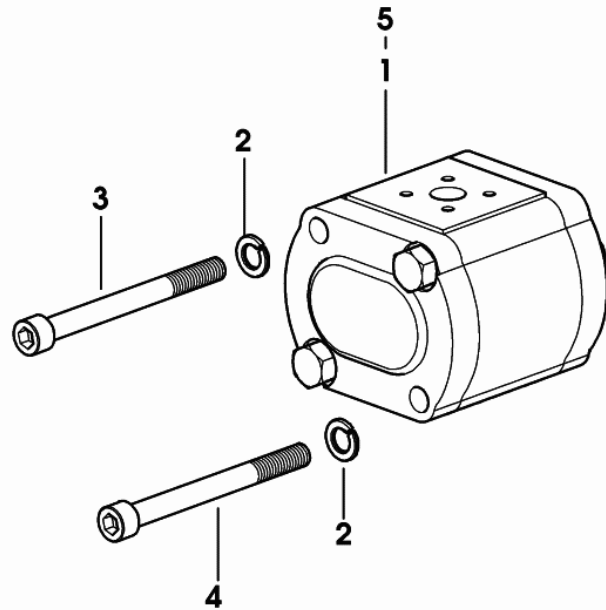
EXPLORER 75 T

Section: POWER STEERING - HYDRAULIC SYSTEM

Ref.: 295

OIL PUMP 14 cc dx

Fig.	Code	QTY	Name
1	2.4539.480.0	1	oil pump - BOSCH - 14cc ☞ 606 => 606
2	2.1474.010.2	2	spring washer 10
3	2.0169.018.2	1	screw m 10 p.1.5x105
4	2.0169.017.2	1	screw m 10 p.1.5x115
5	2.4539.490.0	0	oil pump - SAUER - 14cc ☞ 607 => 607



9_C2282_03_0_0

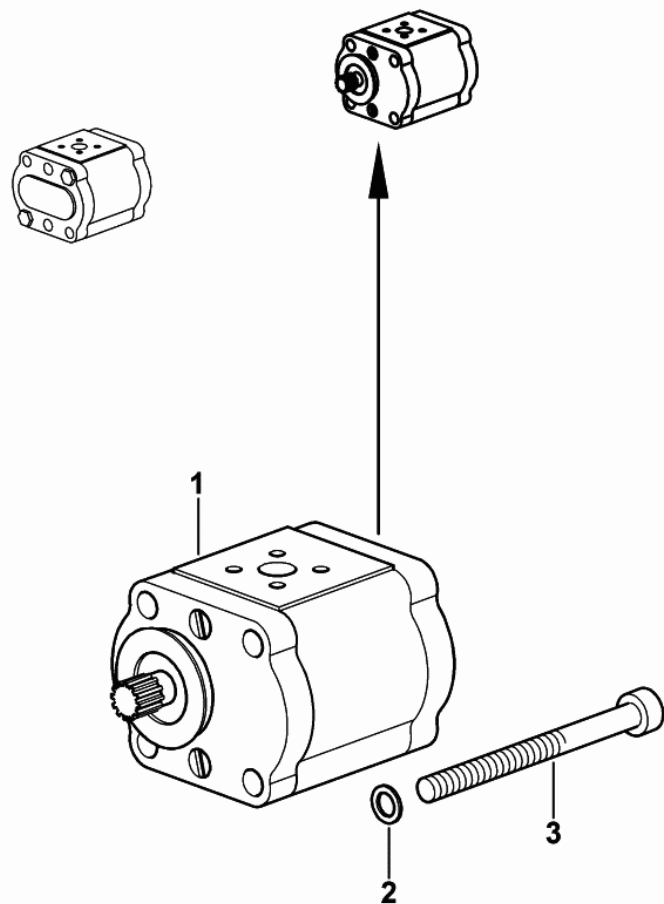
HYDRAULIC PUMP 22.5 cc - DX

Fig.	Code	QTY	Name
1	2.4539.620.0	1	pump 22.5 cc - BOSCH ☞ 610 => 610
2	2.1480.015.2	2	washer 10
3	2.0169.019.2	2	screw m 10x135

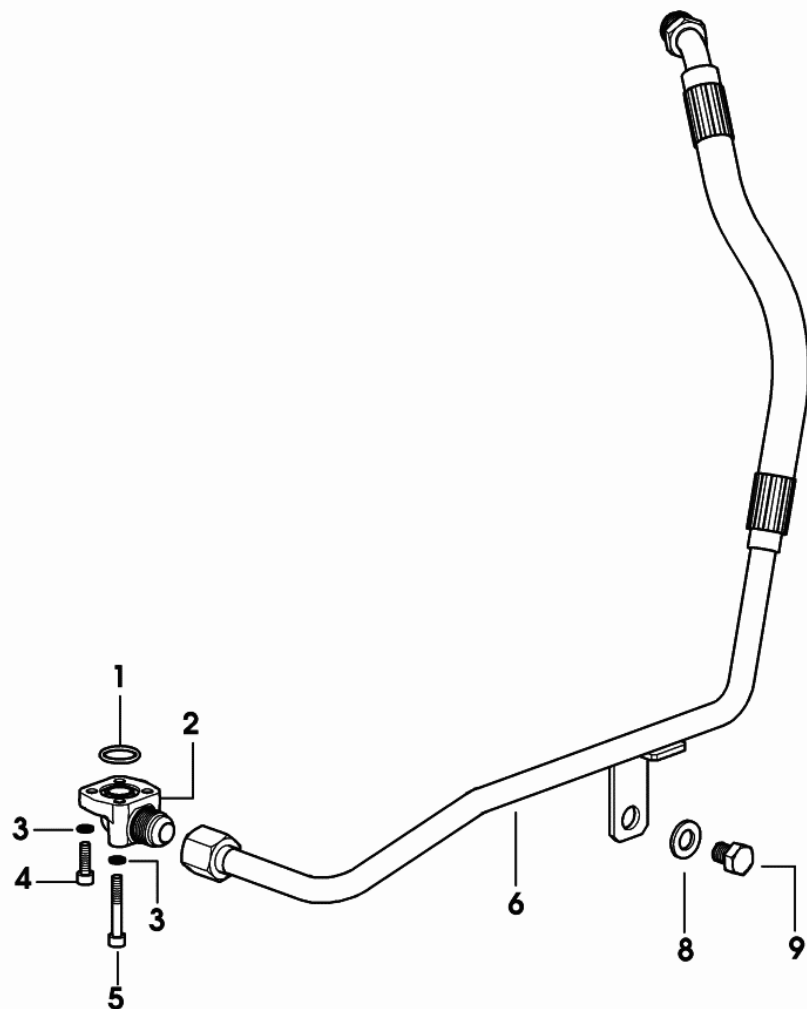
EXPLORER 75 T

Section: POWER STEERING - HYDRAULIC SYSTEM

Ref.: 298

DELIVERY PIPE 14 cc

Fig.	Code	QTY	Name
1	2.1531.052.0	1	'o' ring 20.29x2.62
2	0.008.9626.0	1	pipe fitting
3	2.1480.012.2	4	washer 6
4	2.0312.106.2	2	screw m 6 p.1x20
5	2.0312.114.2	2	screw m 6 p.1x40
6	0.014.3146.3	1	tube
8	2.1310.007.2	1	flat washer 13x24
9	2.0112.404.2	1	screw m 12 p.1.75x14



9_C2282_42_0_0

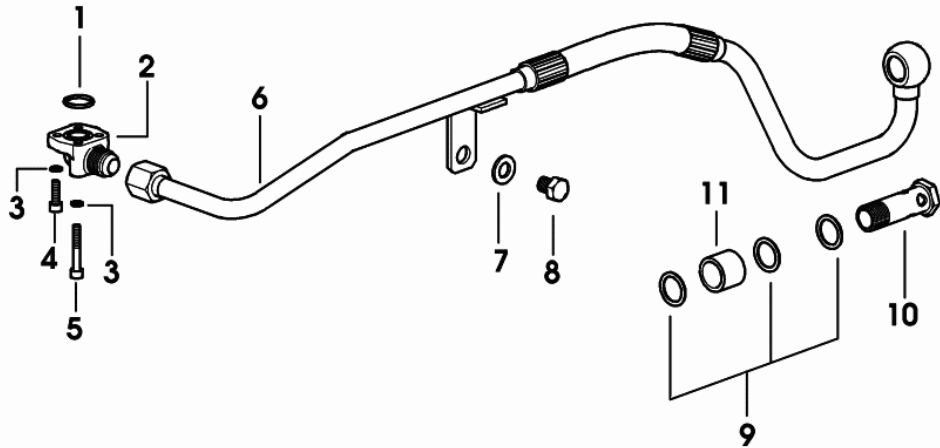
EXPLORER 75 T

Section: POWER STEERING - HYDRAULIC SYSTEM

Ref.: 299

DELIVERY PIPE 14 cc - FOR TYPES WITH HYDRAULIC BRAKES

Fig.	Code	QTY	Name
1	2.1531.052.0	1	'o' ring 20.29x2.62
2	0.008.9626.0	1	pipe fitting
3	2.1480.012.2	4	washer 6
4	2.0312.106.2	2	screw m 6 p.1x20
5	2.0312.114.2	2	screw m 6 p.1x40
6	0.014.3103.3	1	tube
7	2.1310.007.2	1	flat washer 13x24
8	2.0112.404.2	1	screw m 12 p.1.75x14
9	2.1560.018.0	3	gasket 22.2x29
10	2.3339.880.2/10	1	connection
11	2.1579.681.2	1	spacer 22.8x30x25



9_C2282_46_0_0

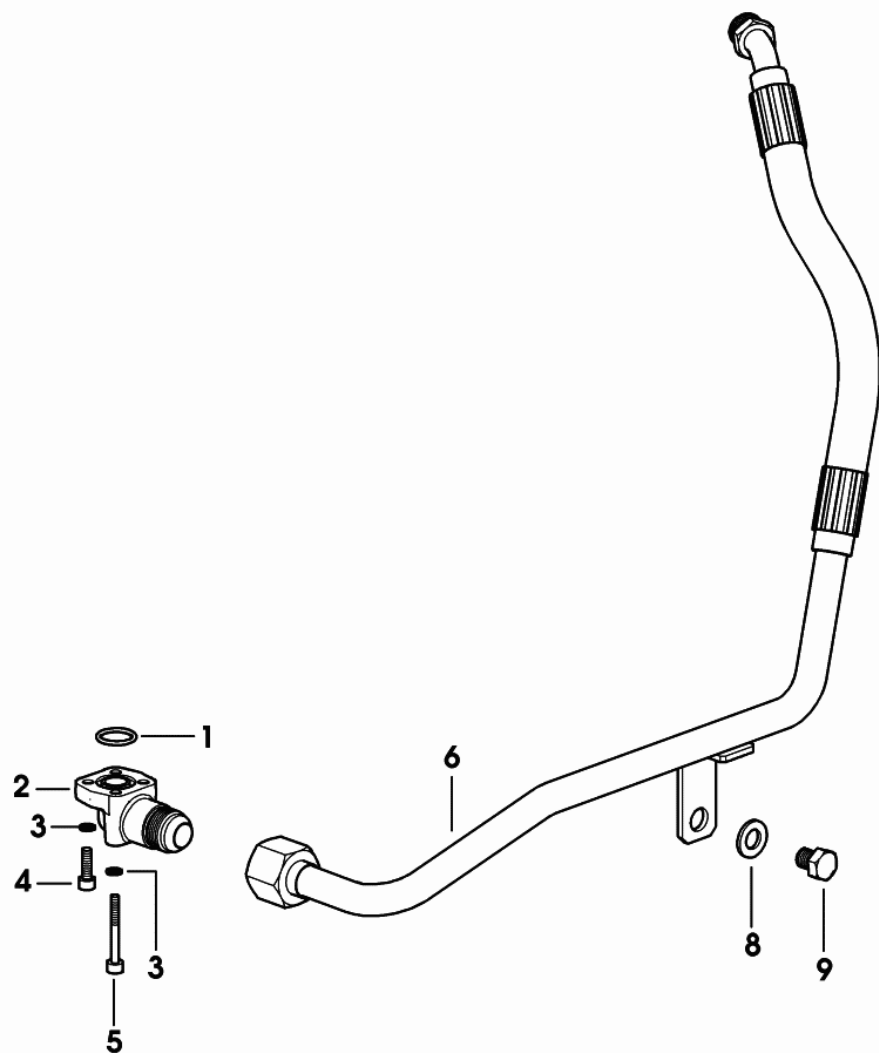
EXPLORER 75 T

Section: POWER STEERING - HYDRAULIC SYSTEM

Ref.: 300

DELIVERY PIPE 22.5 cc

Fig.	Code	QTY	Name
1	2.1531.052.0	1	'o' ring 20.29x2.62
2	0.012.7294.0	1	flange
3	2.1480.012.2	4	washer 6
4	2.0312.106.2	2	screw m 6 p.1x20
5	2.0312.115.2	2	screw m 6 p.1x45
6	0.014.2687.3/10	1	tube
8	2.1310.007.2	1	flat washer 13x24
9	2.0112.404.2	1	screw m 12 p.1.75x14



9_C2282_44_0_0

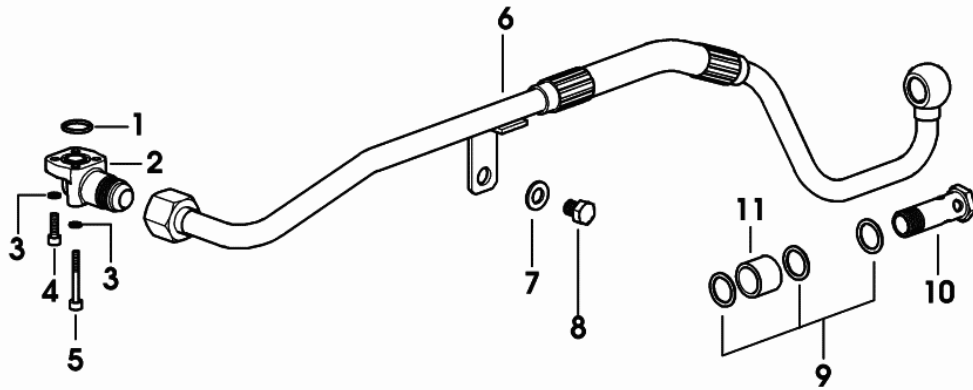
EXPLORER 75 T

Section: POWER STEERING - HYDRAULIC SYSTEM

Ref.: 301

DELIVERY PIPE 22.5 cc - FOR TYPES WITH HYDRAULIC BRAKES

Fig.	Code	QTY	Name
1	2.1531.052.0	1	'o' ring 20.29x2.62
2	0.012.7294.0	1	flange
3	2.1480.012.2	4	washer 6
4	2.0312.106.2	2	screw m 6 p.1x20
5	2.0312.115.2	2	screw m 6 p.1x45
6	0.014.3097.3	1	tube
7	2.1310.007.2	1	flat washer 13x24
8	2.0112.404.2	1	screw m 12 p.1.75x14
9	2.1560.018.0	3	gasket 22.2x29
10	2.3339.880.2/10	1	connection
11	2.1579.681.2	1	spacer 22.8x30x25



9_C2282_48_0_0

EXPLORER 75 T

Section: POWER STEERING - HYDRAULIC SYSTEM

Ref.: 309

HYDRAULIC SYSTEM SYNCRO POWER

9_50882_02_0_0

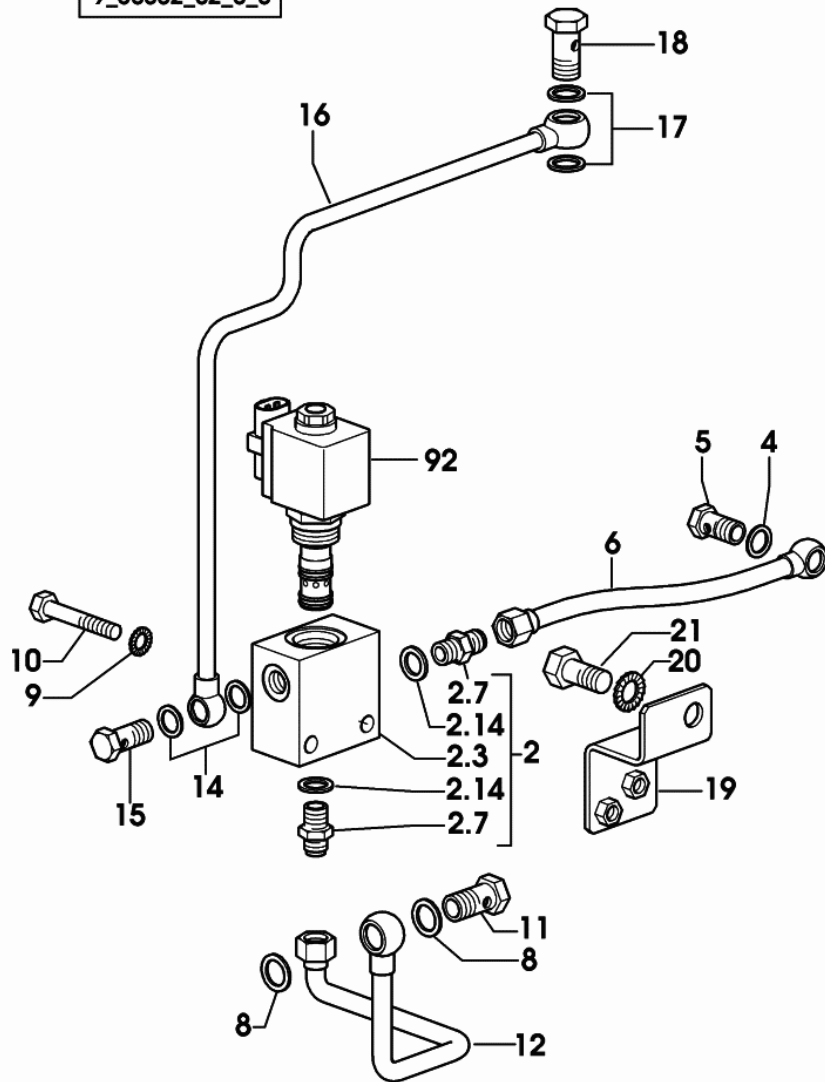


Fig.	Code	QTY	Name
2	0.008.3440.6/30	1	body
2.3	0.009.2139.0	1	valve body
2.7	2.3339.453.2	2	pipe fitting m 12 p.1.25-1/2"
2.14	2.1560.008.0	2	gasket 12.2x18
4	2.1560.008.0	1	gasket 12.2x18
5	2.3335.005.2	1	pipe union m 12 p.1.5x24
6	0.006.6369.3/10	1	tube
8	2.1560.010.0	2	gasket 14.2x20
9	2.1470.004.2	1	lock washer 8
10	2.0112.219.2	1	screw m 8 p.1.25x50
11	2.3335.006.2	1	pipe union m 14 p.1.5
12	0.006.6370.3/10	1	tube
14	2.1560.008.0	2	gasket 12.2x18
15	2.3339.489.2	1	pipe union m 12 p.1.25
16	0.006.6371.3/10	1	tube
17	2.1560.010.0	2	gasket 14.2x20
18	2.3335.006.2	1	pipe union m 14 p.1.5
19	0.006.6198.2/20	1	plate
20	2.1470.007.2	1	lock washer 12
21	2.0112.409.2	1	screw m 12 p.1.75x25
92	2.3729.697.0	1	electro valve 13V - 20W
			☞ 613
			=> 613

EXPLORER 75 T

Section: POWER STEERING - HYDRAULIC SYSTEM

Ref.: 311

PLUG - FOR TYPES WITHOUT SYNCRO POWER

Fig.	Code	QTY	Name
1	2.3110.402.1	1	plug m 12 p.1.5x10



1

9_C2282_18_0_0

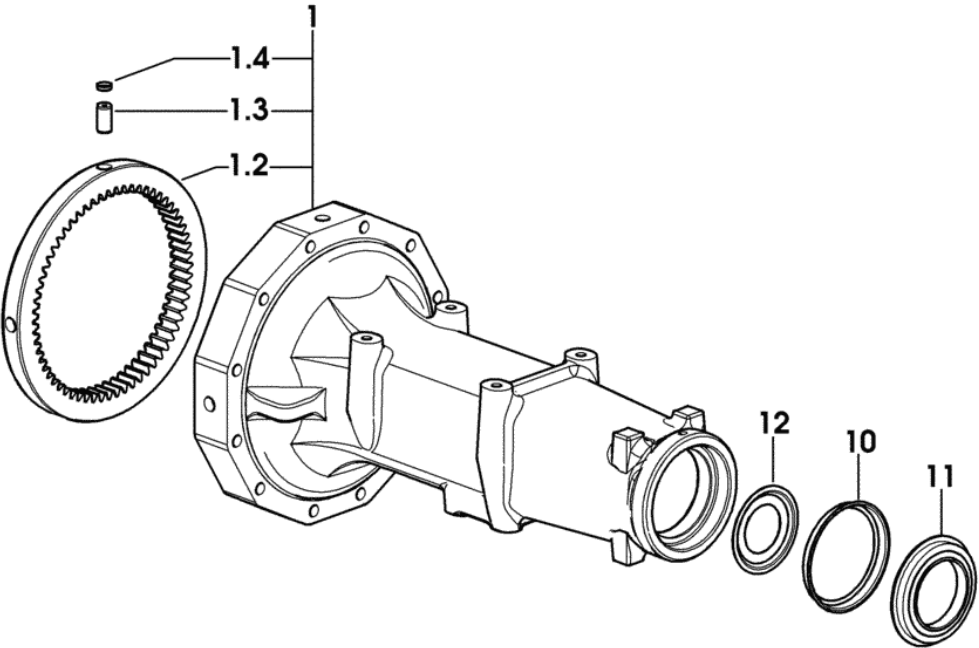
EXPLORER 75 T

REAR AXEL

REAR AXLE WATER PROOF.....	156
REAR AXLE.....	157
REAR AXLE - MOUNTINGS.....	160
HANDBRAKE BRACKET FOR TRAILER.....	162
REAR REDUCTION GEARS AND AXLE SHAFTS.....	163
REAR REDUCTION GEARS AND AXLE SHAFTS.....	165
BRAKE CONTROLS.....	167
BRAKE PIPES.....	168
BLAKES BLOCK.....	171
RELAY VALVE.....	172
REAR BRAKES.....	173
REAR BRAKES.....	174
INDEPENDENT HAND BRAKE.....	176
HAND BRAKE.....	178
HAND BRAKE - FOR TRACTORS WITH HYDRAULIK BREAKING FOR TRAILER.....	179
HAND BRAKE.....	184

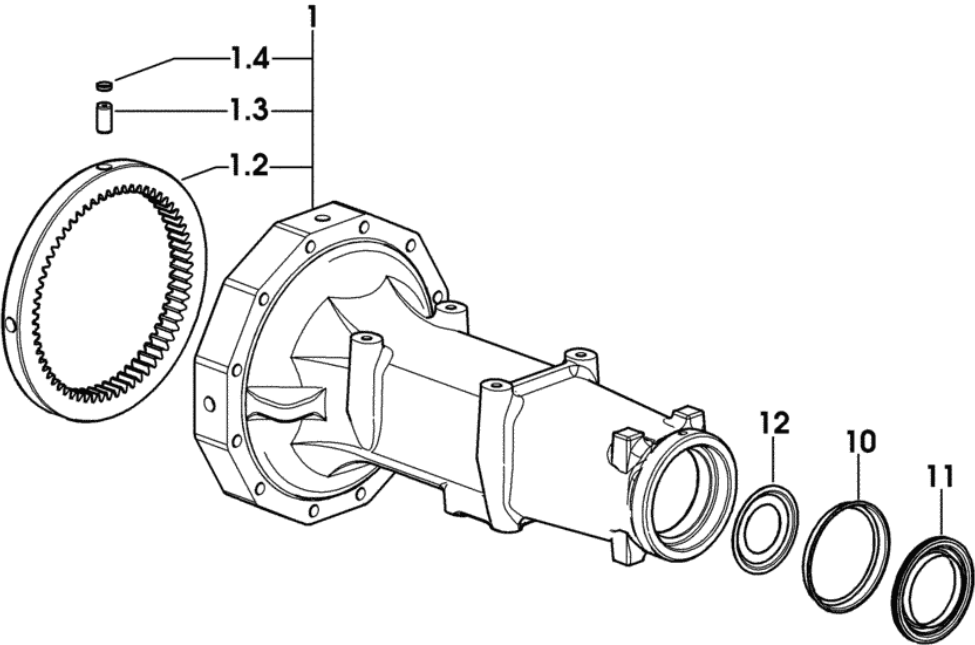
Section: REAR AXEL
REAR AXLE WATER PROOF

Fig.	Code	QTY	Name
1	0.255.4410.3/60	2	wheel support
1.2	0.255.4420.0/20	1	crown wheel
1.3	2.1699.259.0	4	pin 16x30
1.4	2.3171.006.4	4	plug 16
10	0.255.4450.0	2	cup
11	2.1529.105.0/10	2	'o' ring
12	0.255.4451.0	2	cup



Section: REAR AXEL
REAR AXLE

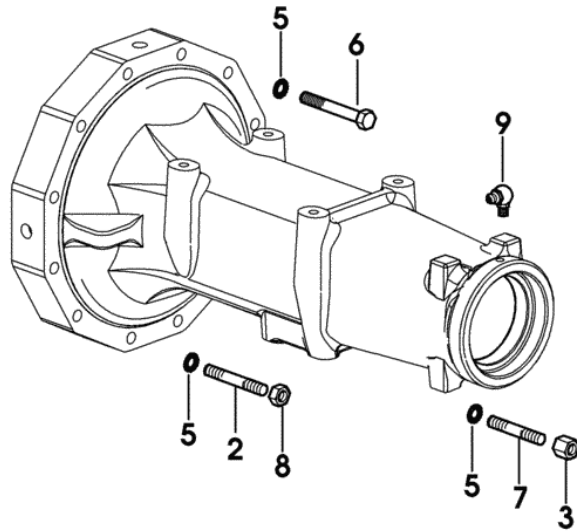
Fig.	Code	QTY	Name
1	0.255.4410.3/60	2	wheel support
1.2	0.255.4420.0/20	1	crown wheel
1.3	2.1699.259.0	4	pin 16x30
1.4	2.3171.006.4	4	plug 16
10	0.255.4450.0	2	cup
11	2.1569.104.0	2	'o' ring 80x118.2x12
12	0.255.4451.0	2	cup



Section: REAR AXEL

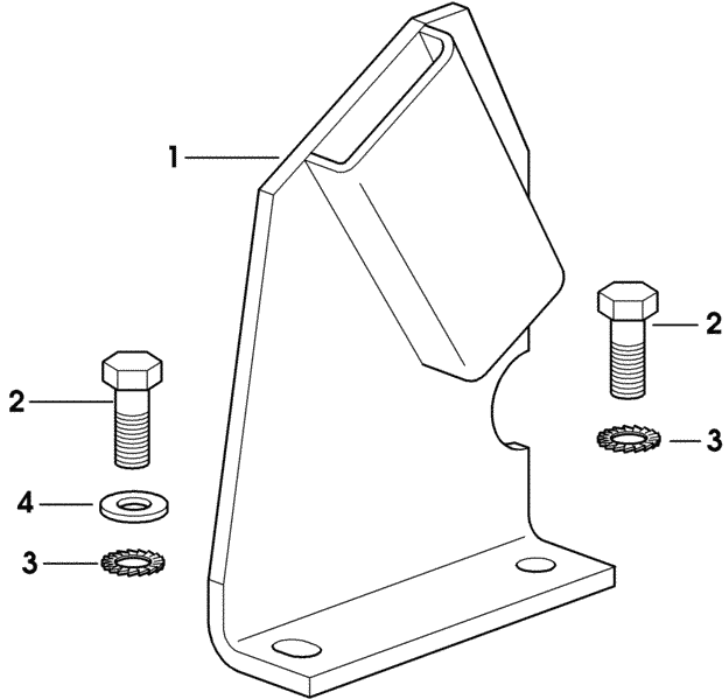
REAR AXLE - MOUNTINGS

Fig.	Code	QTY	Name
2	2.0422.425.7	2	stud bolt
3	2.1099.110.2/10	1	small block
5	2.1470.007.2	24	lock washer 12
6	2.0112.427.2	19	screw m 12 p.1.75x90
7	2.0422.422.7	3	stud bolt m 12x85
8	2.1011.107.2	4	nut m 12 p.1.75
9	2.3821.103.2	2	lubricator m 10 p.1



Section: REAR AXEL
HANDBRAKE BRACKET FOR TRAILER

Fig.	Code	QTY	Name
1	0.008.8480.2	1	bracket
2	2.0112.309.2	2	screw m 10 p.1.5x25
3	2.1470.006.2	2	lock washer 10
4	2.1310.006.2	2	flat washer 10.5x20

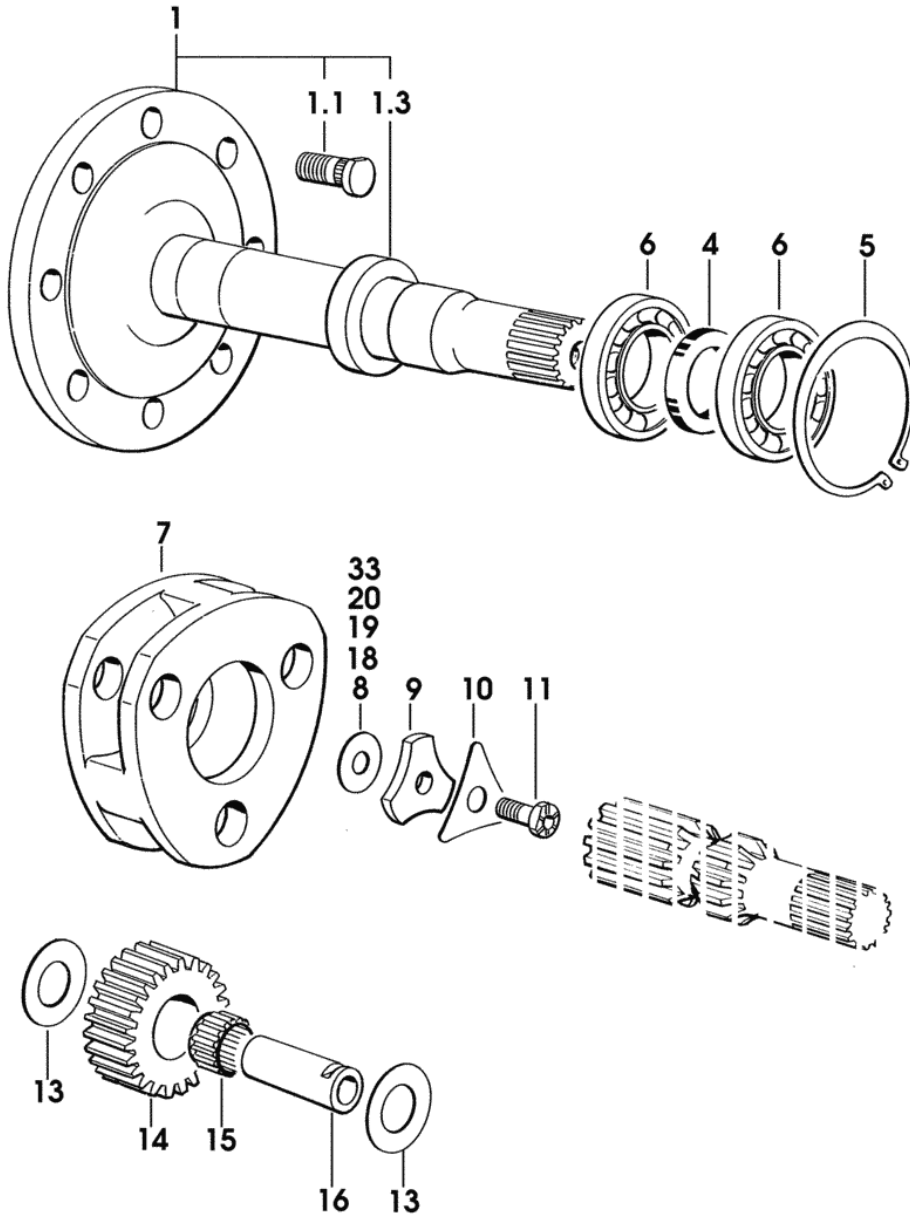


9_50844_20_0_0

Section: REAR AXEL

REAR REDUCTION GEARS AND AXLE SHAFTS

Fig.	Code	QTY	Name
1	0.255.4734.3/50	2	half-shaft
1.1	0.148.4737.0/20	8	small column m 20x68
1.3	0.270.4751.0	1	spacer
4	2.1510.329.0	2	'o' ring 55x80x10
5	2.1410.042.1	2	circlip 110
6	2.2520.012.0	4	roller bearing 55x100x22.75
7	0.255.4741.0/20	2	spider
8	2.1589.108.0	2	shim 14.5x41x0.2
9	0.255.4745.0	2	spacer
10	0.255.4750.0/10	2	washer
11	2.0139.014.1	2	screw m 14 p.1.5x33
13	2.1589.110.0	2	shim 32x60x1
14	0.255.4743.0	6	planet gear z=24
15	2.2999.136.0	6	roller cage 32x46x10
16	0.255.4725.0	6	pin
18	2.1589.106.0	6	shim 14.5x41x1
19	2.1589.107.0	2	shim 14.5x41x0.5
20	2.1589.109.0	2	shim 14.5x41x0.1
33	2.1589.246.0	2	shim 14.5x41x0.15

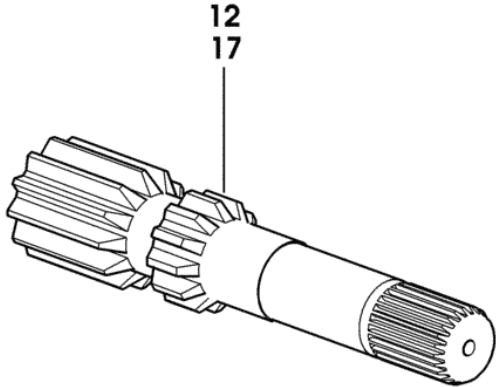


9_51147_10_0_0

Section: REAR AXEL

REAR REDUCTION GEARS AND AXLE SHAFTS

Fig.	Code	QTY	Name
12	0.255.4731.0/10	1	reduction shaft sx
17	0.255.4730.0/10	1	reduction shaft dx



Section: REAR AXEL
BRAKE CONTROLS

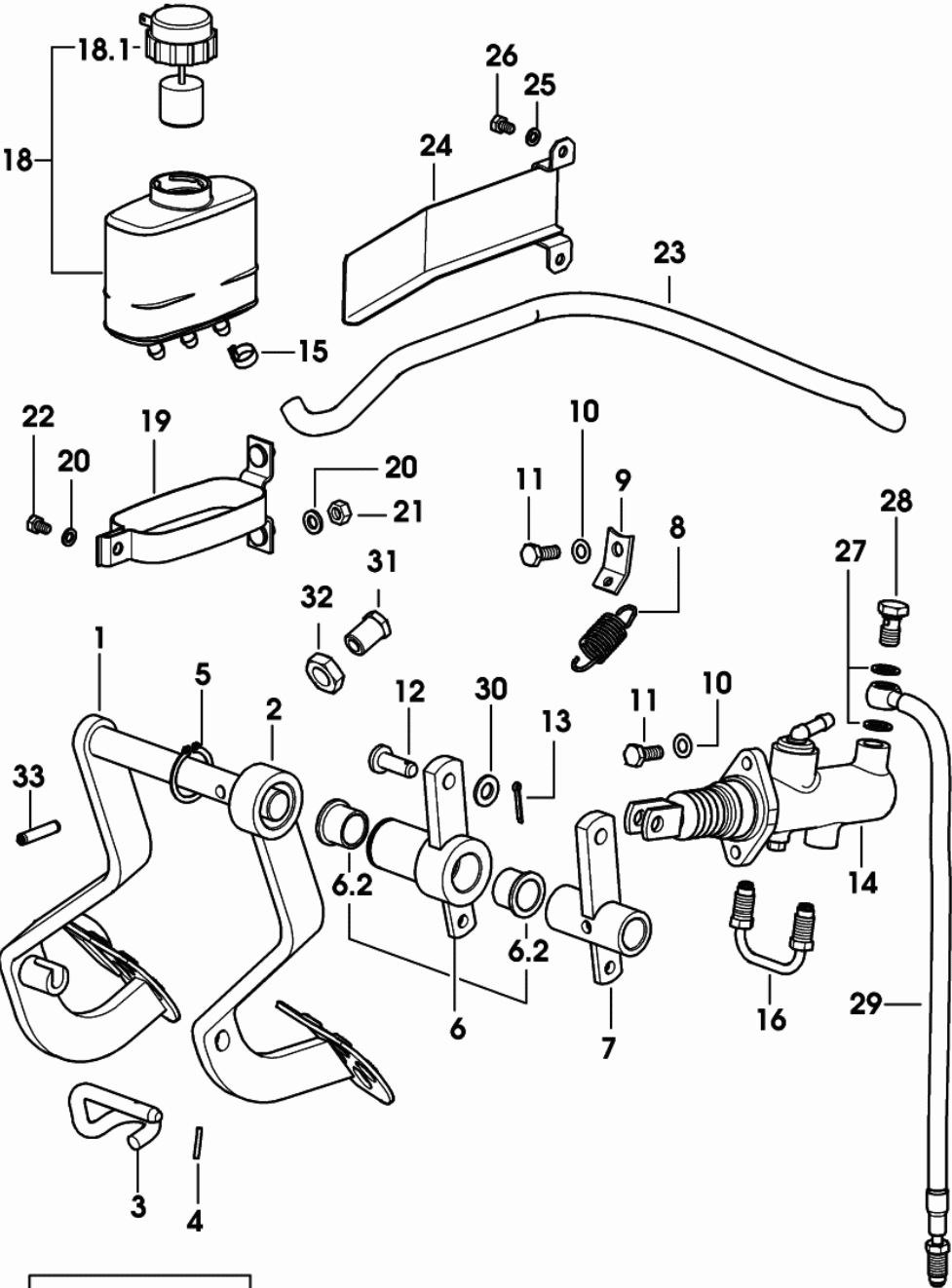
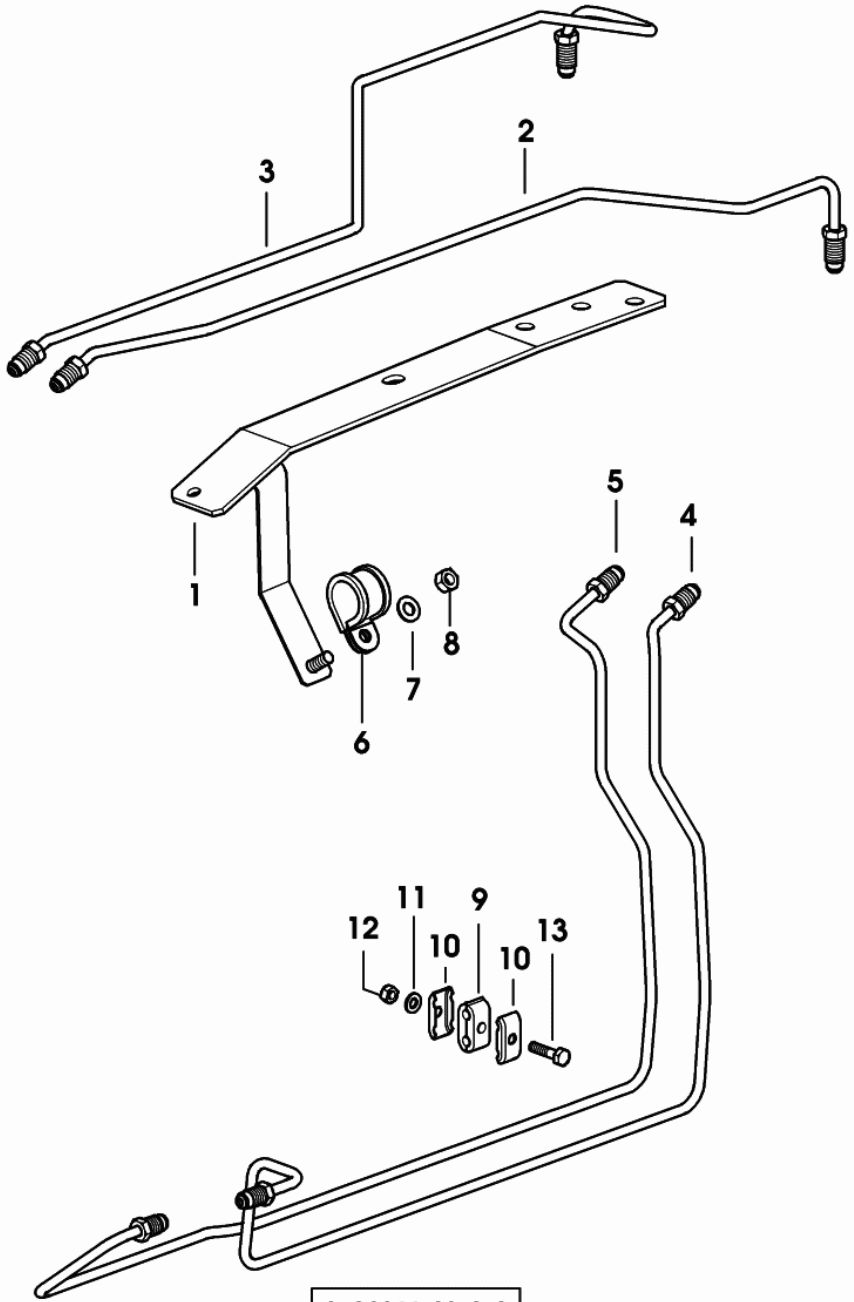


Fig.	Code	QTY	Name
1	0.014.1533.3	1	pedal dx
2	0.007.3779.3/40	1	pedal sx
3	0.226.6613.0	1	pin
4	2.1630.210.9	1	pin 3x20
5	2.1410.013.1	1	circlip 32
6	0.007.3782.3/10	1	brake lever dx
6.2	2.1559.271.0	2	sleeve 20x30x20
7	0.007.3783.2/10	1	lever sx
8	2.4049.161.2	2	spring 18x41x2
9	0.009.8376.0	2	small plate
10	2.1470.004.2	4	lock washer 8
11	2.0112.207.2	4	screw m 8 p 1.25x20
12	2.1671.407.2	2	pin 10x28
13	2.1690.308.2	2	split pin 3.2x20
14	0.009.9234.4	2	brake cylinder
15	2.6857.019.0	4	clamp 14
16	0.255.6660.3/10	1	tube
18	0.255.6694.4/20	1	tank
18.1	0.257.6654.3/10	1	plug
19	0.257.6662.2	1	clamp
20	2.1310.002.2	3	flat washer 6.4x12.5
21	2.1011.103.2	2	nut m 6 p.1
22	2.0112.005.2	1	screw m 6 p.1x16
23	0.012.6343.0	0	tube
24	0.014.3233.2/10	1	channel
25	2.1470.002.2	2	lock washer 6
26	2.0112.002.2	2	screw m 6 p.1x10
27	2.1560.008.0	4	gasket 12.2x18
28	2.3339.431.2/10	2	pipe union m 12 p.1.25
29	0.014.2498.3	2	tube
30	2.1310.006.2	2	flat washer 10.5x20
31	0.012.5596.0/20	1	bushing
32	2.1011.509.2	1	nut m 16 p.1.5
33	2.1632.715.2	1	pin

9_C2366_00_0_0

Section: REAR AXEL
BRAKE PIPES



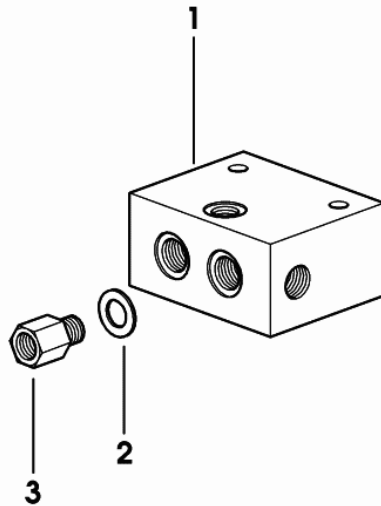
9_C2266_02_0_0

Fig.	Code	QTY	Name
1	0.014.2128.3/10	1	bracket
2	0.014.2464.3/10	1	tube
3	0.014.2465.3/10	1	tube
4	0.014.2468.3	1	tube
5	0.014.2467.3	1	tube
6	2.6839.054.0	1	clamp 25/20
7	2.1310.004.2	1	flat washer 8.4x16
8	2.1011.105.2	1	nut m 8 p.1.25
9	0.013.1564.0	2	terminal
10	0.013.1566.0	4	small plate
11	2.1310.002.2	2	flat washer 6.4x12.5
12	2.1011.103.2	2	nut m 6 p.1
13	2.0112.009.2	2	screw m 6 p.1x25

Section: REAR AXEL

BLAKES BLOCK

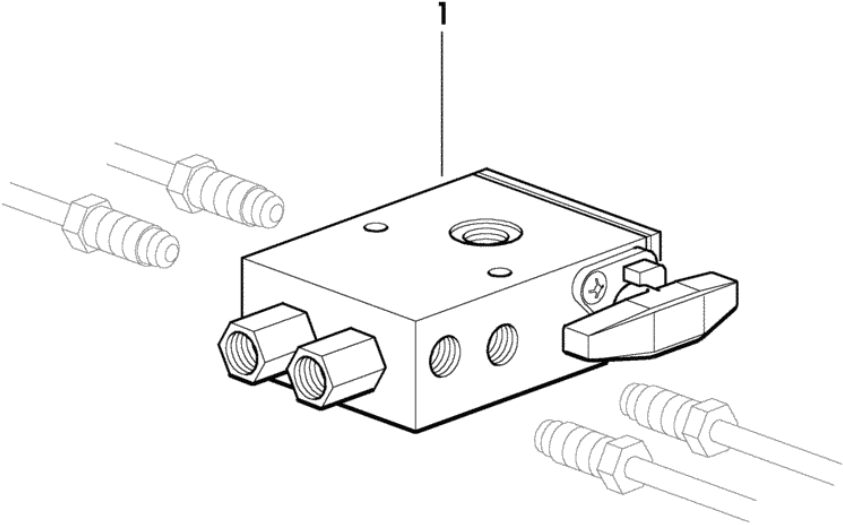
Fig.	Code	QTY	Name
1	0.445.6676.0/10	1	small block
2	2.1560.008.0	2	gasket 12.2x18 -> 1096 X EXPLORER 75T -> 1077 X EXPLORER 85T -> 1118 X EXPLORER 95T
3	2.3249.029.2	2	pipe fitting m 12 p.1,25x26.5 -> 1096 X EXPLORER 75T -> 1077 X EXPLORER 85T -> 1118 X EXPLORER 95T



9_49066_10_0_0

Section: REAR AXEL
RELAY VALVE

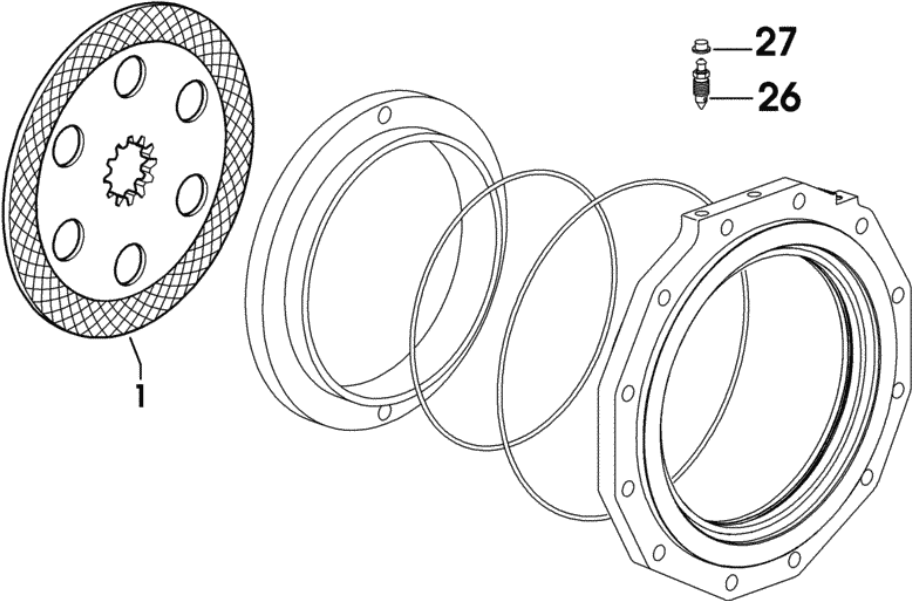
Fig.	Code	QTY	Name
1	0.008.8673.4/20	1	valve



9_50866_02_0_0

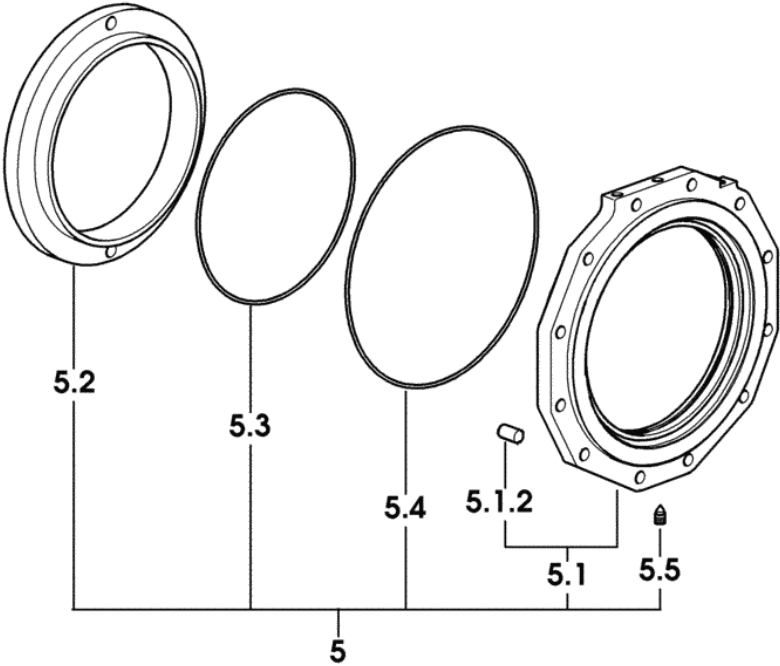
Section: REAR AXEL
REAR BRAKES

Fig.	Code	QTY	Name
1	0.009.7066.2	2	brake disc
26	0.170.5455.0	2	fuse
27	2.3199.039.0	2	plug 6.5x7.25



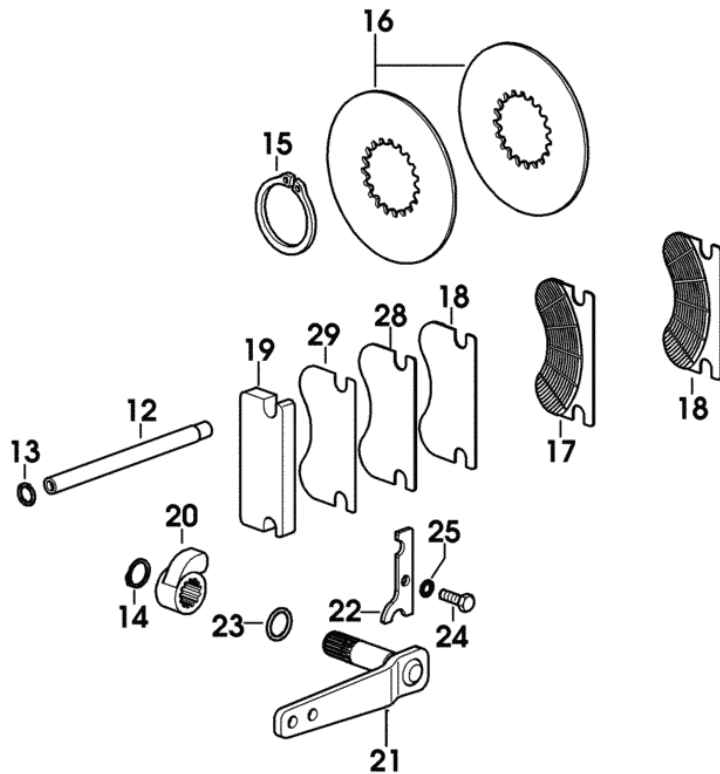
Section: REAR AXEL
REAR BRAKES

Fig.	Code	QTY	Name
5	0.000.0000.1	0	not serviceable
5.1	0.255.5430.3/80	1	box 1123 <- X EXPLORER 75 T 1022 <- X EXPLORER 75 TB 1141 <- X EXPLORER 95 TB
5.1	0.255.5430.3/90	1	box -> 1124 X EXPLORER 75T -> 1023 X EXPLORER 75TB X EXPLORER 85TB -> 1142 X EXPLORER 95TB
5.1.2	2.1699.190.0	2	pin 14x28
5.2	0.255.5448.0/20	1	piston
5.3	2.1539.180.0	1	'o' ring 228x3.53
5.4	2.1539.179.0	1	'o' ring 279x3.53
5.5	2.3139.013.7	1	plug



Section: REAR AXEL
INDEPENDENT HAND BRAKE

Fig.	Code	QTY	Name
12	0.255.5450.0	2	small column
13	2.1530.034.0	1	'o' ring 13.95x2.62
14	2.1410.006.1	1	circlip 20
15	2.1410.022.1	1	circlip 55
16	0.255.5452.0	2	brake disc 150
17	0.171.5459.2	1	sector
18	0.171.5451.2	2	sector
19	0.188.5459.0/20	1	plate
20	0.171.5453.0	1	lever
21	0.255.5451.2	1	lever
22	0.255.5453.0	1	small plate
23	2.1530.043.0	1	'o' ring 17.13x2.62
24	2.0112.207.2	1	screw m 8 p 1.25x20
25	2.1470.004.2	1	lock washer 8
28	0.011.5484.0	1	shim mm 1
29	0.011.5486.0	1	shim mm 2



9_50854_00_0_B

Section: REAR AXEL

HAND BRAKE

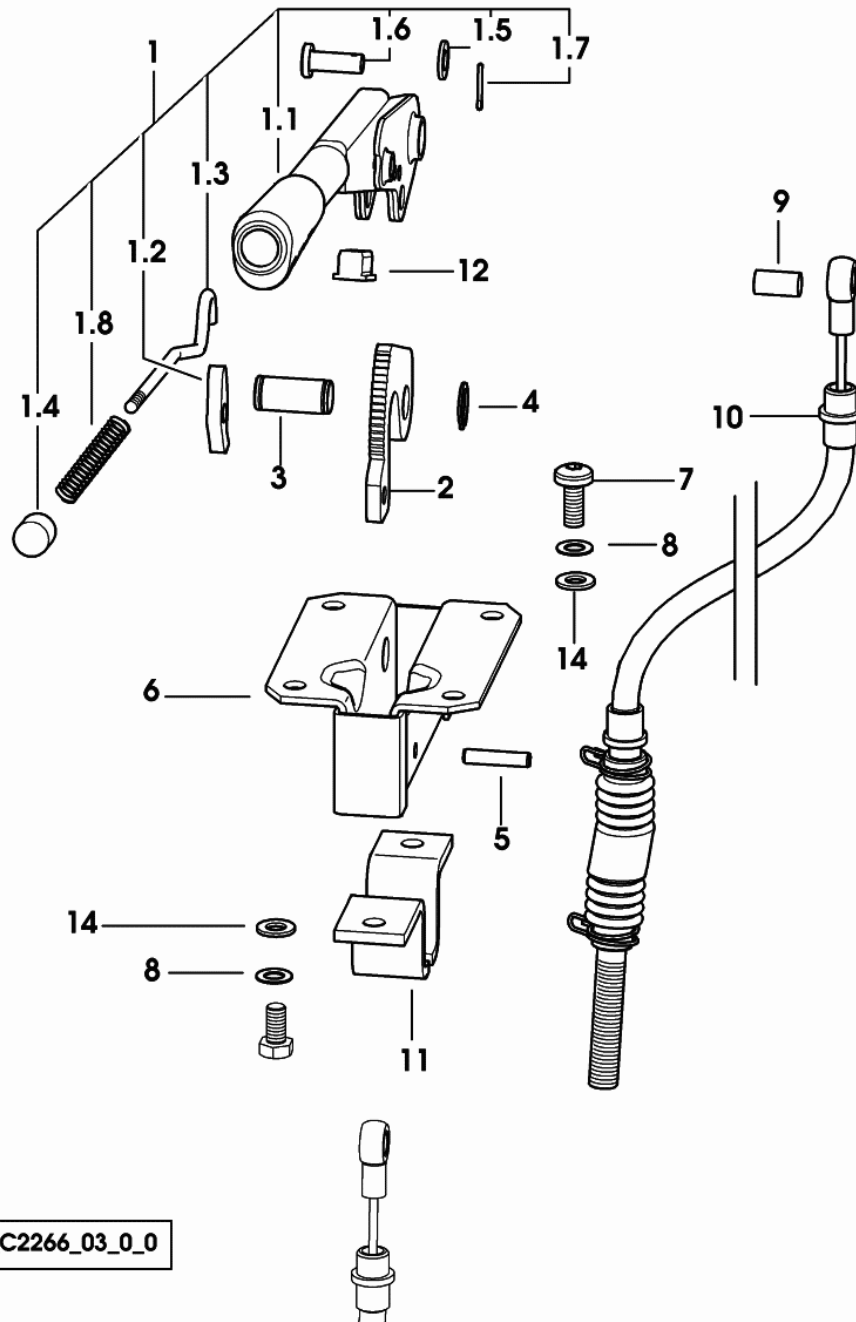


Fig.	Code	QTY	Name
1	0.200.6658.4/30	1	h/brake lever
1.1	0.000.0000.1	0	not serviceable
1.2	0.200.6623.0/20	1	ratchet
1.3	0.171.6621.0/10	1	rod
1.4	0.171.6622.0	1	push-button
1.5	2.1310.004.2	1	flat washer 8.4x16
1.6	2.1671.305.2	1	pin 8x22
1.7	2.1690.206.2	1	split pin 2x16
1.8	2.4019.555.2	1	spring 14x130x1.3
2	0.257.6624.0	1	sector
3	2.1699.182.0/10	1	pin
4	2.1410.003.1	1	circlip 14
5	2.1630.612.0	1	roll pin 6x28
6	0.451.6656.2/10	1	support
7	2.0330.507.2	4	screw m 8x20
8	2.1470.004.2	6	lock washer 8
9	2.1699.183.0	1	pin
10	0.014.2457.4	1	cable
11	0.264.6650.0	1	stop
12	0.264.6655.0/10	1	small block
14	2.1310.004.2	2	flat washer 8.4x16

9_C2266_03_0_0

Section: REAR AXEL

HAND BRAKE - FOR TRACTORS WITH HYDRAULIK BREAKING FOR TRAILER

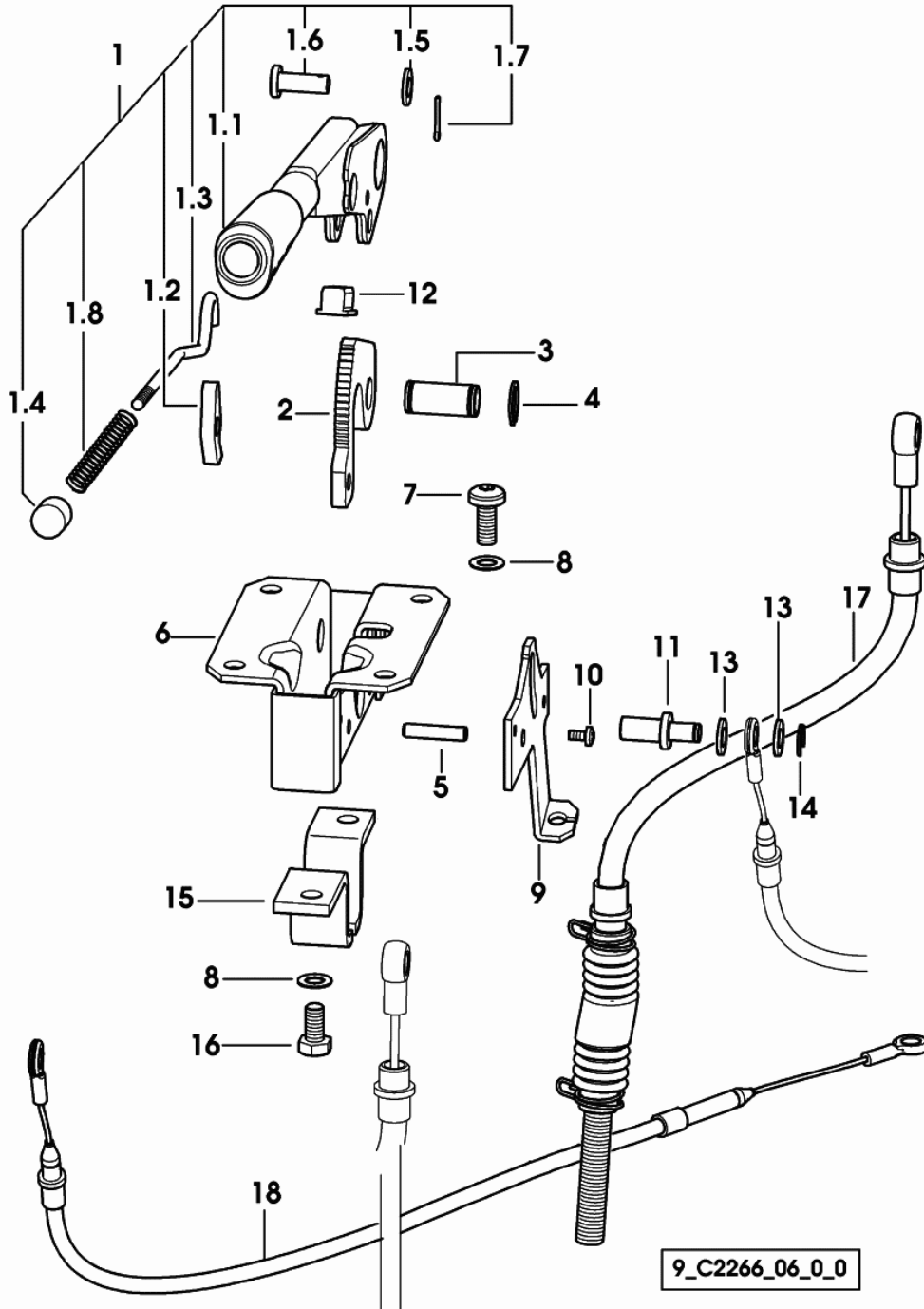
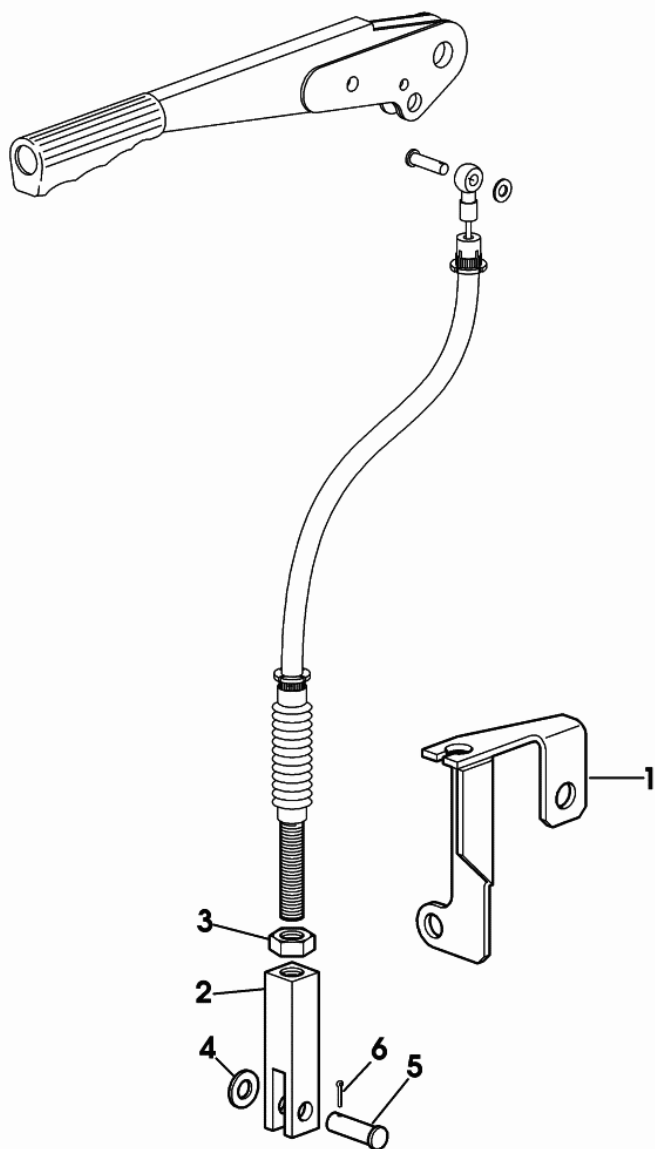


Fig.	Code	QTY	Name
1	0.200.6658.4/30	1	h/brake lever
1.1	0.000.0000.1	0	not serviceable
1.2	0.200.6623.0/20	1	ratchet
1.3	0.171.6621.0/10	1	rod
1.4	0.171.6622.0	1	push-button
1.5	2.1310.004.2	1	flat washer 8.4x16
1.6	2.1671.305.2	1	pin 8x22
1.7	2.1690.206.2	1	split pin 2x16
1.8	2.4019.555.2	1	spring 14x130x1.3
2	0.257.6624.0	1	sector
3	2.1699.182.0/10	1	pin
4	2.1410.003.1	4	circlip 14
5	2.1630.612.0	1	roll pin 6x28
6	0.014.3158.3	1	support
7	2.0330.507.2	4	screw m 8x20
8	2.1470.004.2	6	lock washer 8
9	0.014.3162.0	1	bracket
10	2.0332.202.2	2	screw m 4x8
11	2.1699.580.2	1	pin
12	0.264.6655.0/10	1	small block
13	2.1310.004.2	2	flat washer 8.4x16
14	2.1430.008.7	1	circlip 7
15	0.014.3157.0	1	bracket
16	2.0112.205.2	2	screw m 8 p.1.25x16
17	0.014.2457.4	1	cable
18	0.007.7342.3/10	1	cable

Section: REAR AXEL

HAND BRAKE

Fig.	Code	QTY	Name
1	0.008.3229.2/10	1	plate
2	2.3519.056.0	1	fork
3	2.1011.207.2	1	nut m 12 p.1.5
4	2.1310.007.2	1	flat washer 13x24
5	2.1671.409.2	1	pin
6	2.1690.307.2	1	split pin 3.2x18



9_40566_00_0_0

EXPLORER 75 T

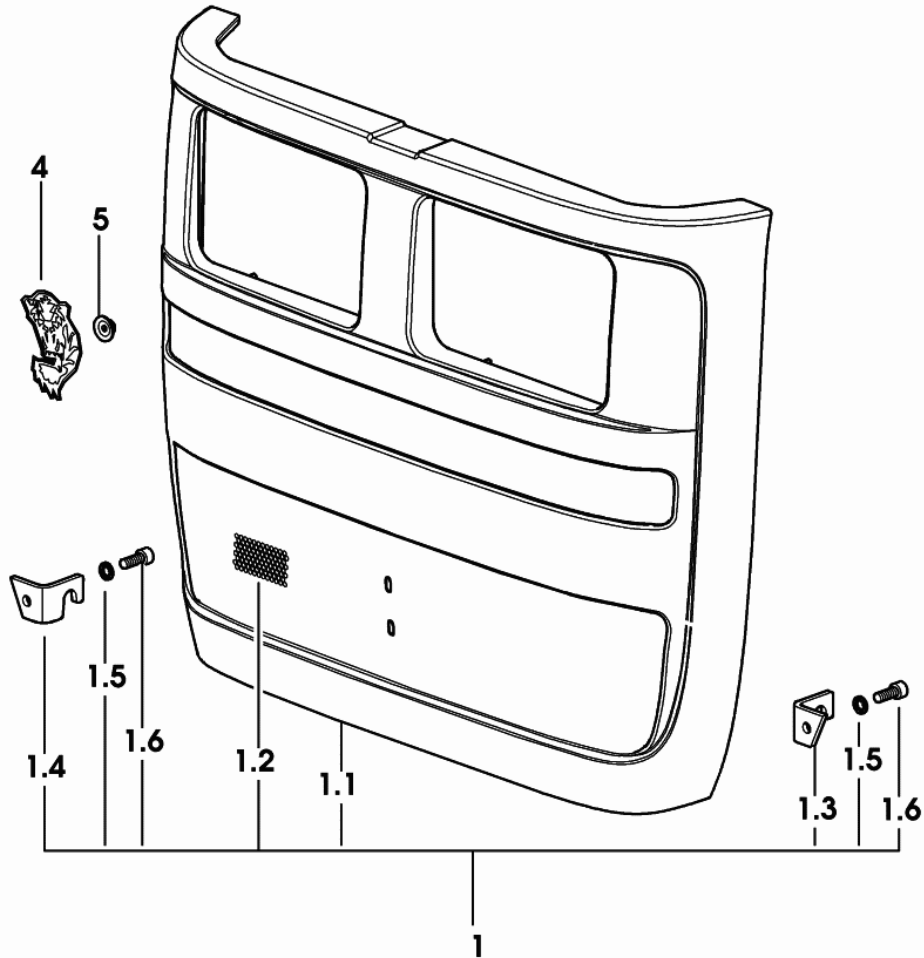
BODY WORK

HOOD FRONT PART.....	312
HOOD UPPER PART.....	313
HOOD PLUG.....	314
HOOD - LEFT SIDE PANEL.....	315
HOOD - RIGHT SIDE PANEL.....	316
HOOD SIDE PANEL.....	317
HEAT SHIELD.....	318
HOOD - LEFT SIDE PANEL HOLDER.....	319
HOOD - RIGHT SIDE PANEL.....	320
MODEL PLATE.....	322
HOOD SUPPORT.....	328
HOOD - SUPPORTS.....	329
HOOD SUPPORT.....	330
COOLING SYSTEM.....	333
COOLING SYSTEM.....	334
DASHBOARD.....	339
INSTRUMENT PANEL SURROUND.....	340
FRONT GRIP.....	342
PLATES.....	343
INFORMATION PLATE.....	344
SPEED LABEL 30 Km/h 13.6 R38.....	345
SPEED LABEL 40 Km/h 13.6 R38.....	346
SPEED LABEL 18 MPH 13.6 R38 EXPORT U.S.A.....	347
SPEED LABEL 25 MPH 13.6 R38 EXPORT U.S.A.....	348
SPEED LABEL - 40 KM/H - REFLEX.....	357
BRACKET - SPEED LABEL.....	358
PLATES.....	359
PLATES OCDE.....	360
INFORMATION PLATE.....	361
THROTTLE.....	362
4WD - FRONT MUDGUARDS mm 310.....	363
4WD - FRONT MUDGUARDS mm 355 24".....	364
4WD - FRONT MUDGUARDS mm 355 28".....	365
4WD - FRONT MUDGUARDS mm 400.....	367
PLATFORM.....	369
MAT FOR PLATOFRM.....	371
DEFLECTORS AND SUPPORTS.....	373
SUPPORTS.....	376
FENDER MOUNTINGS.....	379
REAR MUDGUARDS.....	382
MUDGUARDS EXTENSIONS mm 185.....	385

MUDGUARDS EXTENSIONS mm 140.....	386
FENDERS.....	388
BADGE FOR SPLASH GUARDS.....	390
BATTERY SUPPORT.....	392
METAL TOOLBOX.....	393
LICENCE PLATE HOLDER.....	394
REARVIEW MIRROR dx.....	395
REARVIEW MIRROR - SX.....	396
SAFETY ARCH.....	397
SAFETY ARCH.....	398
SAFETY ROLL BAR MOUNTINGS.....	399
SAFETY ARCH.....	403
SAFETY ROLL BAR MOUNTINGS.....	404
SAFETY ARCH.....	405
FUEL TANK.....	410
DRY AIR FILTER.....	413
DRIVER'S SEAT.....	416
SEAT SPRINGING.....	417
SEAT SPRINGING.....	418
DRIVER'S SEAT SABLE - PVC.....	419
SEAT SUPPORT BRACKET.....	420

Section: BODY WORK
HOOD FRONT PART

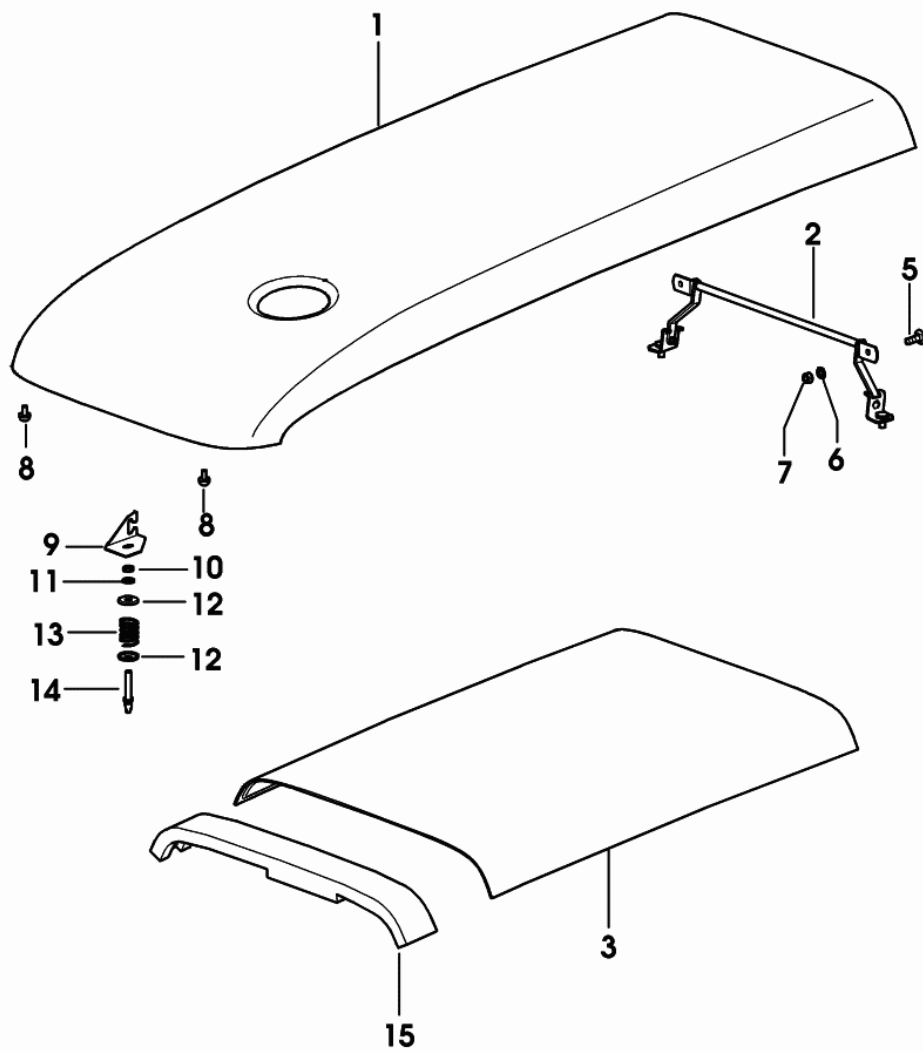
Fig.	Code	QTY	Name
1	0.000.0000.1	0	not serviceable
1.1	0.011.7175.5	1	grille/grid
1.2	0.014.3446.0	1	grille
1.3	0.012.1970.0	1	bracket sx
1.4	0.012.1982.0	1	bracket dx
1.5	2.1472.003.2	2	washer 6
1.6	2.0312.104.2	2	screw m 6 p.1x16
4	0.013.1610.2/10	1	plate SAME
5	2.1129.004.0	2	selflock nut m 4



9_C2372_09_0_0

Section: BODY WORK
HOOD UPPER PART

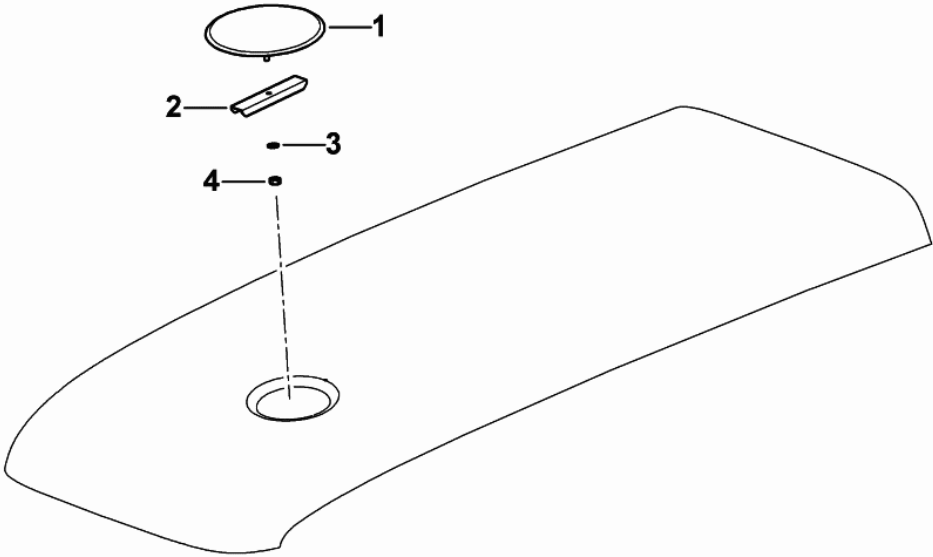
Fig.	Code	QTY	Name
1	0.010.9789.7/10	1	bonnet
2	0.013.4799.4	1	support
3	0.014.3140.0	1	panel
5	2.0020.206.2	2	screw m 8 p.1.25x25
6	2.1470.004.2	2	lock washer 8
7	2.1011.105.2	2	nut m 8 p.1.25
8	0.009.6801.0/10	2	block
9	0.010.0925.0	1	bracket
10	2.1310.004.2	1	flat washer 8.4x16
11	2.1011.205.2	1	nut m 8 p.1.25
12	0.009.7867.0	2	bottom
13	2.4019.616.2/10	1	spring
14	0.013.5751.0	1	pin
15	0.014.2773.0/20	1	gasket



9_C2372_02_0_0

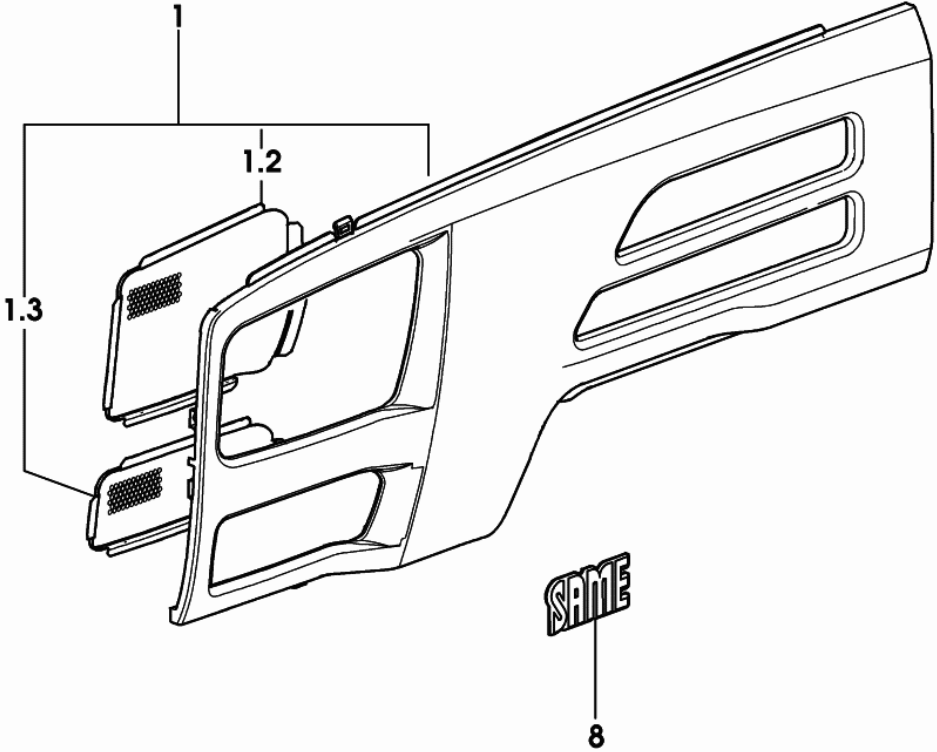
Section: BODY WORK
HOOD PLUG

Fig.	Code	QTY	Name
1	0.009.7673.2/20	1	plug
2	0.009.7672.0	1	crosspiece
3	2.1470.052.2	1	lock washer 4
4	2.1011.101.2	1	nut m 4



Section: BODY WORK
HOOD - LEFT SIDE PANEL

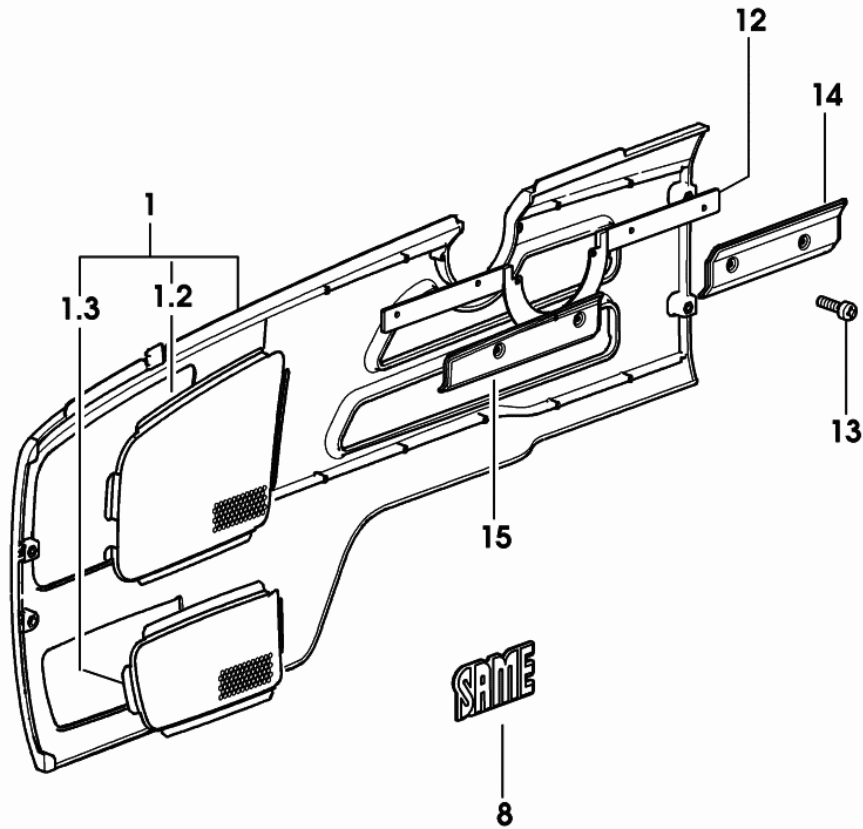
Fig.	Code	QTY	Name
1	0.013.6833.4/10	1	side panel sx
1.2	0.013.4076.0/10	1	grille
1.3	0.013.4081.0/10	1	grille
8	0.270.7228.2	1	plate SAME



9_C2372_04_0_0

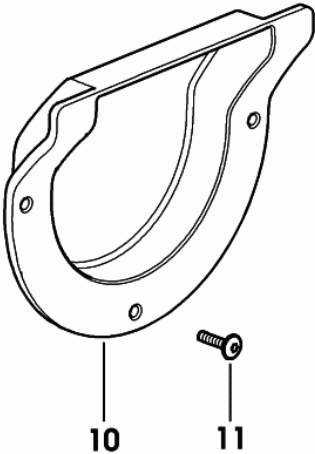
Section: BODY WORK
HOOD - RIGHT SIDE PANEL

Fig.	Code	QTY	Name
1	0.013.6832.4/10	1	side panel dx
1.2	0.013.4080.0/10	1	grille
1.3	0.013.4090.0/10	1	grille
8	0.270.7228.2	1	plate SAME
12	0.014.3283.2	1	brace
13	2.0363.106.2	4	screw
14	0.014.3357.0	1	termal insul.mater.
15	0.014.3356.0	1	termal insul.mater.



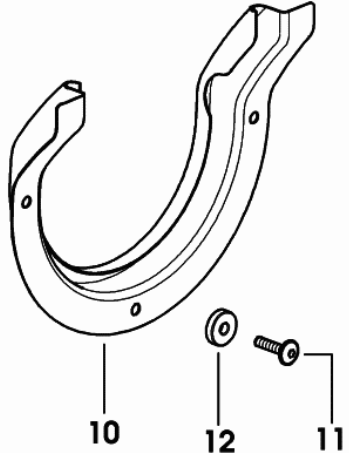
Section: BODY WORK
HOOD SIDE PANEL

Fig.	Code	QTY	Name
10	0.013.5795.0/10	1	division
11	2.0363.106.2	3	screw



Section: BODY WORK
HEAT SHIELD

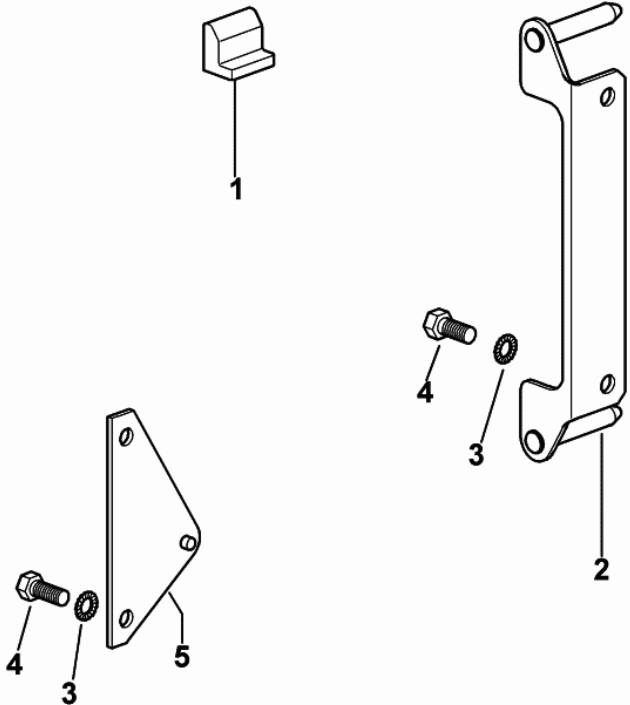
Fig.	Code	QTY	Name
10	0.013.6044.0/10	1	guard
11	2.0363.106.2	3	screw
12	2.1549.625.2	3	spacer



Section: BODY WORK

HOOD - LEFT SIDE PANEL HOLDER

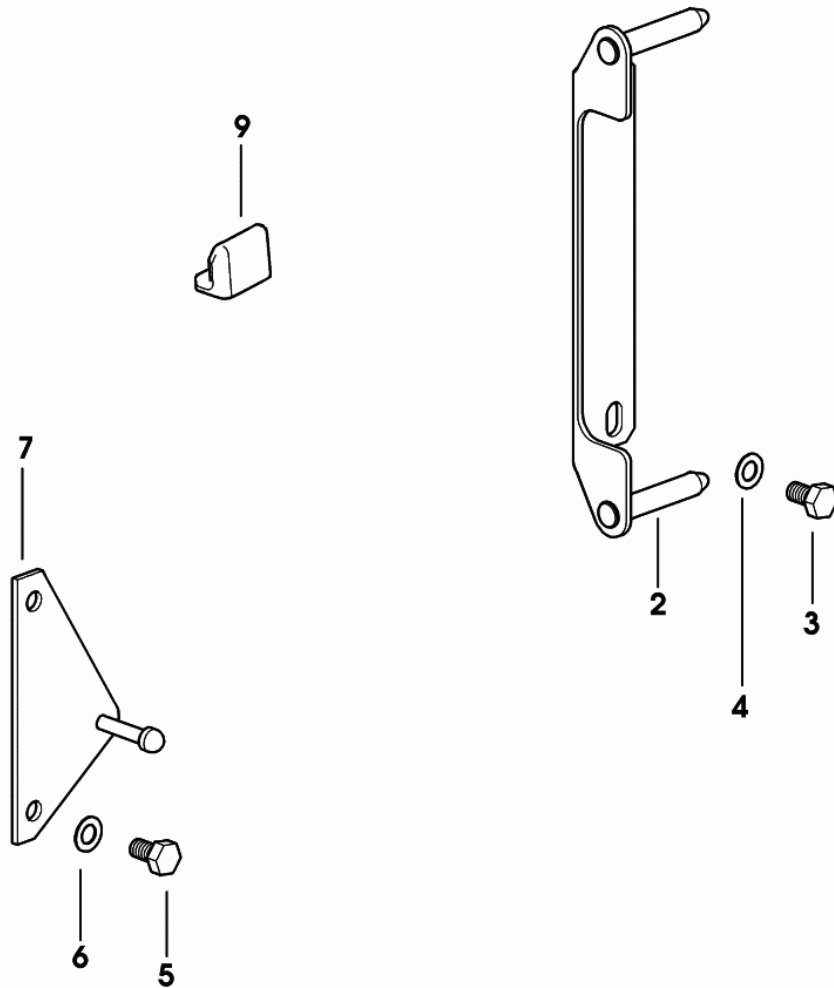
Fig.	Code	QTY	Name
1	0.009.7992.0	1	block
2	0.014.2762.2/20	1	support sx
3	2.1470.004.2	4	lock washer 8
4	2.0112.204.2	4	screw m 8 p.1.25x14
5	0.009.6798.2/20	1	bracket sx



9_64872_06_0_0

Section: BODY WORK
HOOD - RIGHT SIDE PANEL

Fig.	Code	QTY	Name
2	0.014.2762.2/20	1	support sx
3	2.0112.204.2	2	screw m 8 p.1.25x14
4	2.1470.004.2	2	lock washer 8
5	2.0112.204.2	2	screw m 8 p.1.25x14
6	2.1470.004.2	2	lock washer 8
7	0.009.6797.2/20	1	bracket dx
9	0.009.7992.0	1	block



9_C2272_08_0_0

MODEL PLATE

Fig.	Code	QTY	Name
1	0.014.0183.0	2	plate

EXPLORER 75 T

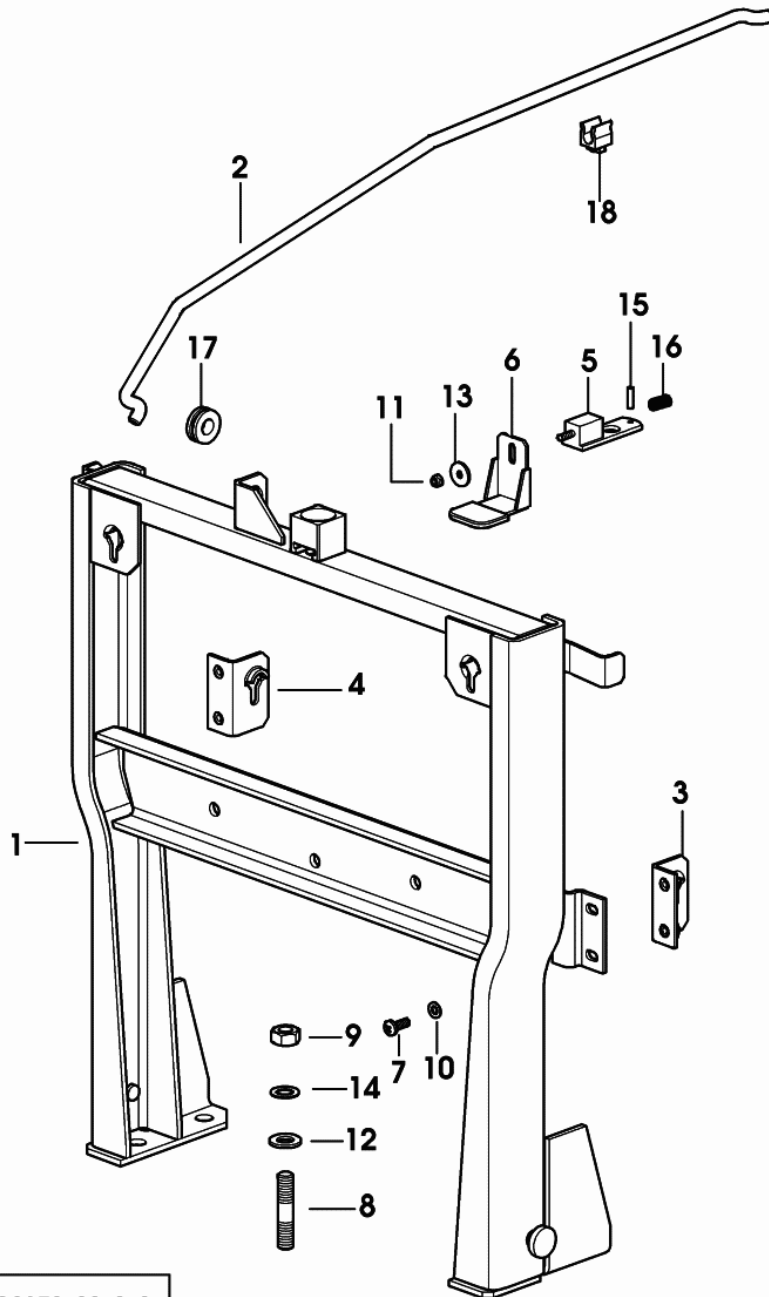


9_C2272_10_0_0

Section: BODY WORK

HOOD SUPPORT

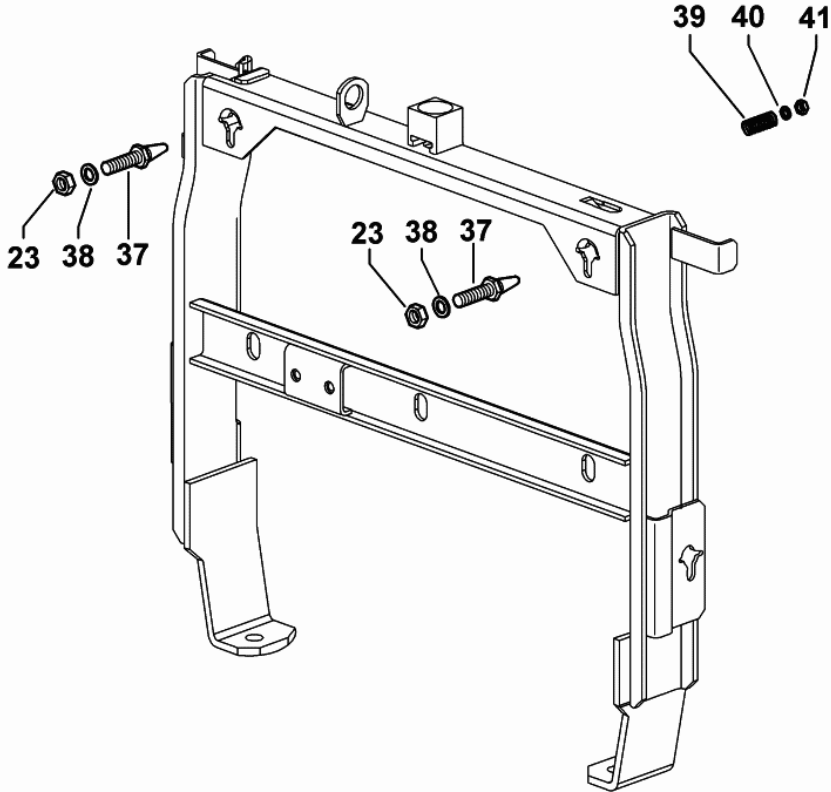
Fig.	Code	QTY	Name
1	0.014.0701.2/10	1	chassis frame
2	0.013.5608.0/10	1	top link
3	0.009.7934.2/10	1	bracket sx
4	0.009.7935.2/10	1	bracket dx
5	0.011.3311.2/30	1	small plate
6	0.011.3314.4/10	1	bracket
7	2.0332.305.2	4	screw m 5x14
8	2.0422.303.2	4	stud bolt m 10x22
9	2.1011.106.2	4	nut m 10 p.1.5
10	2.1310.001.2	4	flat washer 5.3x10
11	2.1121.001.2	1	selflock nut m 4 p.0.7
12	2.1310.006.2	4	flat washer 10.5x20
13	2.1312.001.2	1	washer 4.3
14	2.1470.006.2	4	lock washer 10
15	2.1630.103.2	1	roll pin
16	2.4019.722.2	1	spring
17	2.6560.004.0	1	wire guide 10x2.5
18	0.010.0351.0	1	small spring



9_C2372_00_0_0

Section: BODY WORK
HOOD - SUPPORTS

Fig.	Code	QTY	Name
23	2.1470.004.2	2	lock washer 8
37	0.011.3639.0/10	2	pin
38	2.1011.105.2	2	nut m 8 p.1.25
39	2.4019.619.0	6	spring
40	2.1310.001.2	6	flat washer 5.3x10
41	2.1120.001.2	6	selflock nut m 4



9_D4172_02_0_0

Section: BODY WORK
HOOD SUPPORT

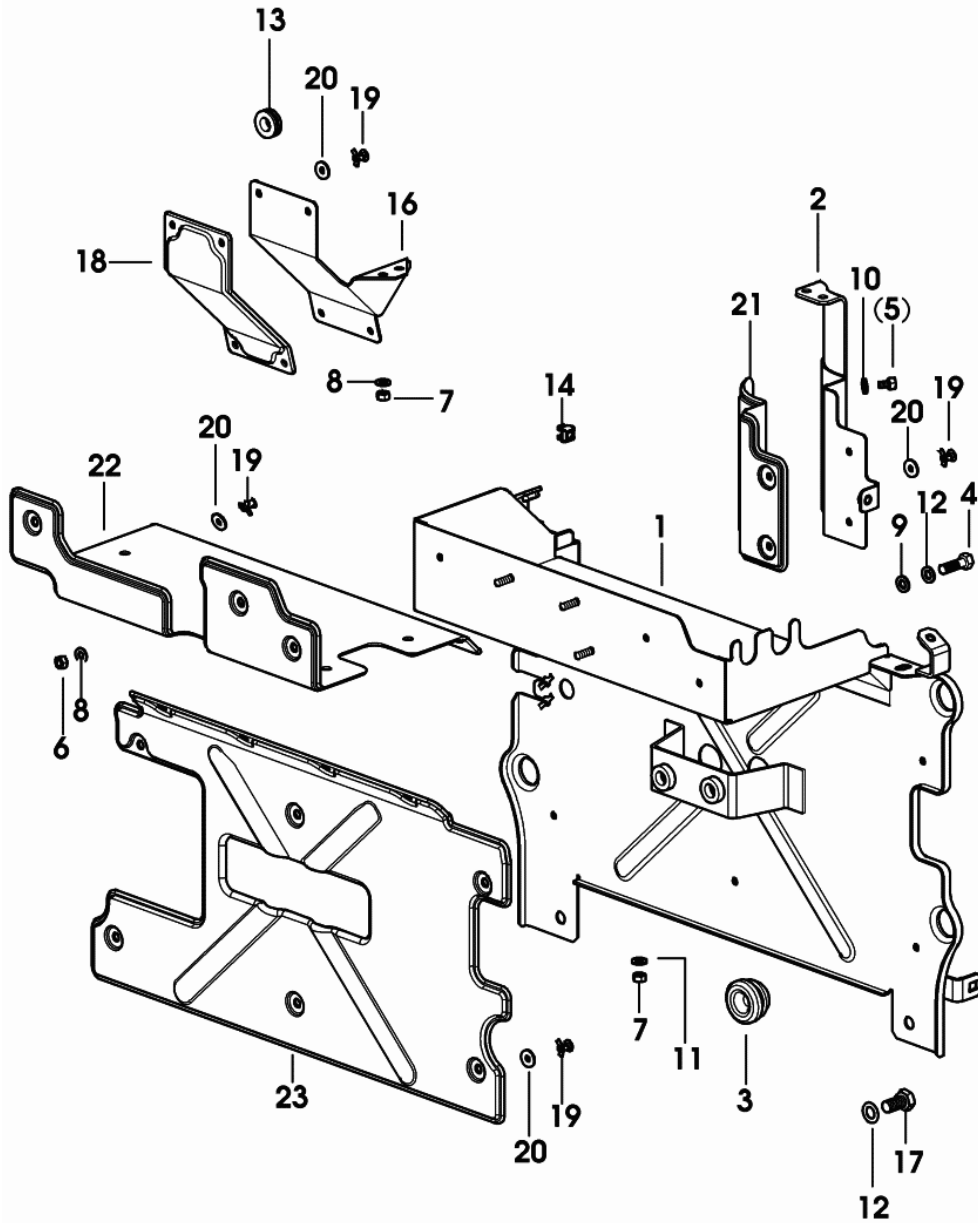
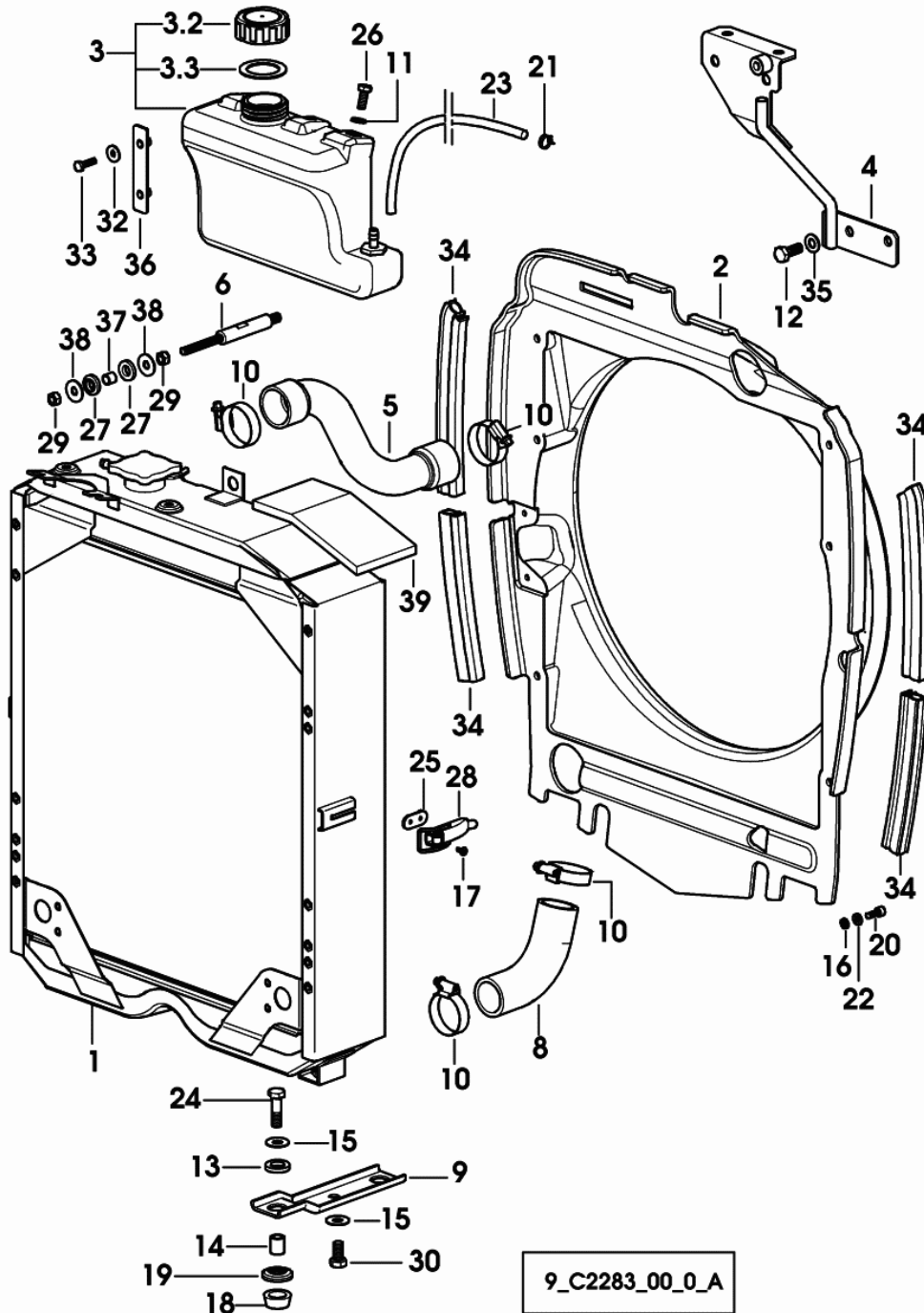


Fig.	Code	QTY	Name
1	0.013.7224.3/50	1	division
2	0.014.3160.3/10	1	bracket
3	0.009.6531.0/30	4	block
4	2.0112.307.2	1	screw m 10 p.1.5x20
5	2.0114.005.2	2	screw m 6x16 1083 <- X EXPLORER 75 T 1010 <- X EXPLORER 75 TB 1008 <- X EXPLORER 85 TB
6	2.1011.103.2	7	nut m 6 p.1
7	2.1011.105.2	2	nut m 8 p.1.25
8	2.1310.002.2	6	flat washer 6.4x12.5
9	2.1310.006.2	2	flat washer 10.5x20
10	2.1470.002.2	2	lock washer 6
11	2.1470.004.2	2	lock washer 8
12	2.1470.006.2	2	lock washer 10
13	2.6560.006.0	1	wire guide 12x1.5
14	2.6999.031.2	2	special nut m 6
16	0.014.2727.0/10	1	shield
17	2.0112.313.2	1	screw m 10 p.1.5x35
18	0.014.3096.0	1	shield
19	2.1851.005.0	25	rivet
20	2.1312.002.2	25	washer 5.3x15
21	0.014.3145.0	1	shield
22	0.014.3225.0	1	shield
23	0.014.3219.0	1	shield

9_C2272_01_0_0

Section: BODY WORK
COOLING SYSTEM

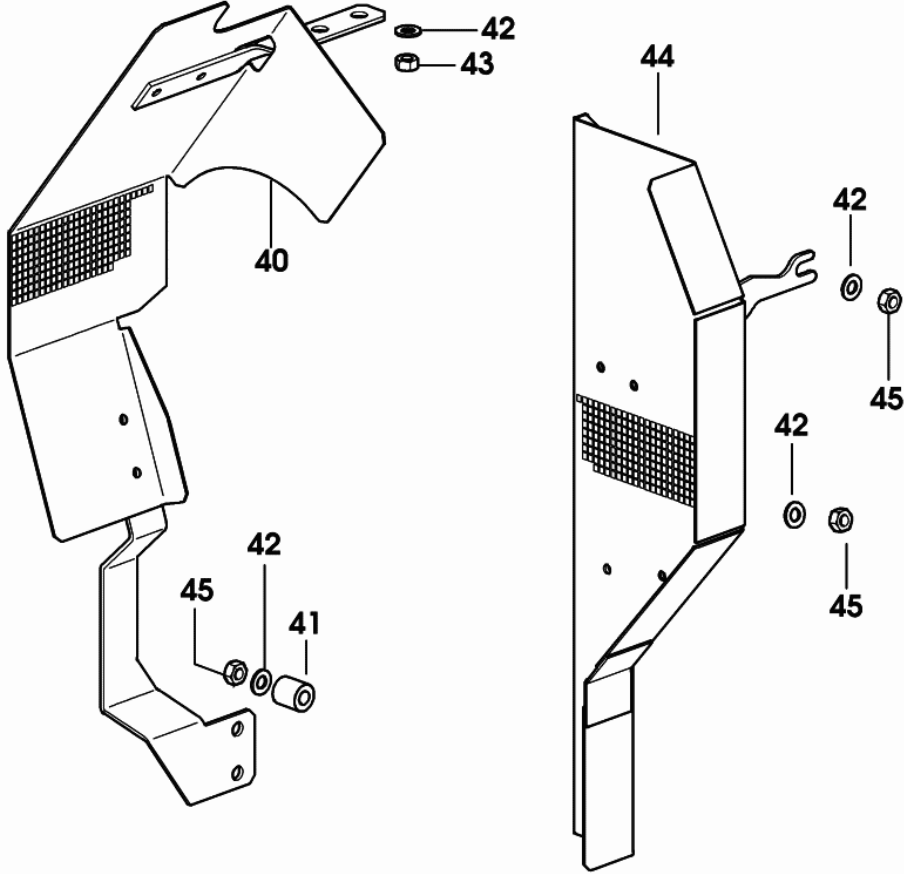


9_C2283_00_0_A

Fig.	Code	QTY	Name
1	0.013.5652.4/40	1	water cooler ☞ 614 => 614
2	0.013.5678.0/30	1	air duct hood
3	0.013.4947.4/30	1	cup
3.2	0.013.7584.0	1	plug
3.3	2.1569.215.0	1	gasket
4	0.013.5706.3/10	1	rod
5	0.013.5691.0/10	1	sleeve
6	0.014.0627.0/10	1	rod
8	0.013.4807.0/20	1	sleeve
9	0.013.5515.0	2	bracket
10	2.6851.005.0	4	clamp 40-60
11	2.1310.004.2	2	flat washer 8.4x16
12	2.0112.309.2	2	screw m 10 p.1.5x25
13	0.136.7387.0	4	rubber plug 15x27x5
14	2.1579.090.2	4	spacer 10.1x15x18
15	2.1599.044.2	6	snoulder 10.5x25.5x1.5
16	2.1310.002.2	6	flat washer 6.4x12.5
17	2.0332.202.2	4	screw m 4x8
18	0.136.7385.0	4	rubber plug
19	0.136.7384.0	4	cup
20	2.0312.104.2	6	screw m 6 p.1x16
21	2.6859.083.2	2	clamp
22	2.1470.002.2	6	lock washer 6
23	0.012.6457.0	0	tube
24	2.0112.313.2	4	screw m 10 p.1.5x35
25	0.008.9726.0	2	small plate
26	2.0114.207.2	2	screw m 8x20
27	0.013.5070.0/10	2	rubber plug
28	0.008.9632.0	2	clevis
29	2.1011.105.2	2	nut m 8 p.1.25
30	2.0112.307.2	2	screw m 10 p.1.5x20
32	2.1312.003.2	2	washer 6.6x18
33	2.0112.008.2	2	screw m 6 p.1x22
34	0.012.7147.0/10	1	gasket mm 510
35	2.1310.006.2	2	flat washer 10.5x20
36	0.014.2390.2	1	small plate
37	2.1549.044.2	1	spacer
38	2.1312.004.2	2	washer 9x24
39	0.014.2752.0	1	gasket

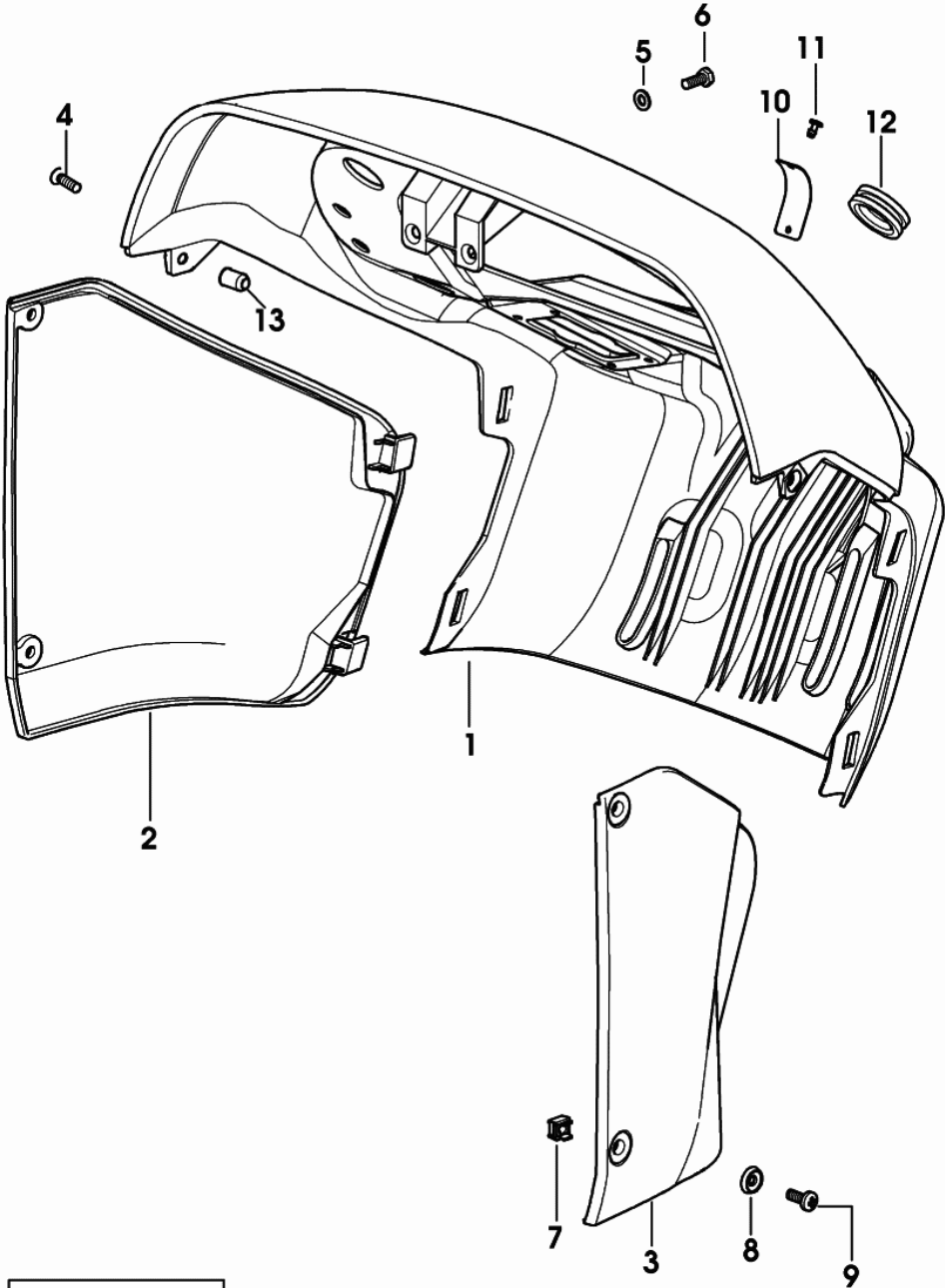
Section: BODY WORK
COOLING SYSTEM

Fig.	Code	QTY	Name
40	0.014.3401.2/10	1	shield dx
41	2.1579.191.2	2	spacer 8.5x18x20
42	2.1310.004.2	6	flat washer 8.4x16
43	2.1011.105.2	2	nut m 8 p.1.25
44	0.014.3345.2/10	1	shield sx
45	2.1011.405.2	4	nut m 8 p.1



Section: BODY WORK
DASHBOARD

Fig.	Code	QTY	Name
1	0.013.6689.4	1	dashboard
2	0.012.6149.4	2	side panel dx
3	0.014.1188.0	1	side panel
4	2.0322.407.6	4	screw m 6x20
5	2.1310.002.2	2	flat washer 6.4x12.5
6	2.0112.005.2	2	screw m 6 p.1x16
7	2.6999.024.2	7	special nut m 6
8	0.9125.662.0	4	washer 6.4x12.5
9	2.0332.406.3	4	screw m 6x16
10	2.9939.149.0	1	plate
11	2.1856.002.0	2	rivet
12	2.3199.115.0	1	plug 38x12
13	2.1142.004.2	2	nut m 6x3

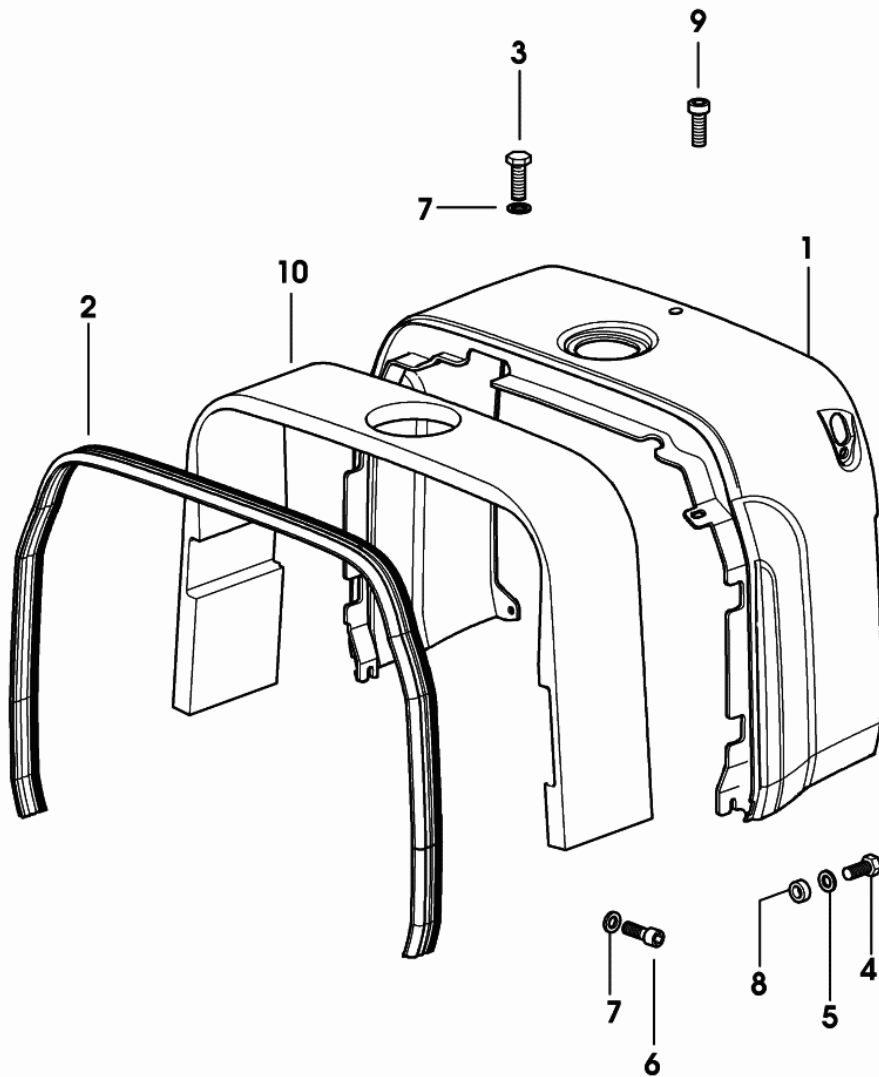


9_C2374_00_0_0

Section: BODY WORK

INSTRUMENT PANEL SURROUND

Fig.	Code	QTY	Name
1	0.013.5774.0/20	1	frame
2	0.012.1817.0/10	1	gasket
3	2.0112.006.2	2	screw m 6 p.1x18
4	2.0112.007.2	2	screw m 6 p.1x20
5	2.1310.002.2	2	flat washer 6.4x12.5
6	2.0312.105.2	2	screw m 6 p.1x18
7	2.1312.003.2	4	washer 6.6x18
8	2.1579.890.0	2	spacer
9	2.0322.407.3	1	screw m 6x20
10	0.014.3282.0	1	termal insul.mater.

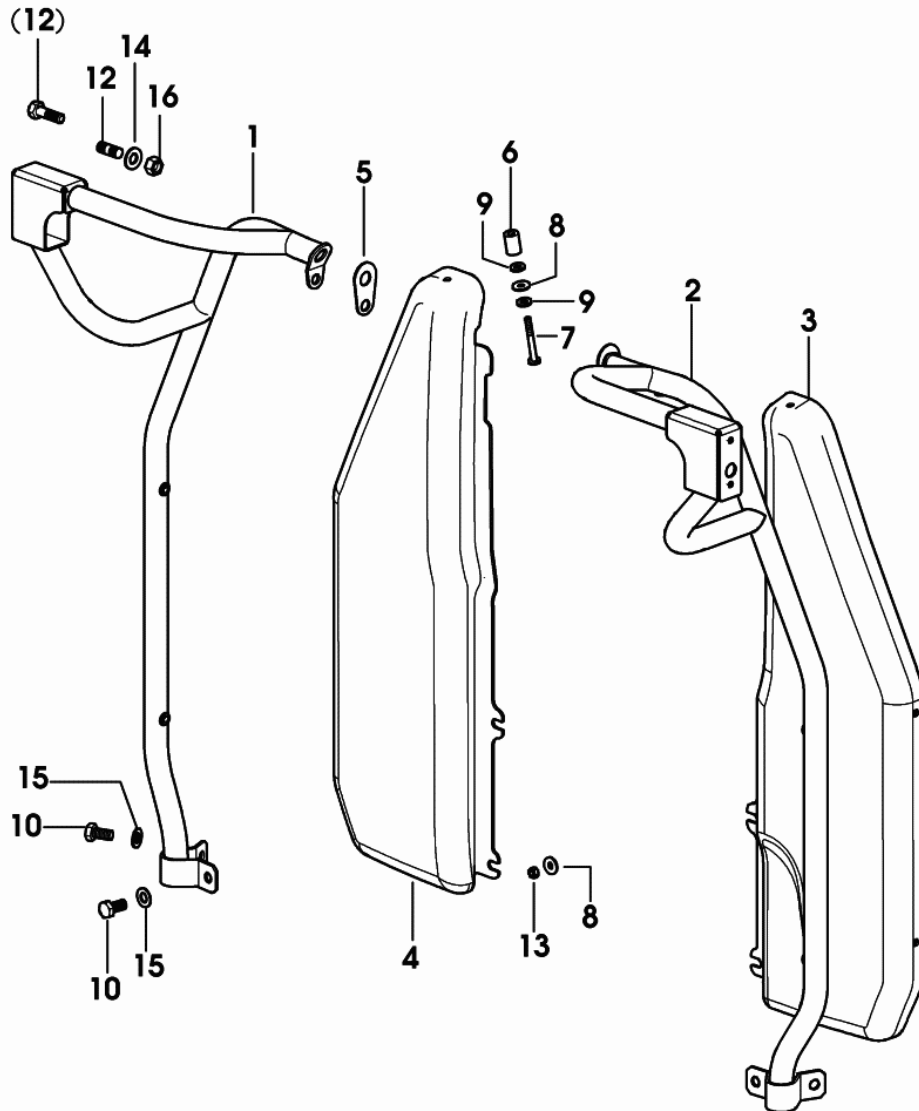


9_C2272_06_0_0

Section: BODY WORK

FRONT GRIP

Fig.	Code	QTY	Name
1	0.014.1026.3	1	chassis frame
2	0.014.1025.3	1	shield
3	0.014.1028.0/10	1	shield
4	0.014.1027.0/10	1	shield
5	0.014.1029.0	2	rubber plug
6	2.1549.209.3	6	spacer
7	2.0332.413.3	6	screw m 6x50
8	2.1312.003.2	10	washer 6.6x18
9	2.1569.165.0	12	gasket 7x15
10	2.0112.307.2	4	screw m 10 p.1.5x20
12	2.0312.308.2	2	screw m 10 p.1.5x25
			1083 <- X EXPLORER 75 T
			1010 <- X EXPLORER 75 TB
			1054 <- X EXPLORER 85 T
			1008 <- X EXPLORER 85 TB
			1066 <- X EXPLORER 95 T
			1057 <- X EXPLORER 95 TB
12	2.0422.303.2	2	stud bolt m 10x22
			-> 1084 X EXPLORER 75T
			-> 1011 X EXPLORER 75TB
			-> 1055 X EXPLORER 85T
			-> 1009 X EXPLORER 85TB
			-> 1067 X EXPLORER 95T
			-> 1058 X EXPLORER 95TB
13	2.1011.103.2	4	nut m 6 p.1
14	2.1470.006.2	2	lock washer 10
15	2.1475.003.2	4	washer 10.5x20
16	2.1011.106.2	2	nut m 10 p.1.5
			-> 1084 X EXPLORER 75T
			-> 1011 X EXPLORER 75TB
			-> 1055 X EXPLORER 85T
			-> 1009 X EXPLORER 85TB
			-> 1067 X EXPLORER 95T
			-> 1058 X EXPLORER 95TB

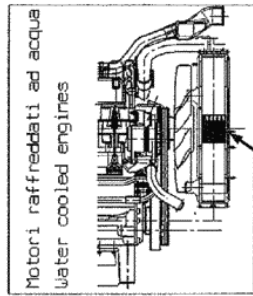


9_C2376_03_0_0

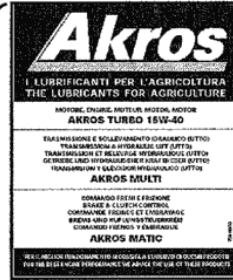
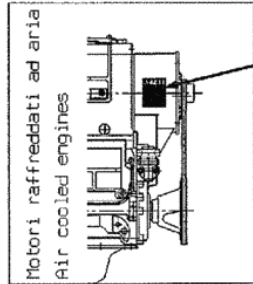
Section: BODY WORK
PLATES

Fig.	Code	QTY	Name
100	0.000.0000.1	0	not serviceable
100.4	2.9929.869.0	1	plate AKROS MULTI
100.5	2.9929.870.0	1	plate AKROS MULTI FCT
100.6	2.9929.684.0	1	plate

100



Schema montaggio
 Assembly scheme



100.4



100.5

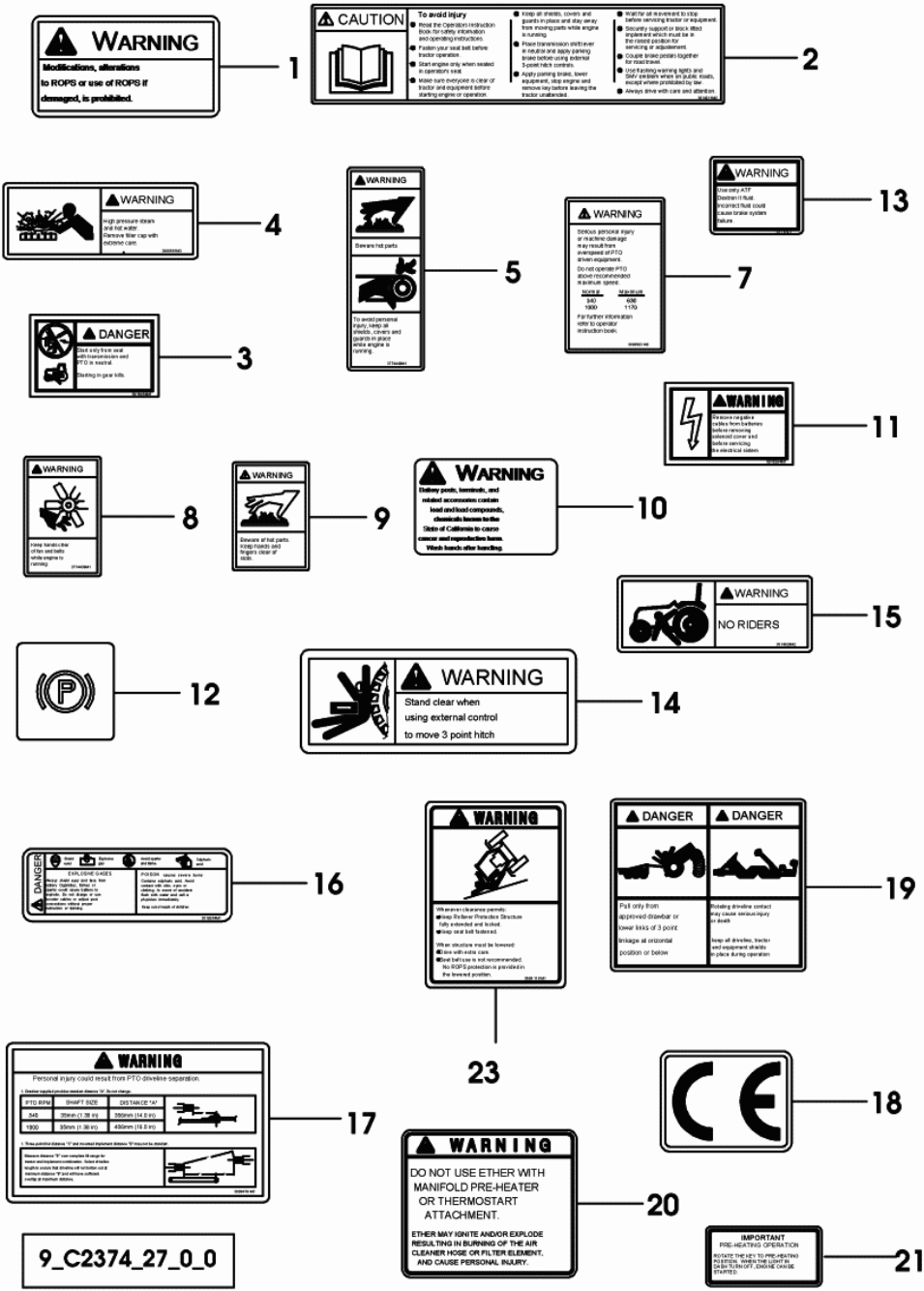
BRAKES OIL
 USE ATF DEXRON II
 OIL ONLY

OLIO FRENI
 USARE SOLO OLIO
 TIPO ATF DEXRON II

100.6

Section: BODY WORK
INFORMATION PLATE

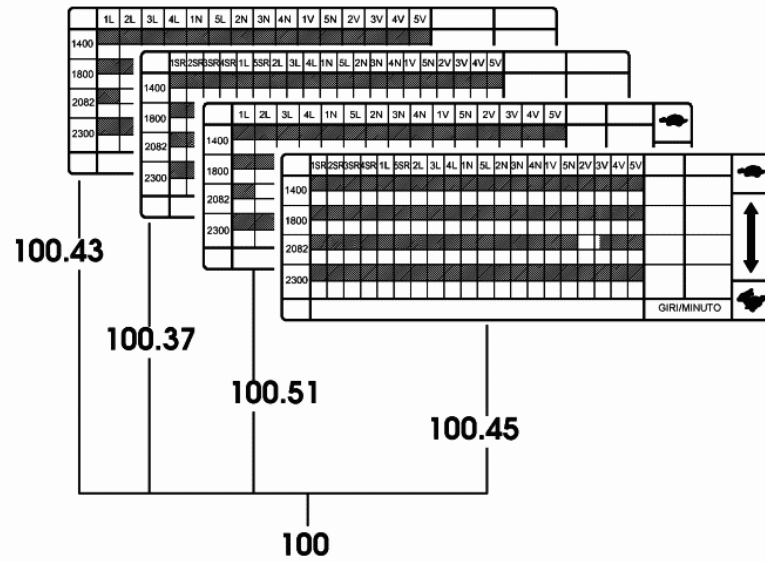
Fig.	Code	QTY	Name
1	2.9929.699.0	1	plate
2	2.9929.848.0	1	plate
3	2.9929.854.0	1	plate
4	2.9929.792.0	1	plate
5	2.9929.791.0	1	plate
7	2.9929.853.0	1	plate
8	2.9929.794.0	1	plate
9	2.9929.847.0	1	plate
10	2.9929.754.0	1	plate
11	2.9929.860.0	1	plate
12	2.9929.702.0	1	plate
13	2.9929.861.0	1	plate
14	2.9929.859.0	2	plate
15	2.9929.793.0	1	plate
16	2.9929.862.0	1	plate
17	2.9929.855.0/20	1	plate
18	2.9929.566.0	1	plate " CE "
19	2.9929.856.0	1	plate
20	2.9929.544.0	1	plate
21	2.9929.852.0	1	plate
23	2.9929.858.0	1	plate



9_C2374_27_0_0

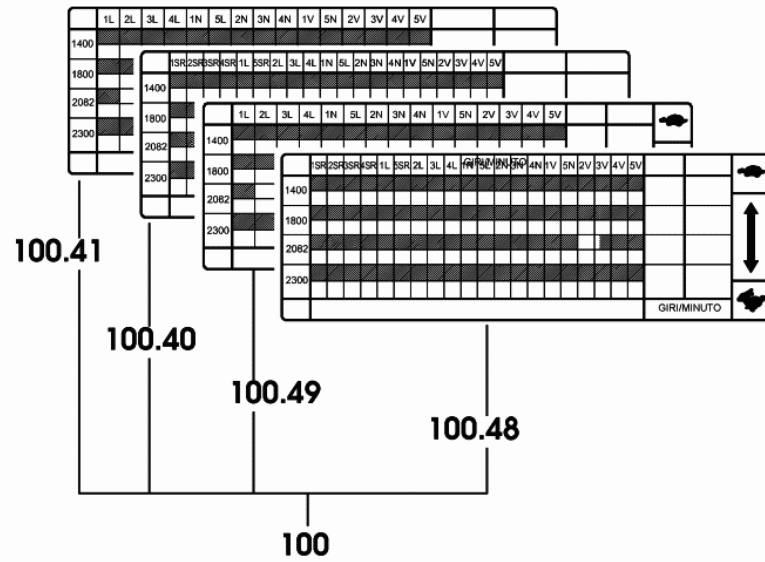
SPEED LABEL 30 Km/h 13.6 R38

Fig.	Code	QTY	Name
100	0.000.0000.1	0	not serviceable
100.37	2.9939.124.0	1	plate 20 + 20
100.43	2.9939.130.0	1	plate 15 + 15
100.45	2.9939.132.0	1	plate 40 + 40
100.51	2.9939.138.0	1	plate 30 + 30



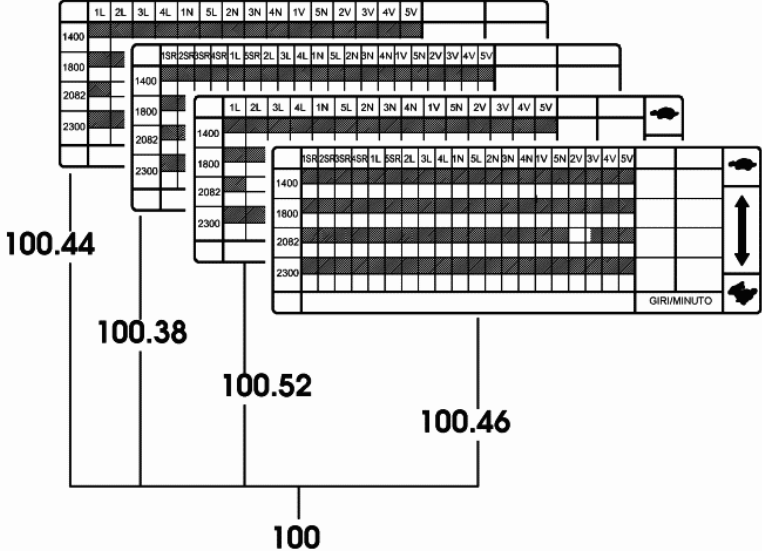
SPEED LABEL 40 Km/h 13.6 R38

Fig.	Code	QTY	Name
100	0.000.0000.1	0	not serviceable
100.40	2.9939.127.0	1	plate 20 + 20
100.41	2.9939.128.0	1	plate 15 + 15
100.48	2.9939.135.0	1	plate 40 + 40
100.49	2.9939.136.0	1	plate 30 + 30



Section: BODY WORK
SPEED LABEL 18 MPH 13.6 R38 EXPORT U.S.A

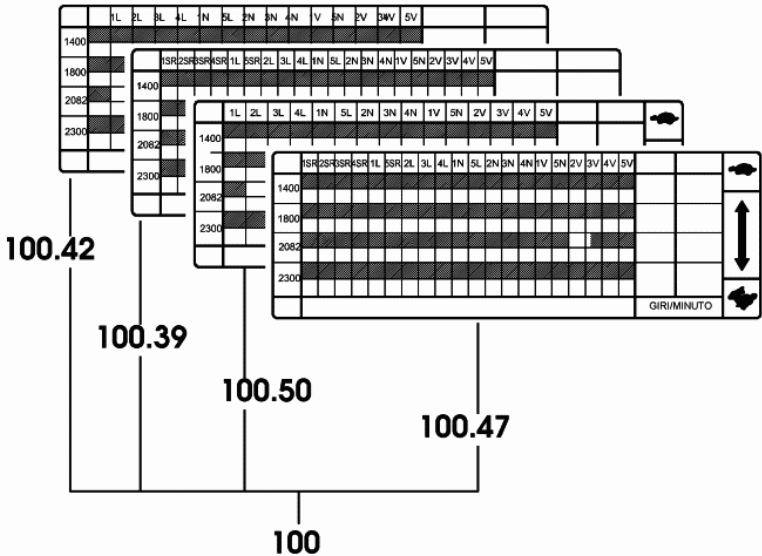
Fig.	Code	QTY	Name
100	0.000.0000.1	0	not serviceable
100.38	2.9939.125.0	1	plate 20 + 20
100.44	2.9939.131.0	1	plate 15 + 15
100.46	2.9939.133.0	1	plate 40 + 40
100.52	2.9939.139.0	1	plate 30 + 30



9_C2374_50_0_C

Section: BODY WORK
SPEED LABEL 25 MPH 13.6 R38 EXPORT U.S.A

Fig.	Code	QTY	Name
100	0.000.0000.1	0	not serviceable
100.39	2.9939.126.0	1	plate 20 + 20
100.42	2.9939.129.0	1	plate 15 + 15
100.47	2.9939.134.0	1	plate 40 + 40
100.50	2.9939.137.0	1	plate 30 + 30



9_C2374_50_0_D

SPEED LABEL - 40 KM/H - REFLEX

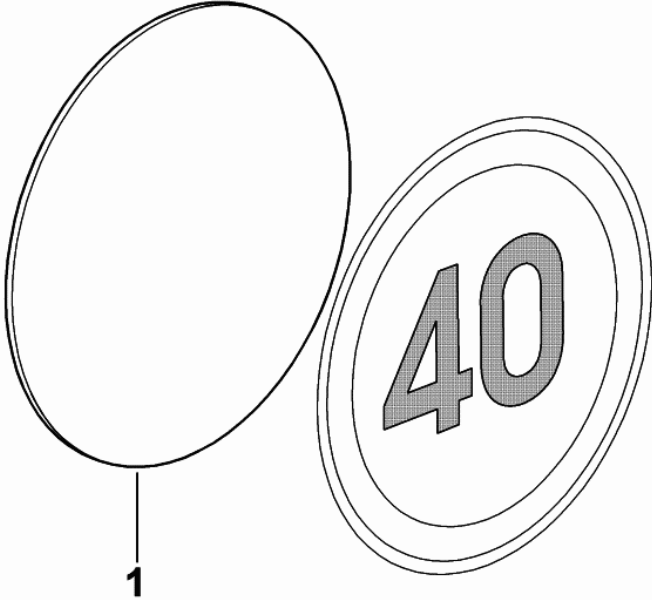
Fig.	Code	QTY	Name
1	0.010.9969.0	1	disc 40 Km/h



1

Section: BODY WORK
BRACKET - SPEED LABEL

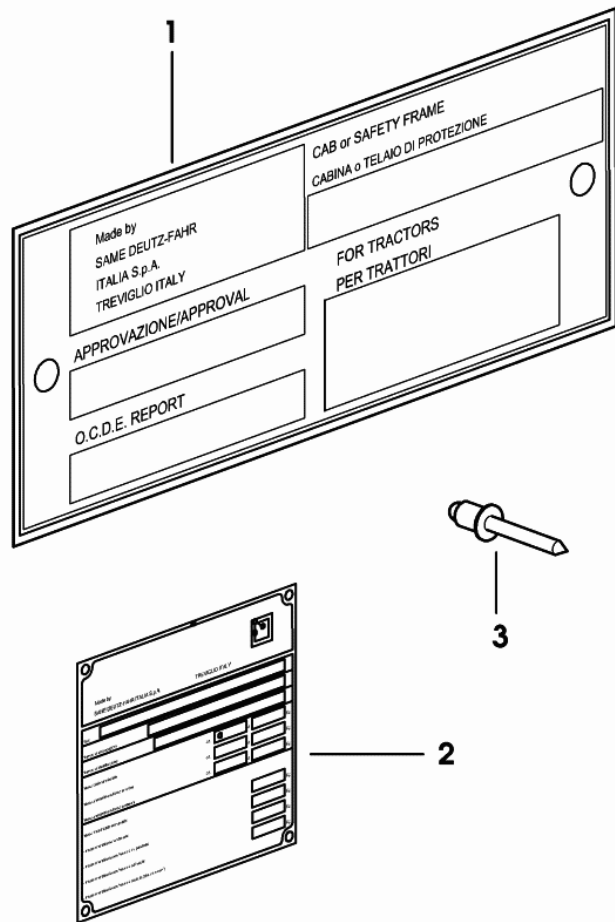
Fig.	Code	QTY	Name
1	0.011.0006.2/10	1	support



Section: BODY WORK

PLATES

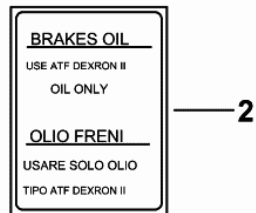
Fig.	Code	QTY	Name
1	2.9919.966.0/30	1	plate
2	0.000.0000.1	0	not serviceable
3	2.1856.304.0	4	rivet mm 4



9_70274_20_0_0

Section: BODY WORK
INFORMATION PLATE

Fig.	Code	QTY	Name
1	2.9929.566.0	1	plate " CE "
2	2.9929.684.0	1	plate



9_62074_30_0_0

Section: BODY WORK
THROTTLE

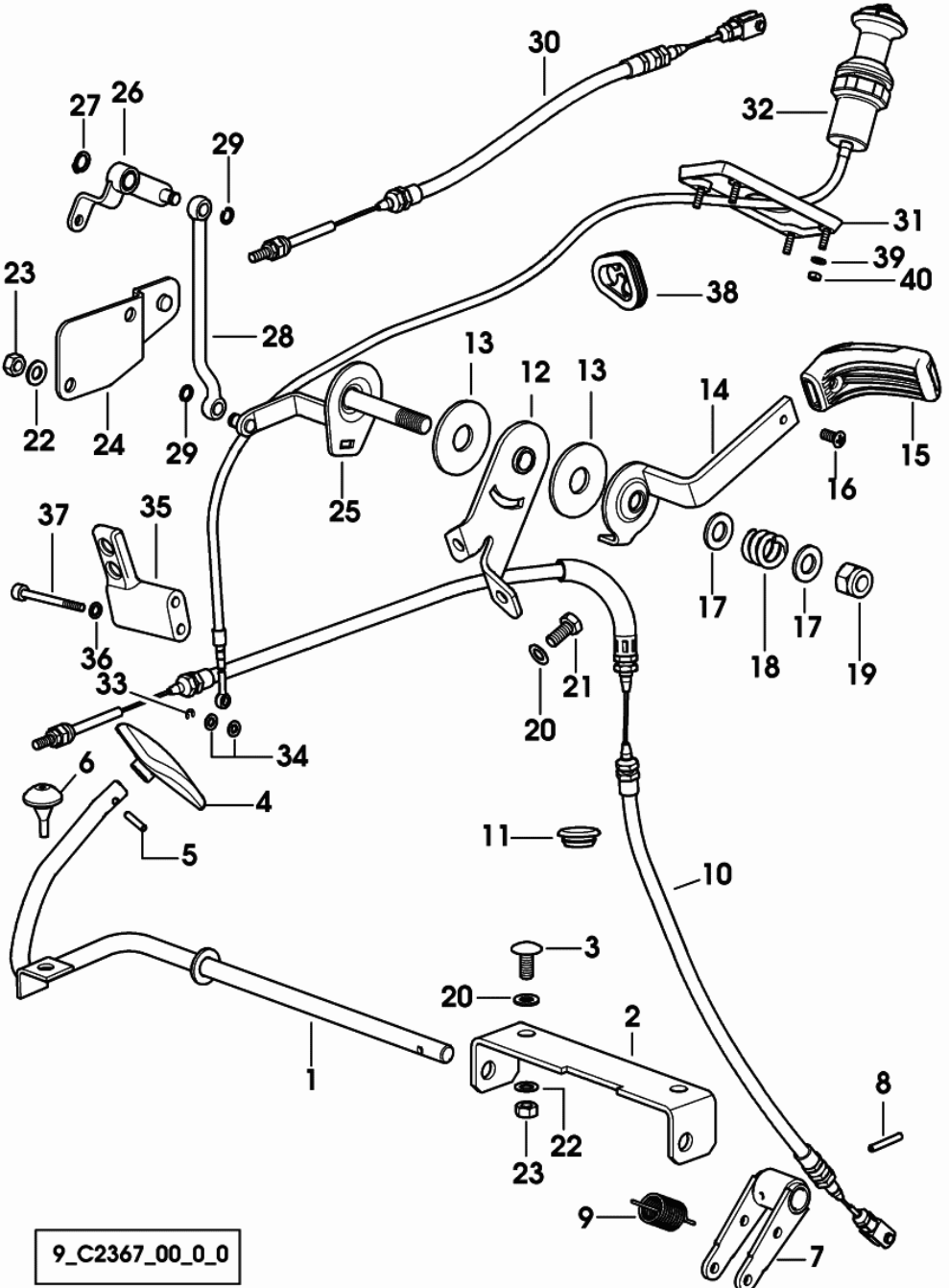


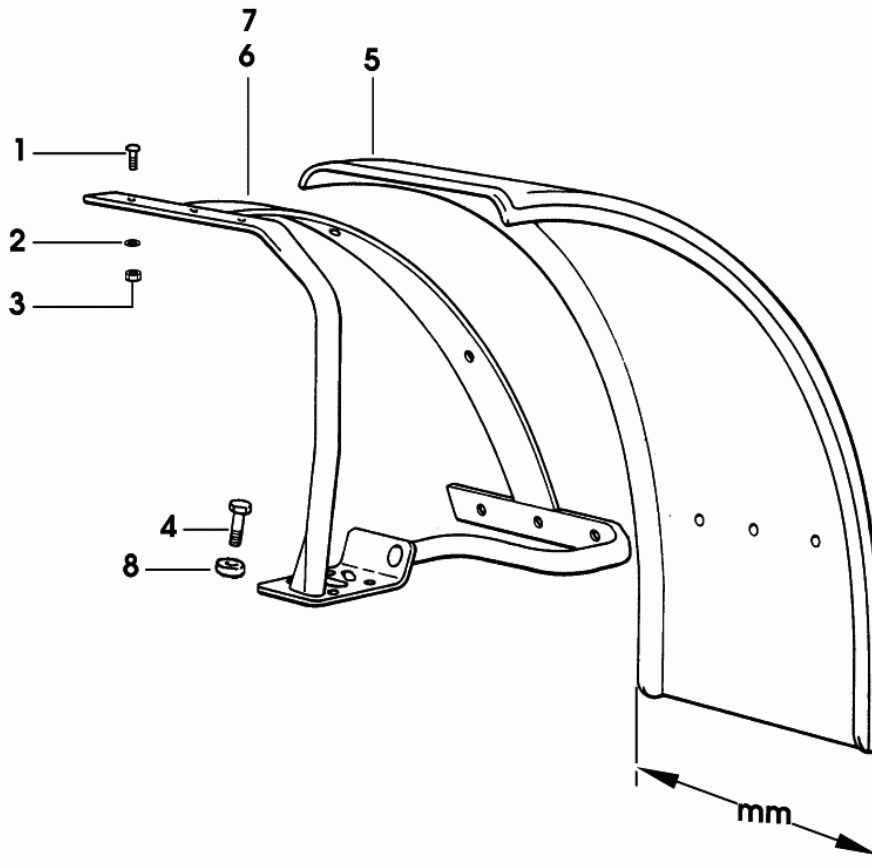
Fig.	Code	QTY	Name
1	0.013.3404.3/10	1	lever
2	0.201.6754.0/20	1	bracket
3	2.0020.205.2	2	screw m 8 p.1.25x20
4	0.008.8521.2/10	1	accel. pedal
5	2.1630.410.0	1	roll pin 4x20
6	0.255.7265.0	1	block
7	0.013.5953.3/10	1	lever
8	2.1630.412.9	1	roll pin
9	2.4049.071.2	1	spring 19x52x2
10	0.013.5946.3	1	rod
11	2.6070.050.0	1	plug
12	0.013.5960.2/10	1	bracket
13	2.1569.044.0	2	gasket 17.5x50x3
14	0.013.5949.3	1	lever
15	0.013.3896.0	1	knob
16	2.0322.405.6	1	screw m 6x14
17	2.1310.007.2	2	flat washer 13x24
18	2.4019.022.2	1	spring 23x20x4.5
19	2.1120.007.2	1	nut m 12 p.1.75
20	2.1470.004.2	4	lock washer 8
21	2.0112.206.2	2	screw m 8 p.1.25x18
22	2.1310.004.2	4	flat washer 8.4x16
23	2.1011.105.2	4	nut m 8 p.1.25
24	0.013.5950.2/20	1	bracket
25	0.013.5961.3/10	1	pin
26	0.013.5962.3	1	transmission
27	2.1410.001.1	1	circlip 10
28	0.014.4238.0	1	rod
29	2.1410.063.1	2	circlip 8
30	0.013.5947.3	1	rod
31	0.012.6144.3	1	plug
32	0.013.5948.3	1	rod
33	2.1430.004.7	2	circlip 3.2
34	2.1310.001.2	2	flat washer 5.3x10
35	0.013.5942.0/20	1	lever
36	2.1480.012.2	2	washer 6
37	2.0312.117.3	2	screw
38	0.013.5951.0	1	rubber plug
39	2.1310.028.2	4	flat washer 4.3x9
40	2.1011.101.2	4	nut m 4

9_C2367_00_0_0

Section: BODY WORK

4WD - FRONT MUDGUARDS mm 310

Fig.	Code	QTY	Name
1	2.0029.503.6	16	screw m 8x25
2	2.1470.004.2	16	lock washer 8
3	2.1011.105.2	16	nut m 8 p.1.25
4	2.0112.417.2	8	screw m 12 p.1.75x45
5	0.163.7632.5/10	2	fender mm 310
6	0.290.7665.2	1	support sx
7	0.290.7664.2	1	support dx
8	2.1599.484.2	8	spacer 13x26x4

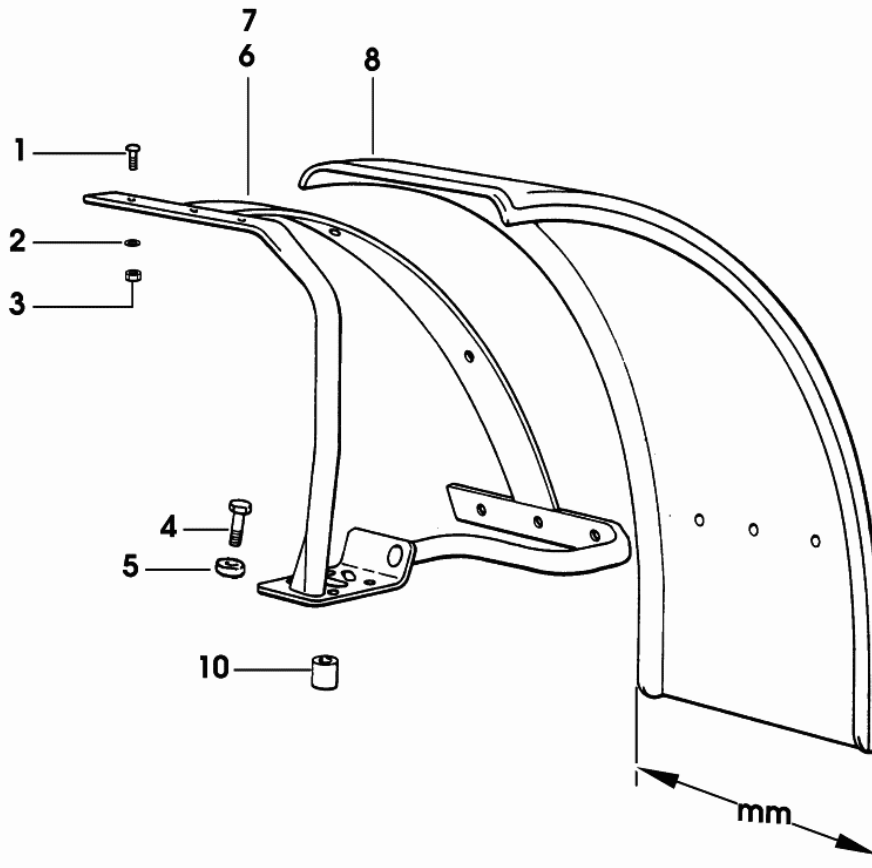


9_51176_16_0_0

Section: BODY WORK

4WD - FRONT MUDGUARDS mm 355 24"

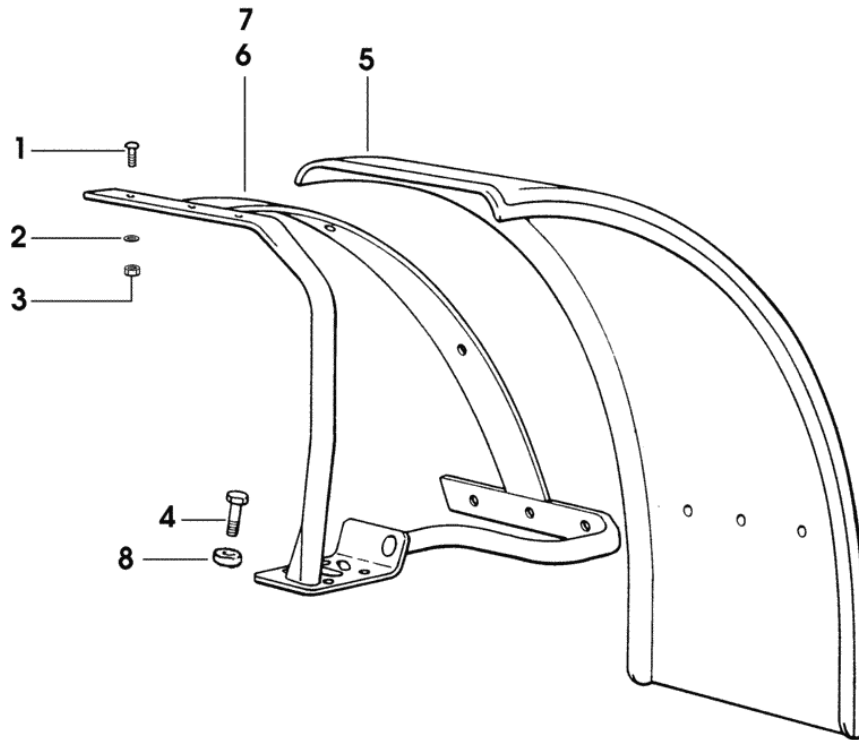
Fig.	Code	QTY	Name
1	2.0029.503.6	16	screw m 8x25
2	2.1470.004.2	16	lock washer 8
3	2.1011.105.2	16	nut m 8 p.1.25
4	2.0112.423.2	8	screw m 12 p.1.75x70
5	2.1599.484.2	8	spacer 13x26x4
6	0.290.7665.2	1	support sx
7	0.290.7664.2	1	support dx
8	0.255.7632.0/10	2	fender mm 355
10	2.1579.984.2	8	spacer 13x30x25



Section: BODY WORK

4WD - FRONT MUDGUARDS mm 355 28"

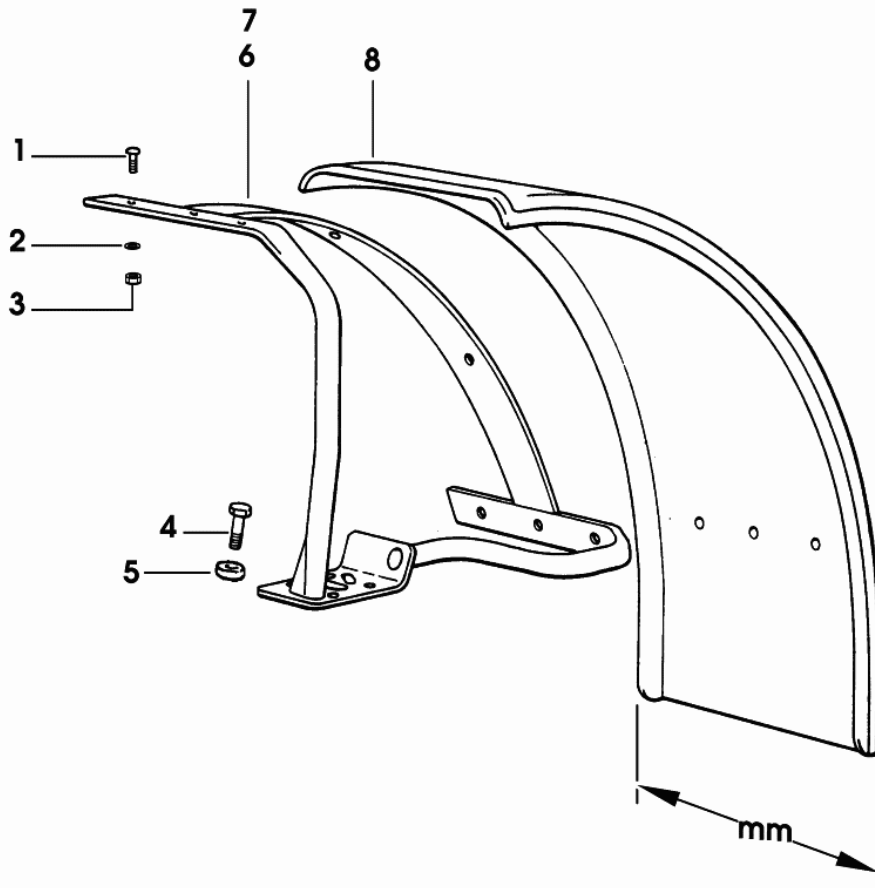
Fig.	Code	QTY	Name
1	2.0029.503.6	16	screw m 8x25
2	2.1470.004.2	16	lock washer 8
3	2.1011.105.2	16	nut m 8 p.1.25
4	2.0112.417.2	8	screw m 12 p.1.75x45
5	0.255.7632.0/10	2	fender mm 355
6	0.290.7667.2	1	support sx
7	0.290.7666.2	1	support dx
8	2.1599.484.2	8	spacer 13x26x4



Section: BODY WORK

4WD - FRONT MUDGUARDS mm 400

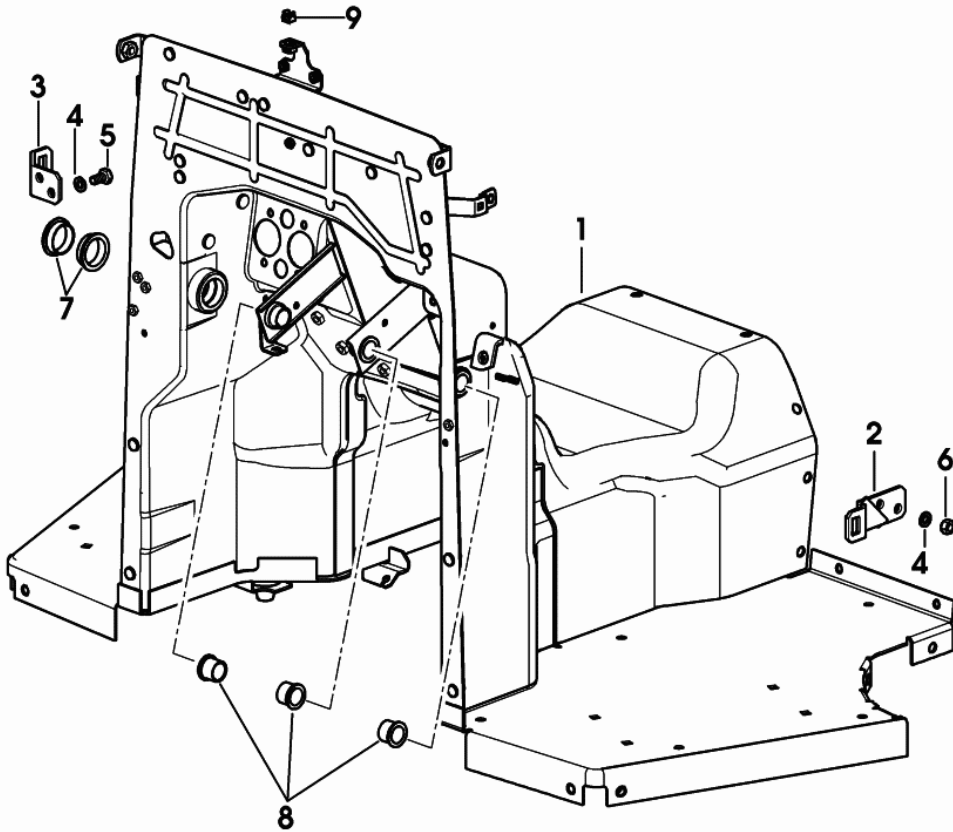
Fig.	Code	QTY	Name
1	2.0029.503.6	16	screw m 8x25
2	2.1470.004.2	16	lock washer 8
3	2.1011.105.2	16	nut m 8 p.1.25
4	2.0112.417.2	8	screw m 12 p.1.75x45
5	2.1599.484.2	8	spacer 13x26x4
6	0.290.7667.2	1	support sx
7	0.290.7666.2	1	support dx
8	0.202.7632.0/20	2	fender mm 400



Section: BODY WORK

PLATFORM

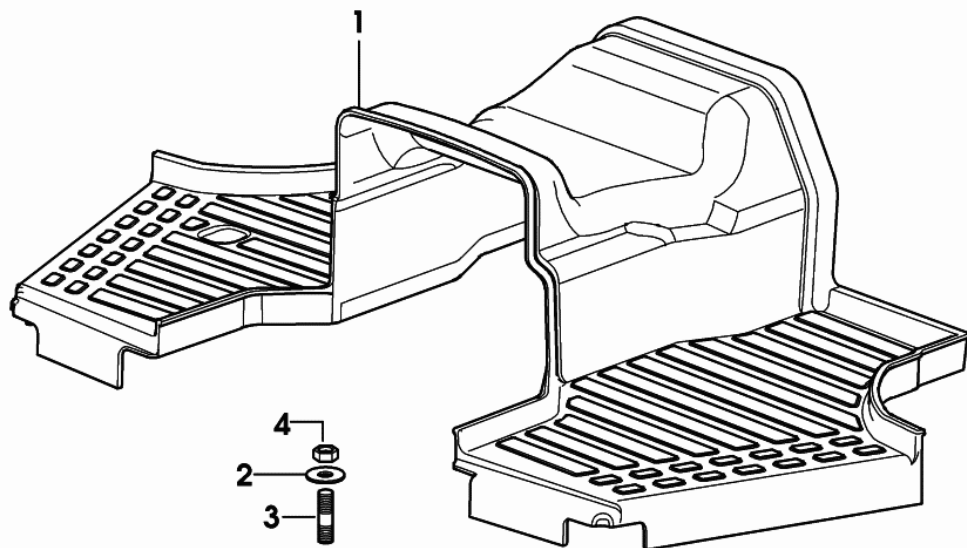
Fig.	Code	QTY	Name
1	0.013.1913.3/50	1	platform
2	0.014.1479.0	1	bracket
3	0.014.1480.0	1	bracket
4	2.1470.002.2	4	lock washer 6
5	2.0112.003.2	2	screw m 6 p.1x12
6	2.1011.103.2	2	nut m 6 p.1
7	2.1559.272.0	2	bushing 33x45x12
8	2.1559.271.0	3	sleeve 20x30x20
9	2.6999.031.2	1	special nut m 6



9_C2376_00_0_0

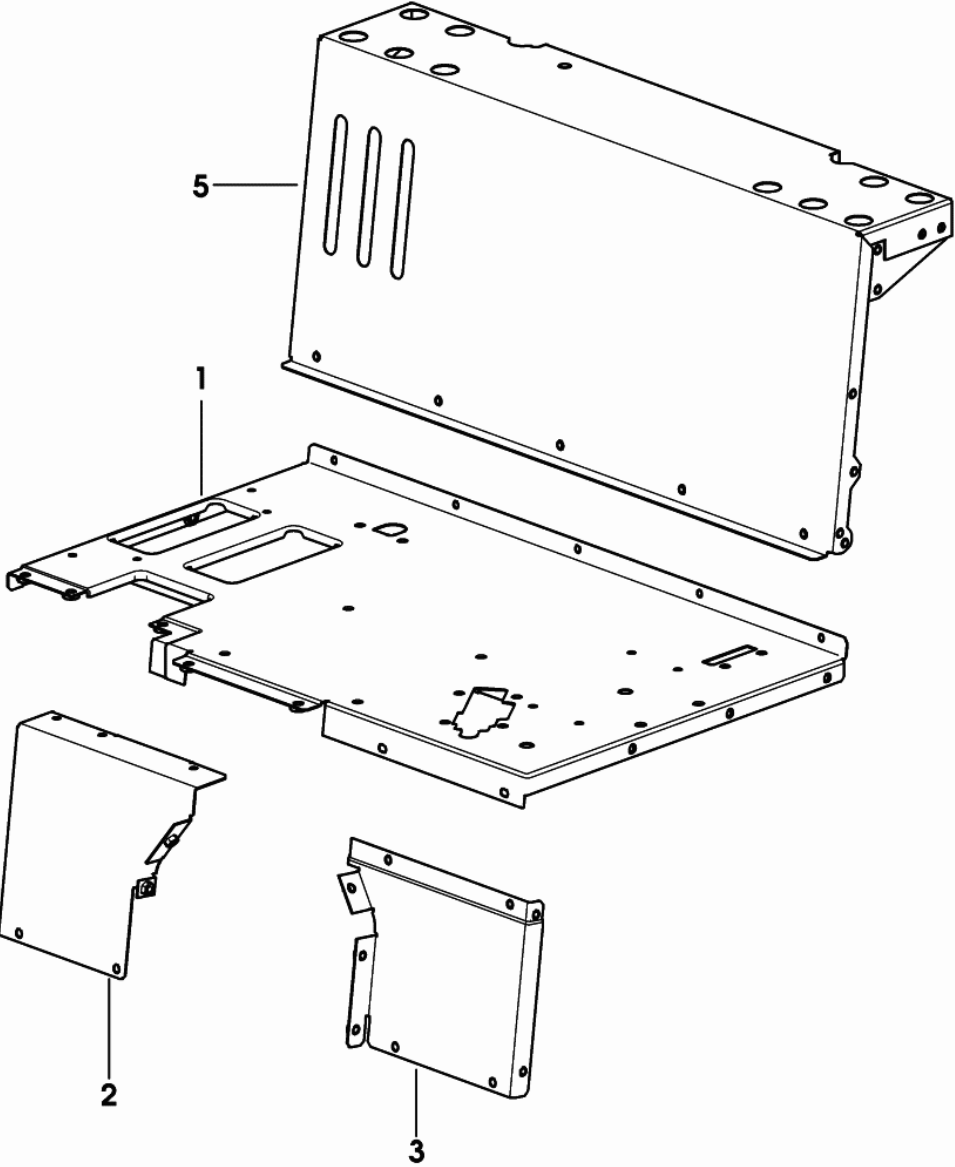
Section: BODY WORK
MAT FOR PLATOFRM

Fig.	Code	QTY	Name
1	0.014.3235.2/10	1	small carpet
2	2.1599.545.2	10	washer 6.5x28x2
3	2.0422.001.2	10	stud bolt m 6x16
4	2.1011.103.2	10	nut m 6 p.1



Section: BODY WORK
DEFLECTORS AND SUPPORTS

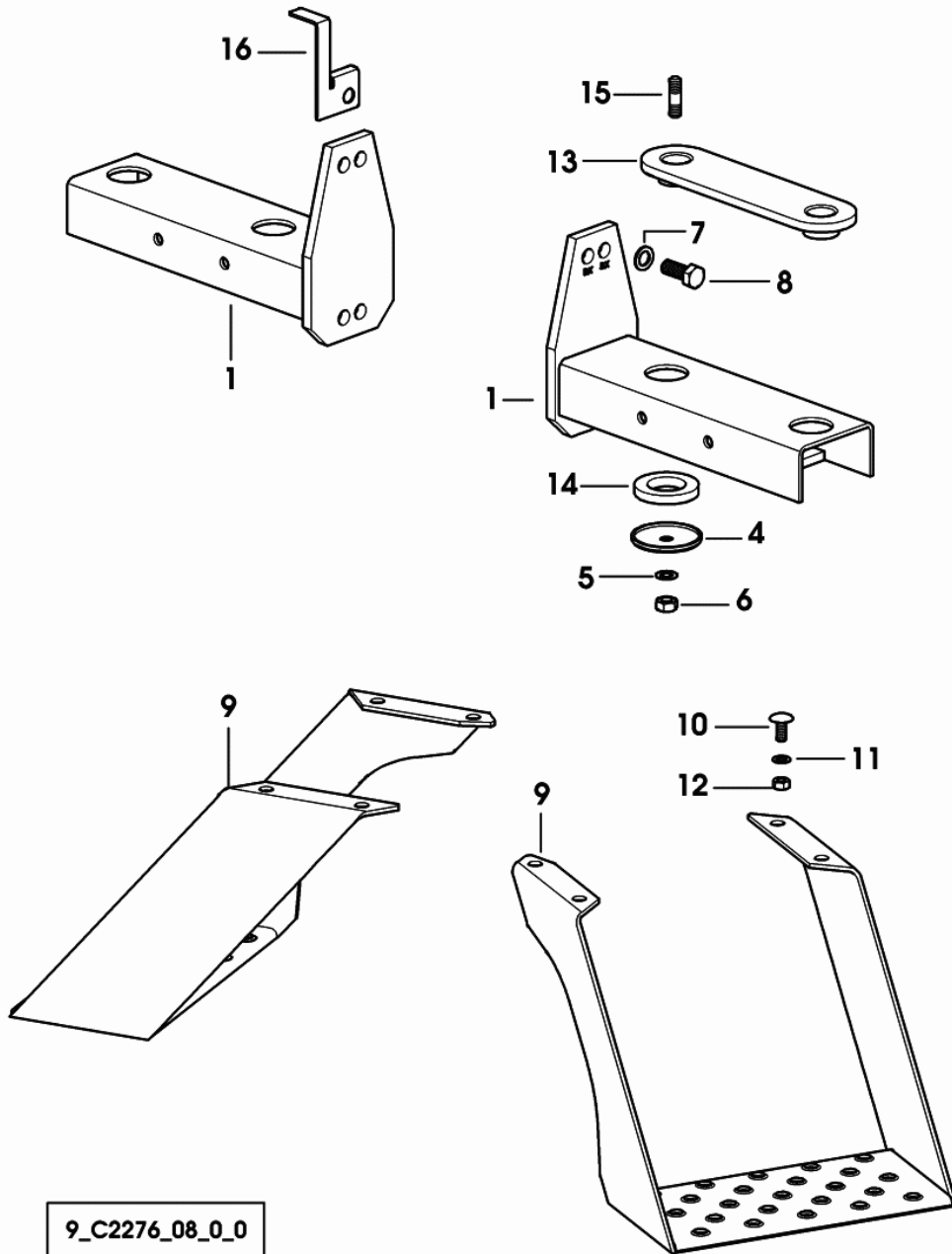
Fig.	Code	QTY	Name
1	0.014.1125.3/20	1	division
2	0.014.1124.3	1	division
3	0.013.1895.3/20	1	division
5	0.014.1126.3/20	1	division



9_C2276_01_0_0

Section: BODY WORK
SUPPORTS

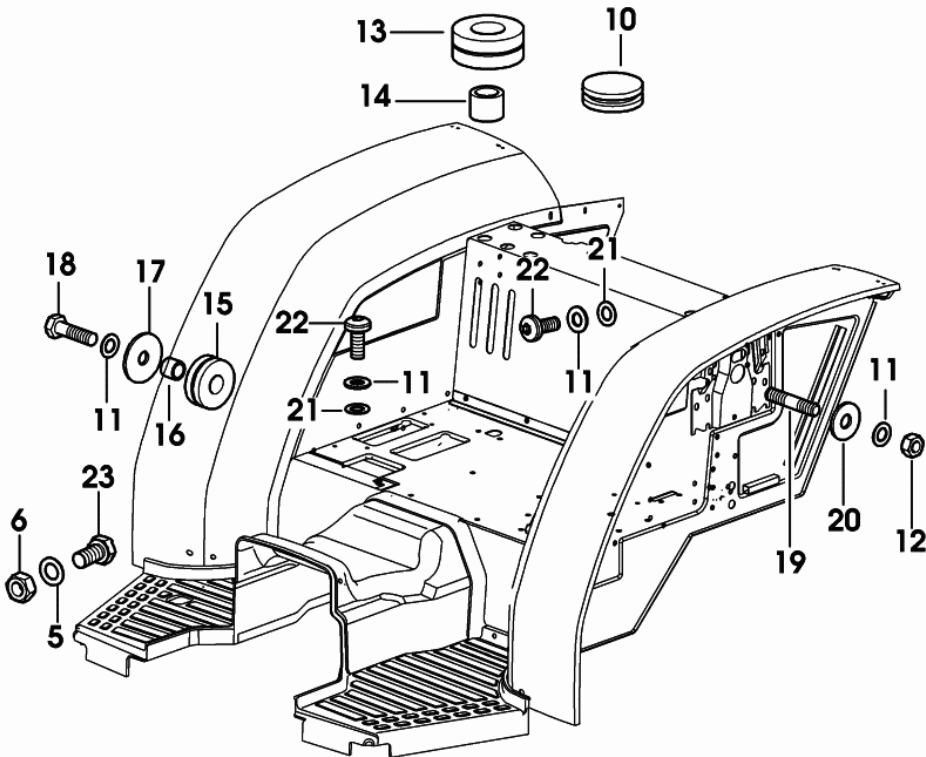
Fig.	Code	QTY	Name
1	0.014.1127.2/10	2	plate
4	0.243.7260.0/10	4	cup
5	2.1470.006.2	4	lock washer 10
6	2.1011.106.2	4	nut m 10 p.1.5
7	2.1470.007.2	4	lock washer 12
8	2.0112.411.2	4	screw m 12 p.1.75x30
9	0.007.5587.2/40	2	foot board
10	2.0020.205.2	8	screw m 8 p.1.25x20
11	2.1470.004.2	11	lock washer 8
12	2.1011.105.2	8	nut m 8 p.1.25
13	0.014.2605.0	2	block
14	0.014.2609.0	4	rubber plug
15	2.0422.303.2	4	stud bolt m 10x22
16	0.014.2757.0	1	bracket



9_C2276_08_0_0

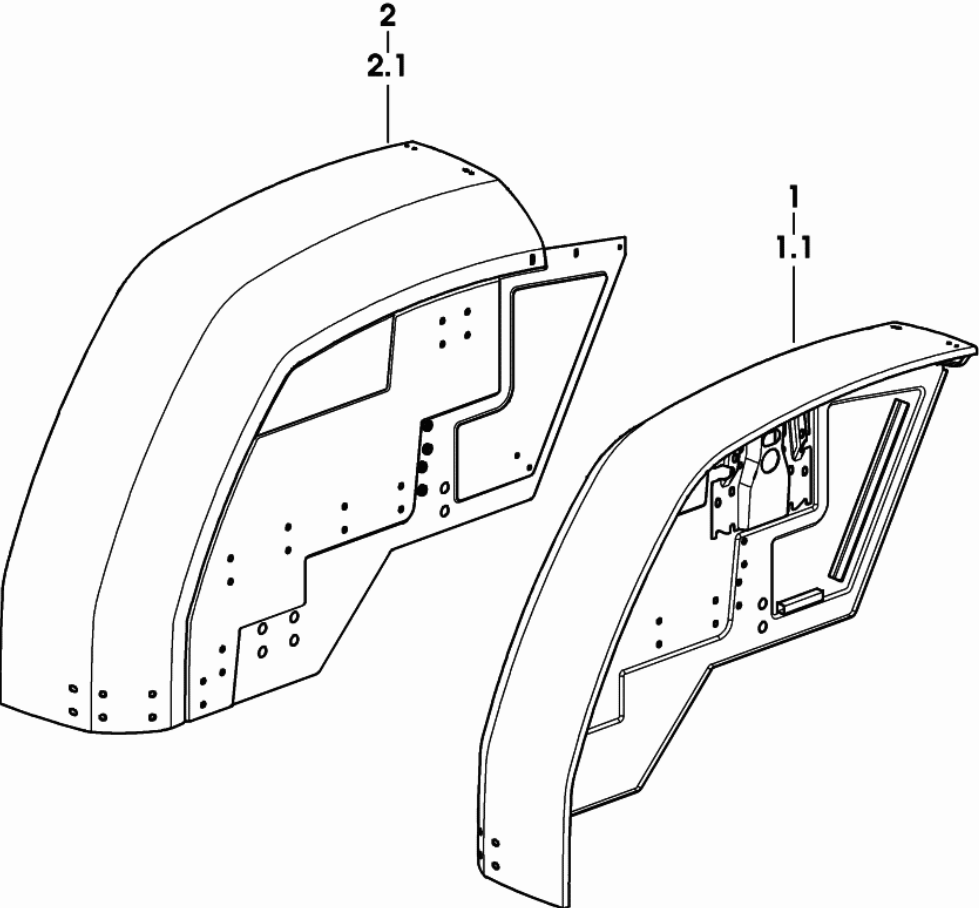
Section: BODY WORK
FENDER MOUNTINGS

Fig.	Code	QTY	Name
5	2.1470.006.2	8	lock washer 10
6	2.1011.106.2	8	nut m 10 p.1.5
10	2.3199.115.0	2	plug 38x12
11	2.1470.004.2	43	lock washer 8
12	2.1011.105.2	6	nut m 8 p.1.25
13	0.007.5607.0	8	rubber plug
14	2.1549.623.2/10	8	spacer 14.25x21x16
15	0.157.7693.0	4	rubber plug
16	2.1579.120.2	4	spacer 8.8x12x9.5
17	2.1599.245.0	4	snoulder 8.5x32x2
18	2.0112.211.2	2	screw m 8 p.1.25x30
19	2.0422.207.2	6	stud bolt m 8x30
20	2.1312.004.2	4	washer 9x24
21	2.1310.004.2	33	flat washer 8.4x16
22	2.0330.507.2	35	screw m 8x20
23	2.0112.307.2	8	screw m 10 p.1.5x20



Section: BODY WORK
REAR MUDGUARDS

Fig.	Code	QTY	Name
1	0.000.0000.1	0	not serviceable
1.1	0.013.1904.3/10	1	fender sx
2	0.000.0000.1	0	not serviceable
2.1	0.013.1907.3/20	1	fender dx

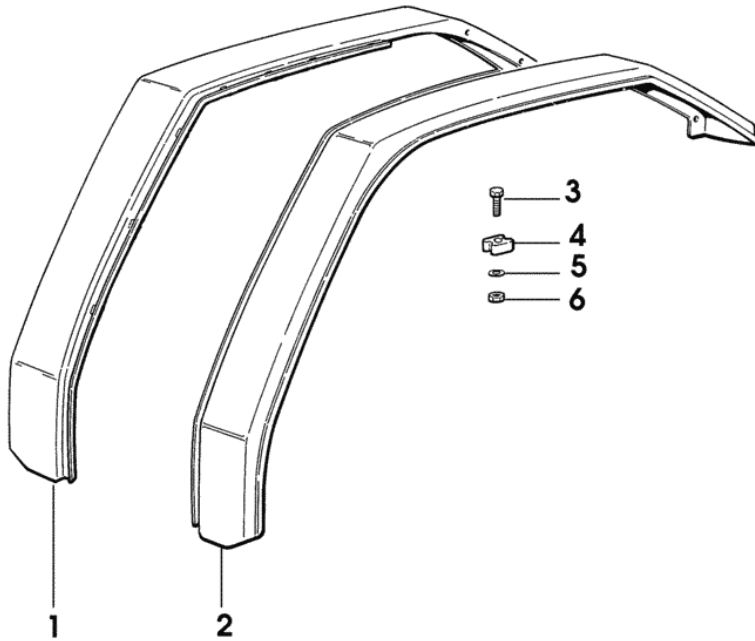


9_C2376_02_0_0

Section: BODY WORK

MUDGUARDS EXTENSIONS mm 185

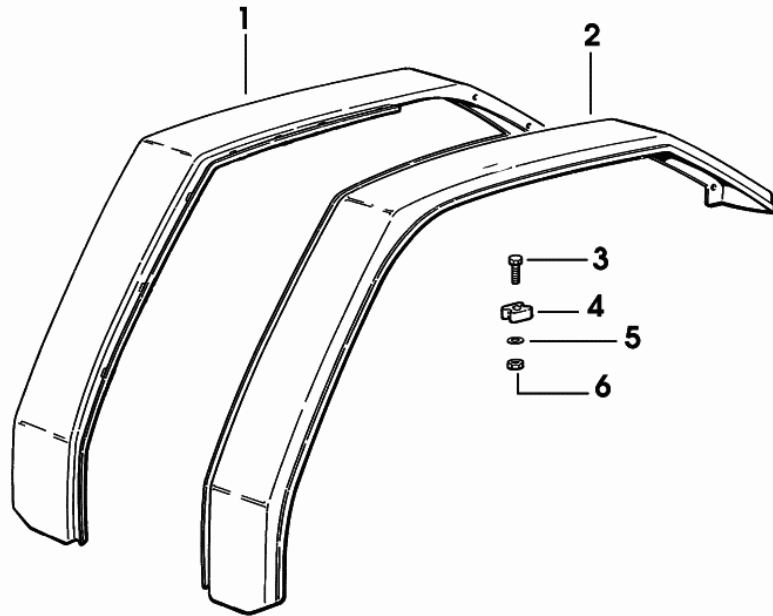
Fig.	Code	QTY	Name
1	0.008.8287.0/10	1	extension dx - mm 185
2	0.008.8288.0/10	1	extension sx mm 185
3	2.0112.207.2	20	screw m 8 p 1.25x20
4	0.007.5537.0	20	small block
5	2.1312.004.2	20	washer 9x24
6	2.1120.105.2	20	selflock nut m 8 p.1.25



Section: BODY WORK

MUDGUARDS EXTENSIONS mm 140

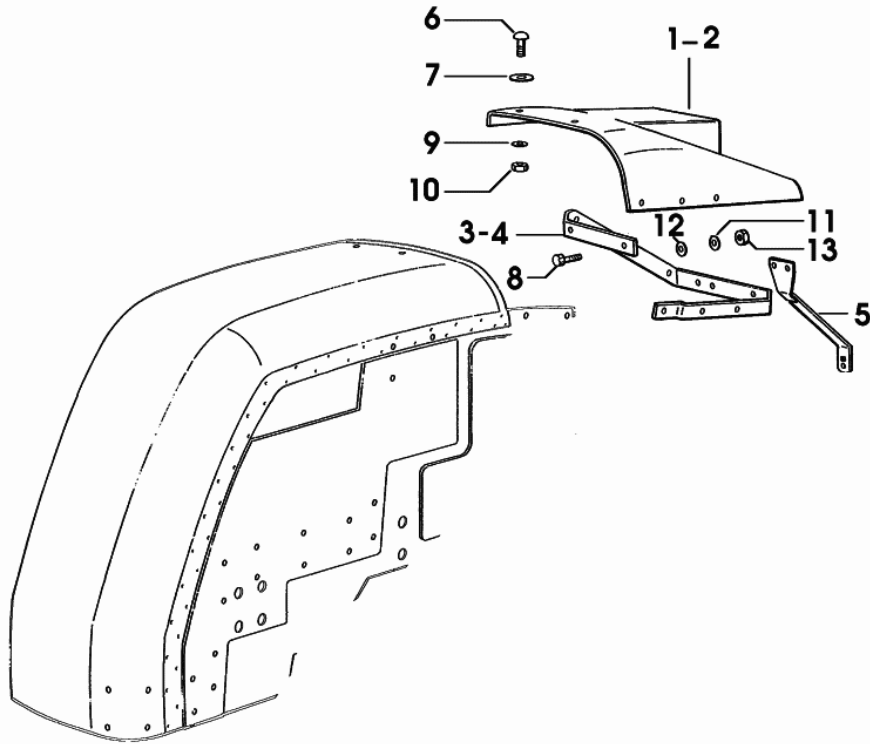
Fig.	Code	QTY	Name
1	0.008.8289.0/40	1	extension dx - mm 140
2	0.008.8290.0/40	1	extension sx mm 140
3	2.0112.207.2	20	screw m 8 p 1.25x20
4	0.007.5537.0	20	small block
5	2.1312.004.2	20	washer 9x24
6	2.1120.105.2	20	selflock nut m 8 p.1.25



9_50876_25_0_0

FENDERS

Fig.	Code	QTY	Name
1	0.008.8235.0/10	1	splash-guards dx
2	0.008.8236.0/10	1	splash-guards sx
3	0.008.8239.2	1	support dx
4	0.008.8240.2	1	support sx
5	0.007.2717.2	2	support
6	2.0099.014.0/20	22	screw m 6x20
7	2.1569.140.0	22	gasket 6.4x17x1.5
8	2.0112.207.2	4	screw m 8 p 1.25x20
9	2.1310.002.2	22	flat washer 6.4x12.5
10	2.1011.103.2	22	nut m 6 p.1
11	2.1470.004.2	4	lock washer 8
12	2.1310.004.2	8	flat washer 8.4x16
13	2.1011.005.2	4	nut m 8 p.1.25

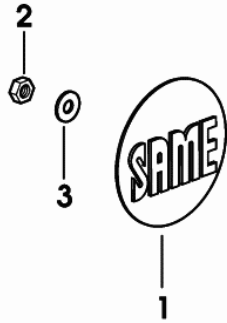


9_50876_05_0_0

Section: BODY WORK

BADGE FOR SPLASH GUARDS

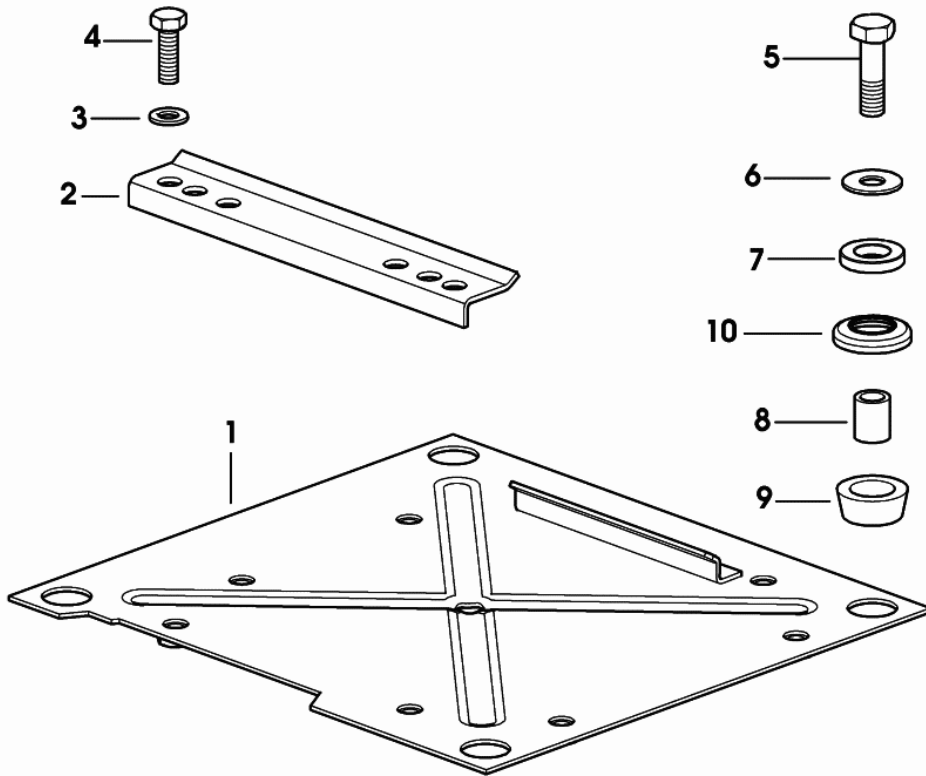
Fig.	Code	QTY	Name
1	2.3199.102.0	2	small cover SAME
2	2.1011.103.2	2	nut m 6 p.1
3	2.1310.002.2	2	flat washer 6.4x12.5



9_B2171_51_0_0

Section: BODY WORK
BATTERY SUPPORT

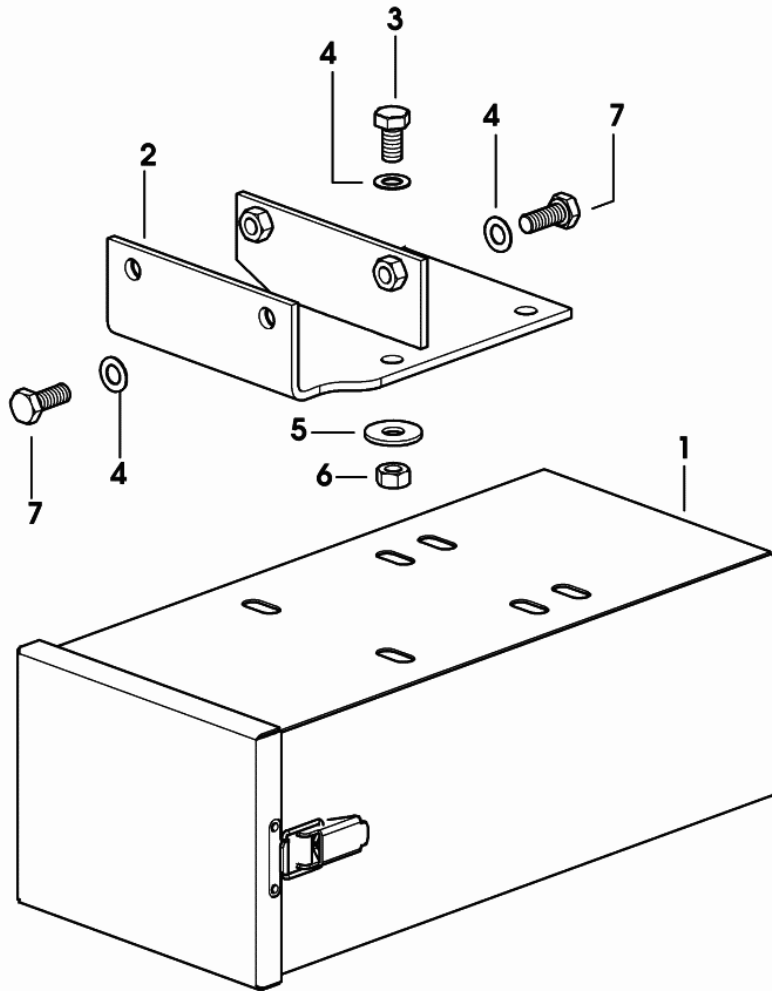
Fig.	Code	QTY	Name
1	0.014.2620.3	1	plate
2	0.007.5411.0/10	1	crosspiece
3	2.1310.004.2	2	flat washer 8.4x16
4	2.0112.209.2	2	screw m 8 p 1.25x25
5	2.0112.313.2	4	screw m 10 p.1.5x35
6	2.1599.044.2	4	snoulder 10.5x25.5x1.5
7	0.136.7387.0	4	rubber plug 15x27x5
8	2.1579.090.2	4	spacer 10.1x15x18
9	0.136.7385.0	4	rubber plug
10	0.136.7384.0	4	cup



9_C2373_03_0_0

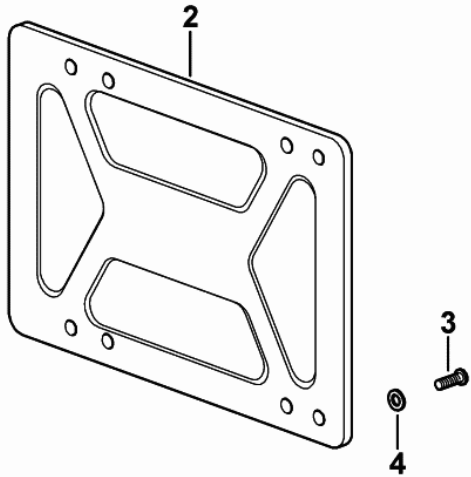
Section: BODY WORK
METAL TOOLBOX

Fig.	Code	QTY	Name
1	0.467.7317.3/70	1	metal toolbox
2	0.014.2753.3	1	bracket
3	2.0112.205.2	4	screw m 8 p.1.25x16
4	2.1470.004.2	4	lock washer 8
5	2.1312.004.2	4	washer 9x24
6	2.1011.105.2	4	nut m 8 p.1.25
7	2.0112.207.2	4	screw m 8 p 1.25x20



Section: BODY WORK
LICENCE PLATE HOLDER

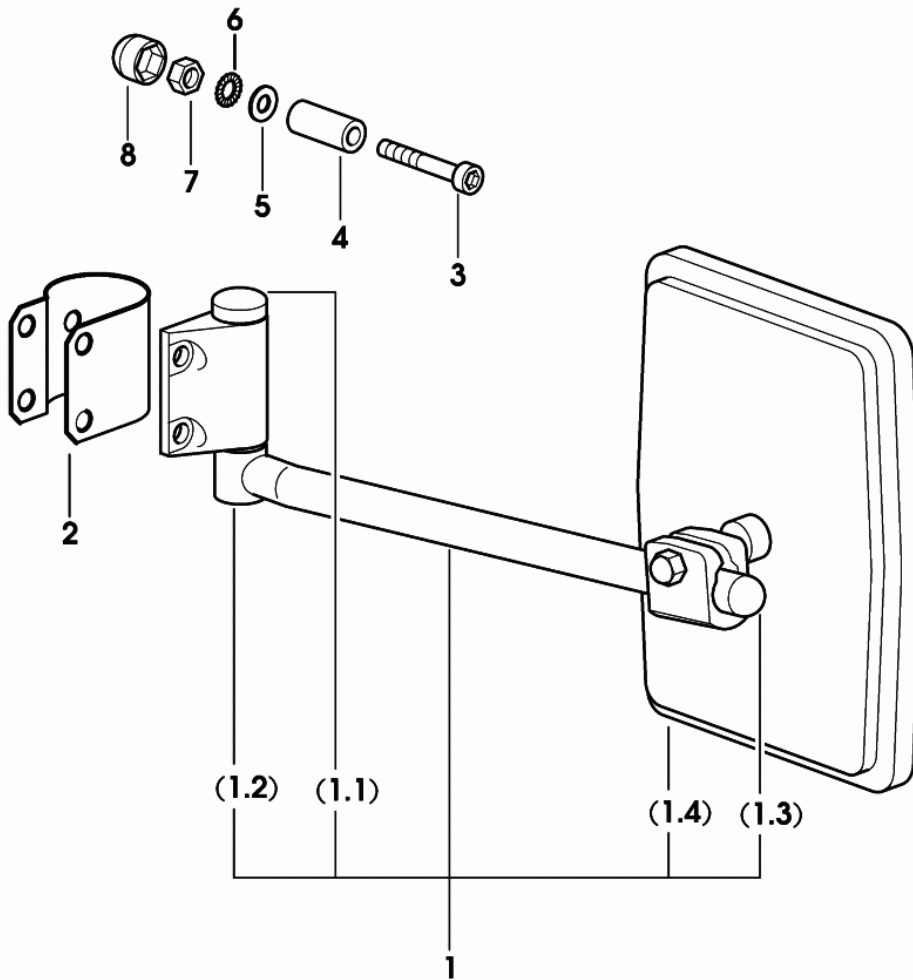
Fig.	Code	QTY	Name
2	0.467.7696.3	1	plate holder
3	2.0332.304.2	4	screw m 5 p.0.8x12
4	2.1310.001.2	4	flat washer 5.3x10



9_49076_60_0_0

Section: BODY WORK
REARVIEW MIRROR dx

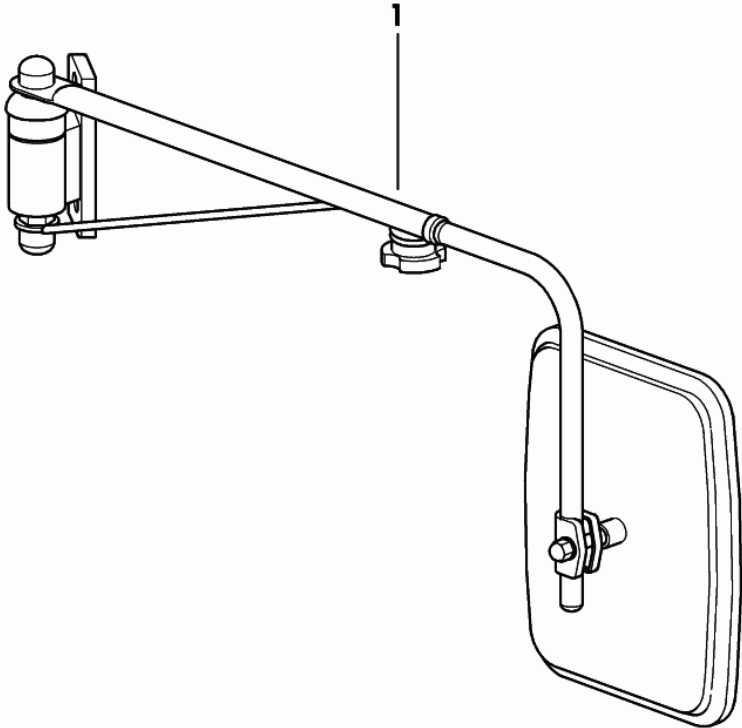
Fig.	Code	QTY	Name
1	0.9234.147.4/10	1	rear view mirror dx ☞ 617 => 617
2	0.011.8753.0	1	bracket
3	2.0312.217.2	2	screw m 8 p.1.25x55
4	2.1579.914.2	2	spacer 9.2x17.2x32
5	2.1310.004.2	2	flat washer 8.4x16
6	2.1474.009.2	2	spring washer 8
7	2.1011.105.2	2	nut m 8 p.1.25
8	0.163.7856.0	2	cap



9_58976_71_0_0

Section: BODY WORK
REARVIEW MIRROR - SX

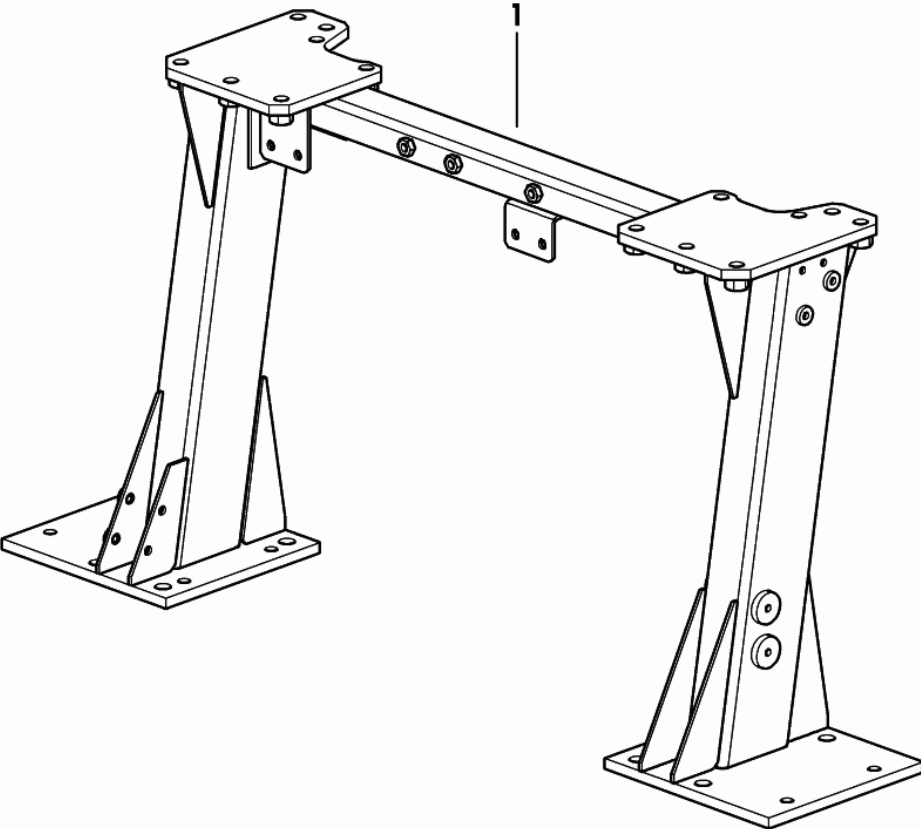
Fig.	Code	QTY	Name
1	0.010.1604.4/40	1	rear view mirror sx ☞ 618 => 618



9_20176_65_0_A

Section: BODY WORK
SAFETY ARCH

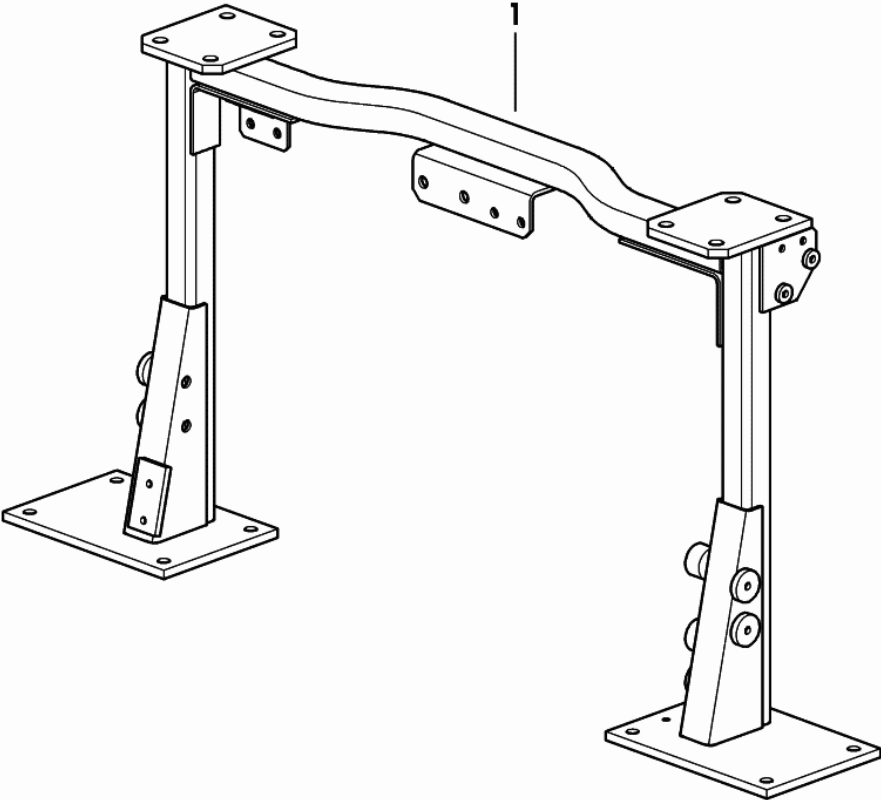
Fig.	Code	QTY	Name
1	0.013.2040.3/40	1	safety frame



9_C2378_05_0_0

Section: BODY WORK
SAFETY ARCH

Fig.	Code	QTY	Name
1	0.014.1141.2/20	1	safety frame

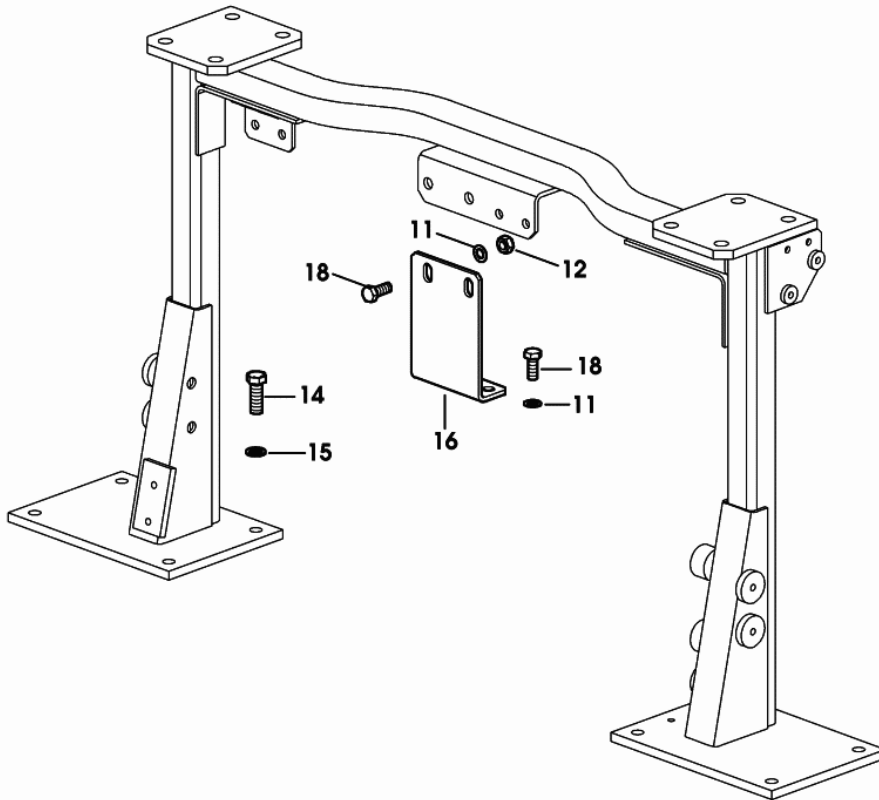


9_C2378_06_0_0

Section: BODY WORK

SAFETY ROLL BAR MOUNTINGS

Fig.	Code	QTY	Name
11	2.1475.103.2	4	washer 10.5x20
12	2.1011.106.2	2	nut m 10 p.1.5
14	2.0112.413.2	8	screw m 12 p.1.75x35
15	2.1470.007.2	8	lock washer 12
16	0.014.1144.0/10	1	bracket
18	2.0112.309.2	4	screw m 10 p.1.5x25



9_C2278_02_0_0

Section: BODY WORK

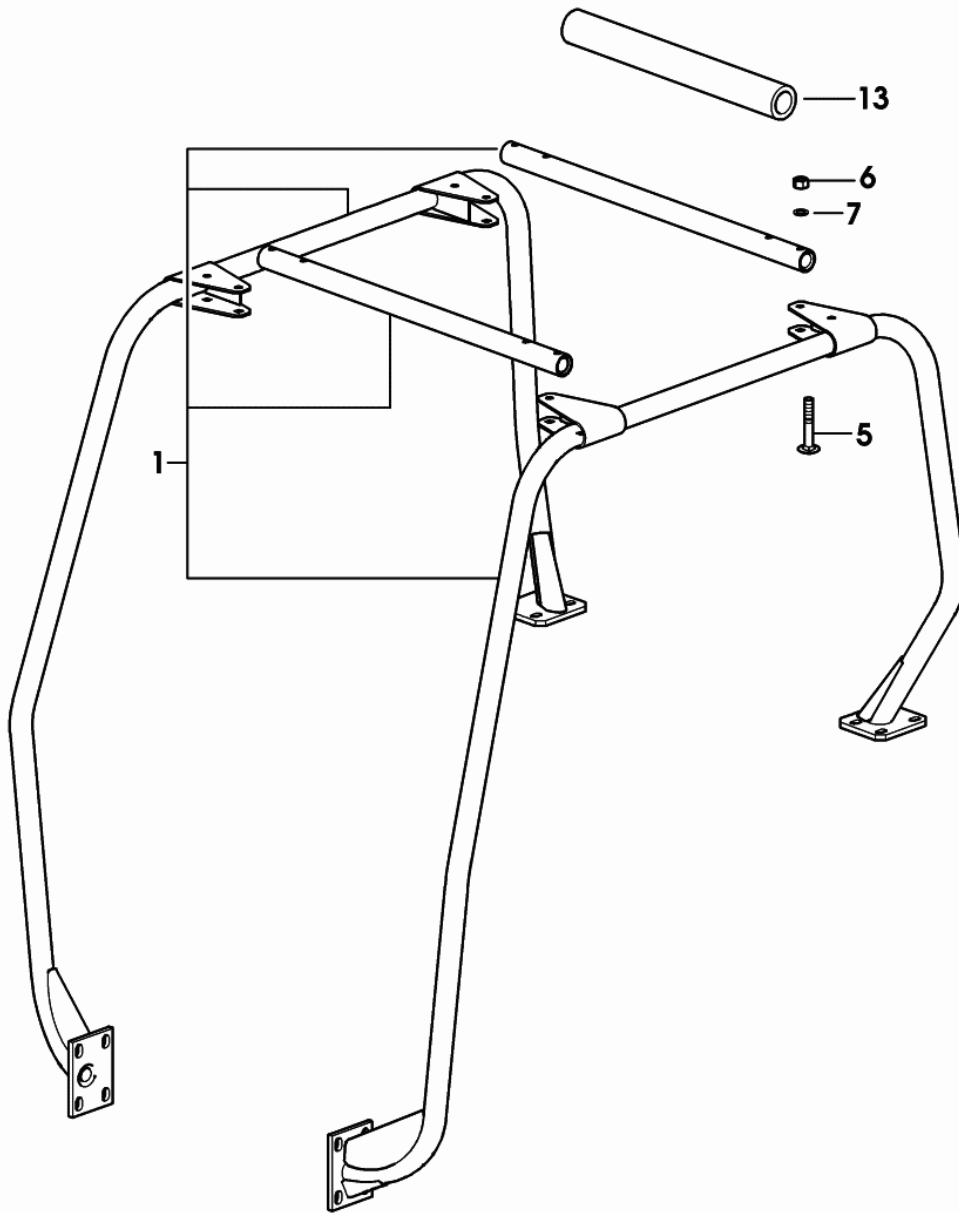
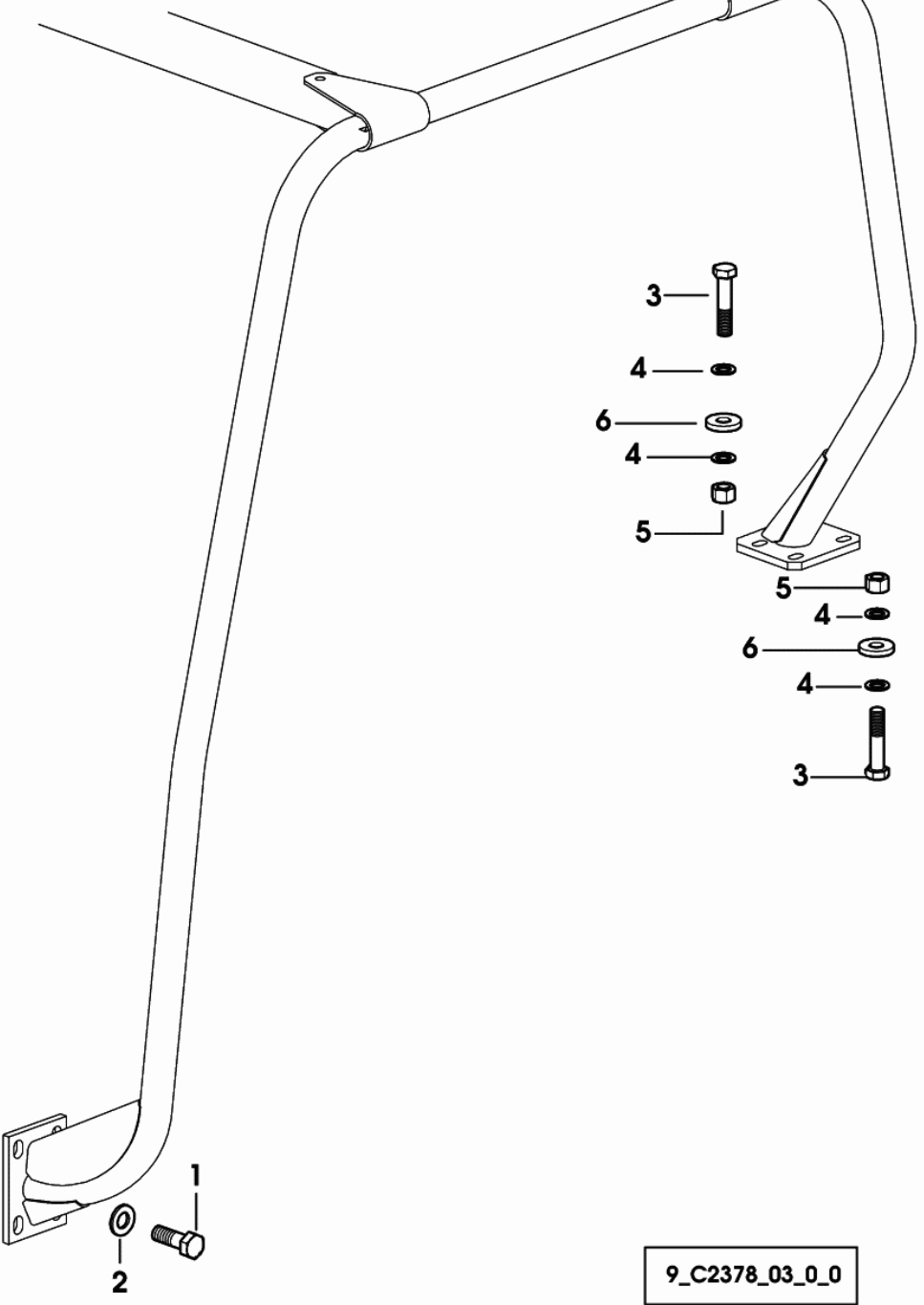
SAFETY ARCH

Fig.	Code	QTY	Name
1	0.014.0968.4	1	safety frame
5	2.0029.504.2	8	screw m 12x75
6	2.1011.107.2	8	nut m 12 p.1.75
7	2.1475.004.2	8	washer 13x24
13	0.008.8486.0	2	tube

9_C2378_01_0_0

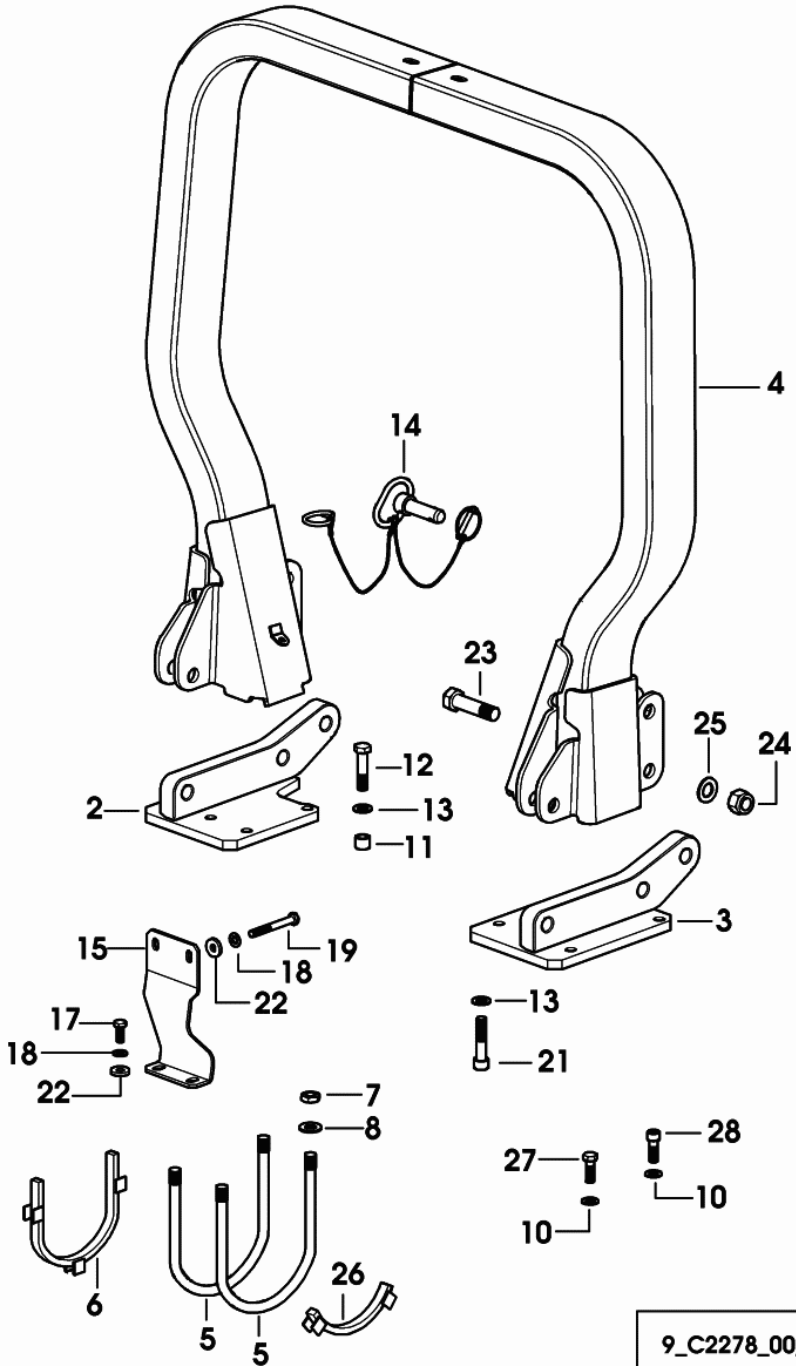
Section: BODY WORK
SAFETY ROLL BAR MOUNTINGS

Fig.	Code	QTY	Name
1	2.0112.617.2	8	screw m 16 p.2x45
2	2.1475.006.2	8	washer 17x32
3	2.0123.522.2	8	screw
4	2.1475.005.2	16	washer 15x27
5	2.1011.308.2	8	nut m 14 p.1.5
6	2.1549.624.2/10	8	spacer



Section: BODY WORK
SAFETY ARCH

Fig.	Code	QTY	Name
2	0.013.2069.2/10	1	support
3	0.013.2070.2/10	1	support
4	0.013.2075.3/10	1	safety frame
5	0.014.2694.0	4	u bolt
6	0.009.9664.2	2	shim
7	2.1011.209.2	8	nut m 16
8	2.1475.006.2	8	washer 17x32
10	2.1475.004.2	8	washer 13x24
11	2.1549.623.2/10	4	spacer 14.25x21x16
12	2.0123.521.2	10	screw
13	2.1475.005.2	12	washer 15x27
14	0.013.2219.4	2	pin
15	0.014.2208.0	1	bracket
17	2.0313.308.2	2	screw m 10x25
18	2.1475.003.2	4	washer 10.5x20
19	2.0113.326.2	2	screw
21	2.0313.519.2	2	screw
22	2.1549.614.2	4	spacer
23	2.0112.825.2	2	screw m 20x80
24	2.1120.011.2	2	nut
25	2.1310.013.2	2	flat washer 21x37
26	0.013.7120.2	2	shim
27	2.0113.413.2	4	screw m 12 p.1.75x35
28	2.0313.412.2	4	screw

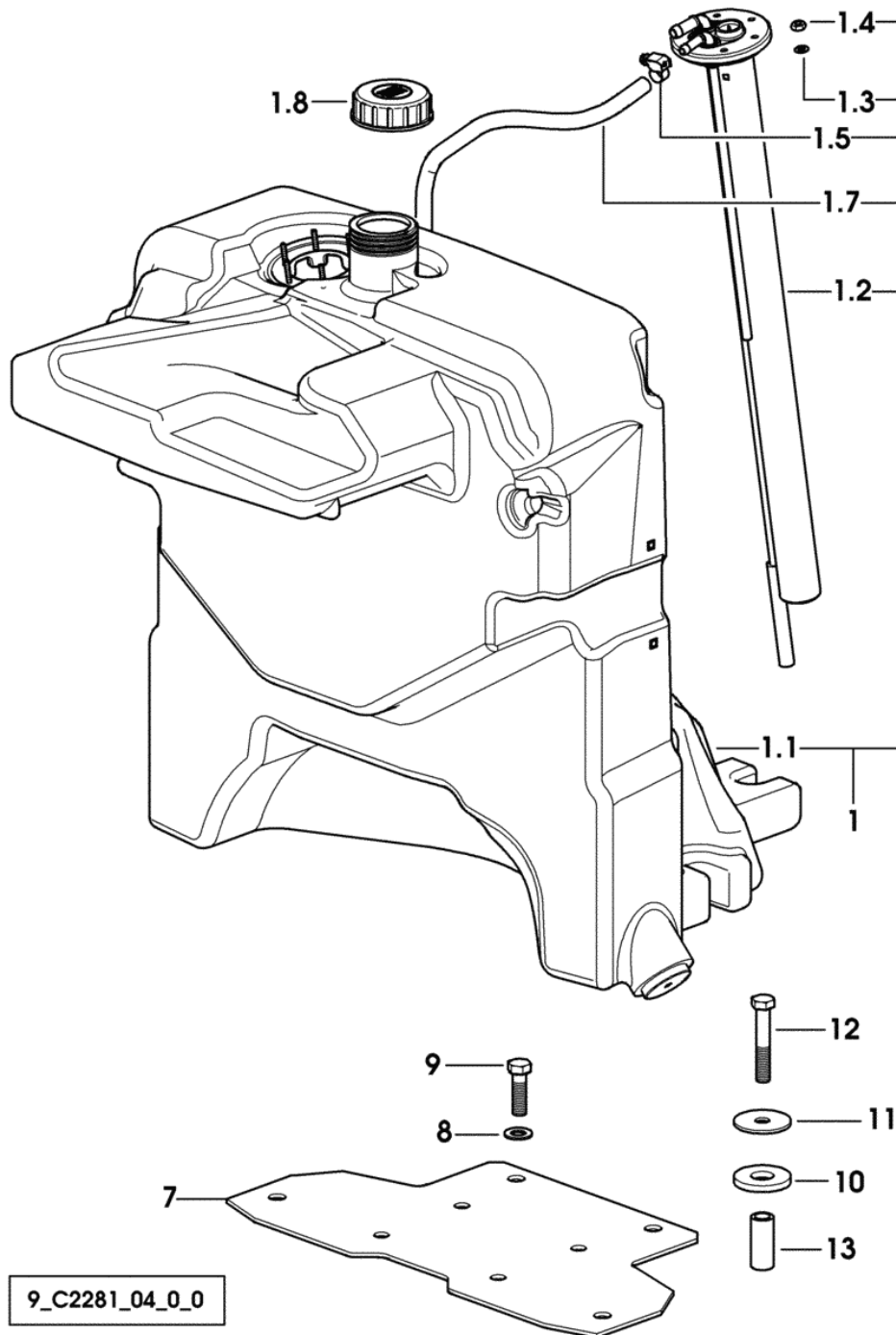


9_C2278_00_0_0

Section: BODY WORK

FUEL TANK

Fig.	Code	QTY	Name
1	0.000.0000.1	0	not serviceable
1.1	0.013.7300.3/30	1	tank
1.2	2.7059.817.0	1	float level
1.3	2.1311.002.2	6	flat washer 4
1.4	2.1011.101.2	6	nut m 4
1.5	2.6851.019.0	1	clamp 13-20
1.7	0.011.5937.0	0	tube
1.8	0.012.3914.3	1	plug
7	0.013.4661.3/10	1	bracket
8	2.1475.004.2	4	washer 13x24
9	2.0112.415.2	4	screw m 12 p.1.75x40
10	2.1569.161.0	4	gasket 20x50x6
11	2.1599.354.2	4	washer 12.5x50x3
12	2.0112.423.2	4	screw m 12 p.1.75x70
13	2.1549.618.2	4	spacer



9_C2281_04_0_0

Section: BODY WORK
DRY AIR FILTER

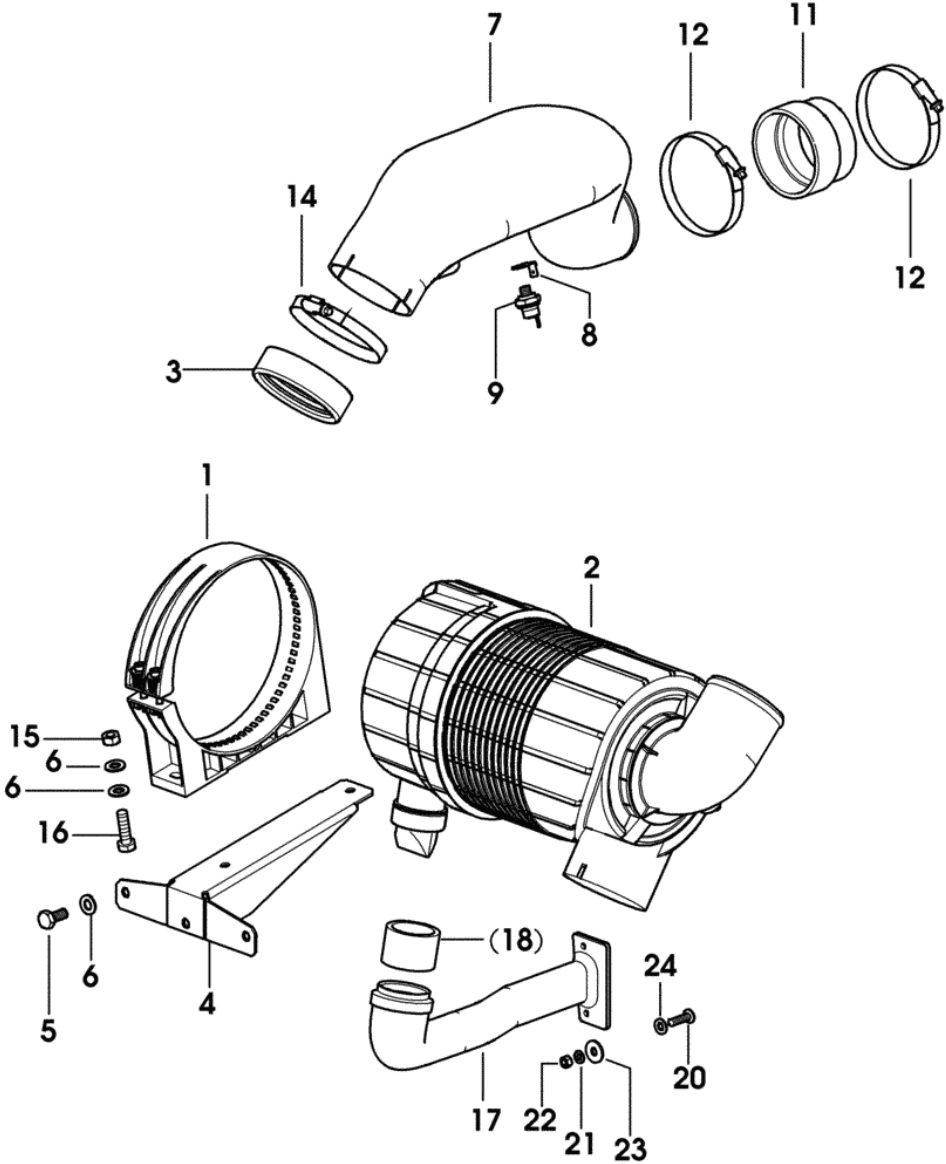
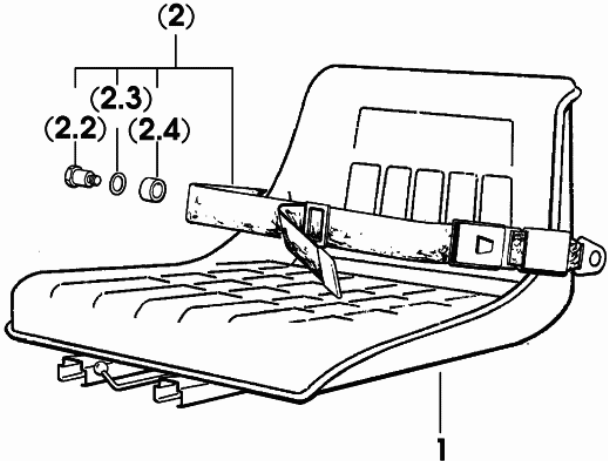


Fig.	Code	QTY	Name
1	0.014.0679.4	1	support
2	2.4249.715.0	1	air filter ↳ 619 => 619
3	0.293.8152.0	1	ring
4	0.014.0683.3/20	1	bracket
5	2.0112.206.2	3	screw m 8 p.1.25x18
6	2.1310.004.2	7	flat washer 8.4x16
7	0.013.5658.2/10	1	sleeve
8	0.164.8450.0	1	terminal
9	2.7099.320.0/10	1	pressure switch
11	0.013.9991.0	1	sleeve
12	2.6851.010.0	2	clamp 90-110
14	2.6851.010.0	1	clamp 90-110
15	2.1011.105.2	2	nut m 8 p.1.25
16	2.0112.210.2	2	screw m 8 p.1.25x28
17	0.014.0952.0/20	1	manifold
18	0.014.0907.0	1	sleeve 1083 <- X EXPLORER 75 T 1010 <- X EXPLORER 75 TB
20	2.0332.407.2	2	screw m 6x20
21	2.1470.001.2	2	lock washer 5
22	2.1011.102.2	2	nut m 5 p.0.7
23	2.1312.003.2	2	washer 6.6x18
24	2.1310.002.2	2	flat washer 6.4x12.5

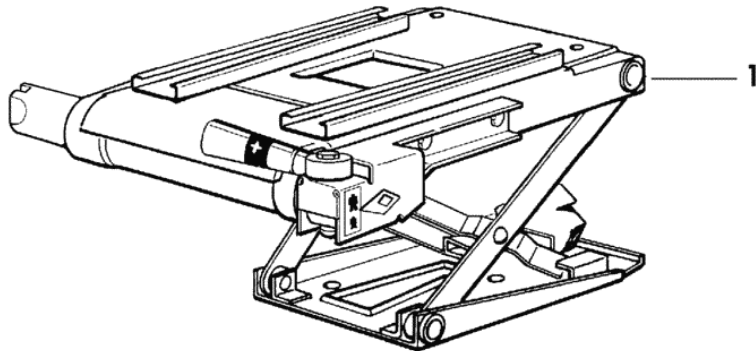
Section: BODY WORK
DRIVER'S SEAT

Fig.	Code	QTY	Name
1	0.010.5360.4/10	1	seat



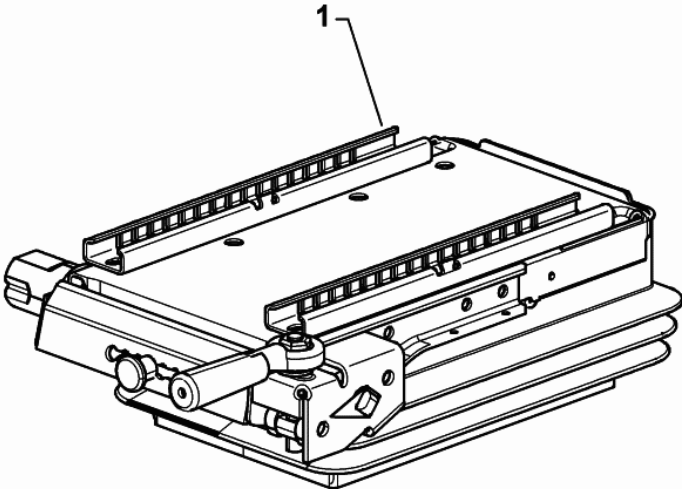
Section: BODY WORK
SEAT SPRINGING

Fig.	Code	QTY	Name
1	0.010.5357.4	1	seat springs ☞ 620 => 620



Section: BODY WORK
SEAT SPRINGING

Fig.	Code	QTY	Name
1	0.010.5356.4	1	seat springs ↳ 621 => 621

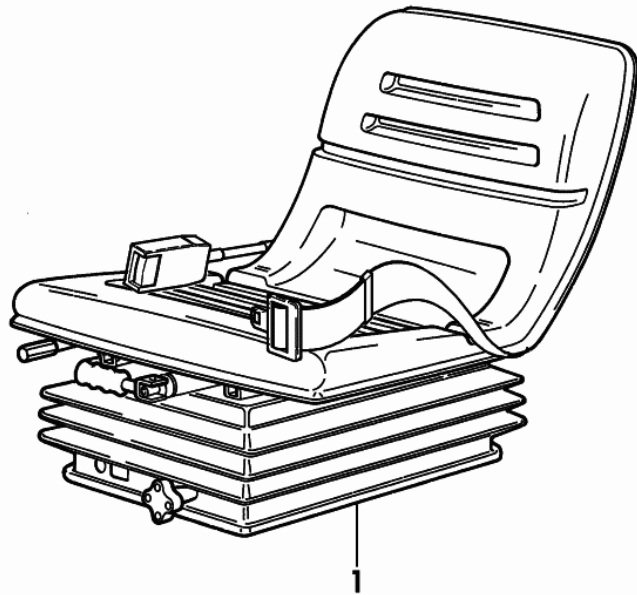


9_50875_02_0_0

Section: BODY WORK

DRIVER'S SEAT SABLE - PVC

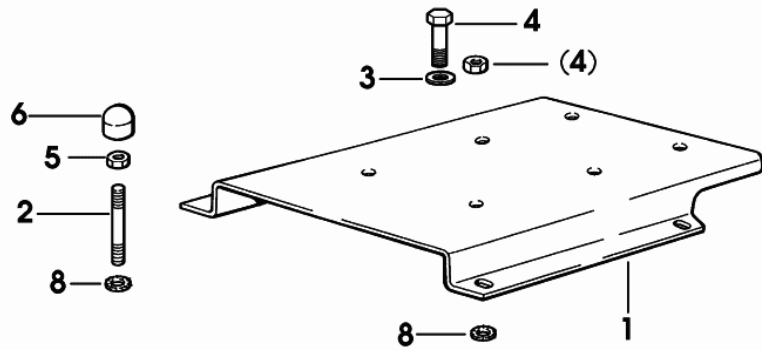
Fig.	Code	QTY	Name
1	0.007.5683.4/10	1	seat GRAMMER MSG 83/7L ☞ 622 => 622



9_49075_10_0_0

Section: BODY WORK
SEAT SUPPORT BRACKET

Fig.	Code	QTY	Name
1	0.255.7536.0/10	1	bracket
2	2.0439.060.2	4	stud bolt m 8 p.1.25-1x22
3	2.1310.004.2	8	flat washer 8.4x16 -> 1056 X EXPLORER 75T -> 1007 X EXPLORER 75TB -> 1050 X EXPLORER 85T X EXPLORER 85TB -> 1051 X EXPLORER 95T -> 1030 X EXPLORER 95TB
4	2.1011.105.2	4	nut m 8 p.1.25 1055 <- X EXPLORER 75 T 1006 <- X EXPLORER 75 TB 1049 <- X EXPLORER 85 T 1050 <- X EXPLORER 95 T 1029 <- X EXPLORER 95 TB
4	2.0112.207.2	4	screw m 8 p 1.25x20 -> 1056 X EXPLORER 75T -> 1007 X EXPLORER 75TB -> 1050 X EXPLORER 85T X EXPLORER 85TB -> 1051 X EXPLORER 95T -> 1030 X EXPLORER 95TB
5	2.1011.405.2	4	nut m 8 p.1
6	0.163.7856.0	4	cap
8	2.1470.004.2	8	lock washer 8



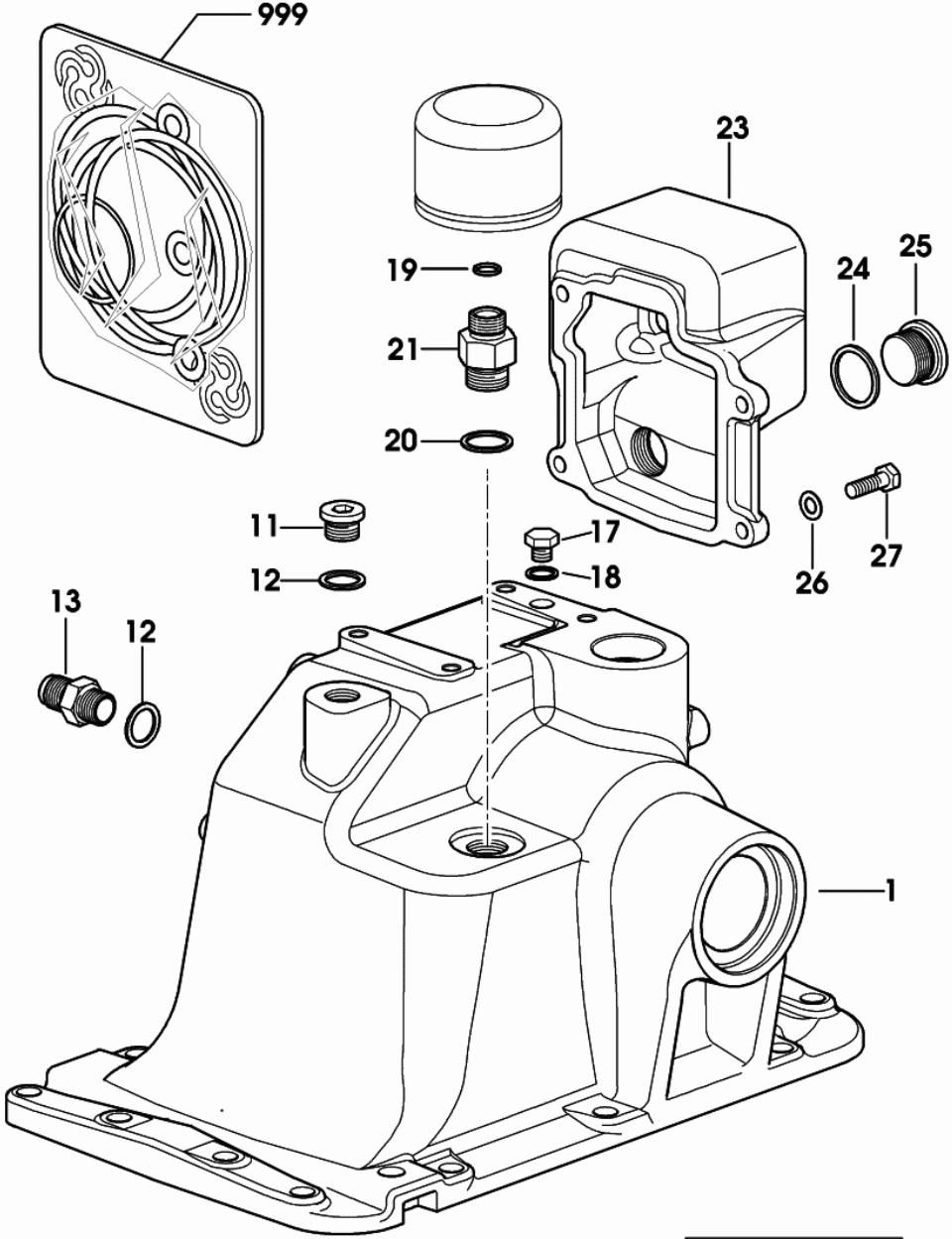
EXPLORER 75 T

S.A.C.

S.A.C. CASE.....	493
S.A.C. CASE.....	494
LIFTING.....	498
HYDRAULIC CYLINDERS.....	500
REGULATING DISTRIBUTOR.....	504
REGULATING DISTRIBUTOR.....	505
INTERNAL AND EXTERNAL CONTROLS.....	506
CONTROL CONSOLE.....	509
CONTROL TIE RODS AND LEVERS.....	514
CONTROL TIE RODS AND LEVERS.....	516
CONTROL TIE RODS AND LEVERS.....	516.1
CONTROL TIE RODS AND LEVERS - WITH FOLD-DOWN ROPS.....	516.2
CONTROL TIE RODS AND LEVERS.....	519
SENSITIVE ELEMENTS.....	520
CONTROL TIE RODS AND LEVERS.....	521
S.A.C. GROUND CONTROL.....	523

Section: S.A.C.
S.A.C. CASE

Fig.	Code	QTY	Name
999	0.9123.014.6	1	seal ring kit
1	0.9123.110.0/10	1	hydraulics housing
11	2.3120.101.0	1	plug m 18 p.1.5
12	2.1560.014.0	2	gasket 18.2x24x1.5
13	2.3339.235.2	1	pipe fitting M 18 x 1" 1/16-12jic
17	2.3110.401.1	1	plug m 10 P.1X8
18	2.1560.006.0	1	gasket 10.5
19	2.1530.026.0	1	'o' ring 11.11x1.78
20	2.1560.017.0	1	gasket 22.2x27
21	2.3339.347.2	1	pipe fitting
23	0.9123.150.0	1	spacer
24	2.1560.021.0	1	gasket 28.3x34
25	2.3120.003.4	1	plug m 28 p.1.5
26	2.1470.004.2	4	lock washer 8
27	2.0112.209.2	4	screw m 8 p 1.25x25

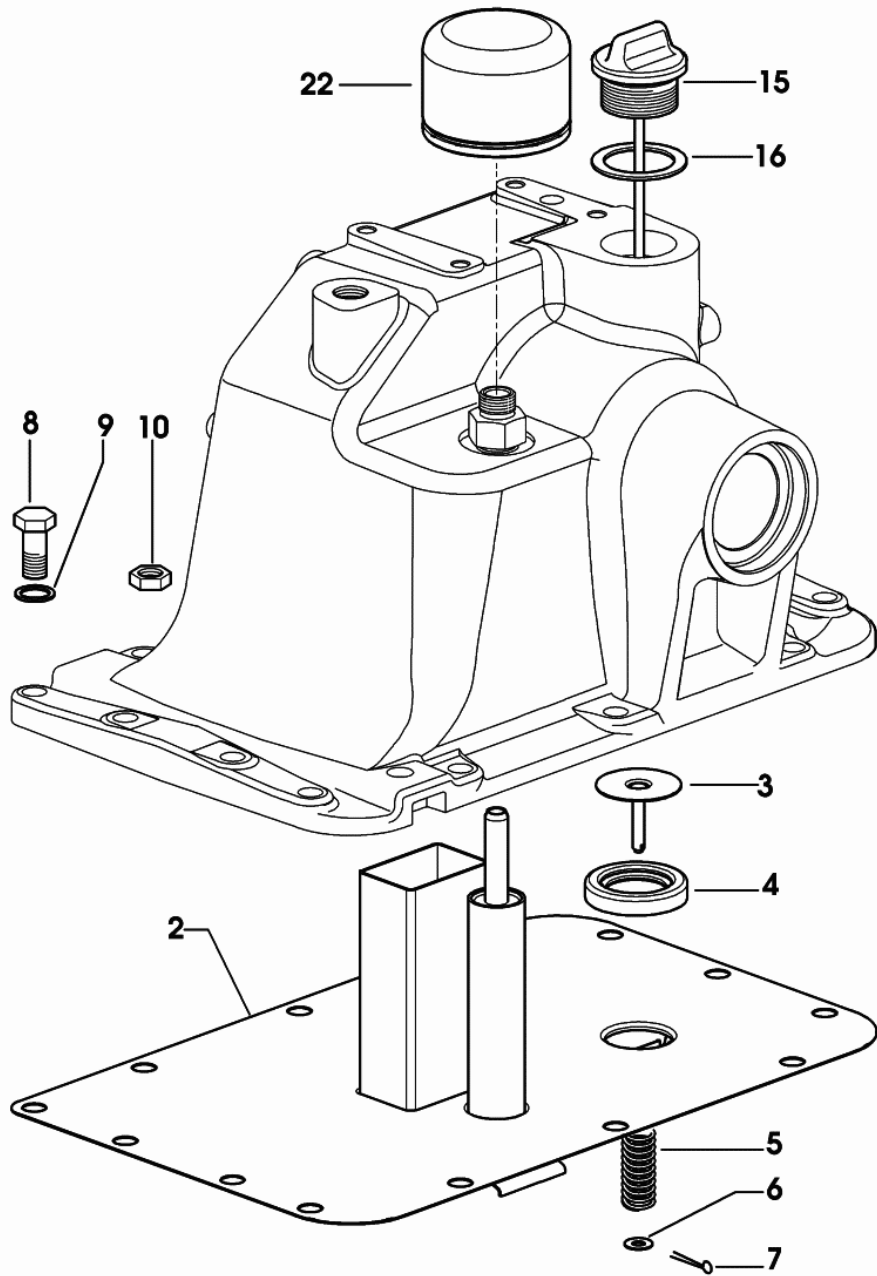


W9_50859_01_0_0

Section: S.A.C.

S.A.C. CASE

Fig.	Code	QTY	Name
2	0.9104.113.3/50	1	cover
3	0.9104.154.2	1	valve
4	0.9104.158.0	1	gasket
5	2.4019.304.0/10	1	spring
6	2.1311.004.2	1	flat washer 6
7	2.1690.205.2	1	split pin 2x12
8	2.0112.413.2	10	screw m 12 p.1.75x35
9	2.1474.011.2	14	spring washer 12
10	2.1011.422.2	3	nut m 12 p.1.25
15	0.9104.116.3/20	1	plug
16	2.1560.228.0	1	gasket
22	0.9104.153.3	1	breather



9_50859_02_0_0

LIFTING

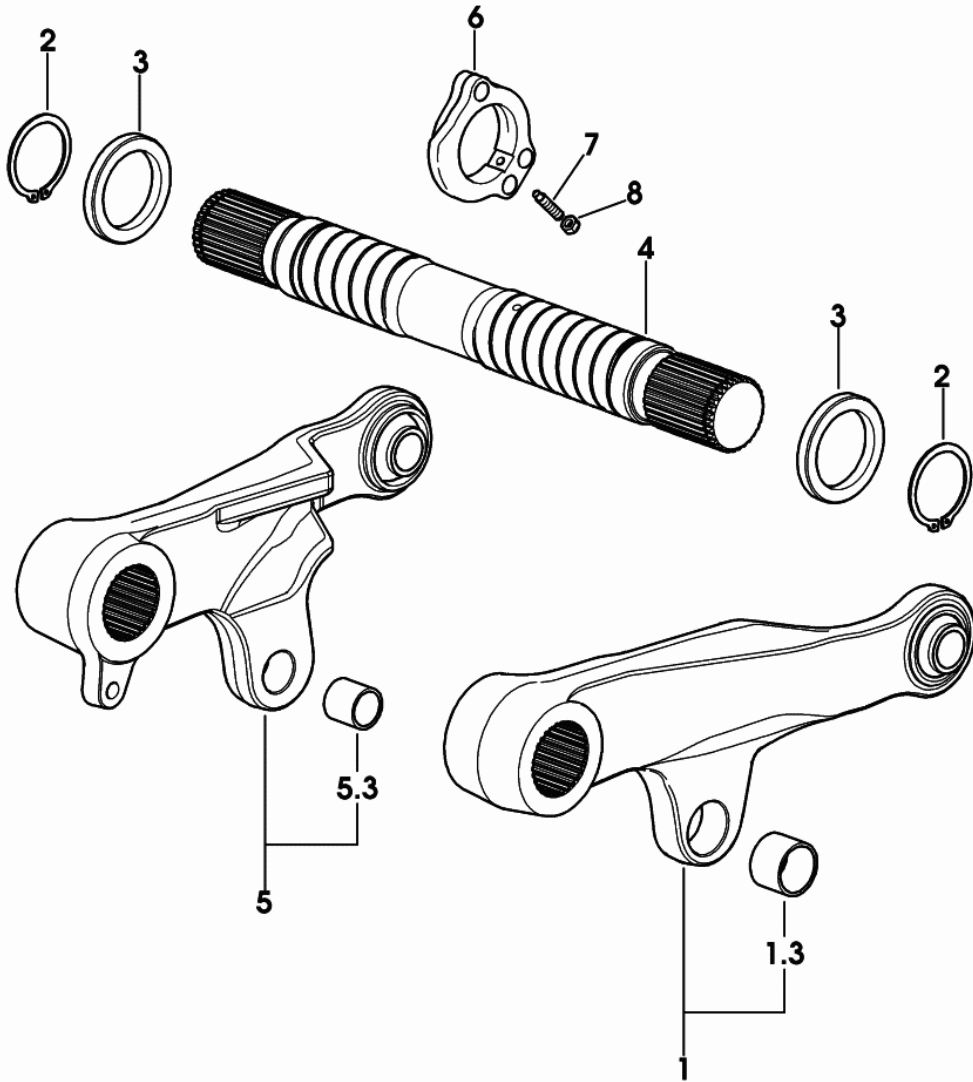


Fig.	Code	QTY	Name
1	0.9104.325.3/10	1	lift lever sx
1.3	2.1559.173.0	1	bushing
2	2.1410.019.1	2	circlip 48
3	2.1529.071.0/10	2	'o' ring 52x70x8
4	0.9104.321.0/40	1	shaft
5	0.9104.324.3/20	1	lift lever dx
5.3	2.1559.174.0	1	bushing 22x27x25
6	0.9104.327.3/10	1	cam
7	2.0599.052.1	1	grain
8	2.1011.103.2	1	nut m 6 p.1

W9_51159_22_0_0

Section: S.A.C.

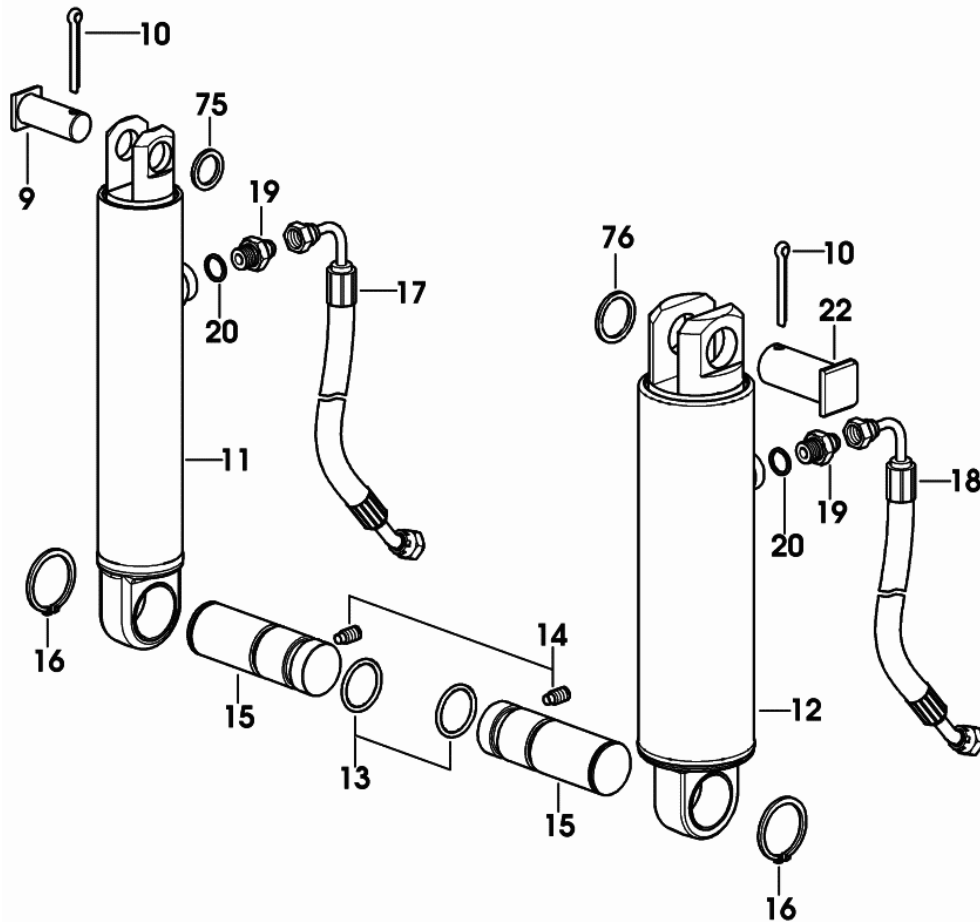
HYDRAULIC CYLINDERS

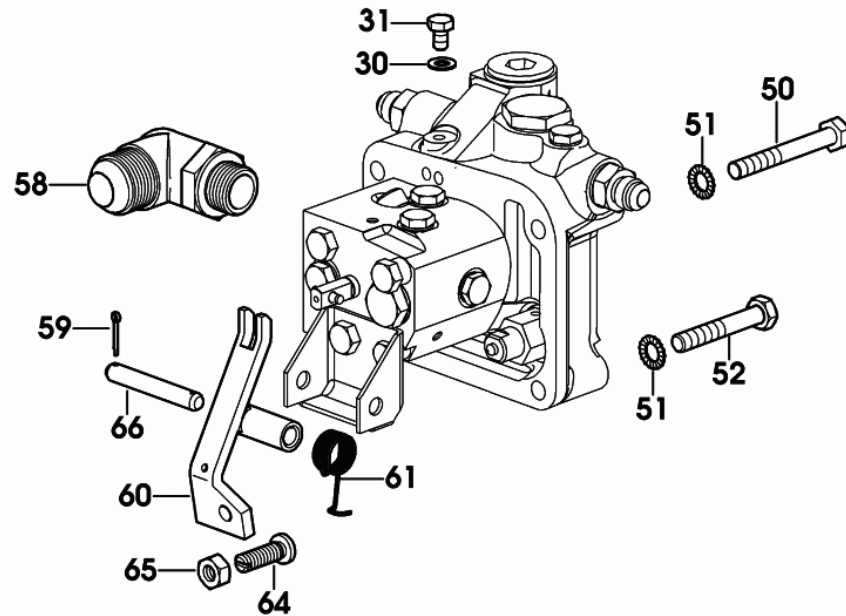
Fig.	Code	QTY	Name
9	2.1699.372.0/30	1	pin 22x59
10	2.1690.616.2	2	split pin 6.3x50
11	0.9123.330.4/20	1	jack mm 50 ☞ 641 => 641
12	0.9123.331.4/20	1	jack mm 70 ☞ 642 => 642
13	2.1530.086.0	2	'o' ring
14	2.0522.308.7	2	screw m 10 p.1.5x20
15	0.9104.334.0/10	2	pin
16	2.1410.016.1	2	circlip 40x1.75
17	0.9123.340.3/20	1	tube dx
18	0.9123.341.3/10	1	tube sx
19	2.3261.007.2	2	pipe fitting m 16 p.1.5-9/16"
20	2.1560.011.0	2	gasket 16.2x20
22	2.1699.373.0/30	1	pin 30x72
75	2.1599.656.2	1	washer 22x30x3
76	2.1599.657.2	1	washer 30x38x3

9_51159_21_0_0

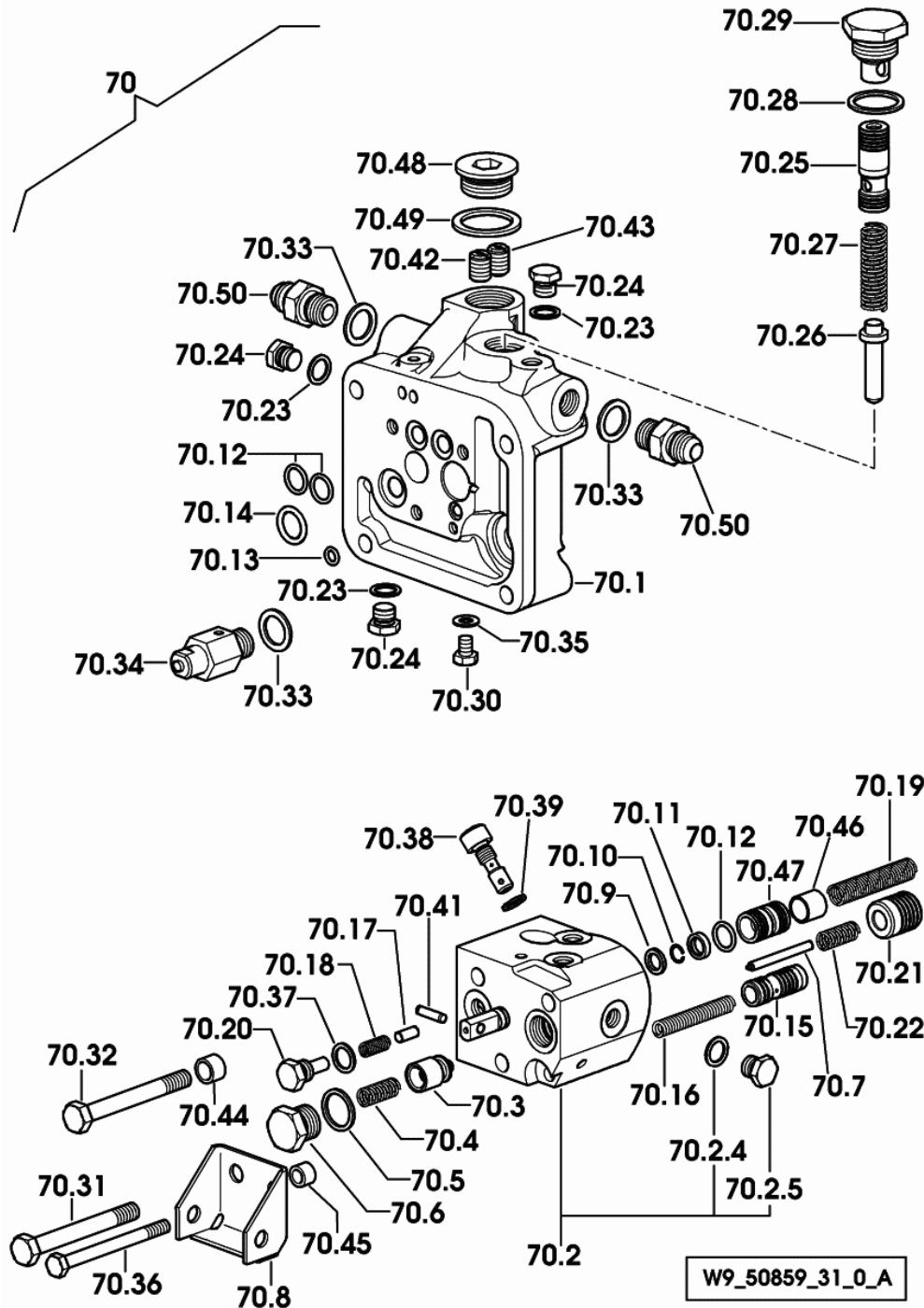
Section: S.A.C.

REGULATING DISTRIBUTOR

Fig.	Code	QTY	Name
30	2.1560.002.0	2	gasket 6.12x12
31	2.0112.002.2	2	screw m 6 p.1x10
50	2.0112.221.2	3	screw m 8 p.1.25x60
51	2.1470.004.2	3	lock washer 8
52	2.0112.219.2	1	screw m 8 p.1.25x50
58	2.3264.021.2	1	pipe fitting m 22 p.1.5 - 1" 1/16
59	2.1690.206.2	2	split pin 2x16
60	0.9123.452.2	1	lever
61	2.4099.031.0	1	spring
64	2.0399.123.0	1	screw
65	2.1011.405.2	1	nut m 8 p.1
66	2.1660.310.2	1	pin



W9_50859_31_0_B



Section: S.A.C.
REGULATING DISTRIBUTOR

Fig.	Code	QTY	Name
70	0.9123.420.4/30	1	distributor
70.1	0.9123.410.0/30	1	body
70.2	0.9087.420.3/70	1	distributor
70.2.4	2.3110.401.1	3	plug m 10 P.1X8
70.2.5	2.1560.005.0	3	gasket 10.2x14
70.3	0.9087.452.3/10	1	valve
70.4	2.4019.257.1	1	spring 8.8x25x1.1
70.5	2.1560.011.0	1	gasket 16.2x20
70.6	2.3199.062.2	1	plug m 16 p.1.5
70.7	0.9087.450.0/20	1	stem
70.8	0.9123.451.0	1	support
70.9	0.9087.456.0	1	washer
70.10	2.1420.002.0	1	circlip a 8
70.11	0.9087.455.0	1	ring
70.12	2.1531.025.0	3	ring 10.82x1.78
70.13	2.1531.009.0	1	ring 5.28x1.78
70.14	2.1531.033.0	1	ring 13.11x2.62
70.15	0.9087.457.0/10	1	valve
70.16	2.4019.256.1	1	spring 7.8x54x1.4
70.17	2.1699.155.0	1	pin 5x11.5
70.18	2.4019.258.1	1	spring 7.8x25.5x0.9
70.19	2.4019.337.1	1	spring
70.20	2.3199.061.2	1	plug m 10 p.1
70.21	0.9087.451.0/20	1	small piston
70.22	2.4019.257.1	1	spring 8.8x25x1.1
70.23	2.1560.005.0	3	gasket 10.2x14
70.24	2.3110.401.1	3	plug m 10 P.1X8
70.25	0.9123.531.0	1	valve
70.26	0.9087.468.0	1	pin
70.27	2.4019.006.1	1	spring 12.2x70x1.2
70.28	2.1560.054.0	1	gasket 21x26
70.29	0.002.2263.0	1	plug
70.30	2.0112.001.2	2	screw
70.31	2.0112.223.2	2	screw m 8 p.1.25x70
70.32	2.0112.224.2	1	screw m 8 p.1.25x75
70.33	2.1560.010.0	3	gasket 14.2x20
70.34	0.9087.464.3	1	valve
70.35	2.1560.002.0	2	gasket 6.12x12
70.36	2.0112.023.2	1	screw m 6 p.1x70
70.37	2.1569.095.0	1	gasket 10.4x14x1.2
70.38	0.9087.463.3/20	1	screw
70.39	2.1560.003.0	1	gasket 8.2x12
70.41	2.1631.307.0	1	roll pin 4x16
70.42	0.9123.450.3/10	1	grain

Section: S.A.C.

REGULATING DISTRIBUTOR

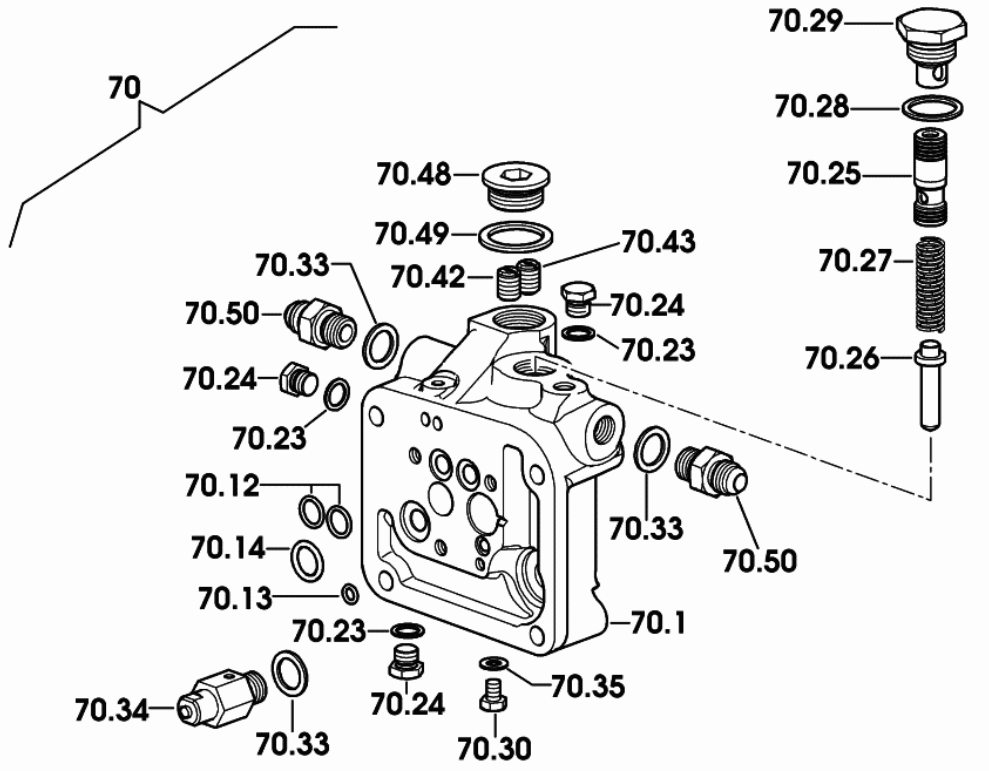
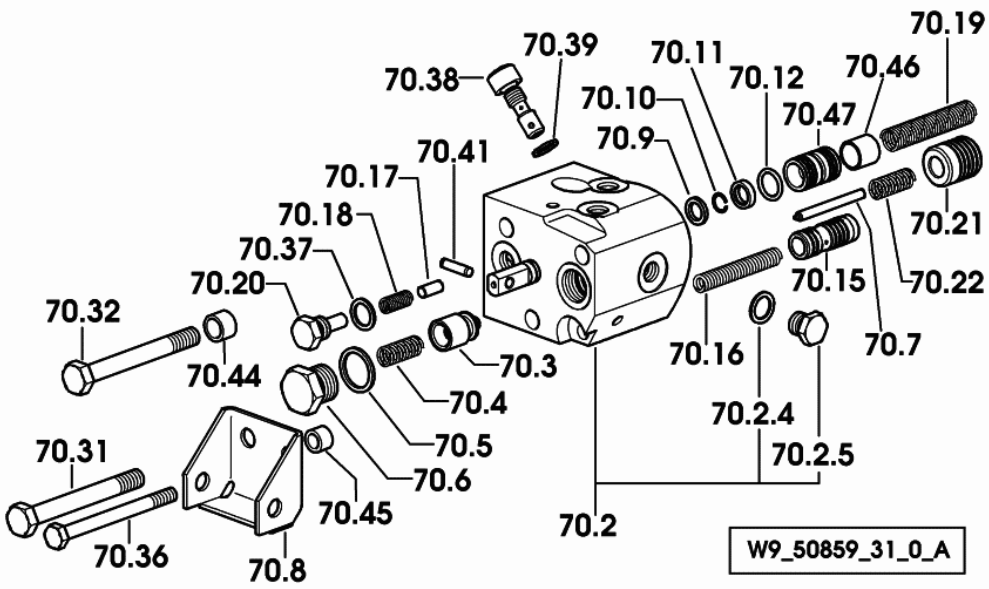


Fig.	Code	QTY	Name
70.43	0.9123.454.3/10	1	grain
70.44	2.1579.776.0	1	spacer 8.8x12x8
70.45	2.1579.777.0	1	spacer
70.46	2.1579.784.0/20	1	spacer
70.47	0.9123.453.0/10	1	small piston
70.48	2.3199.118.2	1	plug m 24 p.1.5
70.49	2.1560.020.0	1	gasket 24.3x32
70.50	2.3261.006.2	2	pipe fitting m 14 p.1.5-9/16"



W9_50859_31_0_A

Section: S.A.C.

INTERNAL AND EXTERNAL CONTROLS

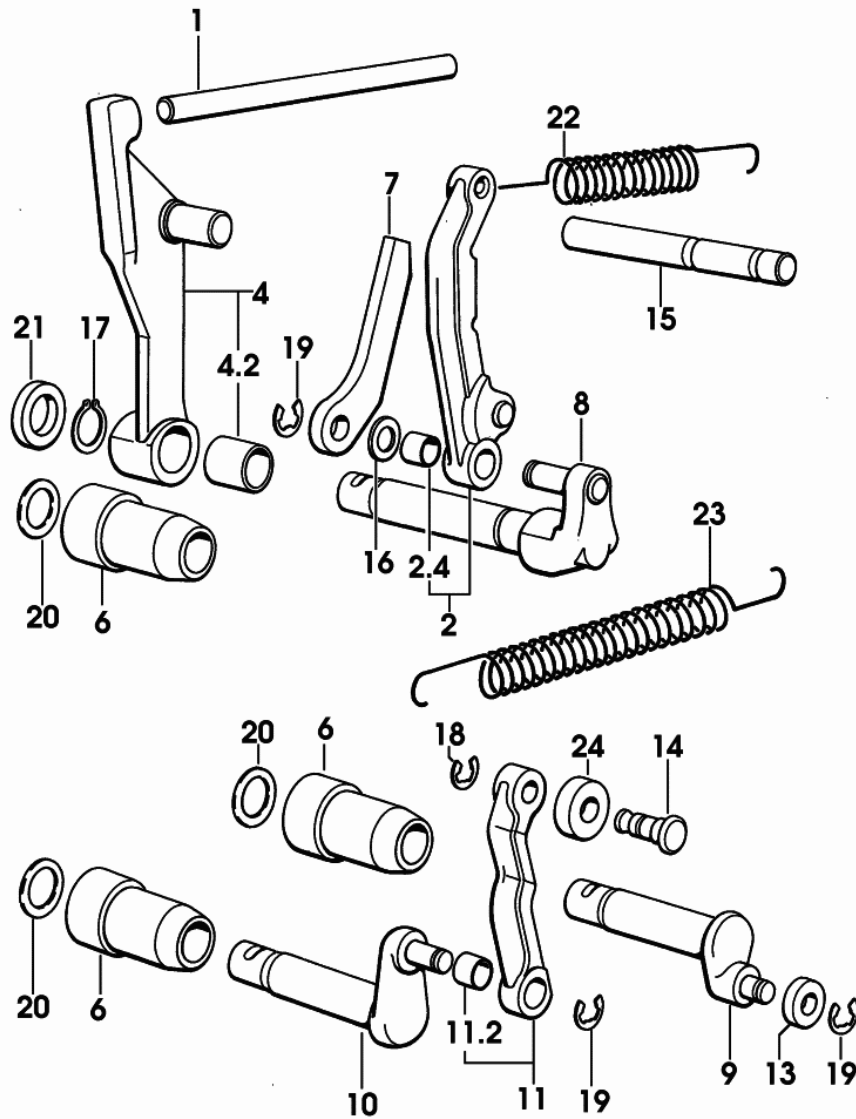
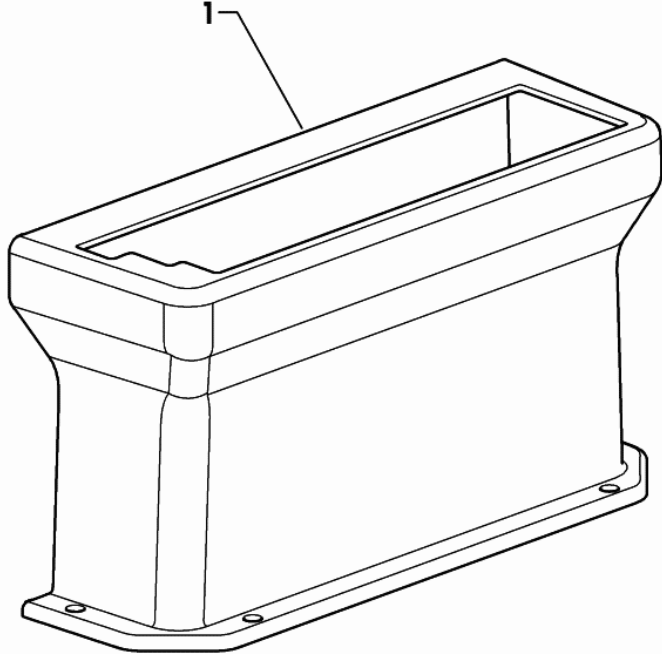


Fig.	Code	QTY	Name
1	0.9123.550.0	1	small shaft
2	0.9123.512.3	1	lever
2.4	2.1559.181.0	1	bushing 8x10x8
4	0.9104.424.3	1	lever
4.2	2.1555.207.0	1	bushing
6	0.9104.425.0	3	bushing
7	0.9104.426.0	1	lever
8	0.9104.440.3	1	pin
9	0.9104.441.0	1	pin
10	0.9104.442.0	1	pin
11	0.9104.444.3	1	lever
11.2	2.1555.104.0	1	bushing 8x10x12
13	0.9104.445.0	1	roller
14	0.9104.446.0/10	1	pin
15	0.9104.418.0	1	pin
16	2.1311.006.2	1	flat washer 8
17	2.1410.003.1	1	circlip 14
18	2.1430.007.7	1	circlip 6
19	2.1430.008.7	3	circlip 7
20	2.1530.034.0	3	'o' ring 13.95x2.62
21	2.1579.706.0	1	spacer
22	2.4049.149.0	1	spring
23	2.4049.148.0	1	spring
24	0.001.3702.0	1	roller

W9_50859_41_0_A

Section: S.A.C.
CONTROL CONSOLE

Fig.	Code	QTY	Name
1	0.008.8234.0/10	1	radio consolle



9_50859_52_0_0

Section: S.A.C.

CONTROL TIE RODS AND LEVERS

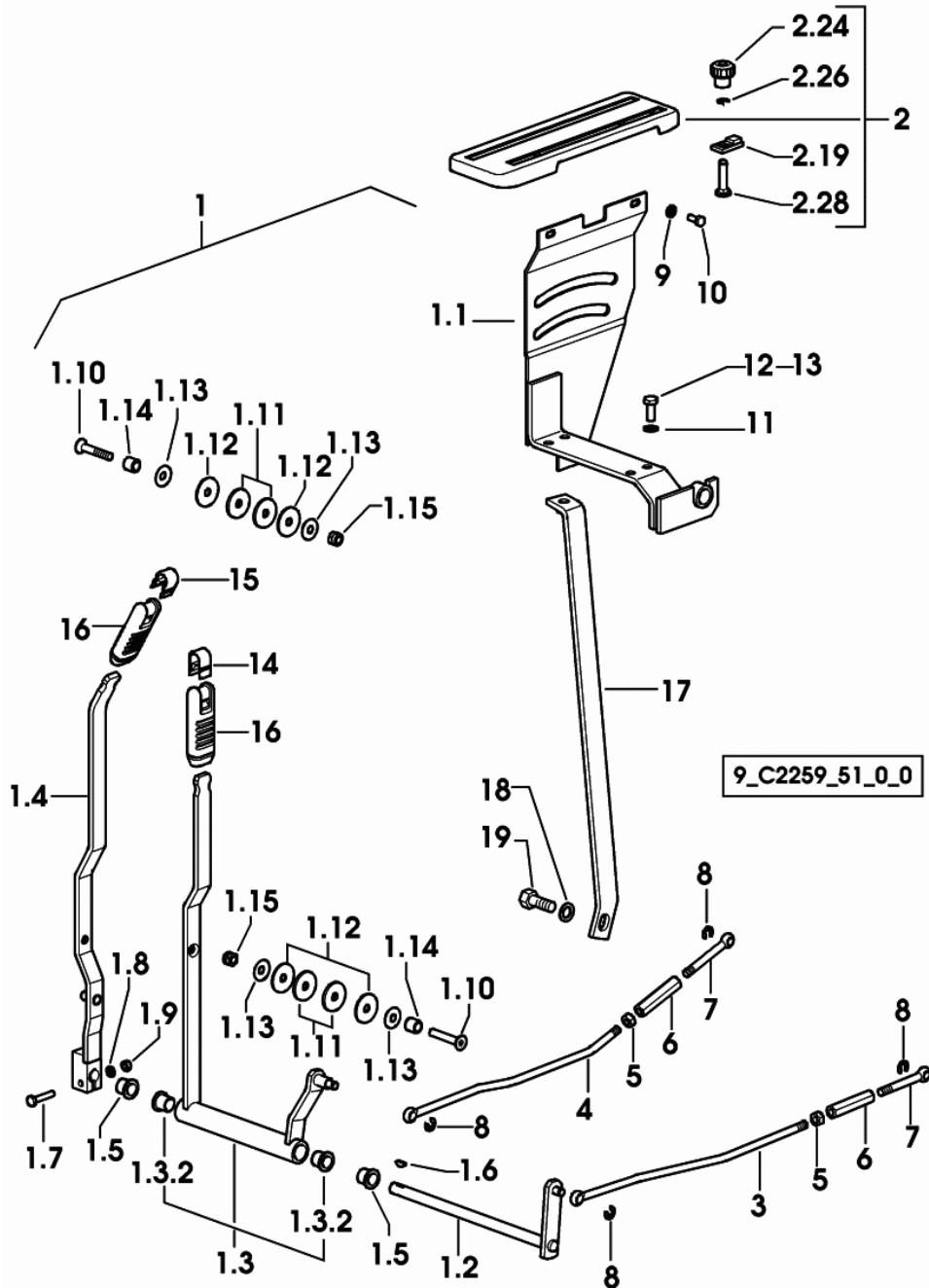
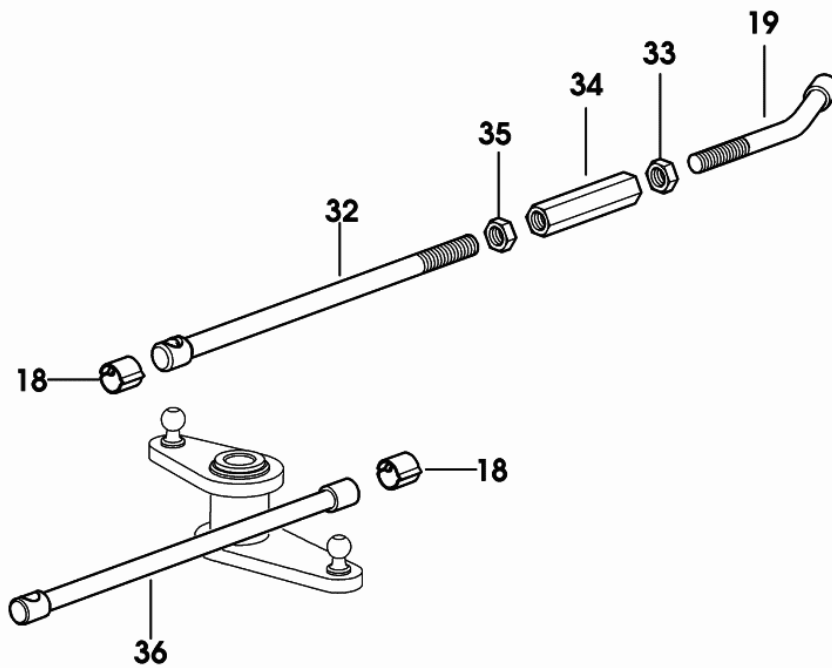


Fig.	Code	QTY	Name
1	0.000.0000.1	0	not serviceable
1.1	0.014.2590.2	1	support
1.2	0.008.8511.3	1	shaft
1.3	0.014.2592.3	1	lever
1.3.2	2.1559.243.0	2	bushing 12x16x15
1.4	0.014.2593.3	1	lever
1.5	2.1559.243.0	2	bushing 12x16x15
1.6	2.1720.005.0	1	key 4x5
1.7	2.0112.011.2	1	screw m 6 p.1x30
1.8	2.1470.002.2	1	lock washer 6
1.9	2.1011.103.2	1	nut m 6 p.1
1.10	2.0342.311.6	2	screw m 8 p.1.25x45
1.11	2.1599.245.0	4	snoulder 8.5x32x2
1.12	0.9030.672.0	4	ring 8.5x32x3
1.13	2.4099.053.7	4	spring 8.2x23x0.7
1.14	2.1579.965.2	2	spacer
1.15	2.1120.105.2	2	selflock nut m 8 p.1.25
2	0.011.9164.4/10	1	plate
2.19	0.9107.668.0	2	stop
2.24	0.9107.669.2	2	knob
2.26	2.1439.003.0	2	circlip 6
2.28	0.9107.667.0/10	2	screw
3	0.008.8269.0/10	1	rod
4	0.008.8262.0/10	1	rod
5	2.1011.405.2	2	nut m 8 p.1
6	2.1019.070.2	2	sleeve
7	0.008.8710.0/10	2	rod
8	2.1430.008.7	4	circlip 7
9	2.1310.002.2	2	flat washer 6.4x12.5
10	2.0112.004.2	2	screw m 6 p.1x14
11	2.1470.004.2	4	lock washer 8
12	2.0112.207.2	3	screw m 8 p 1.25x20
13	2.0112.209.2	1	screw m 8 p 1.25x25
14	0.008.8384.0	1	coupling
15	0.008.8383.0	1	coupling
16	0.009.0137.0	2	knob
17	0.008.8272.2/10	1	bracket
18	2.1470.007.2	1	lock washer 12
19	2.0112.409.2	1	screw m 12 p.1.75x25

Section: S.A.C.

CONTROL TIE RODS AND LEVERS

Fig.	Code	QTY	Name
18	0.257.6757.0	4	spring
19	0.014.3261.0/10	1	rod
32	0.014.5577.0	1	rod
33	2.1011.106.2	1	nut m 10 p.1.5
34	0.467.6663.2	1	sleeve
35	2.1019.018.2	1	special nut m 10 speciale
36	0.014.3727.0	1	rod



9_C2259_71_0_0

CONTROL TIE RODS AND LEVERS

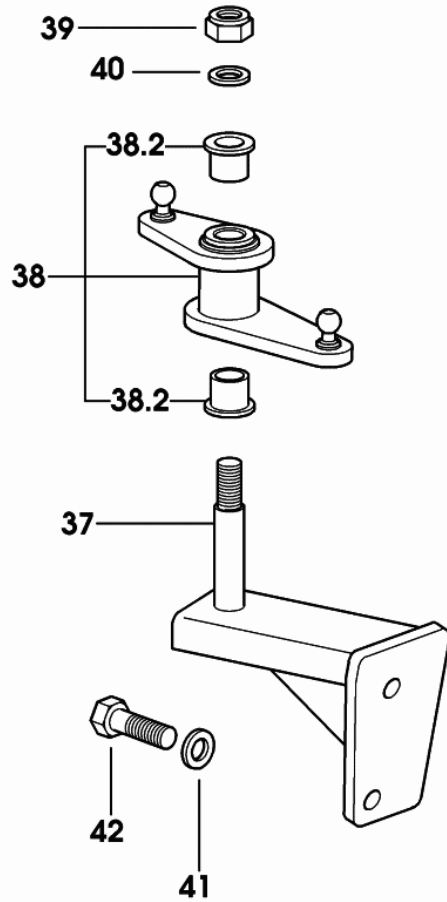


Fig.	Code	QTY	Name
37	0.014.3257.2	1	bracket
38	0.014.3260.3/10	1	transmission
38.2	2.1559.243.0	2	bushing 12x16x15
39	2.1120.006.2	1	nut m 10 p.1.5
40	2.1311.007.2	1	flat washer 10
41	2.1475.102.2	2	washer 8.4x16
42	2.0112.207.2	2	screw m 8 p 1.25x20

CONTROL TIE RODS AND LEVERS - WITH FOLD-DOWN ROPS

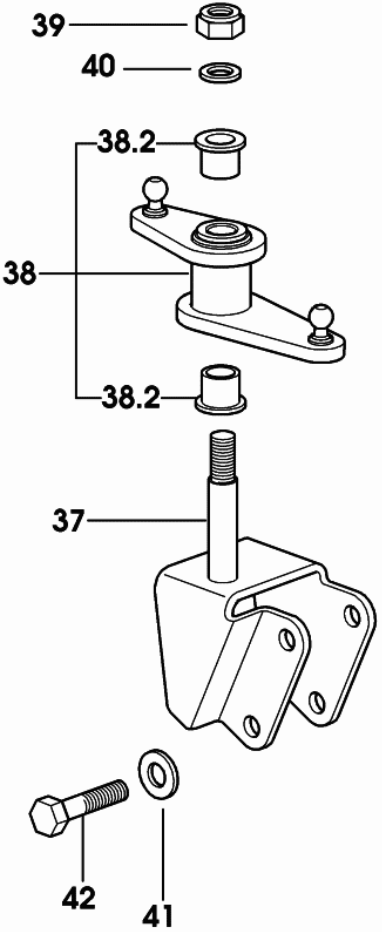


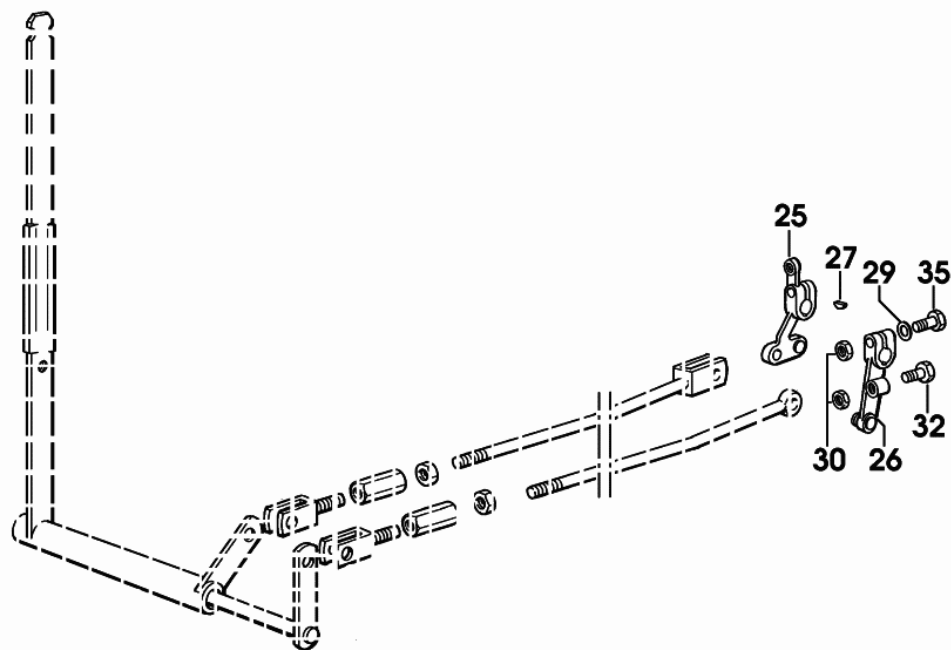
Fig.	Code	QTY	Name
37	0.014.3256.2	1	bracket
38	0.014.3260.3/10	1	transmission
38.2	2.1559.243.0	2	bushing 12x16x15
39	2.1120.006.2	1	nut m 10 p.1.5
40	2.1311.007.2	1	flat washer 10
41	2.1475.103.2	2	washer 10.5x20
42	2.0112.222.2	2	screw m 8 p.1.25x65

9_C2259_73_0_0

Section: S.A.C.

CONTROL TIE RODS AND LEVERS

Fig.	Code	QTY	Name
25	0.9125.658.3/10	1	lever
26	0.9104.652.3	1	lever
27	2.1720.005.0	3	key 4x5
29	2.1470.002.2	5	lock washer 6
30	2.1011.103.2	5	nut m 6 p.1
32	2.0112.009.2	1	screw m 6 p.1x25
35	2.0114.013.2	2	screw m 6x35



W9_50859_41_0_C

Section: S.A.C.

SENSITIVE ELEMENTS

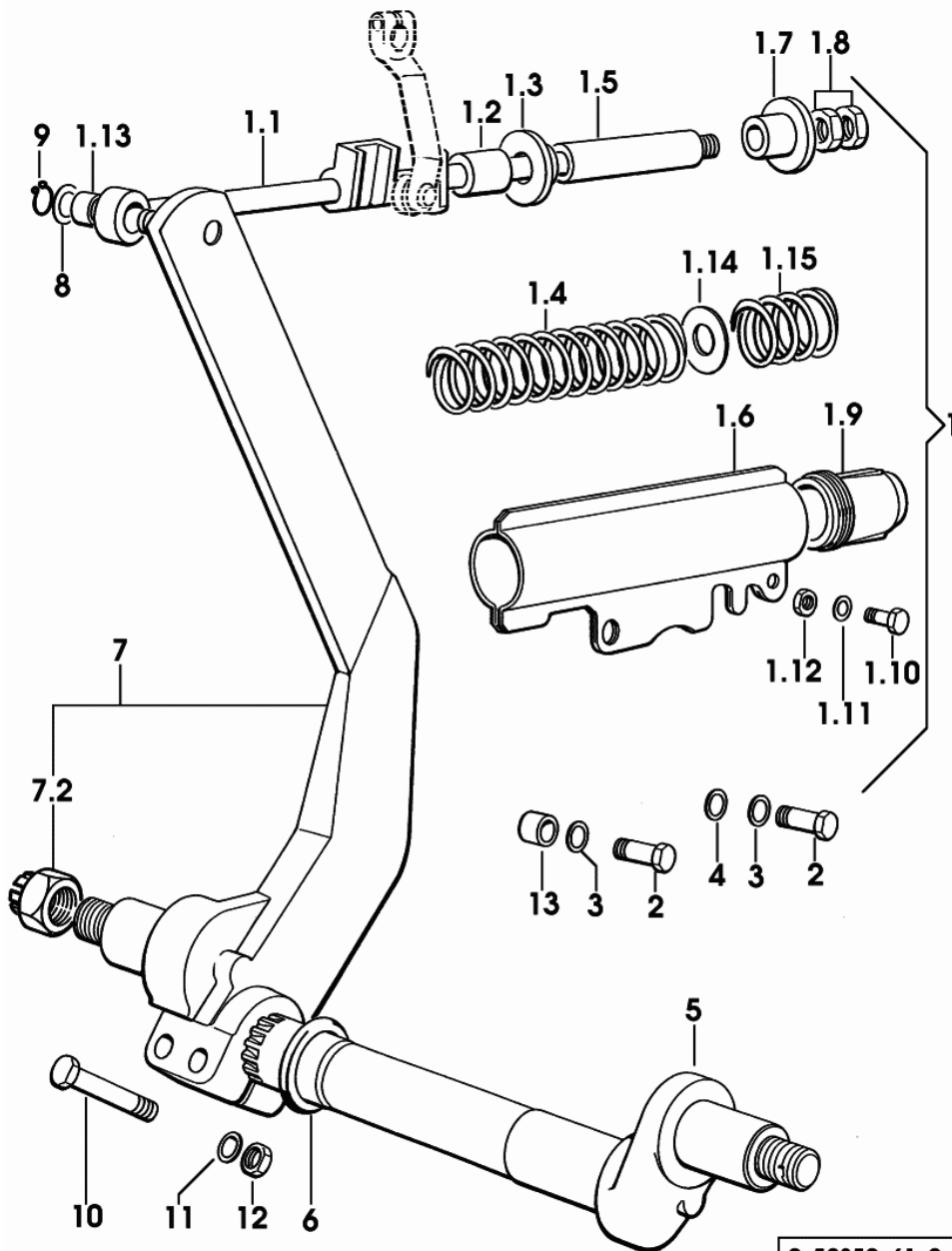


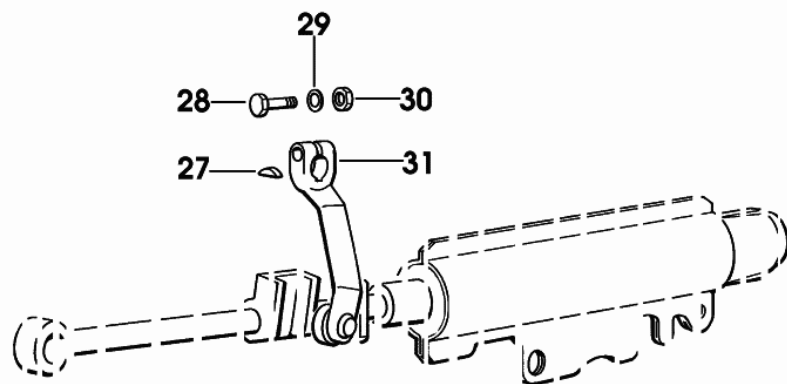
Fig.	Code	QTY	Name
1	0.9123.730.4/20	1	spring housing
1.1	0.9104.732.3/10	1	rod
1.2	2.1579.702.2	1	spacer
1.3	0.9000.735.0/20	1	snoulder
1.4	2.4019.215.1	1	spring 37x142x8
1.5	0.9045.734.0/10	1	spacer 15x18x138
1.6	0.9104.730.2/10	1	spring housing
1.7	0.9045.733.0/10	1	spacer
1.8	2.1011.522.2	2	nut m 12 p.1.25
1.9	0.9104.731.0	1	plug
1.10	2.0112.005.2	1	screw m 6 p.1x16
1.11	2.1470.002.2	1	lock washer 6
1.12	2.1011.103.2	1	nut m 6 p.1
1.13	2.1559.175.0	1	bushing 12x16x15
1.14	2.1599.295.2	1	spacer
1.15	2.4019.216.1	1	spring 37x39x6
2	2.0112.409.2	2	screw m 12 p.1.75x25
3	2.1475.004.7	2	washer 13x24
4	2.1310.007.2	1	flat washer 13x24
5	0.9104.720.0/30	1	shaft
6	2.1514.053.0	2	'o' ring 45x55x4
7	0.9104.721.4	1	lever
7.2	2.1021.209.2	1	castellated nut m 20 p.1.5
8	2.1311.008.2	1	flat washer 12
9	2.1410.002.1	1	circlip 12
10	2.0122.525.2	2	screw m 14 p.1.5x80
11	2.1470.008.2	2	lock washer 14
12	2.1011.308.2	2	nut m 14 p.1.5
13	2.1579.706.0	1	spacer

9_50859_61_0_0

Section: S.A.C.

CONTROL TIE RODS AND LEVERS

Fig.	Code	QTY	Name
27	2.1720.005.0	3	key 4x5
28	2.0114.013.2	2	screw m 6x35
29	2.1470.002.2	5	lock washer 6
30	2.1011.103.2	5	nut m 6 p.1
31	0.9123.750.3	1	lever



W9_50859_41_0_B

Section: S.A.C.

S.A.C. GROUND CONTROL

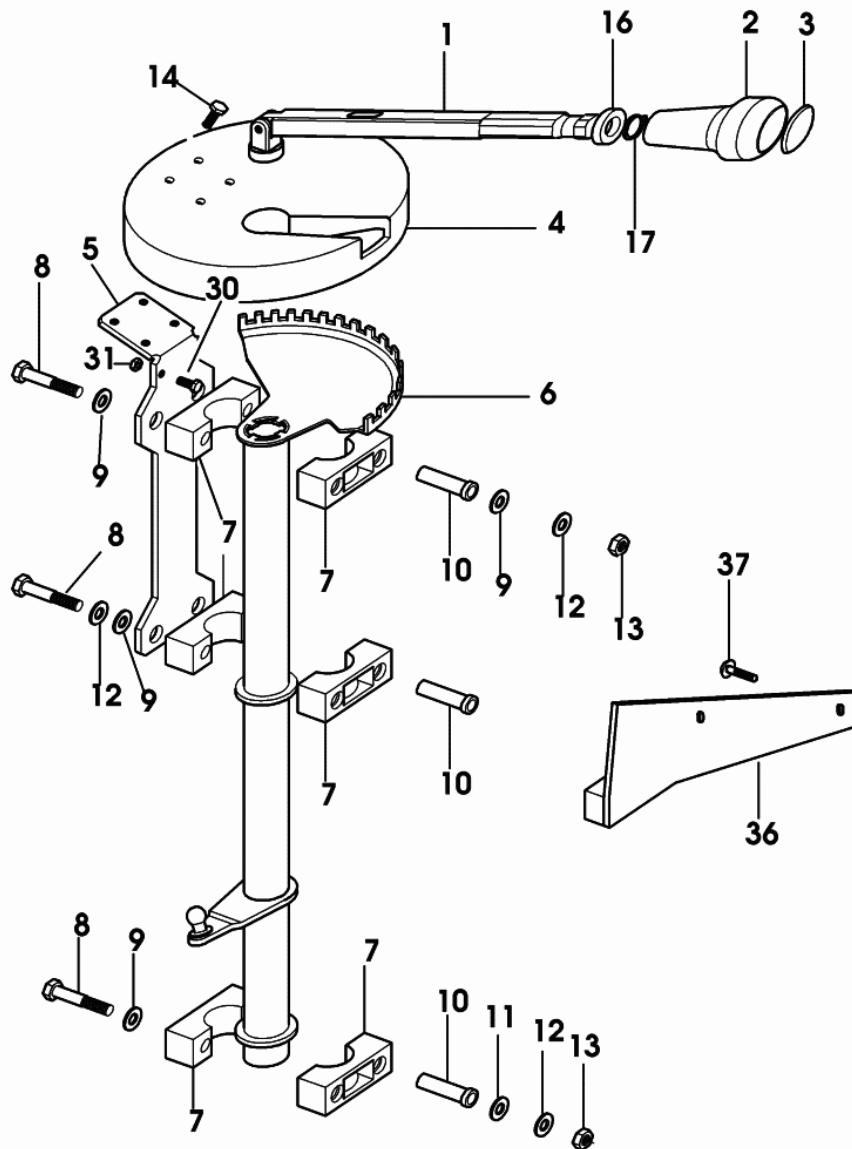


Fig.	Code	QTY	Name
1	0.011.7416.4	1	lever
2	0.257.6413.0	1	grip
3	0.011.7625.0/20	1	cap
4	0.011.7454.0/10	1	cover
5	0.014.3186.0	1	bracket
6	0.014.3180.3	1	shaft
7	0.008.2619.0/10	6	small block
8	2.0112.222.2	6	screw m 8 p.1.25x65
9	2.1312.004.2	8	washer 9x24
10	2.1559.237.2	6	sleeve
11	2.1310.004.2	2	flat washer 8.4x16
12	2.1470.004.2	4	lock washer 8
13	2.1011.105.2	4	nut m 8 p.1.25
14	2.0332.405.3	4	plug
16	0.136.7387.0	1	rubber plug 15x27x5
17	2.1419.042.0	1	circlip
30	2.0112.005.2	1	screw m 6 p.1x16
31	2.1011.103.2	1	nut m 6 p.1
36	0.014.3184.2	1	bracket
37	2.0029.509.3	2	screw

EXPLORER 75 T

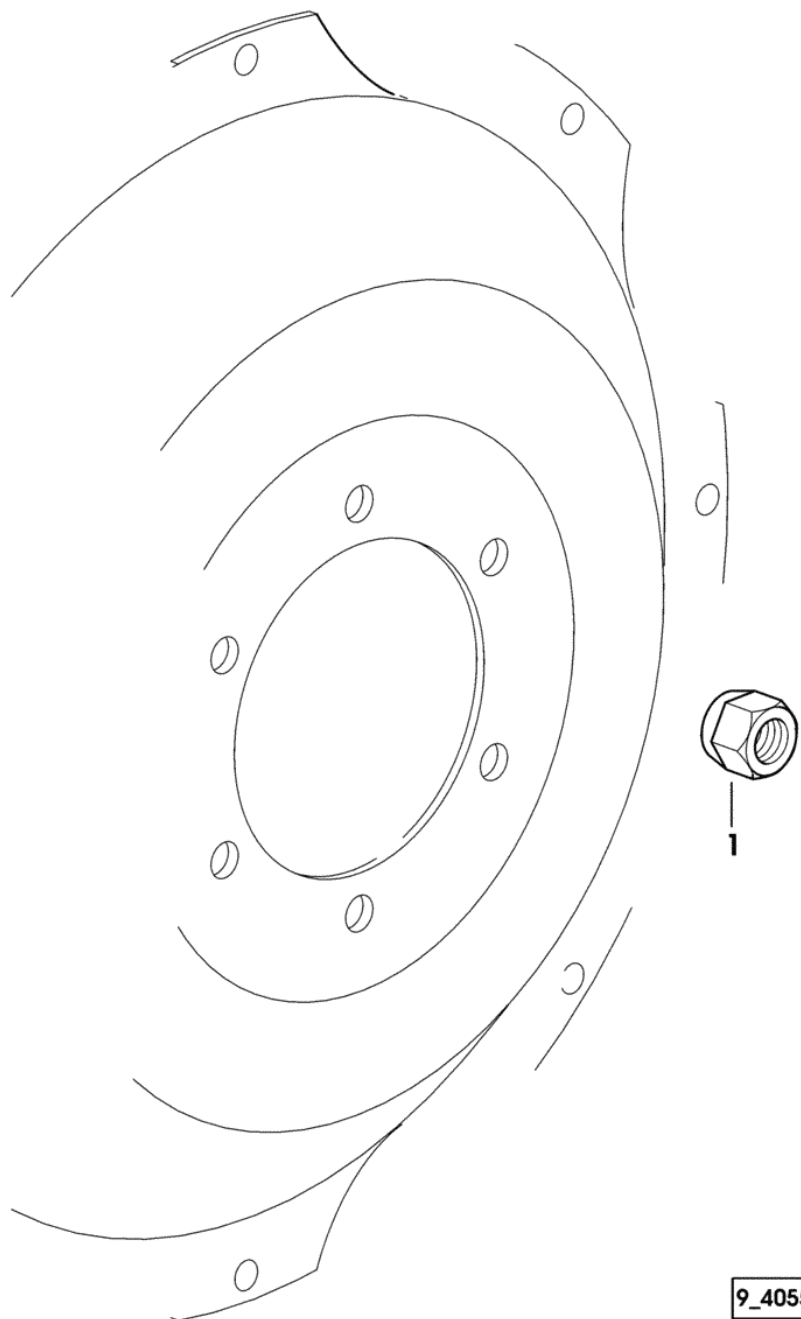
WHEELS

2WD - FRONT WHEEL MOUNTING.....	443
4WD - FRONT WHEEL MOUNTING.....	444
REAR WHEEL BOLTS.....	445
FLANGE.....	446
WHEELS 7.50X16" pr 6.....	447
WHEELS 7.50x18" pr 8.....	449
WHEELS 7.50x20" pr 6.....	450
WHEELS 14.5X20 pr 10.....	451
WHEELS 380/70R20".....	453
WHEELS 11.2R-24" a8.....	456
WHEELS 12.4R-24" a8.....	457
WHEELS 12.4R-24" a8.....	458
WHEELS 13.6R-24" a8.....	459
WHEELS 14.9R-24" a8.....	461
WHEELS 11.2R24(280/85R24)TL.....	464
WHEELS 320/70r24" a8.....	465
WHEELS 12.4R-28" a8.....	467
WHEELS 420/70R-28" a8.....	470
WHEELS 405/70R20".....	471
WHEELS 14.9R-30" a8.....	472
WHEELS 14.9R-30" a8.....	473
WHEELS 16.9R-30" pr 6.....	474
WHEELS 16.9R-30" a8.....	475
WHEELS 18.4R-30" a8.....	477
WHEELS 14.9R-30" a8.....	479
WHEELS 420/70R-30" a8.....	480
WHEELS 16.9R-34" a8.....	481
WHEELS 12.4R-36" a8.....	489
WHEELS 13.6R-38" a8.....	490

Section: WHEELS

2WD - FRONT WHEEL MOUNTING

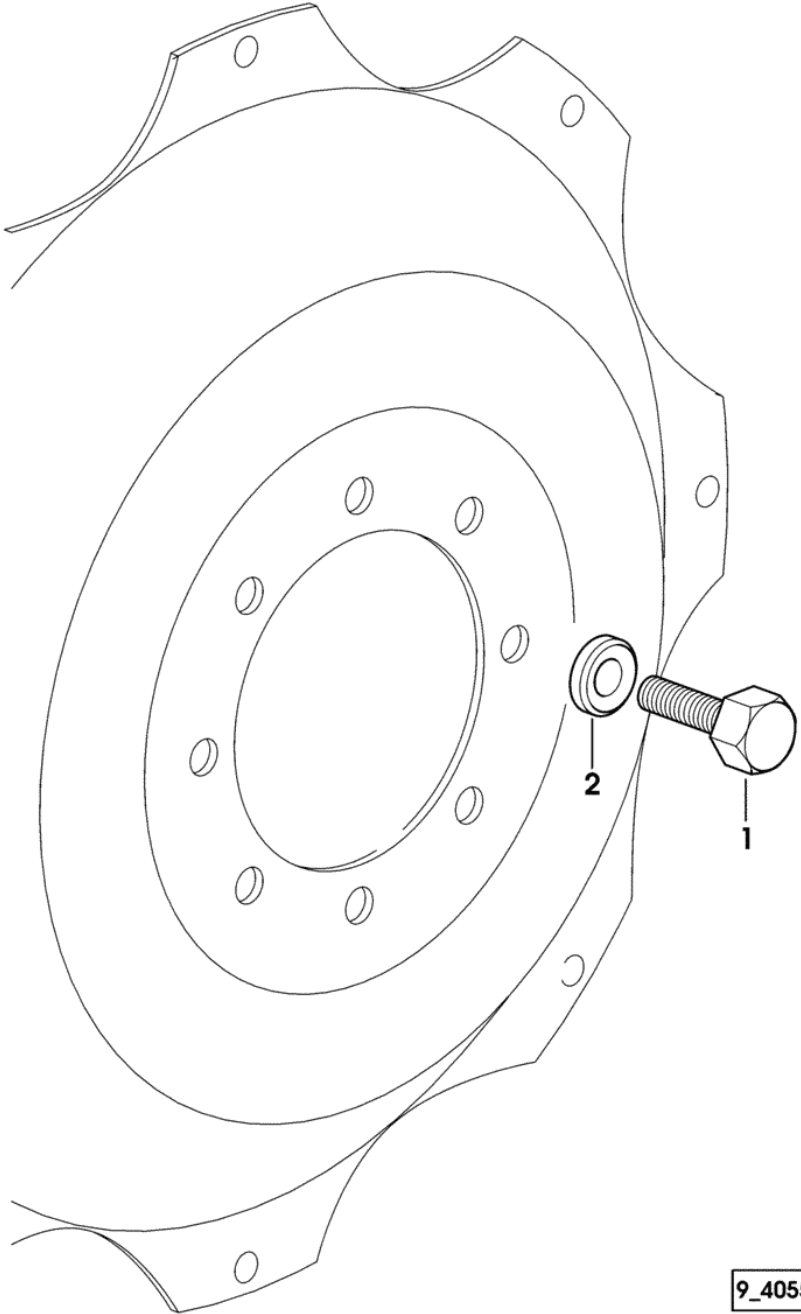
Fig.	Code	QTY	Name
1	2.1099.101.6	12	nut m 20 p.1.5



9_40555_01_0_0

Section: WHEELS
4WD - FRONT WHEEL MOUNTING

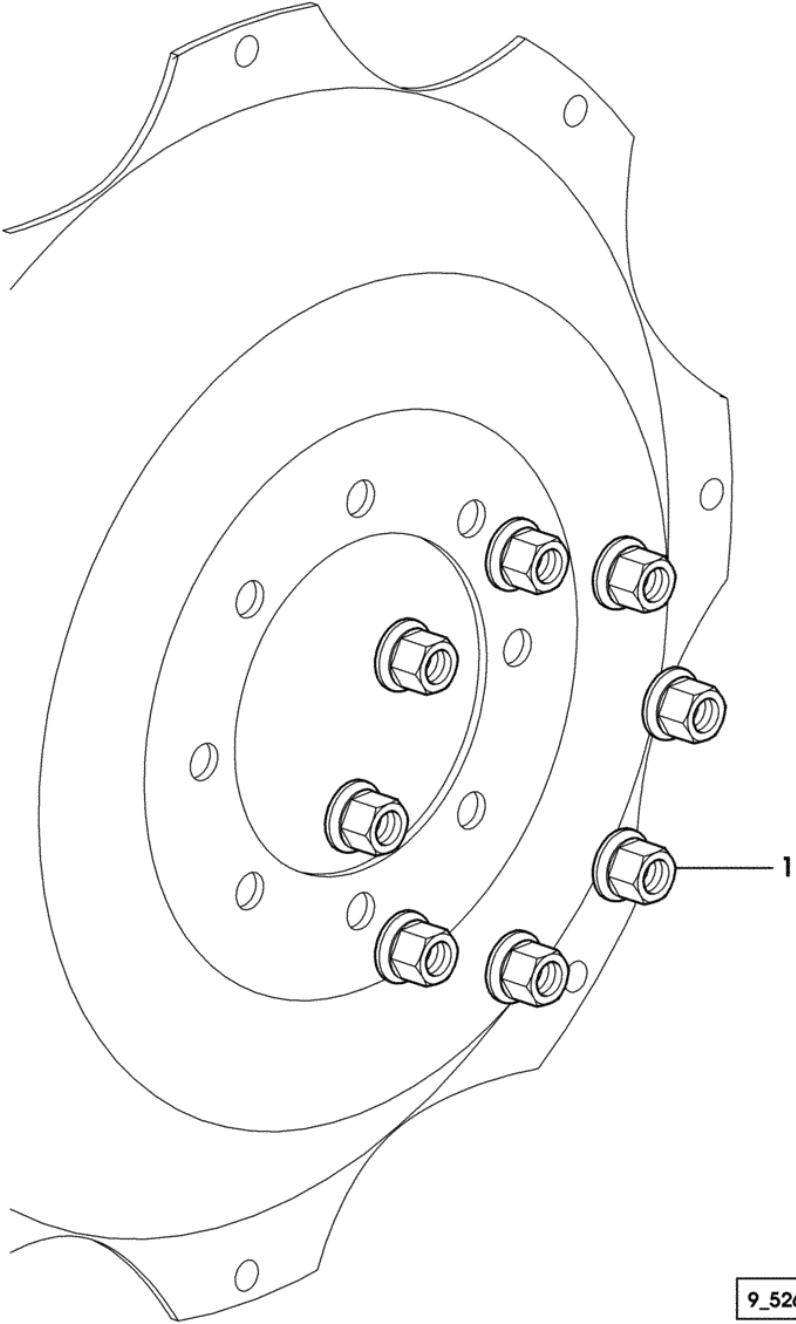
Fig.	Code	QTY	Name
1	2.0399.129.6	16	screw m 18 p.1.5x38
2	2.1599.501.6/10	16	washer 19x40x7.5



9_40555_02_0_0

Section: WHEELS
REAR WHEEL BOLTS

Fig.	Code	QTY	Name
1	2.1099.083.0/20	16	special nut m 20 p.1.5

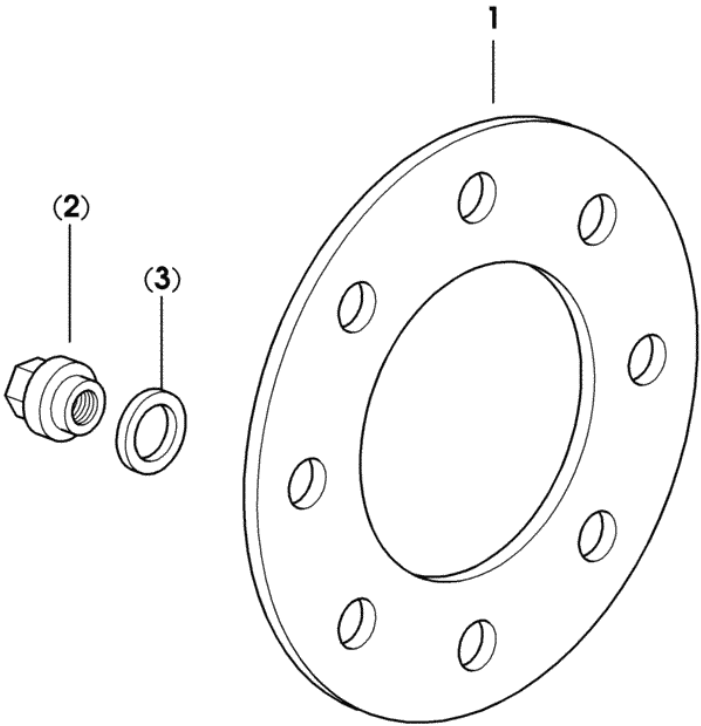


9_52655_03_0_0

Section: WHEELS

FLANGE

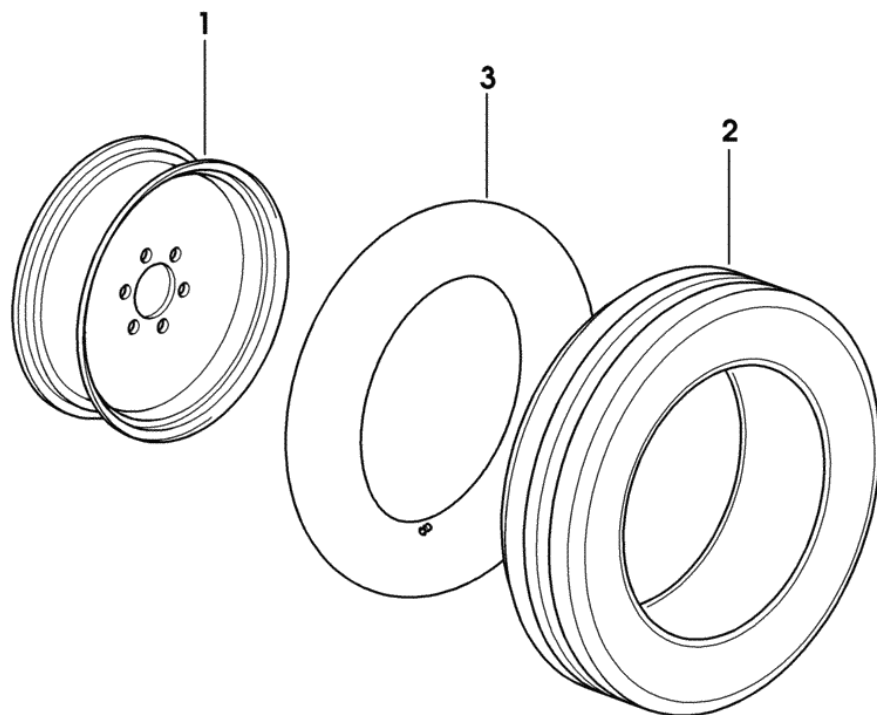
Fig.	Code	QTY	Name
1	0.011.5307.0/10	2	flange



9_54655_05_0_0

Section: WHEELS
WHEELS 7.50X16" pr 6

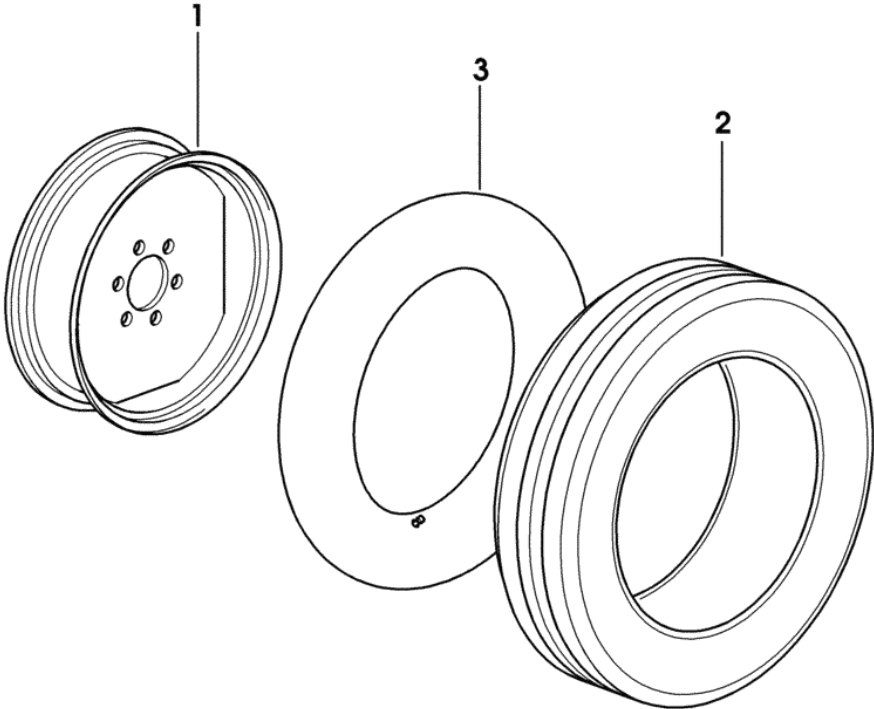
Fig.	Code	QTY	Name
1	0.012.3068.3	2	rim
2	2.4810.029.0	2	tyre 7.50x16" pr 8
3	2.4820.006.0	2	air chamber



9_54555_11_0_0

Section: WHEELS
WHEELS 7.50x18" pr 8

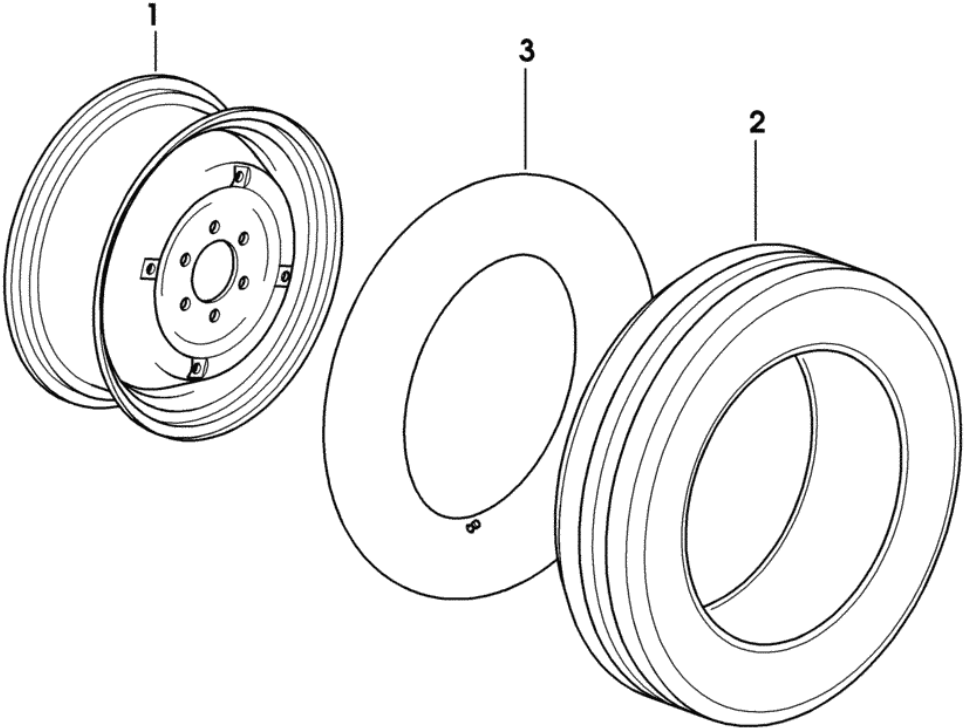
Fig.	Code	QTY	Name
1	0.012.3071.3	2	rim 5.50F X 18"
2	2.4810.022.0	2	tyre 7.50x18" pr 8
3	2.4820.015.0	2	air chamber



9_50855_12_0_0

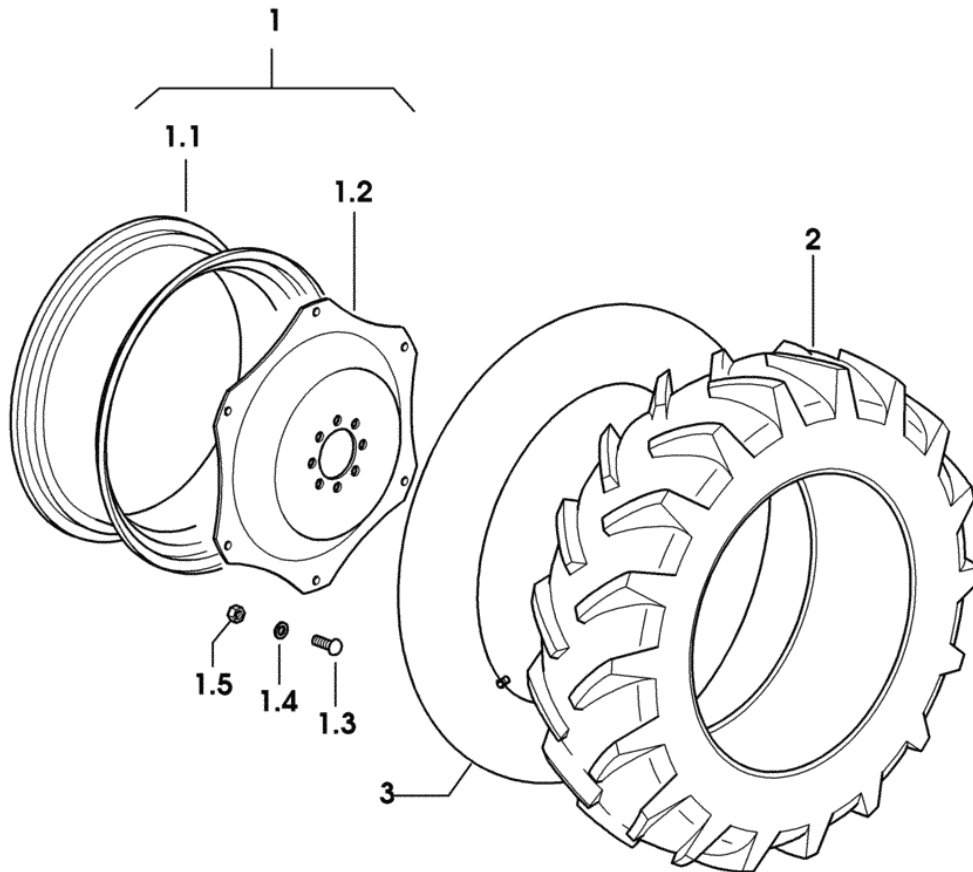
Section: WHEELS
WHEELS 7.50x20" pr 6

Fig.	Code	QTY	Name
1	0.012.3091.3	2	rim 5.50F X 20"
2	2.4810.018.0	2	tyre 7.50x20" pr 6
3	2.4820.018.0	2	air chamber



Section: WHEELS
WHEELS 14.5X20 pr 10

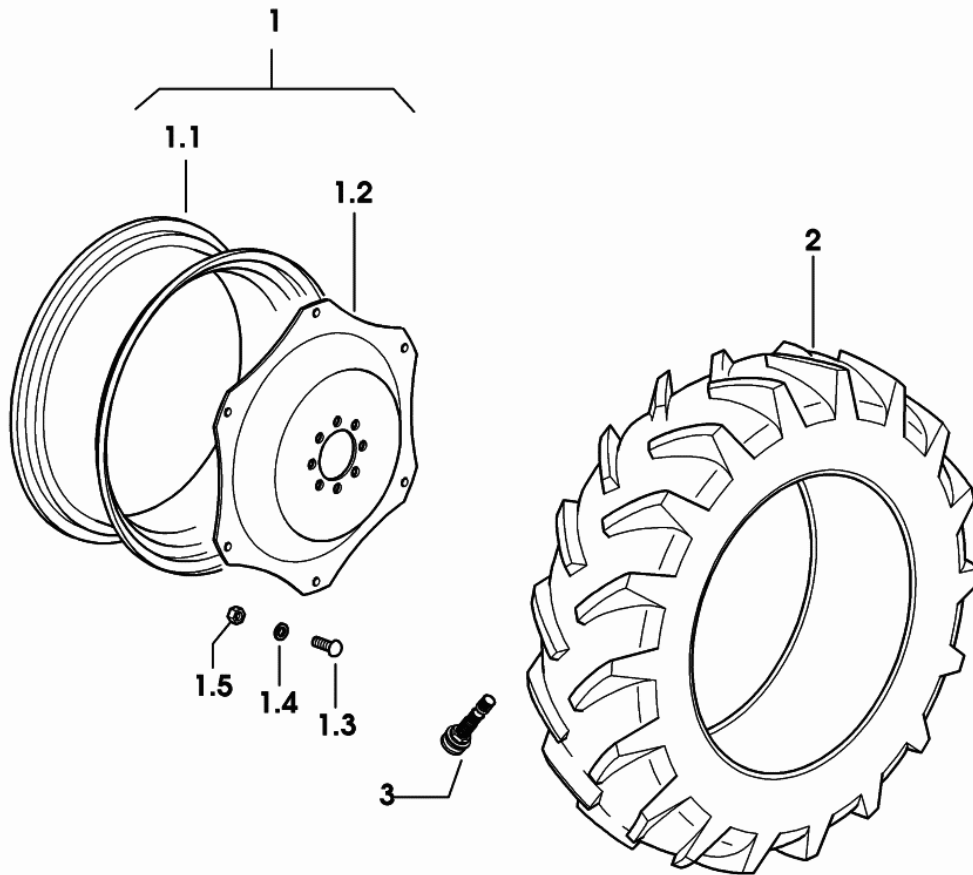
Fig.	Code	QTY	Name
1	0.000.0000.1	0	not serviceable
1.1	0.012.2829.3	1	rim W 11x20" C/ST
1.2	0.010.4806.0	1	rim center flange
1.3	2.0099.005.6	6	screw m 16 p.1.5
1.4	2.1499.019.6	6	conical washer 16.3x31.5
1.5	2.1019.059.6	6	nut m 16 p.1.5x16
2	2.4811.131.0	2	tyre 405/70R20"
3	2.4829.023.0	2	air chamber



9_51155_28_0_0

Section: WHEELS
WHEELS 380/70R20"

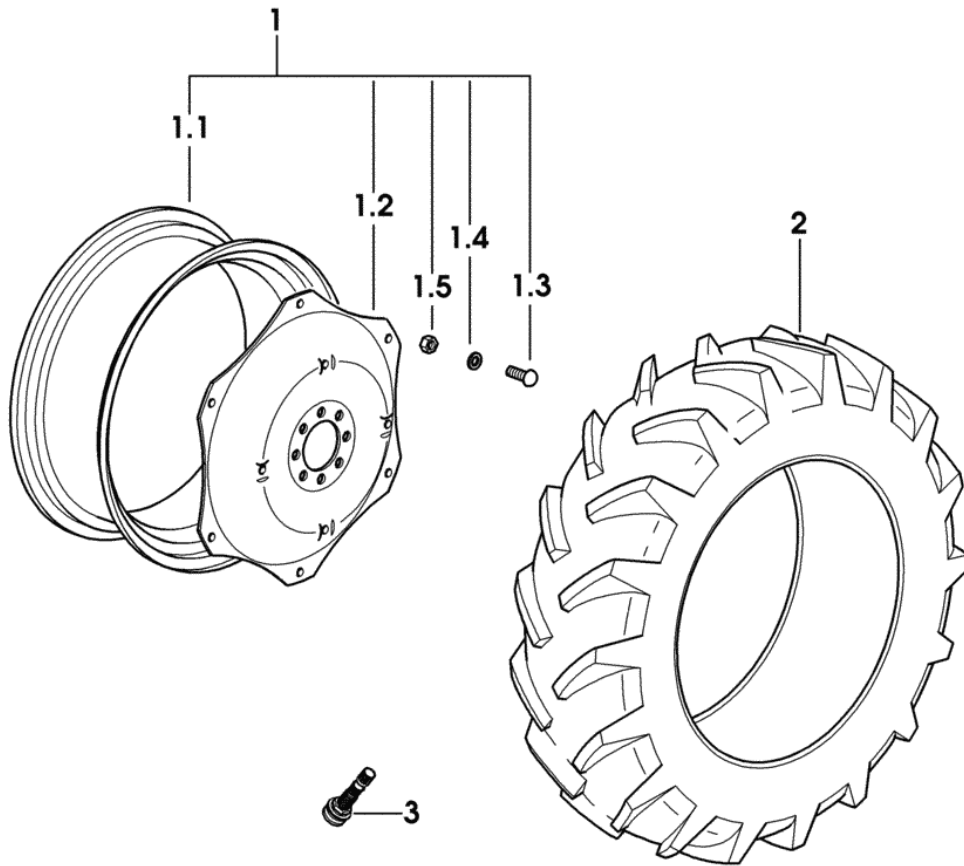
Fig.	Code	QTY	Name
1	0.000.0000.1	0	not serviceable
1.1	0.012.2829.3	1	rim W 11x20" C/ST
1.2	0.010.4806.0	1	rim center flange
1.3	2.0099.005.6	6	screw m 16 p.1.5
1.4	2.1499.019.6	6	conical washer 16.3x31.5
1.5	2.1019.059.6	6	nut m 16 p.1.5x16
2	2.4811.077.0	2	tyre 380/70R-20" a8
3	0.012.6364.0	2	valve



9_C2255_20_0_0

Section: WHEELS
WHEELS 11.2R-24" a8

Fig.	Code	QTY	Name
1	0.000.0000.1	0	not serviceable
1.1	0.012.2797.3	1	rim W 10x24" C/ST.
1.2	0.010.9752.0	1	flange
1.3	2.0099.005.6	6	screw m 16 p.1.5
1.4	2.1499.019.6	6	conical washer 16.3x31.5
1.5	2.1019.059.6	6	nut m 16 p.1.5x16
2	2.4811.052.0	2	tyre 11.2R-24" a8
3	0.012.6364.0	2	valve



9_51155_20_0_0

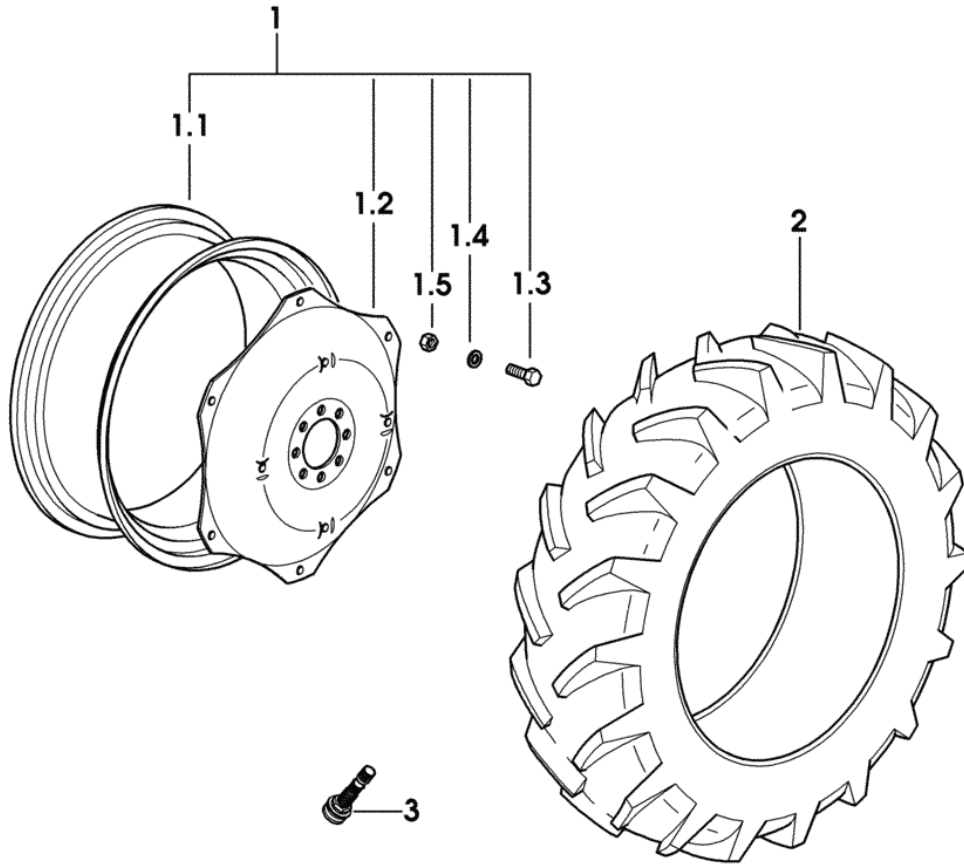
Section: WHEELS
WHEELS 12.4R-24" a8

Fig.	Code	QTY	Name
------	------	-----	------

Notes:

1120 <- X EXPLORER 75 T 1093 <- X EXPLORER 85 T 1133 <- X EXPLORER 95 T

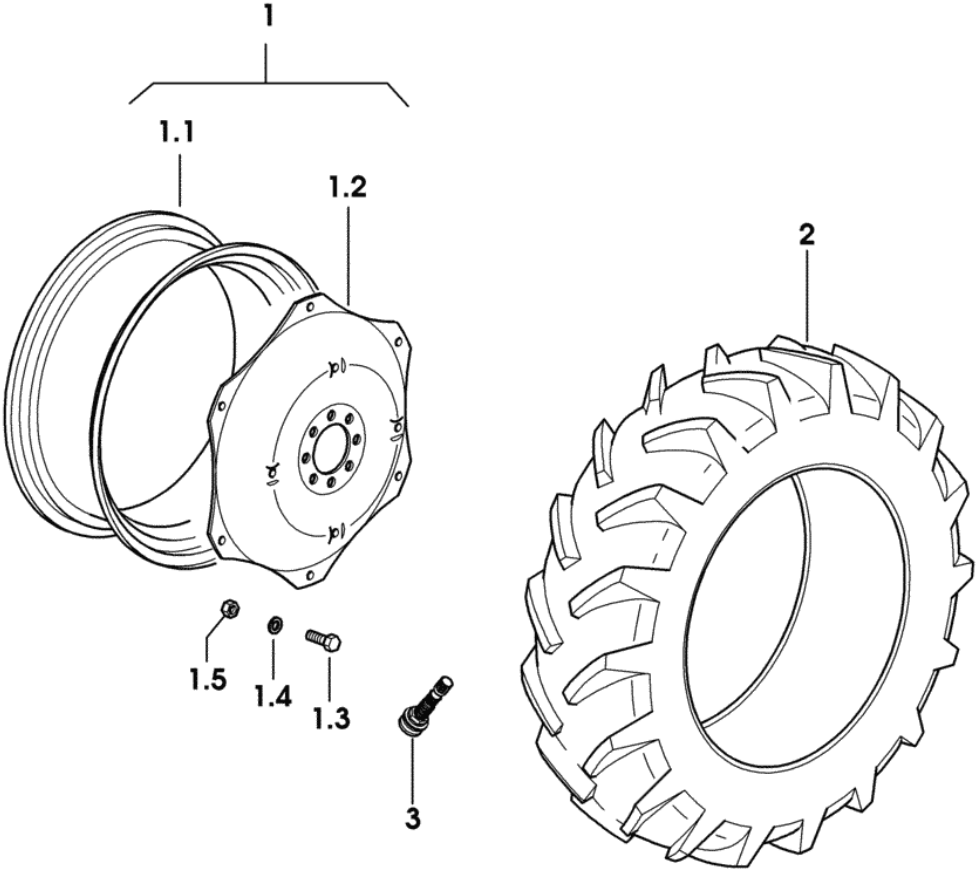
1	0.000.0000.1	0	not serviceable
1.1	0.012.2873.3	1	rim W 10x24" C/ST.
1.2	0.010.9752.0	1	flange
1.3	2.0099.005.6	6	screw m 16 p.1.5
1.4	2.1499.019.6	6	conical washer 16.3x31.5
1.5	2.1019.059.6	6	nut m 16 p.1.5x16
2	2.4811.053.0	2	tyre 12.4R-24" a8
3	0.012.6364.0	2	valve



9_65655_21_0_0

Section: WHEELS
WHEELS 12.4R-24" a8

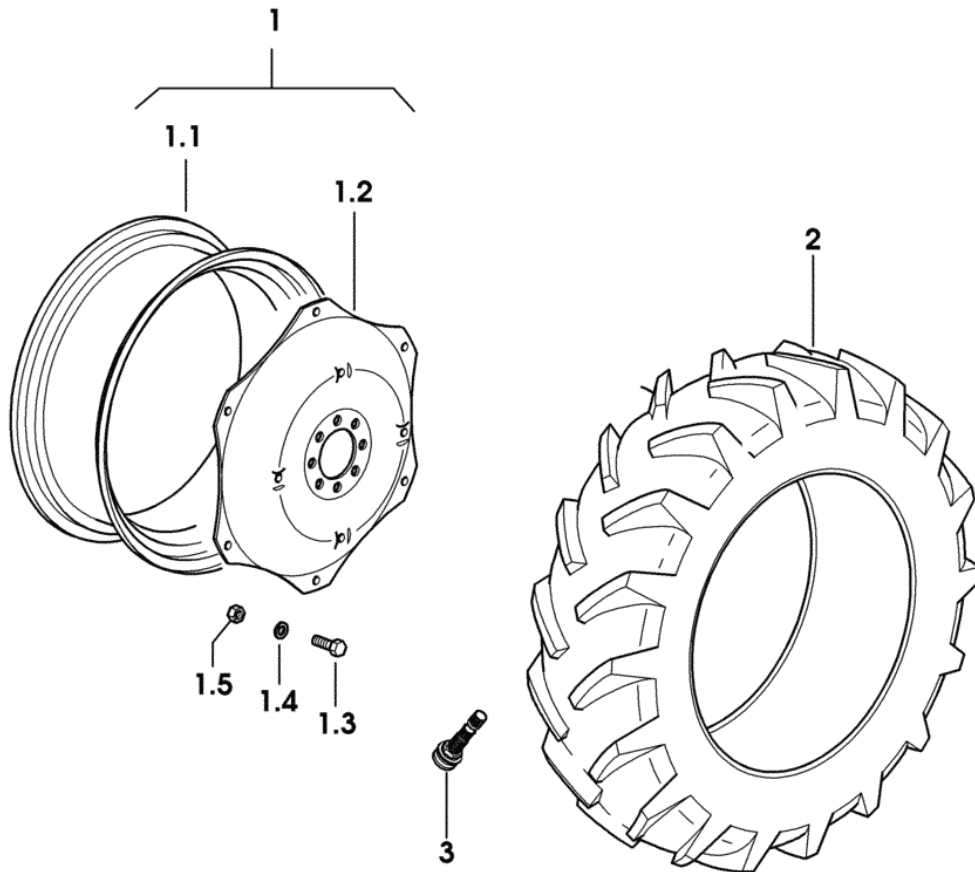
Fig.	Code	QTY	Name
1	0.000.0000.1	0	not serviceable
1.1	0.012.2797.3	1	rim W 10x24" C/ST.
1.2	0.010.9752.0	1	flange
1.3	2.0099.005.6	6	screw m 16 p.1.5
1.4	2.1499.019.6	6	conical washer 16.3x31.5
1.5	2.1019.059.6	6	nut m 16 p.1.5x16
2	2.4811.053.0	2	tyre 12.4R-24" a8
3	0.012.6364.0	2	valve



9_51155_21_0_0

Section: WHEELS
WHEELS 13.6R-24" a8

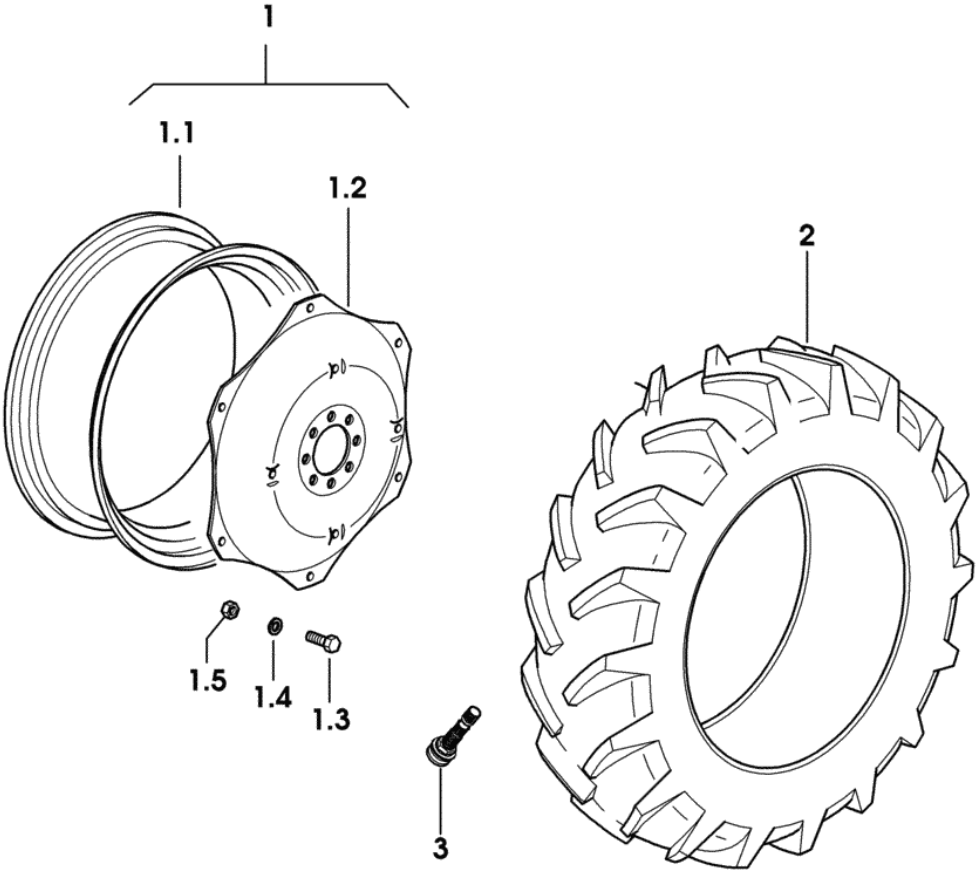
Fig.	Code	QTY	Name
1	0.000.0000.1	0	not serviceable
1.1	0.012.3047.3	1	rim W 12x24" C/ST
1.2	0.010.9752.0	1	flange
1.3	2.0099.005.6	6	screw m 16 p.1.5
1.4	2.1499.019.6	6	conical washer 16.3x31.5
1.5	2.1019.059.6	6	nut m 16 p.1.5x16
2	2.4811.063.0	2	tyre 13.6R-24" a8
3	0.012.6364.0	2	valve



9_51155_22_0_0

Section: WHEELS
WHEELS 14.9R-24" a8

Fig.	Code	QTY	Name
1	0.000.0000.1	0	not serviceable
1.1	0.012.3047.3	1	rim W 12x24" C/ST
1.2	0.010.9752.0	1	flange
1.3	2.0099.005.6	6	screw m 16 p.1.5
1.4	2.1499.019.6	6	conical washer 16.3x31.5
1.5	2.1019.059.6	6	nut m 16 p.1.5x16
2	2.4811.072.0	2	tyre 14.9R-24" a8
3	0.012.6364.0	2	valve



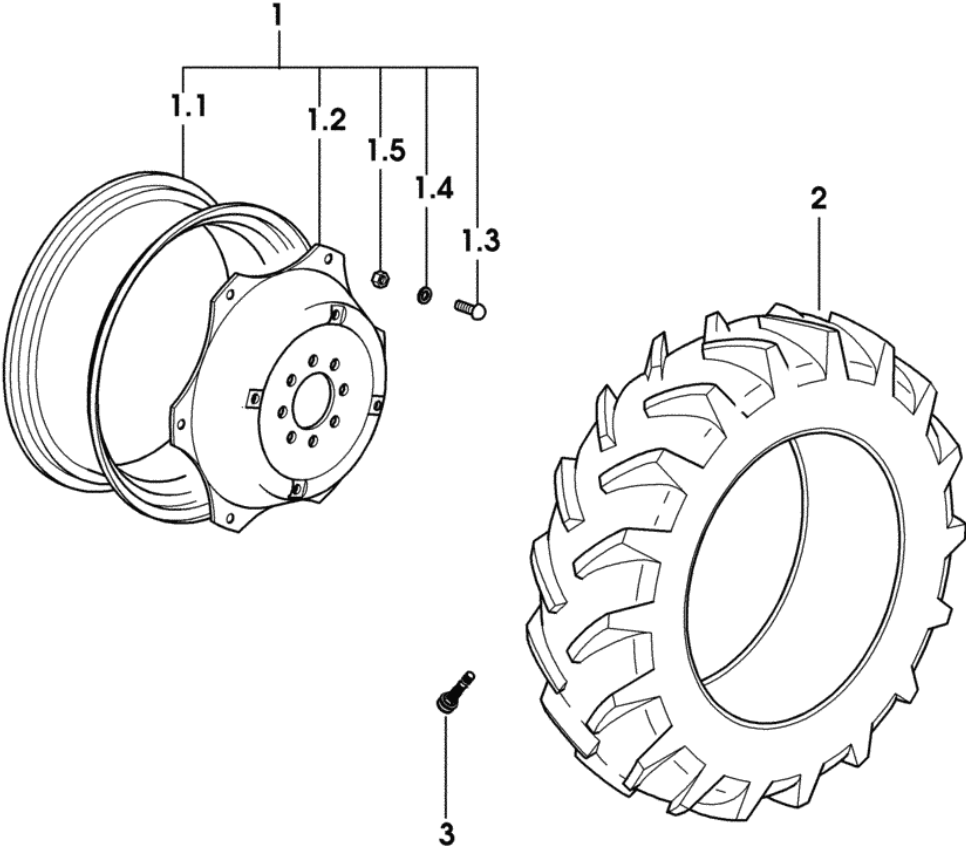
9_51155_23_0_0

Section: WHEELS
WHEELS 11.2R24(280/85R24)TL

Fig.	Code	QTY	Name
------	------	-----	------

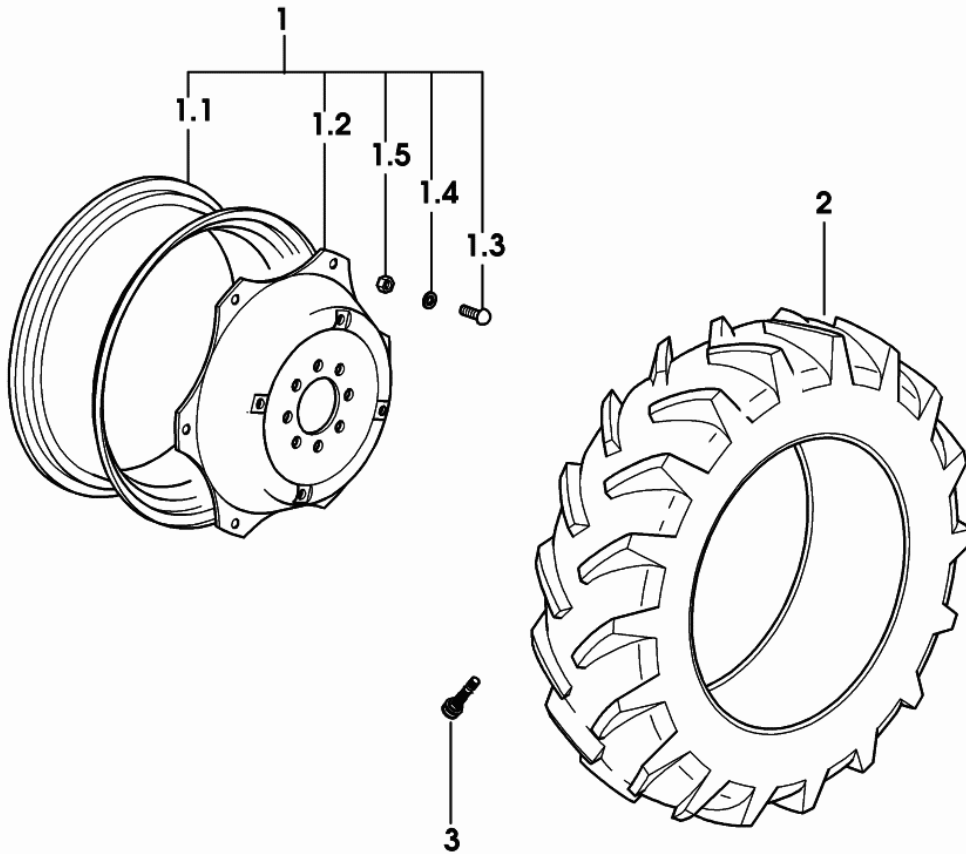
Notes:
1120 <- X EXPLORER 75 T

1	0.000.0000.1	0	not serviceable
1.1	0.012.2797.3	1	rim W 10x24" C/ST.
1.2	0.010.9752.0	1	flange
1.3	2.0099.005.6	6	screw m 16 p.1.5
1.4	2.1499.019.6	6	conical washer 16.3x31.5
1.5	2.1019.059.6	6	nut m 16 p.1.5x16
2	2.4811.052.0	2	tyre 11.2R-24" a8
3	0.012.6364.0	2	valve



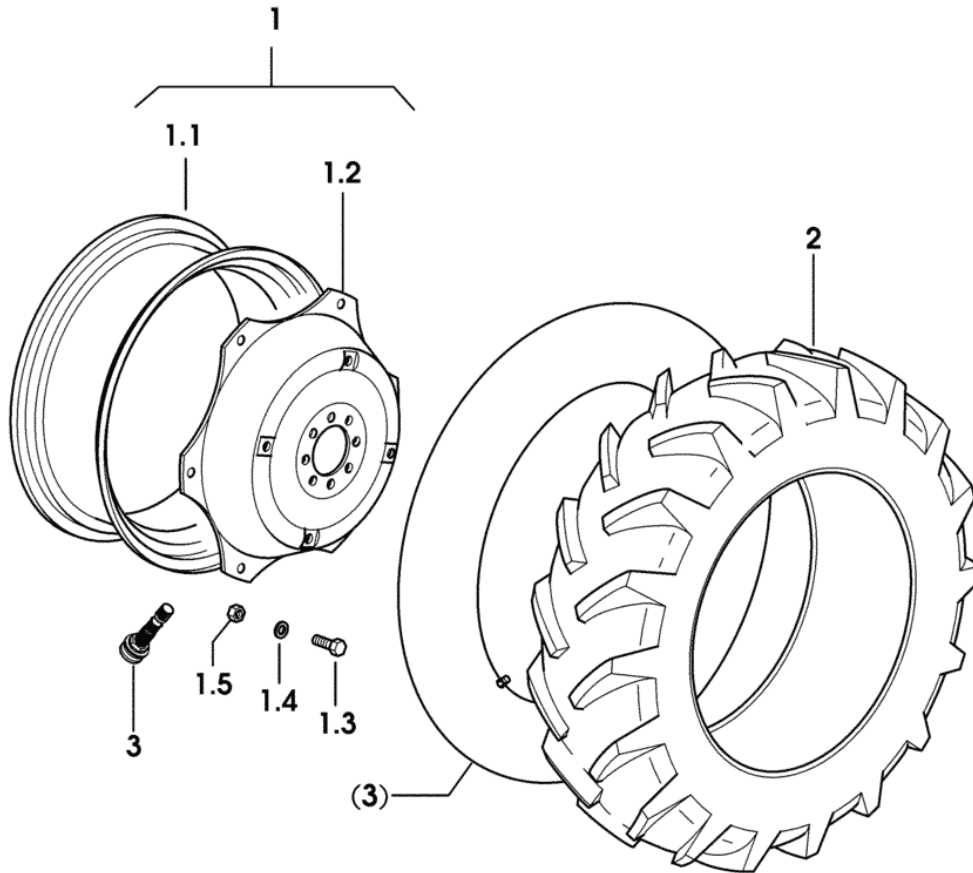
Section: WHEELS
WHEELS 320/70r24" a8

Fig.	Code	QTY	Name
1	0.000.0000.1	0	not serviceable
1.1	0.012.2873.3	1	rim W 10x24" C/ST.
1.2	0.010.9752.0	1	flange
1.3	2.0099.005.6	6	screw m 16 p.1.5
1.4	2.1499.019.6	6	conical washer 16.3x31.5
1.5	2.1019.059.6	6	nut m 16 p.1.5x16
2	2.4811.107.0	2	tyre 320/70r24" a8
3	0.012.6364.0	2	valve



Section: WHEELS
WHEELS 12.4R-28" a8

Fig.	Code	QTY	Name
1	0.000.0000.1	0	not serviceable
1.1	0.012.3013.3	1	rim W 10x28" C/ST.
1.2	0.255.5559.0/20	1	rim center flange
1.3	2.0399.030.6	6	screw m 18 p.1.5x45
1.4	2.1499.018.6	6	conical washer 18x35.5
1.5	2.1011.310.6	6	nut m 18 p.1.5
2	2.4811.060.0	2	tyre 12.4R-28" a8
3	0.012.6364.0	2	valve



9_51155_24_0_0

Section: WHEELS
WHEELS 420/70R-28" a8

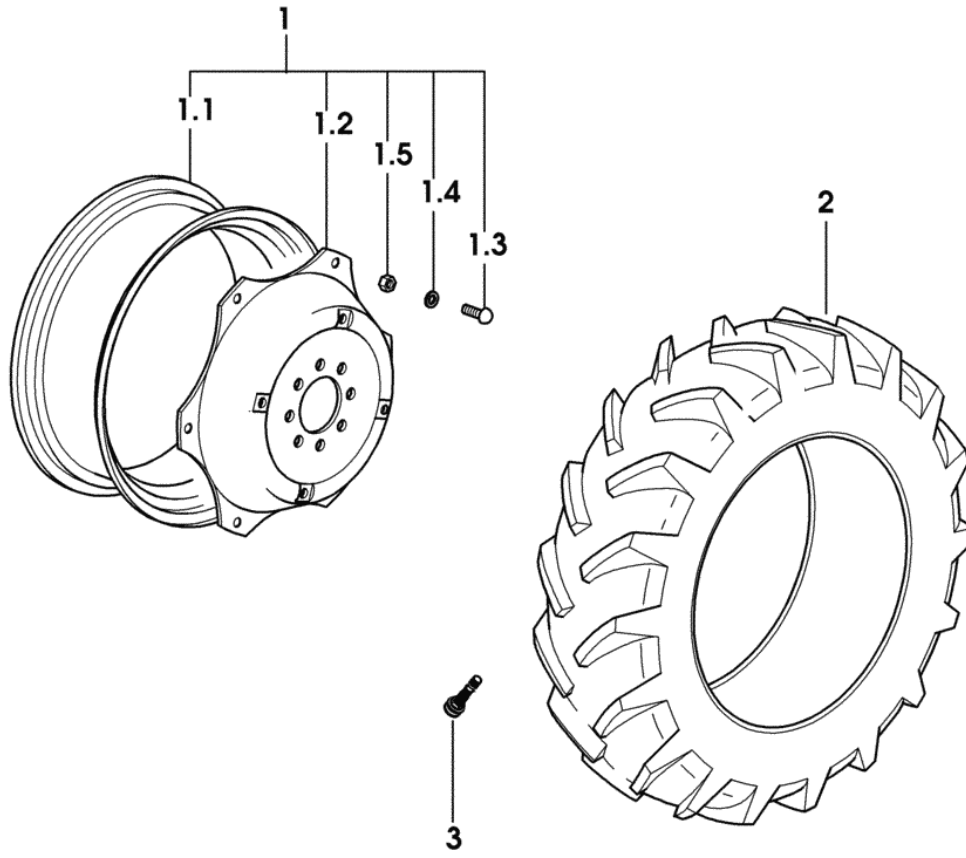
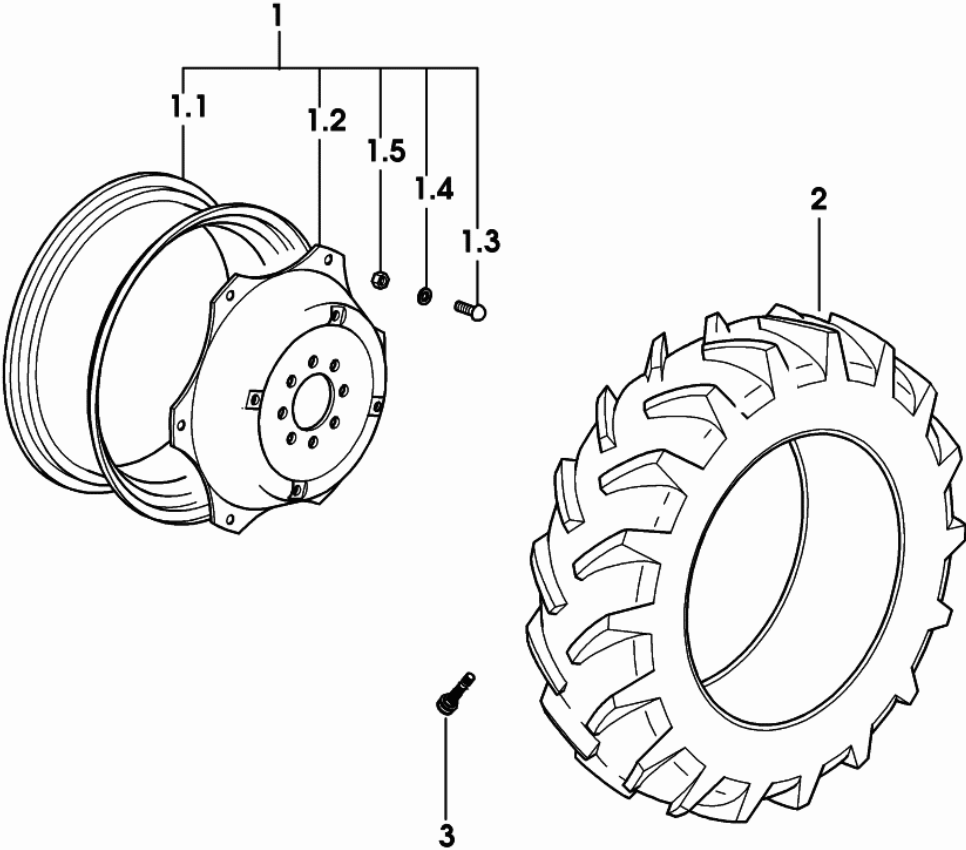


Fig.	Code	QTY	Name
1	0.000.0000.1	0	not serviceable
1.1	0.011.6542.3	1	rim W 12x28" C/ST.
1.2	0.258.5551.0	1	rim center flange
1.3	2.0399.204.6/10	6	screw m 18 p.1.5x80
1.4	2.1499.018.6	6	conical washer 18x35.5
1.5	2.1019.060.6	6	nut m 18 p.1.5
2	2.4819.121.0	2	tyre 420/70R-28" a8
3	0.012.6364.0	2	valve

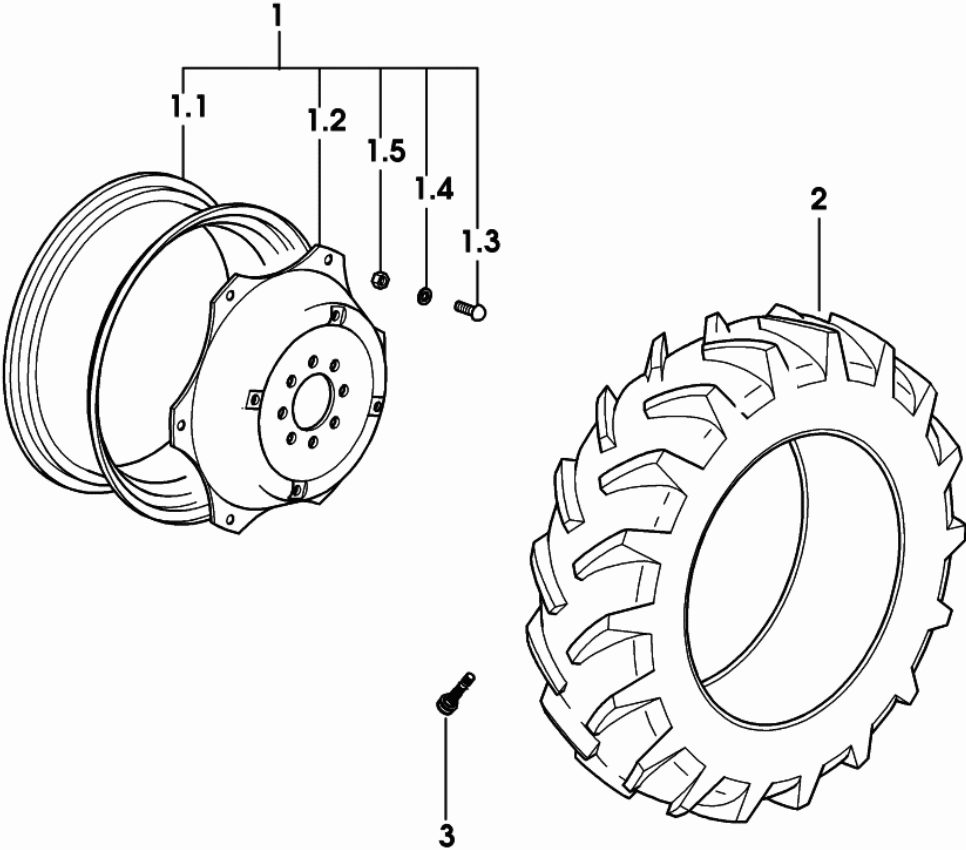
Section: WHEELS
WHEELS 405/70R20"

Fig.	Code	QTY	Name
1	0.000.0000.1	0	not serviceable
1.1	0.012.2976.3	1	rim DWW 12x30" C/ST
1.2	0.258.5551.0	1	rim center flange
1.3	2.0399.030.6	6	screw m 18 p.1.5x45
1.4	2.1499.018.6	6	conical washer 18x35.5
1.5	2.1011.310.6	6	nut m 18 p.1.5
2	2.4811.069.0	2	tyre 14.9R-30" a8
3	0.012.6364.0	2	valve



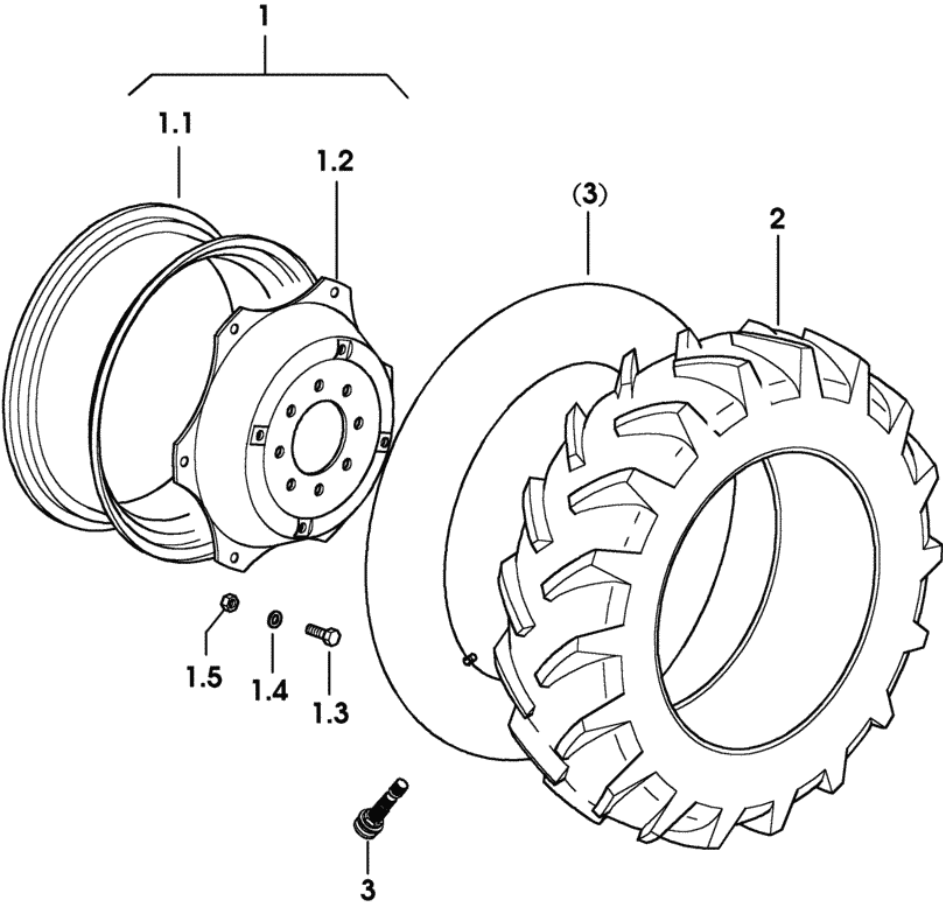
Section: WHEELS
WHEELS 14.9R-30" a8

Fig.	Code	QTY	Name
1	0.000.0000.1	0	not serviceable
1.1	0.012.2976.3	1	rim DWW 12x30" C/ST
1.2	0.258.5551.0	1	rim center flange
1.3	2.0399.030.6	6	screw m 18 p.1.5x45
1.4	2.1499.018.6	6	conical washer 18x35.5
1.5	2.1011.310.6	6	nut m 18 p.1.5
2	2.4811.069.0	2	tyre 14.9R-30" a8
3	0.012.6364.0	2	valve



Section: WHEELS
WHEELS 14.9R-30" a8

Fig.	Code	QTY	Name
1	0.000.0000.1	0	not serviceable
1.1	0.012.2976.3	1	rim DWW 12x30" C/ST
1.2	0.258.5551.0	1	rim center flange
1.3	2.0399.030.6	6	screw m 18 p.1.5x45
1.4	2.1499.018.6	6	conical washer 18x35.5
1.5	2.1011.310.6	6	nut m 18 p.1.5
2	2.4811.069.0	2	tyre 14.9R-30" a8
3	0.012.6364.0	2	valve



9_49455_40_0_0

Section: WHEELS
WHEELS 16.9R-30" pr 6

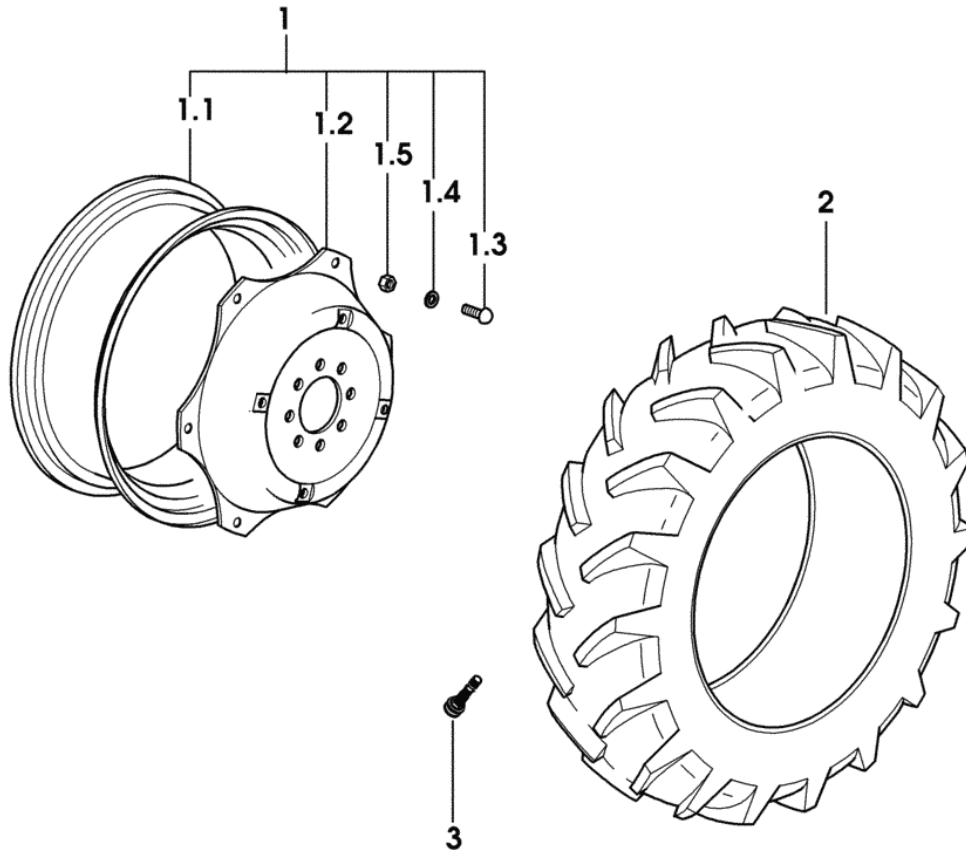


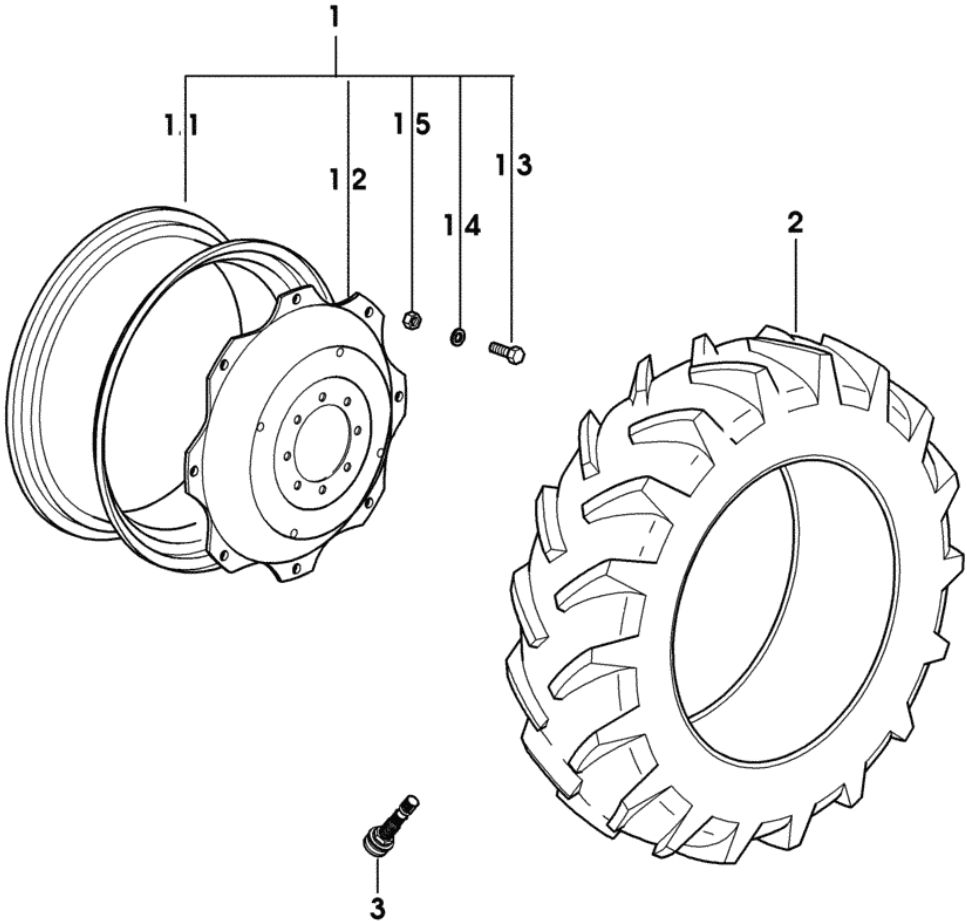
Fig.	Code	QTY	Name
1	0.000.0000.1	0	not serviceable
1.1	0.012.3029.3/10	1	rim DWW15Lx30" C/ST
1.2	0.258.5551.0	1	rim center flange
1.3	2.0399.030.6	6	screw m 18 p.1.5x45
1.4	2.1499.018.6	6	conical washer 18x35.5
1.5	2.1011.310.6	6	nut m 18 p.1.5
2	2.4811.055.0	2	tyre 16.9R-30" a8
3	0.012.6364.0	2	valve

Section: WHEELS
WHEELS 16.9R-30" a8

Fig.	Code	QTY	Name
------	------	-----	------

Notes:
 1120 <- X EXPLORER 75 T 1093 <- X EXPLORER 85 T 1133 <- X EXPLORER 95 T

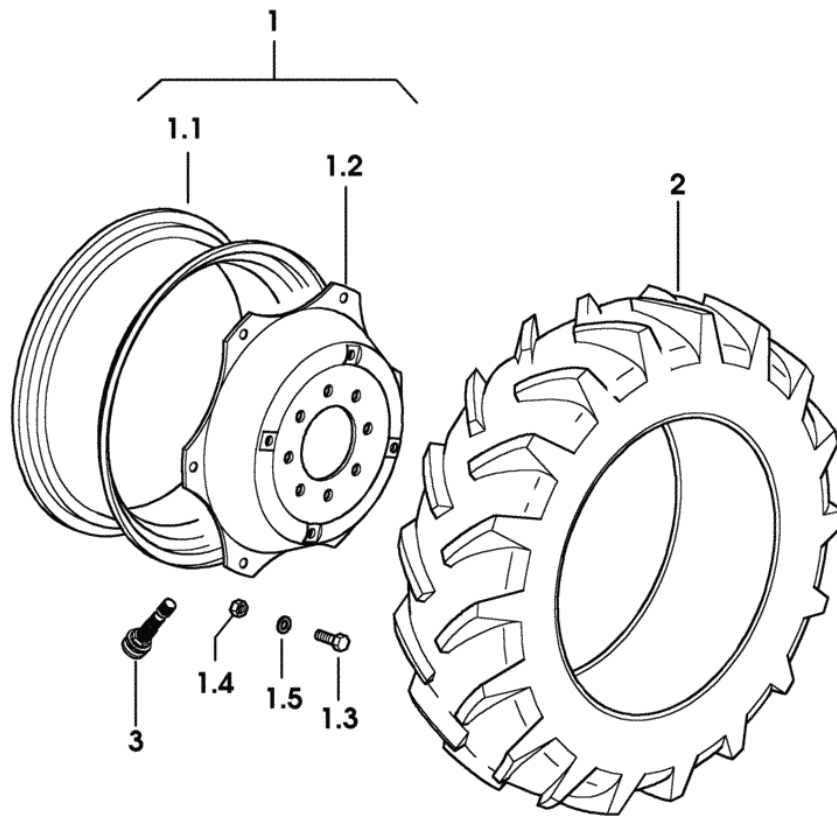
1	0.000.0000.1	0	not serviceable
1.1	0.012.2930.3/10	1	rim DWW 15Lx30" C/ST.
1.2	0.135.5526.0/20	1	rim center flange
1.3	2.0399.204.6/10	8	screw m 18 p.1.5x80
1.4	2.1499.018.6	8	conical washer 18x35.5
1.5	2.1019.060.6	8	nut m 18 p.1.5
2	2.4811.055.0	2	tyre 16.9R-30" a8
3	0.012.6364.0	2	valve



9_65655_40_0_0

Section: WHEELS
WHEELS 18.4R-30" a8

Fig.	Code	QTY	Name
1	0.000.0000.1	0	not serviceable
1.1	0.012.2930.3/10	1	rim DWW 15Lx30" C/ST.
1.2	0.135.5526.0/20	1	rim center flange
1.3	2.0399.204.6/10	8	screw m 18 p.1.5x80
1.4	2.1499.018.6	8	conical washer 18x35.5
1.5	2.1019.060.6	8	nut m 18 p.1.5
2	2.4811.064.0	2	tyre 18.4R-30" a8
3	0.012.6364.0	2	valve

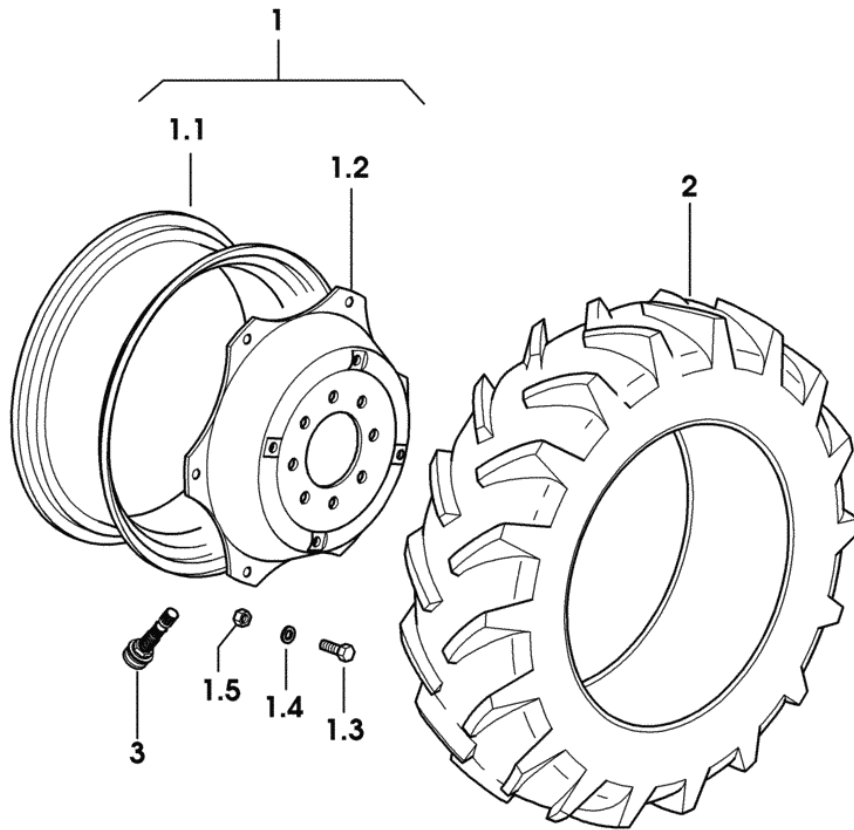


Section: WHEELS
WHEELS 14.9R-30" a8

Fig.	Code	QTY	Name
------	------	-----	------

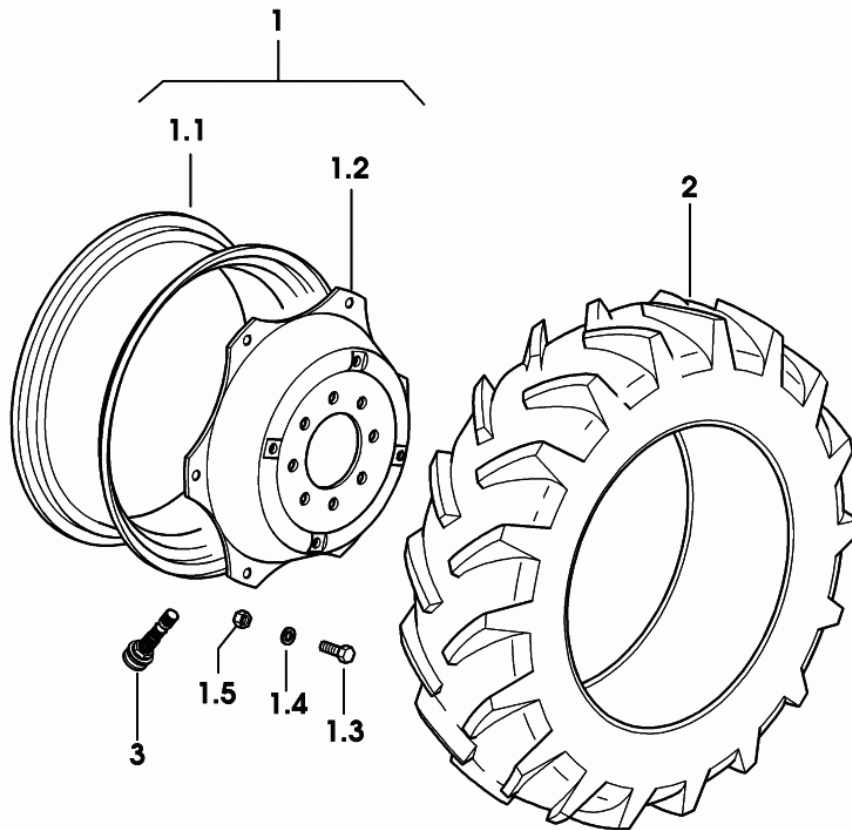
Notes:
 1120 <- X EXPLORER 75 T

1	0.000.0000.1	0	not serviceable
1.1	0.012.2976.3	1	rim DWW 12x30" C/ST
1.2	0.258.5551.0	1	rim center flange
1.3	2.0399.030.6	6	screw m 18 p.1.5x45
1.4	2.1499.018.6	6	conical washer 18x35.5
1.5	2.1011.310.6	6	nut m 18 p.1.5
2	2.4811.069.0	2	tyre 14.9R-30" a8
3	0.012.6364.0	2	valve



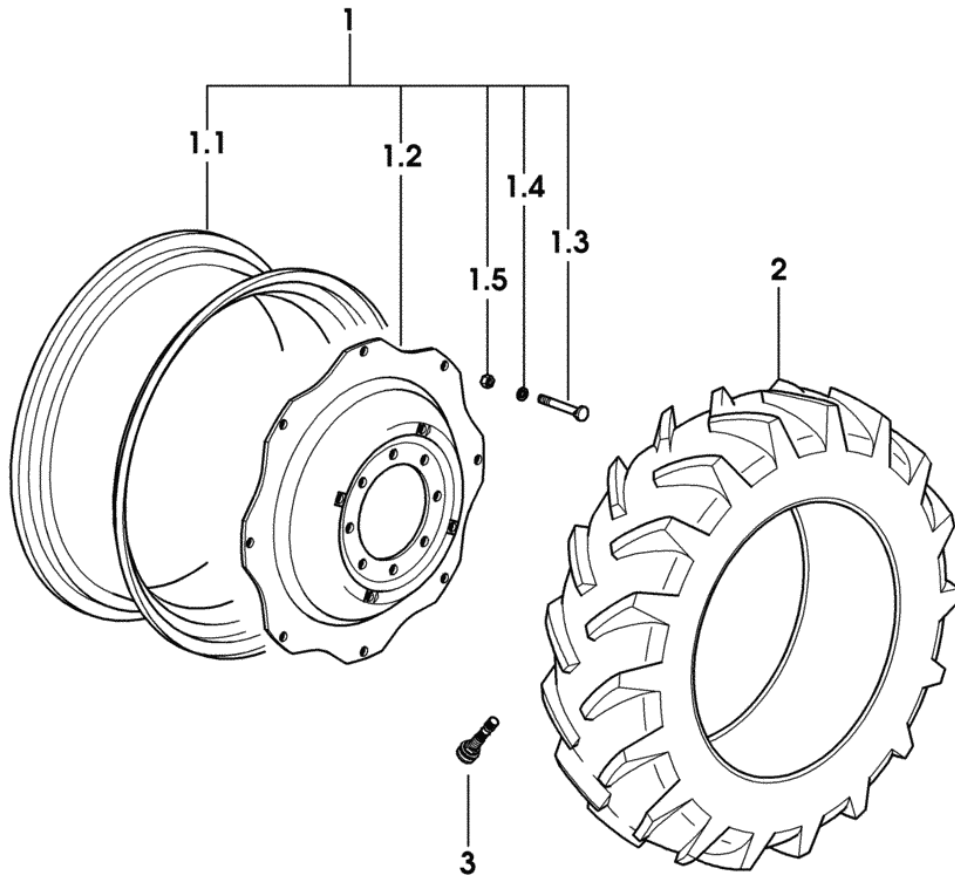
Section: WHEELS
WHEELS 420/70R-30" a8

Fig.	Code	QTY	Name
1	0.000.0000.1	0	not serviceable
1.1	0.012.2976.3	1	rim DWW 12x30" C/ST
1.2	0.258.5551.0	1	rim center flange
1.3	2.0399.030.6	6	screw m 18 p.1.5x45
1.4	2.1499.018.6	6	conical washer 18x35.5
1.5	2.1011.310.6	6	nut m 18 p.1.5
2	2.4811.091.0	2	tyre 420/70R-30" a8
3	0.012.6364.0	2	valve



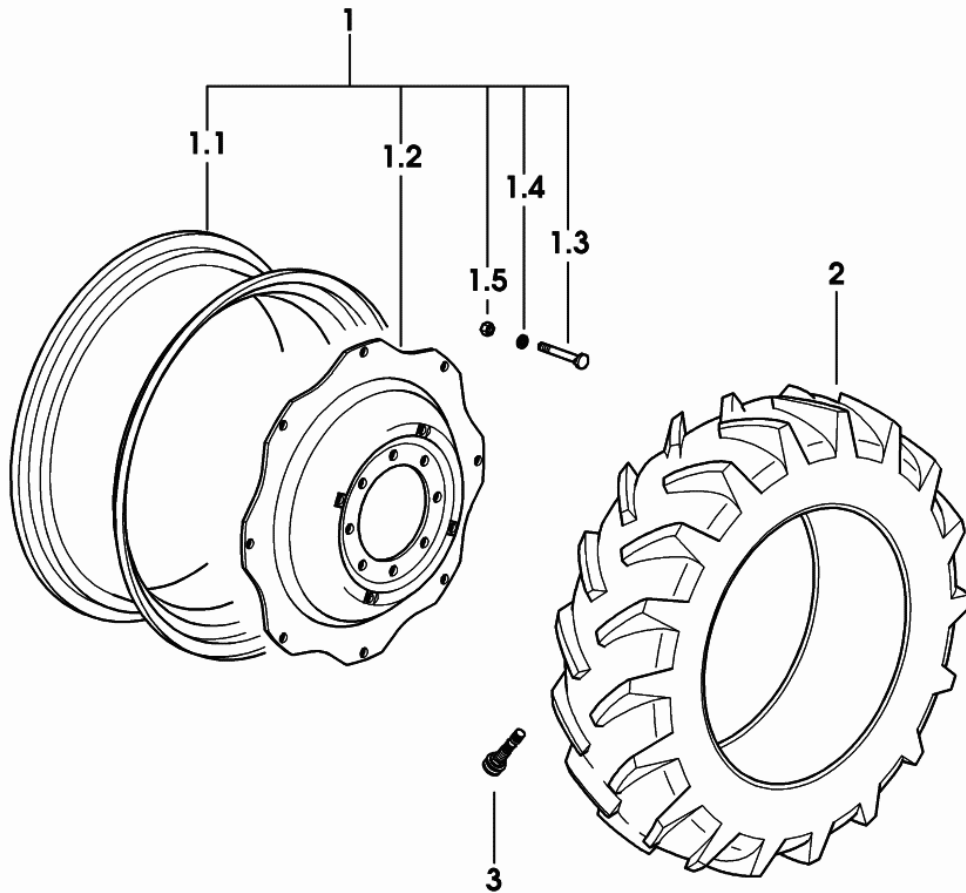
Section: WHEELS
WHEELS 16.9R-34" a8

Fig.	Code	QTY	Name
1	0.000.0000.1	0	not serviceable
1.1	0.011.8127.3	1	rim DWW 15LX34" C/ST.
1.2	0.155.5553.0/20	1	rim center flange
1.3	2.0399.204.6/10	8	screw m 18 p.1.5x80
1.4	2.1499.018.6	8	conical washer 18x35.5
1.5	2.1019.060.6	8	nut m 18 p.1.5
2	2.4811.062.0	2	tyre 16.9R-34" a8
3	0.012.6364.0	2	valve



Section: WHEELS
WHEELS 12.4R-36" a8

Fig.	Code	QTY	Name
1	0.000.0000.1	0	not serviceable
1.1	0.011.6571.3	1	rim W 10x36" C/ST
1.2	0.163.5526.0/10	1	rim center flange
1.3	2.0399.204.6/10	8	screw m 18 p.1.5x80
1.4	2.1499.018.6	8	conical washer 18x35.5
1.5	2.1019.060.6	8	nut m 18 p.1.5
2	2.4811.070.0	2	tyre 12.4R-36" a8
3	0.012.6364.0	2	valve



Section: WHEELS
WHEELS 13.6R-38" a8

Fig.	Code	QTY	Name
1	0.000.0000.1	0	not serviceable
1.1	0.012.2881.3	1	rim DWW 12X38" C/ST
1.2	0.163.5526.0/10	1	rim center flange
1.3	2.0399.204.6/10	8	screw m 18 p.1.5x80
1.4	2.1499.018.6	8	conical washer 18x35.5
1.5	2.1019.060.6	8	nut m 18 p.1.5
1.6	2.0122.617.6	6	screw m 16 p.1.5x45
1.7	2.1310.010.6	6	washer 17x30
1.8	2.1019.059.6	6	nut m 16 p.1.5x16
1.9	0.013.1110.0	1	flange
2	2.4811.061.0	2	tyre 13.6R-38" a8
3	0.012.6364.0	2	valve

